

TB7000/TB8000/TB9000
TN9110 P25 CG
TN9111 P25 TAG

Safety and Compliance Information

**Informations sur la conformité et
consignes de sécurité**

**Informações sobre segurança e
conformidade**

**Información sobre medidas de
seguridad y conformidad**

产品安全与符合性信息

MBA-00012-12 · 02/2018

Contact Information

Tait Communications Corporate Head Office

Tait Limited
P.O. Box 1645
Christchurch
New Zealand

For the address and telephone number of regional offices, refer to our website: www.taitradio.com

Para contactarnos

Oficina corporativa de Tait Communications

Tait Limited
P.O. Box 1645
Christchurch
Nueva Zelanda

Si desea obtener una lista de direcciones y números de teléfono de las oficinas regionales, visite nuestra página web: www.taitradio.com.

Coordonnées de Tait

Tait Communications Siège social

Tait Limited
P.O. Box 1645
Christchurch
Nouvelle-Zélande

Pour les adresses et numéros de téléphone des branches régionales, veuillez consulter notre site Internet: www.taitradio.com

公司总部

大吉有限公司	Tait Limited
邮政信箱: 1645	P.O. Box 1645
基督城	Christchurch
新西兰	New Zealand

有关各大区域分支机构的地址和电话, 请访问我们的网站: www.taitradio.com

Informação para contato

Tait Communications Sede Corporativa

Tait Limited
P.O. Box 1645
Christchurch
Nova Zelândia

Para endereço e telefone dos escritórios regionais consulte o site www.taitradio.com.

Important: Read carefully before use. Keep for future reference.

For the latest user documentation, visit <http://support.taitradio.com>.

Important: Veuillez lire ces informations avec attention avant toute utilisation.

Conservez-les à titre de référence.

Pour accéder aux manuels d'utilisation les plus récents, veuillez visiter <http://support.taitradio.com>.

Wichtig: Bitte dieses Dokument vor der Benutzung lesen und als zukünftige Referenz aufbewahren.

Die aktuelle Benutzerdokumentation finden Sie auf <http://support.taitradio.com>.

Importante: Leia com atenção antes de usar. Guarde para referência futura.

Para a documentação mais recente do usuário, por favor visite <http://support.taitradio.com>.

Importante: Leer detenidamente antes de usar. Mantener para referencia futura.

Para ver la documentación más reciente para el usuario, visite <http://support.taitradio.com>.

重要：使用之前应当认真阅读。保留妥当以供日后参考。

关于最新的用户文档，请访问 <http://support.taitradio.com>。

Copyright and Trademarks

All information contained in this document is the property of Tait Limited. All rights reserved. This document may not, in whole or in part, be copied, photocopied, reproduced, translated, stored, or reduced to any electronic medium or machine-readable form, without prior written permission from Tait Limited.

The word TAIT and the TAIT logo are trademarks of Tait Limited.

All trade names referenced are the service mark, trademark or registered trademark of the respective manufacturers.

Disclaimer

There are no warranties extended or granted by this document. Tait Limited accepts no responsibility for damage arising from use of the information contained in the document or of the equipment and software it describes. It is the responsibility of the user to ensure that use of such information, equipment and software complies with the laws, rules and regulations of the applicable jurisdictions.

Enquiries and Comments

If you have any enquiries regarding this document, or any comments, suggestions and notifications of errors, please contact your regional Tait office.

Updates of Manual and Equipment

In the interests of improving the performance, reliability or servicing of the equipment, Tait Limited reserves the right to update the equipment or this document or both without prior notice.

Intellectual Property Rights

This product may be protected by one or more patents or designs of Tait Limited together with their international equivalents, pending patent or design applications, and registered trade marks: NZ409837, NZ409838, NZ415277, NZ415278, NZ530819, NZ534475, NZ547713, NZ577009, NZ579051, NZ579364, NZ586889, NZ610563, NZ615954, NZ700387, NZ708662, NZ710766, NZ711325, NZ726313, NZ593887, AU2015215962, AU339127, AU339391, AU2016259281, AU2016902579, EU000915475-0001, EU000915475-0002, GB2532863, US14/834609 Div. no 1, US15/346518 Div.no 2, US15/350332, US15/387026 Div., US20150085799, US20160044572, US20160057051, US640974, US640977, US698339, US702666, US7758996, US8902804, US9107231, US9504034, US9559967.

TB7300 and TB9300 only: This product may also be made under license under one or more of the following patents:

- US7203207, AU2004246135, CA2527142, GB2418107, HK1082608, MY134526, US8306071
- US7339917, AU2004246136, CA2526926, GB2418812, MY134217
- US7499441, AU2005262626, CA2570441, GB2430333, JP4690397, NZ551231, KR100869043, RU2351080, BRP10512052, MXPA06015241
- US 7200129, AU2005226531, CA2558551, CN1930809, GB2429378, JP4351720, BRP10508671, NZ549124, KR848483, RU2321952

TB7300, TB9100, TB9300, TB9400 and gateways only: The IMBE™ (TB9100 and gateways) and AMBE+2™ (TB7300, TB9300 and TB9400) voice coding Technology embodied in this product is protected by intellectual property rights including patent rights, copyrights and trade secrets of Digital Voice Systems, Inc. This voice coding Technology is licensed solely for use within this Communications Equipment. The user of this Technology is explicitly prohibited from attempting to decompile, reverse engineer, or disassemble the Object Code, or in any other way convert the Object Code into a human-readable form.

Environmental Responsibilities

Tait Limited is an environmentally responsible company which supports waste minimization, material recovery and restrictions in the use of hazardous materials.



The European Union's Waste Electrical and Electronic Equipment (WEEE) Directive requires that this product be disposed of separately from the general waste stream when its service life is over. For more information about how to dispose of your unwanted Tait product, visit the Tait WEEE website at www.taitradio.com/weee. Please be environmentally responsible and dispose through the original supplier, or contact Tait Limited.

Tait Limited also complies with the Restriction of the Use of Certain Hazardous Substances in Electrical and Electronic Equipment (RoHS) Directive in the European Union.

In China, we comply with the Measures for Administration of the Pollution Control of Electronic Information Products. We will comply with environmental requirements in other markets as they are introduced.

About this Document

This document provides general safety and regulatory information only. Please read the Installation and Operation Manual before attempting to install or operate the equipment.

General Safety

Personal Safety

Unpacking and Moving the Equipment (except TB7100 and TB7300)

To prevent personal injury and equipment damage, we recommend that two people unpack and move the equipment.



Caution A subrack complete with modules can weigh up to 62lb (28kg), or up to 66lb (30kg) complete with packaging. We recommend that you have another person help you unpack and move the equipment. The TBAA03-16 carrying handles will make it easier to move the subrack once it has been unpacked. If necessary, remove the modules from the subrack before moving it (refer to the Installation and Operation Manual). In all cases follow safe lifting practices.

Lethal Voltages



Warning The PMU and TB7100 optional AC power supply unit contain voltages that may be lethal. Refer to the ratings label on the rear of the module.

Notice Before connecting to the TB7100 AC power connector, refer to the ratings label on the rear of the base station for its configured mains voltage.

The equipment must be installed so that the rear of the PMU or TB7100 is located in a service access area which is accessible only by qualified personnel. The PMU or TB7100 must be connected to the mains supply source by trained personnel in accordance with local and national regulations. The plug of the TB7100 AC power supply cord is intended as the disconnect device. Therefore, the socket-outlet must be installed near the equipment and must be readily accessible.

Disconnect the mains IEC connector and wait for five minutes for the internal voltages to self-discharge before dismantling. The AC power on/off switch does not isolate the PMU from the mains. It breaks only the phase circuit, not the neutral. Ensure that all TB7100 power sources (AC and DC) are disconnected before opening the base station.

The PMU and TB7100 AC power supply unit should be serviced only by qualified technicians. There are no user-replaceable parts inside. If the PMU or TB7100 AC power supply unit is damaged and does not function properly, stop the module safely and contact your regional Tait office immediately.

All servicing should be carried out only when the PMU or TB7100 AC power supply unit is powered through a mains isolating transformer of sufficient rating.

AC Power Connection

English (en)	The equipment must be connected to a grounded mains socket-outlet.
Norsk (no)	Apparatet må tilkoples jordet stikkontakt.
Suomi (fi)	Laite on liitettävä suojamaadoitus-koskettimilla varustettuun pistorasiaan.
Svenska (sv)	Apparaten skall anslutas till jordat uttag.

Explosive Environments



Warning Do not operate the equipment near electrical blasting caps or in an explosive atmosphere. Operating the equipment in these environments is a definite safety hazard.

Proximity to RF Transmissions

To comply with the RF Field Limits for Devices Used by the General Public for (Uncontrolled Environment)^a, a safe separation distance of at least 3.6 metres (12 feet) from the antenna system should be maintained.

This figure is calculated for a typical installation, employing one 100W base station transmitter. Other configurations, including installations at multi-transmitter sites, must be installed so that they comply with the relevant RF exposure standards.

- a. Reference Standards
 - Health Canada's Safety Code 6: *Limits of Human Exposure to Radiofrequency Electromagnetic Energy in the Frequency Range from 3kHz to 300GHz.*
 - USA Federal Communications Commission OET bulletin 65 (47CFR 1.1310).
 - IEEE C95.1 2005: *Standard for Safety Levels with Respect to Human Exposure to Radio Frequency Electromagnetic Fields, 3kHz to 300GHz.*

High Temperatures

Take care when handling a PMU, PA, TB7100 or TB7300 which has been operating recently. Under extreme operating conditions (+140°F [+60°C] ambient air temperature) or high duty cycles, the external surfaces of the modules can reach temperatures of up to +176°F (+80°C).

LED Safety (EN60825-1)

This equipment contains Class 1 LED Products.

Equipment Safety

Installation and Servicing Personnel

The equipment should be installed and serviced only by qualified personnel.

Antenna Load

The base station has been designed to operate safely under a wide range of antenna loading conditions. Transmitting into a low VSWR will maximise the power delivered to the antenna.

Notice Do not remove the load from the PA while it is transmitting.

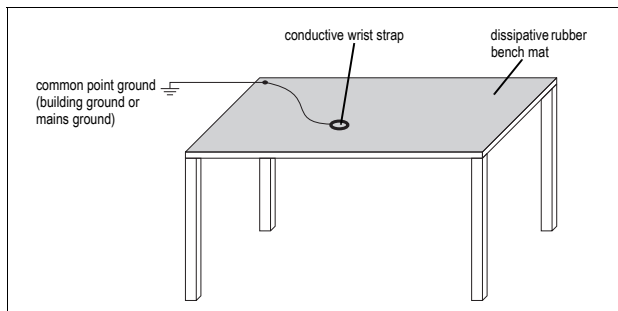
Load transients (switching or removing the load) can damage the PA output stage.

ESD Precautions

Notice Before opening any module, make sure that you take proper precautions against electrostatic discharge. This equipment contains devices that are susceptible to damage from static charges. You must handle these devices carefully and according to the procedures described in the manufacturers' data books.

We recommend you purchase an antistatic bench kit from a reputable manufacturer and install and test it according to the manufacturer's instructions. The following diagram shows a typical antistatic bench set-up.

Typical antistatic bench set-up



You can obtain further information on antistatic precautions and the dangers of electrostatic discharge (ESD) from standards such as ANSI/ESD S20.20-1999 or BS EN 100015-4 1994.

Environmental Conditions

Operating Temperature Range

The operating temperature range of the 40W and 50W TB7100 base stations is -22°F to $+122^{\circ}\text{F}$ (-30°C to $+50^{\circ}\text{C}$) ambient temperature. The operating temperature range of all other equipment is -22°F to $+140^{\circ}\text{F}$ (-30°C to $+60^{\circ}\text{C}$) ambient temperature. Ambient temperature is defined as the temperature of the air at the intake to the cooling fans.

Humidity

The humidity should not exceed 95% relative humidity through the specified operating temperature range.

Dust and Dirt

For uncontrolled environments, the level of airborne particulates must not exceed $100\mu\text{g}/\text{m}^3$.

Grounding and Lightning Protection

Electrical Ground (except TB7100 and TB7300)

The modules are grounded by physical contact between the module case and the subrack. To ensure a good ground connection you must tighten each module retaining clamp securely (refer to the section “Final Reassembly” in the Installation and Operation Manual for the correct torque setting).

A threaded grounding connector is provided on the rear of the subrack for connection to the site ground point (refer to the section on connecting the base station in the Installation and Operation Manual for more details).

Electrical Ground (TB7100 and TB7300 only)

A threaded grounding connector is provided on the rear of the tray for connection to the site ground point (refer to the section on connecting the base station in the Installation and Operation Manual for more details).

Lightning Ground

It is extremely important for the security of the site and its equipment that you take adequate precautions against lightning strike. While it is outside the scope of this manual to provide comprehensive information on this subject, we recommend that you conform to your country’s standards organization or regulatory body.

Equipment Ventilation

Always ensure there is adequate ventilation around the equipment.

Notice Do not operate it in a sealed cabinet. You **must** keep the ambient temperature within the specified range, and we **strongly** recommended that you ensure that the cooling airflow is not restricted.

Notice All products except TB7100 and TB7300:
Cooling fans are mounted on the front panel and will only operate when the panel is fitted correctly to the front of the subrack. To ensure adequate airflow through the equipment, do not operate it for more than a few minutes with the front panel removed (e.g. for servicing purposes).

Notice TB7100 and TB7300 only:
Cooling fans are mounted behind the front panel. To ensure adequate airflow through the base station, do not operate it for more than a few minutes with the fans disconnected (e.g. for servicing purposes).

PMU

The only controls on the PMU are the on/off switches on the rear panel for the AC and DC modules, and the indicator LEDs visible through a slot in the front panel.



Warning These switches do not totally isolate the internal circuitry of the PMU from the AC or DC power supplies. You must disconnect the AC and DC supplies from the PMU before disman-

ting or carrying out any maintenance. Refer to the service manual for the correct servicing procedures.

AC Module On/Off Switch This switch turns the AC input to the PMU on and off. Note that this switch breaks only the phase circuit, not the neutral.

DC Module On/Off Switch This switch turns the DC output from the PMU on and off. It is recessed to prevent the DC module being accidentally switched off, thus disabling the battery back-up supply.

Note that this switch does not disconnect power from the DC converter itself. It disables the converter by switching off its control circuitry. Even when the DC converter is off, the DC input is still connected to its power circuitry.

Replacing Modules



Caution The 100W PA and PMU weigh between 9.3lb (4.2kg) and 15.4lb (7kg) each. Take care when handling these modules to avoid personal injury.

Device and Network Security

If this radio network equipment is used for mission-critical applications, it is important to be able to ensure security and continuity of operation. For IP-network-connected equipment, it is also important to ensure that this equipment is not a means of compromising other equipment in the network.

All network elements should be physically secured, where possible. This includes the use of locked cabinets and locked rooms. Seals on connectors can also provide a visual indication of unauthorized tampering.

Tait recommends that all network and audio connectors should be sealed with the stick-on type of seal. The seal should reveal if any of the connectors have been unplugged, or if any unauthorized equipment has been plugged in.

The seals should be difficult to remove without breaking, and should bridge between the cable and equipment side (plug and socket) of the connection.

Seals should cover any unused network or audio sockets. This includes the Ethernet connector on any adaptor front panels, any spare switch ports, and the console port on the router and switch.

The seals should be difficult to reproduce. A sticker initialed or signed by the technician should satisfy this.

Seals must be replaced if they need to be disturbed during maintenance.

Regulatory Information

Distress Frequencies	The 406 to 406.1 MHz frequency range is reserved worldwide for use by Distress Beacons. Do not program transmitters to operate in this frequency range.
FCC Compliance	<p>This equipment complies with:</p> <ul style="list-style-type: none"> ■ CFR Title 47 Part 15 Class B (except PMU): <p>Radiated and conducted emissions, and electromagnetic susceptibility specifications of the Federal Communications Commission (FCC) rules for the United States.</p> <p>Operation is subject to the following two conditions:</p> <ol style="list-style-type: none"> a. This device may not cause harmful interference, and b. This device must accept any interference received, including interference that may cause undesired operation. ■ CFR Title 47 Part 15 Class A (PMU only): <p>Radiated and conducted emissions, and electromagnetic susceptibility specifications of the Federal Communications Commission (FCC) rules for the United States.</p> <p>Operation is subject to the following two conditions:</p> <ol style="list-style-type: none"> a. This device may not cause harmful interference, and b. This device must accept any interference received, including interference that may cause undesired operation. ■ CFR Title 47 Part 90 Subpart R (TB9100 only): <p>The use of frequencies in the 764 to 776 MHz and 794 to 806 MHz bands. The equipment can be set up to comply with the requirement of §90.553 (a) of 47 CFR. This states that:</p> <ol style="list-style-type: none"> a. Encryption is not permitted on the nationwide Interoperability calling channels. These channels are defined in §90.531 (b) (1) (ii). b. Encryption can be disabled by the user, if required.
Unauthorized Modifications	Any modifications you make to this equipment which are not authorized by Tait Limited may invalidate your approval to operate the equipment.
Health, Safety and Electromagnetic Compatibility in Europe	In the European Community, radio and telecommunications equipment is regulated by Directive 2014/53/EU. The requirements of this directive include protection of health and safety of users, as well as electromagnetic compatibility.
Intended Purpose of Product	<p>Notice All base stations:</p> <p>This product is a radio transceiver. It is intended for radio-communication in the Private Mobile Radio (PMR) or Public Access Mobile Radio (PAMR) services, to be used in all member states of the European Union (EU) and states within the European Economic Area (EEA). This product can be programmed to transmit on frequencies that are not harmo-</p>

nized throughout the EU/EEA, and will require a licence to operate in each member state.

Notice All gateways:

This product is intended for radio-communication in the Private Mobile Radio (PMR) or Public Access Mobile Radio (PAMR) services, to be used in all member states of the European Union (EU) and states within the European Economic Area (EEA).

**For Customers in
Luxembourg
(TB7100 only)**

This equipment must not be operated as a data repeater in Luxembourg unless it is used in conjunction with an approved Channel Access Controller that meets the requirements of ETSI standard EN 300 471.

**Declaration of
Conformity**

You can download the formal Declaration of Conformity from www.taitradio.com/eudoc.

Copyright et marques déposées

Toutes les informations contenues dans ce document sont la propriété de Tait Limited. Tous droits réservés. Il est interdit de copier, photocopier, reproduire, traduire, enregistrer ce manuel en tout ou en partie et de le réduire entièrement ou partiellement à un support électronique ou à une forme lisible par les ordinateurs sans l'autorisation écrite préalable de Tait Limited.

Le mot TAIT et le logo TAIT sont des marques déposées de Tait Limited.

Tous les noms de marque mentionnés correspondent aux marques de service, marques commerciales ou marques déposées des fabricants respectifs.

Clause de non responsabilité

Ce document ne comprend aucune prolongation de garantie et n'octroie aucune garantie. Tait Limited se dégage de toute responsabilité pour tout dommage découlant de l'utilisation des informations contenues dans ce document ou de l'équipement et du logiciel qui y sont décrits. Il incombe à l'utilisateur de vérifier que l'utilisation de ces informations, équipements et logiciels est conforme aux lois, réglementations et règlements des juridictions compétentes.

Questions et commentaire

Pour toute question concernant ce document ou pour tout commentaire, suggestion ou communication d'erreurs, veuillez vous adresser à votre succursale Tait régionale.

Mises à jour du manuel et de l'équipement

Dans le but d'améliorer la performance, la fiabilité et l'entretien, Tait Limited se réserve le droit de mettre à jour son équipement et/ou ce document sans notification préalable.

Droits de propriété intellectuelle

Il se peut que ce produit soit protégé par un ou plusieurs brevets ou conceptions de Tait Limited ainsi que leurs équivalents internationaux, des demandes de brevet d'invention ou de conception en cour et des marques déposées : NZ409837, NZ409838, NZ415277, NZ415278, NZ530819, NZ534475, NZ547713, NZ577009, NZ579051, NZ579364, NZ586889, NZ610563, NZ615954, NZ700387, NZ708662, NZ710766, NZ711325, NZ726313, NZ593887, AU2015215962, AU339127, AU339391, AU2016259281, AU2016902579, EU000915475-0001, EU000915475-0002, GB2532863, US14/834609 Div. no 1, US15/346518 Div.no 2, US15/350332, US15/387026 Div., US20150085799, US20160044572,

US20160057051, US640974, US640977, US698339, US702666, US7758996, US8902804, US9107231, US9504034, US9559967.

TB7300 et TB9300 uniquement: TB7300, Ce produit peut également être réalisé sous licence au titre de l'un ou de plusieurs des brevets suivants :
- US7203207, AU2004246135, CA2527142, GB2418107, HK1082608, MY134526, US8306071

- US7339917, AU2004246136, CA2526926, GB2418812, MY134217
- US7499441, AU2005262626, CA2570441, GB2430333, JP4690397, NZ551231, KR100869043, RU2351080, BRP10512052, MXPA06015241
- US 7200129, AU2005226531, CA2558551, CN1930809, GB2429378, JP4351720, BRP10508671, NZ549124, KR848483, RU2321952

TB7300, TB9100, TB9300, TB9400 et passerelles uniquement: La technologie de codage vocal IMBETM (TB9100 et passerelles) et AMBE+2TM (TB7300, TB9300 et TB9400) intégrée dans ce produit est protégée par des droits de propriété intellectuelle et notamment les droits de brevet, copyrights et secrets industriels de la société Digital Voice Systems, Inc. Cette technologie de codage vocal est cédée sous licence uniquement pour être utilisé sur cet équipement de communication. Il est strictement interdit et l'utilisateur de cette technologie s'engage à respecter cette interdiction, d'essayer de décompiler, faire de l'ingénierie inverse ou désassembler le code exécutable, ou de convertir de quelque façon que ce soit le code exécutable en une forme déchiffrable.

Responsabilités en matière d'environnement

Tait Limited est une société respectueuse de l'environnement qui apporte son soutien à la minimisation des déchets et à la récupération des matériaux.



Selon la Directive de l'Union européenne relative à l'élimination des déchets d'équipements, ce produit doit être éliminé séparément et ne doit pas être jeté avec les ordures ménagères lorsqu'il arrive en fin de vie. Pour plus d'informations sur la procédure à respecter pour éliminer le produit Tait en fin de vie, rendez-vous sur le site Internet de Tait www.taitradio.com/weee. Veuillez respecter l'environnement et éliminez ce produit par l'intermédiaire de votre fournisseur ou contactez Tait Limited.

Tait Limited respecte également la Directive concernant l'utilisation limitée de certaines substances dangereuses sur les appareils électriques et électroniques (RoHS) au sein de l'Union Européenne.

En Chine, nous respectons les mesures relatives à la gestion du Contrôle de la pollution par les produits électroniques. Nous respectons également les exigences liées à l'environnement sur les différents marchés, sur lesquels nous lançons nos produits.

A propos du présent document

Ce document fournit des informations générales sur la réglementation et la sécurité uniquement. Merci de lire le manuel d'installation et d'utilisation avant de commencer à installer ou utiliser l'équipement.

Sécurité générale

Sécurité des personnes

Déballer et déplacer l'équipement (sauf pour la TB7100 et la TB7300

Afin de prévenir toute blessure corporelle et d'éviter d'endommager l'équipement, nous vous recommandons d'effectuer le déballage et le déplacement de l'équipement à deux personnes.



Attention Un rack complet avec des modules peut peser jusqu'à 28kg ou jusqu'à 30kg avec l'emballage. Nous vous recommandons de demander à quelqu'un autre de vous aider à déballer et déplacer l'équipement. Les poignées TBAA03-16 permettent de déplacer plus facilement le rack une fois qu'il est déballé. Si nécessaire, retirez les modules du rack avant d'essayer de le déplacer (veuillez vous référer au manuel d'installation et d'utilisation). Dans tous les cas, adoptez une méthode de levage sans risque.

Haute tension - Danger de mort



Avertissement Des tensions constituant un danger de mort sont présentes dans l'UGA et dans l'unité d'alimentation secteur (en option) de la TB7100. Veuillez vous référer à l'étiquette des caractéristiques nominales figurant à l'arrière du module.

Avis Avant la connexion au connecteur d'alimentation secteur de la TB7100, référez-vous à l'étiquette de tension nominale à l'arrière de la station de base pour sa tension secteur configurée.

L'équipement doit être installé de telle sorte que l'arrière de l'UGA ou de la TB7100 se trouve dans une zone où seul le personnel qualifié peut en effectuer l'entretien. L'UGA ou la TB7100 doit être connectée à l'alimentation secteur par un électricien qualifié conformément à la réglementation locale et nationale. La prise du cordon d'alimentation secteur de la TB7100 permet de le déconnecter. Donc, il faut installer la prise de courant près de l'équipement et elle doit être d'un accès facile.

Débranchez le connecteur secteur CEI et attendez cinq minutes pour permettre l'autodécharge des tensions internes avant de procéder au démontage. Le commutateur de marche/arrêt CA n'isole pas l'UGA du secteur. Il coupe uniquement le circuit de phase, pas le neutre. Veillez à ce que toutes les sources d'alimentation de la TB7100 (CA et CC) soient déconnectées avant d'ouvrir la station de base.

L'entretien et les réparations de l'UGA et de l'unité d'alimentation secteur de la TB7100 doivent être effectués uniquement par des techniciens qualifiés. Elles n'ont aucune pièce qui puisse être remplacée par l'utilisateur. En cas d'endommagement ou de dysfonctionnement de l'UGA

ou de l'unité d'alimentation secteur de la TB7100, arrêtez le module avec précaution et contactez immédiatement votre représentant Tait ou service clientèle le plus proche.

Toutes les tâches d'entretien et de réparation doivent être réalisées uniquement lorsque l'UGA ou l'unité d'alimentation secteur de la TB7100 est alimentée par un transformateur d'isolation d'une puissance suffisante.

L'équipement doit être branché à une prise secteur mise à la terre.

Connexion alimentation CA

Environnements explosifs



Avertissement Ne pas utiliser l'équipement à proximité de détonateurs électriques ni dans une atmosphère explosive. L'utilisation de l'équipement dans de tels environnements constitue un réel risque pour la sécurité.

A proximité des émissions RF

Pour respecter les limites imposées au champ RF au niveau des équipements utilisés par le grand public (environnement non contrôlé)^a, une distance de séparation de sécurité d'au moins 3.6 mètres du bloc d'antenne devrait être observée.

Ce nombre est calculé pour une installation typique, ayant un émetteur de station de base de 100 W. D'autres configurations, incluant les installations ayant des sites de plusieurs émetteurs, doivent être installées de façon à se conformer aux normes pertinentes des expositions RF.

a. Normes de référence

Code de sécurité 6 de Santé Canada: *Limites d'exposition humaine à l'énergie électromagnétique radioélectrique dans la gamme de fréquences de 3kHz à 300GHz.*

Commission fédérale des communications (FCC) des Etats Unis d'Amérique bulletin OET numéro 65 (47CFR 1.1310).

IEEE C95.1 2005: *Norme pour les niveaux de sécurité compatibles avec l'exposition des personnes aux champs électromagnétiques de radiofréquence 3kHz à 300GHz.*

Températures élevées

Prendre des précautions particulières lors de la manipulation d'une UGA, d'un ampli, d'une TB7100 ou d'une TB7300 qui vient d'être utilisé. Dans des conditions extrêmes de fonctionnement (température ambiante +60°C [+140°F]) ou en cas de cycles de fonctionnement élevé, les surfaces externes des modules peuvent atteindre des températures allant jusqu'à +80°C (+176°F).

Sécurité LED (EN60825-1)

Cet équipement contient des diodes électroluminescentes qui sont considérées comme des produits LED de classe 1.

Sécurité des équipements

Personnel technique

L'installation et les réparations de l'équipement doivent être effectuées uniquement par des techniciens qualifiés.

Charge d'antenne

La station de base a été conçue afin de fonctionner en toute sécurité sous une plage étendue de conditions de charge d'antenne. Le fait que la station de base transmet avec un faible VSWR (ROS Rapport d'Onde Stationnaire) augmente la puissance envoyée à l'antenne.

Précautions concernant les décharges électrostatiques

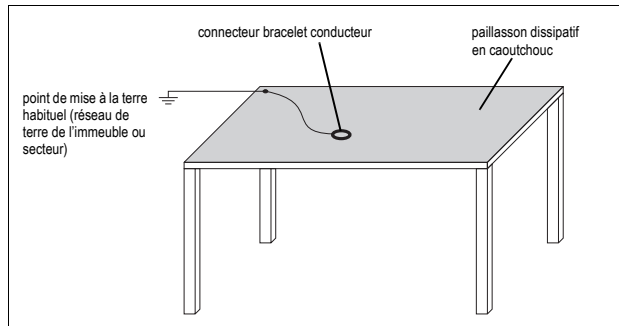
Avis Ne retirez pas la charge de l'ampli pendant qu'il transmet.

Les charges transitoires (commutation ou enlèvement de la charge) risquent d'endommager l'étage final de l'ampli.

Avis Avant d'ouvrir un module, assurez-vous que les précautions prises contre les décharges électrostatiques sont appropriées. Cet équipement contient des dispositifs que les charges électrostatiques sont susceptibles d'endommager. Vous devez manipuler ces dispositifs avec précaution et conformément à la documentation technique du fabricant.

Nous vous recommandons d'acheter un kit de banc antistatique d'une marque connue et de l'installer et le tester conformément aux instructions du fabricant. Le diagramme suivant représente la configuration typique d'un banc antistatique.

Configuration typique du banc antistatique



Vous pouvez obtenir des informations supplémentaires sur les mesures de protection contre l'électricité statique et les risques que représentent les décharges électrostatiques (ESD) dans les normes telles que ANSI/ESD S20.20-1999 ou BS EN 100015-4 1994.

Conditions ambiantes

Températures de service

Les stations de base TB7100 de 40 W et 50 W peuvent fonctionner à une température ambiante comprise entre -30°C et $+50^{\circ}\text{C}$ (-22°F et $+122^{\circ}\text{F}$). Les autres équipements peuvent fonctionner à une température ambiante comprise entre -30°C et $+60^{\circ}\text{C}$ (-22°F et $+140^{\circ}\text{F}$). Par température ambiante, on entend la température de l'air à l'admission des ventilateurs de refroidissement.

Humidité

L'humidité de service ne doit pas dépasser 95% d'humidité relative pour les températures de service spécifiées.

Poussière et saleté

Dans les environnements non contrôlés, le niveau de particules véhiculées par l'air ne doit pas dépasser $100\mu\text{g}/\text{m}^3$.

Mise à la terre et protection contre la foudre

Mise à la terre électrique (sauf pour la TB7100 et la TB7300)

Les modules sont mis à la terre par contact physique entre la boîte du module et le rack. Pour assurer une bonne connexion à la terre, vous devez serrer l'attache de chaque module avec soin (voir la section « Remontage final » dans le manuel d'installation et d'utilisation pour connaître le réglage du couple de torsion correct).

Un connecteur fileté de mise à la terre est fourni au dos du rack pour la connexion au point de mise à la terre du site (veuillez vous référer à la section sur connecter la station de base dans le manuel d'installation et d'utilisation pour plus de détails).

Mise à la terre électrique (TB7100 et TB7300 uniquement)

Un connecteur fileté de mise à la terre est fourni au dos du rack pour la connexion au point de mise à la terre du site (veuillez vous référer à la section sur connecter la station de base dans le manuel d'installation et d'utilisation pour plus de détails).

Protection contre la foudre

Il est essentiel que vous preniez les mesures nécessaires pour protéger le site et ses équipements contre la foudre. Parce que l'objectif de ce manuel n'est pas de fournir des informations complètes à ce sujet, nous vous recommandons de vous conformer aux recommandations de l'organisme de normalisation ou de réglementation de votre pays.

Ventilation des équipements

Veillez à ce que la ventilation autour de l'équipement soit toujours suffisante.

Avis Ne l'installez pas dans une armoire fermée. Vous devez veiller à ce que la température ambiante soit comprise dans la plage spécifiée et nous vous recommandons **vivement** de veiller également à ce que la circulation de l'air de refroidissement ne soit jamais entravée.

Avis Pour tous les produits sauf la TB7100 et la TB7300. : Les ventilateurs de refroidissement sont montés sur le panneau frontal et ne peuvent fonctionner qu'une fois que le panneau est correctement monté sur le devant du rack. Pour assurer une circulation adéquate de l'air dans tout l'équipement, ne la faites pas fonctionner pendant plus de quelques minutes lorsque le panneau avant est retiré (par exemple à des fins de réparation).

Avis TB7100 et TB7300 uniquement : Les ventilateurs de refroidissement sont montés derrière le panneau frontal. Pour assurer une circulation adéquate de l'air à travers la station de base, ne la faites pas fonctionner pendant plus de quelques minutes lorsque les ventilateurs sont déconnectés (par exemple à des fins d'entretien).

UGA

Les seules commandes de l'UGA sont les commutateurs de marche/arrêt du panneau arrière pour les modules CA et CC, et les voyants que l'on voit à travers une fente du panneau frontal.



Avertissement Ces commutateurs n'isolent pas totalement les circuits internes de l'UGA des alimentations CA ou CC. Vous devez déconnecter les alimentations CA et CC de l'UGA avant de la démonter ou d'effectuer tout travail de maintenance. Veuillez vous référer au manuel de réparation pour les procédures correctes d'entretien.

Commutateur de marche/arrêt du module CA

Ce commutateur permet de mettre l'entrée CA de l'UGA sous et hors tension. Veuillez noter que ce commutateur coupe uniquement le circuit de phase, pas le neutre.

Commutateur de marche/arrêt du module CC

Ce commutateur permet de mettre la sortie CC de l'UGA sous et hors tension. Il est encastré pour empêcher qu'il ne soit accidentellement mis en position arrêt, ce qui désactiverait l'alimentation de secours par batterie.

Veuillez noter que ce commutateur ne désactive que les circuits de commande. Le commutateur est désactivé en éteignant ses propres circuits de commande. Même si le commutateur CC est éteint, l'entrée CC reste connectée aux circuits d'alimentation.

Remplacement des modules



Attention L'ampli et l'UGA pèsent entre 4,2kg (9,3lb) et 7kg (15,4lb) chacun. Faites attention lorsque vous les manipulez afin de ne pas vous blesser.

Sécurité des équipements et du réseau

Si les équipements du réseau radio sont utilisés pour des applications aux informations critiques, il est important de s'assurer de la sécurité et de la continuité du fonctionnement du réseau. Pour les équipements connectés au réseau IP, il est aussi important de s'assurer qu'ils ne sont pas des moyens de compromettre d'autres équipements appartenant au réseau.

Tous les éléments réseau doivent être physiquement sécurisés, si possible. Ceci comprend l'utilisation d'armoires fermées à clé et de salles verrouillées. De plus l'installation de sceaux sur les connecteurs peut fournir une indication visuelle de sabotage ou de détecter toute intrusion non autorisée.

Tait recommande que tous les connecteurs audio et réseau soient scellés avec une protection de type « collé ». La protection doit permettre de repérer si l'un des connecteurs a été débranché ou si un équipement non autorisé a été branché.

Les protections devraient être difficiles à retirer sans risquer de les casser et elles devraient relier le câble et la partie latérale de l'équipement (fiche et prise) de la connexion.

Des protections devraient couvrir toutes les prises audio et réseau inutilisées. Ceci comprend le connecteur Ethernet et les connexions du panneau de commande frontal ainsi que tous les ports non utilisés des commutateurs (hub) ou routeurs du réseau.

Les protections devraient être difficiles à reproduire. Un autocollant comportant les initiales ou la signature du technicien doit garantir cela.

Les protections doivent être remplacées s'il est nécessaire de les retirer pendant l'entretien.

Informations légales

Fréquences de détresse

La bande de fréquences 406 à 406.1 MHz est réservée aux balises de détresse à l'échelle internationale. **Ne programmez pas** les émetteurs pour fonctionner sur cette bande de fréquences.

Conformité FCC

Cet équipement est conforme à :

- CFR Title 47 Part 15 Class B (sauf l'UGA) :
Spécifications de la susceptibilité électromagnétique et des émissions par conduction et rayonnées des règles de la Commission fédérale des communications (FCC) pour les Etats-Unis.
Le fonctionnement n'est autorisé qu'aux deux conditions suivantes :
 - a. le dispositif ne doit pas causer de brouillages préjudiciables et
 - b. il doit accepter les interférences reçues, y compris les interférences qui risquent de causer un fonctionnement indésirable.
- CFR Title 47 Part 15 Class A (UGA uniquement) :
Spécifications de la susceptibilité électromagnétique et des émissions par conduction et rayonnées des règles de la Commission fédérale des communications (FCC) pour les Etats-Unis.
Le fonctionnement n'est autorisé qu'aux deux conditions suivantes :
 - a. le dispositif ne doit pas causer de brouillages préjudiciables et
 - b. il doit accepter les interférences reçues, y compris les interférences qui risquent de causer un fonctionnement indésirable.
- CFR Title 47 Part 90 Subpart R (TB9100 uniquement) :
L'utilisation des fréquences dans les bandes 764 à 776MHz et 794 à 806MHz. L'équipement peut être paramétré pour se conformer aux exigences du §90.553 (a) du 47 CFR. Ce code établit que :
 - a. le chiffrement n'est pas autorisé sur les Canaux d'appel d'interopérabilité à l'échelle nationale. Ces canaux sont définis au §90.531 (b) (1) (ii).
 - b. Le chiffrement peut être désactivé par l'utilisateur, si nécessaire.

Modifications non autorisées

Toute modification du présent équipement sans l'autorisation de Tait Limited peut annuler l'autorisation d'utilisation de l'équipement.

Conformité aux normes sanitaires, électromagnétiques et de santé en vigueur en Europe

Dans la Communauté européenne, les équipements radio et de télécommunications sont réglementés par la Directive 2014/53/UE. Cette directive prévoit notamment la protection et la santé des utilisateurs, ainsi que la compatibilité électromagnétique.

Usage prévu

Avis Pour toutes les stations de base :

Ce produit est un émetteur-récepteur radio FM. Il est prévu pour la communication radio dans le cadre de radiocommunications mobiles pri-

vées (PMR) ou de services radiotéléphoniques mobiles publics (PAMR), pour une utilisation dans tous les états membres de l'Union européenne (UE) et les états dans l'Espace économique européen (EEE). Il est possible de programmer ce produit pour des fréquences ou émissions qui ne sont pas harmonisées partout dans l'UE/EEE, et qui nécessiteront une licence afin d'être utilisé dans chaque état membre.

Avis Pour toutes les passerelles :

Ce produit est prévu pour la communication radio dans le cadre de radiocommunications mobiles privées (PMR) ou de services radiotéléphoniques mobiles publics (PAMR), pour une utilisation dans tous les états membres de l'Union européenne (UE) et les états dans l'Espace économique européen (EEE).

Pour les clients en Luxembourg (TB7100 uniquement)

Cet équipement ne doit pas être utilisé en tant qu'un répéteur des signaux en Luxembourg à moins qu'il ne soit utilisé conjointement avec un Contrôleur d'accès aux canaux approuvé et conforme aux règlements de la norme ETSI EN 300 471.

Déclaration de conformité

Vous pouvez télécharger la Déclaration de conformité officielle à partir de l'adresse www.taitradio.com/eudoc.

Direitos autorais e marcas registradas

Todas as informações contidas neste manual são de propriedade da Tait Limited. Todos os direitos estão reservados. Este manual não pode ser parcial ou totalmente reproduzido, copiado, fotocopiado, traduzido, arquivado ou reduzido para um meio eletrônico ou ainda formato mecânico; sem uma prévia autorização por escrito da Tait Limited.

A palavra TAIT e o logotipo TAIT são marcas registradas da Tait Limited.

Todas as marcas referenciadas são marcas de serviço, marcas comerciais ou marcas registradas dos seus respectivos fabricantes.

Limite de responsabilidade

Este manual não concede, nem estende nenhuma garantia. A Tait Limited não aceita responsabilidade por danos decorridos do uso das informações contidas neste manual ou no equipamento e software aqui descritos. É da responsabilidade do usuário garantir que o uso de tais informações, equipamentos e softwares obedeçam leis, regras e regulamentos vigentes em seu país.

Perguntas e comentários

Se você tiver perguntas sobre este manual, ou comentários, sugestões ou ainda notificação de erros, por favor contate seu escritório Tait regional.

Atualizações do manual e do equipamento

No intuito de melhorar o desempenho, a confiabilidade ou a manutenção dos equipamentos, a Tait Limited reserva-se o direito de atualizar o equipamento, o manual ou ambos sem prévio aviso.

Direitos sobre propriedade intelectual

Este produto pode estar protegido por uma ou mais patentes ou projetos da Tait Limited junto com seus equivalentes internacionais, patentes pendentes ou projetos aplicativos e marcas registradas: NZ409837, NZ409838, NZ415277, NZ415278, NZ530819, NZ534475, NZ547713, NZ577009, NZ579051, NZ579364, NZ586889, NZ610563, NZ615954, NZ700387, NZ708662, NZ710766, NZ711325, NZ726313, NZ593887, AU2015215962, AU339127, AU339391, AU2016259281, AU2016902579, EU000915475-0001, EU000915475-0002, GB2532863, US14/834609 Div. no 1, US15/346518 Div.no 2, US15/350332, US15/387026 Div., US20150085799, US20160044572, US20160057051, US640974, US640977, US698339, US702666, US7758996, US8902804, US9107231, US9504034, US9559967.

Apenas TB7300 e TB9300: Este produto também pode estar sendo feito sob licença de uma ou mais dos seguintes patentes:

- US7203207, AU2004246135, CA2527142, GB2418107, HK1082608, MY134526, US8306071
 - US7339917, AU2004246136, CA2526926, GB2418812, MY134217
 - US7499441, AU2005262626, CA2570441, GB2430333, JP4690397, NZ551231, KR100869043, RU2351080, BRP10512052, MXPA06015241
 - US 7200129, AU2005226531, CA2558551, CN1930809, GB2429378, JP4351720, BRP10508671, NZ549124, KR848483, RU2321952

Apenas TB7300, TB9100, TB9300, TB9400 e gateways: Este produto também pode estar sendo feito sob licença de uma ou mais dos seguintes patentes americanas: 4.590.473 4.636.791 4.716.407 4.972.460 5.146.497 5.148.482 5.164.986 5.185.795 5.185.796 5.271.017 5.377.229 5.502.767. A tecnologia IMBE™ (TB9100 e gateways) e AMBE+2™ (TB7300, TB9300 e TB9400) de codificação de voz utilizada neste produto é protegida por direitos sobre propriedade intelectual incluindo patentes, direitos de cópia e segredos de indústria da Digital Voice Systems, Inc. A Tecnologia de codificação de voz é licenciada apenas para ser usada em equipamentos de comunicação. O usuário desta Tecnologia é explicitamente proibido de tentar decompilar, usar engenharia reversa, ou desmontar o Código Fonte, ou de qualquer maneira converter o Código Fonte em formato legível por ser humano.

Responsabilidades Ambientais

A Tait Limited é uma empresa responsável em relação ao meio ambiente, apoiando a redução de geração de lixo, a reciclagem de materiais e restrição do uso de materiais danosos.



A diretiva Waste Electrical and Electronic Equipment (WEEE) da União Européia requer que este produto seja descartado separadamente das vias gerais de coleta quando a sua vida útil tiver terminado. Para maiores informações sobre como descartar o seu produto Tait, visite o website WEEE da Tait em www.taitradio.com/weee. Por favor seja responsável com o meio ambiente e descarte por meio do fornecedor original, ou contate a Tait Limited.

A Tait Limited também atende a diretiva RoHS (Restriction of the Use of Certain Hazardous Substances in Electrical and Electronic Equipment) na União Européia.

Na China, nós atendemos a diretiva de Medidas para Administração do Controle de Poluição de Produtos Eletrônicos de Informação. Nós também iremos atender os requerimentos ambientais em outros mercados conforme eles sejam introduzidos.

Objetivo do Documento

Este documento fornece informações apenas sobre segurança geral e regulamentos. Por favor, leia o Manual de Instalação e Operação antes de instalar ou operar os equipamentos.

Segurança Geral

Segurança Pessoal

Desembalando e Movendo ao equipamento (exceto TB7100 e TB7300)

Para prevenir danos pessoais e danos ao equipamento, recomendamos que duas pessoas desembalem e movimentem o equipamento.



Cuidado O sub-bastidor e todos os módulos pertinentes podem pesar de 28 kg, até 30 kg, incluindo a embalagem. Recomendamos que outra pessoa o ajude a retirar o equipamento da embalagem e movê-lo. As alças TBAA03-16 facilitarão o transporte do sub-bastidor depois de desembalado. Se for necessário, retire os módulos do sub-bastidor antes de movê-lo (consulte o Manual de Instalação e Operação). Em qualquer caso, siga as práticas de segurança para levantar objetos pesados.

Tensões Letais



Atenção A PMU e a unidade fonte de alimentação AC do TB7100 (opcional) contém tensões que podem ser letais. Veja a etiqueta com os valores nominais na parte posterior do módulo.

Aviso Antes de conectar ao conector de alimentação AC do TB7100, consulte a etiqueta com os valores da tensão da rede configurada na parte posterior da estação rádio-base.

O equipamento deve ser instalado de modo que a parte posterior da PMU fique localizada numa área com acesso de serviço, que seja acessível, somente, por uma pessoa qualificada. A PMU ou o TB7100 deve ser conectada à fonte de alimentação principal por uma pessoa qualificada, de acordo com as regras locais e nacionais. O plugue do cabo da fonte de alimentação AC do TB7100 serve como dispositivo de desconexão. Portanto, o soquete/tomada devem ser instalados perto do equipamento e facilmente acessível.

Desconecte o conector IEC e espere cinco minutos para que as tensões internas descarreguem-se, antes de começar a desmontar. O comutador de liga/desliga da alimentação AC não isola a PMU da rede. Só interrompe o circuito de fase, não o neutro. Assegure que todas as fontes de alimentação do TB7100 (AC e DC) estejam desconectadas antes de abrir a estação rádio-base.

A PMU e a unidade fonte de alimentação AC do TB7100 devem ser reparada exclusivamente por técnicos qualificados. Não existe nenhum componente que possa ser substituído pelo usuário. Se a PMU ou a unidade fonte de alimentação AC do TB7100 for danificada e não funcionar corretamente, desative o módulo, tomando as medidas de segurança pertinentes e contate imediatamente o escritório regional da Tait mais próximo.

Todo serviço deve ser realizado unicamente quando a PMU ou a unidade fonte de alimentação AC do TB7100 estiver sendo alimentada através de um transformador de isolamento de rede com capacidade suficiente.

O equipamento deve estar conectado à tomada de rede aterrada.

Conexão de Alimentação AC

Ambientes Explosivos



Atenção Não utilize ao equipamento perto de explosivos elétricos nem em atmosfera inflamável. A utilização do equipamento nestes ambientes, compromete totalmente sua segurança.

Proximidade a Transmissões de RF

Para cumprir com os Limites do Campo de RF para Dispositivos Usado pelo Público em Geral para (Ambiente Descontrolado)^a, deve ser mantida uma distância segura de separação de pelo menos 3,6 metros.

Este valor é calculado para uma instalação típica, empregando um transmissor estação base de 100W. Outras configurações, incluindo instalações em sítios de multi-transmissores, devem ser instaladas de modo que estejam em conformidade com as normas de exposição RF relevantes.

a. Normas de Referência

Código 6 de Segurança da Saúde do Canadá: *Limites de Exposição Humana à Energia Eletromagnética de Rádiofrequência na Faixa de Frequência de 3kHz a 300GHz.*

Boletim 65 da Comissão de Comunicações Federal do EUA OET (47CFR 1.1310).

IEEE C95.1 2005: *Norma para Níveis de Segurança para Exposição Humana para Campos Eletromagnéticos de Rádiofrequência, 3kHz a 300GHz.*

Altas Temperaturas

Tenha cuidado ao manipular uma PMU, um PA, TB7100 ou um TB7300, que tenha estado em funcionamento recentemente. Sob condições de funcionamento extremas (+60°C [+140°F] de temperatura ambiente) ou ciclos de trabalho alto, as superfícies externas dos módulos podem atingir temperaturas de até +80°C (+176°F).

Segurança do LED (EN60825-1)

O equipamento contém LEDs que são considerados um Produto LED de Classe 1.

Segurança do Equipamento

Pessoal de Instalação e Serviço

O equipamento deve ser instalado e mantido somente por pessoal qualificado.

Carga de Antena

A estação rádio-base foi projetada para funcionar de forma segura sob uma ampla faixa de condições de carga da antena. Se transmitir com um VSWR baixo, irá maximizar a potência que chega à antena.

Aviso Não remova a carga do PA, enquanto estiver transmitindo.

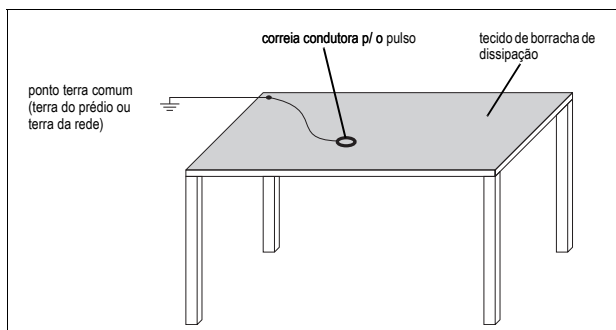
Transientes na carga (comutando ou removendo a carga) podem danificar o estágio de saída do PA.

Precauções ESD

Aviso Antes de abrir qualquer módulo certifique-se de ter tomado precauções apropriadas contra descarga eletrostática. Este equipamento contém dispositivos que podem sofrer danos causados por cargas estáticas. Estes dispositivos devem ser manipulados com cuidado e de acordo com os procedimentos descritos nos manuais dos fabricantes.

Recomendamos que você adquira uma mesa de trabalho antiestática de um fabricante de renome e a instale e a teste de acordo com as instruções do fabricante. O diagrama a seguir mostra a instalação de uma mesa de trabalho antiestática típica.

Instalação de uma mesa de trabalho antiestática típica



Pode-se obter mais informações sobre as precauções antiestáticas e os perigos da descarga eletrostática (ESD), à partir de normas, tais como a ANSI/ESD S20.20-1999 ou BS EN 100015-4 1994.

Condições Ambientais

Faixa de Temperatura de Funcionamento

A faixa de temperatura ambiente de funcionamento da estação rádio-base TB7100 40 W e 50 W é de -30°C a $+50^{\circ}\text{C}$ (-22°F a $+122^{\circ}\text{F}$). A faixa de temperatura ambiente de funcionamento de todos outros equipamentos é de -30°C a $+60^{\circ}\text{C}$ (-22°F a $+140^{\circ}\text{F}$). A temperatura ambiente é definida como a temperatura do ar na entrada para os ventiladores de refrigeração.

Umidade

A umidade não poderá exceder a 95% de umidade relativa através na faixa de temperatura de funcionamento especificado.

Poeira e Sujieira

Para ambientes não controlados, o nível de partículas transportadas pelo ar não pode ultrapassar $100\mu\text{g}/\text{m}^3$.

Aterramento e Proteção contra Raios

Aterramento Elétrico (exceto TB7100 e TB7300)

Os módulos da estação rádio-base são aterrados por contato físico entre a caixa do módulo e o sub-bastidor. Para assegurar uma boa conexão terra, cada abraçadeira retentora do módulo deve estar bem apertada (consulte “Remontagem Final” no Manual de Instalação e Operação para o torque correto).

Na parte posterior do sub-bastidor é fornecido um conector de aterramento para ser conectado no ponto de terra do solo (consulte a seção sobre as ligações da estação rádio-base no Manual de Instalação e Operação para mais detalhes).

Aterramento Elétrico (apenas TB7100 e TB7300)

Na parte posterior da bandeja é fornecido um conector de aterramento para ser conectado no ponto de terra do solo (consulte a seção sobre as ligações da estação rádio-base no Manual de Instalação e Operação para mais detalhes).

Aterramento contra Raios

É de extrema importância para a segurança do local e de seus equipamentos, que sejam tomadas precauções adequadas contra queda de raios. Por não ser o objetivo deste manual fornecer informação compreensiva sobre este assunto, recomendamos que sejam cumpridas as normas e regulamentos da organização fiscalizadora de seu país.

Ventilação do Equipamento

Assegure-se sempre de que haja uma ventilação adequada ao redor do equipamento.

Aviso Não coloque em operação o equipamento num gabinete fechado. A temperatura ambiente **deve** ser mantida dentro da faixa especificada, e recomendamos, **enfaticamente**, de que seja assegurado de que o fluxo de ar da refrigeração não fique bloqueado.

Aviso Todos os produtos exceto TB7100 e TB7300:

Os ventiladores de refrigeração estão montados na parte frontal e só funcionarão se o painel estiver corretamente instalado na frente do sub-bastidor. Para garantir a circulação de ar adequada na estação rádio-base, não deixe que ela funcione sem o painel frontal por mais de alguns minutos (por ex. por motivo de manutenção).

Aviso Apenas TB7100 e TB7300:

Os ventiladores de refrigeração estão montados na parte frontal. Para garantir a circulação de ar adequada na estação rádio-base, não deixe que ela funcione sem o painel frontal por mais de alguns minutos (por ex. por motivo de manutenção).

PMU

Os únicos controles na PMU são as chaves liga/desliga na parte posterior do painel para os módulos AC e DC, e os indicadores LEDs visíveis através do slot no painel frontal.



Atenção Estes chaves não isolam totalmente o circuito interno da PMU das fontes de alimentação AC ou DC. É preciso desconectar as fontes AC e DC da PMU, antes de desmontar ou realizar qualquer reparo. Consulte o manual de serviço para os procedimentos de manutenção corretos.

**Chave Ligado/
Desligado do
Módulo AC**

Este chave liga e desliga a entrada AC na PMU. Note que esta chave interrompe somente o circuito da fase, não o neutro.

**Chave Ligado/
Desligado do
Módulo DC**

A chave liga e desliga a saída DC da PMU. Ela é rebaixada para evitar que o módulo DC seja desligado acidentalmente e desconecte a alimentação reserva da bateria.

Note que esta chave não desconecta a alimentação do conversor DC. Ela desabilita o conversor desligando seu circuito de controle. Mesmo quando o conversor está desligado, a entrada DC ainda está conectada ao seu circuito de alimentação.

Substituindo Módulos



Cuidado O PPA de 100 W e a PMU pesam entre 4,2kg (9,3lb) e 7kg (15,4lb) cada. Tenha cuidado ao transportar estes módulos para evitar danos pessoais.

Segurança de Dispositivos e Rede

Se este equipamento de rede de rádio é utilizado para aplicativos de missões críticas. É importante que ele seja capaz de assegurar segurança e continuidade da operação. Para equipamento conectado à rede IP, é também importante que este equipamento não comprometa outros equipamentos na rede.

Todos os elementos da rede devem estar presos fisicamente, aonde possível. Isto inclui o uso de gabinetes travados e salas fechadas. Selos nos conectores podem, também, fornecer indicativo visual de adulteração não autorizada.

A Tait recomenda que todos os conectores de rede e áudio devem estar selados com etiquetas de identificação. O selo deve revelar se algum dos conectores foram desplugados ou se algum equipamento não autorizado foi plugado.

Os selos devem ser difíceis de serem retirados sem quebrá-los e devem ser colocados na conexão entre o cabo e a lateral do equipamento (plugue e soquete).

Os selos devem cobrir qualquer rede sem uso ou soquetes de áudio. Isto inclui o conector de Ethernet no painel frontal, quaisquer portas de comutador auxiliar e a porta do console no roteador e comutador.

Os selos devem ser difíceis de serem reproduzidos. Uma etiqueta marcada ou assinada pelo técnico pode ser uma garantia.

O selos devem ser recolocados se tiverem de ser retirados por motivo de manutenção.

Informação Legal

Frequências de Emergência

A faixa de frequência de 406 a 406,1 MHz está reservada mundialmente para as situações de emergência. **Não** programe nenhum transmissor para operar nesta faixa de frequência.

Cumprimento das Regras FCC

Este equipamento está de acordo com:

- CFR Title 47 Part 15 Class B (exceto PMU):
Emissões radiadas e conduzidas, e especificações de suscetibilidade eletromagnéticas das regras da Comissão Federal de Comunicações dos Estados Unidos (FCC).

A operação está sujeita às duas condições seguintes:

- a. este dispositivo não pode causar interferências prejudiciais, e
- b. este dispositivo deve aceitar qualquer tipo de interferência recebida, incluindo interferência que possa causar uma operação indesejada.

- CFR Title 47 Part 15 Class A (apenas PMU):
Emissões radiadas e conduzidas, e especificações de suscetibilidade eletromagnéticas das regras da Comissão Federal de Comunicações dos Estados Unidos (FCC).

A operação está sujeita às duas condições seguintes:

- a. este dispositivo não pode causar interferências prejudiciais, e
- b. este dispositivo deve aceitar qualquer tipo de interferência recebida, incluindo interferência que possa causar uma operação indesejada.

- CFR Title 47 Part 90 Subpart R (apenas TB9100):
Uso de frequências nas faixas de 764 a 776 MHz e 794 a 806 MHz.
O equipamento pode ser configurado para atender ao § 90.553 (a) do 47 CFR, que declara:

- a. Criptofonia não é permitida nos canais de chamada de Interoperabilidade nacional. Estes canais estão definidos no § 90.531 (b) (1) (ii).
- b. Criptofonia pode ser desabilitada pelo usuário se necessário.

Modificações Não Autorizadas

Qualquer modificação realizada neste equipamento, que não tenha sido autorizada pela Tait Limited, pode cancelar a autorização dada pelas autoridades para seu funcionamento.

Saúde, Segurança e Compatibilidade Eletromagnética na Europa

Na comunidade europeia, o equipamento de rádio e telecomunicações é regulamentado pela Diretiva 2014/53/UE. Os requisitos desta diretiva incluem a proteção da saúde e segurança dos usuários, bem como a compatibilidade eletromagnética.

Finalidade do Produto

Aviso Todas as estações rádio-base:

Este produto é um transceptor de rádio. Seu intuito é ser utilizado para a radiocomunicação nos serviços de Rádio Móvel Privado (PMR) ou Rádio Móvel de Acesso Público (PAMR), em todos os estados-membro da União Européia (EU) e estados da Área Econômica Européia (EEA). Este produto pode ser programado para transmitir em frequências que não estão harmonizadas em toda a EU/EEA e necessitará de uma licença para operar em cada Estado membro.

Aviso Todos os gateways:

Este produto é destinado para a radiocomunicação nos serviços de Rádio Móvel Privado (PMR) ou Rádio Móvel de Acesso Público (PAMR), em todos os estados-membro da União Européia (EU) e estados da Área Econômica Européia (EEA).

Declaração de Conformidade

Pode ser feito o download da Declaração de Conformidade na página www.taitradio.com/eudoc.

Copyright y marcas comerciales

Toda la información contenida en este manual es propiedad de Tait Limited. Todos los derechos están reservados. Se prohíbe, en parte o del manual completo, la copia, el fotocopiado, la reproducción, la traducción, el almacenamiento en un formato electrónico o cualquier otra cosa que pueda ser leída por máquina sin el consentimiento previo y por escrito de Tait Limited.

La palabra TAIT y el logo de TAIT son marcas registradas de Tait Limited.

Todos los nombres comerciales mencionados constituyen la marca de servicio, marca comercial o marca registrada de los respectivos fabricantes.

Absolución de responsabilidades

Este manual no expide ni otorga ninguna garantía. Tait Limited no acepta ninguna responsabilidad por daños que provengan de la utilización de la información contenida en este manual o del equipo y software que ésta describe. Es responsabilidad del usuario asegurarse de que el uso de dicha información, equipo y software cumpla con las leyes, reglamentos y disposiciones de la legislación pertinente.

Consultas y sugerencias

Si tiene alguna sugerencia relacionada con esta guía, comentarios o notificaciones de errores, comuníquese con el departamento de soporte técnico.

Actualizaciones del manual y del equipo

Con el fin de mejorar el rendimiento, la confiabilidad o el servicio del equipo, Tait Limited se reserva el derecho de actualizar el equipo y/o este manual sin previo aviso.

Derechos de propiedad intelectual

Este producto puede estar protegido por una o varias patentes o diseños de Tait Limited junto con sus equivalentes internacionales, solicitudes de patentes y marcas registradas: NZ409837, NZ409838, NZ415277, NZ415278, NZ530819, NZ534475, NZ547713, NZ577009, NZ579051, NZ579364, NZ586889, NZ610563, NZ615954, NZ700387, NZ708662, NZ710766, NZ711325, NZ726313, NZ593887, AU2015215962, AU339127, AU339391, AU2016259281, AU2016902579, EU000915475-0001, EU000915475-0002, GB2532863, US14/834609 Div. no 1, US15/346518 Div.no 2, US15/350332, US15/387026 Div., US20150085799, US20160044572, US20160057051, US640974,

US640977, US698339, US702666, US7758996, US8902804, US9107231, US9504034, US9559967.

Sólo TB7300 y TB9300: Este producto puede fabricarse con licencia de una o varias de las siguientes patentes:

- US7203207, AU2004246135, CA2527142, GB2418107, HK1082608, MY134526, US8306071
- US7339917, AU2004246136, CA2526926, GB2418812, MY134217
- US7499441, AU2005262626, CA2570441, GB2430333, JP4690397, NZ551231, KR100869043, RU2351080, BRP10512052, MXPA06015241
- US 7200129, AU2005226531, CA2558551, CN1930809, GB2429378, JP4351720, BRP10508671, NZ549124, KR848483, RU2321952

Sólo TB7300, TB9100, TB9300, TB9400 y vías de acceso: La tecnología de codificación de voz IMBE™ (TB9100 y vías de acceso) y AMBE+2™ (TB7300, TB9300 y TB9400) incorporada en este producto está protegida por los derechos de propiedad intelectual que incluyen los derechos de patentes, derechos de autor y secretos comerciales de Digital Voice Systems, Inc. Esta tecnología de codificación de voz está licenciada exclusivamente para ser utilizada en este equipo de comunicaciones. Al usuario de esta tecnología se le prohíbe intentar copiar componentes individualmente o completos, o desmontar el código del objeto, o que de ninguna otra manera convierta el código del objeto en un formato legible por el ser humano.

Responsabilidades medioambientales

Tait Limited es una empresa que se preocupa por el medio ambiente, minimiza los desechos, recicla materiales y tiene restricciones en el uso de materiales peligrosos.



La Directiva WEEE (Eliminación de Equipo Eléctrico y Electrónico) de la Unión Europea obliga a que se tire el producto al final de su vida útil por separado del resto de los residuos. Para más información acerca de cómo desechar su producto de Tait, visite la página web Tait WEEE en www.taitradio.com/weee. Rogamos que se responsabilice por el medio ambiente y, cuando llegue el momento de tirar el producto, se ponga en contacto con el distribuidor original o con Tait Limited.

Asimismo, Tait Limited cumple con la Directiva RoHS sobre restricciones a la utilización de determinadas sustancias peligrosas en equipos eléctricos y electrónicos en la Unión Europea.

En China, cumplimos con las medidas para la gestión del control de la contaminación causada por productos electrónicos de información. Cumpliremos con los requisitos medioambientales de otros mercados a medida que vayan siendo introducidos.

Acerca de este documento

En este documento se proporciona exclusivamente información general sobre medidas de seguridad y conformidad. Lea el Manual de Instalación y Operación antes de intentar instalar y utilizar el equipo.

Información general sobre medidas de seguridad

Seguridad personal

Desembalaje y transporte del equipo (excepto las estaciones TB7100 y TB7300)

Para evitar lesiones personales y daños al equipo, recomendamos que participen dos personas en el desembalaje y transporte del equipo.



Atención Un subbastidor con todos los módulos pertinentes puede pesar de 28 a 30kg (incluido el embalaje). Recomendamos que le ayude otra persona a sacar el equipo y moverlo. Las asas TBAA03-16 facilitarán el traslado del subbastidor una vez desembalado. Si es necesario, saque los módulos del subbastidor antes de moverlo (véase el Manual de Instalación y Operación). En todos los casos, observe las medidas de seguridad pertinentes cuando levante objetos pesados.

Voltajes mortales



Advertencia La PMU y la unidad de alimentación AC opcional de la TB7100 contienen voltajes que podrían ser mortales. Véase la etiqueta con los valores nominales en la parte posterior del módulo.

Aviso Antes de conectar al conector de alimentación AC de la TB7100, consulte la etiqueta con los valores apropiados de la red que hay en la parte posterior de la estación base.

El equipo se debe instalar de manera que la parte posterior de la PMU o de la TB7100 quede ubicada en un área de servicio a la que sólo pueda acceder personal cualificado. La PMU o la TB7100 debe ser conectada al suministro de la red por personal calificado según lo estipulado por la normativa local y nacional. El enchufe del cable del suministro de alimentación AC sirve como dispositivo de desconexión, por lo que el enchufe y la toma deben estar instalados cerca del equipo y ser fácilmente accesibles.

Desconecte el conector IEC de la red y espere cinco minutos para que los voltajes internos se descarguen antes de proceder al desmontaje. El conmutador AC de encendido/apagado no aísla a la PMU de la red. Sólo interrumpe el circuito de fase, no el neutral. Antes de abrir la estación base, asegúrese de que todos los suministros de alimentación (AC y DC) de la TB7100 estén desconectados.

La PMU y la unidad de alimentación AC opcional de la TB7100 deben ser reparadas exclusivamente por técnicos calificados. No cuentan con ningún componente sustituible por el usuario. Si la PMU o la unidad de alimentación AC opcional de la TB7100 se ha estropeado y no funciona correctamente, desactive el módulo tomando las medidas de seguridad necesarias y contacte a su oficina regional de Tait de inmediato.

Todo servicio de mantenimiento o reparación debe ser realizado únicamente cuando la PMU o la unidad de alimentación AC opcional de la TB7100 esté alimentada a través de un transformador de suficiente capacidad que la aisle de la red.

Conexión de alimentación AC

El equipo debe conectarse a un enchufe/toma de corriente de red a tierra.

Entornos explosivos



Advertencia No utilice el equipo cerca de explosivos eléctricos ni en entornos inflamables. La utilización del equipo en estos entornos compromete totalmente su seguridad.

Proximidad a transmisiones de RF

Para cumplir con los límites de exposición a radiofrecuencia (RF) para dispositivos usados por el público general/en ambientes no controlados^a, debe mantenerse una distancia de separación mínima de 3,6 metros de la antena.

Esta distancia es la calculada para una instalación típica, que emplea un transmisor de estación base de 100W. Otras configuraciones, incluyendo las instalaciones en sitios con transmisores múltiples, deben ser instaladas de conformidad con la normativa de exposición a radiofrecuencia correspondiente.

a. Normas de referencia

Código de Seguridad 6 de Health Canada (Departamento de Salud de Canadá): *Límites de exposición a campos electromagnéticos de radiofrecuencia en el rango de 3Hz a 300GHz.*

Boletín 65 de la Oficina de Ingeniería y Tecnología (OET por sus siglas en inglés) de la Comisión Federal de Comunicaciones (FCC por sus siglas en inglés) de los Estados Unidos de América (47CFR 1.1310).

IEEE C95.1 2005: *Norma para niveles de seguridad con respecto a la exposición humana a los campos electromagnéticos de radiofrecuencia, 3kHz a 300GHz.*

Altas temperaturas

Tenga cuidado al manipular una PMU, un PA o las estaciones TB7100 y TB7300 que haya/n estado en funcionamiento recientemente. Bajo condiciones de funcionamiento extremas (+60°C [+140°F] de temperatura ambiente), o ciclos de trabajo altos, las superficies externas de los módulos pueden alcanzar temperaturas de hasta +80°C (+176°F).

Seguridad LED (EN60825-1)

Este equipo contiene indicadores LED que son considerados Productos LED de la Clase 1.

Seguridad del equipo

Personal de servicio e instalación

El equipo debe ser instalado y mantenido únicamente por personal cualificado.

Carga de antena

La estación base ha sido diseñada para funcionar de forma segura en un amplio rango de condiciones de carga de la antena. Si transmite con un VSWR bajo se maximizará la potencia que llega a la antena.

Aviso No quite la carga del PA mientras esté transmitiendo.

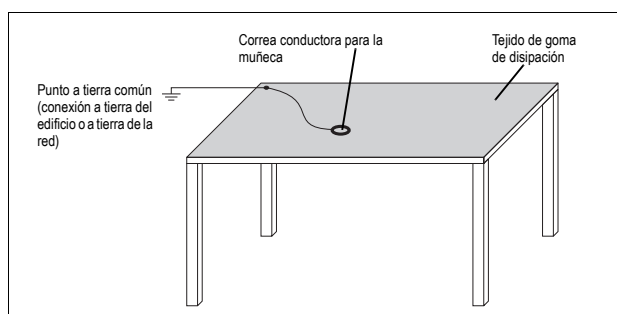
Precauciones sobre descarga electrostática

Las alteraciones en la carga (tales como un cambio o la eliminación de la misma) pueden dañar la etapa de salida de la PA.

Aviso Antes de abrir cualquier módulo, asegúrese de que toma las medidas de precaución necesarias respecto a la descarga electrostática. Este equipo contiene dispositivos que pueden sufrir daños causados por las cargas estáticas. Estos dispositivos deben ser manipulados con cuidado y según los procedimientos descritos en los manuales de los fabricantes.

Recomendamos que adquiera una mesa de trabajo antiestática de un fabricante de renombre y la instale y pruebe siguiendo las instrucciones del fabricante. El diagrama siguiente muestra la instalación de una mesa de trabajo antiestática típica.

Instalación de una mesa de trabajo antiestática típica



Puede obtener más información acerca de las precauciones antiestáticas y los peligros de la descarga electrostática (ESD) a partir de normas tales como la ANSI/ESD S20.20-1999 o la BS EN 100015-4 1994.

Condiciones ambientales

Rango de temperaturas de funcionamiento

El rango de temperaturas de funcionamiento de la estación base TB7100 de 40W y la de 50W es de -30°C a $+50^{\circ}\text{C}$ (-22°F a $+122^{\circ}\text{F}$) de temperatura ambiente. El rango de temperaturas de funcionamiento de los otros equipos es de -30°C a $+50^{\circ}\text{C}$ (-22°F a $+122^{\circ}\text{F}$) de temperatura ambiente.

La temperatura ambiente se define como la temperatura del aire a la altura de la toma de aire en los ventiladores de refrigeración.

Humedad

La humedad no debería exceder el 95% de humedad relativa en el rango de temperaturas de funcionamiento especificado.

Polvo y suciedad

Para entornos no controlados, el nivel de partículas transportadas por el aire no debe exceder los $100\mu\text{g}/\text{m}^3$.

Conexión a tierra y protección contra rayos

Conexión a tierra (excepto las estaciones TB7100 y TB7300)

Los módulos están conectados a tierra por el contacto físico de su caja con el subbastidor. Para garantizar una buena conexión a tierra, se debe ajustar bien cada abrazadera retenedora del módulo. Para más información sobre

el valor de torsión correcto, consulte la sección “Montaje final” en el Manual de Instalación y Operación.

En la parte posterior del subbastidor se proporciona un conector de tierra con rosca para conectar el subbastidor al punto de tierra del sitio. Para más información consulte la sección sobre conexión de la estación base en el Manual de Instalación y Operación.

**Conexión a tierra
(sólo las estaciones
TB7100 y TB7300)**

En la parte posterior del subbastidor se proporciona un conector de tierra con rosca para conectar el subbastidor al punto de tierra del sitio. Para más información consulte la sección sobre conexión de la estación base en el Manual de Instalación y Operación.

**Conexión a tierra
para rayos**

Es extremadamente importante para la seguridad del lugar y del equipo que se tomen precauciones adecuadas contra los efectos de la caída de rayos. Como el proporcionar información exhaustiva sobre este tema no entra en el ámbito de este manual, recomendamos que cumpla con las normativas y regulaciones de la organización o autoridad de su país.

Ventilación del equipo

Asegúrese en todo momento de que haya una ventilación adecuada alrededor del equipo.

Aviso No haga funcionar el equipo en un alojamiento cerrado. La temperatura ambiente debe mantenerse dentro del rango especificado y recomendamos enfáticamente que se asegure de que el flujo de aire de refrigeración no esté limitado de ningún modo.

Aviso Para todos los productos menos las estaciones TB7100 y TB7300:

Los ventiladores de refrigeración están instalados en el panel frontal y sólo funcionarán si el panel está instalado correctamente delante del subbastidor. Para garantizar que el equipo reciba un flujo de aire adecuado, no permita que funcione sin el panel frontal durante más de unos minutos (por ej. mientras se realiza el servicio de mantenimiento).

Aviso Sólo para las estaciones TB7100 y TB7300:

Los ventiladores de refrigeración están instalados detrás del panel frontal. Para garantizar que la estación base reciba un flujo de aire adecuado, no permita que funcione más de unos minutos con los ventiladores desconectados (por ejemplo mientras se realiza el mantenimiento).

PMU

Los únicos controles en la PMU son los conmutadores de encendido y apagado en el panel posterior para los módulos AC y DC y los indicadores LED visibles a través de las ranuras del panel frontal.



Advertencia Estos conmutadores no aíslan completamente los circuitos internos de la PMU de los suministros de alimentación AC o DC. Usted debe desconectar las fuentes AC y DC de la PMU antes de desmantelarla o realizar cualquier reparación. Véase el Manual de servicio para más información al respecto.

Conmutador de encendido/apagado del módulo AC

Este conmutador enciende y apaga la entrada de corriente alterna a la PMU. Tenga en cuenta que este conmutador ‘rompe’ el circuito de fase pero no el neutro.

Conmutador de encendido/apagado del módulo DC

Este conmutador enciende y apaga la salida de corriente continua de la PMU. El conmutador no sobresale (es bajorrelieve) para evitar que el módulo DC se apague accidentalmente y se desconecte el suministro de reserva de la batería.

Tome en cuenta que este conmutador no desconecta el suministro de alimentación del convertidor DC. Lo que hace es deshabilitar el convertidor al apagar sus circuitos de control. Incluso cuando el convertidor DC está apagado, la entrada DC sigue estando conectada a los circuitos de alimentación.

Reemplazo de módulos



Atención El PA de 100W y la PMU pesan entre 4,2kg y 7kg cada uno. Para evitar lesiones personales, tenga cuidado cuando manipule estos módulos.

Seguridad del dispositivo y de la red

Si esta red de radio es utilizada para aplicaciones en situaciones críticas, es importante poder garantizar su seguridad y la continuidad de su operación. Para el equipo conectado por red IP, es también importante garantizar que su utilización no afecte la operación de otros equipos de la red.

Todos los elementos de la red deben protegerse siempre que sea posible. Esto incluye el uso de alojamientos y salas cerrados con llave o candado. El sellado de los conectores permite detectar si alguien ha intentado manipular el equipo sin autorización.

Tait recomienda sellar y marcar con una etiqueta todos los conectores de red y de audio. El sellado debe mostrar si alguien ha desenchufado los conectores o si se ha conectado equipo no autorizado.

El sellado debe ser difícil de quitar sin que se rompa y debe ir colocado en la conexión entre el cable y un lateral del equipo (enchufe y base).

Las redes o enchufes de audio no utilizados deben estar sellados. Esto incluye el conector Ethernet del panel frontal, cualquier puerto de conmutadores adicional y el puerto de la consola en el enrutador y el conmutador.

Es importante que sea difícil reproducir el tipo de sellado. Esto puede garantizarse si el técnico firma o marca la etiqueta.

Los sellados deben cambiarse cuando deban abrirse durante el mantenimiento.

Información legal

Frecuencias de socorro

El rango de frecuencias de 406 a 406.1 MHz está reservado mundialmente para las balizas de socorro. **No** programe ningún transmisor para que funcione en este rango de frecuencias.

Cumplimiento con la normativa FCC

Este equipo cumple con:

- Clase B Parte 15 Título 47 del Código de Reglamentos Federales (CFR) (excepto la PMU):
Normativa sobre emisiones conducidas y radiadas y especificaciones de susceptibilidad electromagnética de la Comisión Federal de Comunicaciones de Estados Unidos (FCC).
El funcionamiento queda sujeto a las dos condiciones siguientes:
 - a. que el dispositivo no provoque una interferencia perjudicial y
 - b. que acepte cualquier tipo de interferencia recibida, incluyendo la que cause su funcionamiento incorrecto.
- Clase A Parte 15 Título 47 del Código de Reglamentos Federales (CFR) (sólo la PMU):
Normativa sobre emisiones conducidas y radiadas y especificaciones de susceptibilidad electromagnética de la Comisión Federal de Comunicaciones de Estados Unidos (FCC).
El funcionamiento queda sujeto a las dos condiciones siguientes:
 - a. que el dispositivo no provoque una interferencia perjudicial y
 - b. que acepte cualquier tipo de interferencia recibida, incluyendo la que cause su funcionamiento incorrecto.
- Subparte R Parte 90 Título 47 del Código de Reglamentos Federales (CFR) (sólo la TB9100):
Uso de las frecuencias en las bandas 764 a 776 MHz y 794 a 806 MHz. El equipo puede configurarse para cumplir con la directiva §90.553 (a) de 47 CFR, que establece lo siguiente:
 - a. La encriptación no está permitida en los canales de interoperabilidad de llamadas nacionales. Estos canales están definidos en §90.531 (b) (1) (ii).
 - b. En caso de ser necesario, el usuario puede deshabilitar la encriptación.

Modificaciones no autorizadas

Cualquier modificación que se realice a este equipo sin el permiso de Tait Limited puede invalidar la autorización para su uso y operación.

Compatibilidad electromagnética y medidas de salud y seguridad en Europa

En la Unión Europea, el equipo de radiocomunicaciones está regulado por la Directiva 2014/53/UE. Los requisitos de esta directiva incluyen la protección de la salud y seguridad de los usuarios, así como la compatibilidad electromagnética.

Finalidad del producto

Aviso Para todas las estaciones base:

Este producto es un transceptor de radio, cuyo propósito es ser utilizado para la radiocomunicación en los servicios de radio móvil privada (PMR) o en los de radio móvil de acceso público (PAMR) en todos los estados miembro de la Unión Europea (UE) y los estados del Area Económica Europea (AEE). Este producto puede ser programado para transmitir en frecuencias que no estén armonizadas por toda la UE/AEE

y necesitará una licencia para poder ser utilizado en cada uno de los estados miembro.

Aviso Para todas las vías de acceso:

La finalidad de este producto es ser utilizado para la radiocomunicación en los servicios de radio móvil privada (PMR) o en los de radio móvil de acceso público (PAMR) en todos los estados miembro de la Unión Europea (UE) y los estados del Area Económica Europea (AEE).

Para los clientes de Luxemburgo (sólo la TB7100)

Este equipo no debe utilizarse como repetidor de datos en Luxemburgo a no ser que se use con un Controlador de Acceso de Canales autorizado que cumpla con los requisitos de la normativa ETSI EN 300 471.

Declaración de conformidad

La Declaración de Conformidad formalizada puede descargarse de www.taitradio.com/eudoc.

版权和商标

本手册包含的所有信息都归大吉有限公司所有。保留所有权利。在没有得到大吉有限公司预先书面同意的情况下，本手册不允许被部分或整体复制、翻印、再版、翻译、存储或删减为任何电子媒体或机器可读形式。

TAIT 字样和大吉 (TAIT) 标志是大吉有限公司的商标。

所有商品都是相应制造商的服务标记、商标或注册商标。

声明

本手册对产品不作延伸担保，也不提供担保。对于因使用本手册提供的信息以及使用本手册介绍的设备和软件而引起的损害，大吉有限公司不承担责任。用户有责任确保这些信息、设备、软件的使用符合适用权限定的法律、规定和规则。

询问和意见

如果您对本手册有任何疑问、意见、建议或发现任何错误，请与技术支持部门联系。

手册和设备更新

在改进设备的性能、可靠性或设备维修方面，大吉有限公司保留对设备、手册或对这两者同时进行更新的权利，而无需事先通知。

知识产权

本产品受大吉有限公司一项或多项专利或设计及其国际等效专利或设计正在申请专利和注册商标的保护。具体如下所示：NZ409837, NZ409838, NZ415277, NZ415278, NZ530819, NZ534475, NZ547713, NZ577009, NZ579051, NZ579364, NZ586889, NZ610563, NZ615954, NZ700387, NZ708662, NZ710766, NZ711325, NZ726313, NZ593887, AU2015215962, AU339127, AU339391, AU2016259281, AU2016902579, EU000915475-0001, EU000915475-0002, GB2532863, US14/834609 Div. no 1, US15/346518 Div.no 2, US15/350332, US15/387026 Div., US20150085799, US20160044572, US20160057051, US640974, US640977, US698339, US702666, US7758996, US8902804, US9107231, US9504034, US9559967.

仅 TB7300 和 TB9300: 本产品也可以在下列一项或多项专利的许可下生产制作：

- US7203207, AU2004246135, CA2527142, GB2418107, HK1082608, MY134526, US8306071
- US7339917, AU2004246136, CA2526926, GB2418812, MY134217

- US7499441, AU2005262626, CA2570441, GB2430333,
JP4690397, NZ551231, KR100869043, RU2351080,
BRP10512052, MXPA06015241
- US 7200129, AU2005226531, CA2558551, CN1930809,
GB2429378, JP4351720, BRP10508671, NZ549124, KR848483,
RU2321952

仅 TB7300、TB9100、TB9300、TB9400 和网关：本产品内置的声
音编码技术 IMBE™(TB9100 和网关) 和 AMBE+2™(TB7300、
TB9300 和 TB9400) 受数字声音系统有限公司 (Digital Voice
Systems, Inc) 知识产权 (包括专利权、版权和商标秘密) 的保护。
此声音编码技术允许单独用于此通讯设备中。绝对禁止用户对结果
代码进行反编译、设计还原或分解，或者以任何其它方式将结果代
码转换为人类可读形式。

环境责任

大吉有限公司对保护环境负责，公司坚持最大限度地降低使用有害
材料所产生的废品率，同时支持回收有害材料和限制使用有害材
料。



欧盟《报废电子电器设备 (WEEE) 指令》要求本产品使用期满后与
常规保废物品分开处理。关于处理大吉废弃产品的更多信息，请访
问大吉电子有限公司 WEEE 网址：www.taitradio.com/weee。请您
对环境负责，通过产品供货商或联系大吉有限公司处理废弃产品。

大吉有限公司在欧盟还遵守《限用有害物质 (RoHS) 指令》。

在中国，我们遵守《电子信息产品污染控制管理办法》。同时，还
将遵守其它市场引用的环境要求规定。

关于本文档

本文档只提供常规性安全和管制信息。在尝试安装或操作设备之前，请阅读《安装和操作手册》。

常规安全信息

人员安全

开包和搬移设备 (TB7100 和 TB7300 除外)

为了防止人员受伤和设备受损，建议由两个人打开包装和搬移设备。



小心 安装了全部模块的子机架重量可达 28 公斤，包装好以后可达 30 公斤。建议您请他人帮助打开包装和搬移基地台。打开包装后，使用 TBAA03-16 提柄易于搬移子机架。如果需要，搬移设备之前，先从子机架取出模块（请查阅《安装和操作手册》）。无论任何情况，都应遵守安全规则。

致命电压



警告 PMU 和 TB7100 交流电源选件包含可导致生命危险电压。请参考模块背板的额定值标签。

注意 连接 TB7100 交流电源接口之前，请查看基地台背板上的额定值标签，了解已经配置的主电压值。

安装设备时，必须使 PMU 背面或 TB7100 背面处于易于维护操作的区域。只有取得资格的人员才可接近此区域。必须由受过培训的人员按照当地和国家规定把 PMU 或 TB7100 接到主电源即交流市电上。TB7100 交流电源线插头是可拔插的非永久连接装置。因此，电源插座必须安装在设备附近，必须容易接近。

拆开设备之前，应当断开主电源的 IEC 接头，等待 5 分钟，让内部电压自放电。交流电源开关不能使 PMU 与主电源隔离开，它只是断开火线电路，不能断开零线电路。打开基地台之前，应确保所有 TB7100 电源（交流和直流）都是断开的。

PMU 和 TB7100 交流电源单元只应由获得资格的技术人员维修。模块内部没有用户可更换部件。如果 PMU 和 TB7100 交流电源单元因损坏而不能正常工作，请停止使用它，并立即就近联系您当地的大吉办事处。

只有在 PMU 或 TB7100 交流电源单元经过足够额定值的主电源隔离变压器供电时，才可进行维修。

交流电源连接

必须把设备连接到接地的主电源接口。

易爆环境



警告 不要在电雷管附近或易爆环境下操作设备。在这些环境下操作设备非常危险。

接近射频发射源

为了遵守公众使用设备的射频场限制(不受控制的环境)^a 条例,到天线系统的安全隔离距离应该保持在不小于 3.6 米。

这个数字是为使用一个 100W 基站发射机的典型安装计算的。安装其它设备,包括在多发射机站点的安装,必须符合相关的射频暴露标准。

a. 参考标准

加拿大卫生部安全条例 6: 对人体暴露于 3kHz 到 300GHz 频率范围射频电磁能量的限值。

美国联邦电讯委员会 OET 公告 65(47CFR 1.1310)。

IEEE C95.1 2005: 关于人体暴露于射频电磁场 3kHz 到 300GHz 的安全等级标准。

高温

当操作最近使用过的 PMU、PA、TB7100 或 TB7300 时,一定要十分小心。在极端工作条件(+60 °C 大气环境温度)下或在工作循环频率高的情况下,模块外表面温度可达到 +80 °C。

LED 安全 (EN60825-1)

本设备包含 1 类 LED 产品。

设备安全

安装和维修人员

设备只应由取得资格的人员安装、维护和维修。

天线负载

设计方案可保证在多种天线负载条件下,基地台都能安全工作。发射进入低 VSWR 状态时,将会使馈送到天线的功率达到最大。

注意 发射期间不要从 PA 取下负载。

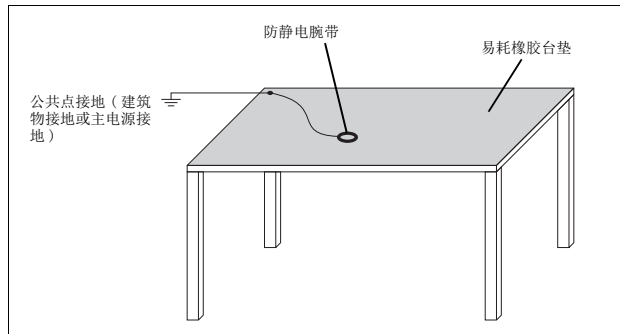
负载变化(更换负载或取下负载)会损坏 PA 输出级。

ESD 预防措施

注意 打开模块之前,请确认采取合适的步骤防止静电放电。本设备包含的装置会受到静电放电的损坏。必须谨慎操作这些装置,并请按照生产商数据簿的介绍进行操作。

建议您从有信誉的生产商处购买防静电台,并按照生产商的操作说明进行安装和测试。下图给出了一个典型防静电台安装示例。

典型防静电台的安装



您可以从 ANSI/ESD S20.20-1999 或 BS EN 100015-4 1994 标准中获得关于预防静电和静电放电危险 (ESD) 方面的进一步信息。

环境条件

工作温度范围	40W 和 50W 的 TB7100 基地台工作温度范围是 -30°C 至 $+50^{\circ}\text{C}$ 环境温度。所有其它设备的工作温度范围是 -30°C 至 $+60^{\circ}\text{C}$ 环境温度。环境温度定义为冷却风扇入口的空气温度。
湿度	在规定的工作温度范围内，相对湿度不应超过 95%。
灰尘	对于非控制环境，空气传播颗粒水平不得超过 $100\mu\text{g}/\text{m}^3$ 。

接地和防雷保护

电气接地 (TB7100 和 TB7300 除外)	基地台模块在模块盒与子机架之间物理接地。为了保证接地连接良好，必须紧固每个模块的固定夹。关于正确的转距设置，请查阅《安装和操作手册》的“最后重装”部分。 子机架后部带有螺纹接地接头，用于连接站点的接地点。更多信息，请查阅《安装和操作手册》的“连接基地台”部分。
电气接地 (仅 TB7100 和 TB7300)	机盘后部带有螺纹接地接头，用于连接站点的接地点。更多信息，请查阅《安装和操作手册》的“连接基地台”部分。
防雷接地	站点和设备的安全非常重要，必须采取足够的措施预防雷击。关于此主题的信息内容非常广泛，超出了本手册的范围，建议按照您所在国家标准机构或规程制订部门所规定的条例执行。

设备通风

始终要确保设备周围通风良好。

注意 不要把子机架装到封闭的机柜内工作。必须使环境温度保持在规定范围内。我们强烈建议您一定要确保冷却气流不受阻挡。

注意 除 TB7100 和 TB7300 以外的所有产品。
冷却风扇安装在前面板上，只有当子机架前面板正确安装后才能运行。为了确保足够的气流流经设备，在拆除前面板后（例如：维修时），设备运行时间请勿超过几分钟。

注意 仅 TB7100 和 TB7300。
冷却风扇安装在前面板背面。为了确保足够的气流流经基地台，在拆除前面板后（例如：维修时），设备运行时间请勿超过几分钟。

PMU

PMU 上仅有的操作控制装置是交流模块和直流模块后板的开关和 LED 指示器，后者可通过前面板的小槽口看到。



警告 这些开关不能使 PMU 的内部电路与交流或直流电源完全隔离。所以，在拆卸或维修设备前，必须从 PMU 断开交流和直流电源。关于正确维修步骤的信息，请参考维修手册。

交流模块开关

此开关用来切换 PMU 交流输入的“开/关”状态。注意：此开关只断开火线电路，不断开零线电路。

直流模块开关

此开关用来切换 PMU 直流输出的“开/关”状态。它嵌在面板中，以防直流模块被意外关闭后，禁用备份电池供电。

注意：此开关本身并不能从直流变换器断开电源连接，它是通过关闭控制电路的方式禁用变换器的。即使是在直流变换器关闭时，直流输入仍然与电源电路连接。

更换模块



小心 100W 的 PA 和 PMU 各自的重量是在 4.2 公斤到 7 公斤之间。搬动这些模块时要注意，以免人员受伤。

设备和网络安全

如果此电台网络设备用于关键性任何中，确保操作的安全性和连续性非常重要。对于 IP 网络连接设备，确保该设备不影响网络中其它设备操作也很重要。

所有网络构成部分的物理性能都应安全可靠，其中包括使用带锁机柜和带锁房间。贴上接口封条也可以在视觉上发现非授权篡改。

大吉建议所有网络接口和音频接口都应当使用粘贴类封条。如果接头曾被拔开或未授权设备曾被插入，封条势必会启封。

采用的封条性能和贴封方法应当是：不撕破封条便无法揭下它。封条应当跨在电缆与设备的相接处（插头和插口）。

封条应当盖住不使用的网络插口或音频插口，这包括：前面板的以太网接口、备用开关的端口以及路由器和交换机的接口端口。

封条应当无法重制。采用由技术人员签发的粘贴封条是一个满意的选择。

如果在维护期间不得不损坏封条，则必须更换新的封条。

管制信息

遇难频率

406-406.1MHz 频率范围被留用为全世界遇难频率。请**不要**把发射器编程在此频率范围内工作。

FCC 符合性规定

本设备符合以下规定：

■ 47 CFR 第 15 部分 B 类 (PMU 除外)：

这是美国联邦通讯委员会 (FCC) 规定的辐射性和传导性发射以及电磁敏感度指标。

设备操作必须符合以下两个条件：

- a. 本设备不可引起有害干扰，并且
- b. 本设备必须能够接受收到的任何干扰，包括可能引起不希望操作的干扰。

■ 47 CFR 第 15 部分 A 类 (仅 PMU)：

这是美国联邦通讯委员会 (FCC) 规定的辐射性和传导性发射以及电磁敏感度指标。

设备操作必须符合以下两个条件：

- a. 本设备不可引起有害干扰，并且
- b. 本设备必须能够接受收到的任何干扰，包括可能引起不希望操作的干扰。

■ 47 CFR 第 90R 部分 (仅 TB9100)：

这是对 764-776MHz 和 794-806MHz 带宽内频率使用的规定。设备可以设定为符合 47 CFR 的 90.553(a) 要求。此要求陈述：

- a. 不允许在国家范围内的互通呼叫信道上加密。对这些信道的定义，请参见 90.531(b)(1)(ii)。
- b. 如果需要，用户可以停用加密。

未经授权更改

未经大吉有限公司授权，您对本设备所作的任何更改都将使您丧失对设备的操作认可。

欧洲地区健康、安全和电磁兼容性

在欧共体，无线电和通讯设备受 2014/53/EU 指导标准的制约。此标准的内容包括：保护用户的健康和安全性以及电磁兼容性。

产品设计目的

注意 所有基地台。

本产品属于无线电收发器类别，其设计目的是在专用移动无线电 (PMR) 服务或公用接入无线电 (PAMR) 服务中进行无线电通讯，设备可用于欧盟 (EU) 和欧洲经济区 (EEA) 的所有成员国。本产品可以编程为在整个欧盟 / 欧洲经济区内的非谐波频率上进行发射，并且在每个成员国操作都需要获得许可。

注意 所有网关。

本产品的设计目的是在专用移动无线电 (PMR) 服务或公用接入无线电 (PAMR) 服务中进行无线电通讯，设备可用于欧盟 (EU) 和欧洲经济区 (EEA) 的所有成员国。

符合性声明

您可以从 www.tairadio.com/eudoc 下载正式符合性声明。

LT Aš, Tait Limited, patvirtinu, kad radijo įrenginių tipas TBAB1, TBAC0, TBAH0, TBBA4A, TBBB1A, TBBB1B, TBBC0A, TBBH5A, TBBH5B, TBBH6A, TBCB1A, TBCB1B, TBCB1D, TBCB1E, TBCB1X, TBCH0D, TBCH0E, TBCH1A, TBCH1B, TBCH2A, TBCH2B, TBCH3A, TBCH3B, TBCHHB, TBDB3G, TBDH3G, TBDH5G atitinka Direktyvą 2014/53/ES.

Visas ES atitikties deklaracijos tekstas priemas šiuo interneto adresu: www.taitradio.com/eudoc

HU Tait Limited igazolja, hogy a TBAB1, TBAC0, TBAH0, TBBA4A, TBBB1A, TBBB1B, TBBC0A, TBBH5A, TBBH5B, TBBH6A, TBCB1A, TBCB1B, TBCB1D, TBCB1E, TBCB1X, TBCH0D, TBCH0E, TBCH1A, TBCH1B, TBCH2A, TBCH2B, TBCH3A, TBCH3B, TBCHHB, TBDB3G, TBDH3G, TBDH5G típusú rádióberendezés megfelel a 2014/53/EU irányelvnek.

Az EU-megfelelőségi nyilatkozat teljes szövege elérhető a következő internetes címen: www.taitradio.com/eudoc

MT B'dan, Tait Limited, niddikjara li dan it-tip ta' taghmir tar-radju TBAB1, TBAC0, TBAH0, TBBA4A, TBBB1A, TBBB1B, TBBC0A, TBBH5A, TBBH5B, TBBH6A, TBCB1A, TBCB1B, TBCB1D, TBCB1E, TBCB1X, TBCH0D, TBCH0E, TBCH1A, TBCH1B, TBCH2A, TBCH2B, TBCH3A, TBCH3B, TBCHHB, TBDB3G, TBDH3G, TBDH5G huwa konformi mad-Direttiva 2014/53/UE.

It-test kollu tad-dikjarazzjoni ta' konformita' tal-UE huwa disponibbli f'dan l-indirizz tal-Internet li gej: www.taitradio.com/eudoc

NL Hierbij verklaar ik, Tait Limited, dat het type radioapparatuur TBAB1, TBAC0, TBAH0, TBBA4A, TBBB1A, TBBB1B, TBBC0A, TBBH5A, TBBH5B, TBBH6A, TBCB1A, TBCB1B, TBCB1D, TBCB1E, TBCB1X, TBCH0D, TBCH0E, TBCH1A, TBCH1B, TBCH2A, TBCH2B, TBCH3A, TBCH3B, TBCHHB, TBDB3G, TBDH3G, TBDH5G conform is met Richtlijn 2014/53/UE.

De volledige tekst van de EU-conformiteitsverklaring kan worden geraadpleegd op het volgende internetadres: www.taitradio.com/eudoc

PL Tait Limited niniejszym oświadczam, że typ urządzeń radiowych TBAB1, TBAC0, TBAH0, TBBA4A, TBBB1A, TBBB1B, TBBC0A, TBBH5A, TBBH5B, TBBH6A, TBCB1A, TBCB1B, TBCB1D, TBCB1E, TBCB1X, TBCH0D, TBCH0E, TBCH1A, TBCH1B, TBCH2A, TBCH2B, TBCH3A, TBCH3B, TBCHHB, TBDB3G, TBDH3G, TBDH5G jest zgodny z dyrektywą 2014/53/UE.

Pełny tekst deklaracji zgodności UE jest dostępny pod następującym adresem internetowym: www.taitradio.com/eudoc

PT O(a) abaixo assinado(a) Tait Limited declara que o presente tipo de equipamento de rádio TBAB1, TBAC0, TBAH0, TBBA4A, TBBB1A, TBBB1B, TBBC0A, TBBH5A, TBBH5B, TBBH6A, TBCB1A, TBCB1B, TBCB1D, TBCB1E, TBCB1X, TBCH0D, TBCH0E, TBCH1A, TBCH1B, TBCH2A, TBCH2B, TBCH3A, TBCH3B, TBCHHB, TBDB3G, TBDH3G, TBDH5G está em conformidade com a Diretiva 2014/53/UE.

O texto integral da declaração de conformidade está disponível no seguinte endereço de Internet: www.taitradio.com/eudoc

RO Prin prezenta, Tait Limited declară că tipul de echipamente radio TBAB1, TBAC0, TBAH0, TBBA4A, TBBB1A, TBBB1B, TBBC0A, TBBH5A, TBBH5B, TBBH6A, TBCB1A, TBCB1B, TBCB1D, TBCB1E, TBCB1X, TBCH0D, TBCH0E, TBCH1A, TBCH1B, TBCH2A, TBCH2B, TBCH3A, TBCH3B, TBCHHB, TBDB3G, TBDH3G, TBDH5G este în conformitate cu Directiva 2014/53/UE.

Textul integral al declarației UE de conformitate este disponibil la următoarea adresă internet: www.taitradio.com/eudoc

SK Tait Limited týmto vyhlasuje, že rádiové zariadenie typu TBAB1, TBAC0, TBAH0, TBBA4A, TBBB1A, TBBB1B, TBBC0A, TBBH5A, TBBH5B, TBBH6A, TBCB1A, TBCB1B, TBCB1D, TBCB1E, TBCB1X, TBCH0D, TBCH0E, TBCH1A, TBCH1B, TBCH2A, TBCH2B, TBCH3A, TBCH3B, TBCHHB, TBDB3G, TBDH3G, TBDH5G je v súlade so smernicou 2014/53/UE. Úplné EÚ vyhlásenie o zhode je k dispozícii na tejto internetovej adrese:

SL Tait Limited potrjuje, da je tip radijske opreme TBAB1, TBAC0, TBAH0, TBBA4A, TBBB1A, TBBB1B, TBBC0A, TBBH5A, TBBH5B, TBBH6A, TBCB1A, TBCB1B, TBCB1D, TBCB1E, TBCB1X, TBCH0D, TBCH0E, TBCH1A, TBCH1B, TBCH2A, TBCH2B, TBCH3A, TBCH3B, TBCHHB, TBDB3G, TBDH3G, TBDH5G skladen z Direktivo 2014/53/UE.

Celotno besedilo izjave EU o skladnosti je na voljo na naslednjem spletnem naslovu: www.taitradio.com/eudoc

FI Tait Limited vakuuttaa, että radiolaitetyypit TBAB1, TBAC0, TBAH0, TBBA4A, TBBB1A, TBBB1B, TBBC0A, TBBH5A, TBBH5B, TBBH6A, TBCB1A, TBCB1B, TBCB1D, TBCB1E, TBCB1X, TBCH0D, TBCH0E, TBCH1A, TBCH1B, TBCH2A, TBCH2B, TBCH3A, TBCH3B, TBCHHB, TBDB3G, TBDH3G, TBDH5G on direktiivin 2014/53/EU mukainen. EU-vaatimustenmukaisuusvakuutuksen täysimittainen teksti on saatavilla seuraavassa internetosoitteessa: www.taitradio.com/eudoc

SV Härmed försäkrar Tait Limited att denna typ av radioutrustning TBAB1, TBAC0, TBAH0, TBBA4A, TBBB1A, TBBB1B, TBBC0A, TBBH5A, TBBH5B, TBBH6A, TBCB1A, TBCB1B, TBCB1D, TBCB1E, TBCB1X, TBCH0D, TBCH0E, TBCH1A, TBCH1B, TBCH2A, TBCH2B, TBCH3A, TBCH3B, TBCHHB, TBDB3G, TBDH3G, TBDH5G överensstämmer med direktiv 2014/53/EU.

Den fullständiga texten till EU-försäkran om överensstämmelse finns på följande webbadress: www.taitradio.com/eudoc