

Part C T856 Transmitter & T857 Exciter

This part of the manual is divided into six sections, as listed below. There is a detailed table of contents at the start of each section.

Section	Title
1	General Information
2	Circuit Operation
3	Initial Tuning & Adjustment
4	Functional Testing
5	Fault Finding
6	PCB Information

1 T856/857 General Information

This section provides a brief description of the T856 transmitter and T857 exciter, along with detailed specifications and a list of types available.

The following topics are covered in this section.

Section	Title	Page
1.1	Introduction	1.7
1.2	Specifications	1.8
1.2.1	Introduction	1.8
1.2.2	General	1.8
1.2.3	RF Section	1.9
1.2.4	Audio Processor	1.10
1.2.4.1	Inputs	1.10
1.2.4.2	Modulation Characteristics	1.11
1.2.4.3	CTCSS	1.11
1.2.5	Microcontroller	1.11
1.2.6	Test Standards	1.12
1.2.6.1	European Telecommunication Standard	1.12
1.2.6.2	DTI CEPT Recommendation T/R-24-01	1.12
1.2.6.3	Telecommunications Industry Association	1.12
1.3	Product Codes	1.13
1.4	T856 Standard Product Range	1.14
1.5	T857 Standard Product Range	1.15

Figure	Title	Page
1.1	T856 Main Circuit Block Identification	1.4
1.2	T856 Front Panel Controls	1.4
1.3	T857 Main Circuit Block Identification	1.6
1.4	T857 Front Panel Controls	1.6

replace A4 pages C1.3/C1.4 with A3 pages C1.3/C1.4

replace A4 pages C1.3/C1.4 with A3 pages C1.3/C1.4

replace A4 pages C1.5/C1.6 with A3 pages C1.5/C1.6

replace A4 pages C1.5/C1.6 with A3 pages C1.5/C1.6

1.1 Introduction

The T856 is a synthesised, microprocessor controlled FM base station transmitter designed for single or multichannel operation in the 400 to 520MHz frequency range¹ with a standard power output of 25W. The RF section of the transmitter comprises a frequency synthesiser which provides 100mW of frequency modulated RF drive to a two stage, wide band output driver followed by a 25W power amplifier. A thermal shut-down feature is provided in the T856 in case operating temperatures exceed acceptable levels.

The T857 is a synthesised, microprocessor controlled FM base station exciter designed for single or multichannel operation in the 400 to 520MHz frequency range¹. With a standard power output of only 1W, the exciter is designed for use with the T858 50W or T859 100W power amplifiers. The RF section of the exciter comprises a frequency synthesiser which provides 100mW of frequency modulated RF drive to a two stage, wide band output amplifier.

A wide selection of audio characteristics may be obtained from the audio processor. Optional circuit blocks are an audio compressor and a pre-emphasis stage. They can be bypassed or linked to one or both audio inputs, and then back into the remaining audio circuitry in almost any combination. All audio processor options are link selectable.

The synthesiser frequency is programmed via the serial communications port. Eight channel select lines are accessible via an optional D-range connector (D-range 2 - T800-03-0000) at the rear of the set.

All components except those of the VCO are mounted on a single PCB. This is secured to a die-cast chassis which is divided into compartments to individually shield each section of circuitry. Access to both sides of the main circuit board is obtained by removing each of the chassis lids. There is provision within the chassis to mount small option PCBs.

The front panel controls include line sensitivity, microphone socket and carrier switch. This switch turns on the carrier (unmodulated) as an aid to servicing.

The T856 and T857 are both 60mm wide and each occupies a single space in a Tait rack frame, which has the ability to accommodate up to seven standard modules.

1. Although capable of operating over the 400-520MHz frequency range, the T856 and T857 have an 8MHz switching range (see [Section 1.2.3](#) and [Section 3.1](#)).

1.2 Specifications

1.2.1 Introduction

The performance figures given are minimum figures, unless otherwise indicated, for equipment tuned with the maximum switching range and operating at standard room temperature (+22°C to +28°C) and standard test voltage (13.8V DC).

Where applicable, the test methods used to obtain the following performance figures are those described in the EIA and ETS specifications. However, there are several parameters for which performance according to the CEPT specification is given. Refer to [Section 1.2.6](#) for details of test standards.

Details of test methods and the conditions which apply for Type Approval testing in all countries can be obtained from Tait Electronics Ltd.

The terms "wide bandwidth", "mid bandwidth" and "narrow bandwidth" used in this and following sections are defined in the following table.

	Channel Spacing	Modulation 100% Deviation	Receiver IF Bandwidth
Wide Bandwidth	25kHz	±5.0kHz	15.0kHz
Mid Bandwidth	20kHz	±4.0kHz	12.0kHz
Narrow Bandwidth	12.5kHz	±2.5kHz	7.5kHz

1.2.2 General

Number Of Channels .. 128 (standard)¹

Supply Voltage:

Operating Voltage	.. 10.8 to 16V DC
Standard Test Voltage	.. 13.8V DC
Polarity	.. negative earth only
Polarity Protection	.. crowbar diode
Line Keying Supply (if required)	.. -50V DC

Supply Current:

Transmit	- T856	.. 5.5A (typical)
	- T857	.. 750mA
Standby	- T856	.. 165mA (typical)
	- T857	.. 150mA (typical)

Operating Temperature Range .. -20°C to +60°C

1. Additional channels may be factory programmed. Contact your nearest Tait Dealer or Customer Service Organisation.

Dimensions:

Height	.. 183mm
Width	.. 60mm
Length	.. 322mm
Weight	.. 2.1kg
Time-Out Timer (optional)	.. 0 to 5 minutes ¹ adjustable in 10 second steps
Tail Timer	.. 0 to 5 seconds adjustable in 100ms ² steps
Transmit Key Time	.. <30ms
Transmit Lockout Timer	.. 0 to 1 minute adjustable in 10 second steps

1.2.3 RF Section

Frequency Range	.. 400-520MHz (refer to Section 1.4 and Section 1.5)
Modulation Type	.. FM
Frequency Increment	.. 5 or 6.25kHz
Switching Range	.. 8MHz (i.e. ± 4 MHz from the centre frequency)
Load Impedance	.. 50 ohms
Frequency Stability (see also Section 1.4 and Section 1.5)	.. ± 1 ppm, -20°C to +60°C
Adjacent Channel Power (full deviation):	
Wide Bandwidth (WB) (± 25 kHz/15kHz B/W)	.. -75dBc
Mid Bandwidth (MB) (± 20 kHz/12kHz B/W)	.. -70dBc
Narrow Bandwidth (NB) (± 12.5 kHz/7.5kHz B/W)	.. -65dBc
Transmitter Switching	.. complies with ETS 300 113

1. Adjustable from 0 to 10 minutes in PGM800Win version 2.12 and later.
2. Adjustable in 20ms steps in PGM800Win version 2.12 and later.

Transmitter Side Band Noise:
(no modulation, 15kHz bandwidth)

At $\pm 25\text{kHz}$.. -95dBc
At $\pm 1\text{MHz}$.. -105dBc

Intermodulation .. -40dBc with interfering signal of
-30dBc
.. -70dBc with 25dB isolation
& interfering signal of -30dBc
(PA with output isolator)

T856 Mismatch Capability:

Ruggedness .. refer to your nearest Tait Dealer or
Customer Service Organisation
Stability .. 3:1 VSWR (all phase angles)

Radiated Spurious Emissions:

Transmit .. -36dBm to 1GHz
-30dBm 1GHz to 4GHz
Standby .. -57dBm to 1GHz
-47dBm 1GHz to 4GHz

Conducted Spurious Emissions: (T856 Only)

Transmit .. -36dBm to 1GHz
-30dBm 1GHz to 4GHz
Standby .. -57dBm to 1GHz
-47dBm 1GHz to 4GHz

Power Output:

T856 - Rated Power .. 25W (see Duty Cycle)
- Range Of Adjustment .. 5-25W
T857 .. 1W $\pm 300\text{mW}$

Duty Cycle (T856 Only)

.. 100% @ 25W at $+25^\circ\text{C}$
.. 25% @ 25W at $+60^\circ\text{C}$
.. 100% @ 10W at $+40^\circ\text{C}$

1.2.4 Audio Processor

1.2.4.1 Inputs

Inputs Available .. line, microphone and CTCSS

Line Input:

Impedance .. 600 ohms (balanced)
Sensitivity (60% modulation @ 1kHz)-
With Compressor .. -50dBm
Without Compressor .. -30dBm

Microphone Input:

Impedance	.. 600 ohms
Sensitivity (60% modulation @ 1kHz)- With Compressor	.. -70dBm
Without Compressor	.. -50dBm

1.2.4.2 Modulation Characteristics

Frequency Response (below limiting) .. flat or pre-emphasised (optional)

Line And Microphone Inputs:

Pre-emphasised Response- Bandwidth	.. 300Hz to 3kHz (WB & MB) .. 300Hz to 2.55kHz (NB)
Below Limiting	.. within +1, -3dB of a 6dB/octave pre-emphasis characteristic
Flat Response	.. within +1, -2dB of output at 1kHz
Above Limiting Response	.. within +1, -2dB of a flat response (ref. 1kHz)

Distortion .. 2% max.

Hum And Noise:

Wide Bandwidth	.. -55dB (300Hz to 3kHz [EIA]) typical
Mid Bandwidth	.. -54dB (CEPT)
Narrow Bandwidth	.. -50dB (CEPT)

Compressor (optional):

Attack Time	.. 10ms
Decay Time	.. 800ms
Range	.. 50dB

1.2.4.3 CTCSS

Standard Tones	.. all 37 EIA group A, B and C tones plus 13 commonly used tones
Frequency Error (from EIA tones)	.. 0.08% max.
Generated Tone Distortion	.. 1.2% max.
Generated Tone Flatness	.. flat across 67 to 250.3Hz to within 1dB
Modulation Level	.. adjustable
Modulated Distortion	.. <5%

1.2.5 Microcontroller

Auxiliary Ports:

Open Drain Type	.. capable of sinking 2.25mA via 2k2Ω
V _{ds} max.	.. 5V

1.2.6 Test Standards

Where applicable, this equipment is tested in accordance with the following standards.

1.2.6.1 European Telecommunication Standard

ETS 300 086 January 1991

Radio equipment and systems; land mobile service; technical characteristics and test conditions for radio equipment with an internal or external RF connector intended primarily for analogue speech.

ETS 300 113 March 1996

Radio equipment and systems; land mobile service; technical characteristics and test conditions for radio equipment intended for the transmission of data (and speech) and having an antenna connector.

ETS 300 219 October 1993

Radio equipment and systems; land mobile service; technical characteristics and test conditions for radio equipment transmitting signals to initiate a specific response in the receiver.

ETS 300 279 February 1996

Radio equipment and systems; electromagnetic compatibility (EMC) standard for private land mobile radio (PMR) and ancillary equipment (speech and/or non-speech).

1.2.6.2 DTI CEPT Recommendation T/R-24-01

Annex I: 1988

Technical characteristics and test conditions for radio equipment in the land mobile service intended primarily for analogue speech.

Annex II: 1988

Technical characteristics of radio equipment in the land mobile service with regard to quality and stability of transmission.

1.2.6.3 Telecommunications Industry Association

ANSI/TIA/EIA-603-1992

Land mobile FM or PM communications equipment measurement and performance standards.

1.3 Product Codes

The three groups of digits in the T850 Series II product code provide information about the model, type and options fitted, according to the conventions described below.

The following explanation of T850 Series II product codes is not intended to suggest that any combination of features is necessarily available in any one product. Consult your nearest Tait Dealer or Customer Service Organisation for more information regarding the availability of specific models, types and options.

Model

The Model group indicates the basic function of the product, as follows:

T85X -XX-XXXX	T855 receiver
	T856 25W transmitter
	T857 exciter
	T858 50W power amplifier
	T859 100W power amplifier

Type

The Type group uses two digits to indicate the basic RF configuration of the product.

The first digit in the Type group designates the frequency range:

T85X- X -XXXX	'1' for 400-440MHz
	'2' for 440-480MHz
	'3' for 480-520MHz

The second digit in the Type group indicates the channel spacing:

T85X- XX -XXXX	'0' for wide bandwidth (25kHz)
	'3' for mid bandwidth (20kHz)
	'5' for narrow bandwidth (12.5kHz)
	'6' for United States market only

Options

T85X-XX- XXXX	The Options group uses four digits and/or letters to indicate any options that may be fitted to the product. This includes standard options and special options for specific customers. '0000' indicates a standard Tait product with no options fitted. The large number of options precludes listing them here.
----------------------	---

1.4 T856 Standard Product Range

The following table lists the range of standard T856 types (i.e. no options fitted) available at the time this manual was published. Consult your nearest Tait Dealer or Customer Service Organisation for more information.

Frequency Range (MHz)		400-440			
Deviation (kHz)		2.5	2.5	4	5
TCXO	±1ppm -20°C to +60°C	•	•	•	•
Transmitter Type: T856-		16-0000 ^a	15-0000	13-0000	10-0000

Frequency Range (MHz)		440-480			
Deviation (kHz)		2.5	2.5	4	5
TCXO	±1ppm -20°C to +60°C	•	•	•	•
Transmitter Type: T856-		26-0000 ^a	25-0000	23-0000	20-0000

Frequency Range (MHz)		480-520		
Deviation		2.5	2.5	5
TXCO	±1ppm -20° to +60°C	•	•	•
Transmitter Type: T856-		36-0000 ^a	35-0000	30-0000

a. United States market only.



Caution: T856-1X-XXXX Product Types

The 406 to 406.1MHz frequency range is reserved worldwide for use by Distress Beacons. Do *not* program transmitters to operate in this frequency range.

You can identify the transmitter type by checking the product code printed on a label on the rear of the chassis (Figure 1.1 in Part A shows typical labels). You can further verify the transmitter type by checking the placement of an SMD resistor in the table that is screen printed onto the PCB (refer to Section 6.1 for more details).

1.5 T857 Standard Product Range

The following table lists the range of standard T857 types (i.e. no options fitted and cyclic keying disabled) available at the time this manual was published. Consult your nearest Tait Dealer or Customer Service Organisation for more information.

Frequency Range (MHz)	400-440			
Deviation (kHz)	2.5	2.5	4	5
TCXO	±1ppm -20°C to +60°C			
Exciter Type: T857-	16-0000 ^a	15-0000	13-0000	10-0000

Frequency Range (MHz)	440-480			
Deviation (kHz)	2.5	2.5	4	5
TCXO	±1ppm -20°C to +60°C			
Exciter Type: T857-	26-0000 ^a	25-0000	23-0000	20-0000

Frequency Range (MHz)	480-520		
Deviation	2.5	2.5	5
TXCO	±1ppm -20° to +60°C		
Exciter Type: T857-	36-0000 ^a	35-0000	30-0000

a. United States market only.



Caution: T857-1X-XXXX Product Types

The 406 to 406.1MHz frequency range is reserved worldwide for use by Distress Beacons. *Do not* program exciters to operate in this frequency range.

You can identify the exciter type by checking the product code printed on a label on the rear of the chassis (Figure 1.1 in Part A shows typical labels). You can further verify the exciter type by checking the placement of an SMD resistor in the table that is screen printed onto the PCB (refer to Section 6.1 for more details).

2 T856/857 Circuit Operation

This section provides a basic description of the circuit operation of the T856 transmitter and T857 exciter.

Note: Unless otherwise specified, the term "PGM800Win" used in this and following sections refers to version 2.00 and later of the software.

Refer to Section 6 where the parts lists, grid reference index and diagrams will provide detailed information on identifying and locating components and test points on the main PCB. The parts list and diagrams for the VCO PCB are in Part E.

The following topics are covered in this section.

Section	Title	Page
2.1	Introduction	2.3
2.2	Microcontroller	2.4
2.3	Synthesised Local Oscillator	2.5
2.3.1	Two Point Modulation	2.6
2.4	VCO	2.7
2.4.1	VCO Supply	2.7
2.5	Audio Processor	2.8
2.5.1	General	2.8
2.5.2	Audio Inputs	2.8
2.5.3	Keying Inputs	2.9
2.5.4	Compressor (Automatic Level Control (ALC))	2.9
2.5.5	Outputs To Modulators	2.9
2.6	Power Supply & Regulator Circuits	2.10
2.7	Transmit Timers	2.11
2.8	T856 Drive Amplifier & PA	2.12
2.9	T857 Exciter Drive Amplifier	2.13

Figure	Title	Page
2.1	T856 High Level Block Diagram	2.3
2.2	T857 High Level Block Diagram	2.3
2.3	T856/857 Microcontroller Block Diagram	2.4
2.4	T856/857 Synthesiser Block Diagram	2.5
2.5	T856/857 Two Point Modulation	2.6
2.6	T856/857 Audio Processor Block Diagram	2.8
2.7	T856/857 Power Supply & Regulators Block Diagram	2.10
2.8	T856/857 Transmit Timers	2.11

2.1 Introduction

The individual circuit blocks which make up the T856 and T857 are:

- synthesiser
- VCO
- audio processor
- drive amplifier
- power amplifier (T856 only)
- voltage regulators.

Each of these circuit blocks is set in its own shielded compartment, formed as an integral part of the main chassis.

The configuration of the circuit blocks may be seen on a functional level in [Figure 2.1](#) and [Figure 2.2](#). Refer to the circuit diagrams in Section 6.2 (T856) or 6.3 (T857) for more detail.

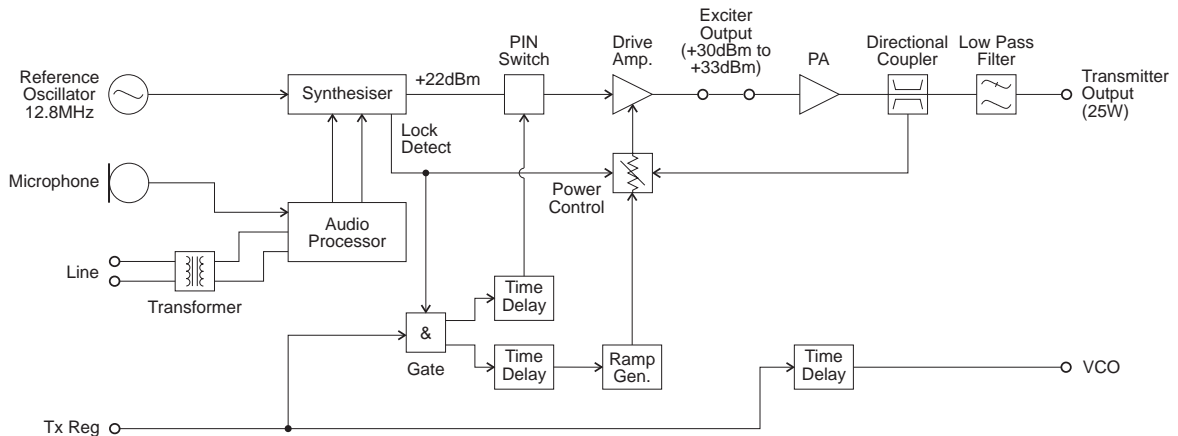


Figure 2.1 T856 High Level Block Diagram

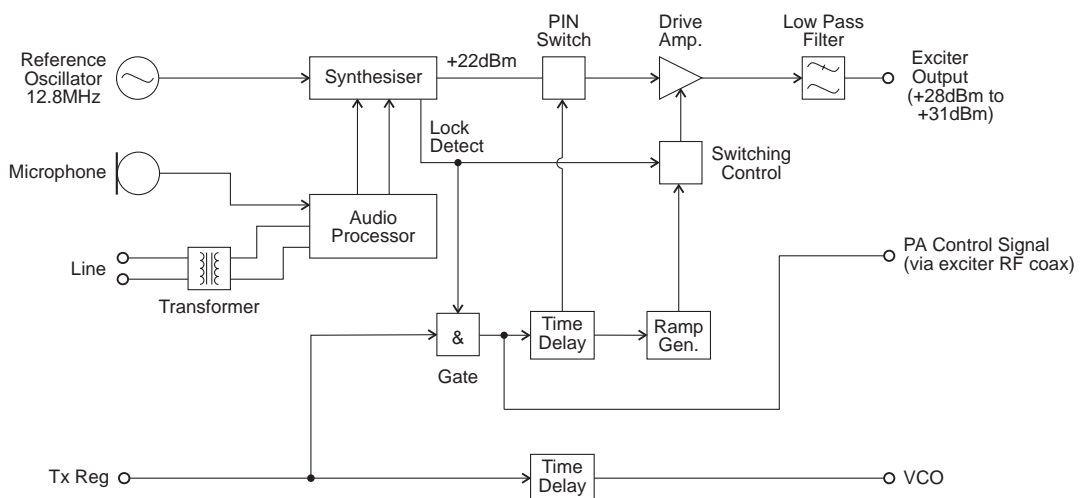


Figure 2.2 T857 High Level Block Diagram

2.2 Microcontroller

(Refer to the microcontroller circuit diagram (sheet 8) in Section 6.2 or 6.3.)

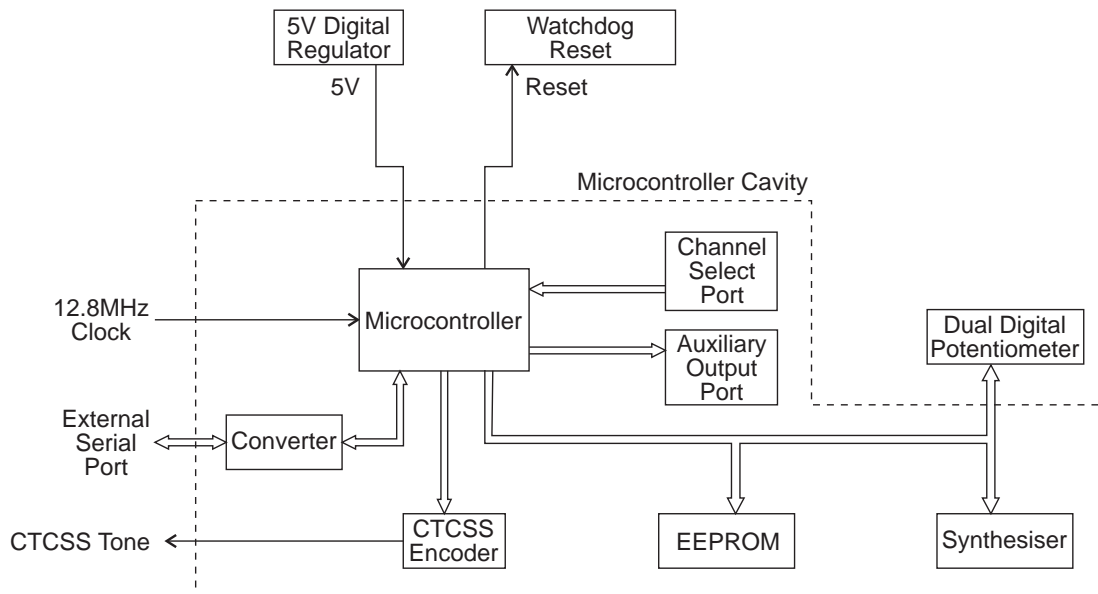


Figure 2.3 T856/857 Microcontroller Block Diagram

Overall system control of the T856/857 is accomplished by the use of a member of the 80C51 family of microcontrollers (IC810). It runs from internal ROM and RAM, thus leaving all four ports free for input/output functions.

Non-volatile data storage is achieved by serial communication with a 16kBit EEPROM (IC820). This serial bus is also used by the microcontroller to program the synthesiser (IC740) and deviation control EPOTS (IC220).

The main tasks of the microcontroller are as follows:

- program the synthesiser and EPOT;
- interface with the PGM800Win programming software at 9600 baud via the serial communication lines on D-range 1 (PL100) & D-range 2;
- monitor channel change inputs from D-range 2;
- generate timing waveforms for CTCSS encoding;
- coordinate and implement timing control of the exciter/transmitter.
- control the front panel "Supply" LED (refer to [Section 5.3](#)).

2.3 Synthesised Local Oscillator

(Refer to the synthesiser circuit diagram (sheet 7) in Section 6.2 or 6.3 and the VCO circuit diagram in Part E.)

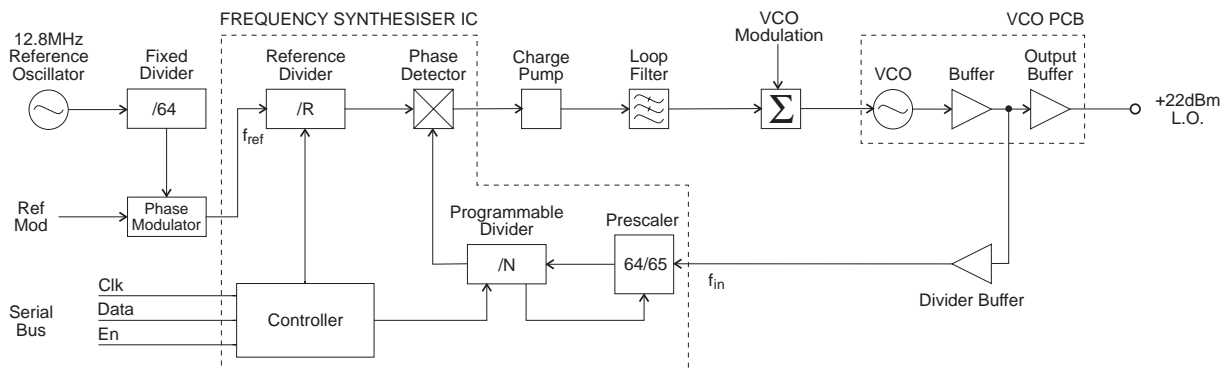


Figure 2.4 T856/857 Synthesiser Block Diagram

The synthesiser (IC740) employs a phase-locked loop (PLL) to lock a voltage controlled oscillator (VCO) to a given reference frequency. The synthesiser receives the divider information from the control microprocessor via a 3 wire serial bus (clock, data, enable). When the data has been latched in, the synthesiser processes the incoming signals from the VCO buffer (f_{in}) and the phase modulator (f_{ref}).

A reference oscillator at 12.8MHz (=IC700) is buffered (IC710 pins 3 & 4) and divided down to 200kHz (IC730). This 200kHz square wave is then summed with the modulating audio and passed to an integrator (IC720 pins 9 & 8, Q710, Q720). This produces a ramping waveform which is centred around a DC level determined by the incoming audio. IC720 pins 5 & 6 perform as a comparator, ultimately producing a phase-modulated 200kHz square wave. This is followed by another phase shifting stage (IC720 pins 3 & 4, Q730, Q740), before being divided down to 6.25kHz or 5kHz within the synthesiser IC (IC740).

A buffered output of the VCO (Q795) is divided with a prescaler and programmable divider which is incorporated into the synthesiser chip (IC740). This signal is compared with the phase modulated reference signal at the phase detector (also part of the synthesiser chip). The phase detector outputs drive a balanced charge pump circuit (Q760, Q770, Q775, Q780, Q785) and active loop filter (IC750 pins 5, 6 & 7, Q790) which produces a DC voltage between 0V and 20V to tune the VCO. This VCO control line is further filtered to attenuate noise and other spurious signals. Note that the VCO frequency increases with increasing control voltage.

If the synthesiser loop loses lock, a pulsed signal appears at LD (pin 2) of IC740. This signal is filtered and buffered by IC750 pins 1, 2 & 3, producing the Lock-Detect signal used to shut off the power supply to the drive amplifier. IC750 pin 1 is at 20V when the synthesiser is out of lock.

2.3.1 Two Point Modulation

Frequency modulation occurs by modulating both the VCO input and the synthesiser reference input. This process is called two point modulation and ensures a flat modulation response from 67Hz to 3kHz (2.55kHz for narrow bandwidth).

The PLL has a fast response time, allowing a Tx key-up time of <30ms. Because of this fast response time the PLL sees lower modulation frequencies superimposed on the VCO as an error and corrects for it, resulting in no modulation on the carrier. At modulation frequencies greater than 300Hz the loop cannot correct fast enough and modulation is seen on the carrier. The response of the loop to VCO modulation is shown by f_2 in Figure 2.5 below.

To achieve low frequency modulation, the reference oscillator is also modulated so that the phase detector of IC740 detects no frequency error under modulation. Thus, the synthesiser loop will not attempt to correct for modulation and the audio frequency response of the transmitter remains unaffected. The response of the loop to reference frequency modulation is shown by f_1 in Figure 2.5.

The reference modulation is controlled by a 256-step 10k electronic potentiometer (EPOT) which is adjustable via PGM800Win. The EPOT is made up of 256 resistive sections (representing approximately 39Ω each) which can be individually addressed by the microcontroller. Each section can be switched in or out of circuit to achieve the required total resistance, thus giving control of the reference modulation.

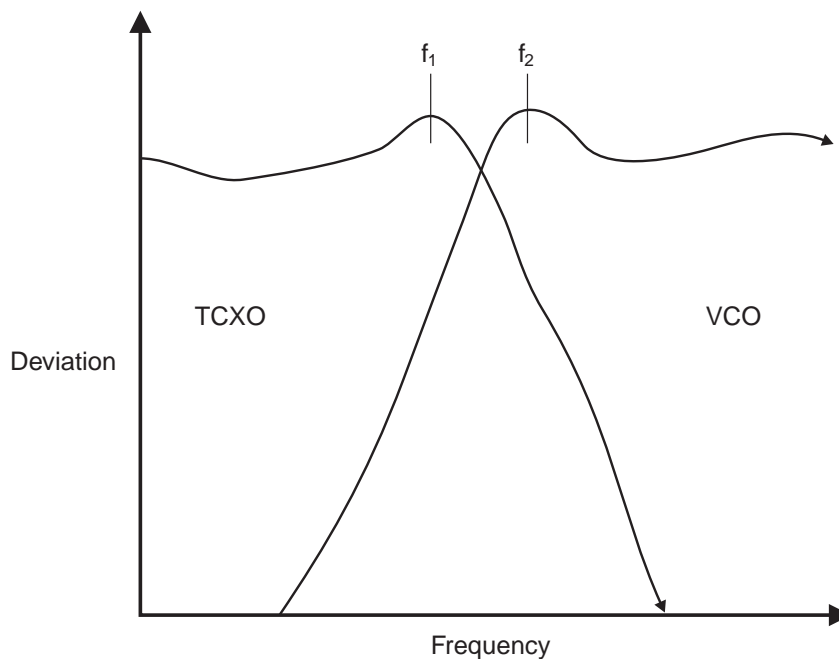


Figure 2.5 T856/857 Two Point Modulation

2.4 VCO

(Refer to the VCO circuit diagram in Part E.)

The VCO transistor (Q1) operates in a common emitter configuration, with an LC tank circuit coupled between its gate and drain to provide the feedback necessary for oscillation. The VCO control voltage from the loop filter (IC750) is applied to the varicaps (D1-D2) to facilitate tuning within an 8MHz band of frequencies. A trimcap (C6) is used for coarse tuning of the VCO. The output from the oscillator circuit drives a cascode amplifier stage (Q2, Q3) which supplies +10dBm (typically) to a further stage of amplification, Q5. This is the final amplifier on the VCO PCB, and delivers +20dBm (typically) to the exciter drive amplifier.

A low level "sniff" is taken from the input to Q5 and used to drive the divider buffer for the synthesiser (IC740).

The VCO operates at the actual output frequency of the exciter, i.e. there are no multiplier stages. It is modulated by superimposing the audio signal onto the control voltage and by phase modulating the reference signal.

2.4.1 VCO Supply

The VCO is supplied from two switched +9V supplies under the control of the Tx-Reg. supply.

The VCO and buffer amplifier are supplied from one +9V switched supply by Q540 via the C multiplier (Q550, C530 on the T856 and C550 on the T857).

The output amplifier is supplied from the other +9V supply by Q520, Q530, and Q510.

A delay circuit holds the VCO on for a short time after the Tx-Reg. supply has been switched off. This is to allow the RF power circuits (both exciter and PA) to ramp down in the correct manner before the VCO is switched off.

2.5 Audio Processor

(Refer to the audio processor circuit diagram (sheet 2) in Section 6.2 or 6.3.)

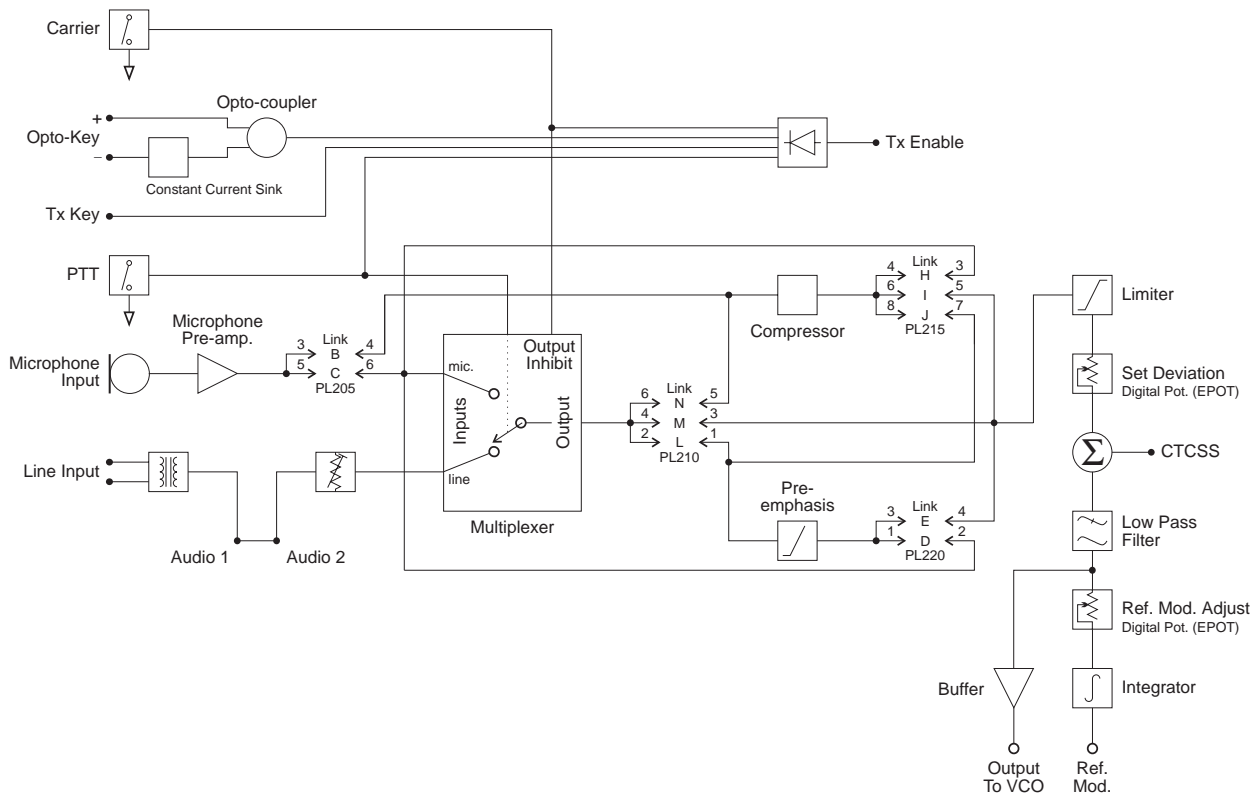


Figure 2.6 T856/857 Audio Processor Block Diagram

2.5.1 General

The audio processor comprises several link selectable circuit blocks which may be configured in a variety of combinations to suit individual requirements. The pre-emphasis network and compressor may be linked individually or cascaded between either or both audio inputs and the limiter.

Refer to [Section 3.5.1](#) for linking details.

2.5.2 Audio Inputs

Two audio inputs are available: one from a 600 ohm balanced (or unbalanced) line, and the other from a local microphone. The microphone signal is passed first to a pre-amplifier (Q210) and ultimately to a multiplexer (IC240), but in between may pass through the compressor (depending on the linking details). The line transformer is also connected to the multiplexer and is disabled by the microphone PTT switch.

A third input for external CTCSS tones is also provided.

2.5.3 Keying Inputs

There are four ways to key the exciter:

- pulling the Tx-Key line low (pin 13 on D-range 1 [PL100]) at the rear of the set);
- pushing the "Carrier" button on the front panel - this will inhibit all audio;
- using the PTT button on the local microphone, disabling audio from the line;
- via the opto-key inputs (pins 11 and 12 on D-range 1 [PL100]) when electrical isolation is required. This features a constant current sink (Q270) to ensure reliable activation of the opto-coupler (IC250) at low keying voltages.

2.5.4 Compressor (Automatic Level Control (ALC))

The input signal is fed via a current controlled attenuator (Q230, Q220) to a high gain stage (IC230) from which the output signal is taken. This signal is passed to a comparator (IC230) which toggles whenever the audio signal exceeds a DC threshold determined by RV220. Thus, the comparator produces a square wave whose mark-space ratio is determined by the amplitude of the audio signal. This square wave pumps up the reservoir capacitor (C233) which controls the attenuator (Q230, Q220), thus completing the feedback loop.

The compression level is set by adjustment of the comparator threshold (RV220).

Note: Although the high dynamic range of the compressor allows the use of very low audio signal levels, such conditions will be accompanied by a degradation of the signal-to-noise ratio. Very low audio input levels should therefore be avoided where possible.

2.5.5 Outputs To Modulators

The output signal from the limiter (IC210, IC230) is summed with a CTCSS tone at a summing amplifier (IC260). The signal is then low pass filtered (IC260) and split to supply the two modulators.

Since the VCO modulator is a true frequency modulator, its audio is simply buffered (IC260). The reference modulator, however, is a phase modulator and its audio must first be integrated (IC210).

It is vital that the audio levels to the modulators are accurately set, *relative to each other*. Hence the inclusion of level adjustment in the reference modulator path. Once set, adjustments to absolute deviation may be made only by IC220, a 256-step 10k electronic potentiometer (EPOT), which is controlled via PGM800Win. The EPOT is made up of 256 resistive sections (representing approximately 39Ω each) which can be individually addressed by the microcontroller. Each section can be switched in or out of circuit to achieve the required total resistance, thus adjusting the absolute deviation level.

2.6 Power Supply & Regulator Circuits

(Refer to the regulators circuit diagram (sheet 6) in Section 6.2 or 6.3.)

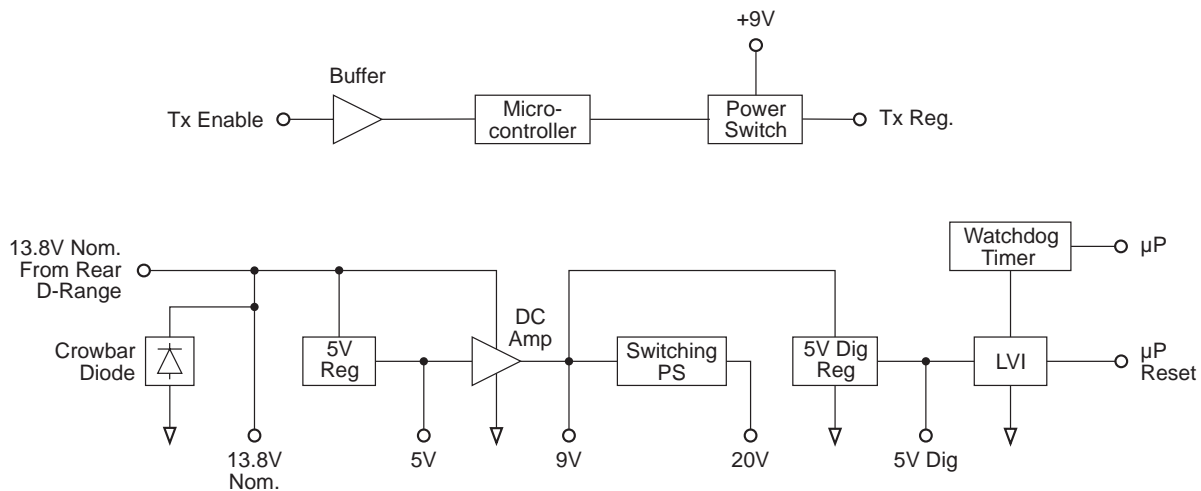


Figure 2.7 T856/857 Power Supply & Regulators Block Diagram

The T856 and T857 are designed to operate from a 10.8-16V DC supply (13.8V nominal). A 5.3V regulator (IC630) runs directly from the 13.8V rail, driving much of the synthesiser circuitry. It is also used as the reference for a DC amplifier (IC640, Q630, Q620) which provides a medium current capability 9V supply. The T856 has a regulator (IC370) which produces 9V for use in the exciter and audio circuits.

A switching power supply (Q660, Q670) runs from the 9V supply and provides a low current capability +20V supply. This is used to drive the synthesiser loop filter (IC750), giving a VCO control voltage range of up to 20V.

Ultimate control of the transmitter is via the Tx-Reg. supply, switched from 9V by Q610. This is enabled via the Tx-Enable signal from the audio processor, and microprocessor.

A crowbar diode is fitted for protection against connection to a power supply of incorrect polarity. It also provides transient overvoltage protection.

Note: A fuse must be fitted in the power supply line for the diode to provide effective protection.

2.7 Transmit Timers

The transmit tail timer, transmit timeout timer and transmit lockout timer can all be set from PGM800Win. The fields for setting these are found on the system information page. These three timers operate as follows (refer also to [Figure 2.8](#)):

Timer	Function	Adjustment
Transmit Tail	Sets the tail time during which the transmitter stays keyed after the external key source has been removed.	0-5 seconds in 100ms steps ^a
Transmit Timeout	Sets the maximum continuous transmission time. Once the timer has timed out, the transmitter must be keyed again, unless prevented by the transmit lockout timer.	0-300 seconds ^b in 10 second steps
Transmit Lockout	Sets the period of time that must elapse after a timeout before the transmitter can re-transmit. Once the timer has timed out, the transmitter can be keyed again.	0-60 seconds in 10 second steps

a. Adjustable in 20ms steps in PGM800Win version 2.12 and later.

b. Adjustable from 0 to 600 seconds in PGM800Win version 2.12 and later.

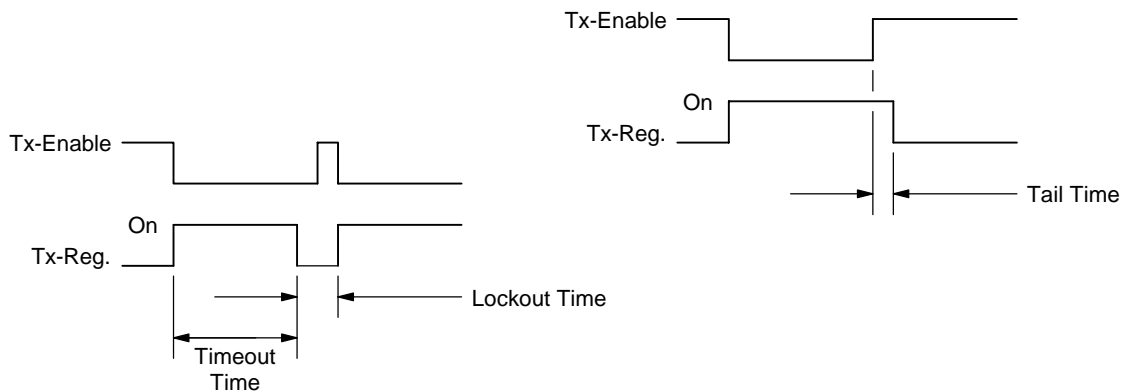


Figure 2.8 T856/857 Transmit Timers

2.8 T856 Drive Amplifier & PA

(Refer to [Figure 2.1](#) and the exciter and PA circuit diagrams (sheets 3 & 4) in Section 6.2.)

The output power of the PA is maintained at a constant level via a power control loop applied to the two-stage, wide band exciter amplifier (Q350, Q355). The forward and reverse RF power levels are sensed via a dual directional coupler and detector diodes (D440, D420 in the PA cavity). The detected DC signals are buffered (IC330 pins 3 & 5) and then summed with the 'power control' level and fed to the control integrator (IC350 pin 6). The output control voltage is buffered by Q310 and Q315, and applied to the collector of the wide band exciter amplifier.

Note: Forward and reflected power signals are summed so that, under high VSWR, the power control will turn the output RF level down.

To reduce the spurious output level when the synthesiser is out-of-lock, the Tx-Reg. and Lock-Detect signals are gated to inhibit the PA control circuit and to switch off the RF signal at the input to the drive amplifier. This is achieved by a PIN switch attenuator (D340, D380, D360).

Cyclic keying control is provided by additional circuitry consisting of several time delay, ramp and gate stages:

- Q325, IC350 power ramping
- Q355, Q325 Tx-Reg. and $\overline{\text{Lock-Detect}}$ gate
- Q335, Q340, Q345 delay and PIN switch drive.

This is to allow the RF power circuits (both exciter and PA) to ramp up and down in a controlled manner so that minimal adjacent channel interference is generated during the transition.

The output of the wide band amplifier is approximately 1W (+30dBm) for an input of 100mW (+20dBm) from the VCO, when the power control is set to maximum.

A temperature sensor (R481) is provided so that the RF output power can be reduced to a preset level when a set temperature is exceeded. This is a protection circuit (IC350 pin 1, Q320) to prevent overheating, as the unit is *not* rated for continuous operation (refer to [Section 1.2.3](#) for duty cycle specifications).

#R517, #R518 and #R519 form an attenuator to provide good VCO/exciter isolation as well as the correct exciter drive level.

The attenuator (#R395, #R396 and #R397) aids in producing the correct exciter drive level to the PA over the three frequency ranges.

The RF output from the exciter is fed to the driver stage (Q410) and then to the final (Q420). DC is fed to the final via a low pass filter with special low frequency decoupling. CV475 tunes the output matching across the entire band.

2.9 T857 Exciter Drive Amplifier

(Refer to [Figure 2.2](#) and the exciter circuit diagram (sheet 3) in Section 6.3.)

A two-stage, wide band amplifier (Q304, Q305) provides an output level of approximately 1W (+30dBm) for an input of 100mW (+20dBm) from the VCO. IC300 pin 1, Q302, and Q303 provide a 9V regulated supply for the exciter.

To reduce the spurious output level when the synthesiser is out-of-lock, the Tx-Reg. and Lock-Detect signals are gated to inhibit the exciter control circuit and to switch off the RF signal at the input to the drive amplifier. This is achieved by a PIN switch attenuator (D201, D202, D203).

Cyclic keying control is provided by additional circuitry consisting of several time delay, ramp and gate stages:

- Q301, Q302, Q303, IC300 power ramping
- Q310, Q311 Tx-Reg. and $\overline{\text{Lock-Detect}}$ gate
- Q306, Q307, Q308, Q309 delay and PIN switch drive.

This is to allow the RF power circuits (both exciter and PA) to ramp up and down in a controlled manner so that minimal adjacent channel interference is generated during the transition.

R517, R518 and R519 form a 3dB attenuator to provide good VCO/drive amplifier isolation as well as the correct exciter drive level

Note: The exciter provides a DC control signal to the PA via the RF coax. This is injected via L314.

3 T856/857 Initial Tuning & Adjustment



Caution: This equipment contains CMOS devices which are susceptible to damage from static charges. Refer to [Section 1.2](#) in Part A for more information on anti-static procedures when handling these devices.

The following section describes both short and full tuning and adjustment procedures and provides information on:

- channel programming
- selecting required audio links
- synthesiser alignment
- PA alignment (T856 only)
- modulator adjustment
- limiter adjustment
- setting line level
- compressor adjustment
- timer adjustment.

Note: Unless otherwise specified, the term "PGM800Win" used in this and following sections refers to version 2.00 and later of the software.

Refer to [Figure 4.4](#) and [Figure 4.5](#) which show the location of the main tuning and adjustment controls. Refer also to Section 6 where the parts lists, grid reference index and diagrams will provide detailed information on identifying and locating components and test points on the main PCB. The parts list and diagrams for the VCO PCB are in Part E.

Section	Title	Page
3.1	Introduction	3.3
3.2	Channel Programming	3.3
3.3	Test Equipment Required	3.4
3.4	Short Tuning Procedure	3.5
3.4.1	Introduction	3.5
3.4.2	Synthesiser Alignment	3.5
3.4.3	Output Power Adjustment (T856 Only)	3.5
3.4.4	Two Point Modulation Adjustment	3.6
3.4.5	CTCSS Encoder (If Used)	3.7
3.4.6	FM Deviation (Limiter) Adjustment	3.7
3.4.7	Line-in Level Adjustment	3.7

Section	Title	Page
3.5	Audio Processor Links	3.8
3.5.1	Link Details	3.8
3.5.2	Typical Options	3.8
3.6	Synthesiser Alignment	3.9
3.7	PA Alignment (T856 Only)	3.10
3.8	Thermal Shutdown (T856 Only)	3.10
3.9	Audio Processor & CTCSS	3.11
3.9.1	Two Point Modulation	3.11
3.9.2	Modulator Adjustment	3.11
3.9.3	CTCSS Encoder (If Used)	3.12
3.9.4	Limiter Adjustment	3.12
3.9.5	Line Level Without Compressor	3.13
3.9.6	Compressor	3.13
3.9.6.1	Compressor On Line Input Only	3.13
3.9.6.2	Compressor On Microphone Input Only	3.13
3.9.6.3	Compressor On Both Line & Microphone Inputs	3.14

Figure	Title	Page
3.1	T856/857 Test Equipment Set-up With T800-01-0010	3.4
3.2	T856/857 Test Equipment Set-up Without T800-01-0010	3.4

3.1 Introduction

When you receive your T856 transmitter or T857 exciter it will be run up and working on a particular frequency (the "default channel")¹. If you want to switch to a frequency that is within the 8MHz switching range (i.e. ± 4 MHz from the factory programmed frequency), you should only need to reprogram the transmitter/exciter with the PGM800Win software (refer to the PGM800Win programming kit and [Section 3.2](#) below).

However, if you want to switch to a frequency outside the 8MHz switching range, you will have to reprogram and re-tune the transmitter/exciter to ensure correct operation. In this case you should carry out the short tuning procedure described in [Section 3.4](#).

If you have carried out repairs or other major adjustments, you must carry out the full tuning and adjustment procedure described in this section (except for [Section 3.4](#)).

3.2 Channel Programming

You can program up to 128 channel frequencies into the transmitter/exciter's EEPROM memory (IC820) by using the PGM800Win software package and an IBM™ PC. You can also use PGM800Win to select the transmitter/exciter's current operating frequency (or "default channel").

If the transmitter/exciter is installed in a rack frame, you can program it via the programming port in the speaker panel. However, you can also program the transmitter/exciter before it is installed in a rack frame as follows:

- by using a T800-01-0010 calibration test unit;
- via D-range 1;
- via D-range 2 (standard T800-03-0000 auxiliary D-range only);
- via SK805 (internal Micromatch connector).

If you do not use the T800-01-0010, you will have to connect the PC to the transmitter/exciter via a module programming interface (such as the T800-01-0004).

For a full description of the channel programming procedure, refer to the PGM800Win programming software user's manual.

Note: When an auxiliary D-range kit (D-range 2 - T800-03-0000) is fitted, you can also select a channel with an external switch, such as the DIP switch on the rack frame backplane PCB. Refer to Part C in the T800 Series Ancillary Equipment Service Manual (M800-00-101 or later issue) or consult your nearest Tait Dealer or Customer Service Organisation for further details.

1. Use the "Read Module" function in PGM800Win to find out what the default channel is.

3.3 Test Equipment Required

You will need the following test equipment:

- computer with PGM800Win installed
 - T800 programming kit
 - module programming interface (e.g. T800-01-0004 - optional)
 - 13.8V power supply
 - digital multimeter
 - audio signal generator
 - RF power meter
 - audio voltmeter x 2
 - modulation meter
 - oscilloscope (digital preferred)
 - 20dB or 40dB pad
 - T800-01-0010 calibration test unit (optional)
- } or RF test set (optional)

Figure 3.1 and Figure 3.2 show typical test equipment set-ups.

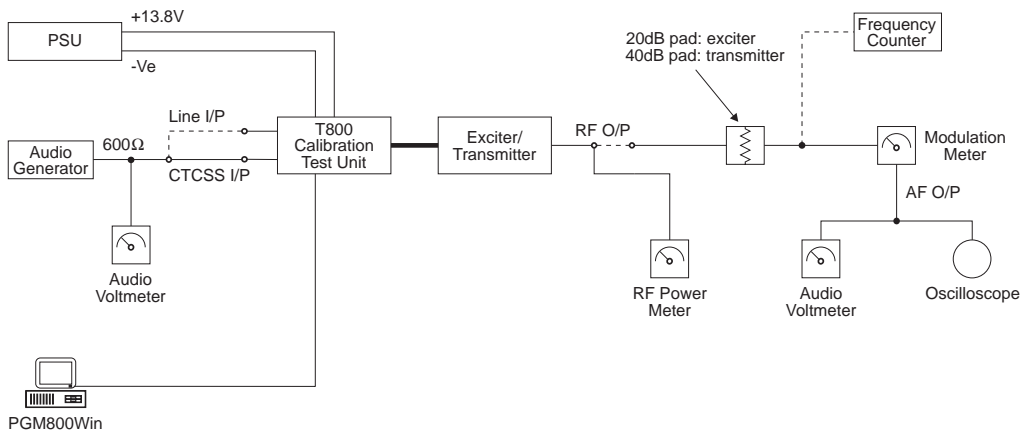


Figure 3.1 T856/857 Test Equipment Set-up With T800-01-0010

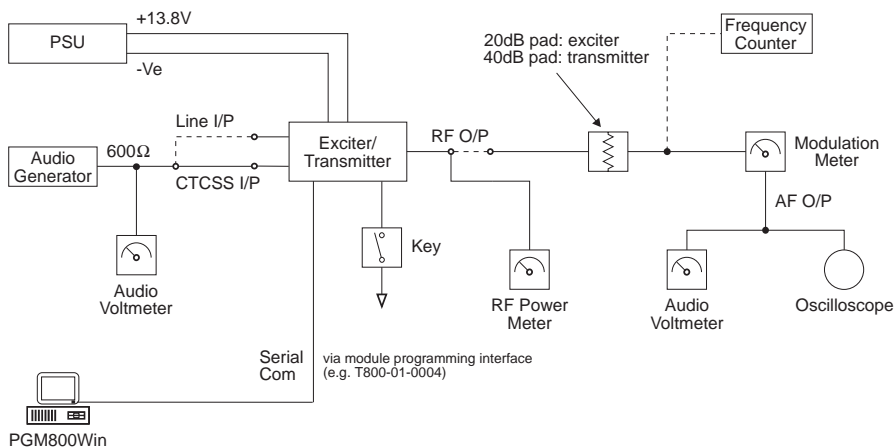


Figure 3.2 T856/857 Test Equipment Set-up Without T800-01-0010

3.4 Short Tuning Procedure

Use this procedure only if you want to reprogram the T856/857 to a frequency outside the 8MHz switching range and do not intend to carry out any other major adjustments or repairs.

3.4.1 Introduction

Reprogram the operating frequency as described in the PGM800Win programming kit (refer to [Section 3.2](#)).

Remove the top cover (nearest the handle).

Set up the test equipment as described in [Section 3.3](#).

Set the links in the audio processor section as required (refer to [Section 3.5](#)).

3.4.2 Synthesiser Alignment

- Connect a high impedance voltmeter to the long lead of L1 in the VCO (this measures the synthesiser loop voltage).
- Key the transmitter by earthing the Tx-Key line.
- **Single Channel** Tune VCO trimmer C6 for a synthesiser loop voltage of 10V.
- **Multichannel** Tune VCO trimmer C6 for a synthesiser loop voltage of 10V on the middle channel.
If there is no middle channel, tune C6 so that the channels are symmetrically placed around a loop voltage of 10V.
All channels should lie within the upper and lower limits of 16V and 3V respectively.
Do not attempt to program channels with a greater frequency separation than the specified switching range of 8MHz.

3.4.3 Output Power Adjustment (T856 Only)

Connect an RF power meter with suitable attenuation to the output socket and key the transmitter.

Turn RV310 (power control) fully clockwise.

Tune #CV475 (output power trim) for maximum output power and check that this is >30W.

Adjust RV310 for the required output power (between 5 and 25W).

Readjust #CV475 to reduce the supply current by up to 0.5A.

3.4.4 Two Point Modulation Adjustment

Note 1: In this and following sections deviation settings are given first for wide bandwidth sets, followed by settings in brackets for mid bandwidth sets () and narrow bandwidth sets [].

Note 2: The reference modulation and limiter adjustments are controlled by 256-step electronic potentiometers (EPOTs), which are adjusted via the “Reference Modulation” and “Deviation” settings in PGM800Win. This allows the two point modulation and deviation settings to be adjusted for each channel.

Note 3: To optimise the modulation response across the switching range, repeat steps 1-4 below for each channel that will be used (usually needed only for data applications). In applications where the modulation response is less critical (e.g. voice use only), carry out steps 1-4 below on the middle channel and use the “EPOT Fill” option¹ in PGM800Win to copy the value to the other channels.

Note 4: If you are using an RF test set, turn the low pass filter off and set the high pass filter to 15kHz *before* beginning this procedure.

1. Inject an audio signal of 300Hz 1.5V rms (+5dBm) into the CTCSS input (D-range 1 (PL100) pin 8).

Key the transmitter by earthing the Tx-Key line.

2. Adjust the output from the audio generator to obtain $\pm 3\text{kHz}$ ($\pm 2.4\text{kHz}$) [$\pm 1.5\text{kHz}$] deviation at 300Hz.

3. Change the input frequency to 100Hz and, using PGM800Win, adjust the value of the “Reference Modulation” EPOT setting for the current channel to obtain $\pm 3\text{kHz}$ ($\pm 2.4\text{kHz}$) [$\pm 1.5\text{kHz}$] deviation (you can use either the mouse or up and down arrow keys).

4. Change the input frequency back to 300Hz.

Repeat steps 2 and 3 above until the deviations achieved at the two input frequencies are within 0.2dB of each other. You will need to do this at least four times.

5. Sweep the audio between 50 and 300Hz for peaks.

Note: A peak between 50 and 300Hz will indicate a fault condition, i.e:

- incorrect set-up
- or - modulation circuitry fault.

The specification window is $\pm 1\text{dB}$ relative to 150Hz from 67 to 260Hz.

1. Use the “EDIT FILL” button on the tool bar or go to “Edit”, “Fill”, “Epot Settings” on the menu bar.

3.4.5 CTCSS Encoder (If Used)

Program a CTCSS tone on the default channel using PGM800Win.

If you are using an RF test set, turn off the 300Hz high pass filter.

Key the T856/857 with the front panel "Carrier" switch.

Adjust RV805 (CTCSS level adjust) to give $\pm 500\text{Hz}$ ($\pm 350\text{Hz}$) [$\pm 250\text{Hz}$] deviation.

Set the maximum deviation as per [Section 3.4.6](#).

3.4.6 FM Deviation (Limiter) Adjustment

Note: If the T856/857 will be used over the whole 8MHz switching range, you must set the deviation for each channel. However, if the module will be used on frequencies that cover only a 1MHz (or less) switching range, you can set the deviation on the middle channel and use this value for all other channels with the "EPOT Fill" option in PGM800Win.

Inject 1kHz at -10dBm into the line input (D-range 1 (PL100) pins 1 & 4; pins 2 & 3 shorted; refer to [Section 2.2](#) of Part F).

Adjust RV210 (line sensitivity) fully clockwise and key the transmitter by earthing the Tx-Key line. Using PGM800Win, adjust the value of the "Deviation" EPOT setting for the current channel to obtain a deviation limit of $\pm 4.7\text{kHz}$ ($\pm 3.8\text{kHz}$) [$\pm 2.3\text{kHz}$] (you can use either the mouse or up and down arrow keys).

Sweep the audio frequency from 100Hz to 4kHz and ensure that the maximum deviation does not exceed $\pm 4.7\text{kHz}$ ($\pm 3.8\text{kHz}$) [$\pm 2.3\text{kHz}$]. Readjust "Deviation" if necessary via PGM800Win.

3.4.7 Line-in Level Adjustment

Remove the CTCSS signal (if used).

Set the injected signal at the line input to the required line level (typically -10 to -20dBm).

Adjust RV210 (line sensitivity) to provide $\pm 3\text{kHz}$ ($\pm 2.4\text{kHz}$) [$\pm 1.5\text{kHz}$] deviation.

Reapply the CTCSS signal (if required).

3.5 Audio Processor Links

3.5.1 Link Details

Use the following table to set up the audio processor to the configuration you require. You should set the audio processor links before carrying out any of the tuning and adjustment procedures. The factory settings are shown in brackets [].

Plug	Link ^a	Function
PL205	1-2 A	not connected
	[3-4] B	microphone pre-amp. output to compressor input
	5-6 C	microphone pre-amp. output to multiplexer input
PL210	[1-2] L	multiplexer output to pre-emphasis input
	3-4 M	multiplexer output to limiter input
	5-6 N	multiplexer output to compressor input
PL215	1-2 G	not connected
	[3-4] H	compressor output to multiplexer input
	5-6 I	compressor output to limiter input
	7-8 J	compressor output to pre-emphasis input
	9-10 K	not connected
PL220	1-2 D	pre-emphasis output to multiplexer input
	[3-4] E	pre-emphasis output to limiter input
	5-6 F	not connected

- a. The letters in this column and in the table in [Section 3.5.2](#) below refer to the identification letters screen printed onto the PCB beside each pair of pins.

3.5.2 Typical Options

	PL205	PL210	PL215	PL220
microphone pre-amp. compressed and pre-emphasised; line input pre-emphasised (standard set-up)	[3-4] B	[1-2] L	[3-4] H	[3-4] E
microphone pre-amp. compressed and pre-emphasised; line input unprocessed	3-4 B	3-4 M	7-8 J	1-2 D
line and microphone compressed and pre-emphasised	5-6 C	5-6 N	7-8 J	3-4 E
microphone pre-amp. compressed; line and microphone flat response	3-4 B	3-4 M	3-4 H	5-6 F

3.6 Synthesiser Alignment

- Ensure that the T856/857 has been programmed with the required frequencies using PGM800Win software.
- **Single Channel** Select a channel using PGM800Win.
Multichannel Select the middle channel via PGM800Win.
- Connect a high impedance voltmeter to the long lead of L1 in the VCO (this measures the synthesiser loop voltage).
- Key the transmitter by earthing the Tx-Key line.
Single Channel Tune VCO trimmer C6 for a synthesiser loop voltage of 10V.
Multichannel Tune VCO trimmer C6 for a synthesiser loop voltage of 10V on the middle channel.

If there is no middle channel, tune C6 so that the channels are symmetrically placed around a loop voltage of 10V.

All channels should lie within the upper and lower limits of 16V and 3V respectively.

Do not attempt to program channels with a greater frequency separation than the specified switching range (8MHz).
- Check that the exciter output power is 1W \pm 300mW (**T857 only**).
- Measure the exciter output frequency and adjust the TCXO (=IC700) trimmer if required.



Caution: This trimmer is susceptible to physical damage. Do not exert a downward force of more than 500g (1lb) when adjusting.

3.7 PA Alignment (T856 Only)

Check that the exciter is connected to the PA with the coaxial link.

Connect an RF power meter to the PA output (use an appropriate attenuator as necessary).

Turn RV310 (power control) fully clockwise.

Note: Before the following measurement is taken, ensure the heatsink is at ambient temperature (20-25°C).

Measure and record the voltage (VL) at L481; perform this measurement at room temperature so that the NTC (R481) is close to 25°C.

Key the transmitter by earthing the Tx-Key line.

Tune #CV475 until maximum power is obtained. Check that the power exceeds 30W.

Adjust RV310 (power control) to 25W.

Readjust #CV475 to reduce the supply current by up to 0.5A.

3.8 Thermal Shutdown (T856 Only)

Key the transmitter by earthing the Tx-Key line and set the output power to 25W as described in [Section 3.7](#).

Short L481 to ground.

Set RV330 (shutdown power level) for an output power of 5W.

Set RV320 (shutdown temperature) to 0.16VL volts (measured at IC350 pin 3), where VL is the voltage measured at L481 in [Section 3.7](#). This sets the thermal shutdown at 85°C at NTC R481.

3.9 Audio Processor & CTCSS

3.9.1 Two Point Modulation

The T856 and T857 utilise two point modulation to obtain a wide audio bandwidth independent of the synthesiser loop filter response. This is achieved by simultaneously frequency modulating the VCO and phase modulating the synthesiser reference frequency. The relative signal levels fed to the two modulators are quite critical and cause interaction when setting up.

Both modulating signals require readjustment when the exciter is shifted in frequency greater than the switching range (i.e. $\Delta F > \pm 4\text{MHz}$).

Note 1: In this and following sections deviation settings are given first for wide bandwidth sets, followed by settings in brackets for mid bandwidth sets () and narrow bandwidth sets [].

Note 2: The reference modulation and limiter adjustments are controlled by 256-step electronic potentiometers (EPOTs), which are adjusted via the “Reference Modulation” and “Deviation” settings in PGM800Win. This allows the two point modulation and deviation settings to be adjusted for each channel.

Note 3: To optimise the modulation response across the switching range, repeat steps 1-4 below for each channel that will be used (usually needed only for data applications). In applications where the modulation response is less critical (e.g. voice use only), carry out steps 1-4 below on the middle channel and use the “EPOT Fill” option¹ in PGM800Win to copy the value to the other channels.

Note 4: If you are using an RF test set, turn the low pass filter off and set the high pass filter to 15kHz *before* beginning this procedure.

3.9.2 Modulator Adjustment

1. Inject an audio signal of 300Hz 1.5V rms (+5dBm) into the CTCSS input (D-range 1 (PL100) pin 8).

Key the transmitter by earthing the Tx-Key line.

2. Adjust the output from the audio generator to obtain $\pm 3\text{kHz}$ ($\pm 2.4\text{kHz}$) [$\pm 1.5\text{kHz}$] deviation at 300Hz.
3. Change the input frequency to 100Hz and, using PGM800Win, adjust the value of the “Reference Modulation” EPOT setting for the current channel to obtain $\pm 3\text{kHz}$ ($\pm 2.4\text{kHz}$) [$\pm 1.5\text{kHz}$] deviation (you can use either the mouse or up and down arrow keys).

-
1. Use the “EDIT FILL” button on the tool bar or go to “Edit”, “Fill”, “Epot Settings” on the menu bar.

4. Change the input frequency back to 300Hz.
Repeat steps 2 and 3 above until the deviations achieved at the two input frequencies are within 0.2dB of each other. You will need to do this at least four times.
5. Sweep the audio between 50 and 300Hz for peaks.

Note: A peak between 50 and 300Hz will indicate a fault condition, i.e:

- incorrect set-up
- or - modulation circuitry fault.

The specification window is ± 1 dB relative to 150Hz from 67 to 260Hz.

3.9.3 CTCSS Encoder (If Used)

Program a CTCSS tone on the default channel using PGM800Win.

If you are using an RF test set, turn off the 300Hz high pass filter.

Key the T856/857 with the front panel "Carrier" switch.

Adjust RV805 (CTCSS level adjust) to give ± 500 Hz (± 350 Hz) [± 250 Hz] deviation.

Set the maximum deviation as per [Section 3.9.4](#).

3.9.4 Limiter Adjustment

Note: If the T856/857 will be used over the whole 8MHz switching range, you must set the deviation for each channel. However, if the module will be used on frequencies that cover only a 1MHz (or less) switching range, you can set the deviation on the middle channel and use this value for all other channels with the "EPOT Fill" option in PGM800Win.

Set the links in the audio processor section as required (refer to [Section 3.5](#)).

Inject 1kHz at -10dBm into the line input (D-range 1 (PL100) pins 1 & 4; and pins 2 & 3 shorted; refer to [Section 2.2](#) of Part F).

Adjust RV210 (line sensitivity) fully clockwise and key the transmitter by earthing the Tx-Key line. Using PGM800Win, adjust the value of the "Deviation" EPOT setting for the current channel to obtain a deviation limit of ± 4.7 kHz (± 3.8 kHz) [± 2.3 kHz] (you can use either the mouse or up and down arrow keys).

Sweep the audio frequency from 100Hz to 4kHz and ensure that the maximum deviation does not exceed ± 4.7 kHz (± 3.8 kHz) [± 2.3 kHz]. Readjust "Deviation" if necessary via PGM800Win.

3.9.5 Line Level Without Compressor

This section assumes that the compressor is not used. If the compressor is required, refer to [Section 3.9.6](#).

Remove the CTCSS signal (if used).

Adjust the line sensitivity as follows:

- set the injected signal at the line input to the required line level (typically -10 to -20dBm);
- adjust RV210 (line sensitivity) to provide $\pm 3\text{kHz}$ ($\pm 2.4\text{kHz}$) [$\pm 1.5\text{kHz}$] deviation.

Reapply the CTCSS signal (if required).

3.9.6 Compressor

The compressor may be used on the line input only, the microphone input only, or on both the line and microphone inputs. If the compressor is used, refer to one of the following sections as appropriate.

3.9.6.1 Compressor On Line Input Only

Set RV210 (line sensitivity) fully clockwise and key the transmitter by earthing the Tx-Key line.

Reduce the line level to -50dBm at 1kHz and set RV220 (compression level) fully clockwise.

Check that $\pm 3\text{kHz}$ deviation ($\pm 2.4\text{kHz}$) [$\pm 1.5\text{kHz}$] is still available.

Slowly increase the audio input level until the demodulated waveform shows significant signs of clipping (approximately $\pm 4.5\text{kHz}$ ($\pm 3.6\text{kHz}$) [$\pm 2.3\text{kHz}$] deviation).

Adjust RV220 anticlockwise until the demodulated waveform is just clipping (approximately $\pm 4\text{kHz}$ ($\pm 3.2\text{kHz}$) [$\pm 2\text{kHz}$] deviation).

Increase the input level to -10dBm and check that the test tone is still held just into clipping. The input line level should be typically -10 to -20dBm.

3.9.6.2 Compressor On Microphone Input Only

Key the transmitter by earthing the Tx-Key line and plug a microphone jack into the front panel socket.

Adjust RV220 (compression level) fully clockwise.

Acoustically couple the microphone to a tone box (1kHz) and close the PTT switch.

Increase the audio level until the demodulated waveform shows significant signs of clipping (approximately $\pm 4.5\text{kHz}$ ($\pm 3.6\text{kHz}$) [$\pm 2.3\text{kHz}$] deviation).

Adjust RV220 anticlockwise until the demodulated waveform is just clipping (approximately $\pm 4\text{kHz}$ ($\pm 3.2\text{kHz}$) [$\pm 2\text{kHz}$] deviation).

Increase the audio level by 10dB and verify that the test tone is held just into clipping.

Whistle steadily into the microphone, checking that approximately $\pm 4\text{kHz}$ ($\pm 3.2\text{kHz}$) [$\pm 2\text{kHz}$] deviation is produced. The modulated waveform should be basically sinusoidal.

Speak into the microphone, checking that the modulation peaks reach about $\pm 5\text{kHz}$ ($\pm 4\text{kHz}$) [$\pm 2.5\text{kHz}$] deviation.

As the line is to be used without compression, set RV210 (line sensitivity) as described in [Section 3.9.5](#).

3.9.6.3 Compressor On Both Line & Microphone Inputs

Set up as described in [Section 3.9.6.1](#).

4 T856/857 Functional Testing



Caution: This equipment contains CMOS devices which are susceptible to damage from static charges. Refer to [Section 1.2](#) in Part A for more information on anti-static procedures when handling these devices.

The following test procedures will confirm that the T856/857 has been tuned and adjusted correctly and is fully operational.

Note 1: In this and following sections deviation settings are given first for wide bandwidth sets, followed by settings in brackets for mid bandwidth sets () and narrow bandwidth sets [].

Note 2: Unless otherwise specified, the term "PGM800Win" used in this and following sections refers to version 2.00 and later of the software.

Refer to [Figure 4.4](#) and [Figure 4.5](#) for the location of the main tuning and adjustment controls, and to [Section 3.3](#) for the test equipment set-up. Refer also to Section 6 where the parts lists, grid reference index and diagrams will provide detailed information on identifying and locating components and test points on the main PCB. The parts list and diagrams for the VCO PCB are in Part E.

The following topics are covered in this section.

Section	Title	Page
4.1	Current Consumption	4.3
4.2	Output Power	4.3
4.3	Output Frequency	4.3
4.4	Timers	4.3
4.5	Frequency Response	4.4
4.6	Audio Level Input Sensitivity	4.7

Figure	Title	Page
4.1	T856/857 Transmit Timers	4.4
4.2	T856/857 Pre-emphasis Response	4.5
4.3	T856/857 Limiting Response	4.6
4.4	T856 Main Tuning & Adjustment Controls	4.9
4.5	T857 Main Tuning & Adjustment Controls	4.11

4.1 Current Consumption

Connect the T856/857 to a 13.8V power supply.

Connect an RF power meter to the T856/857 output socket.

Check that the current in the 13.8V power cable is less than 150mA.

Key the T856/857 by earthing the Tx-Key line (the carrier "On" LED should light).

T856 Only: Adjust RV310 (power control) to obtain 25W output power.

Check that the current is as follows:

T856	<5.5A
T857	<750mA.

4.2 Output Power

Connect an RF power meter with suitable attenuation to the T856/857 output socket.

Key the T856/857 by earthing the Tx-Key line.

Check that:

T856	the output power adjusts to $\geq 25\text{W}$ with RV310 (power control) turned fully clockwise
T857	the output power is $1\text{W} \pm 300\text{mW}$.

4.3 Output Frequency

Connect the T856/857 output to a frequency counter via an attenuator pad:

T856	40dB pad
T857	20dB pad.

Measure the output frequency and, if necessary, adjust the TCXO (=IC700) to trim to the nominal frequency ($\pm 100\text{Hz}$).

4.4 Timers

The transmit tail timer, transmit timeout timer and transmit lockout timer can all be set from PGM800Win. The fields for setting these are found on the system information page. These three timers operate as follows (refer also to [Figure 4.1](#)):

Timer	Function	Adjustment
Transmit Tail	Sets the tail time during which the transmitter stays keyed after the external key source has been removed.	0-5 seconds in 100ms steps ^a
Transmit Timeout	Sets the maximum continuous transmission time. Once the timer has timed out, the transmitter must be keyed again, unless prevented by the transmit lockout timer.	0-300 seconds ^b in 10 second steps
Transmit Lockout	Sets the period of time that must elapse after a timeout before the transmitter can re-transmit. Once the timer has timed out, the transmitter can be keyed again.	0-60 seconds in 10 second steps

- a. Adjustable in 20ms steps in PGM800Win version 2.12 and later.
b. Adjustable in 20ms steps in PGM800Win version 2.12 and later.

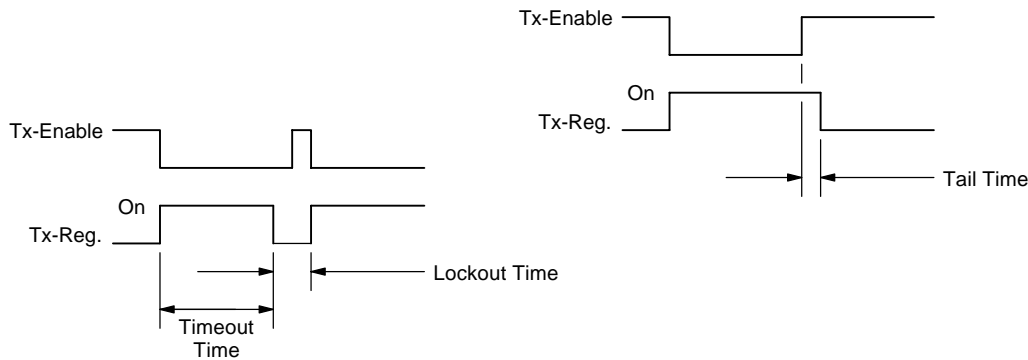


Figure 4.1 T856/857 Transmit Timers

4.5 Frequency Response

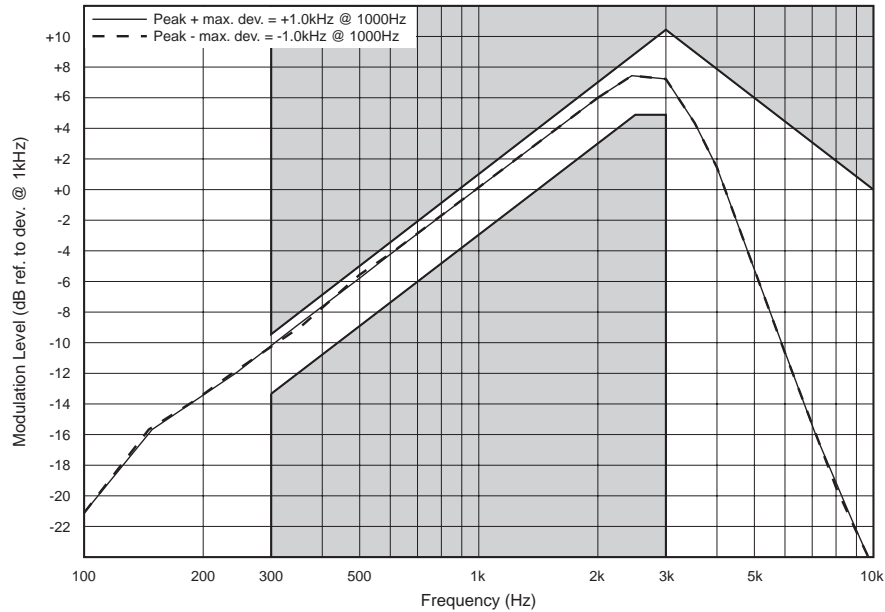
If the T856/857 has been correctly adjusted, the pre-emphasis and limiting responses should closely match those shown in [Figure 4.2](#) and [Figure 4.3](#) respectively.

Note: The limits shown on these graphs should not be exceeded.

- If you are using an RF test set, turn off all filters.
- Measure the pre-emphasis response as follows:
 - Reduce the line level to give $\pm 1\text{kHz}$ ($\pm 0.8\text{kHz}$) [$\pm 0.5\text{kHz}$] deviation at 1kHz.
 - Sweep the modulation frequency.
 - The response should closely match that shown in [Figure 4.2](#).
- Measure the limiting response as follows:
 - Set the line level to give $\pm 3\text{kHz}$ ($\pm 2.4\text{kHz}$) [$\pm 1.5\text{kHz}$] deviation at 1kHz.

Increase the line level 20dB and sweep the modulation frequency.
The response should closely match that shown in [Figure 4.3](#).

Wide Bandwidth



Mid Bandwidth

The mid bandwidth graph is the same shape as the wide bandwidth graph. The deviation figures are as follows:

$$\begin{aligned} \text{peak + max. deviation} &= +0.8\text{kHz} \\ \text{peak - max. deviation} &= -0.8\text{kHz} \end{aligned}$$

Narrow Bandwidth

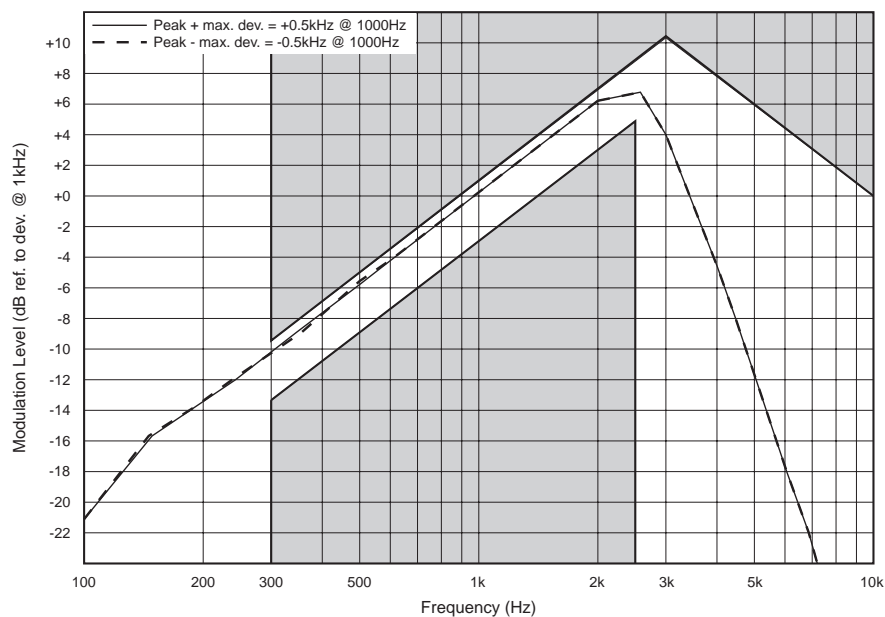
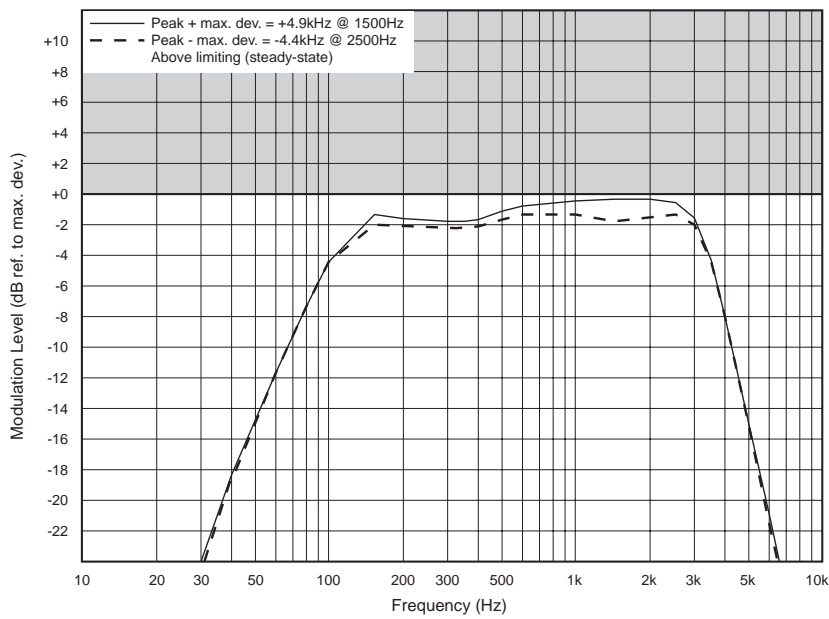


Figure 4.2 T856/857 Pre-emphasis Response

Wide Bandwidth



Mid Bandwidth

The mid bandwidth graph is the same shape as the wide bandwidth graph. The deviation figures are as follows:

- peak + max. deviation = +4kHz
- peak - max. deviation = -4kHz.

Narrow Bandwidth

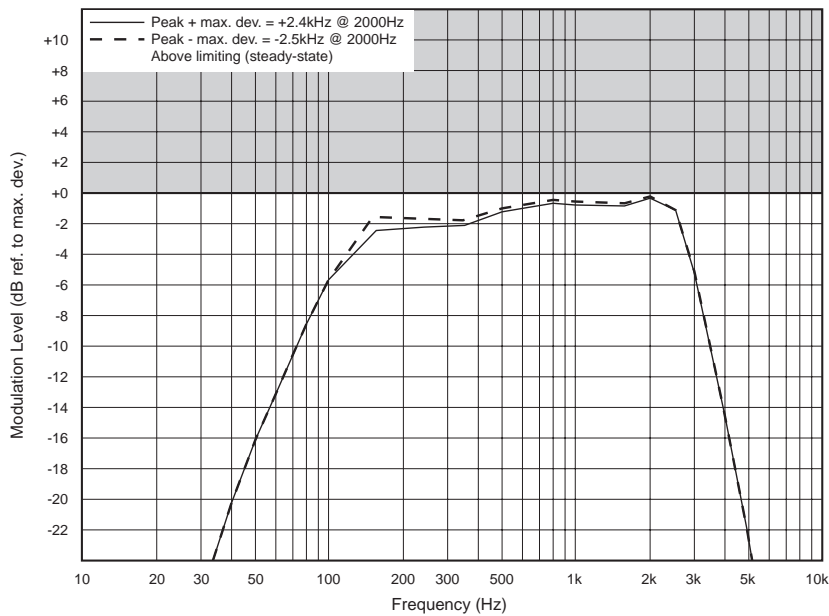


Figure 4.3 T856/857 Limiting Response

4.6 Audio Level Input Sensitivity

- Adjust RV210 (line sensitivity) fully clockwise.
- Check that the input sensitivities are better than those specified below:

Line Input	600 ohms, $\pm 3\text{kHz}$ ($\pm 2.4\text{kHz}$) [$\pm 1.5\text{kHz}$] deviation at 1kHz: with compressor -50dBm without compressor -30dBm
Microphone Input	600 ohms, $\pm 3\text{kHz}$ ($\pm 2.4\text{kHz}$) [$\pm 1.5\text{kHz}$] deviation at 1kHz: with compressor -75dBm without compressor -55dBm
CTCSS Input	1kHz deviation at 150Hz 500mV rms

Note: A degraded signal to noise ratio can be expected with the compressor selected. The extent of the degradation is dependent on the audio input level.

5 T856/857 Fault Finding



Caution: This equipment contains CMOS devices which are susceptible to damage from static charges. Refer to [Section 1.2](#) in Part A for more information on anti-static procedures when handling these devices.

The following test procedures and fault finding flow charts may be used to help locate a hardware problem, however they are by no means a complete fault finding procedure. If you still cannot trace the fault after progressing through them in a logical manner, contact your nearest Tait Dealer or Customer Service Organisation. If necessary, you can get additional technical help from Customer Support, Radio Systems Division, Tait Electronics Ltd, Christchurch, New Zealand (full contact details are on page 2).

Note 1: In this and following sections deviation settings are given first for wide bandwidth sets, followed by settings in brackets for mid bandwidth sets () and narrow bandwidth sets [].

Note 2: Unless otherwise specified, the term "PGM800Win" used in this and following sections refers to version 2.00 and later of the software.

Refer to Section 6 where the parts lists, grid reference index and diagrams will provide detailed information on identifying and locating components and test points on the main PCB. The parts list and diagrams for the VCO PCB are in Part E.

The following topics are covered in this section

Section	Title	Page
5.1	Visual Checks	5.3
5.2	Component Checks	5.3
5.3	Front Panel LED Indicator	5.3
5.4	DC Checks	5.4
5.4.1	Power Rails	5.4
5.4.2	VCO Locking	5.4
5.5	RF Checks	5.5
5.5.1	T856 Drive Power	5.5
5.5.2	T856 PA Output Power	5.5
5.5.3	T857 Output Power	5.5
5.5.4	Audio And Modulation	5.6
5.6	PGM800Win Generated Errors	5.7

Section	Title	Page
5.7	Fault Finding Charts	5.8
5.7.1	Microcontroller	5.8
5.7.1.1	Basic Checks	5.8
5.7.1.2	Serial Communications	5.9
5.7.1.3	CTCSS Encode	5.10
5.7.2	Regulator	5.11
5.7.3	Synthesiser	5.12
5.7.4	T856 Drive Amplifier	5.15
5.7.5	T856 PA & Power Control	5.16
5.7.6	T857 Exciter Drive Amplifier	5.17
5.7.7	Audio Processor	5.18
5.8	To Replace The T856 PA Transistors (Q410 & Q420)	5.19

Figure	Title	Page
5.1	RF Diode Probe Circuit	5.5
5.2	Typical Transistor/Capacitor Spacing (Not To Scale)	5.19

5.1 Visual Checks

Remove the covers from the T856/857 and inspect the PCB for damaged or broken components, paying particular attention to the surface mounted devices (SMD's).

Check for defective solder joints. If repair or replacement is considered necessary, refer to [Section 3](#) of Part A.

5.2 Component Checks

If you suspect a transistor is faulty, you can assess its performance by measuring the forward and reverse resistance of the junctions. Unless the device is completely desoldered, first make sure that the transistor is not shunted by some circuit resistance. Use a good quality EVM (e.g. Fluke 75) for taking the measurements (or a 20k ohm/V or better multimeter, using only the medium or low resistance ranges).

The collector current drawn by multi-junction transistors is a further guide to their performance.

If an IC is suspect, the most reliable check is to measure the DC operating voltages. Due to the catastrophic nature of most IC failures, the pin voltages will usually be markedly different from the recommended values in the presence of a fault. The recommended values can be obtained from either the circuit diagram or the component data catalogue.

5.3 Front Panel LED Indicator

The green "Supply" LED on the T856/857 front panel will flash according to the conditions described in the following table:

Flash Rate	Condition
<p style="text-align: center;">fast</p> <p style="text-align: center;">- - - - - (1/3 sec. on/1/3 sec. off approx.)</p>	T856/857 is linked with PGM800Win
<p style="text-align: center;">unequal</p> <p style="text-align: center;">- - - - - (1/3 sec. on/1 sec. off approx.)</p>	microcontroller has detected an internal communications error - refer to Section 5.7.1

Where two or more conditions occur at the same time, the precedence is in the order shown above (i.e. T856/857 linked has the highest priority, followed by internal error).

5.4 DC Checks

5.4.1 Power Rails

Refer to the test points and options diagrams in Section 6 for test point locations, and to the regulator fault finding chart ([Section 5.7.2](#)) for fault diagnosis.

Check the 13.8V (TP601) and 9V (TP602) supplies at their test points in the regulator compartment with a DMM.

Check the 5V (TP604) and 20V (TP603) rails at their respective test points in the regulator compartment.

Check that Tx-Reg. (TP305 in the exciter compartment) comes up to 8.8V when the exciter is keyed.

Check the +5V digital regulator output (TP607 in the regulator compartment).

T856 Only: Check the 9V supply (IC370 pin 1) with a DMM.

Check for short circuits.

5.4.2 VCO Locking

Key the exciter.

Using a DMM, monitor the VCO control voltage on the long lead of L1 on the VCO PCB.

If the synthesiser is locked and the VCO aligned, the voltage at this point should be between 3 and 16V.

If the VCO is not locked, refer to the synthesiser fault finding chart ([Section 5.7.3](#)).

5.5 RF Checks

In-circuit RF levels may be measured with an RF probe on which the earth lead has been shortened to a minimum (i.e. 13mm). Refer to the circuit diagrams for typical levels.

Figure 5.1 shows a suitable RF probe circuit..

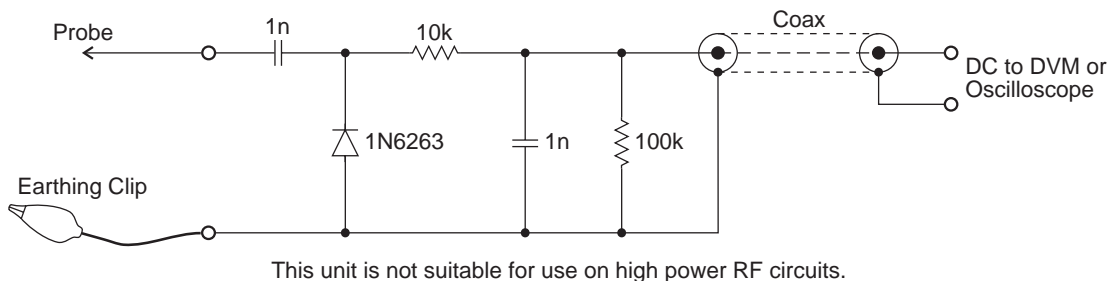


Figure 5.1 RF Diode Probe Circuit

5.5.1 T856 Drive Power

Refer to the drive amplifier fault finding chart ([Section 5.7.4](#)).

Ensure that the VCO locks (refer to [Section 5.4.2](#)).

Connect the drive output to a power meter and key the transmitter.

Check that the exciter output power (SK310) is >1.5W.

Note: If the synthesiser is out of lock, the lock detector (synthesiser IC740 and comparator IC750) will prevent the RF signal from reaching the PA by switching the supply to the exciter amplifier (Q350, Q355).

5.5.2 T856 PA Output Power

Reconnect the drive output to the PA input.

Connect the PA to a power meter and key the transmitter.

Check that the output power is >30W with RV310 (power control) adjusted fully clockwise.

5.5.3 T857 Output Power

Refer to the exciter drive amplifier fault finding chart ([Section 5.7.6](#)).

Ensure that the VCO locks (refer to [Section 5.4.2](#)).

Connect the exciter output to a power meter and key the exciter.

Check that the output power is $1W \pm 300mW$.

Note: If the synthesiser is out of lock, the lock detector (synthesiser IC740 and comparator IC750) will prevent the RF signal from reaching the PA by switching the supply to the exciter amplifier (Q301, IC300, Q302, Q303).

5.5.4 Audio And Modulation

Refer to the audio processor fault finding chart ([Section 5.7.7](#)).

Set up the audio processor as described in [Section 3.9](#).

Check that the demodulated RF output has the frequency response referred to in [Section 4.5](#) with at least $\pm 5kHz$ ($\pm 4kHz$) [$\pm 2.5kHz$] deviation available at 1kHz modulating frequency.

If the above result is not achieved, either the two modulators are incorrectly adjusted or a fault condition exists.

5.6 PGM800Win Generated Errors

The following errors are those most likely to occur using PGM800Win. Refer to the PGM800Win software user's manual for a complete list of error messages.

Channel Switch Set

The programmed default channel change was not accepted by the base station because a channel is selected externally. Try turning the external channel switch off to change the default channel in PGM800Win.

Synth Out Of Lock

The synthesiser received incorrect data, or the data was corrupted. Enter a frequency within the VCO switching range, or tune the VCO.

Internal Error

Data could not be read from the base station due to an internal error. Check for shorts or open circuits on the SDA, SCK, SYNTH and EPOT lines. The SDA, SCK and SYNTH are normally high, and the EPOT is normally low.

Write/Read To An Unlinked Module

The link to the module does not exist. Undefined error.

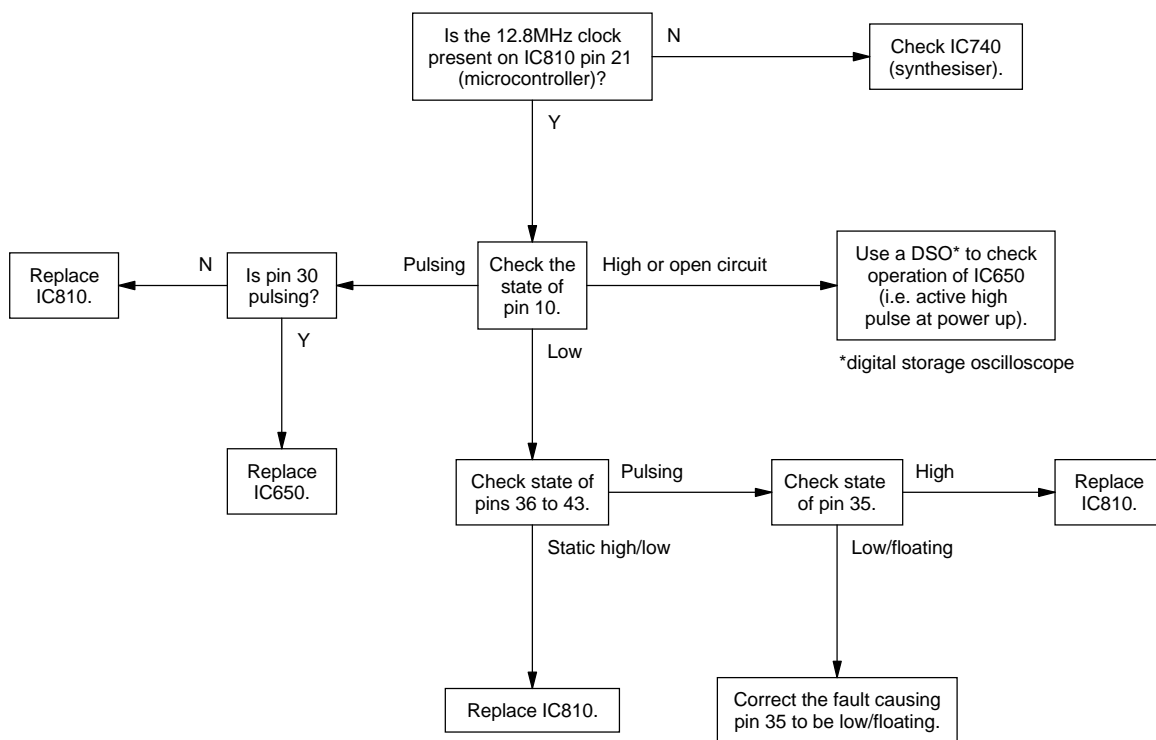
5.7 Fault Finding Charts

Note: The standard test point designations used in this section are as follows:

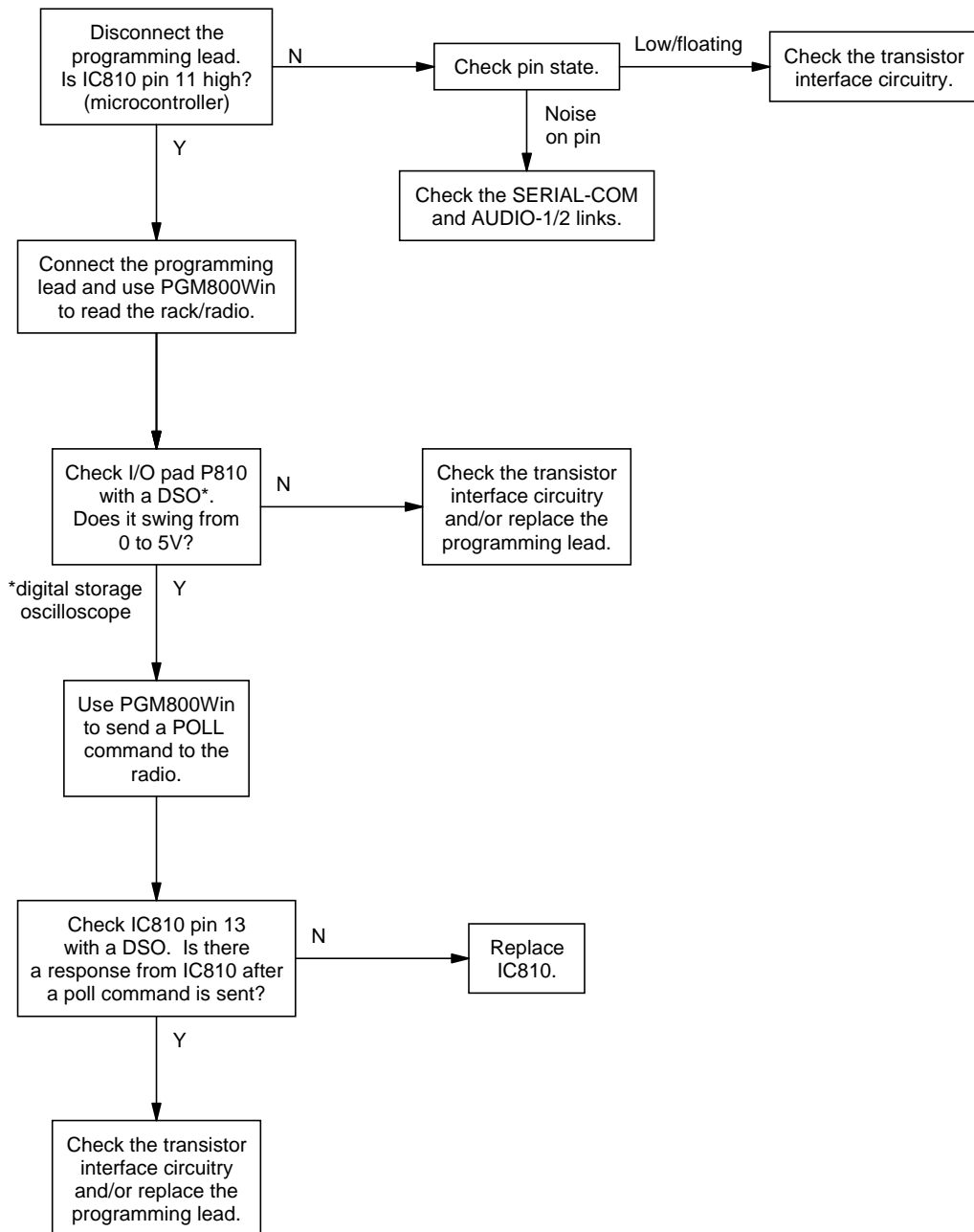
TP601	13.8V
TP602	9V
TP603	20V
TP604	5V

5.7.1 Microcontroller (IC810)

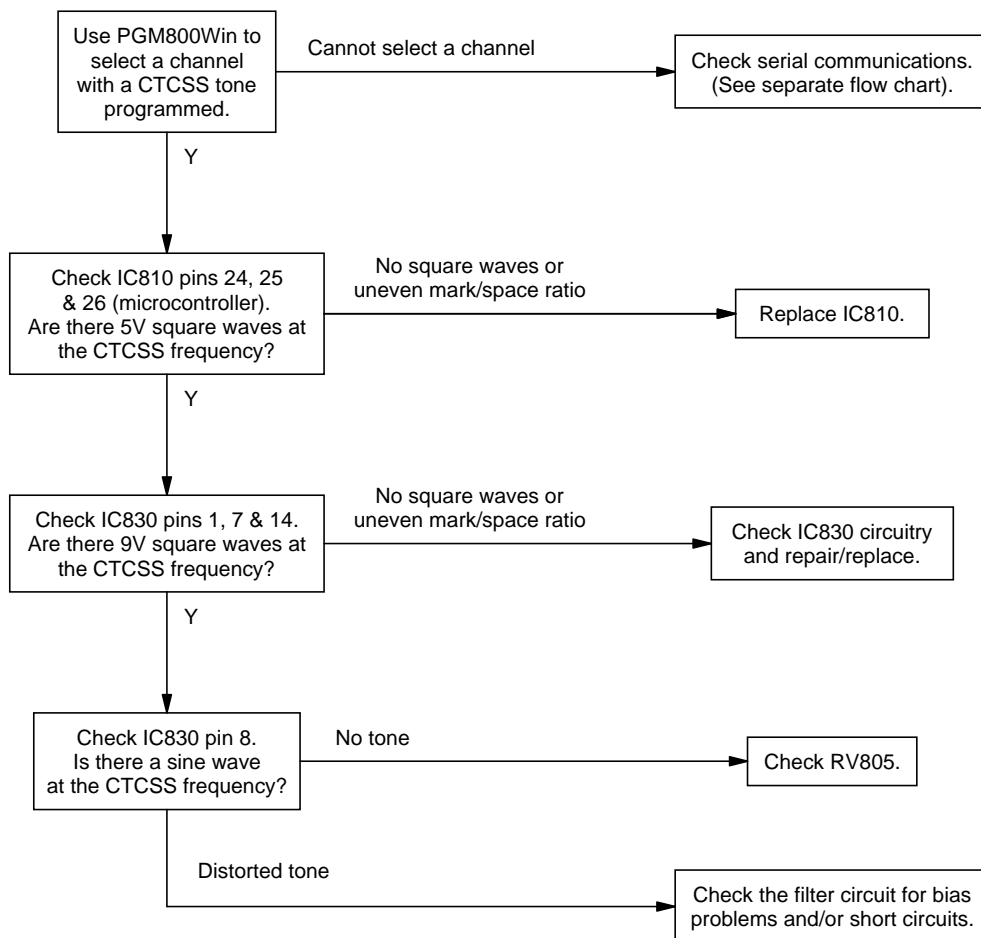
5.7.1.1 Basic Checks



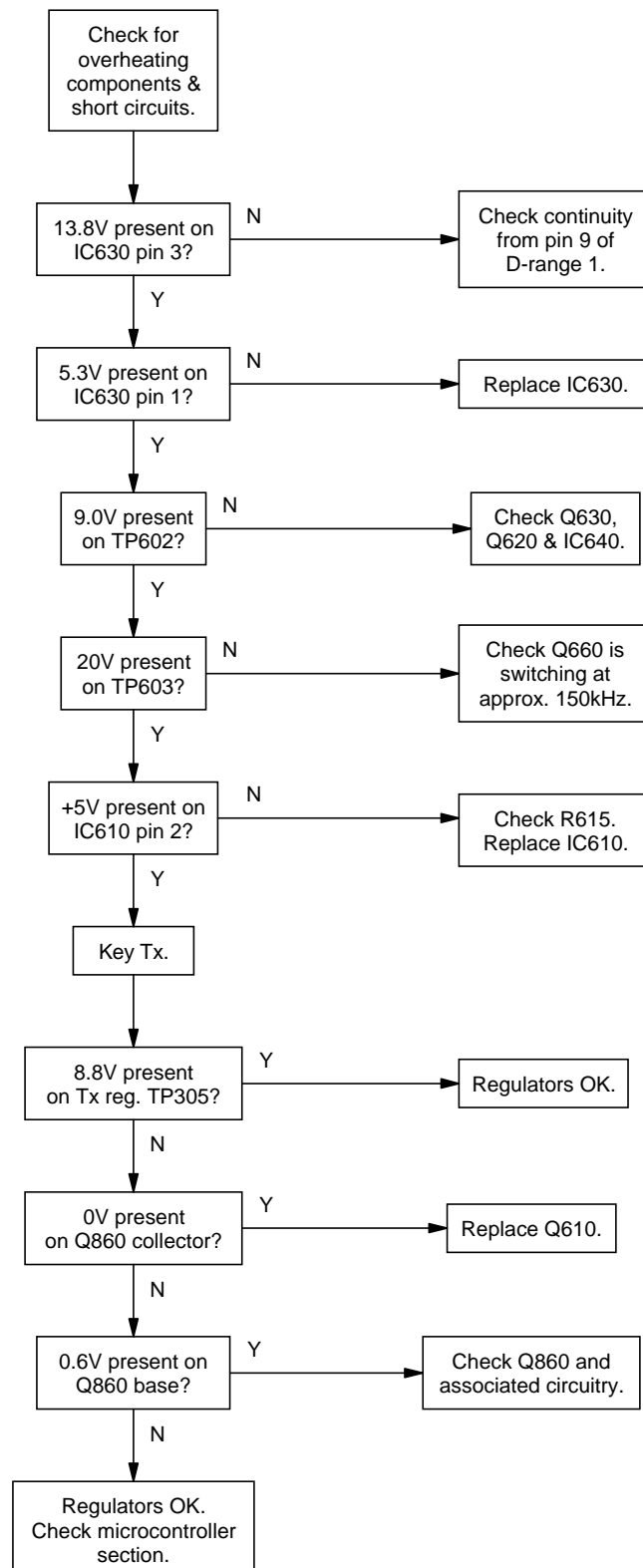
5.7.1.2 Serial Communication



5.7.1.3 CTCSS Encode

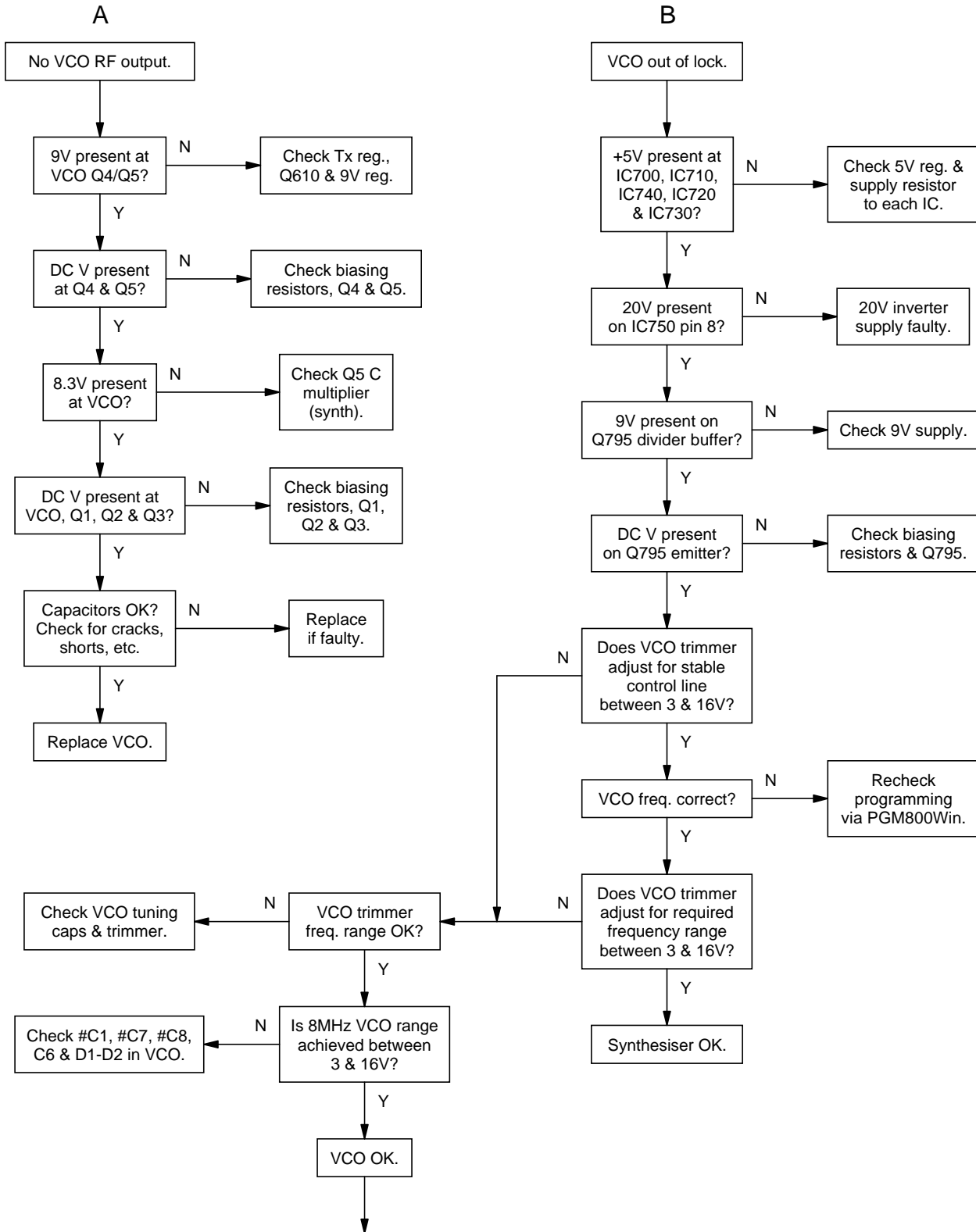


5.7.2 Regulator

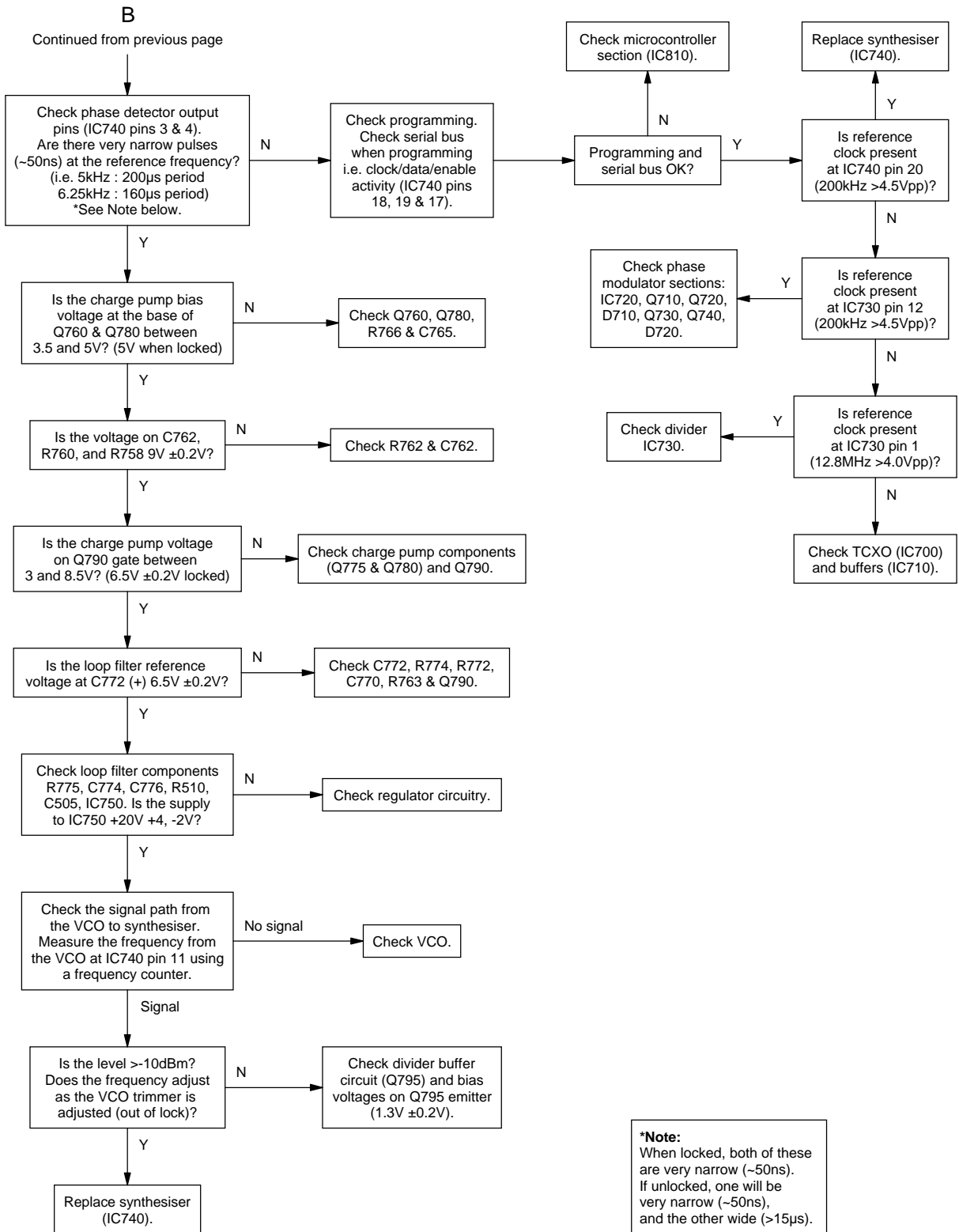


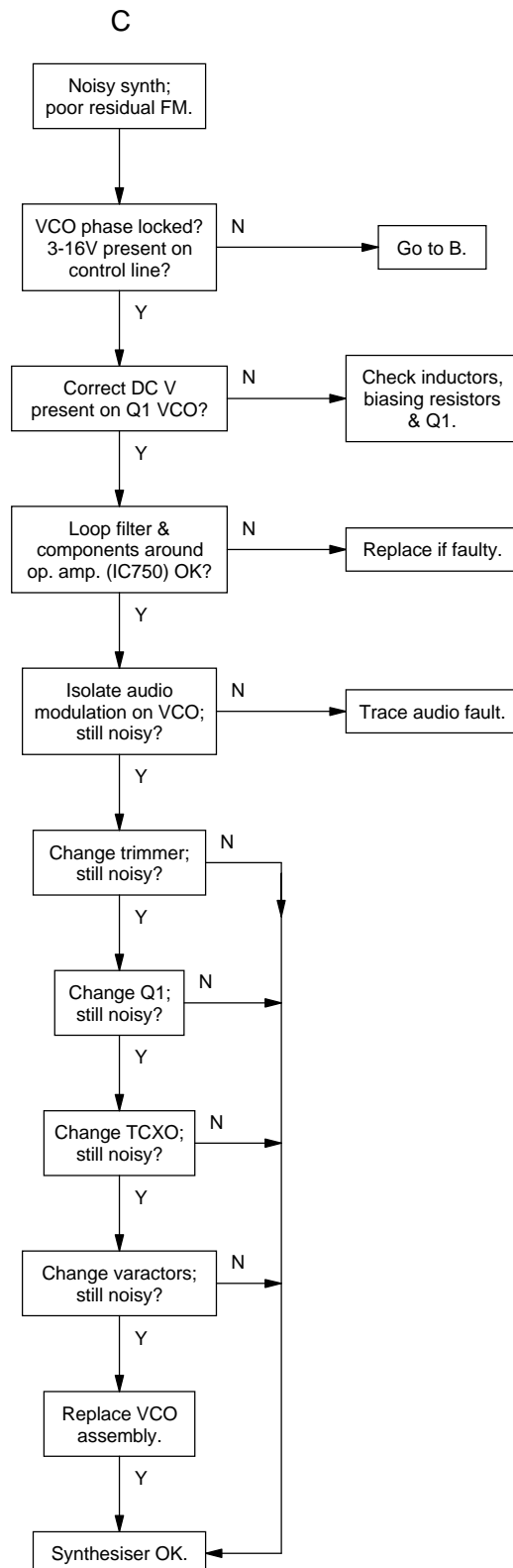
5.7.3 Synthesiser

Refer to the synthesiser circuit diagram (sheet 7) in Section 6 and the VCO circuit diagram in Part E.

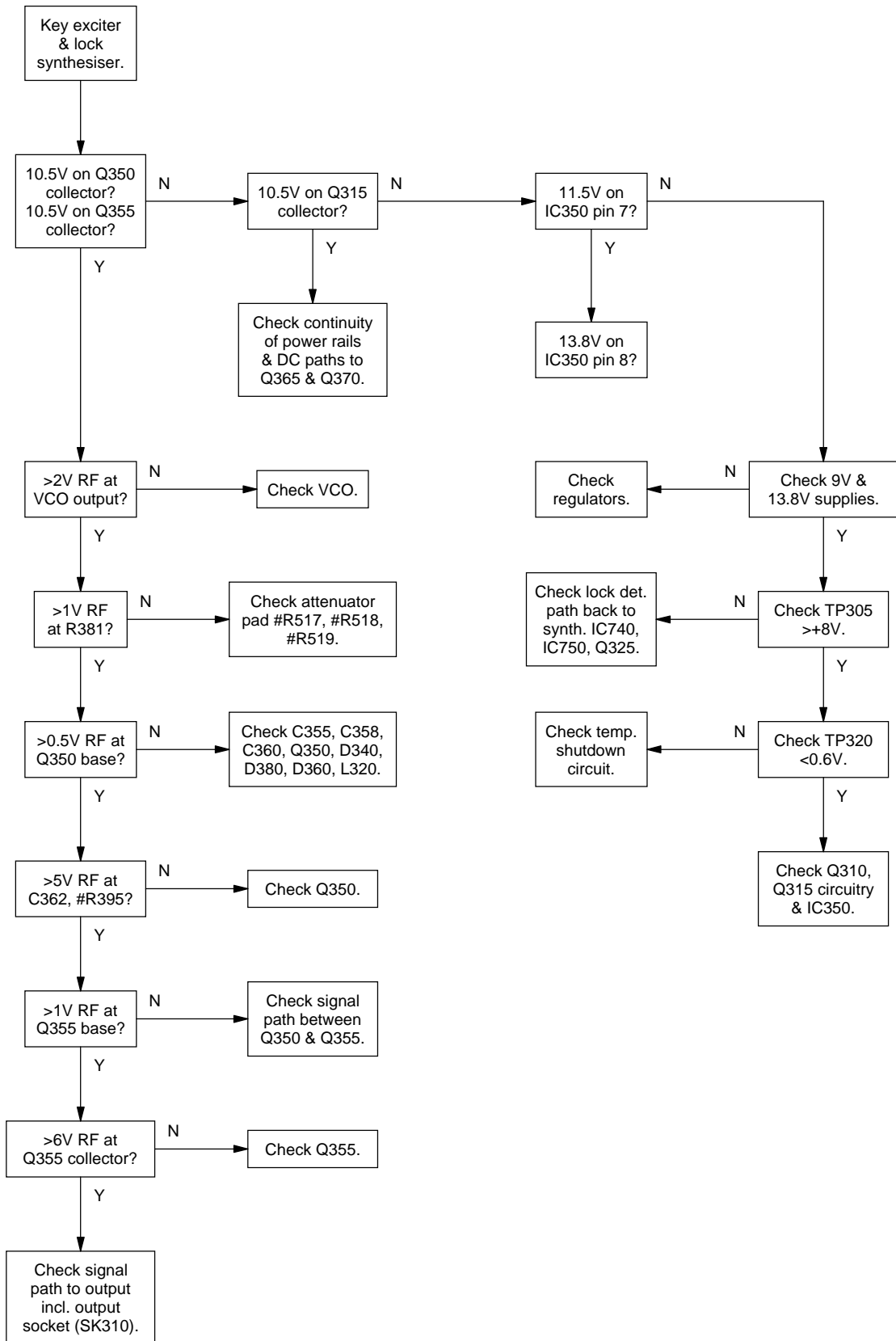


Continued on the next page

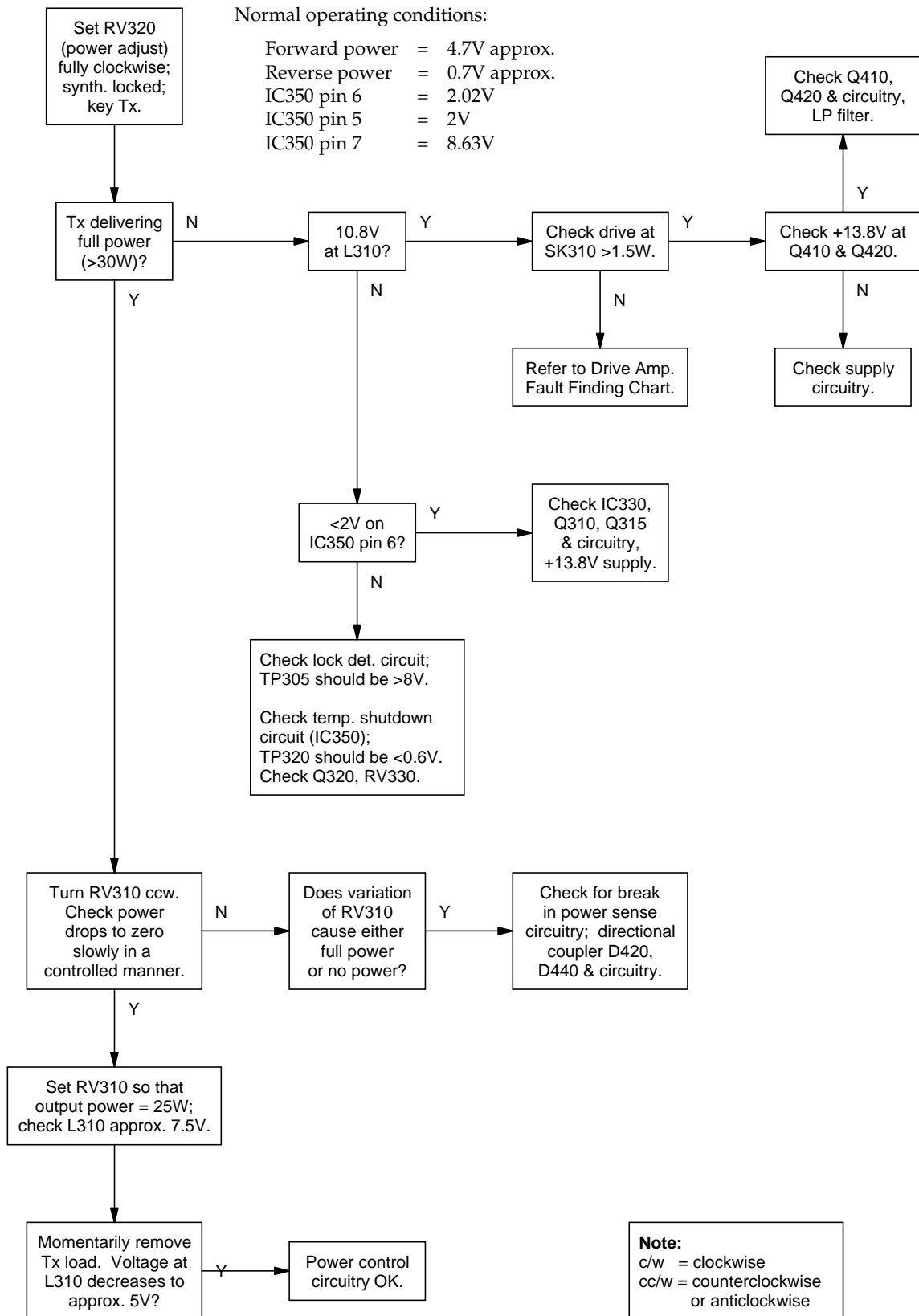




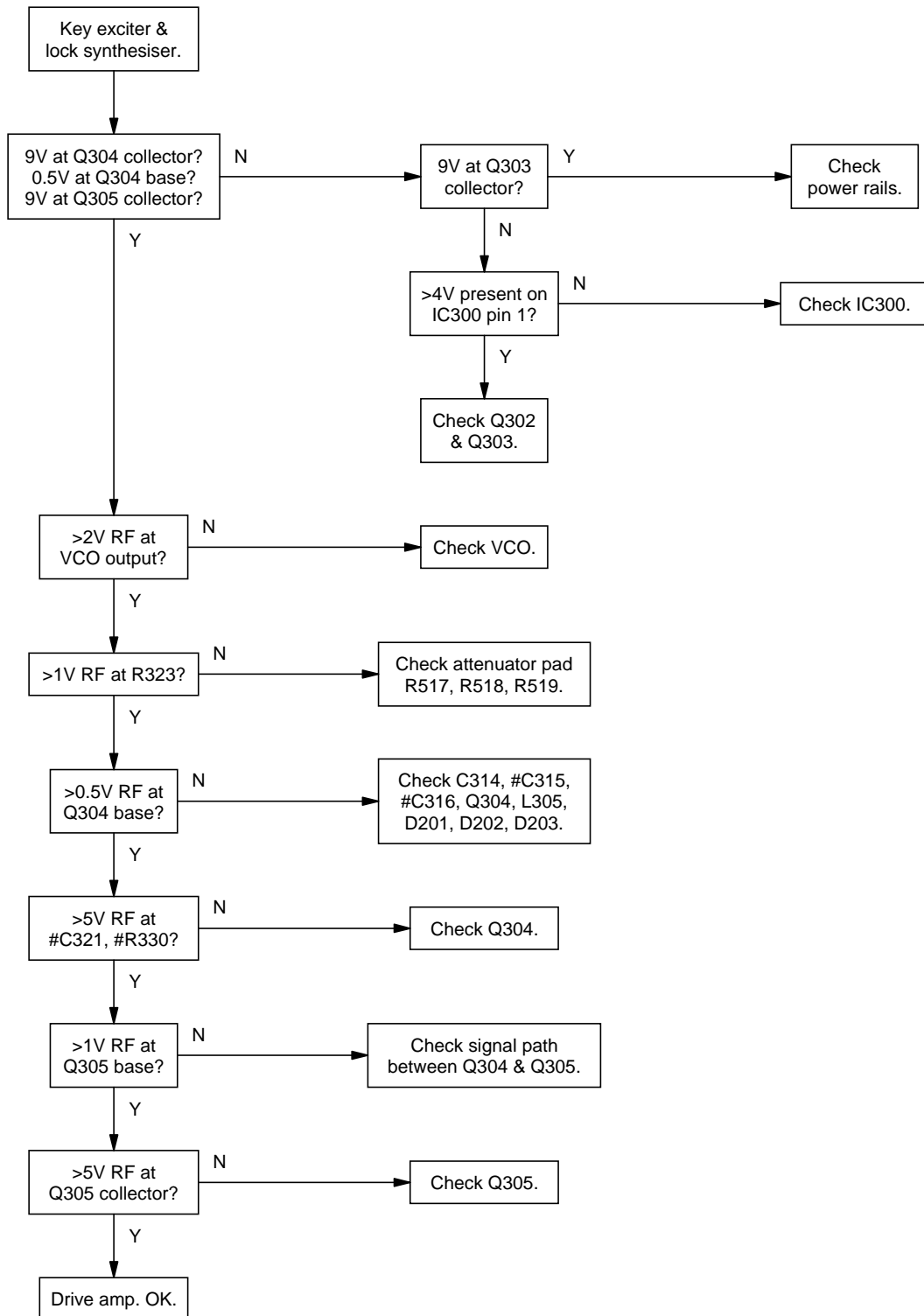
5.7.4 T856 Drive Amplifier



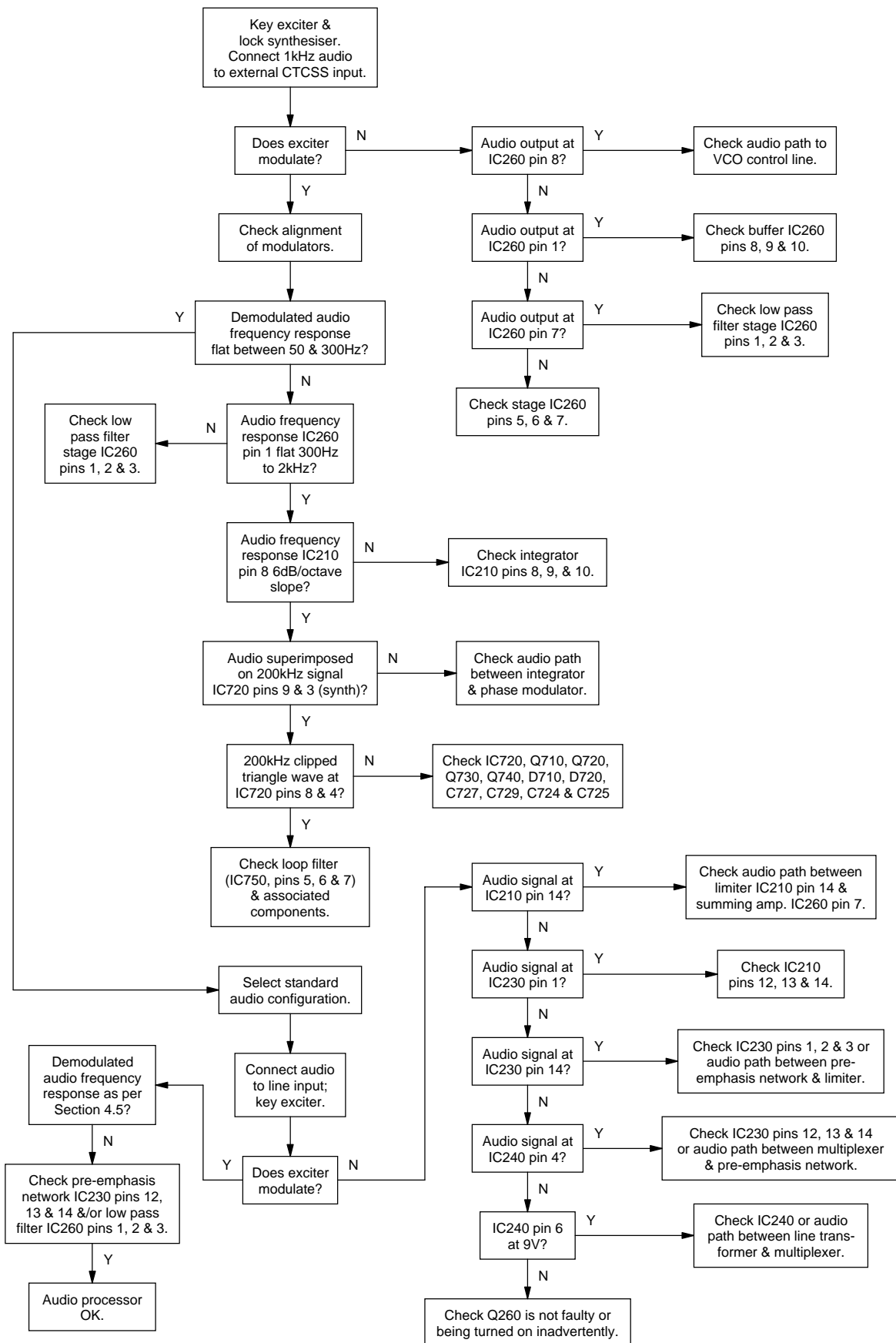
5.7.5 T856 PA & Power Control



5.7.6 T857 Exciter Drive Amplifier



5.7.7 Audio Processor



5.8 To Replace The T856 PA Transistors (Q410 & Q420)

**Caution:**

Failure to comply with the following procedure can result in failure of the device due to poor heatsinking, or worse, can endanger the health of the assembler if the beryllium oxide die carrier is smashed during assembly.

**Caution:**

As the location of certain components in the PA is critical to performance, it is important that any components removed or disturbed are refitted in *exactly* the same position.

Before attempting to remove a transistor, measure the distance between the capacitors and transistor body to the nearest 0.5mm (measurement "A" in Figure 5.2) so that the capacitors can be replaced in *exactly* the same position. These measurements are shown in Figure 5.2 for the 6LFL package, however the same procedure applies for the SOE (stud) package.

**Caution:**

Do not apply too much heat or pressure to the PCB pads and tracks as you may damage them or lift them from the PCB, causing permanent damage to the transmitter.

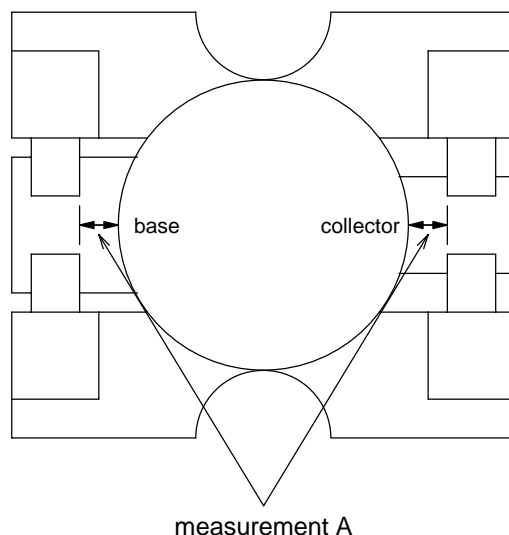


Figure 5.2 Typical Transistor/Capacitor Spacing (Not To Scale)

Desolder and remove the components from around the transistor.

Q420 Only: Desolder and remove the two solder tags.

Desolder the transistor tabs by heating with a soldering iron and lifting away from the PCB with a screwdriver or thin stainless steel spike, then remove the device.

Q410 Only: Unscrew the transistor stud nut and remove the device.

Remove any excess solder from the PCB pads with solder wick.

Trim the tabs of the replacement transistor so that the device sits neatly on the PCB pads provided.

Lightly tin the underside of the transistor tabs. Remove any excess solder to leave a thin, even layer on the tabs.

Apply a small amount of heatsink compound (Dow-Corning 340 or equivalent) to the transistor mounting surface. Sufficient compound should be used to ensure an even film over the entire mounting surface.

Place the transistor on the PCB in the correct orientation and ensure the tabs are flush to the surface.

Q410 Only: Lightly solder one tab to the PCB, then torque down the retaining nut to the correct torque (0.7Nm/6in.lbf.).



Caution: Do not solder all the tabs before torquing down otherwise the device may be broken.

Q420 Only: Refit the solder tags.

Solder all transistor tabs to the PCB.

Replace each component in exactly the same position as noted previously.

6 T856/857 PCB Information



Caution: This equipment contains CMOS devices which are susceptible to damage from static charges. Refer to [Section 1.2](#) in Part A for more information on anti-static procedures when handling these devices.

This section provides the following information on the T856 transmitter and T857 exciter:

- parts lists
- grid reference indexes
- mechanical assembly drawings
- PCB layouts
- test points & options connections drawings
- circuit diagrams.

Section	Title	IPN	Page
6.1	Introduction		6.1.3
6.2	T856 Transmitter PCB	220-01397-01	6.2.1
6.3	T857 Exciter PCB	220-01398-02 220-01398-04	6.3.1 6.3.29

6.1 Introduction

Product Type Identification

You can identify the transmitter or exciter type by checking the product code printed on a label on the rear of the chassis (product codes are explained in [Section 1.3](#) in this Part of the manual, and [Figure 1.1](#) in Part A shows typical labels). You can further verify the product type by checking the placement of an SMD resistor in the table that is screen printed onto the top side of the PCB, similar to the example drawn below. In this example, the resistor indicates that the product was built as a T856-10-XXXX.

<table border="1"> <tbody> <tr> <td>■ ■</td> <td>856-30</td> </tr> <tr> <td>■ ■</td> <td>856-35</td> </tr> <tr> <td>■ ■</td> <td>856-</td> </tr> <tr> <td colspan="2">PRODUCT TYPE</td> </tr> </tbody> </table>	■ ■	856-30	■ ■	856-35	■ ■	856-	PRODUCT TYPE		<table border="1"> <thead> <tr> <th colspan="2">PRODUCT TYPE</th> </tr> </thead> <tbody> <tr> <td>■ ■</td> <td>856-10</td> </tr> <tr> <td>■ ■</td> <td>856-13</td> </tr> <tr> <td>■ ■</td> <td>856-15</td> </tr> <tr> <td>■ ■</td> <td>856-20</td> </tr> <tr> <td>■ ■</td> <td>856-23</td> </tr> <tr> <td>■ ■</td> <td>856-25</td> </tr> </tbody> </table>	PRODUCT TYPE		■ ■	856-10	■ ■	856-13	■ ■	856-15	■ ■	856-20	■ ■	856-23	■ ■	856-25
■ ■	856-30																						
■ ■	856-35																						
■ ■	856-																						
PRODUCT TYPE																							
PRODUCT TYPE																							
■ ■	856-10																						
■ ■	856-13																						
■ ■	856-15																						
■ ■	856-20																						
■ ■	856-23																						
■ ■	856-25																						

Note: The only function of this resistor is to indicate the product type. It has no effect on the circuitry or operation of the transmitter or exciter.

PCB Identification

All PCBs are identified by a unique 10 digit “internal part number” (IPN), e.g. 220-01390-02, which is screen printed onto the PCB (usually on the top side), as shown in the example below:



The last 2 digits of this number define the issue status, which starts at 00 and increments through 01, 02, 03, etc. as the PCB is updated. Some issue PCBs never reach full production status and are therefore not included in this manual. A letter following the 10 digit IPN has no relevance in identifying the PCB for service purposes.

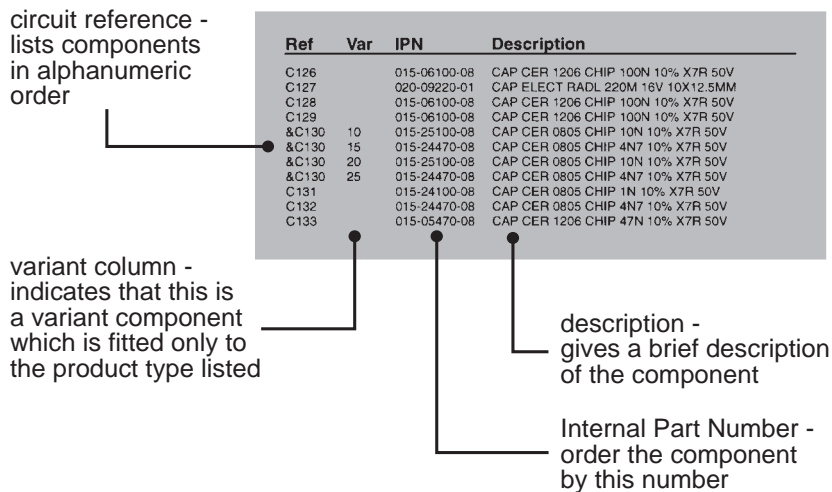
Note: It is important that you identify which issue PCB you are working on so that you can refer to the appropriate set of PCB information.

Parts Lists

The 10 digit numbers (000-00000-00) in this Parts List are “internal part numbers” (IPNs). We can process your spare parts orders more efficiently and accurately if you quote the IPN and provide a brief description of the part.

The components listed in this parts list are divided into two main types: those with a circuit reference (e.g. C2, D1, R121, etc.) and those without (miscellaneous and mechanical).

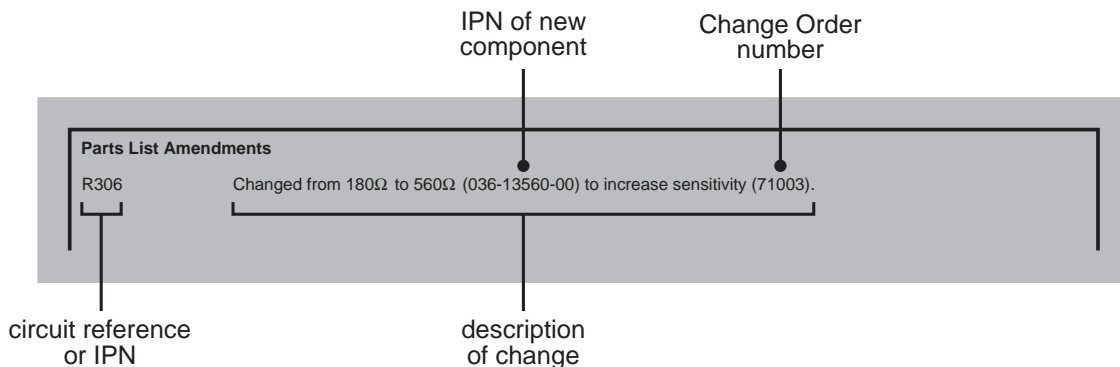
Those with a circuit reference are grouped in alphabetical order and then in numerical order within each group. Each component entry comprises three or four columns, as shown below:



The miscellaneous and mechanical section lists the variant and common parts in IPN order.

Parts List Amendments

At the front of the parts list is the Parts List Amendments box (an example of which is shown below). This box contains a list of component changes which took place after the parts list and diagrams in this section were compiled. These changes (e.g. value changes, added/deleted components, etc.) are listed by circuit reference in alphanumeric order and supersede the information given in the parts list or diagrams. Components without circuit references are listed in IPN order. The number in brackets at the end of each entry refers to the Tait internal Change Order document.



Variant Components

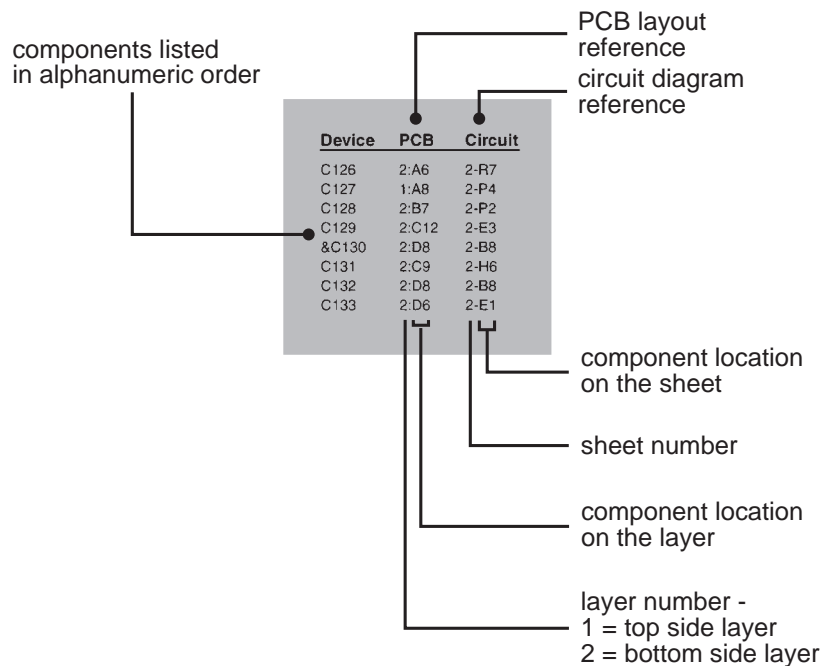
A variant component is one that has the same circuit reference but different value or specification in different product types. Where two products share the same PCB, the term “variant” is also used to describe components unplaced in one product. Variant components have a character prefix, such as “&”, “=” or “#”, before the circuit reference (e.g. &R100).

The table below explains the variant prefixes used in T800 Series II products:

If the variant prefix is . . .	the component will. . .
&	change according to channel spacing
=	change according to frequency stability
#	change according to frequency range
%	change or be placed/unplaced for special applications
*	be unplaced in one product (where two products share the same PCB)

Grid Reference Index

This section contains a component grid reference index to help you find components and labelled pads on the PCB layouts and circuit diagrams. This index lists the components and pads in alphanumeric order, along with the appropriate alphanumeric grid references, as shown below:



Using CAD Circuit Diagrams

Reading a CAD circuit diagram is similar to reading a road map, in that both have an alphanumeric border. The circuit diagrams in this manual use letters to represent the horizontal axis, and numbers for the vertical axis. These circuit diagram "grid references" are useful in following a circuit that is spread over two or more sheets.

When a line representing part of the circuitry is discontinued, a reference will be given at the end of the line to indicate where the rest of the circuitry is located, as shown below. The first digit refers to the sheet number and the last two characters refer to the location on that sheet of the continuation of the circuit (e.g. 1R3).

