

TEAM EDGE R/C R/C TUNER

CAUTION—ELECTRICALLY OPERATED PRODUCT NOT RECOMMENDED FOR CHILDREN UNDER 8 YEARS OF AGE.
AS WITH ALL ELECTRIC PRODUCTS, PRECAUTIONS SHOULD BE OBSERVED DURING HANDLING AND USE TO PREVENT ELECTRIC
SHOCK. INPUT: 230V AC; OUTPUT: 1.5V DC/250mA
CAUTION—RISK OF ELECTRIC SHOCK CHARGE ONLY BY NICKEL-CADMIUM TYPE RECHARGEABLE BATTERY
PACKS. OTHER TYPES OF BATTERIES MAY BURST, CAUSING INJURY TO PERSONS AND DAMAGE TO PROPERTY. LOCAL USE ONLY.

Team Edge® R/C Consumer Service. We want to assist you!

DO NOT RETURN THE PRODUCT TO THE STORE!

Log on: Click "Services" at www.teamedge.com E-mail: help@teamedge.com
TOLL-FREE CONSUMER HELPLINE 1-866-4-EDGE-RC (1-866-433-4372)



OWNER'S MANUAL

SAVE THESE INSTRUCTIONS FOR FUTURE REFERENCE. THEY CONTAIN IMPORTANT INFORMATION.

Important! Please read your Owner's Manual all the way through before operating your vehicle.

Safety First

- Adult supervision is recommended.
- Drive your vehicle in a safe area away from people, pets, cars, etc. Not in streets, in or near water, or in darkness!
- Don't touch or try to pick up vehicle when it is in motion. Wait until it stops completely. Never pick up by the wheels.
- Keep hair, fingers, face and loose clothing away from wheels while the vehicle is switched on or while the transmitter is operating.
- Be a responsible R/C Tuner™ operator!

DO NOT RUN VEHICLE IN WATER OR RAIN—WARRANTY WILL BE VOIDED

Batteries and Charger Required

1. 9.6-Volt Rechargeable NiCd Battery Pack (not included).
2. Matching Battery Charger (not included). (Adult supervision of recharging is recommended)
3. One 9-Volt Alkaline Battery for Transmitter required, not included (not rechargeable).

IMPORTANT BATTERY SAFETY INFORMATION

BATTERY CAUTIONS

- Make sure the batteries are inserted with the correct polarity and follow the toy and battery manufacturers' instructions.
- Do not mix old and new batteries.
- Do not mix alkaline, standard (carbon-zinc), or rechargeable (nickel-cadmium, nickel-metal hydride) batteries, or different types of rechargeable batteries.
- Remove weak or exhausted batteries from the product. Remove batteries from product when not in use.

ADDITIONAL IMPORTANT BATTERY SAFETY INFORMATION

- An adult should help with battery replacement.
- Only batteries of the same or equivalent type as recommended in the "Battery Installation" (or replacement) instructions are to be used.
- Non-rechargeable batteries are not to be recharged.
- If removable rechargeable batteries are used, they are only to be charged under adult supervision.
- Rechargeable batteries are to be removed from the product before they are charged.
- If you use a battery charger, it should be examined regularly for damage to the cord, plug, enclosure and other parts. Do not use a damaged battery charger until it has been properly repaired.
- Dispose of batteries safely and properly.
- Do not short-circuit battery terminals.

NOTE: NICKEL CADMIUM BATTERIES MUST BE RECYCLED OR DISPOSED OF PROPERLY.

Contact your local area office of solid waste management or other appropriate local agency for information.



Ni-Cd

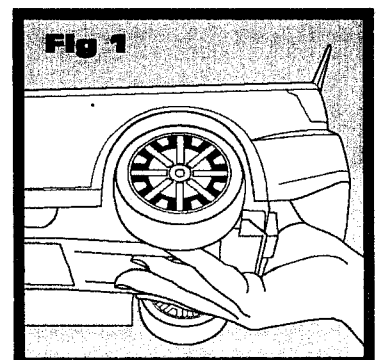
SAFETY NOTICE TO ADULTS

1. This product should be used under adult supervision.
2. Regularly examine charger and battery pack for damage, including plugs, casings and all other parts. If damaged, do not use.
3. Not a toy—not intended for children under 3 years old.

Handling R/C Tuner™

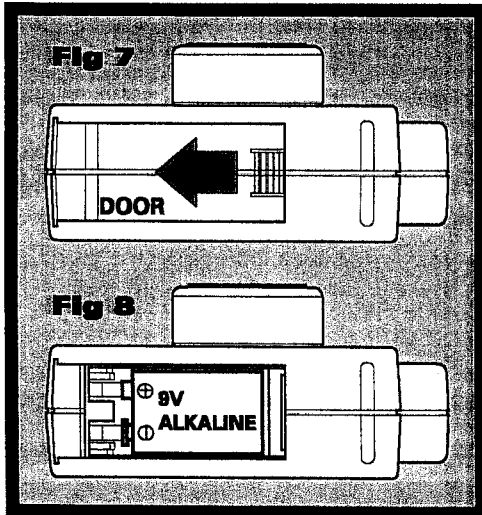
DO NOT PICK VEHICLE UP BY THE BODY. LIGHTWEIGHT, FLEXIBLE RACING BODY IS NOT DESIGNED AS A CARRY HANDLE.

Always pick up and hold your vehicle from the chassis back as shown, or from the front and back underside with both hands. Keep hair, hands, fingers, face and loose clothing away from wheels while the vehicle is switched on or while the transmitter is operating. Never pick up by the wheels. (Fig. 1)



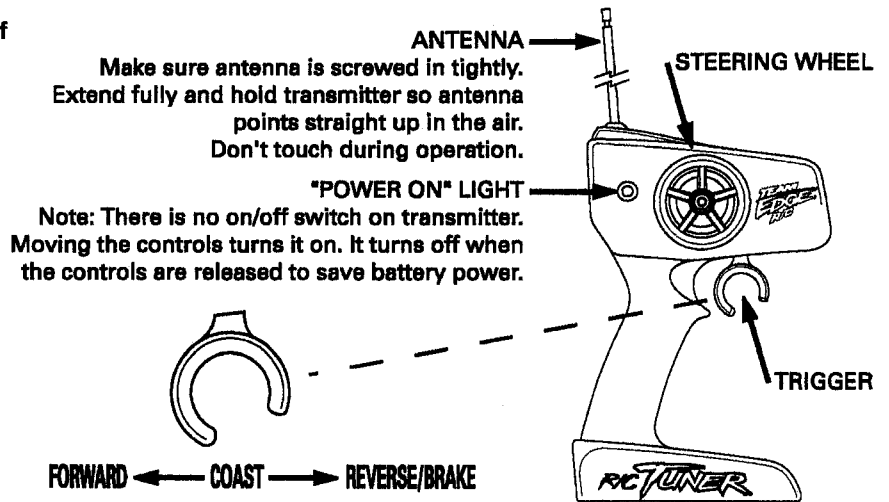
Transmitter Battery Installation

1. Slide open BATTERY DOOR on bottom of TRANSMITTER. (Fig. 7)
2. Insert a fresh, new 9-VOLT ALKALINE BATTERY in the direction shown on the bottom of battery compartment. (Fig. 8)
3. Hold battery in place with thumb and replace BATTERY DOOR.
4. Check for transmitter operation by looking for the red "POWER ON" LIGHT on front to light when steering wheel is turned or trigger is moved. If LIGHT does not come on, check battery polarity. If LIGHT still does not light, install a brand-new battery.



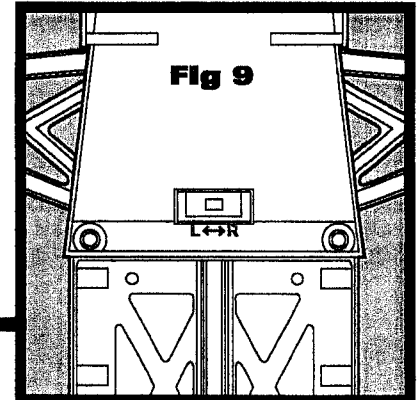
Transmitter Operation

1. TRIGGER controls POWER. Squeeze trigger to go forward. Release to coast. Push outward to brake or go in reverse. "PULSE" THE TRIGGER (RAPID SQUEEZE-RELEASE-SQUEEZE-RELEASE) FOR SLOWER SPEEDS AND BETTER MANEUVERABILITY.
2. WHEEL is STEERING. Turn to left to turn left, release to go straight, to right to go right.



Trim Control:

If vehicle steers to one side when you release the steering wheel, move TRIM CONTROL on bottom of vehicle slightly in the opposite direction to correct. (Fig. 9) Test (with the vehicle driving away from you) and readjust if needed.



R/C Tuner Tips

1. In order to race or operate two vehicles together, one must be 27MHz and one must be 49MHz. Before you run two R/C vehicles together, check to make sure you have one of each frequency.
2. For better handling and sharper turns, "Pulse" the trigger (rapidly squeeze-release-squeeze) to reduce the amount of power to the wheels.

R/C Facts for Improved Operation

1. When battery start to fully discharge, vehicle may slow, stop, or refuse to respond to your control. It's time to recharge vehicle battery or replace transmitter battery. This is absolutely the #1 cause of all problems and questional
2. Radio frequency interference can interfere with the control of your vehicle. Buildings, power wires, other R/C transmitters, or CB radio can all cause problems. Pick a place to drive that's away from these things.
3. Fully extend antenna and make sure it is screwed in tightly. Hold Transmitter so antenna points up, not toward the vehicle. Keep vehicle within range (about 50 feet) to keep control. If vehicle goes out of range, try lifting transmitter high into air to increase range for vehicle recovery.
4. Wipe vehicle clean and dry after each use, including inside battery compartments.
5. Turn vehicle power switch off immediately after running. Remove batteries after use and for storing. Keep vehicle and Transmitter away from heat and direct sunlight and moisture.
6. Do not run vehicle in water or rain.

AUTO SHUTDOWN

R/C Tuner has electronic protection circuitry that may shut it off during operation. Just release the controls for a few seconds to reset.

BATTERY CHARGING INSTRUCTIONS

NOTE: "CONDITION" BATTERY PACK FOR BEST RESULTS BY CHARGING ACCORDING TO THESE INSTRUCTIONS ON EVERY CHARGE. ON THE FIRST CHARGE, EXPECT A SHORTER RUN TIME. RUN TIMES WILL INCREASE OVER THE NEXT 6 CHARGES, REACHING SPECIFIED RUN TIMES.

Drain Down — Cool Down — Charge Up

1. After the first charge, for best performance always run the battery pack all the way down before recharging. Run until vehicle wheels/fans/motors slow to a stop. **NOTE: If you are operating a boat, hovercraft or other water vehicle in water, retrieve the vehicle while battery power is still strong and perform this Drain Down procedure on land. (Don't operate other kinds of vehicles in or near water.)**

2. Allow the battery pack to cool before recharging.

Battery Heat

1. Battery gets hot after use! This is normal, but be careful. Wait until battery is cool (20 minutes or more if needed) before charging. Charging batteries when they are hot will severely reduce the number of times they can be recharged.

2. After charging, battery pack will be warm. This is normal.

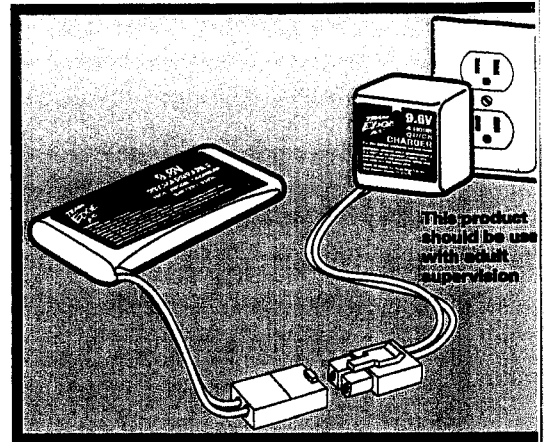
RECHARGING INSTRUCTIONS

1. Plug wall pack charger into a standard wall outlet.
2. Connect the battery pack plug to the charger plug as shown.
3. Red light on charger will light to show charger is operating. Normal charging time is approximately 4 hours.
4. Unplug charger from wall after 4 hours of charging.
5. After charging, battery pack will feel warm. This is normal.

Rechargeable Battery Tips

1. Don't overcharge the battery pack. Unplug the charger from the wall at the end of the recommended charging time.
2. NiCd battery packs are not like alkaline batteries. They lose all their power suddenly, not gradually, and vehicle will stop very soon after slowing down becomes noticeable, with little warning. This is normal, but keep it in mind, especially when operating on water, since you need to get the vehicle back before the battery power runs out.
3. Store your battery pack discharged.
4. Your battery pack will hold a charge for a shorter time in hot weather. Otherwise, you can charge a battery a day or so in advance of when you want to use it or give it as a gift.
5. It's better to charge for the full 4 hours, even though the vehicle may operate with a partial battery charge.
6. When your battery pack's running time gets shorter and shorter, probably it's getting close to the end of its life and needs to be replaced.

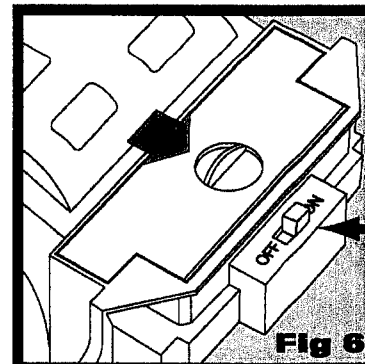
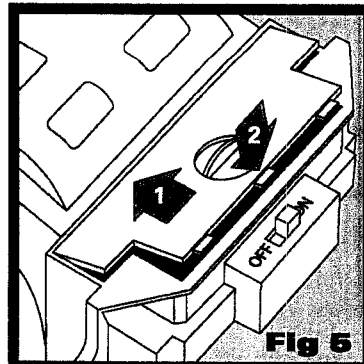
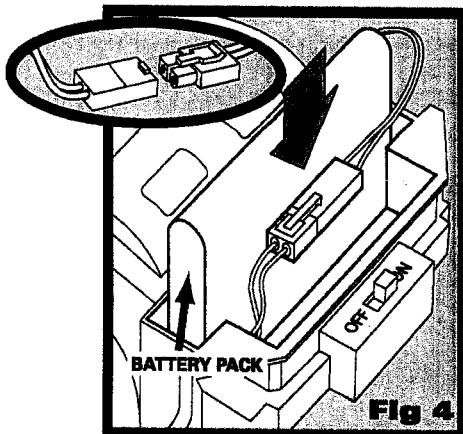
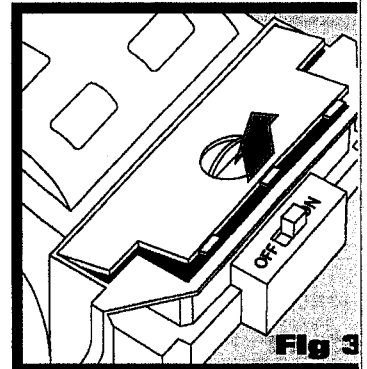
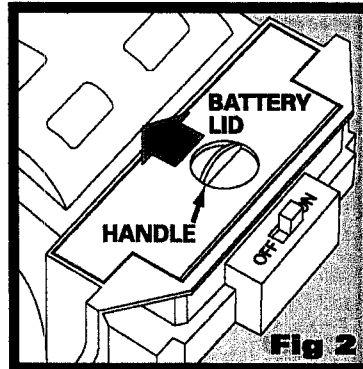
ALWAYS REMOVE BATTERY PACK FROM VEHICLE AFTER USE. DO NOT STORE BATTERY PACK IN VEHICLE.



**IMPORTANT:
NEW RECHARGEABLE BATTERIES
NEED SEVERAL CHARGE/DISCHARGE
CYCLES TO DELIVER MAXIMUM
POWER AND LONGEST RUNNING
TIMES. A FRESHLY CHARGED
BATTERY (STILL WARM) WILL
DELIVER THE LONGEST
RUNNING TIME.**

Battery Installation

1. Push **HANDLE** on **BATTERY LID** firmly towards front of vehicle to unlock. (Fig. 2)
2. Lift off **BATTERY DOOR**. (Fig. 3)
3. Slide freshly charged **BATTERY PACK** into **BATTERY COMPARTMENT**.
4. Plug **BATTERY PLUG** into **VEHICLE JACK** as shown and place **PLUG/JACK/WIRE** so they're out of the way when you replace the LID. (Fig. 4)
5. Replace **BATTERY LID TABS** into **SLOTS** nearest front of vehicle. Lower LID into place (Fig. 5)
6. Push **HANDLE** on **BATTERY LID** firmly towards back of vehicle to lock. Push hard until you hear a click and feel the LID lock into place (Fig. 6)



Troubleshooting Guide

Don't take your R/C Tuner™ back to the store—try solving problems using this valuable guide.

Problem	Probable Cause	Correction
Vehicle runs slowly, or won't move, or won't steer	<ul style="list-style-type: none"> Batteries dead or low charge Batteries installed incorrectly Loose battery connection 	<ul style="list-style-type: none"> Recharge vehicle battery. Replace transmitter battery. Remove and replace batteries, making sure battery direction (polarity, +/-) is correct and battery compartment contacts, plug and socket are clean. Turn on Power switch.
Erratic operation, loss of control, short range	<ul style="list-style-type: none"> Weak Transmitter battery Weak Vehicle battery Radio interference 	<ul style="list-style-type: none"> Recharge 9.6V battery pack and/or replace 9V alkaline battery in transmitter. Fully tighten and extend antenna and point up in the air, not at vehicle. Don't touch antenna. Move to another location
Vehicle stops working	<ul style="list-style-type: none"> Water in battery, electronics, motor areas after going through water, mud or snow <p>DO NOT RUN VEHICLE IN WATER OR RAIN—WARRANTY WILL BE VOIDED</p>	<ul style="list-style-type: none"> Turn power switch off IMMEDIATELY, remove battery pack, dry inside and out with clean soft cloth and allow to dry overnight with battery door open. Avoid wet surfaces, puddles, rain and snow
Reduced steering performance, spinouts or tipovers	<ul style="list-style-type: none"> Too much power 	<ul style="list-style-type: none"> Pulse the trigger to apply less power

90-Day LIMITED WARRANTY ON TEAM EDGE R/C VEHICLE AND TRANSMITTER VALID IN U.S. AND CANADA ONLY

WHAT'S COVERED AND HOW LONG THE COVERAGE LASTS

Team Edge Ltd. Co. warrants to the original U.S. or Canadian retail purchaser of its radio control vehicle and transmitter that the product is free from defects in materials and workmanship for the period of ninety (90) days after the date of retail purchase.

WHAT WE WILL DO

We will repair or replace the product, at our option, at our consumer service center if a defect is discovered during the warranty period, subject to verification of the defect or malfunction and the date of purchase. This is our sole and exclusive liability to you.

HOW TO GET HELP

Allow us to help you. Please do not return the product to the store where it was purchased.

We want to satisfy you whenever you buy a Team Edge product.

- 1) Log on to the Internet to www.teamedge.com and click on "Help" for information on how to solve your problem and/or obtain service.
- 2) Send an e-mail to "help@teamedge.com," giving the name of the toy and briefly describing the problem, to get information on solving the problem and/or obtaining service.
- 3) Call our toll-free Helpline number 1-866-4-EDGE-RC (1-866-433-4372) in the U.S. or Canada only for fast help and/or information on obtaining service. Most problems can be solved by contacting us!

HOW TO GET WARRANTY SERVICE

If the product requires warranty service, CONTACT US BY PHONE OR E-MAIL FIRST.

NO PRODUCT SHOULD BE RETURNED TO US WITHOUT AUTHORIZATION.

We will not be responsible for products returned without authorization. Upon receiving authorization from us, pack the product carefully and send it postage prepaid to the address below. Enclose your name, address, telephone number, a brief description of the defect, a copy of your dated sales receipt with the purchase price circled, and the date of authorization.

We recommend you insure the parcel for its full retail value. We will return the product to you postage prepaid.

WHAT'S NOT COVERED

This warranty does not apply to defects arising from abuse, alteration or unreasonable use of the product, or any claim arising from worn, defective or leaking batteries. Any applicable implied warranty, including warranties of merchantability and fitness for a particular purpose, are hereby limited to 90 days from the date of purchase.

Consequential, incidental or contingent damages resulting from a breach of any applicable express or implied warranties are excluded.

YOUR LEGAL RIGHTS

This Warranty gives you specific rights, which may vary from state to state. Some states do not allow limitations on how long an implied warranty lasts or the exclusion or limitation of consequential, incidental or contingent damages, so depending on where you live, the above limitations and exclusions may not apply to you.

TEAM EDGE LTD.CO., P.O. BOX 1470 NEW SMYRNA BEACH, FL 32170 U.S.A.

COMPLIANCE WITH FCC REGULATIONS

THIS DEVICE COMPLIES WITH PART 15 OF FCC RULES. OPERATION OF THIS DEVICE IS SUBJECT TO THE FOLLOWING TWO CONDITIONS:

- (1) THIS DEVICE MAY NOT CAUSE HARMFUL INTERFERENCE.
- (2) THIS DEVICE MUST ACCEPT ANY HARMFUL INTERFERENCE THAT MAY CAUSE UNDESIRE OPERATION.

This device generates and uses radio frequency energy and if not used properly may cause interference to radio and television reception. It has been tested and found to comply with the limits set by the FCC, which are designed to provide reasonable protection against such interference.

CAUTION: FCC Regulations state that changes or modifications to this product not expressly approved by the party responsible for compliance could void the user's authority to operate the equipment.

PRINTED IN CHINA

© 2003 - 2004 Team Edge Ltd. Co., P.O. Box 1470, New Smyrna Beach, FL 32170, U.S.A. All Rights Reserved. U.S. and Foreign Patents Pending. Product specifications subject to change. Product may differ from illustrations.

2481-US