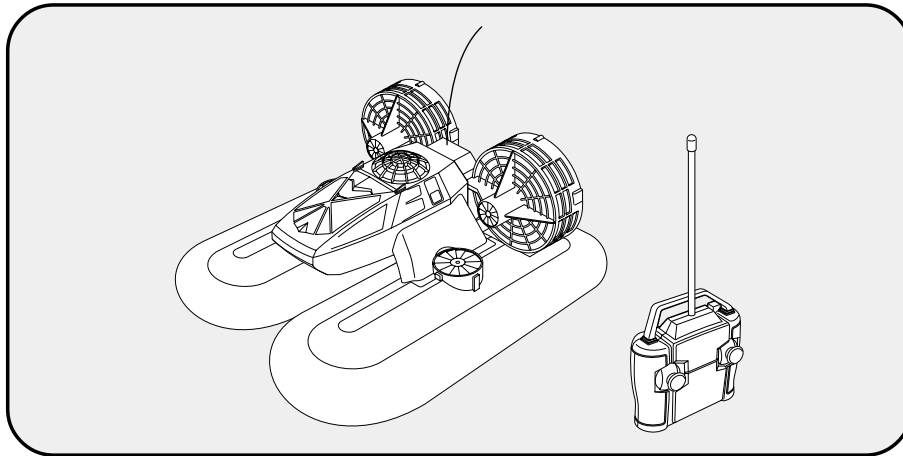


TAIYO RC STEALTH HOVERCRAFT



ENG

OWNER'S MANUAL

Keep these instructions for future reference as they contain important information.

2-3-4-5, 6-7

FRA

GUIDE DE L'UTILISATEUR

Ce mode d'emploi contient des informations importantes. Conservez-le pour pouvoir vous y référer en cas de besoin.

2-3-4-5, 10-11

DEU

GUIDE DE L'UTILISATEUR

Ce mode d'emploi contient des informations importantes. Conservez-le pour pouvoir vous y référer en cas de besoin.

2-3-4-5, 8-9

ITA

GUIDE DE L'UTILISATEUR

Ce mode d'emploi contient des informations importantes. Conservez-le pour pouvoir vous y référer en cas de besoin.

2-3-4-5, 8-9

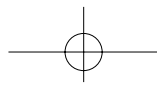
NED

GUIDE DE L'UTILISATEUR

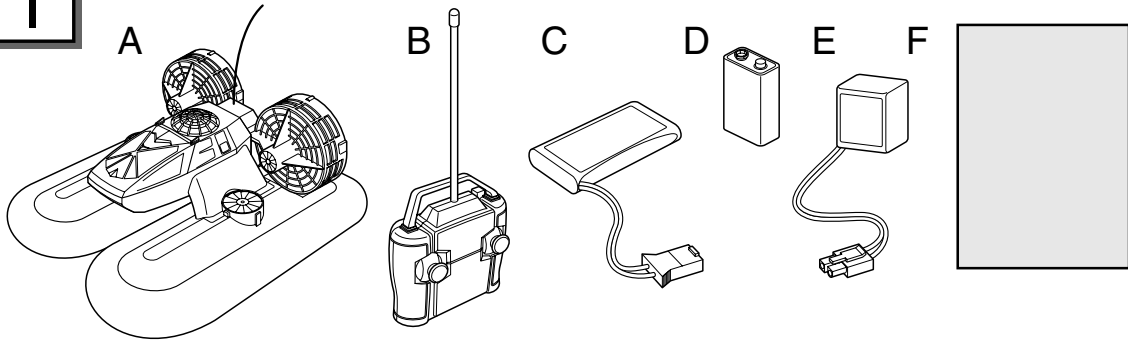
Ce mode d'emploi contient des informations importantes. Conservez-le pour pouvoir vous y référer en cas de besoin.

2-3-4-5, 8-9

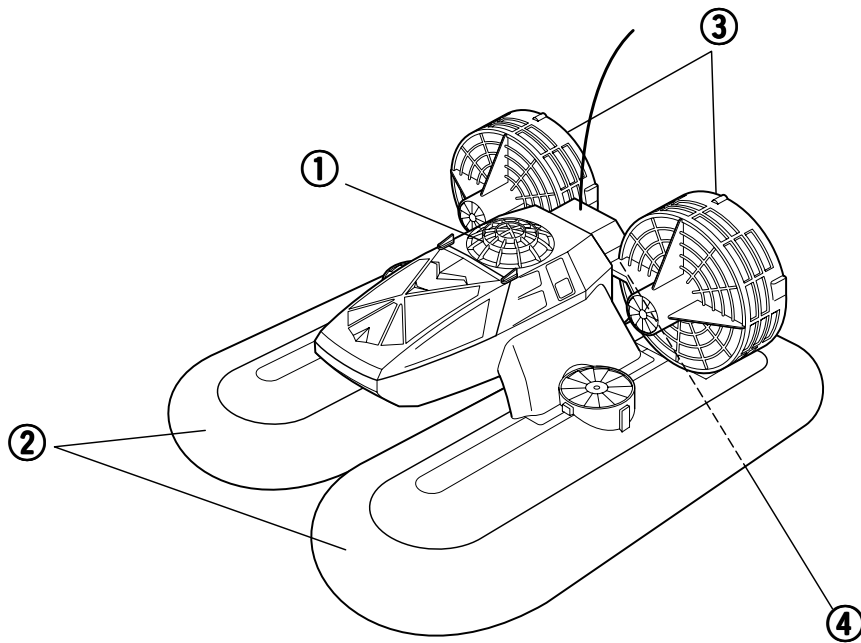
638A458-01



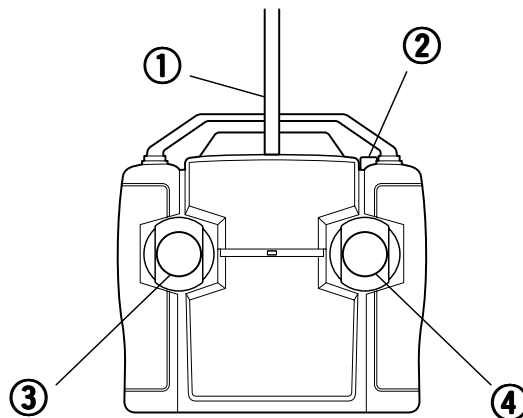
I



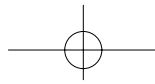
1



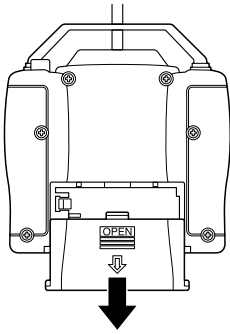
2



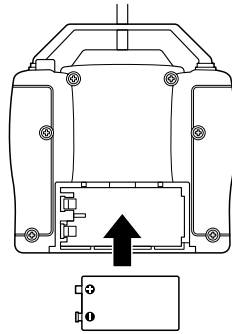
2



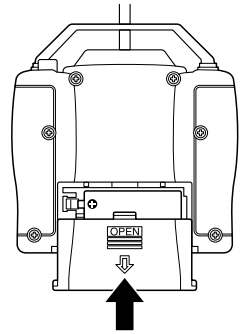
①



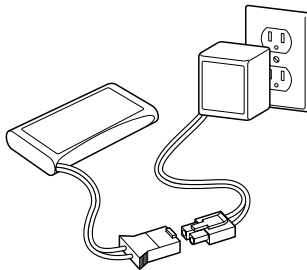
②



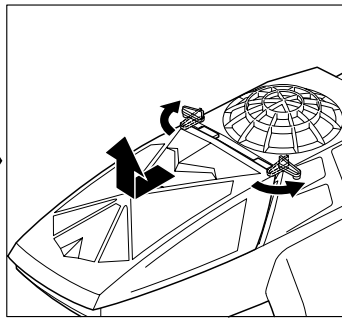
③



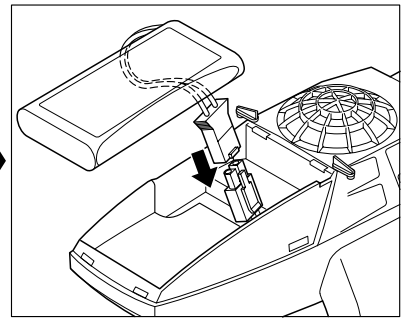
②



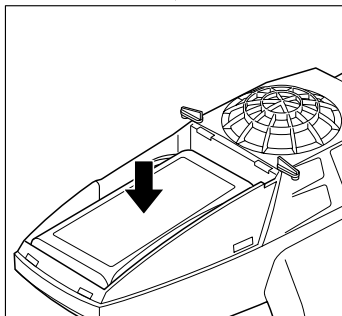
①



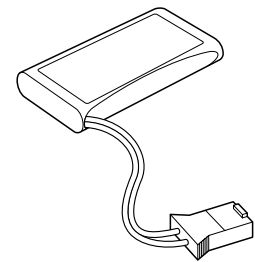
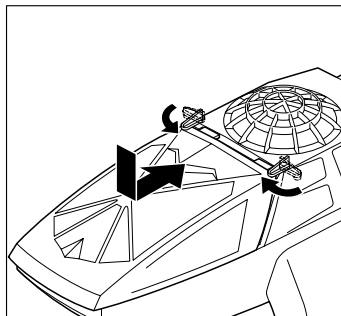
②



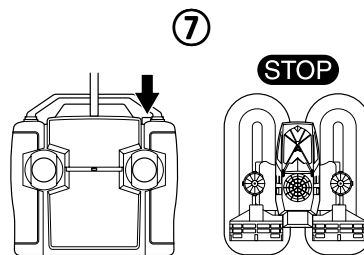
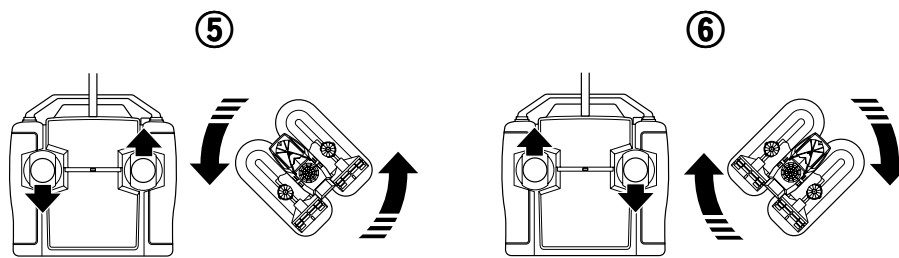
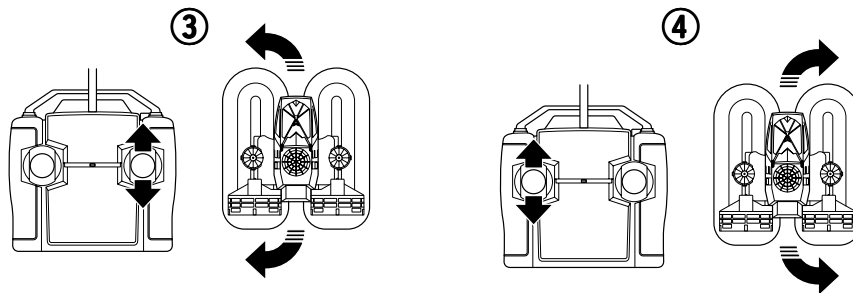
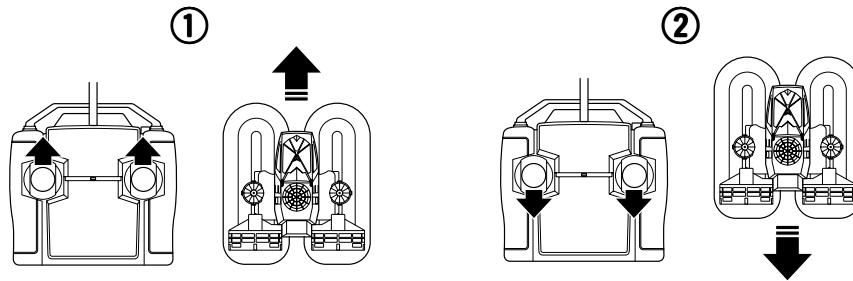
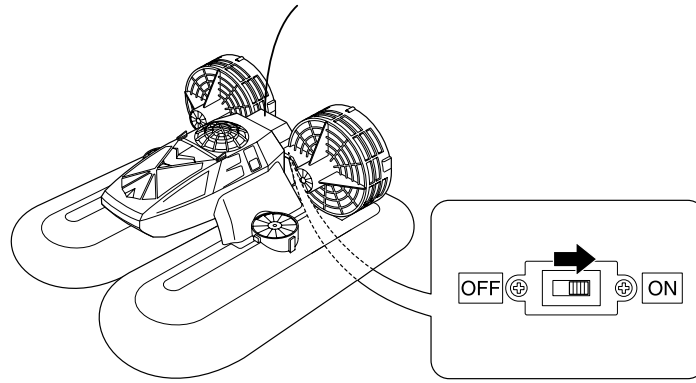
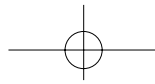
③

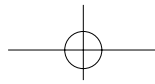


④



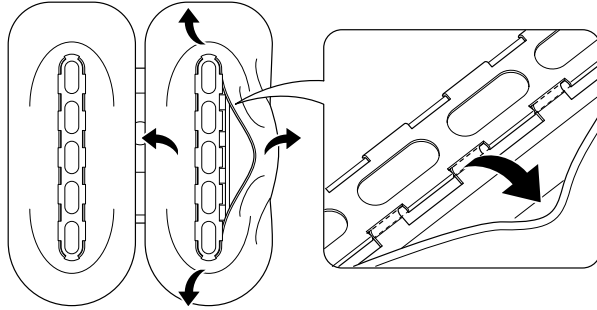
3



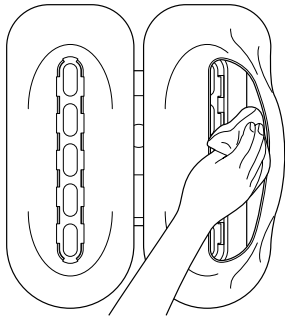


V

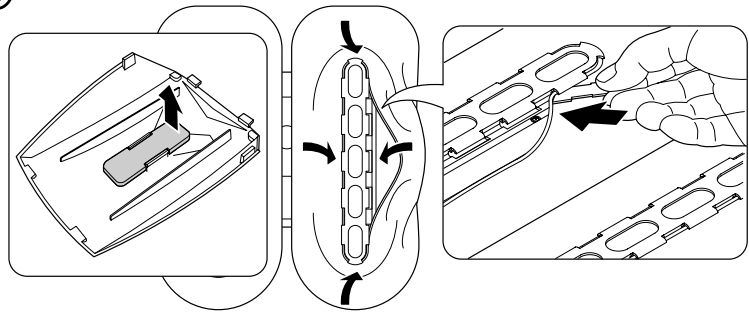
①



②

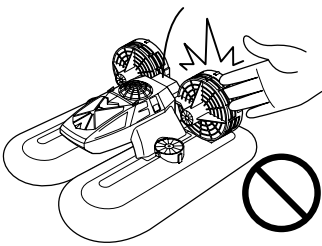


③



VI

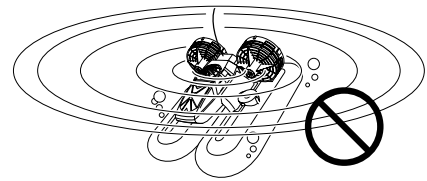
①



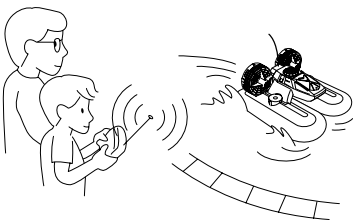
②



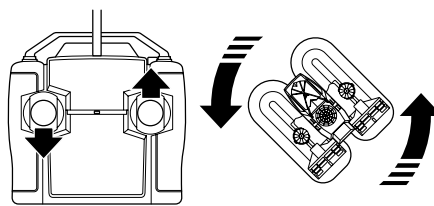
③



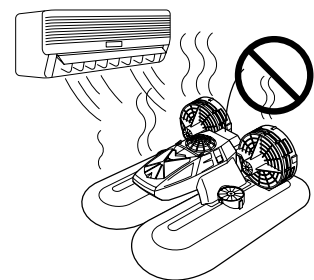
④



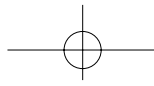
⑤



⑥



5



Precautions

Safety first

- Adult supervision strongly recommended, and use extra caution, when playing near water or ice. Stay off of lakes or any other body of water.
- Drive your vehicle in a safe area away from people, pets, cars, etc. Do not drive on streets or after dark.
- Do not touch or try to pick up the vehicle when it is in motion. Wait until it stops completely.
- Keep hair, fingers, face and loose clothing away from top and rear propellers while the vehicle is switched on or while the transmitter is operating.
- Never block rotation of top lift fan or stick any object through top, bottom or rear grilles.
- Do not drive hovercraft into walls or other hard objects.
- Be a responsible Stealth Hovercraft™ operator!

Batteries and Charger

Included: 9.6-Volt Rechargeable Battery Pack and Battery Charger for NiCd or NiMH Battery Packs and One 9-Volt (6LR61).

Not included: Optional High Capacity NiCd or NiMH Battery Packs with 750mAh or higher.

Use those optional batteries for a longer run time.

Battery Cautions

CAUTION: TO AVOID BATTERY LEAKAGE. (OF 9-VOLT (6LR61), 9.6V NiCd OR NiMH RECHARGEABLE BATTERIES)

1. Make sure the batteries are inserted correctly and follow the toy and battery manufacturer's instructions.
2. Make sure battery polarity (direction) is correct.
3. Use only battery type(s) recommended.
4. Remove rechargeable batteries from the product before charging. Recharge batteries only under adult supervision and follow the battery and charger manufacturer's instructions.

Other Battery Cautions

1. Use caution removing battery from vehicle after use. Battery may be hot.
2. Never pull the battery pack out of the vehicle by the wire or plug. Never unplug the battery by pulling on the battery.
3. Remove batteries from the product for storage.
4. Do not recharge non-rechargeable batteries.
5. Do not short-circuit battery terminals.
6. Dispose of batteries safely and properly, according to your local requirements.

NOTE: NICKEL CADMIUM BATTERIES MUST BE RECYCLED OR DISPOSED PROPERLY.

ADDITIONAL IMPORTANT BATTERY SAFETY INFORMATION

- Regularly examine charger and battery pack for damage, including plugs, casings and all other parts. If damaged, do not use.
- Not intended for children under 3 years old.
- Make sure the batteries are inserted with correct polarity and follow the toy and battery manufacturer's instructions.
- Remove weak or exhausted batteries from the product.
- Battery replacement should be done in presence of adult.
- Only batteries of the same type or equivalent type as recommended in the "Battery Installation" (or replacement) instructions are to be used.
- Non-rechargeable batteries are not to be used.
- If removable rechargeable batteries are to be used, they are only to be charged under adult supervision.
- Rechargeable batteries are to be removed from the product before they are charged.
- If you use a battery charger, it should be examined regularly for damage to the cord, plug, enclosure and other parts. Do not use a damaged battery charger until it has been properly repaired.
- Dispose of batteries safely and properly.



THIS PRODUCT USES A NICKEL CADMIUM BATTERY. MUST BE RECYCLED OR DISPOSED PROPERLY.

Contact your local area office of solid waste management or other appropriate local agency for information.

Battery Charging and Care

(Batteries and Charger included)

Vehicle will not run without a 9.6V rechargeable NiCd or NiMH battery pack and matching charger, commonly available for R/C vehicles at many toy and hobby dealers.

Always follow the instructions that come with your battery pack and recharger. Adult supervision of battery charging is recommended.

Running and Charging Times

1. NiCd and NiMH battery packs are not like alkaline batteries. They lose all their power suddenly, not gradually, and vehicle will stop very soon after slowing down becomes noticeable, with little warning. This is normal, but keep it in mind, especially when operating on water, since you need to get the vehicle back before the battery power runs out.
2. Typical running time will be between 7 to 8 minutes for a typical freshly charged NiCd battery pack in good condition (9 to 13 min. for NiMH), but do not rely on this until you observe how long your battery runs in your vehicle under the conditions you operate in.
Running time may vary over life of battery, with the first few charge cycles yielding shorter run times than later charges.

BATTERY CHARGING INSTRUCTIONS

NOTE: "CONDITION" BATTERY PACK FOR BEST RESULTS BY CHARGING ACCORDING TO THESE INSTRUCTIONS ON EVERY CHARGE. ON THE FIRST CHARGE, EXPECT A SHORTER RUN TIME. RUN TIMES WILL INCREASE OVER THE NEXT 6 CHARGES, REACHING SPECIFIED RUN TIMES.

Drain Down-Cool Down-Charge Up

1. After the first charge, for best performance always run the battery pack all the way down before recharging. Run until vehicle wheels/fans/motors slow to a stop.
Note: If you are operating a boat, hovercraft or other water vehicle in water, retrieve the vehicle while battery power is still strong and perform this Drain Down procedure on land. (Don't operate other kinds of vehicles in or near water.)
2. Allow the battery pack to cool before recharging.

Battery Heat

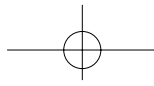
1. Battery gets hot after use! This is normal, but be careful. Wait until battery is cool (20 minutes or more if needed) before charging. Charging batteries when they are hot will severely reduce the number of times they can be recharged.
2. After charging, battery pack will be warm. This is normal.

RECHARGING INSTRUCTIONS

1. Plug wall pack charger into a standard wall outlet.
2. Connect the battery pack plug to the charger plug as shown in Section II.
3. Red light on charger will light to show charger is operating. Normal charging time is approximately 4 hours.
4. Unplug charger from wall after 4 hours of charging.
5. After charging, battery pack will feel warm. This is normal.

Rechargeable Battery Tips

1. Don't overcharge the battery pack. Unplug the charger from the wall at the end of the recommended charging time. (Approximately 4 hours)
2. NiMH battery packs are not like alkaline batteries. They lose all their power suddenly, not gradually, and vehicle will stop very soon after slowing down becomes noticeable, with little warning. This is normal, but keep it in mind, especially when operating on water, since you need to get the vehicle back before the battery power runs out.
3. Store your battery pack discharged.
4. Your battery pack will hold a charge for a shorter time in hot weather. Otherwise, you can charge a battery a day or so in advance of your use or for gift giving.
5. It's better to charge for the full 4 hours, even though the vehicle may operate with a partial battery charge.
6. When the use out of this battery pack becomes shorter and shorter, it is most likely time to replace the battery pack.



I. CONTENTS & FEATURES

This kit includes:

- A. Hovercraft x 1
- B. Transmitter x 1
- C. 9.6V NiCd battery pack
- D. 9V(6LR61) battery
- E. Battery charger
- F. Manual x 1

1 STEALTH HOVERCRAFT

(Side View)

- 1 Lift Fan
- 2 Air Bag Skirt
- 3 Drive Propellers
- 4 On/Off Switch (on Back Rear)

2 Transmitter

- 1 Transmitter Antenna
- 2 Motor Stop Button
- 3 Control Stick for Left Side Propeller
- 4 Control Stick for Right Side Propeller



There is no on/off switch on Transmitter. Moving the sticks turns it on automatically.

II. BATTERY INSTALLATION

1 Transmitter



To remove, reverse the installation procedure

- 1 Slide open the battery door in the direction as shown in the figure, while lightly pressing its center.
- 2 Insert a 9V (006P) battery with the polarity (+/-) as shown on the bottom of battery compartment.
- 3 Replace battery door, following the removal procedure in reverse.

2 Hovercraft

This product should be used with adult supervision.

Fully charge 9.6V battery pack in advance of your use.

- 1 Turn the latches located at the rear of canopy to unlock, slide canopy forward and remove.
- 2 Connect 9.6V battery pack connector with the vehicle connector. (Make sure the orientation of the connectors is correct.)
- 3 Insert 9.6V battery pack into battery compartment.
- 4 Replace canopy following the removal procedure in reverse, turn the latches to lock.

CAUTION: Use only the battery pack sup-

plied with this toy. Do not use any other source.

III. BEFORE OPERATION

Turn vehicle power on.

IV. THROTTLE CONTROLS

The transmitter's controls operate the power of the hovercraft's engines.

- 1 **FORWARD** (Push both sticks forward.)
- 2 **REVERSE THRUST** (Pull both sticks back.)
- 3 **LEFT TURN (FORWARD)** (Push right stick forward.)
- 4 **RIGHT TURN (BACK THRUST)** (Pull right stick back.)
- 5 **RIGHT TURN (FORWARD)** (Push left stick forward.)
- 6 **LEFT TURN (BACK THRUST)** (Pull left stick back.)
- 7 **LEFT SPIN** (At the same time, pull left stick back and push right stick forward.)
- 8 **RIGHT SPIN** (At the same time, pull right stick back and push left stick forward.)
- 9 **MOTOR STOP** (Push the upper right red button.)

* The propellers and the lift fans stop.



Do not stop the motor when operating on water.

V. CARE AFTER USE

The air bag skirt may fill with dirt and water during vehicle operation. After playing with the vehicle, remove the air bag skirt and clean the inside.

- 1 Pull and remove the air bag skirt from the skirt holder on the rear of the vehicle.
- 2 Clear away the dirt and water. If any excess water, dry the inside of the air bag skirt with a clean soft cloth.
- 3 Insert the air bag skirt into the skirt holder. When inserting the skirt, be sure to use the attached skirt plate on the backside of canopy. Using a substitute may damage the skirt.

VI. CAUTIONS DURING PLAYING WITH VEHICLE

- 1 Keep your fingers and other objects away from the lift fans and propellers while they are rotating at a high speed.
- 2 Do not drive your vehicle on streets or in a crowded place. When driving on

inclines or in a place exposed to strong wind, use extra caution as the vehicle may be influenced.

- 3 This vehicle is not water-proofing. Immersing it into water may lead to a malfunction.
- 4 Adult supervision is strongly recommended when playing near water. Do not drive your vehicle on the sea and wavy water surface, or where a rapid current flows. Stay away from where waves rise due to a strong wind. Also avoid driving on dirty water surface or where waterweed grows dense, otherwise a malfunction may occur. Operate your vehicle on water with due care to the distance and battery life, since you need to get the vehicle back before the battery power runs out.
- 5 The vehicle may not run on a surface with high friction resistance, such as sands, grass, or carpet.
- 6 Do not store the vehicle in a place near a heater or the like where temperature rises. After use, remove the transmitter battery and the main battery then store the vehicle.

BATTERY SAFETY INFORMATION

Batteries may leak fluids that can cause a chemical burn injury or ruin your toy (product). To avoid battery leakage:

- Insert batteries as indicated inside the battery compartment.
- Remove batteries during long periods of non-use. Always remove exhausted batteries from the toy (product). Dispose of batteries safely.
- Do not dispose of the batteries in a fire. They may explode or leak.
- Never short-circuit the battery terminals.
- Use only batteries of the same or equivalent type, as recommended.
- Do not charge non-rechargeable batteries.
- If removable, rechargeable batteries are used in the hovercraft and/or transmitter, they are only to be charged under adult supervision.

IMPORTANT INFORMATION

- DO NOT RECHARGE THE BATTERY IF IT FEELS HOT. ALLOW IT TO COOL BEFORE RECHARGING.
- NOT ATTEMPT TO USE OR CHARGE THE BATTERY IF IT SHOWS SIGNS OF LEAKAGE OR CORROSION.
- DO NOT DISASSEMBLE THE NiCd BATTERY. THE NiCd BATTERY IS A

SEALED NiCd (NICKEL-CADMIUM) BATTERY.

- IF THE HOVERCRAFT, BATTERY AND TRANSMITTER ARE WET, THOROUGHLY DRY BEFORE USING OR CHARGING.
- REGULARLY EXAMINE ALL WIRES AND CONNECTORS. IN THE EVENT OF DAMAGE, DO NOT USE.

The hovercraft is powered by Nickel-Cadmium technology, and requires no special procedures or precautions for disposal. However, as with all products, you should dispose of your NiCd battery in an environmentally responsible and considerate manner.

Important:

- If driving time becomes shorter or propellers does not turn with full power, the capacity of the 9V battery or 9.6V battery pack are insufficient. (Power LED light becomes dimmer as batteries wear.) It is the tale-tell sign you need to replace the 9V battery or recharge the 9.6V battery pack.
- Be sure to recharge the hovercraft just before driving it. If you do not play with the hovercraft immediately after recharging, the charge is drained and the hovercraft cannot drive.
- When the battery temperature gets too high, the circuit shuts off automatically to protect the receiver circuit and the battery in the hovercraft. In such a case, wait until the battery cools down before recharging or playing with the hovercraft.
- If the rechargeable battery is repeatedly charged without being sufficiently discharged first, the capacity will gradually decrease (memory effect of battery). This is a characteristic of rechargeable batteries. Be sure to start recharging after operating the propellers until they nearly stop.

completely dry.

Thoroughly wipe off all moisture and allow them to air-dry completely before use.

- DO NOT drive in the street! Make sure you have plenty of open space in all directions (please see Section VI).
- Regularly inspect the antenna for cracks or breaks. Do NOT bend the transmitter antenna. DO NOT use the transmitter if the antenna is broken.
- The hovercraft 's wire antenna is fragile. Never pull or tug on the antenna, as it may loosen or detach from the hovercraft. Never coil or knot the antenna.

NOTE: The manufacturer is not responsible for any radio or TV interference caused by unauthorized modifications to this equipment. Such modifications could void the user's authority to operate the equipment.

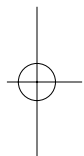
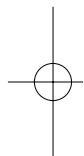
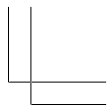
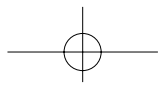
TROUBLESHOOTING GUIDE

- When vehicle does not float
 - Make sure the vehicle power is on.
 - Make sure the main battery and the transmitter battery have sufficient charge.
 - Make sure the skirt is correctly inserted.
 - Check if the skirt is broken.
 - Check the skirt for punctures due to rocks or broken pavement.
- When vehicle does not move or moves slowly
 - Check if any unauthorized batteries are used.
 - Make sure the main battery and the transmitter battery have sufficient charge.
 - Check if the distance between the transmitter and the vehicle exceeds 30m.
 - Drive on a surface with high friction resistance, such as sands, grass, or carpet.
- When vehicle is not operational
 - Make sure the vehicle power is on.
 - Make sure the main battery and the transmitter battery have sufficient charge.
 - Check if the main battery and the transmitter battery are inserted with correct polarity.
 - Check if the distance between the transmitter and the vehicle exceeds 30m.
 - Check if a near transmitter produces interference or signals with the same frequency. In such a case, move to another place or try after a while.

VII. SAFETY INFORMATION

Adults, this toy is recommended for children 8 years of age and older. To ensure that the child's play is both safe and fun, please review the operating instructions and these general safety rules with the child.

- Keep fingers, hair and loose clothing away from the propellers while the hovercraft is switched ON.
- Adult supervision is recommended when the hovercraft is being operated.
- To avoid accidental operation, remove the removable battery when not in use.
- If the hovercraft and/or transmitter get wet, discontinue use until they are



638A458-01

