



CREATIVE EQUIPMENT CC

18 Main Road, Fishers Hill, Germiston, 1401
Tel: 011 828 5085 Fax: 011-828-5085
crequip@global.co.za www.creativelp.co.za

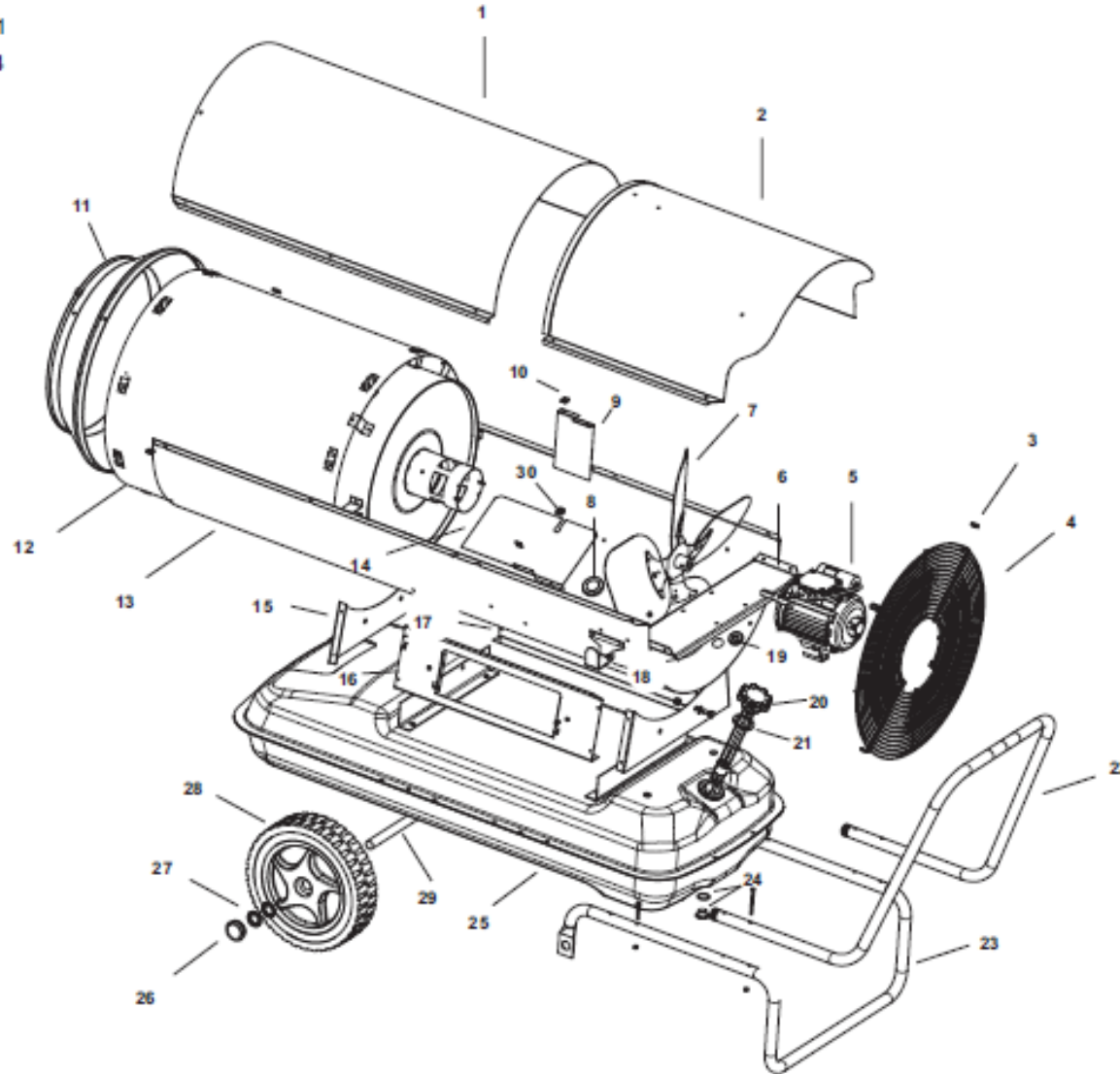


ILLUSTRATED PARTS LIST

MODEL B360 OUTPUT
PRODUCT DIRECT FIRED HEATER

From Serial Number: 30200001
Untill Serial Number: 31200284

Edizione 2010
Rev. A



Cod. 4111.636



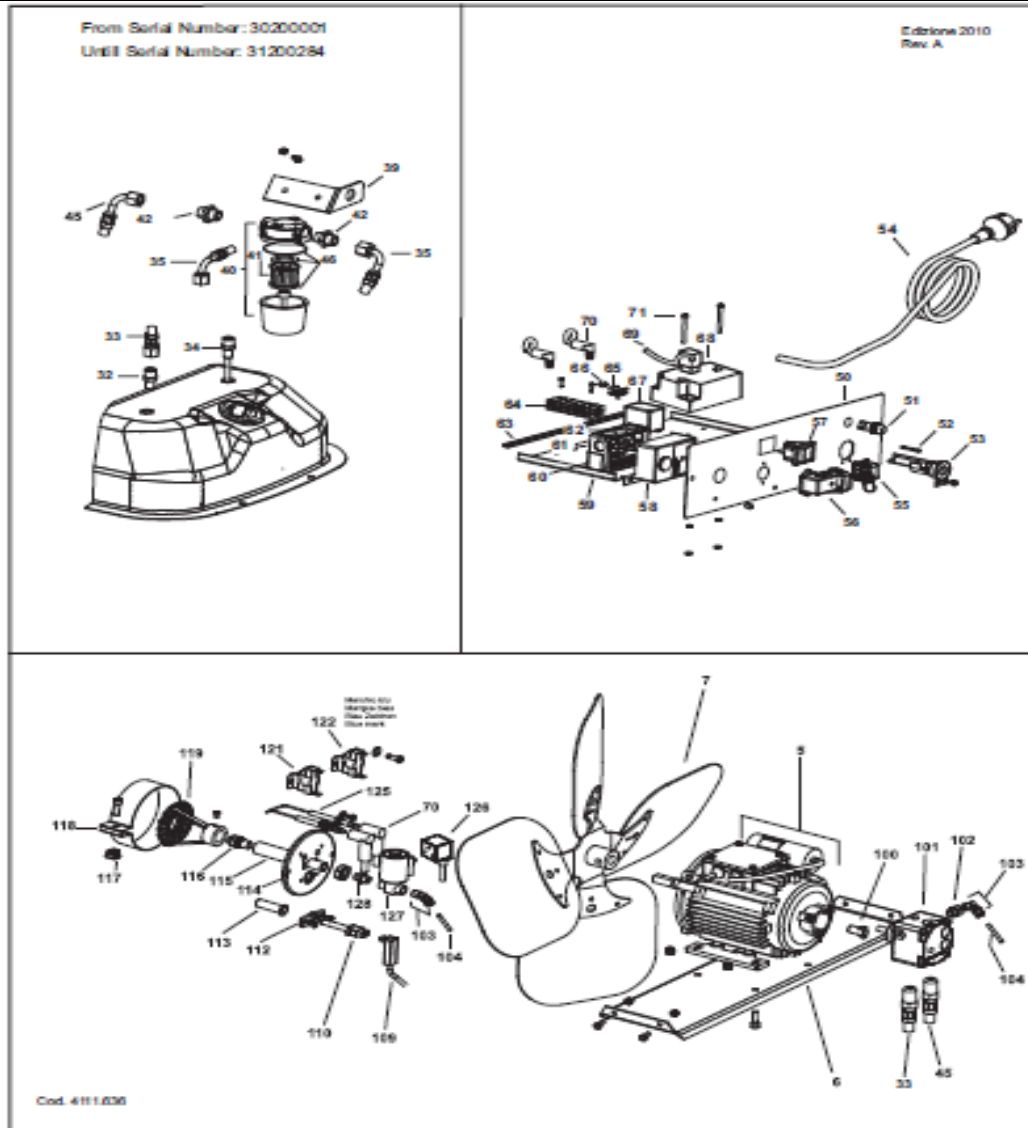
CREATIVE EQUIPMENT CC

18 Main Road, Fishers Hill, Germiston, 1401
Tel: 011 828 5085 Fax: 011-828-5085
crequip@global.co.za www.creativelp.co.za



ILLUSTRATED PARTS LIST

MODEL B360 OUTPUT
PRODUCT DIRECT FIRED HEATER



**CREATIVE EQUIPMENT CC**

18 Main Road, Fishers Hill, Germiston, 1401
 Tel: 011 828 5085 Fax: 011-828-5085
 crequip@global.co.za www.creativelp.co.za

**ILLUSTRATED PARTS LIST**

MODEL B360 OUTPUT
 PRODUCT DIRECT FIRED HEATER

#	PART #	DESCRIPTION	
FROM 30200001 to 31200284			
1	4111.604	UPPER BODY	
2	4032.458	UPPER BODY MOBILE	
3	4111.241	ELASTIC PLATE Ø 4,2	
4	4032.465	INLET GRILL	
5	4032.370	MOTOR 4PW 230V/50 IP44	
6	4032.463	MOTOR FLANGE SUPPORT	
7	4033.019	FAN	
8	4111.056	PROTECTION CABLE	
9	4032.518	CENTRAL AIR FLAP	
10	4104.170	CLIP NUT	
11	4032.452	OUTLET CONE	
12	4111.638	COMBUSTION CHAMBER	
13	4032.460	LOWER BODY	
14	4111.610	AIR FLAP	
15	4032.470	BASE	
16	4032.466	ELECTR. COMPONENTS DRAWER PANEL	
17	4032.468	SIDE PANEL	
18	4032.536	POWER CORD HOOK	
19	4160.646	PROTECTION CABLE	

#	PART #	DESCRIPTION	
20	4032.475	FUEL LEVEL PROBE	
21	4032.537	FUEL LEVEL PROBE GASKET	
22	4032.480	HANDLE FRAME	
23	4032.476	FOOT FRAME	
24	4100.632	DRAIG PLUG	
25	4032.439	FUEL TANK	
26	4111.480	WHEEL PLUG	
27	4111.072	WHEEL PLUG Ø 20	
28	4110.978	WHEEL	
29	4032.478	AXLE	
30	4101.151	PROTECTION CABLE	
32	4031.068	CONN. STRAIGHT ¼"	
33	4031.062	FUEL PIPE PUMP-TANK	
34	4031.067	PIPE CONNECTION ¼"	
35	4031.063	FUEL PIPE TANK-FILTER	
39	4111.045	FILTER SUPPORT	
40	4031.070	FILTER WITH CARTIDGE 3/8"	
41	4031.015	FILTER CARTIDGE	
42	4031.064	DOUBLE SCREW	
45	4031.061	FUEL PIPE FILTER-PUMP	

**CREATIVE EQUIPMENT CC**

18 Main Road, Fishers Hill, Germiston, 1401
 Tel: 011 828 5085 Fax: 011-828-5085
 crequip@global.co.za www.creativelp.co.za

**ILLUSTRATED PARTS LIST**

MODEL B360 OUTPUT
 PRODUCT DIRECT FIRED HEATER

#	PART #	DESCRIPTION
46	4111.116	OR KIT FILTER
50	4032.466	ELECTR. COMPONENTS DRAWER PANEL
51	4117.058	PILOT LAMP
52	4111.040	FUSE (6,3X32) 10 A
53	4111.038	CABLE FASTENER
54	4111.153	POWER CORD
55	4162.467	THERMOSTAT PLUG
56	4111.119	PLATE PLUG
57	4160.637	SWITCH 16A
58	4110.968	CONTROL BOX SATRONIC
59	4032.448	ELECTR. COMPONENTS BASE
60	4032.499	CONTROL BOX SUPPORT
61	4110.969	CONTROL BOX BASE
62	4110.967	PG PLATE
63	4110.155	EDGE LINER
64	4111.033	TERMINAL BOARD
65	4160.639	POP RIVET WITH TERMIN. 4 WAY
66	4032.450	PLASTIC PIN
67	4111.032	RELAY FINDER
68	4031.541	TRANSFORMER
69	4110.491	TRANSFORMER POWER CORD
70	4110.490	H.T. CABLE

#	PART #	DESCRIPTION
71	4160.421	M4 SCREW
100	4111.081	COUPLING SIMEL
101	4031.476	PUMP DANFOSS
102	4161.501	NUT FOR BICONE 1/8
103	4161.140	CONNECTION 90° 1/8
104	4032.433	OIL SUPPLY PIPE
109	4110.970	PHOTOCELL CONN. CABLE
110	4110.966	PHOTOCELL
112	4111.076	PHOTOCELL BLOCK BRACKET
113	4032.406	PHOTOCELL SUPPORT
114	4032.405	BURNER FLANGE
115	4032.403	NOZZLE SUPPORT
116	4111.143	NOZZLE 2,00 GPH 80°H
117	4032.454	M6 NUT
118	4032.453	AIR REGULATILON FLAP
119	4032.570	TURBO DISC
121	4031.045	FAN THERMOSTAT
122	4031.047	LIMIT THERMOSTAT
125	4031.426	ELECTRODE
126	4032.110	POWER CORD SOLENOID SPOOL
127	4102.535	SOLENOID SPOOL 230V/50Hz
128	4160.968	CONN. STRAIGHT 1/8"



CREATIVE EQUIPMENT CC

18 Main Road, Fishers Hill, Germiston, 1401
Tel: 011 828 5085 Fax: 011-828-5085
crequip@global.co.za www.creativelp.co.za

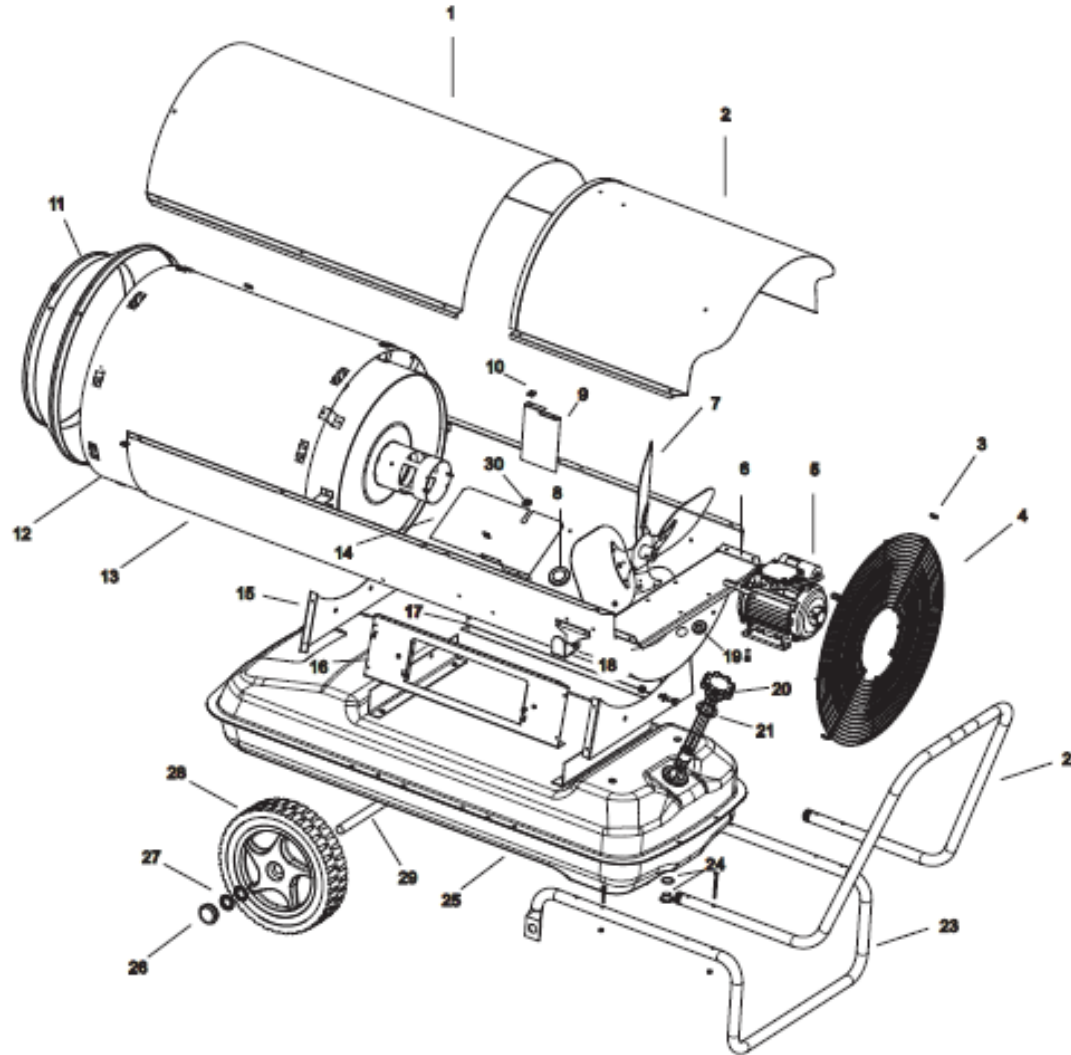


ILLUSTRATED PARTS LIST

MODEL B360 OUTPUT
PRODUCT DIRECT FIRED HEATER

From Serial Number: 31200285
Until Serial Number: 32200522

Rev. B - May 2011



ESP00142



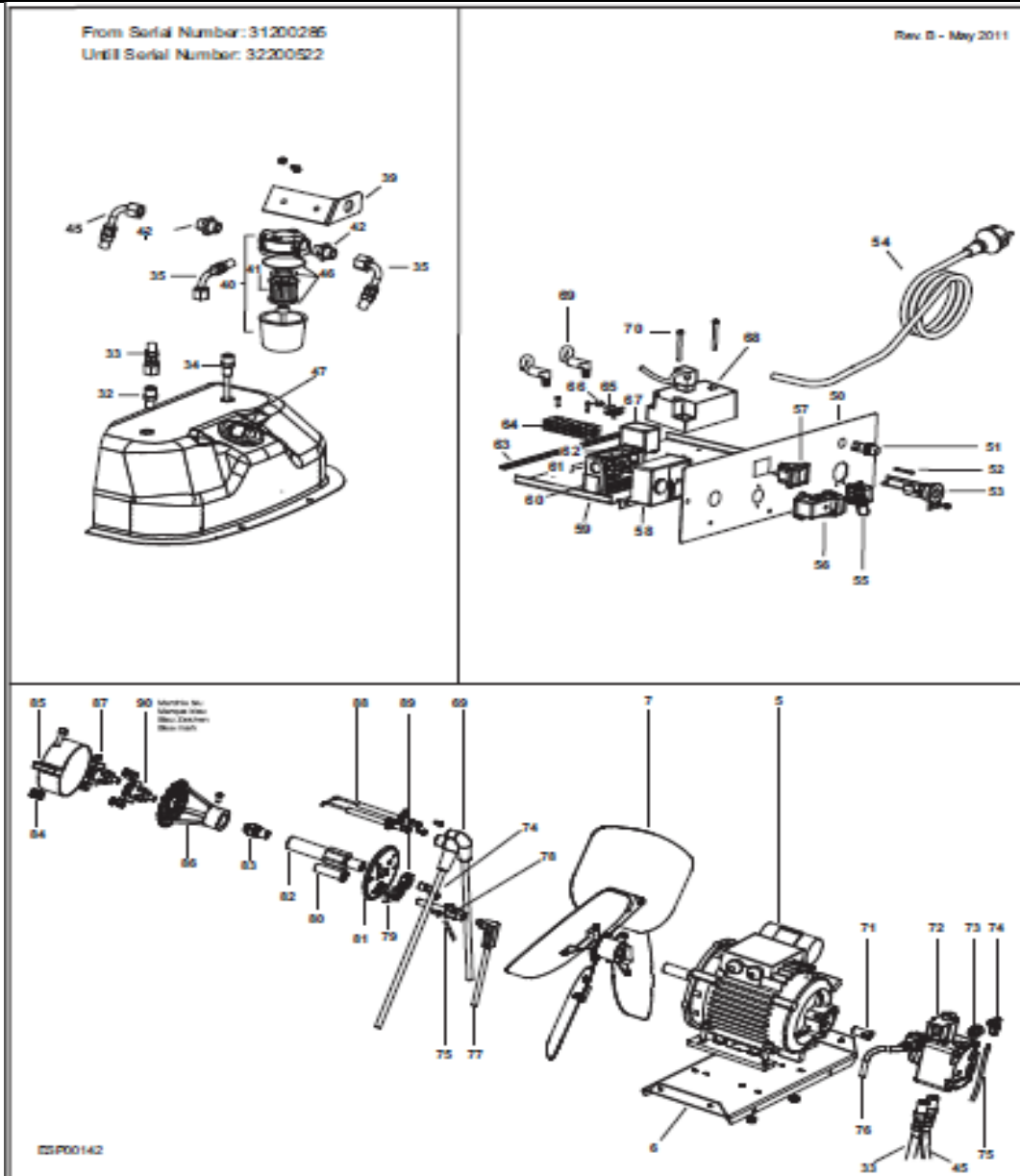
CREATIVE EQUIPMENT CC

18 Main Road, Fishers Hill, Germiston, 1401
Tel: 011 828 5085 Fax: 011-828-5085
crequip@global.co.za www.creativelp.co.za



ILLUSTRATED PARTS LIST

MODEL B360 OUTPUT
PRODUCT DIRECT FIRED HEATER





CREATIVE EQUIPMENT CC

18 Main Road, Fishers Hill, Germiston, 1401
 Tel: 011 828 5085 Fax: 011-828-5085
 crequip@global.co.za www.creativelp.co.za



ILLUSTRATED PARTS LIST

MODEL B360 OUTPUT
 PRODUCT DIRECT FIRED HEATER

#	PART #	DESCRIPTION	
FROM 31200285 to 32200522			
1	4111.604	UPPER BODY	
2	4032.458	UPPER BODY MOBILE	
3	4111.241	ELASTIC PLATE Ø 4,2	
4	4032.465	INLET GRILL	
5	4032.370	MOTOR 4PW 230V/50 IP44	
6	4032.463	MOTOR FLANGE SUPPORT	
7	4033.019	FAN	
8	4111.056	PROTECTION CABLE	
9	4032.518	CENTRAL AIR FLAP	
10	4104.170	CLIP NUT	
11	4032.452	OUTLET CONE	
12	4111.638	COMBUSTION CHAMBER	
13	4032.460	LOWER BODY	
14	4111.610	AIR FLAP	
15	4032.470	BASE	
16	4032.466	ELECTR. COMPONENTS DRAWER PANEL	
17	4032.468	SIDE PANEL	
18	4032.536	POWER CORD HOOK	
19	4160.646	PROTECTION CABLE	

#	PART #	DESCRIPTION	
20	4032.475	FUEL LEVEL PROBE	
21	4032.537	FUEL LEVEL PROBE GASKET	
22	4032.480	HANDLE FRAME	
23	4032.476	FOOT FRAME	
24	4100.632	DRAIG PLUG	
25	4033.092	FUEL TANK	
26	4111.480	WHEEL PLUG	
27	4111.072	WHEEL PLUG Ø 20	
28	4110.978	WHEEL	
29	4032.478	AXLE	
30	4101.151	PROTECTION CABLE	
32	4031.068	CONN. STRAIGHT ¼"	
33	4031.062	FUEL PIPE PUMP-TANK	
34	4031.067	PIPE CONNECTION ¼"	
35	4031.063	FUEL PIPE TANK-FILTER	
39	4032.437	FILTER SUPPORT	
40	4033.090	FILTER WITH CARTIDGE 3/8"	
41	4031.494	FILTER CARTIDGE	
42	4031.064	DOUBLE SCREW	
45	4031.061	FUEL PIPE FILTER-PUMP	

**CREATIVE EQUIPMENT CC**

18 Main Road, Fishers Hill, Germiston, 1401
 Tel: 011 828 5085 Fax: 011-828-5085
 crequip@global.co.za www.creativelp.co.za

**ILLUSTRATED PARTS LIST**

MODEL B360 OUTPUT
 PRODUCT DIRECT FIRED HEATER

#	PART #	DESCRIPTION
46	4111.116	OR KIT FILTER
47	4032.472	NECK PLASTIC FILLERT
50	4032.446	ELECTR. COMPONENTS DRAWER PANEL
51	4117.058	PILOT LAMP
52	4111.040	FUSE (6,3X32) 10 A
53	4111.038	CABLE FASTENER
54	4111.153	POWER CORD
55	4162.467	THERMOSTAT PLUG
56	4111.119	PLATE PLUG
57	4160.637	SWITCH 16A
58	4110.968	CONTROL BOX SATRONIC
59	4032.448	ELECTR. COMPONENTS BASE
60	4032.499	CONTROL BOX SUPPORT
61	4110.969	CONTROL BOX BASE
62	4110.967	PG PLATE
63	4110.155	EDGE LINER
64	4111.033	TERMINAL BOARD
65	4160.639	POP RIVET WITH TERMIN. 4 WAY
66	4032.450	PLASTIC PIN
67	4111.032	RELAY FINDER
68	4111.890	KIT TRANSFORMER
69	4110.490	H.T. CABLE

#	PART #	DESCRIPTION
70	4160.421	M4 SCREW
71	4111.081	COUPLING SIMEL
72	4033.122	PUMP DANFOSS
73	4161.501	NUT FOR BICONE 1/8
74	4161.140	CONNECTION 90° 1/8
75	4032.433	OIL SUPPLY PIPE
76	4033.087	POWER CORD PUMP
77	4110.970	PHOTOCELL CONN. CABLE
78	4110.966	PHOTOCELL
79	4111.076	PHOTOCELL BLOCK BRACKET
80	4032.406	PHOTOCELL SUPPORT
81	4032.405	BURNER FLANGE
82	4032.403	NOZZLE SUPPORT
83	4111.143	NOZZLE 2,00 GPH 80°H
84	4032.454	M6 NUT
85	4032.453	AIR REGULATILON FLAP
86	4033.071	TURBO DISC
87	4031.045	FAN THERMOSTAT
88	4033.057	ELECTRODE
89	4032.407	NUT M14
90	4031.047	LIMIT THERMOSTAT



CREATIVE EQUIPMENT CC

18 Main Road, Fishers Hill, Germiston, 1401
Tel: 011 828 5085 Fax: 011-828-5085
crequip@global.co.za www.creativelp.co.za

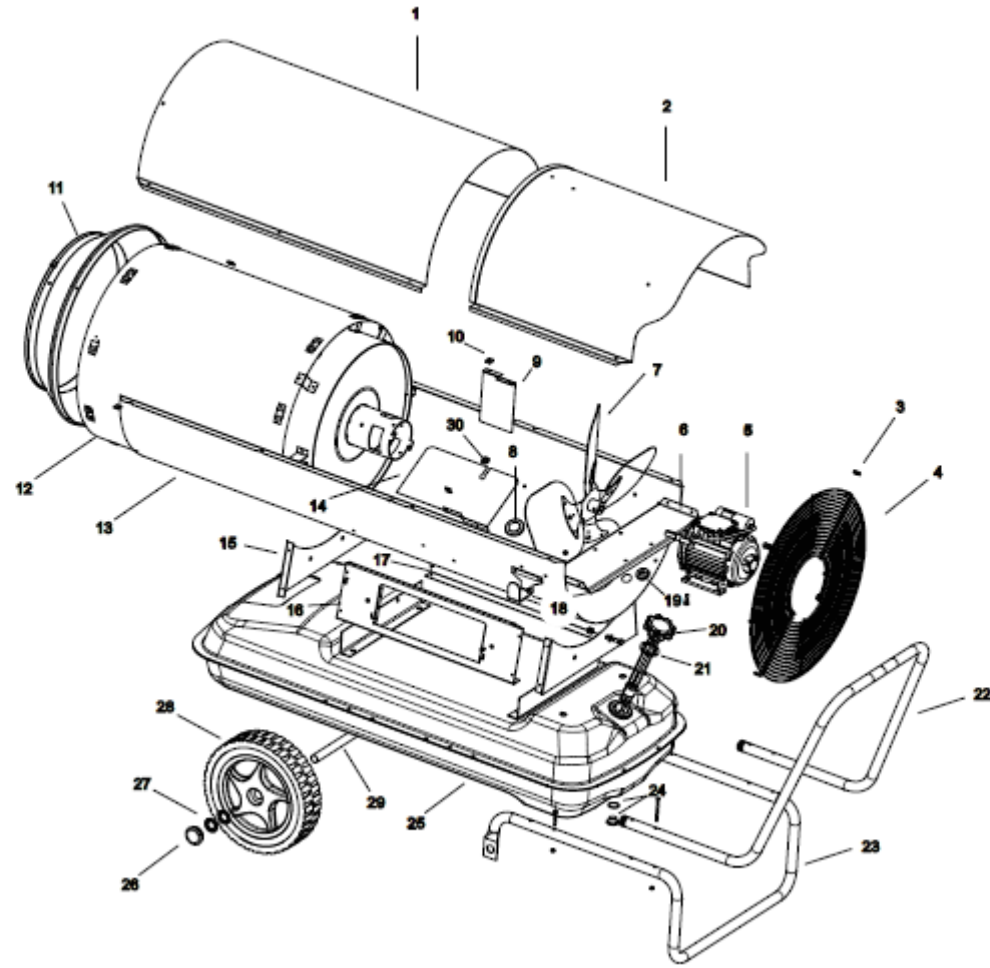


ILLUSTRATED PARTS LIST

MODEL B360 OUTPUT
PRODUCT DIRECT FIRED HEATER

From Serial Number: 32200522

Rev.C - May 2012



ESP00142



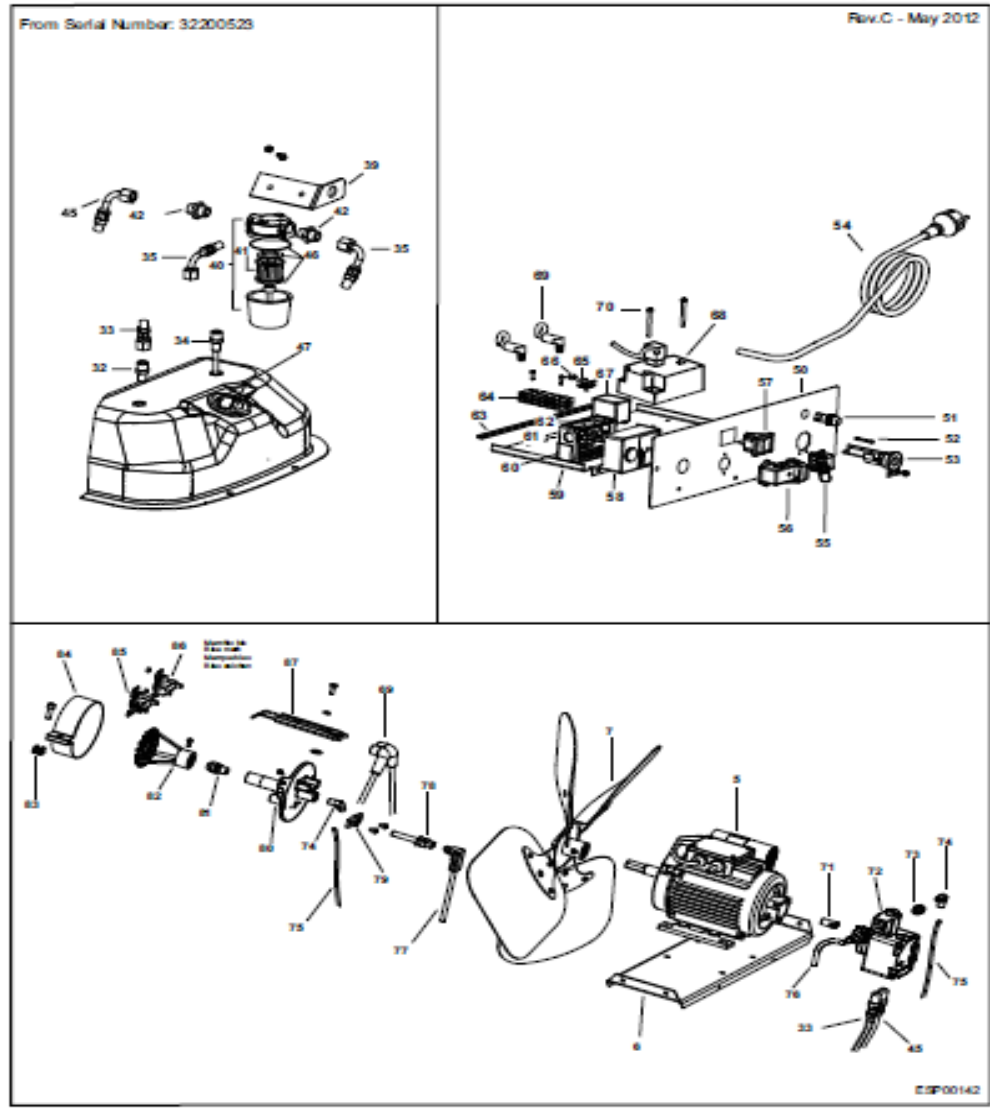
CREATIVE EQUIPMENT CC

18 Main Road, Fishers Hill, Germiston, 1401
Tel: 011 828 5085 Fax: 011-828-5085
crequip@global.co.za www.creativelp.co.za



ILLUSTRATED PARTS LIST

MODEL B360 OUTPUT
PRODUCT DIRECT FIRED HEATER





CREATIVE EQUIPMENT CC

18 Main Road, Fishers Hill, Germiston, 1401
 Tel: 011 828 5085 Fax: 011-828-5085
 crequip@global.co.za www.creativelp.co.za



ILLUSTRATED PARTS LIST

MODEL B360 OUTPUT
 PRODUCT DIRECT FIRED HEATER

#	PART #	DESCRIPTION	
FROM		32200522	
1	4111.604	UPPER BODY	
2	4032.458	UPPER BODY MOBILE	
3	4111.241	ELASTIC PLATE Ø 4,2	
4	4032.465	INLET GRILL	
5	4032.370	MOTOR 4PW 230V/50 IP44	
6	4032.463	MOTOR FLANGE SUPPORT	
7	4033.019	FAN	
8	4111.056	PROTECTION CABLE	
9	4032.518	CENTRAL AIR FLAP	
10	4104.170	CLIP NUT	
11	4032.452	OUTLET CONE	
12	4033.197	COMBUSTION CHAMBER	
13	4032.460	LOWER BODY	
14	4111.610	AIR FLAP	
15	4032.470	BASE	
16	4032.466	ELECTR. COMPONENTS DRAWER PANEL	
17	4032.468	SIDE PANEL	
18	4032.536	POWER CORD HOOK	
19	4160.646	PROTECTION CABLE	

#	PART #	DESCRIPTION	
20	4032.475	FUEL LEVEL PROBE	
21	4032.537	FUEL LEVEL PROBE GASKET	
22	4032.480	HANDLE FRAME	
23	4032.476	FOOT FRAME	
24	4100.632	DRAIG PLUG	
25	4033.092	FUEL TANK	
26	4111.480	WHEEL PLUG	
27	4111.072	WHEEL PLUG Ø 20	
28	4110.978	WHEEL	
29	4032.478	AXLE	
30	4101.151	PROTECTION CABLE	
32	4031.068	CONN. STRAIGHT ¼"	
33	4031.062	FUEL PIPE PUMP-TANK	
34	4031.067	PIPE CONNECTION ¼"	
35	4031.063	FUEL PIPE TANK-FILTER	
39	4032.437	FILTER SUPPORT	
40	4033.090	FILTER WITH CARTIDGE 3/8"	
41	4031.494	FILTER CARTIDGE	
42	4031.064	DOUBLE SCREW	
45	4031.061	FUEL PIPE FILTER-PUMP	

**CREATIVE EQUIPMENT CC**

18 Main Road, Fishers Hill, Germiston, 1401
 Tel: 011 828 5085 Fax: 011-828-5085
 crequip@global.co.za www.creativelp.co.za

**ILLUSTRATED PARTS LIST**

MODEL B360 OUTPUT
 PRODUCT DIRECT FIRED HEATER

#	PART #	DESCRIPTION
46	4111.116	OR KIT FILTER
47	4032.472	NECK PLASTIC FILLERT
50	4032.446	ELECTR. COMPONENTS DRAWER PANEL
51	4117.058	PILOT LAMP
52	4111.040	FUSE (6,3X32) 10 A
53	4111.038	CABLE FASTENER
54	4111.153	POWER CORD
55	4162.467	THERMOSTAT PLUG
56	4111.119	PLATE PLUG
57	4160.637	SWITCH 16A
58	4110.968	CONTROL BOX SATRONIC
59	4032.448	ELECTR. COMPONENTS BASE
60	4032.499	CONTROL BOX SUPPORT
61	4110.969	CONTROL BOX BASE
62	4110.967	PG PLATE
63	4110.155	EDGE LINER
64	4111.033	TERMINAL BOARD
65	4160.639	POP RIVET WITH TERMIN. 4 WAY
66	4032.450	PLASTIC PIN
67	4111.032	RELAY FINDER
68	4111.890	KIT TRANSFORMER

#	PART #	DESCRIPTION
69	4110.490	H.T. CABLE
70	4160.421	M4 SCREW
71	4111.081	COUPLING SIMEL
72	4033.122	PUMP DANFOSS
73	4161.501	NUT FOR BICONE 1/8
74	4033.198	CONNECTION 90° 1/8
75	4033.186	OIL SUPPLY PIPE
76	4033.087	POWER CORD PUMP
77	4110.970	PHOTOCELL CONN. CABLE
78	4110.966	PHOTOCELL
79	4111.076	PHOTOCELL BLOCK BRACKET
80	4033.059	BURNER FLANGE
81	4111.143	NOZZLE 2,00 GPH 80°H
82	4033.071	TURBO DISC
83	4032.454	M6 NUT
84	4032.453	AIR REGULATILON FLAP
85	4031.045	FAN THERMOSTAT
86	4031.047	LIMIT THERMOSTAT
87	4111.826	ELECTRODE