



CREATIVE EQUIPMENT CC
18 Main Road, Fishers Hill, Germiston, 1401
Tel: 011 828 5085 Fax: 011-828-5085
crequip@global.co.za www.creativelp.co.za



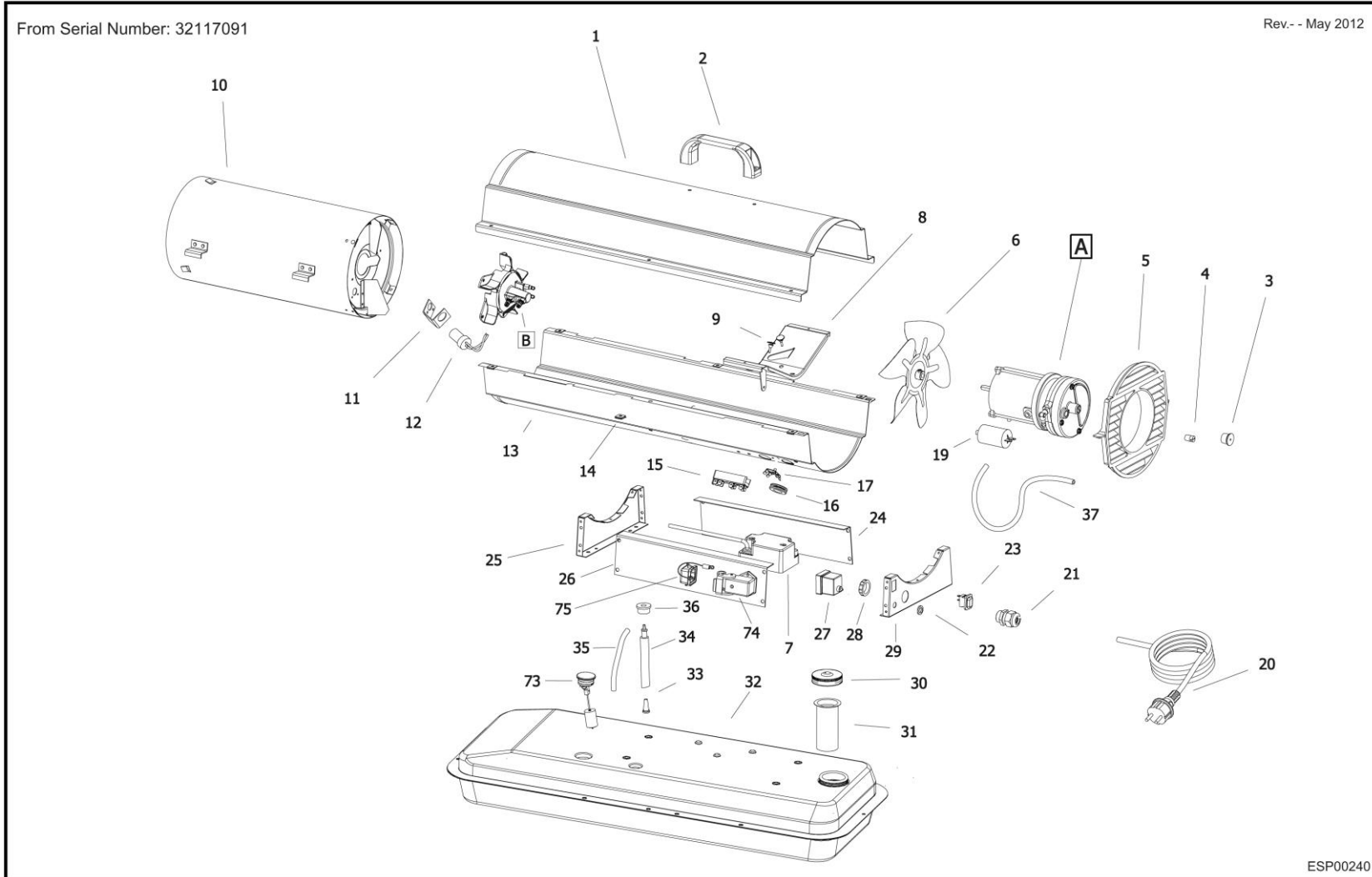
ILLUSTRATED PARTS LIST

MODEL B70
PRODUCT DIRECT FIRED HEATER

MODEL B70 CED

UNIT 1

ILLUSTRATED PARTS BREAKDOWN





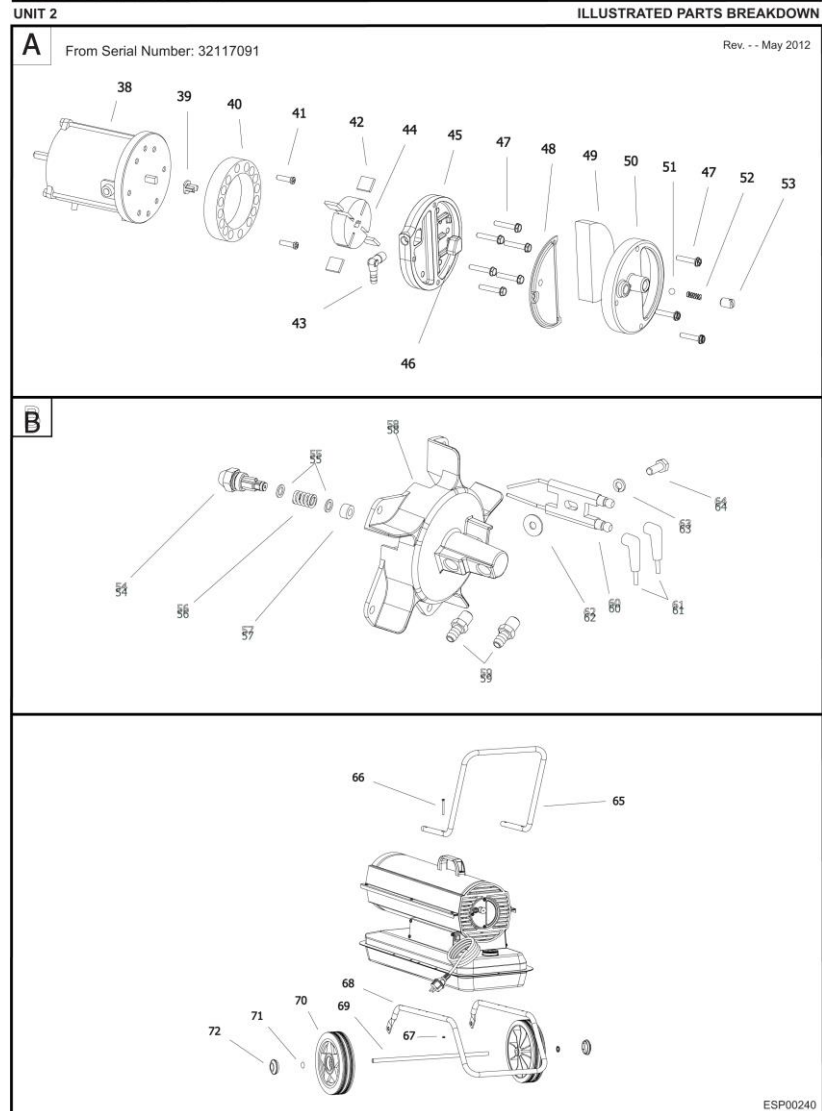
CREATIVE EQUIPMENT CC
18 Main Road, Fishers Hill, Germiston, 1401
Tel: 011 828 5085 Fax: 011-828-5085
crequip@global.co.za www.creativelp.co.za



ILLUSTRATED PARTS LIST

MODEL B70
PRODUCT DIRECT FIRED HEATER

MODEL B70 CED





CREATIVE EQUIPMENT CC
 18 Main Road, Fishers Hill, Germiston, 1401
 Tel: 011 828 5085 Fax: 011-828-5085
 crequip@global.co.za www.creativelp.co.za



ILLUSTRATED PARTS LIST

MODEL B70
 PRODUCT DIRECT FIRED HEATER

#	PART #	DESCRIPTION	ALTERNATIVE CODE
FROM SERIAL NUMER: 32117091			
1	4110.121	UPPER SHELL	
2	4162.893	PLASTIC HANDLE	
3	4100.666	COVER CAP	
4	4102.125	PRESSURE GAUGE CAP	
5	4103.685	FAN GUARD	
6	4110.414	FAN	
7	4111.833	ELECTRONIC IGNITOR	4111.885
8	4110.187	MOTOR BRACKET	
9	4150.553	BUMPER	
10	4110.579	COMBUSTION CHAMBER	
11	4100.658	PHOTOCELL BRACKET	
12	4110.564	PHOTOCELL ASSEMBLY	
13	4110.535	LOWER SHELL	
14	4104.17	CLIP NUT	
15	4106.11	TERMINAL BOARD	
16	4160.646	CABLE PROTECTION	
17	4160.639	RIVET POP	
19	4110.293	CAPACITOR	4111.854
20	4110.451	POWER CORD	
21	4150.528	STRAIN RELIEF	

#	PART #	DESCRIPTION	ALTERNATIVE CODE
22	4109.592	NUT	
23	4106.179	ON/OFF SWITCH	
24	4110.56	RIGHT PANEL	
25	4110.113	FORE FRAME BRACKET	
26	4110.794	LEFT PANEL	
27	4104.196	FLAME-OUT CONTROL	
28	4100.656	LOCKNUT	
29	4110.514	REAR FRAME BRACKET	
30	4103.891	FUEL TANK CAP	
31	4105.292	FUEL TANK FILTER	
32	4110.384	FUEL TANK	
33	4110.356	FUEL FILTER	
34	4110.391	FUEL LINE	
35	4110.032	FUEL LINE	
36	4100.541	RUBBER BUSHING	
37	4104.147	AIR LINE	
38	4110.48	MOTOR 1/8 HP	4111.851
39	4108.635	INSERT	
40	4110.068	PUMP BODY	
41	4110.302	PUMP BODY SCREW	
42	4101.2	BLADE	



CREATIVE EQUIPMENT CC
 18 Main Road, Fishers Hill, Germiston, 1401
 Tel: 011 828 5085 Fax: 011-828-5085
 crequip@global.co.za www.creativelp.co.za



ILLUSTRATED PARTS LIST

MODEL B70
 PRODUCT DIRECT FIRED HEATER

#	PART #	DESCRIPTION	ALTERNATIVE CODE
FROM SERIAL NUMER: 32117091			
43	4161.497	BARB ELBOW	
44	4108.627	ROTOR	
45	4110.411	PUMP END COVER	
46	4109.716	LINT FILTER	
47	4108.528	SCREW/LOCKWASHER 4,8x25	
48	4109.708	OUTPUT FILTER	
49	4109.69	INTAKE FILTER	
50	4109.674	END COVER	
51	4108.379	STEEL BALL	
52	4102.141	PRESSURE RELIEF SPRING	
53	4102.133	ADJUSTING SCREW	
54	4103.486	NOZZLE	
55	4100.525	WASHER	
56	4100.533	NOZZLE SEAL SPRING	
57	4101.622	NOZZLE SEAL SLEEVE	
58	4110.399	BURNER HEAD BODY	

#	PART #	DESCRIPTION	ALTERNATIVE CODE
59	4104.118	BARB FITTING	
60	4110.337	BIFILAR ELECTRODES	
61	4111.831	HT CABLE	
62	4110.394	WASHER	
63	4110.393	WASHER	
64	4110.363	SCREW	
65	4111.212	HANDLES	
66	4110.518	SCREW	
67	4110.143	LOCK NUT	
68	4111.21	WHEEL SUPPORT FRAME	
69	4111.208	AXLE	
70	4110.084	WHEEL	
71	4110.162	WASHER	
72	4110.129	CAP NUT	
73	4260.006	FUEL GAUGE	
74	4111.119	AMBIENT THERMOSTAT SOCKET	
75	4162.467	SOCKET CAP	