



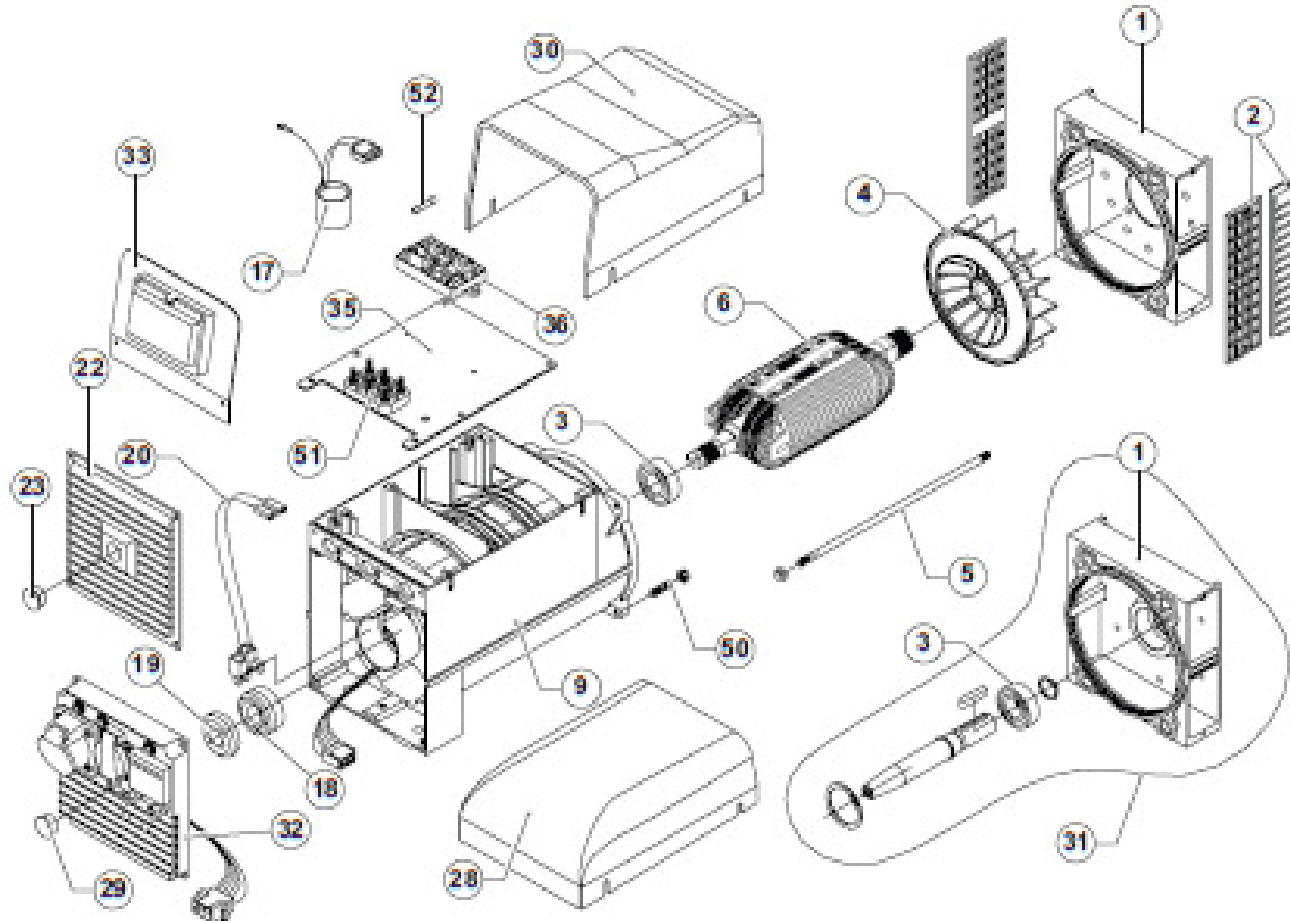
CREATIVE EQUIPMENT CC

18 Main Road, Fishers Hill, Germiston, 1401
Tel: 011 828 5085 Fax: 011-828-5085
crequip@global.co.za www.creativelp.co.za



ILLUSTRATED PARTS LIST

MODEL EKR SERIES
PRODUCT Single-phase synchronous self-regulated brushless 2 poles alternator with electronic voltage regulation (AVR)



**CREATIVE EQUIPMENT CC**

18 Main Road, Fishers Hill, Germiston, 1401
 Tel: 011 828 5085 Fax: 011-828-5085
 crequip@global.co.za www.creativelp.co.za

**ILLUSTRATED PARTS LIST**

MODEL EKR SERIES
 PRODUCT Single-phase synchronous self-regulated brushless 2 poles alternator with electronic voltage regulation (AVR)

#	PART #	OLD #	DESCRIPTION
1 (*)	107689	4061011023	Front shield IMB35 J609A
	107691	4061011031	Front shield IMB35 J609B
	107717	406101123	Front shield IMB35 c.23-c.30
	107682	4061011011	Front shield IMB34 (B3/B14)
2 (*)	106212	266062001	IP21 front grid
	106149	266042001	IP23 front grid
3	105453	1750016205	Bearing type 6205 2RS C3
4 (*)	106318	266083001	Fan (with hole diam.30)
	106319	266083002	Fan (with hole diam.35)
5 (*)	105-	17600-	Shaft stay bolt
6 (*)	\	\	EK-R Rotor (Coupling ?) (1)
9 (*)	\	\	Housing + Stator
17	106508	30010210	EMC filter
18	107132	306500512208	Slip ring (51x22x08)
19	106075	266024001	Slip ring cover (diam. 51)
20	107816	40660105087	Brush-holder + brushes
<i>(1) 3 + 4 + 18 + 19 Items are included</i>			
<i>(*) When ordering spare parts, please indicate the alternator code-number and machine serial number and characteristics (they are available on the nameplate)</i>			

#	PART #	OLD #	DESCRIPTION
22	106061	266022004	IP23 end cover
23	106223	266064008	Tap for IP23 end cover
28	106107	266024007	Low black top cover
29	106222	266064007	Tap for EK end cover
30	106104	266024005	High black top cover
31	106383	300005	KIT from IMB35 J609B to IMB34(B3/B14)
32 (*)	106159	266061004	Blind EK end cover
	\	7022-	EK single-phase panel
33 (*)	105760	215009046	Aluminium blind panel
	\	70120-	ET single-phase panel
35	105103	165098078	Plate EK-R
36	106666	3008030	AVR electronic board
50	105533	176006030	Stay bolt M8x30
51	107065	30600106	6 pins M6 terminal board
52	106881	30430103	Fuse 5x20 3,15AF