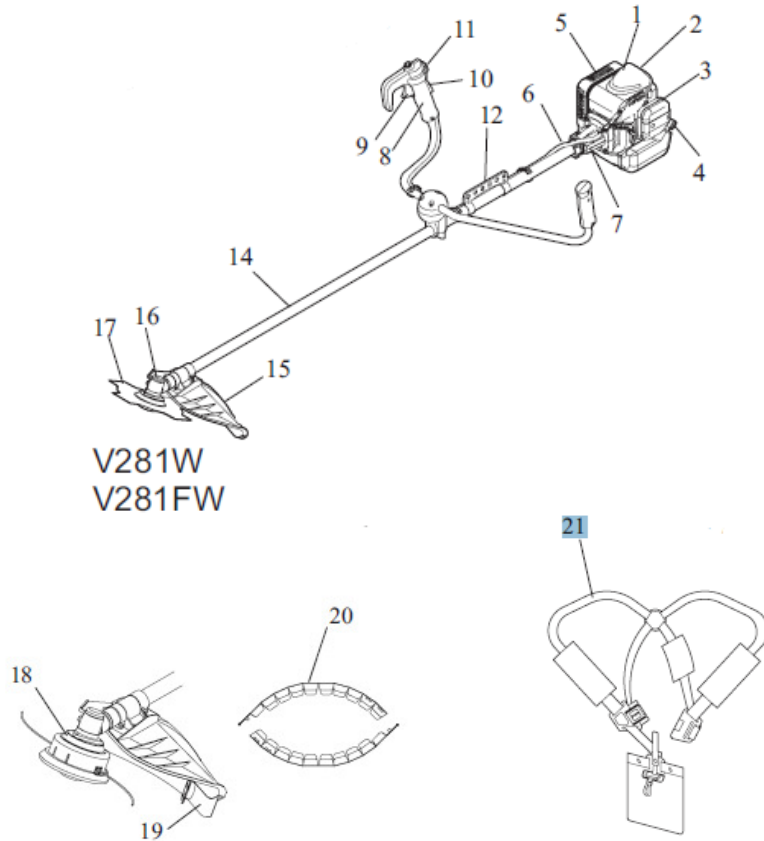


**CREATIVE EQUIPMENT CC**

18 Main Road, Fishers Hill, Germiston, 1401
 Tel: 011 828 5085 Fax: 011-828-5085
 crequip@global.co.za www.creativelp.co.za

**ILLUSTRATED PARTS LIST**

MODEL MK48 ENGINE SIZE 48cm³
 PRODUCT Brushcutter



#	DESCRIPTION	QTY
1	ENGINE	1
2	SPARK PLUG	1
3	AIR CLEANER COVER	1
4	FUEL TANK CAP	1
5	MUFFLER	1
6	THROTTLE LINKAGE	1
7	CLUTCH CASE	1
8	CONTROL HANDLE	1
9	THROTTLE TRIGGER	1
10	THROTTLE TRIGGER LOCKOUT	1
11	STOP SWITCH	1
12	SUSPENSION POINT	1
13	LOOP HANDLE	1
14	SHAFT TUBE	1
15	CUTTING ATTACHMENT GUARD	1
16	ANGLE TRANSMISSION	1
17	BLADE	1
18	NYLON TRIMMER	1
19	SKIRT	1
20	BLADE COVER	1
21	HARNESS	1



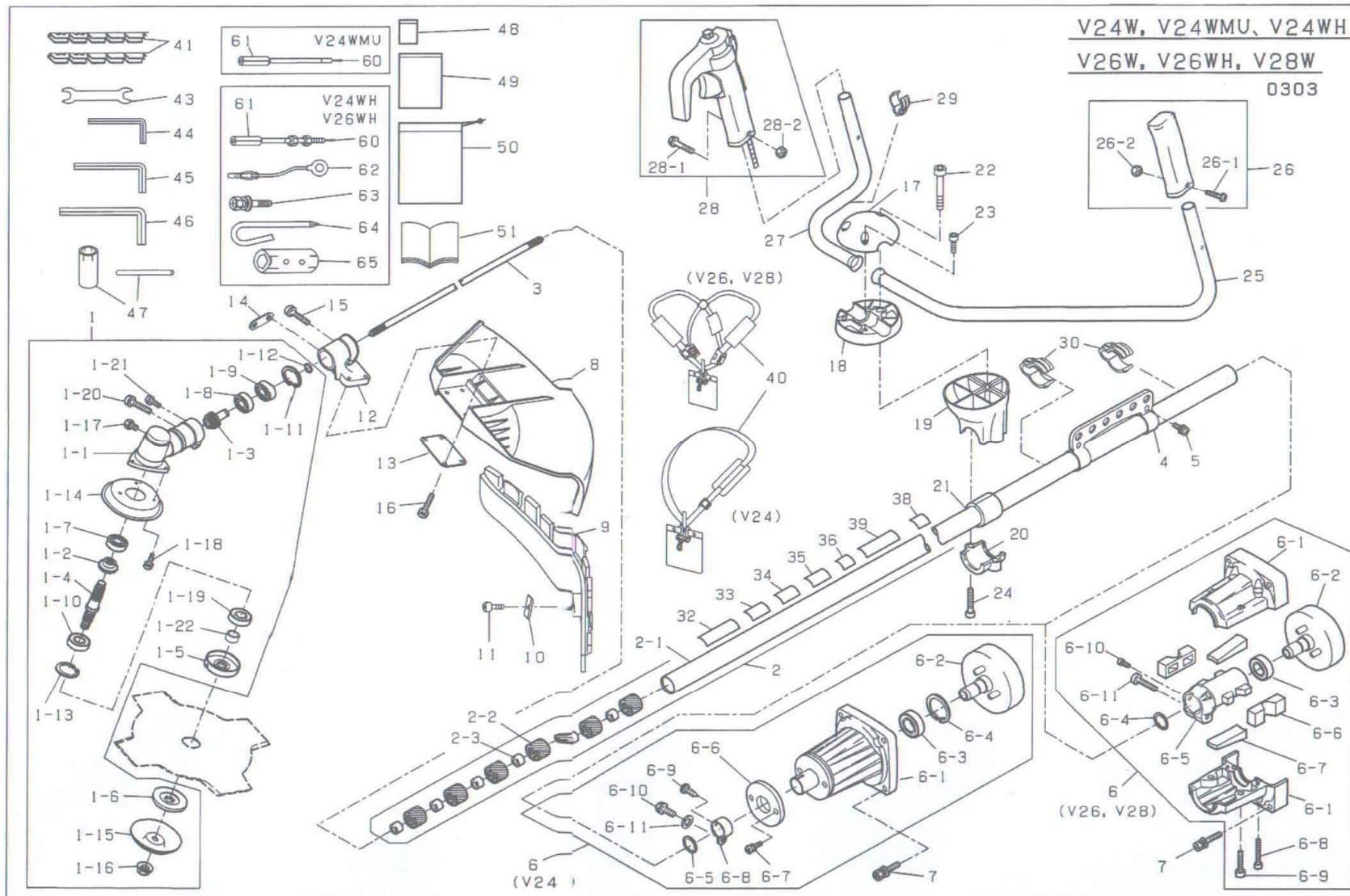
CREATIVE EQUIPMENT CC

18 Main Road, Fishers Hill, Germiston, 1401
Tel: 011 828 5085 Fax: 011-828-5085
crequip@global.co.za www.creativelp.co.za



ILLUSTRATED PARTS LIST

MODEL MK48 ENGINE SIZE 48cm³
PRODUCT Brushcutter



**CREATIVE EQUIPMENT CC**

18 Main Road, Fishers Hill, Germiston, 1401
 Tel: 011 828 5085 Fax: 011-828-5085
 crequip@global.co.za www.creativelp.co.za

**ILLUSTRATED PARTS LIST**

MODEL MK48 ENGINE SIZE 48cm³
 PRODUCT Brushcutter

1	801675726	GEAR CASE ASSY
1-1	801676377	GEAR CASE
1-2	801676378	BEVEL GEAR
1-3	801676379	PINION
1-4	801676380	GEAR SHAFT
1-5	801676381	HOLDER (A)
1-6	801676382	HOLDER (B)
1-7	800045130	PINION BEARING (A) #6001
1-8	800045130	PINION BEARING (A) #6001
1-9	800045510	BEARING (B) #6001Z
1-10	801676383	BEARING
1-11	800083170	STOP RING (F) #28
1-12	800082030	STOP RING (C) C-S #12
1-13	801668111	STOP RING
1-14	801676385	GEAR CASE COVER
1-15	801676373	NUT COVER
1-16	801676374	NUT
1-17	800010505	BOLT
1-18	801676360	SCREW 4x8
1-19	801676386	OIL SEAL
1-20	801676376	CAP BOLT
1-21	801676363	CAP BOLT
1-22	801676387	COLLAR
2	801675727	DRIVE SHAFT HOUSING ASSY
2-1	801675728	DRIVE SHAFT HOUSING
2-2	802041200	METAL CUSHION

2-3	800200029	OIL METAL
3	801666942	DRIVE SHAFT
4	801675729	HANGER STRAP STEM
5	800200001	SCREW
6	800200079	CLUTCH HOUSING ASSY
6-1	801667108	CLUTCH HOUSING
6-2	801688365	802031000 CLUTCH DRUM
6-3	800200004	BEARING
6-4	800200006	STOP RING
6-5	801666949	CLUTCH HOUSING CORE
6-6	801652132	HOUSING DAMPER
6-7	801652258	HOUSING DAMPER
6-8	800200032	CAP BOLT
6-9	800200033	CAP BOLT
6-10	800200034	SCREW
6-11	800200035	BOLT
7	800200035	BOLT
8	800201970	SAFETY GUARD
9	800201974	SAFETY GUARD ASSY
9-1	800201971	SAFETY GUARD
9-2	800201973	SCREW
9-3	800200553	NUT
10	800201972	CUTTER
11	801675700	SCREW
12	801675730	SAFETY GUARD HOLDER

13	801675702	SAFETY GUARD HOLDER
14	801675703	CONNECTOR
15	800200012	CAP BOLT
16	800200013	CAP BOLT
17	801675712	HANDLE HOLDER
18	801675713	HANDLE HOLDER
19	801675714	HANDLE HOLDER
20	801675715	HANDLE HOLDER
21	800200069	DUMPER
22	800200037	CAP BOLT
23	800200038	CAP BOLT
24	800200039	CAP BOLT
25	801675716	HANDLE
26	801655825	HANDLE GRIP ASSY
26-1	801655775	SCREW (M5 X 30)
26-2	800030080	NUT (M5)
27	801675717	HANDLE
28	801675718	THROTTLE LEVER ASSY
28-1	801655775	SCREW (M5 X 30)
28-2	800030060	NUT (M5)
29	801675722	WIRE GUIDE
30	801675731	WIRE GUIDE
32	800200015	LABEL
33	800200016	LABEL
34	800200017	LABEL

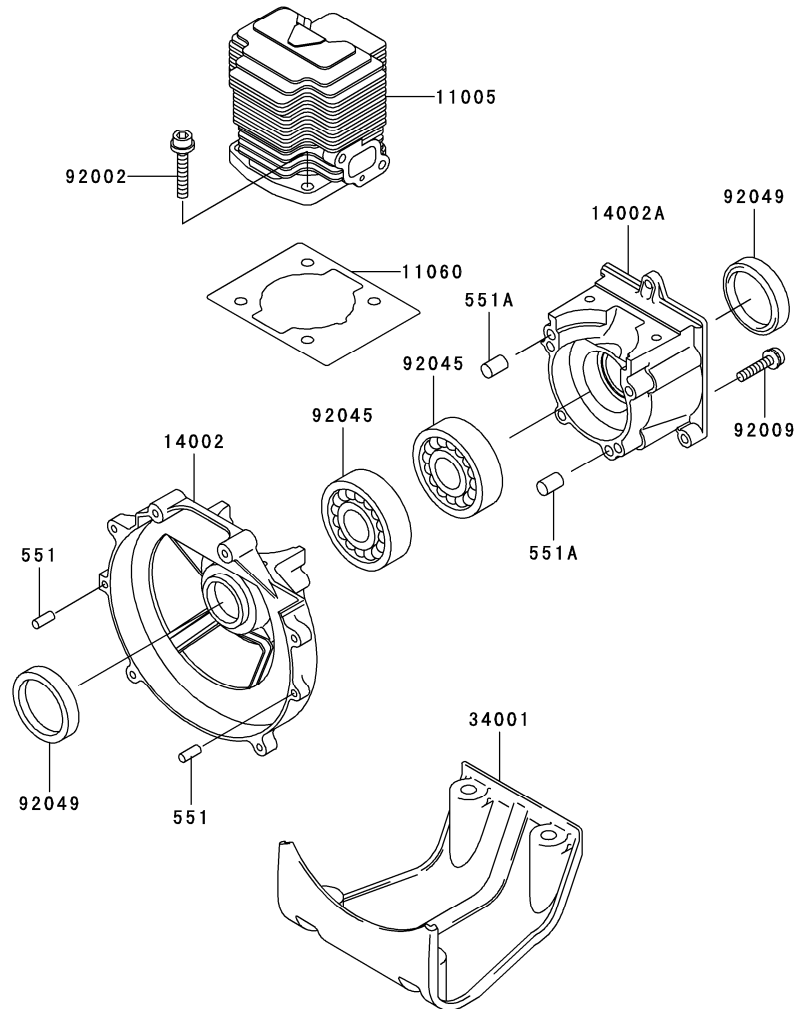
**CREATIVE EQUIPMENT CC**

18 Main Road, Fishers Hill, Germiston, 1401
 Tel: 011 828 5085 Fax: 011-828-5085
 crequip@global.co.za www.creativelp.co.za

**ILLUSTRATED PARTS LIST**

MODEL MK48 ENGINE SIZE 48cm³
 PRODUCT Brushcutter

E0110-A060A



ENGINE: CYLINDER / CRANKCASE			
#	PART #	DESCRIPTION	QTY
11005	11005-2123	CYLINDER-ENGINE	1
11060	11060-2296	GASKET, CYLINDER	1
14002	14002-2316	CRANKCASE	1
14002A	14002-2317	CRANKCASE	1
34001	34001-2082	STAND	1

92002	92002-2150	BOLT	4
92009	92009-2115	SCREW	4
92045	92045-2005	BEARING-BALL, 6202C3	2
92049	92049-2206	SEAL-OIL	2
551	551A0410	PIN-DOWEL	2

551A	551A0610	PIN-DOWEL	2
------	----------	-----------	---

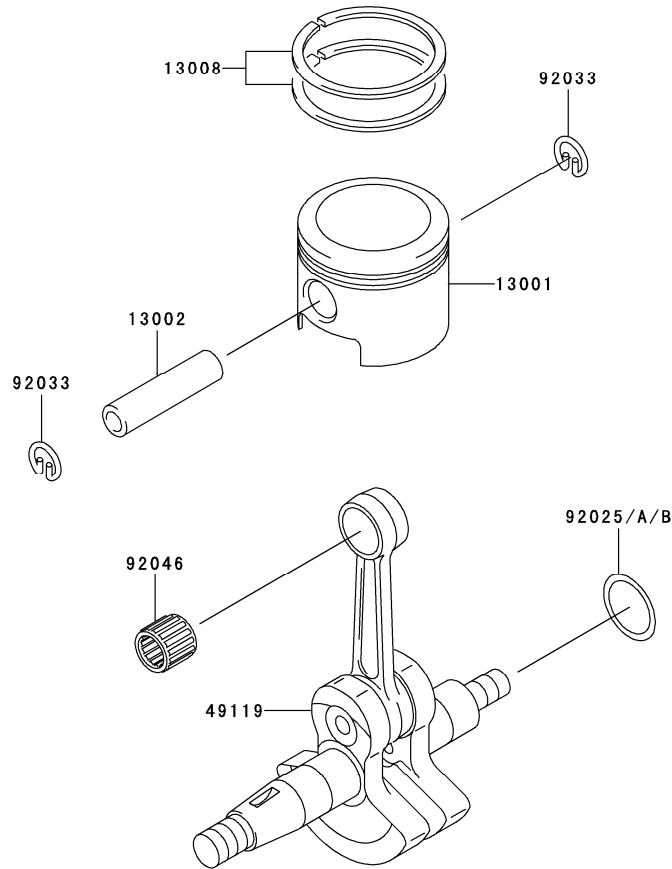
**CREATIVE EQUIPMENT CC**

18 Main Road, Fishers Hill, Germiston, 1401
 Tel: 011 828 5085 Fax: 011-828-5085
 crequip@global.co.za www.creativelp.co.za

**ILLUSTRATED PARTS LIST**

MODEL MK48 ENGINE SIZE 48cm³
 PRODUCT Brushcutter

E0120-A054A

**ENGINE: PISTON / CRANKSHAFT**

#	PART #	DESCRIPTION	QTY
13001	13001-2141	PISTON-ENGINE	1
13002	13002-2067	PIN-PISTON	1
13008	13008-6044	RING-SET-PISTON	1
49119	49119-2173	CRANKSHAFT-ASSY	1
92025	92025-2135	SHIM, T=0.20	AR

92025A	92025-2136	SHIM, T=0.40	AR
92025B	92025-2137	SHIM, T=0.60	AR
92033	92033-2058	RING-SNAP	2
92046	13033-2005	BEARING-NEEDLE	1



CREATIVE EQUIPMENT CC

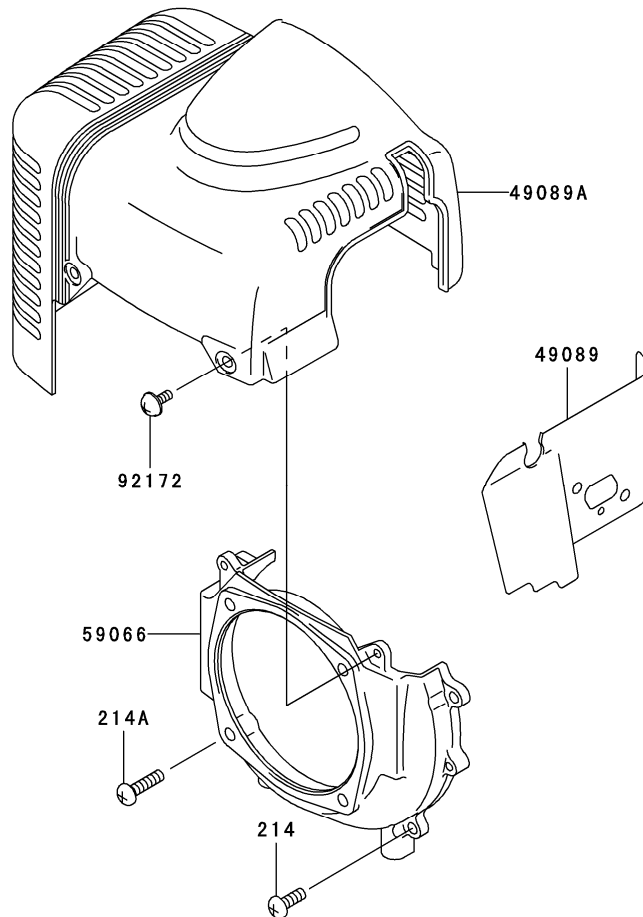
18 Main Road, Fishers Hill, Germiston, 1401
Tel: 011 828 5085 Fax: 011-828-5085
crequip@global.co.za www.creativelp.co.za



ILLUSTRATED PARTS LIST

MODEL MK48 ENGINE SIZE 48cm³
PRODUCT Brushcutter

E0150-A334E



ENGINE: COOLING-EQUIPMENT			
#	PART #	DESCRIPTION	QTY
49089	49089-2386	SHROUD-ENGINE	1
49089A	49089-2553	SHROUD-ENGINE	1
59066	59066-2747	HOUSING-FAN	1
92172	92172-2060	SCREW, 4X10	2
214	214B0514	SCREW-PAN+-	3
214A	214B0520	SCREW-PAN+-	1



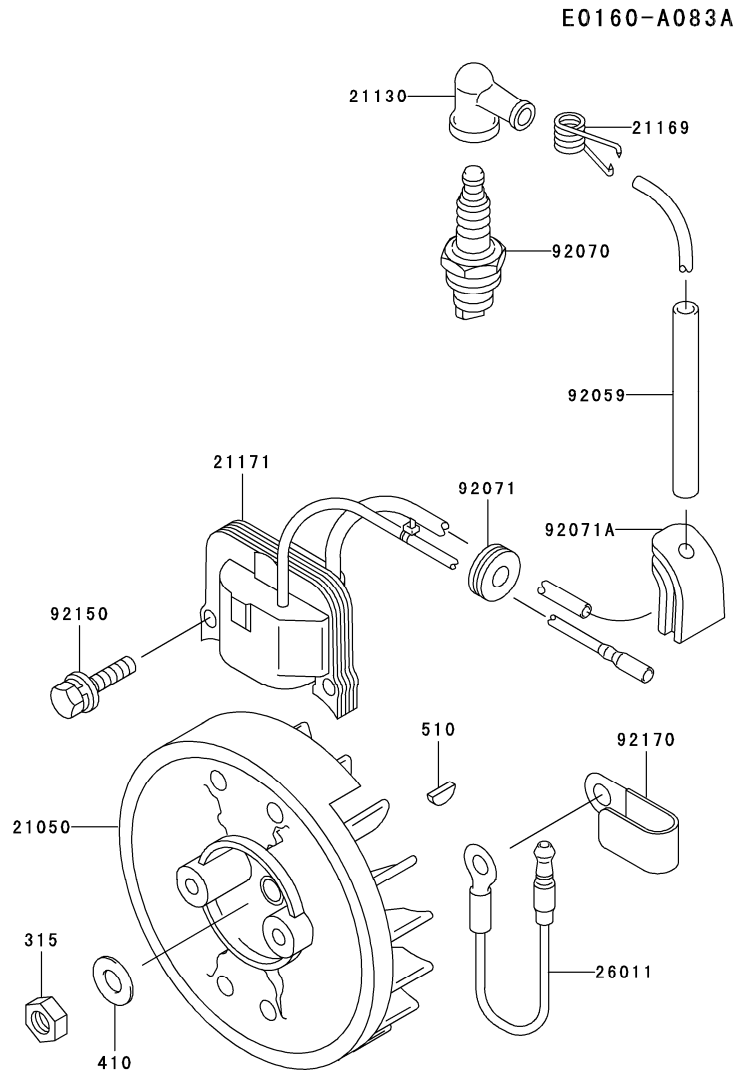
CREATIVE EQUIPMENT CC

18 Main Road, Fishers Hill, Germiston, 1401
 Tel: 011 828 5085 Fax: 011-828-5085
 crequip@global.co.za www.creativelp.co.za



ILLUSTRATED PARTS LIST

MODEL MK48 ENGINE SIZE 48cm³
 PRODUCT Brushcutter



ENGINE: ELECTRIC-EQUIPMENT			
#	PART #	DESCRIPTION	QTY
21050	21050-2240	FLYWHEEL	1
21130	21130-2056	CAP-SPARK PLUG	1
21169	21169-2051	TERMINAL	1
21171	21171-2195	COIL-ASSY-IGNITION	1
26011	26011-2113	WIRE-LEAD	1

92059	92059-2103	TUBE, 6X7.4X108	1
92070	92070-2060	PLUG-SPARK, BMR6A(NGK), SOLID	1
92071	92071-2097	GROMMET	1
92071A	92071-2143	GROMMET, IGNITION COIL	1
92150	92150-2182	BOLT, 5X18	2

92170	92170-2041	CLAMP	1
315	315B1000	NUT-HEX-FINE	1
410	410B1000	W-PLAIN-S	1
510	510A3100	KEY-WOODRUFF	1



CREATIVE EQUIPMENT CC

18 Main Road, Fishers Hill, Germiston, 1401
Tel: 011 828 5085 Fax: 011-828-5085
crequip@global.co.za www.creativelp.co.za

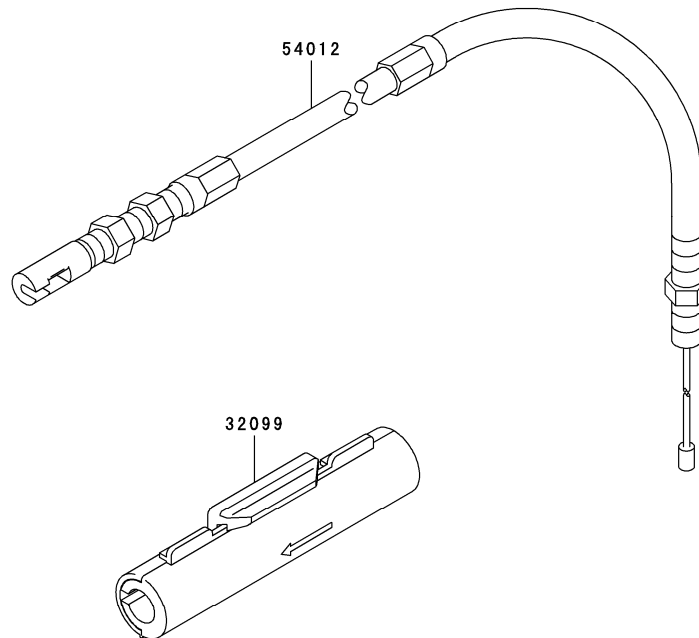


ILLUSTRATED PARTS LIST

MODEL MK48 ENGINE SIZE 48cm³
PRODUCT Brushcutter

E0170-A228A

ENGINE: CONTROL-EQUIPMENT			
#	PART #	DESCRIPTION	QTY
32099	32099-2326	CASE	1
54012	54012-2342	CABLE-THROTTLE	1





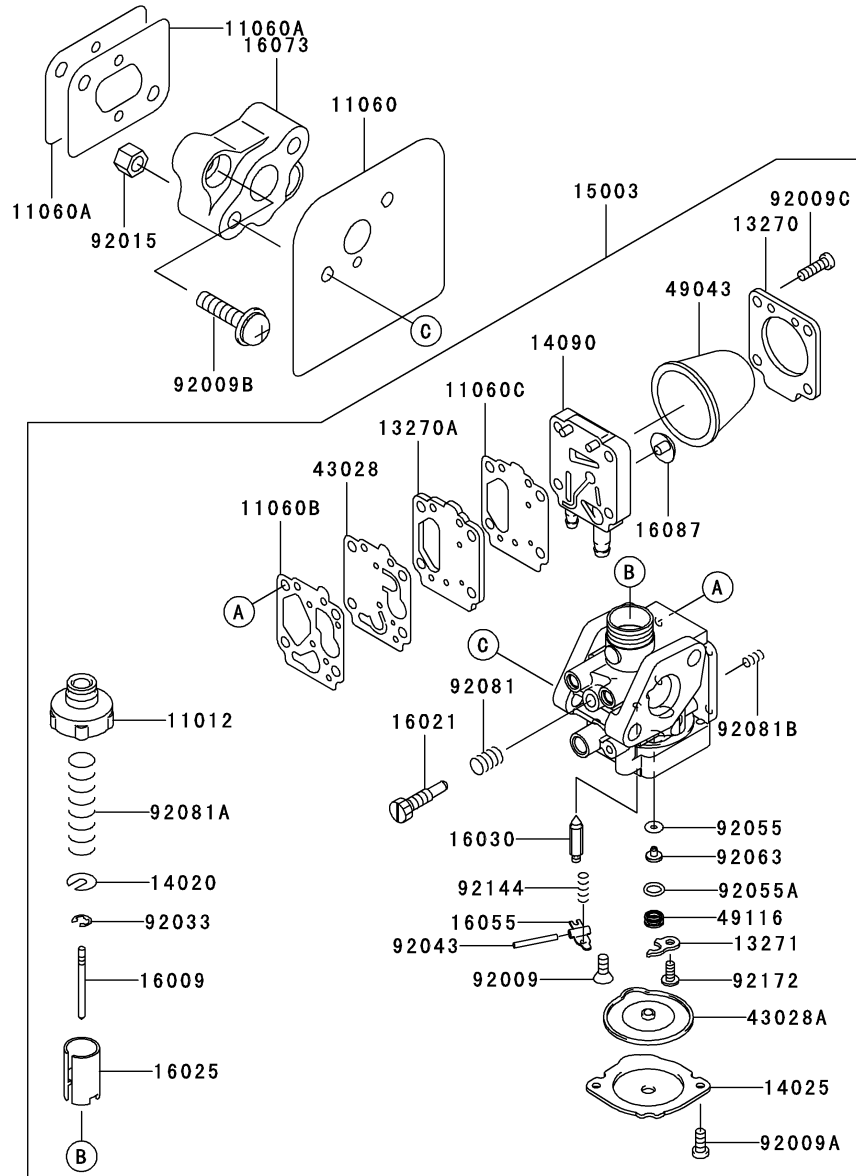
CREATIVE EQUIPMENT CC

18 Main Road, Fishers Hill, Germiston, 1401
 Tel: 011 828 5085 Fax: 011-828-5085
 crequip@global.co.za www.creativelp.co.za



ILLUSTRATED PARTS LIST

MODEL MK48 ENGINE SIZE 48cm³
 PRODUCT Brushcutter



ENGINE: CARBURETTOR

#	PART #	DESCRIPTION	QTY
11012	11012-2185	CAP, BODY	1
11060	11060-2298	GASKET, CARBURETTOR	1
11060A	11060-2299	GASKET, INSULATOR	2
11060B	11060-2305	GASKET	1
11060C	11060-2306	GASKET	1
13270	13270-2014	PLATE	1
13270A	13270-2015	PLATE	1
13271	13271-2247	PLATE	1
14020	14020-2009	RETAINER, VALVE	1
14025	14025-2027	COVER	1
14090	14090-2060	COVER	1
15003	15003-2939	CARBURETTOR-ASSY	1
16009	16009-2114	NEEDLE-JET, #14	1
16021	16021-2008	SCREW-THROTTLE STOP	1
16025	16025-2173	VALVE-THROTTLE	1
16030	16030-2087	VALVE-FLOAT	1
16055	13168-2118	ARM-FLOAT	1
16073	16073-2176	INSULATOR	1
16087	16087-2059	VALVE-CHECK	1
43028	43028-2082	DIAPHRAGM	1
43028A	43028-2093	DIAPHRAGM	1
49043	490043-2071	PUMP-PRIMING	1
49116	49116-2066	VALVE-ASSY	1

**CREATIVE EQUIPMENT CC**

18 Main Road, Fishers Hill, Germiston, 1401
 Tel: 011 828 5085 Fax: 011-828-5085
 crequip@global.co.za www.creativelp.co.za

**ILLUSTRATED PARTS LIST**

MODEL MK48 ENGINE SIZE 48cm³
 PRODUCT Brushcutter

92009	92009-2053	SCREW	1
92009A	92009-2061	SCREW	2
ENGINE: CARBURETTOR continue			
#	PART #	DESCRIPTION	QTY
92009B	92009-2249	SCREW, 5X20	2
92009C	92009-2361	SCREW, 3X14	4
92015	92015-2097	NUT, M5	2
92033	92033-2070	RING-SNAP	1
92043	92043-2099	PIN	1
92055	92055-2206	RING-O	1
92055A	92055-2207	RING-O	1
92063	92063-2454	JET-MAIN, #55	1
92081	92081-2245	SPRING	1
92081A	92081-2246	SPRING, THROTTLE	1
92081B	921081-2340	SPRING	1
92144	92144-2009	SPRING	1
92172	92172-2086	SCREW	1

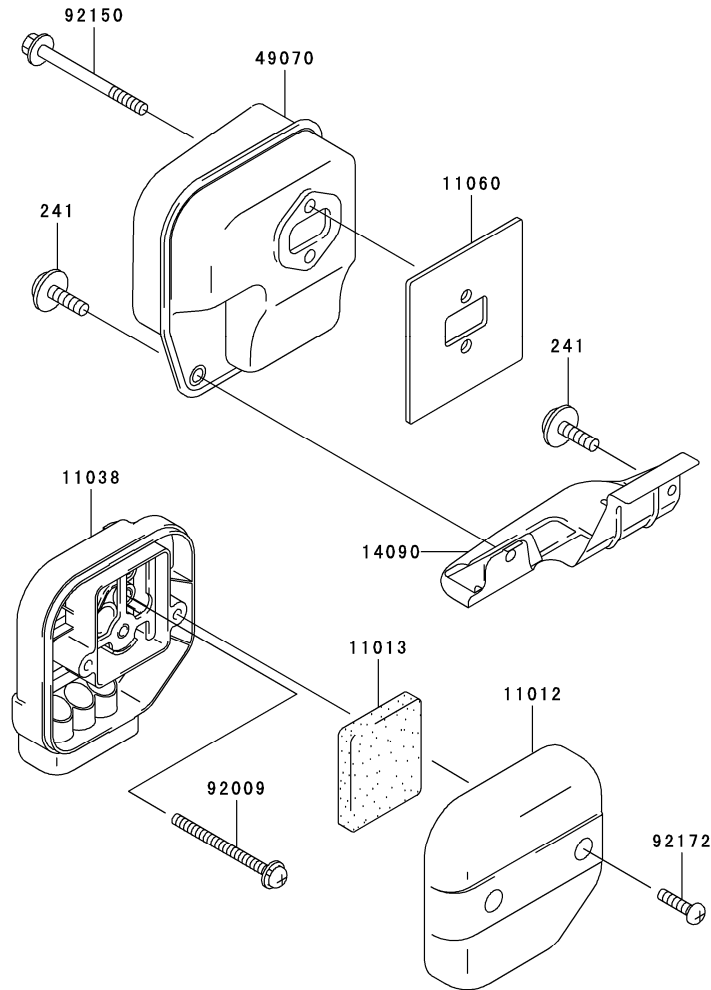
**CREATIVE EQUIPMENT CC**

18 Main Road, Fishers Hill, Germiston, 1401
 Tel: 011 828 5085 Fax: 011-828-5085
 crequip@global.co.za www.creativelp.co.za

**ILLUSTRATED PARTS LIST**

MODEL MK48 ENGINE SIZE 48cm³
 PRODUCT Brushcutter

E0190-A766A

**ENGINE: AIR-FILTER / MUFFLER**

#	PART #	DESCRIPTION	QTY
11012	11012-2349	VAP, AIR FILTER	1
11013	11013-2081	ELEMENT-AIR FILTER	1
11038	11038-2055	CASE-ASSY-AIR FILTER	1
11060	11060-2297	GASKET, MUFFLER	1
14090	14090-2059	COVER, MUFFLER	1
49070	49070-2630	MUFFLER-COMP	1
92009	92009-2449	SCREW, 5X55	2
92150	92150-2180	BOLT, 6X65	2
92172	92172-2062	SCREW	2
241	241B0512	SCREW-PAN-WP+-	2



CREATIVE EQUIPMENT CC

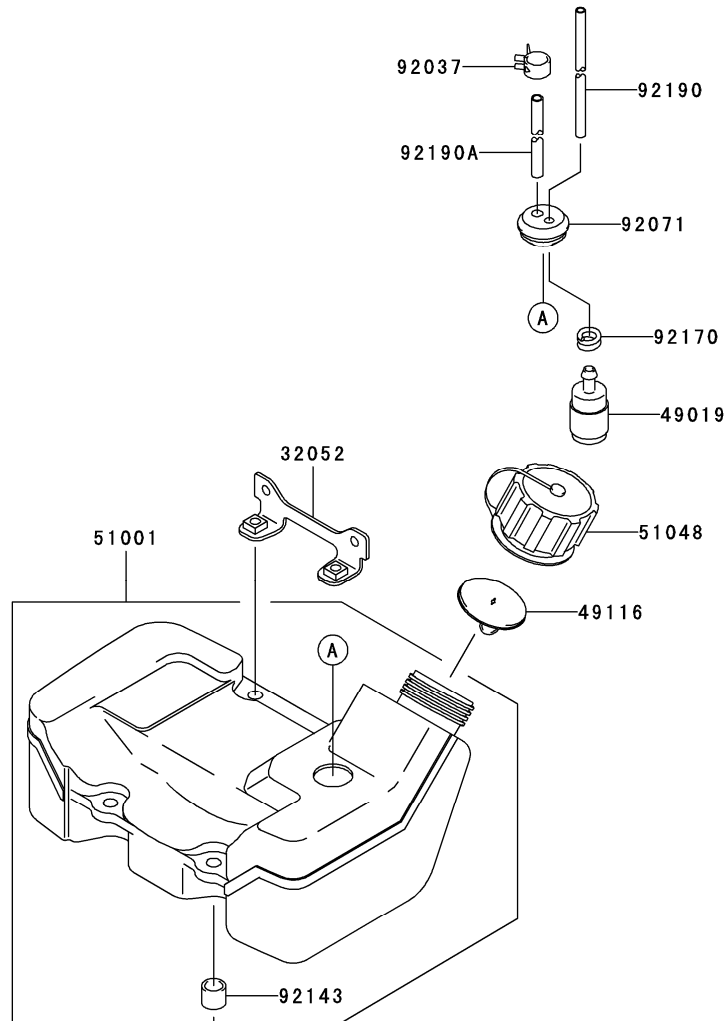
18 Main Road, Fishers Hill, Germiston, 1401
 Tel: 011 828 5085 Fax: 011-828-5085
 crequip@global.co.za www.creativelp.co.za



ILLUSTRATED PARTS LIST

MODEL MK48 ENGINE SIZE 48cm³
 PRODUCT Brushcutter

E0200-A146C



ENGINE: FUEL-TANK / FUEL-VALVE

#	PART #	DESCRIPTION	QTY
32052	32052-2215	BRACKET-TANK	1
49019	49019-2111	FILTER-FUEL	1
49116	49116-2064	VALVE-ASSY	1
51001	51001-2268	TANK-COMP-FUEL	1
51048	51048-2078	CAP-ASSY-TANK	1
92009	92009-2383	SCREW, 5X20	4
92037	92037-2139	CLAMP	1
92071	92071-2142	GROMMET, FUEL TANK	1
92143	92143-2162	COLLAR	4
92170	92170-2080	CLAMP, FUEL FILTER	1
92190	92190-2157	TUBE, 3X5X200	1
92190A	92190-2161	TUBE, 3X6X100	1



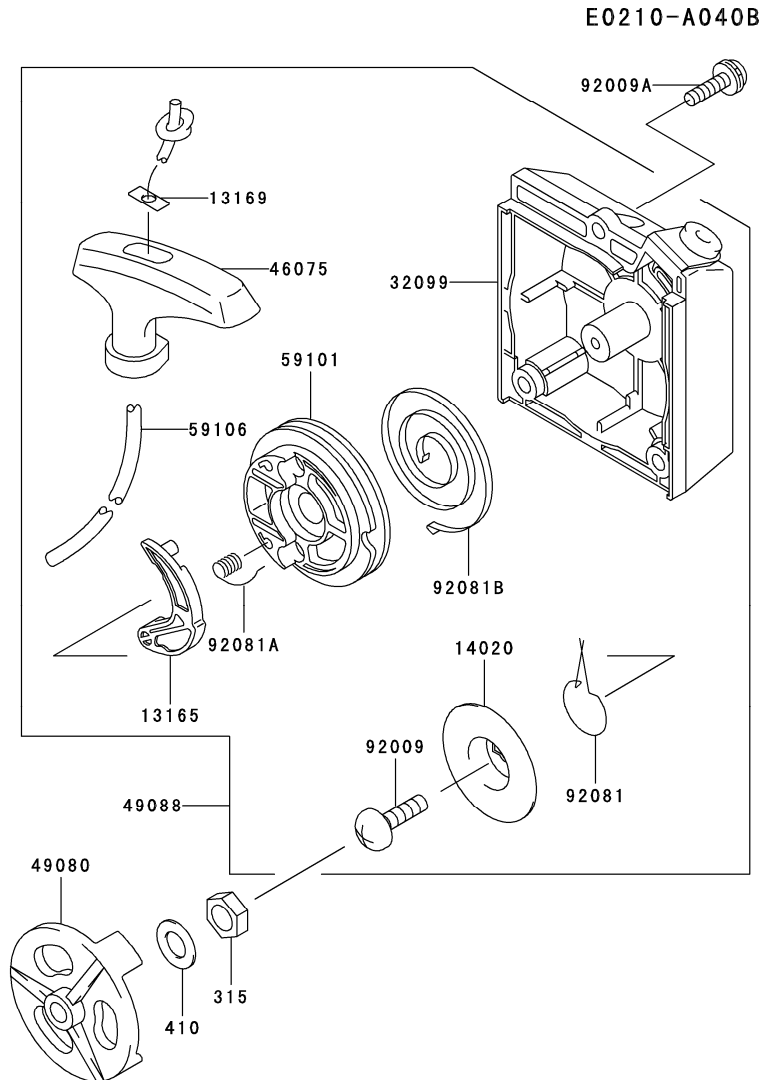
CREATIVE EQUIPMENT CC

18 Main Road, Fishers Hill, Germiston, 1401
 Tel: 011 828 5085 Fax: 011-828-5085
 crequip@global.co.za www.creativelp.co.za



ILLUSTRATED PARTS LIST

MODEL MK48 ENGINE SIZE 48cm³
 PRODUCT Brushcutter



ENGINE: STARTER			
#	PART #	DESCRIPTION	QTY
13165	13165-2058	PAWL, RECOIL STARTER	1
13169	13169-2386	PLATE, RECOIL STARTER	1
14020	14020-2057	RETAINER, RECOIL STARTER	1
32099	32099-2272	CASE, RECOIL STARTER	1
46075	46075-2067	GRIP, RECOIL STARTER	1
49080	49080-2173	PULLEY-STARTING	1
49088	49088-2442	STARTER-RECOIL	1
59101	59101-2067	REEL, RECOIL STARTER	1
59106	59106-2077	ROPE, 3.8X1200	1
92009	92009-2218	SCREW, 5X12	1
92009A	92009-2249	SCREW, 5X20	3
92081	92081-2274	SPRING	1
92081A	92081-2275	SPRING	1
92081B	92081-2318	SPRING	1
315	315B0800	NUT-HEX-FINE	1
410	410B0800	W-PLAN-S	1

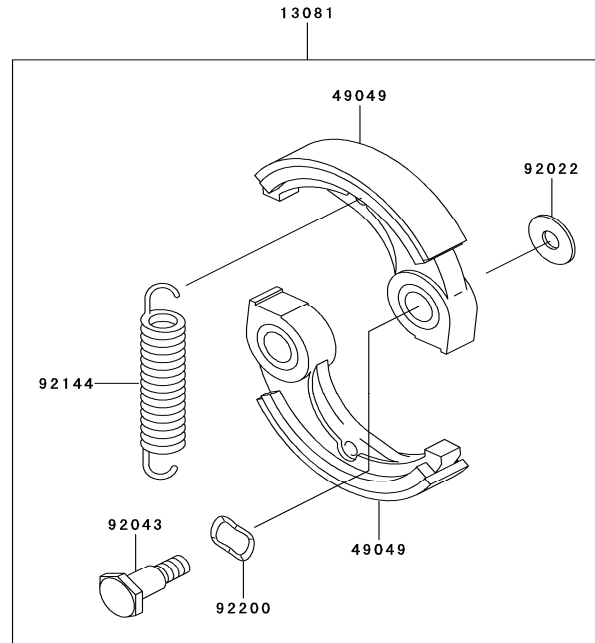
**CREATIVE EQUIPMENT CC**

18 Main Road, Fishers Hill, Germiston, 1401
 Tel: 011 828 5085 Fax: 011-828-5085
 crequip@global.co.za www.creativelp.co.za

**ILLUSTRATED PARTS LIST**

MODEL MK48 ENGINE SIZE 48cm³
 PRODUCT Brushcutter

E0220-A022A

**ENGINE: P.T.O EQUIPMENT**

#	PART #	DESCRIPTION	QTY
13081	13081-2221	CLUTCH-ASSY	1
49049	49049-2075	SHOE-CLUTCH	2
92022	92026-2125	WASHER	2
92043	92043-2210	PIN, CLUTCH	2
92144	92144-2390	SPRING	1
9220	9220-2064	WASHER, SPRING, 10.5X14.5X0.3	2