



# CREATIVE EQUIPMENT CC

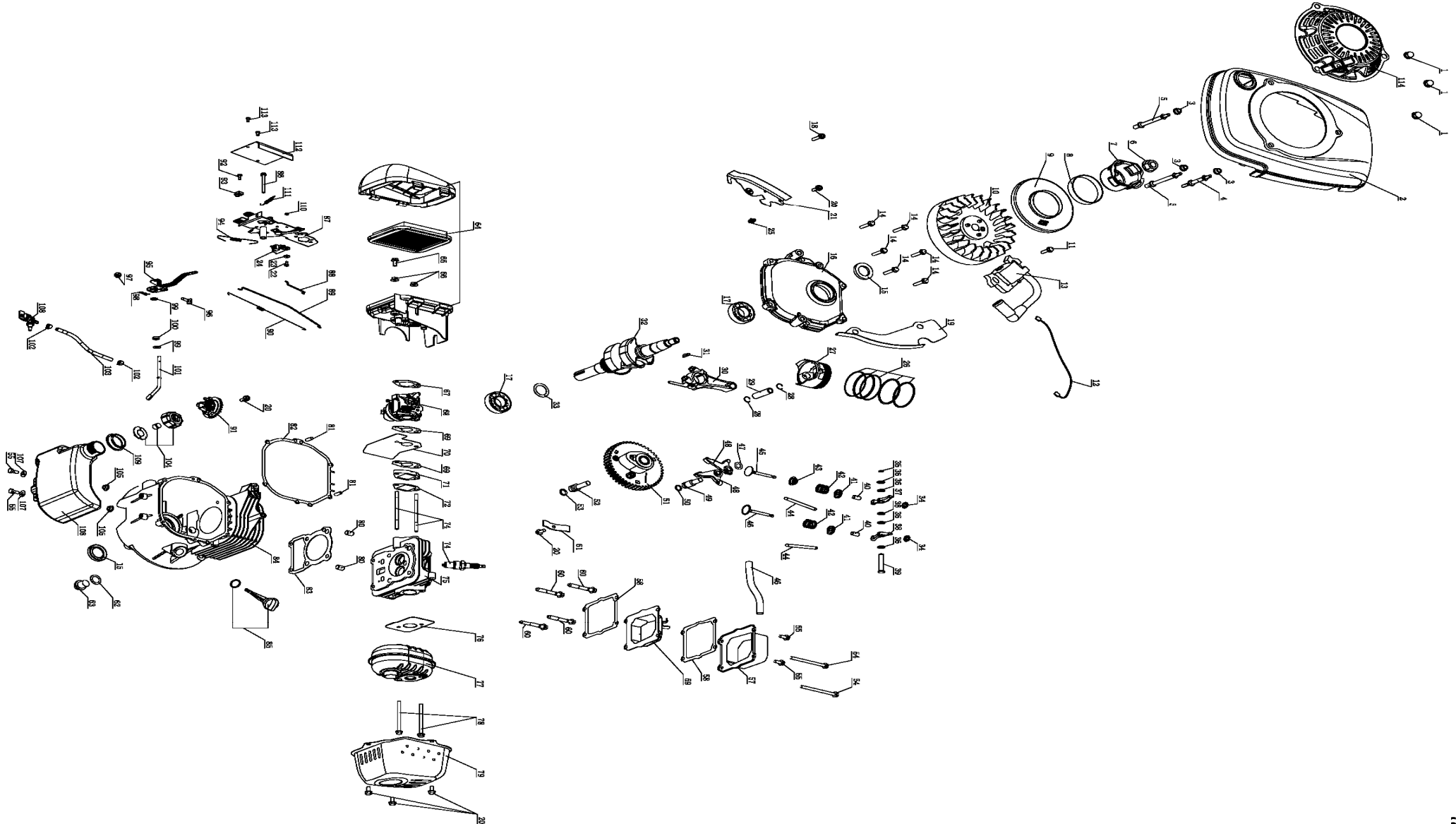
18 Main Road, Fishers Hill, Germiston, 1401  
Tel: 011 828 5085 Fax: 011-828-5085  
crequip@global.co.za www.creativelp.co.za



## ILLUSTRATED PARTS LIST

MODEL	TL3062P	OUTPUT	5,5hp
PRODUCT	Petrol Lawnmower		

### A. ENGINE ASSEMBLY



**CREATIVE EQUIPMENT CC**

18 Main Road, Fishers Hill, Germiston, 1401  
 Tel: 011 828 5085 Fax: 011-828-5085  
 crequip@global.co.za www.creativelp.co.za

**ILLUSTRATED PARTS LIST**

MODEL TL3062P OUTPUT 5,5hp  
 PRODUCT Petrol Lawnmower

#	PART #	DESCRIPTION	QTY
1	TL64381-9	Fixing Nut (short) (1P64-3.8.1-9)	3
2	TLJF1P64FJV-P.1	Engine Shield (JF-P.10.1-1)	1
3	TL6410-02	Bolt Hole Cover (1P64.10-02)	3
4	TL6410-03	Double Screw Bolt Short (1P64.10-03)	1
5	TL6410-04	Double Screw Bolt Long (1P64.10-04)	2
6	TLGB/T6177.2-2000	Nut M14 x 1.5	1
7	TL168QDJ.04-10	Start-up Ratchet Gear	1
8	TL1P64.09-04	Network Protecting Wire Net	1
9	TL1P64.09-03	Start-up Protecting Wire Net	1
10	TL1P64.09.02	Flywheel Assembly	1
11	TL1P64.09-01	Screw	1
12	TL1P64F-B.09.03	Burning-out Wire Assembly (JF)	1
13	TL1P64.09.01	Ignition Coil Assembly	1
14	TLGB/T16674.1-2004	Bolt M6 x 30	6
15	TL168QDJ.01.01	Oil Seal Assembly	2
16	TL1P64.03-05	Case Cover	1
17	TL276-1994	Bearing 6025/P53	2
18	TLGB/T16674.1-2004	Bolt M6 x 20	1
19	TL1P64F-B.03-12	Baffle (JF)	1
20	TLGB/T16674.1-2004	Bolt M6 x 12	6
21	TL1P64F-B.03-11	Baffle (JF)	1
22	TLGB/T818-2000	Screw M4 x 12	1
23	TL1P64F.120302	Gasket 4 (.12.03-02)	1
24	TLJF1P64F-B.13.	Switch Assembly (-B.13.04)	1
25	TL1P64.12.01-03	Deduct Button	1
26	TL1P64.05.02	Piston Rings	1

#	PART #	DESCRIPTION	QTY
27	TL1P64.05-01	Piston	1
28	TL1P64.05-02	Clip, Piston Pin	2
29	TL1P64.05-06	Piston Pin	1
30	TL1P64.05.01	Connecting Rod Assembly	1
31	TL182QDP.04-03	Semicircular Key	1
32	TL1P64.04.01	Crankshaft Assembly	1
33	TL1P64.04-04	Gasket	1
34	TL1P64.02-08	Valve Lash Adjusting Nut	2
35	TLGB/T895.2-1986	Wire, Block 8	1
36	TL1P64.02-14	Washer	5
37	TL1P64.02-05	Rocker Inlet Valve	1
38	TL1P64.02-06	Exhaust Valve Rocker	1
39	TL1P64.02-09	Rocker Shaft	1
40	TL1P64.02-07	Valve Lash Adjusting Screw	2
41	TL1P64.02-04	Valve Spring Seat	2
42	TL1P64.02-03	Valve Spring	2
43	TL1P64.02.01	Inlet Valve Oil Seal Assembly	1
44	TL1P64.02-03	Valve Tappet Assembly	2
45	TL1P64.02-01	Inlet Valve	1
46	TL1P64.02-02	Exhaust Valve	1
47	TL1P64.02-16	Wave Washer	1
48	TL1P64.02-11	Idle Rod	2
49	TL1P64.02-12	Idle Rod Shaft	1
50	TL157.1.2.1-6	O-ring 10.6 x Φ1.8	1
51	TL1P64.02.02	Cam Gear Assembly	1
52	TL1P64.02-13	Camshaft Set	1

**CREATIVE EQUIPMENT CC**

18 Main Road, Fishers Hill, Germiston, 1401  
 Tel: 011 828 5085 Fax: 011-828-5085  
 crequip@global.co.za www.creativelp.co.za

**ILLUSTRATED PARTS LIST**

MODEL TL3062P OUTPUT 5,5hp  
 PRODUCT Petrol Lawnmower

#	PART #	DESCRIPTION	QTY
53	TL1P64.02-15	O-ring 11.2 x Ø2.5	1
54	TL1P64.01-05	Bolt M6 x 80	2
55	TLGB/T5789-1986	Bolt M6 x 14	5
56	TL1P64.01-08	Breather Pipe	1
57	TL1P64.01-07	Cylinder Head Casing	1
58	TL1P64.01-03	Tapet Cover Gasket	2
59	TL1P64.01.03	Spacer Plate Assembly	1
60	TLGB/T16674.1-2004	Bolt M8 x 55	4
61	TL1P64.03-06	Blind	1
62	TL1P65QGCI.3-23	Washer 16 x 24 x 1.4	1
63	TL1P65QGCI.318C	Bleeding Screw M16 x 1 (.3-18C)	1
64	TLJF1P64F.07	Air Filter Assembly	1
65	TLGB/T16674.1-2004	Bolt M6 x 16	3
66	TLGB/T6177.1-2000	Nut M6	2
67	TL1P64.08-05	Outer Carb Gasket 3	1
68	TL1P64.08.01	Carburettor Assembly	1
69	TL1P64.08-03	Inner Carb Gasket 2	2
70	TL1P64.08-04	Blind	1
71	TL1P64.08-02	Carburettor Joint	1
72	TL1P64.08-01	Paper Gasket 1	1
73	TL1P64.01-01	Double Screw Bolt	2
74	TL182QDP.02.04	Spark Plug	1
75	TL1P64.01.01	Cover, Cylinder	1
76	TL1P64.06-05	Muffler Gasket	1
77	TL1P64.06	Muffler Assembly	1
78	TL1P64.01-05	Muffler Clamping Screw	2

#	PART #	DESCRIPTION	QTY
79	TL1P64.06-01	Muffler Cleading	1
80	TL157FM.4-6	Aligning Pin	2
81	TL1P64.03-10	Aligning Pin	2
82	TL1P64.03-04	Crankcase Gasket	1
83	TL1P64.01.02	Cylinder Head Gasket	1
84	TL1P64.03.01	Case Assembly	1
85	TL1P64.03.03	Oil Drip Rod Assembly	1
86	TLGB/T5789-1996	Bolt M6 x 60	1
87	TLJF1P64F-B.131	Fixing Controller Assembly (-B.13.01)	1
88	TL1P64.13-01	Steel Wire Nutted Rod 1	1
89	TLJF1P64F-B.13-	Steel Wire Nutted Rod 2 (-B.13-03)	1
90	TLJF1P64F-B.13	Tension Spring 2 (-B.13-04)	1
91	TL1P64.13.03	Governor Gear	1
92	TLGB/T818-2000	Screw M5 x 16	1
93	TL1P64FJV-3C73	Cable Holder (-3C.7-3)	1
94	TLJF1P64FB.13-0	Tension Spring 1 (-B.13-02)	1
95	TL1P64.13.02-01	Nutted Rod	1
96	TL182QDP.06-03	Coach Bolt	1
97	TLGB/T6177.1-2000	Nut M5	1
98	TL182QDP.06-02	Clip, Tube	1
99	TL1P64.13.02-05	Gasket	2
100	TL166QDK.01.04	Oil Seal	1
101	TL1P64.13.02-06	Shifting Fork	1
102	TL1P64FJV-3.15-5	Anchor Ear	2
103	TL1P64F-B.14-01	Lead Pipe (JF)	1
104	TL1P64FJV-3152	Fuel Tank Cap (-3.15.2)	1

**CREATIVE EQUIPMENT CC**

18 Main Road, Fishers Hill, Germiston, 1401  
Tel: 011 828 5085 Fax: 011-828-5085  
crequip@global.co.za www.creativelp.co.za

**ILLUSTRATED PARTS LIST**

MODEL TL3062P OUTPUT 5,5hp  
PRODUCT Petrol Lawnmower

#	PART #	DESCRIPTION	QTY
105	TL1P64.14.01-02	Bolt hole Cover	2
106	TL1P64F-B.14.01	Fuel Tank (JF)	1
107	TL1P64.14.01-03	Gasket	2
108	TL1P64FJV-3C-15	Fuel Switch Assembly (-3C.15.2)	1
109	TL1P64F.14-01	Locating Sleeve	1

#	PART #	DESCRIPTION	QTY
110	GB/T6170-1986	Fuel Filter 4	1
111	TL1P64F-B.13-05	Bolthole Cover (JF)	1
112	TL1P64F-B.13-06	Washer (JF)	1
113	TLGB/T823-1988	Screw M5 x 8	3
114	TLZJIP64FJV.101	Stator Assembly (ZJ1P.10.1.1)	1



# CREATIVE EQUIPMENT CC

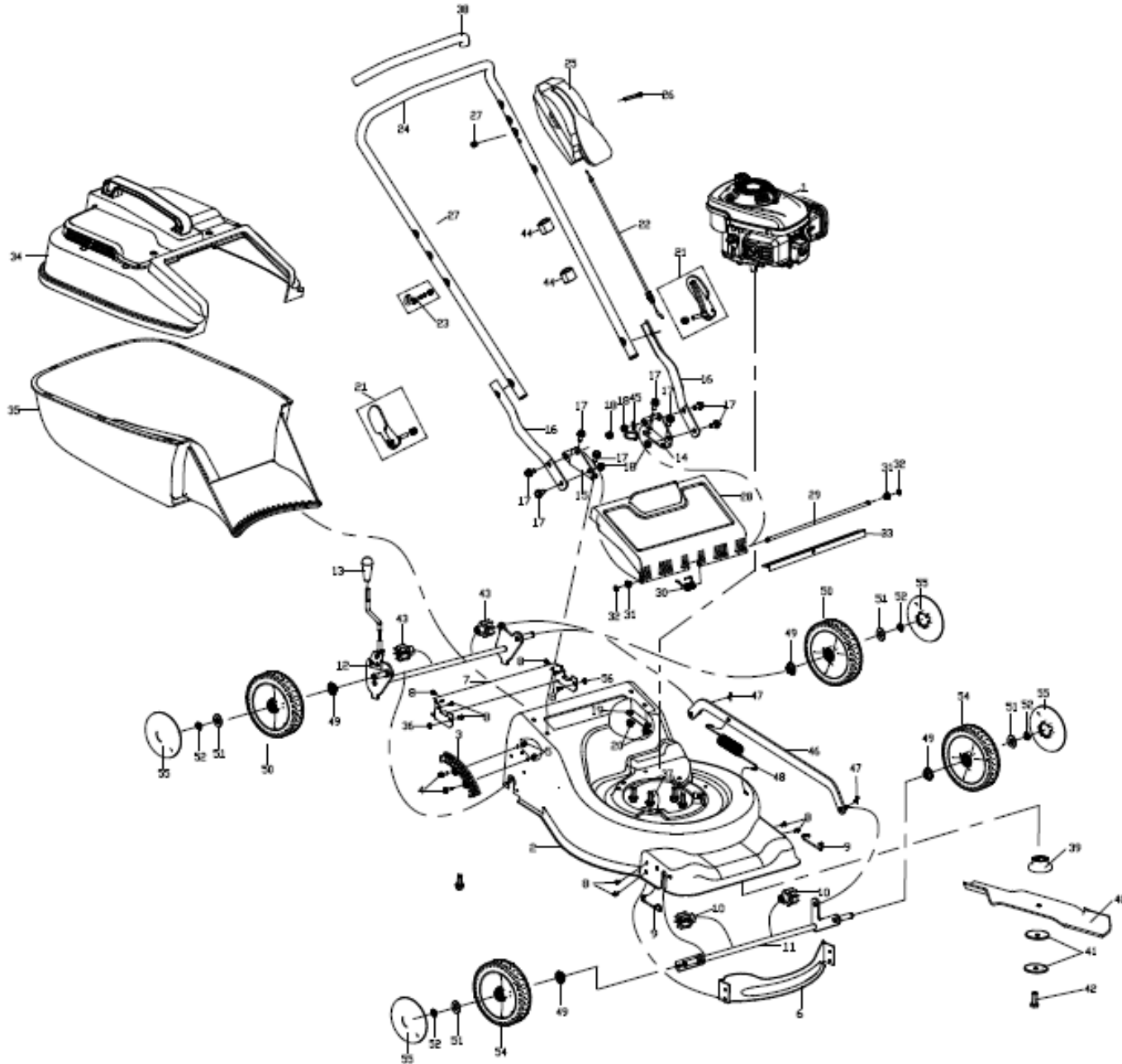
18 Main Road, Fishers Hill, Germiston, 1401  
Tel: 011 828 5085 Fax: 011-828-5085  
crequip@global.co.za www.creativelp.co.za



## ILLUSTRATED PARTS LIST

MODEL	TL3062P	OUTPUT	5,5hp
PRODUCT	Petrol Lawnmower		

### B. CHASSIS



**CREATIVE EQUIPMENT CC**

18 Main Road, Fishers Hill, Germiston, 1401  
 Tel: 011 828 5085 Fax: 011-828-5085  
 crequip@global.co.za www.creativelp.co.za

**ILLUSTRATED PARTS LIST**

MODEL TL3062P OUTPUT 5,5hp  
 PRODUCT Petrol Lawnmower

#	PART #	DESCRIPTION	QTY
1	TLJF1P64FJV-DB	5,5HP Engine	1
2	TL1P64FJV-31751	Deck (-3.17.5-1)	1
3	TLXSSL48A020205	Height Adjustment Bracket (XSSL-02.02.05-04)	1
4	GB/T 1667-1996	Bolt M5x16	2
5	GB/T 6182-2000	Nut M5	4
6	TL1P64FJV-31752	Front Shield (-3.17.5-2)	2
7	TL1P64FJV-31753	Rear Brace (-3.17.5-3)	4
8	GB/T 12618-1990	Rivet 5x11	8
9	TL1P64FJV-3.17	Axle Securing Clip (-3.17.5-5)	2
10	TL48A-02.03-03	Front Plastic Bush (XSSL)	1
11	TL48A-02.03.02	Front Axle Assembly (XSSL)	1
12	TL1P64FJV-3182B	Rear Axle Assembly (-3.18.2B)	1
13	TL1P64FJV.3185	Knob (.3.18.5)	1
14	TL1P64FJV-317-5	Bracket Lower Handle (L)(-3.17-5)	1
15	TL1P64FJV-317-6	Bracket Lower Handle (R)(-3.17-6)	2
16	TL1P64FJV-317-3	Lower Handle (XSSL48A-03.02-04)	2
17	TL16674-1996	Bolt M8x16	10
18	TL6182-2000	Nut M8	1
19	TL1P64FJV-317-7	Handle Bracket Plate (-3.17-7)	1
20	GB/T 6177.1-2000	Bracket Plate Nut M8	2
21	TL48B23	Handle Lock Assy (XSZ48B.2.3)	2
22	TL48D-02020602	Throttle Cable Assy (XSSF-02.02.06.02)	1
23	TL1P64FJV-317-2	Rope Guide Assy (-3.17-2)	1
24	TL1P64FJV-317-1	Upper Handle (XSZL53D-C.02-01)	1
25	TLXSSF48D-02.02	Check Control Assembly (XSSF-02.02.06.01)	1
26	GB/T 823-2000	Screw M6x45	1
27	GB/T 6182-2000	Nut M6	1
28	TL1P64FJV-3174.	Rear Flap Cover (-3.17.4-1)	1

#	PART #	DESCRIPTION	QTY
29	TL64FJV-317.4-2	Rear Flap Cover Rod (1P-3.17.4-2)	1
30	TL64FJV-317.4-3	Spring (1P-3.17.4-3)	1
31	TL64FJV-317.4-4	Spacer (1P-3.17.4-4)	2
32	GB/T 896-1986	Retaining Ring 6	2
33	TL1P64FJV-31745	Bracket (-3.17.4-5)	1
34	TL1P4FJV-3.16.1	Grass Catcher, Upper	1
35	TL1P64FJV-3.16-	Grass Catcher, Lower (-3.16-1)	1
36	TL1E32QDA-2916	Washer (-2.9.1-6)	2
37	TL1P64FJV-3156B	Screw (-3.1.5-6B)	4
38	TL64FJV-3181-4	Dust Cover (1P-3.18.1-4)	1
39	TL1P64FJV-319B3	Disc Mounting Flange (-3.19B-3)	1
40	TL1P64FJV-3.19B	Blade (-3.19B-1(19))	1
41	TL1P64FJV-319B2	Check Washer (-3.19B-2)	2
42	TL1P65QGCJ.5-6	Bolt	1
43	TL48A-020301	Plastic Bush (XSSL-02.03-01)	2
44	TL48A-020204	Throttle Cable Clamp (XSSL-02.02-04)	2
45	TL64FJV-317-4	Throttle Cable Ring (1P64-3.17-4)	1
46	TL48A-020305	Height Adjustment Rod (XSSL-02.03.05)	1
47	TL48A-020302	Pin (XSSL-02.03-02)	2
48	TL64FJV-318-2	Spring (1P-3.18-2)	1
49	6001-2RS	Wheel Bearing	4
50	TLXSZ48B.3.3.1	Wheel, Rear	2
51	TL48332-7	Washer (XSZ B.3.2-7)	4
52	TL896-1986	E-ring 9 (GB/T896-1986)	4
53	TL64FJV-3181-1	Wheel Cover, Rear (1P-3.18.1-1)	2
54	TLXSZL48A-02.03	Wheel, Front (XSSF-02.03.03)	2
55	TL48A-02030301	Wheel Cover, Front (XSZL-02.03.03.01)	4