



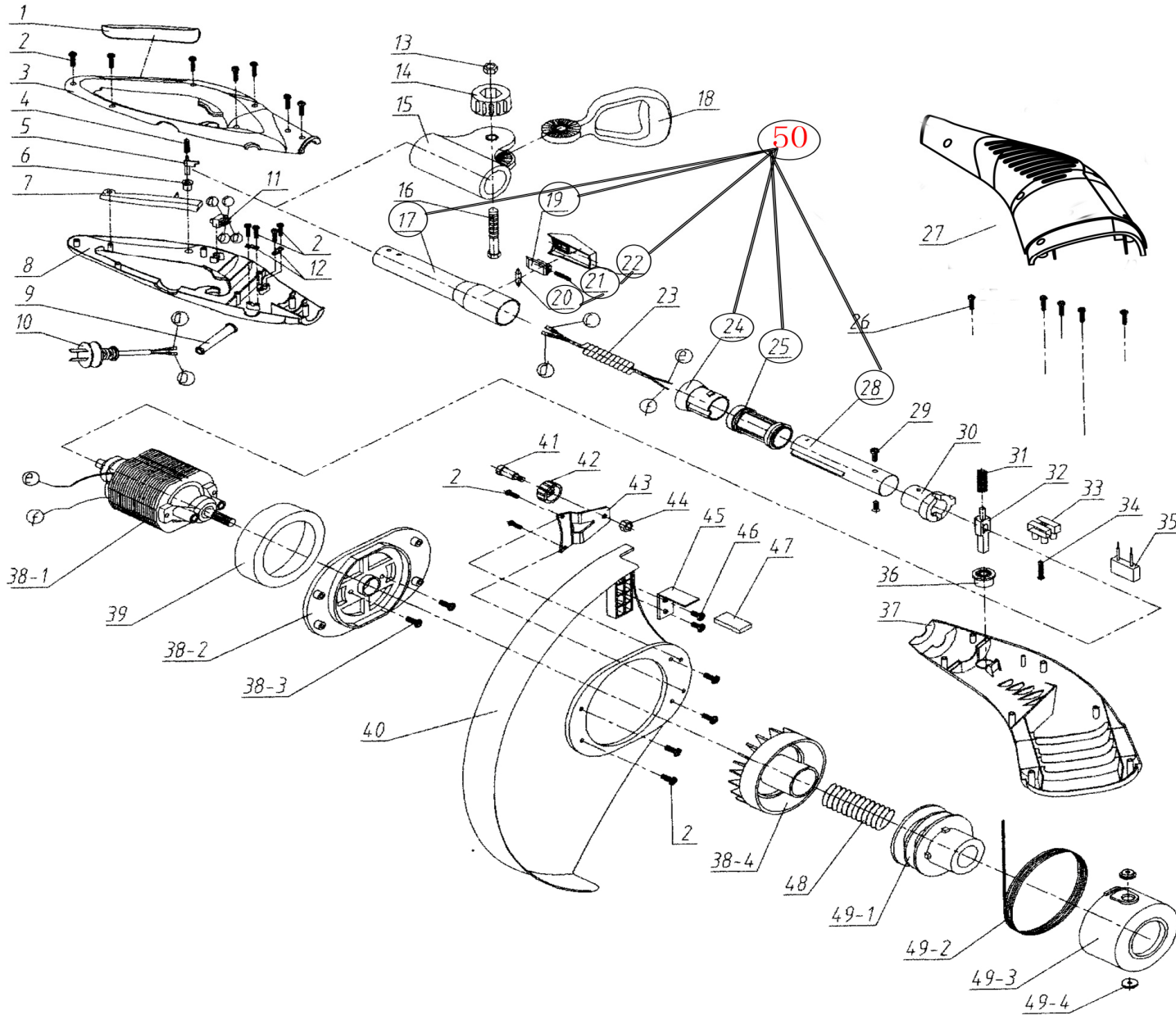
CREATIVE EQUIPMENT CC

18 Main Road, Fishers Hill, Germiston, 1401
Tel: 011 828 5085 Fax: 011-828-5085
crequip@global.co.za www.creativelp.co.za



ILLUSTRATED PARTS LIST

MODEL	TL450W	OUTPUT	450w
PRODUCT	Talon 450w Bottom Mount Electric String Trimmer		



**CREATIVE EQUIPMENT CC**

18 Main Road, Fishers Hill, Germiston, 1401
 Tel: 011 828 5085 Fax: 011-828-5085
 crequip@global.co.za www.creativelp.co.za

**ILLUSTRATED PARTS LIST**

MODEL TL450W OUTPUT 450w
 PRODUCT Talon 450w Bottom Mount Electric String Trimmer

#	PART #	DESCRIPTION	QTY
1	TL2W-8005-524301SB	Cover	1
2	R8SJAB40-14B	Self tapping screw 4*14	13
3	TL2W-8001-524302Ys	Right handle	1
4	R8342-524301	Self locking sTL2W-ing	1
5	TL2W-8087-524301WA	Pole	1
6	TL2W-8312-524301SB	Switch button	1
7	TL2W-8312-524302SB	Switch trigger	1
8	TL2W-8001-524301Ys	Left handle	1
9	TL2W-8332-211501	Cable sleeve	1
10	TL2W-8422-524313	Electric wire	1
11	TL2W-8042-522202	Switch	1
12	TL2W-8184-302201WA	Cable clamp	1
13	R8NA-06B	Nut	1
14	TL2W-8313-522201SB	Knob	1
15	TL2W-8291-524301SB	Handle frame	1
16	R8SLJD06-60B	Screw 6*30	1
17	<i>(Included in No. 50)</i>	Connector tube	1
18	TL2W-8003-524301SB	Assistance handle	1
19	<i>(Included in No. 50)</i>	Fixed pin	1
20	<i>(Included in No. 50)</i>	Flex knob	1
21	<i>(Included in No. 50)</i>	STL2W-ing	1
22	<i>(Included in No. 50)</i>	Flex button	1
23	TL2W-8413-524301	Connecting wire	1
24	<i>(Included in No. 50)</i>	Ring	1
25	<i>(Included in No. 50)</i>	Flex tube	1
26	R8SJAB40-18B	Screw 4*18	9
27	TL2W-8006-524302Ys	Right housing	1
28	<i>(Included in No. 50)</i>	Connector tube	1

#	PART #	DESCRIPTION	QTY
29	R8SJAB40-06B	Screw 4*6	2
30	TL2W-8204-524303WA	Turning ring	1
31	R8342-524303	STL2W-ing	1
32	TL2W-8087-524302WA	Turning pole	1
33	TL2W-8411-522201	Connector base	2
34	R8SJAB30-16B	Screw 3*16	1
35	TL2W-8416-522301	Capacitance	1
36	TL2W-8312-524305SB	Turning button	1
37	TL2W-8006-524301Ys	Left housing	1
38-1	#NAME?	Motor	1
38-2	R8181-522201SB	Fixed board	1
38-3	R8SJAB40-12B	Screw 4*12	2
38-4	TL2W-8141-522202SB	Cutting base	1
39	TL2W-8331-522203WA	Rubber ring	1
40	TL2W-8185-524301SB	Shield screen	1
41	R8086-524302	Pin shaft	1
42	TL2W-8121-522201SB	TL2W-otect wheel	1
43	R8087-524303	TL2W-otect pole	1
44	R8NG-05D	Locknut	1
45	R8231-524301	Blade	1
46	R8SJAD04-10B	Screw 3*6.5	2
47	TL2W-8331-526103SB	Blade cover	1
48	R8342-522204	STL2W-ing	1
49-1	TL2W-8141-522203SB	Line holder	1
49-2	TL2W-8370-522201WA	Nylon line 5.5M	1
49-3	TL2W-8331-522202SB	Cutting sleeve	1
49-4	R8212-522203	Rivet	2
50	R8440-522301SB	Connector assembly	1