

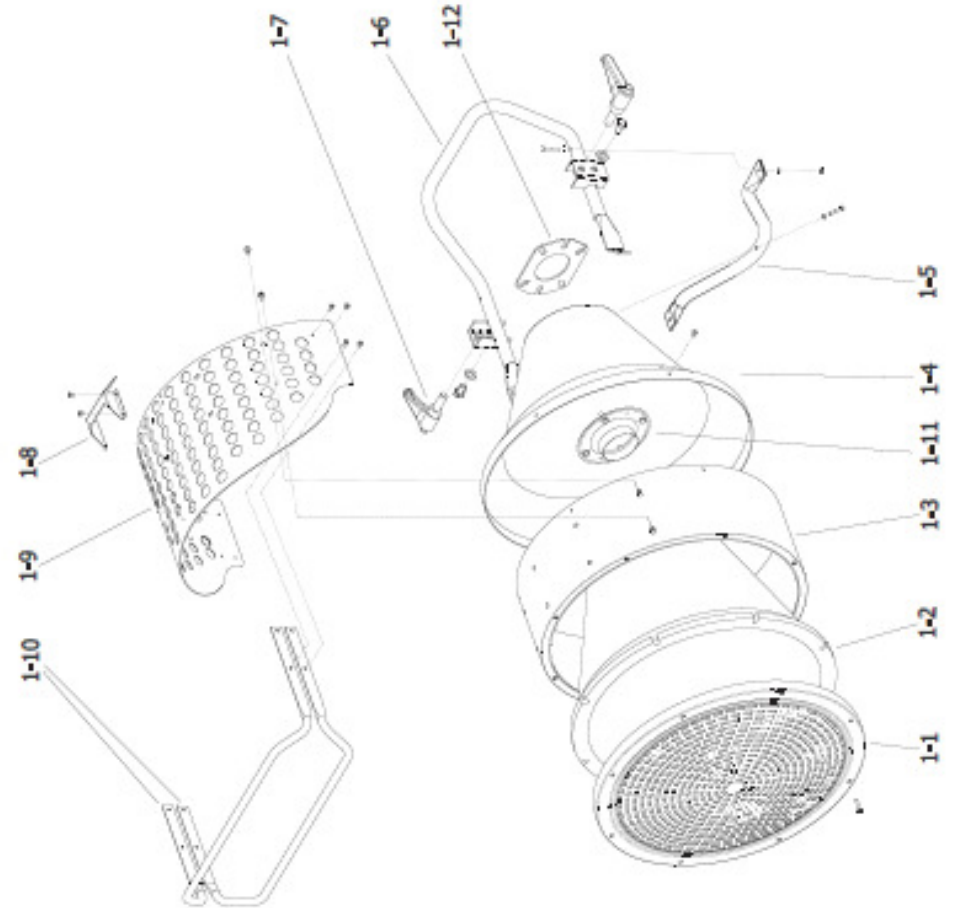
**CREATIVE EQUIPMENT CC**

18 Main Road, Fishers Hill, Germiston, 1401
 Tel: 011 828 5085 Fax: 011-828-5085
 crequip@global.co.za www.creativelp.co.za

**ILLUSTRATED PARTS LIST**

MODEL XL9 E OUTPUT
 PRODUCT INFRARED HEATER

#	PART #	DESCRIPTION	
COMBUSTION CHAMBER ASSEMBLY			
FROM: 30700044 - 32700188			
1-1	4117.043	RADIATION DISC	
1-2	4117.007	CONICAL INSULATOR	
1-3	4117.072	DRUM	
1-4	4117.104	CONICAL HOUSING	
1-5	4117-055	CONICAL HOUSING BRACKET	
1-6	4117.032	GRIP	
1-7	4117.294	PLASTIC HOLD	
1-8	4117.027	PROTECTION SUPPORT	
1-9	4117.026	VISOR	
1-10	4117.096	GUARD RAIL	
1-11	4117.190	COMBUSTION CHAMBER FLANGE	
1-12	4117.191	COMBUSTION CHAMBER FLANGE GASKET	

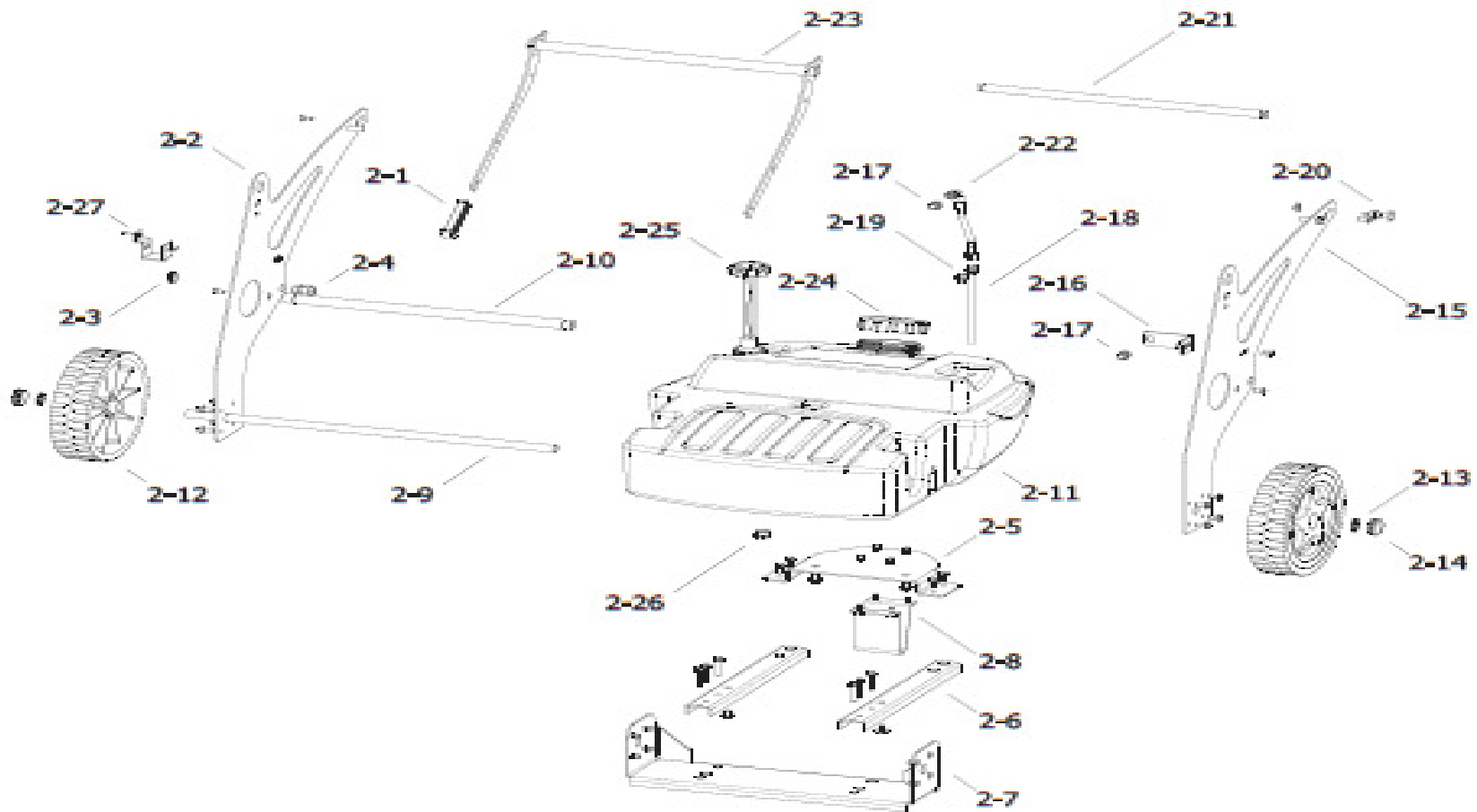


**CREATIVE EQUIPMENT CC**

18 Main Road, Fishers Hill, Germiston, 1401
 Tel: 011 828 5085 Fax: 011-828-5085
 crequip@global.co.za www.creativelp.co.za

**ILLUSTRATED PARTS LIST**

MODEL	XL9 E	OUTPUT
PRODUCT	INFRARED HEATER	



**CREATIVE EQUIPMENT CC**

18 Main Road, Fishers Hill, Germiston, 1401
 Tel: 011 828 5085 Fax: 011-828-5085
 crequip@global.co.za www.creativelp.co.za

**ILLUSTRATED PARTS LIST**

MODEL XL9 E OUTPUT
 PRODUCT INFRARED HEATER

#	PART #	DESCRIPTION	
FRAME ASSEMBLY			
FROM: 30700044 - 32700188			
2-1	4117.044	PLASTIC GRIP	
2-2	4117.021	RIGHT SUPPORT	
2-3	4100.656	NYLON LOCKNUT	
2-4	4150.528	STRAIN RELIEF BUSHING	
2-5	4117.202	FUEL TANK BASE KIT	
2-6	4117.203	BURNER FLANGE	
2-7	4117.204	STRINGER KIT	
2-8	4117.019	LOWER SUPPORT KIT	
2-9	4117.038	AXLE	
2-10	4117.036	TUBE	
2-11	4117.303	FUEL TANK	
2-12	4110.978	WHEEL	
2-13	4111.072	WHEEL HOLDER	

#	PART #	DESCRIPTION	
2-14	4111.480	WHEEL PLUG	
2-15	4117.095	LEFT SUPPORT	
2-16	4117.042	KIT FILTER SUPPORT	
2-17	4117.048	NIPPLES	
2-18	4117.050	PIPE CONNECTION	
2-19	4117.049	NIPPLES	
2-20	4117.152	SET PLUG	
2-21	4117.039	TUBE	
2-22	4117.051	FLEXIBLE CONNECTION	
2-23	4117.011	ROTATION SET	
2-24	4117.053	FUEL PLUG	
2-25	4117.006	FUEL LEVEL PROBE	
2-26	4032.813	DRAIN PLUG	
2-27	4117.185	SUPPORT	



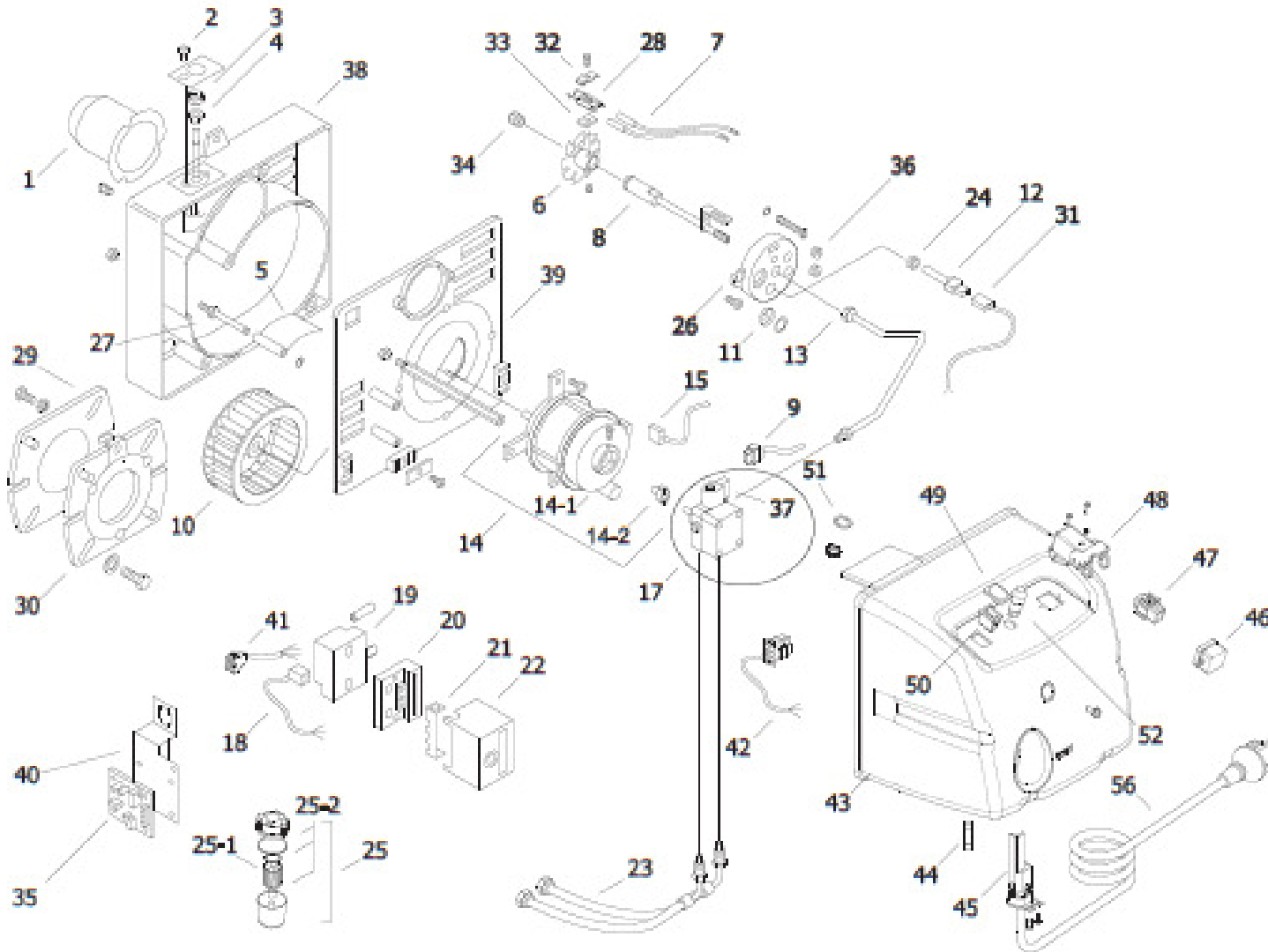
CREATIVE EQUIPMENT CC

18 Main Road, Fishers Hill, Germiston, 1401
Tel: 011 828 5085 Fax: 011-828-5085
crequip@global.co.za www.creativelp.co.za



ILLUSTRATED PARTS LIST

MODEL XL9 E OUTPUT
PRODUCT INFRARED HEATER



**CREATIVE EQUIPMENT CC**

18 Main Road, Fishers Hill, Germiston, 1401
 Tel: 011 828 5085 Fax: 011-828-5085
 crequip@global.co.za www.creativelp.co.za

**ILLUSTRATED PARTS LIST**

MODEL XL9 E OUTPUT
 PRODUCT INFRARED HEATER

#	PART #	DESCRIPTION	
BURNER BXL 1 220/240V - 50Hz			
FROM: 30700044 - 32700188			
1	4117.128	BURNER CONE	
2	N/A	SCREW	NOT AVAILABLE
3	N/A	ROUND INDICATOR	NOT AVAILABLE
4	N/A	SLEEVE	NOT AVAILABLE
5	4117.129	BURNER FASTENER	
6	4117.130	BURNER DISC	
7	1*	ELECTRODE LINE	KIT LINES – 4117.171
8	4117.136	NOZZLE SUPPORT	
9	1*	ELECTROVALVE LINE	KIT LINES – 4117.171
10	4117.134	FAN	
11	N/A	FLAME CHECK	
12	4110.966	PHOTOCELL	
13	4117.135	COPPER TUBE	
14	4117.125	MOTOR	
14-1	4117.206	MOTOR CAPACITOR SIMEL	
14-2	4111.081	PUMP COUPLING SIMEL	
15	1*	MOTOR LINE	KIT LINES – 4117.171
17	4111.042	OIL PUMP DANFOSS	

#	PART #	DESCRIPTION	
17-1	4031.094	PUMP FILTER	
18	1*	TRANSFORMER LINE	KIT LINES – 4117.171
19	4117.141	TRANSFORMER DANFOSS	
20	4110.969	FLAME CONTROL BASE	
21	N/A	BASE PARTITION	NOT AVAILABLE
22	4110.968	CONTROL BOX SATRONIC	
23	4117.142	PLASTIC TUBE	
24	4117.207	PHOTOCELL ADAPTOR	
25	4031.070	FUEL FILTER	
25-1	4031.015	FILTER ELEMENT	
25-2	4111.116	FILTER SEAL	
26	N/A	BURNER FLANGE	NOT AVAILABLE
27	4117.146	BURNER FASTENER BOLT	
28	4117.195	ELECTRODE	
29	4117.148	BURNER FLANGE SEAL	
30	4117.194	BURNER FLANGE ONNECTION	
31	1*	PHOTOCELL LINE	KIT LINES – 4117.171
32	N/A	ELECTRODE CLAMP	NOT AVAILABLE
33	N/A	ELECTRODE SEAL	NOT AVAILABLE
34	4116.759	NOZZLE	



CREATIVE EQUIPMENT CC

18 Main Road, Fishers Hill, Germiston, 1401
 Tel: 011 828 5085 Fax: 011-828-5085
 crequip@global.co.za www.creativelp.co.za



ILLUSTRATED PARTS LIST

MODEL XL9 E OUTPUT
 PRODUCT INFRARED HEATER

#	PART #	DESCRIPTION	
36	N/A	RUBBER RING	NOT AVAILABLE
35	4117.151	PC BOARD	
37-1	4031.195	VALVE	
37-2	4031.019	SPOOL	
38	4117.166	BURNER HOUSING	
39	4117.167	BURNER HOUSING PLATE	
40	4117.153	PC BOARD SUPPORT	
41	1*	4 PIN PLUG LINE	KIT LINES – 4117.171
42	2*	CONNECTION LINE	KIT LINES BURER COVER 4117.172
43	4117.041	BURNER COVER	
44	4117.057	FUSE	
45	4111.038	CABLE FASTENER	
46	4162.467	THERMOSTAT CONNECTION PLUG	

#	PART #	DESCRIPTION	
47	4161.400	CONNECTION SOCKET	
48	4160.647	ANGULAR FIX CASE	
49	4104.336	COVER SWITCH	
50	4100.667	SWITCH	
51	4117.093	RUBBER SEAL	
52	4117.058	PILOT LAMP	
53	2*	DUAL LINE BLUE	KIT LINES BURER COVER 4117.172
54	2*	DUAL LINE BLACK	KIT LINES BURER COVER 4117.172
55	2	LINE WHITE	KIT LINES BURER COVER 4117.172
56	4111.153	POWER CORD (UK PLUG)	
56	4111.449	POWER CORD (EUROPEAN PLUG)	