

# **Tanaka** Illustrated Parts Manual

Model Number:

**TBC-225C**

**GRASS TRIMMER**

P/N 39718

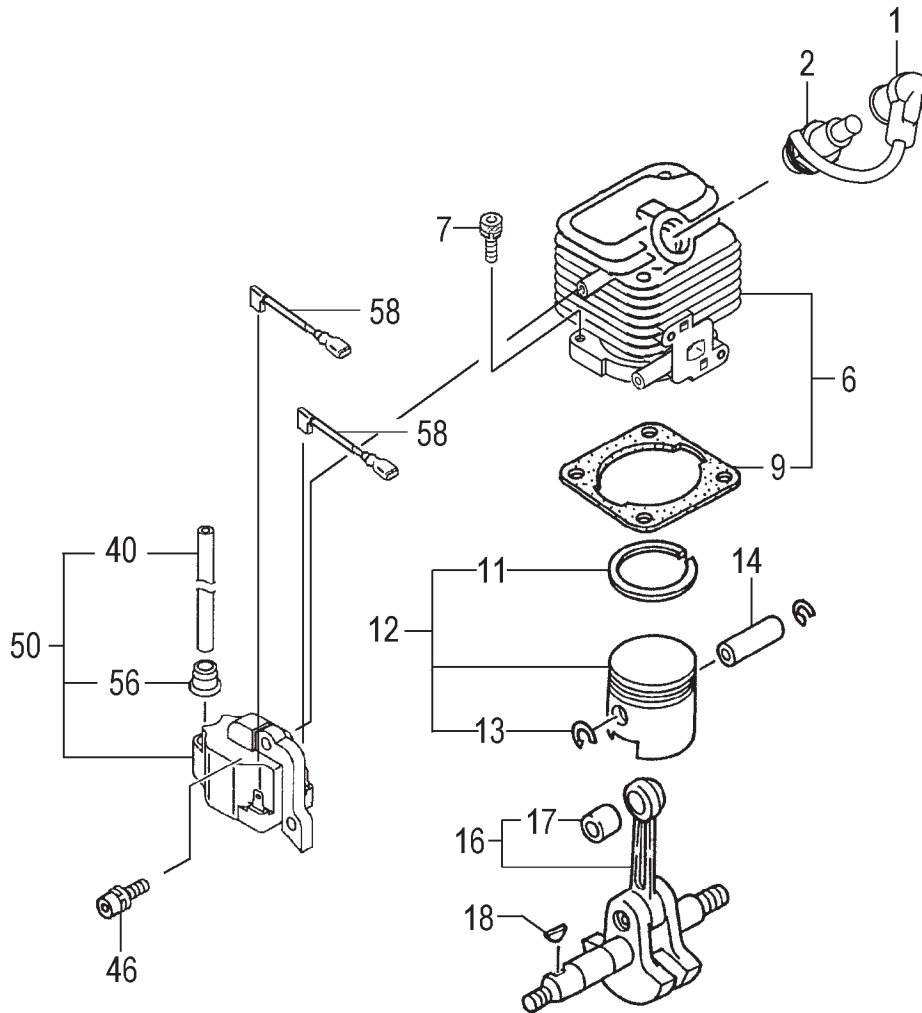
Rev 000

Date 4-15-08

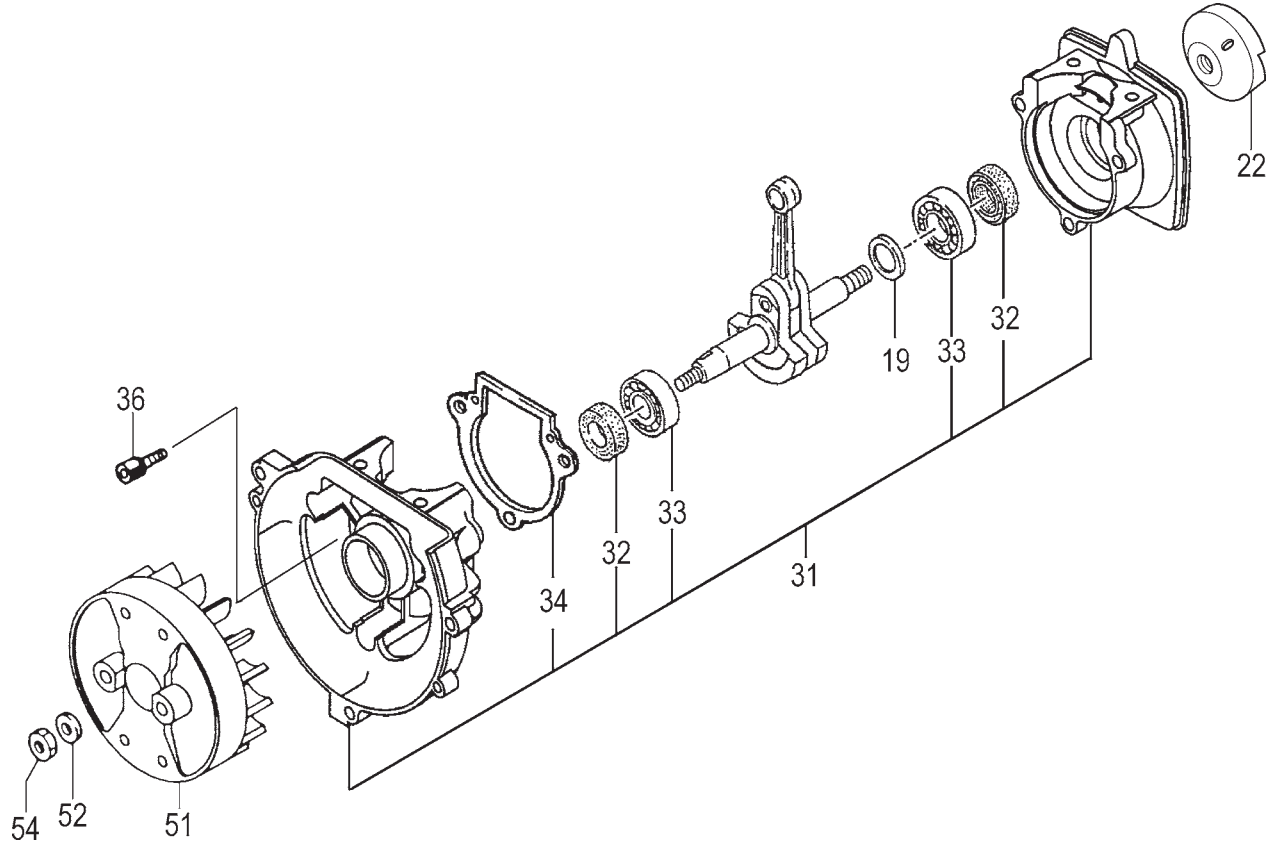


Nikko Tanaka Engineering U.S.A.,Ltd. • 1028 4<sup>th</sup> Street SW, Bldg B • Auburn, WA 98001 • Phone: (253) 333-1200 • Fax: (253) 333-1212

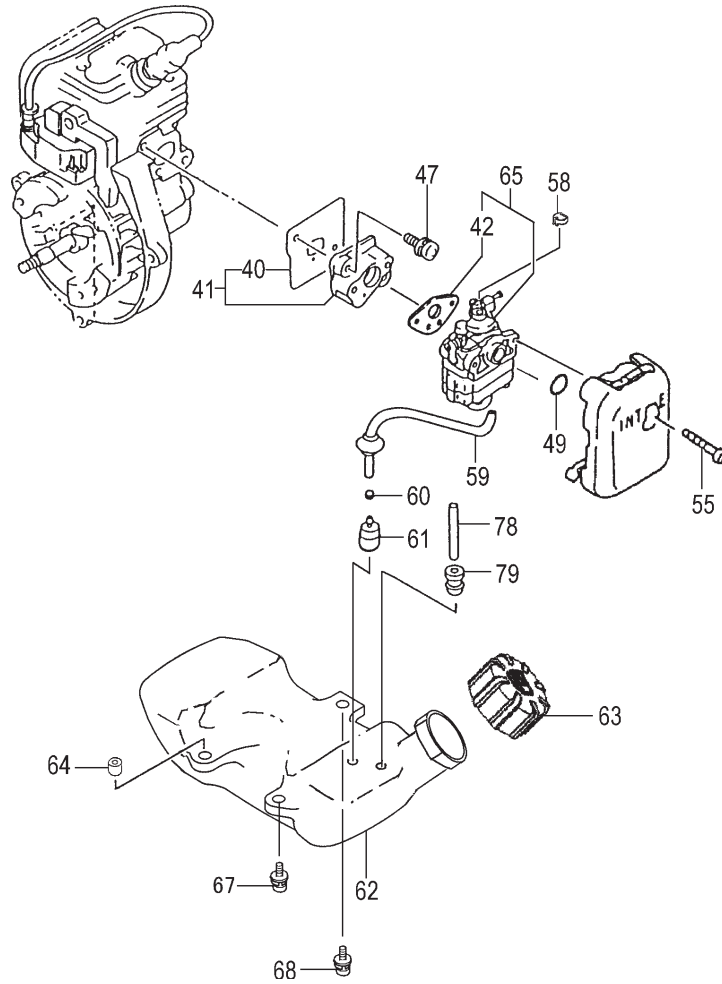
### CYLINDER, PISTON, CRANKSHAFT, IGNITION • FIGURE 1



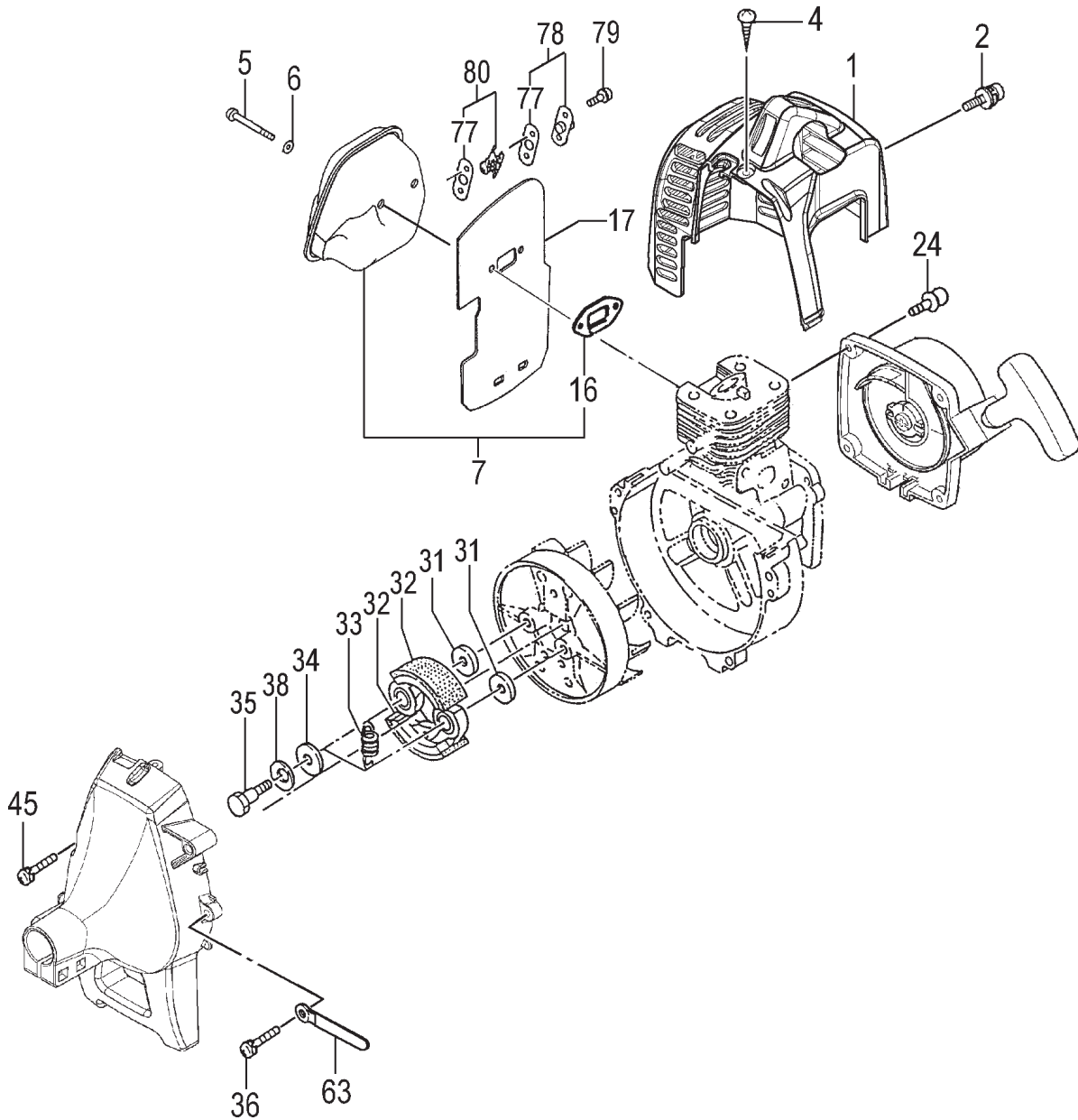
ITEM	PART NUMBER	DESCRIPTION	QTY	COMMENTS
1-1	1570157090	CAP, SPARK PLUG, ASSEMBLY	1	
1-2	0181166021	PLUG, SPARK	1	
1-6	0010713091	CYLINDER SET	1	Includes gasket
1-7	99461050184	BOLT, HEX, 5X18, S	2	
1-9	01700980200	GASKET, CYLINDER	1	
1-11	04100601210	RING, PISTON	1	
1-12	0300007090	PISTON SET	1	Includes piston rings and circlips
1-13	03901620200	CIRCLIP, PISTON PIN	1	
1-14	03706500200	PIN, PISTON	1	
1-16	0460713081	CRANKSHAFT	1	~B001000
1-16	0460713580	CRANKSHAFT	1	B001001~
1-17	99962081277	BEARING, NEEDLE, HK0810B	1	
1-18	06810100200	KEY, WOODRUFF, 3X13X4.5	1	~B001000
1-40	1782054620	CORD B	1	
1-46	99463040154	BOLT, HEX, 4X15, PS	2	
1-50	1672054691	COIL, IGNITION	1	
1-56	56020517200	CAP, RUBBER	1	
1-58	1780136M800	CORD, STOP	2	



ITEM	PART NUMBER	DESCRIPTION	QTY	COMMENTS
2-19	33000200210	SHIM,12.2X19X.10	1	
2-19	33000200220	SHIM,12.2X19X.15	1	
2-19	33000200230	SHIM,12.2X19X.20	1	
2-19	33000200240	SHIM,12.2X19X.30	1	
2-22	7980304520	PULLEY,STARTER	1	
2-31	0720712092	CRANKCASE ASSY	1	Includes gasket, bearings and seals
2-32	99966122240	SEAL,OIL	2	
2-33	99961600115	BEARING,BALL,6001 C3	2	
2-34	0900641020	GASKET,CRANKCASE	1	
2-36	99461050184	BOLT,HEX,5X18,S	3	
2-51	1552055080	ROTOR,MAGNETO	1	~B001001
2-51	1552055081	ROTOR,MAGNETO	1	B001001~
2-52	99201080011	WASHER,8	1	
2-54	99101080011	NUT,8	1	

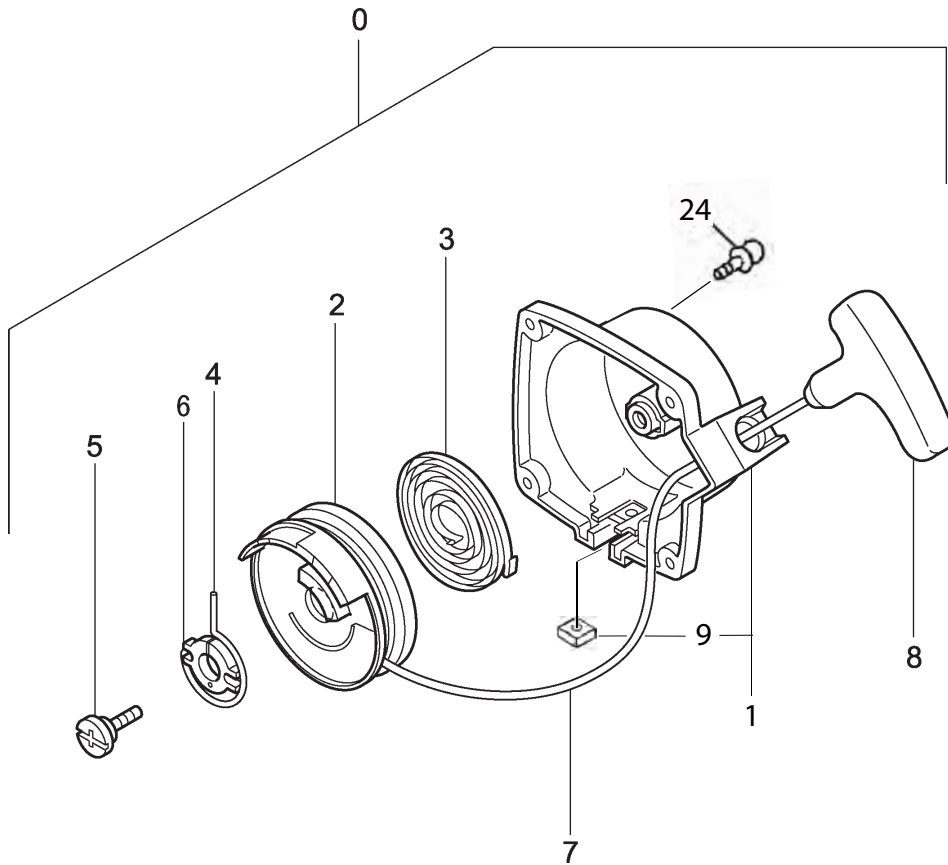


ITEM	PART NUMBER	DESCRIPTION	QTY	COMMENTS
3-40	4030631A20	GASKET,INLET MANIFOLD	1	
3-41	4040099F90	SET,CARB INSULATOR	1	
3-42	4020602K21	GASKET,CARBURETOR	1	
3-47	99464050224	BOLT,HEX,5X22,WS	2	
3-49	4310634C200	GASKET,CLEANER	1	
3-55	99416050601	SCREW,5x60WS	2	
3-58	5600712020	SWIVEL CAP	1	
3-59	2230700090	FUEL PIPE ASSY	1	
3-60	68000731201	CLIP 6.3	1	
3-61	6750404280	FILTER,FUEL	1	
3-62	5910712021	TANK,FUEL	1	Before S/N ~D067000
3-62	5910717F20	TANK,FUEL,EVAPO	1	After S/N D067001~
3-63	5950300290	CAP,TANK (BLACK/RED)	1	
3-64	65900801200	COLLAR	3	
3-65	4550713990	CARBURETOR SET	1	Includes gasket
3-67	99463050164	BOLT,HEX,5X16,PS	2	
3-68	99463050205	BOLT,HEX,5X20PS	1	
3-78	7000300508	PIPE,FUEL,3X5X85	1	
3-79	53432710200	GROMMET,FUEL PIPE	1	



### MUFFLER, CLUTCH & COVER • FIGURE 4

ITEM	PART NUMBER	DESCRIPTION	QTY	COMMENTS
4-1	7380716220	COVER,MUFFLER	1	
4-2	99415040151	SCREW,4X15PS	1	
4-4	99073045124	SCREW,TAPPING,4.5X12	1	
4-5	99051050503	BOLT,HEX,5X50	2	
4-6	99201050061	WASHER,5	2	
4-7	7040713990	MUFFLER SET	1	Includes gasket
4-16	7370700020	GASKET,MUFFLER	1	
4-17	1330654020	SHIELD,HEAT	1	
4-24	99463040154	BOLT,HEX,4X15,PS	4	
4-31	35902103200	WASHER,CLUTCH,B	2	
4-32	2900641080	SHOE,CLUTCH	2	
4-33	3420641020	SPRING,CLUTCH	1	
4-34	3480654020	PLATE,CLUTCH	2	
4-35	35700601200	BOLT,STEP,CLUTCH	2	
4-36	99464050184	BOLT,HEX,5X18,WS	2	
4-38	99205080030	WASHER,8	2	
4-45	99464050304	BOLT,HEX,5X30,WS	1	
4-63	19811600200	CLAMP,CORD	1	
4-77	75104200201	GASKET,MUFFLER	2	
4-78	7340099K90	PIPE,EXHAUST	1	
4-79	99434040081	SCREW,4X8/S	2	
4-80	7320099F90	SET,SPARK ARRESTER	1	

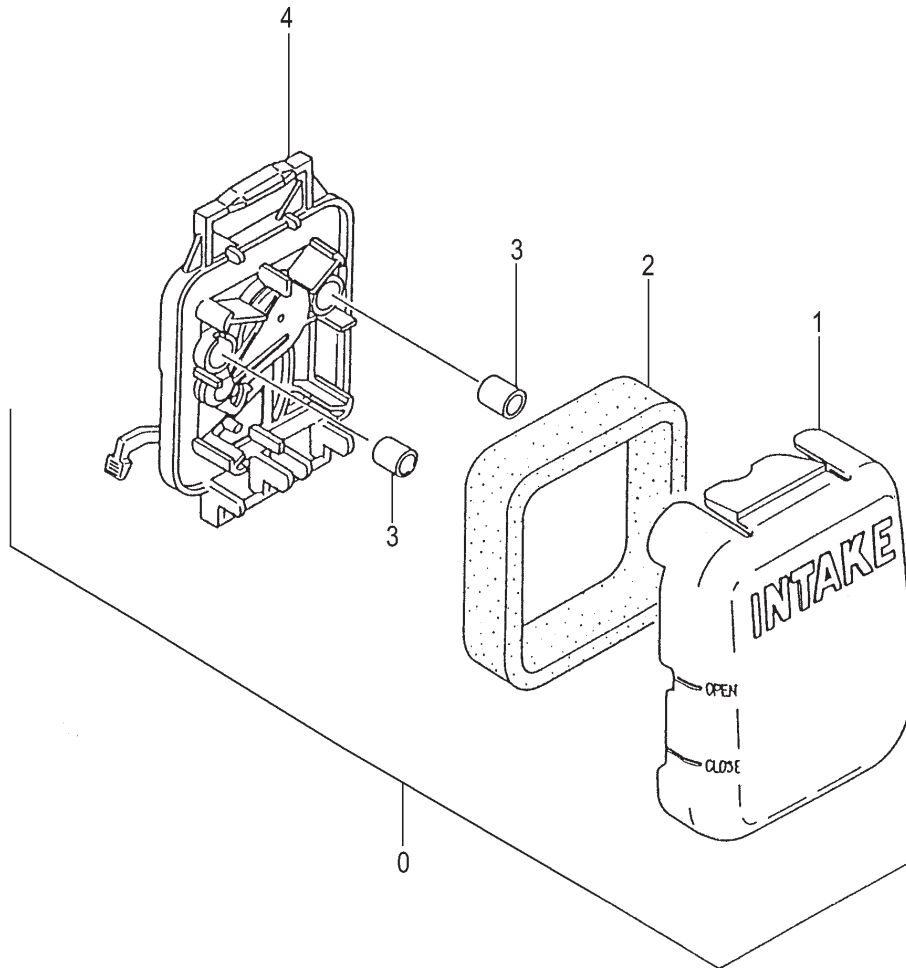


### 748744



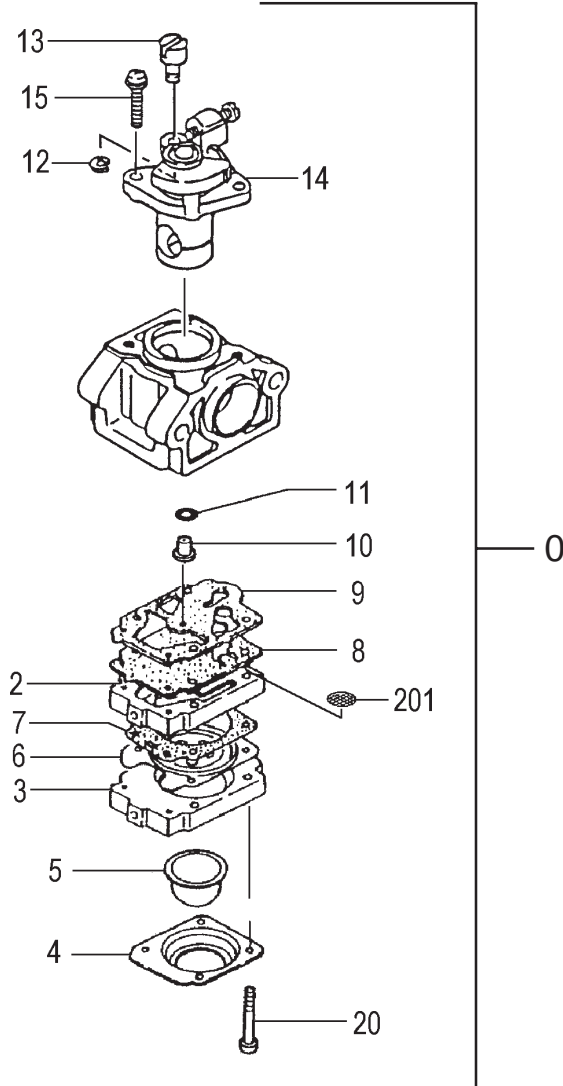
Consider ordering the 748744, S-Start Kit if you are replacing the starter assy. It decreases the pull-effort by 60%. They are dependable and easy to install.

ITEM	PART NUMBER	DESCRIPTION	QTY	COMMENTS
5-0	7620304590	STARTER ASS'Y	1	7560712000 Optional S-Start Kit
5-1	7720304580	BODY,STARTER	1	
5-2	7740304520	PULLEY,STARTER	1	
5-3	7790304520	SPRING,RECOIL	1	
5-4	7770304520	ARM,SWING	1	
5-5	8390304520	SCREW,SET	1	
5-6	7710304520	STAY,PULLEY	1	
5-7	7830304520	ROPE,STARTER	1	
5-8	7850304520	HANDLE,STARTER	1	
5-9	3153334020	NUT, SPECIAL 5MM	1	
5-24	99463040154	HEX, HOLE BOLT 4X15/PS	4	NOT INCLUDED WITH ASSEMBLY



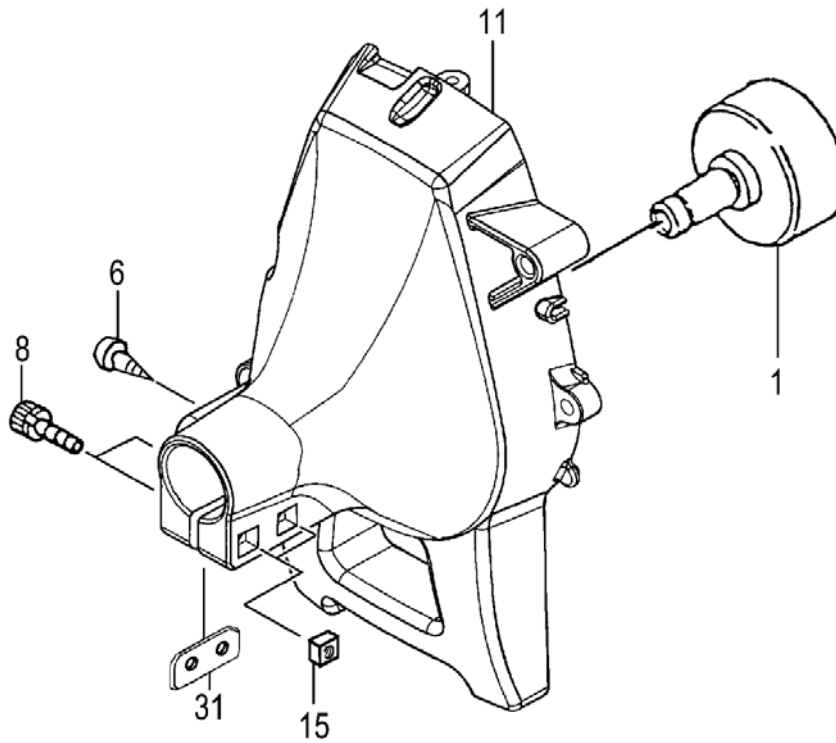
ITEM	PART NUMBER	DESCRIPTION	QTY	COMMENTS
6-0	41000025900	CLEANER,AIR ASS'Y	1	
6-1	42400025200	CAP,AIR CLEANER	1	
6-2	44600025200	ELEMENT,CLEANER	1	
6-3	47000025200	COLLAR	2	
6-4	42300025800	BODY,CLEANER,AIR	1	



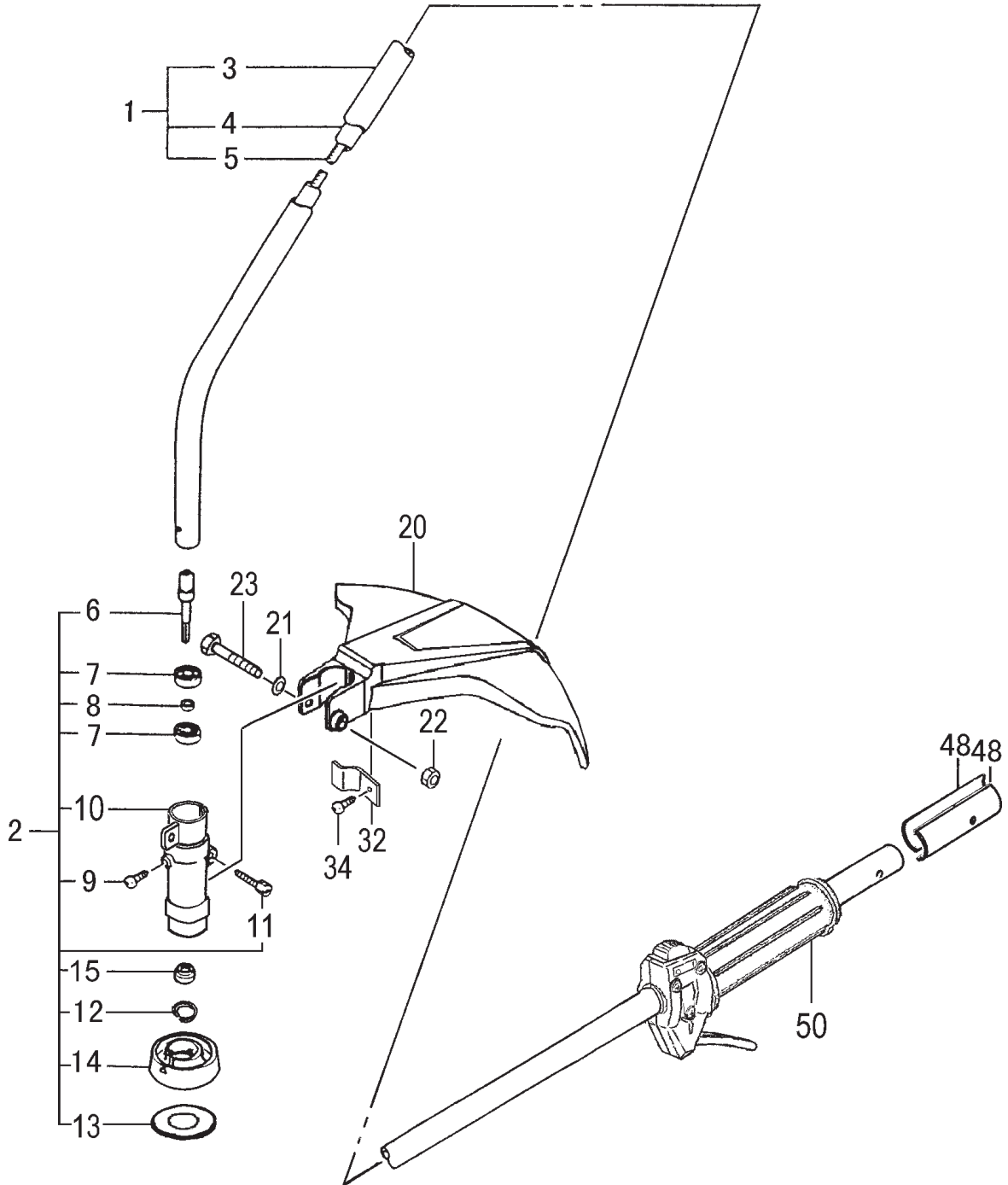


ITEM	PART NUMBER	DESCRIPTION	QTY	COMMENTS
7-0	4550713990	CARBURETOR SET	1	Includes gasket
7-2	5752515380	BODY,PUMP	1	
7-3	4422515180	PUMP,PRIMING	1	
7-4	4762515120	COVER,DIAPHRAGM	1	
7-5	44725108200	BULB,PRIMING	1	
7-6	~ ~ ~	METERING DIAPHRAGM	1	~ Contained in Carb Repair Kit
7-7	~ ~ ~	GASKET,DIAPHRAGM	1	P/N 650-25140-900
7-8	~ ~ ~	DIAPHRAGM,PUMP	1	(not available individually)
7-9	~ ~ ~	GASKET,PUMP	1	
7-10	5992000W38	JET,MAIN #38	1	
7-11	55025100200	O-RING	1	
7-12	48925100200	RING,STOP	1	
7-13	53925120200	SWIVEL	1	
7-15	54825140200	SCREW,THROTTLE SET	2	
7-20	5482515120	SCREW,SET	4	
7-201	57825007200	SCREEN,INLET	1	

This item is no longer sold as assembly. Order individual parts.

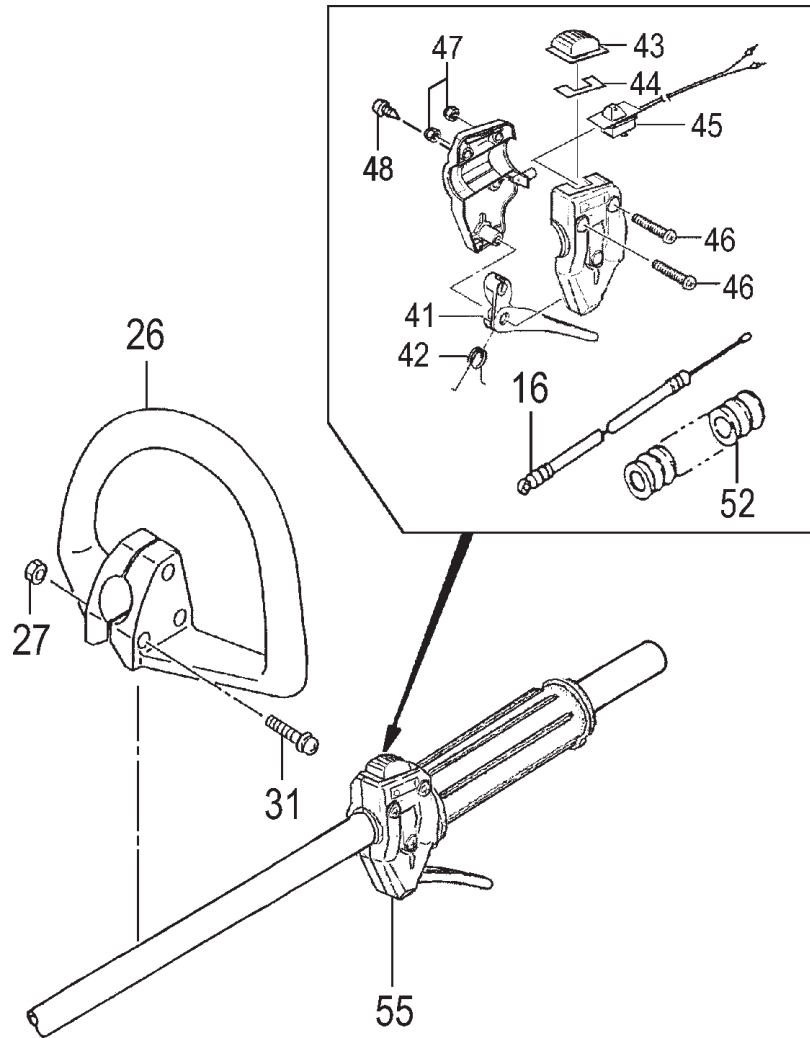


ITEM	PART NUMBER	DESCRIPTION	QTY	COMMENTS
8-1	2890716280	DRUM,CLUTCH	1	
8-6	99074045164	SCREW,TAPPING 4.5x16	1	
8-8	99464050304	BOLT,HEX,5X30,WS	2	
8-11	1120716480	FAN CASE	1	Includes bearing
8-15	99191050001	NUT,5	2	
8-31	2490712K20	SPACER	1	

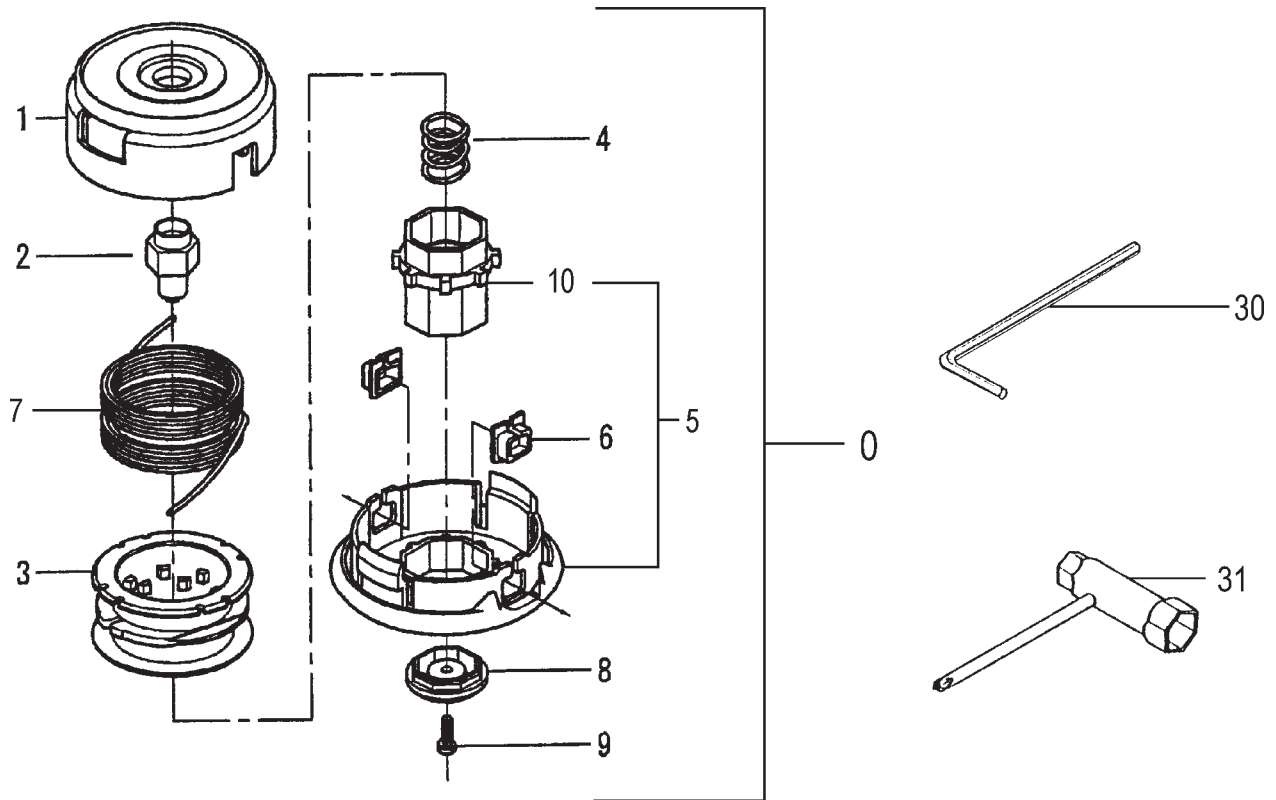


### DRIVE SHAFT & SAFETY GUARD • FIGURE 9

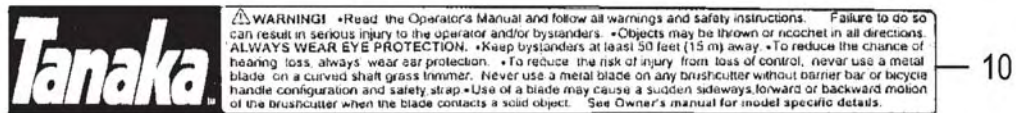
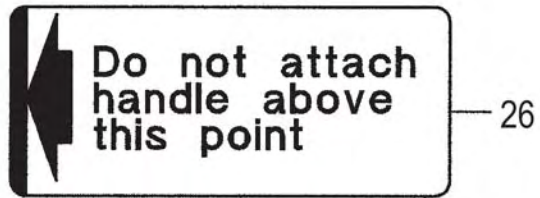
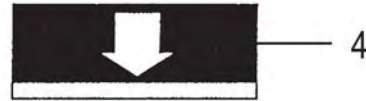
ITEM	PART NUMBER	DESCRIPTION	QTY	COMMENTS
9-1	3533847490	SHAFT PIPE SET	1	
9-2	3003847490	CASE,GEAR,ASS'Y	1	
9-3	3413847420	PIPE,DRIVE SHAFT	1	
9-4	3503847420	LINER,FLEXIBLE	1	
9-5	3443847420	SHAFT,FLEXIBLE	1	
9-6	3043847420	SHAFT,CUTTER	1	
9-7	99961608001	BEARING,BALL,#608LB	2	
9-8	3483847420	COLLAR,5	1	
9-9	99021050101	BOLT,5x10	1	
9-10	3003847420	CASE,GEAR	1	
9-11	99021050301	BOLT,5X30	1	
9-12	99210080012	WASHER,S,8	1	
9-13	3203847420	SPACER	1	
9-14	3103847420	HOLDER,CUTTER	1	
9-15	7603847420	WASHER,SPECIAL	1	
9-20	4413845220	GUARD,SFAETY	1	
9-21	99201060011	WASHER,6	1	
9-22	99101060011	NUT,6	1	
9-23	99023060451	BOLT,6x45	1	
9-32	7973845220	KNIFE	1	
9-34	99073050164	SCREW,TAPPING,5X16	1	
9-48	3463737A20	HOLDER	2	
9-50	5093845320	GRIP,SHAFT	1	



ITEM	PART NUMBER	DESCRIPTION	QTY	COMMENTS
10-16	8853845191	THROTTLE WIRE SET	1	
10-26	5003845220	HANDLE,FRONT	1	
10-27	99101050041	NUT,5	3	
10-31	99416050302	SCREW,5x30,WS	3	
10-41	8803845120	LEVER,THROTTLE	1	
10-42	8323845120	SPRING,RETURN	1	
10-43	1623845120	BUTTON,STOP	1	
10-44	9253845120	DECAL,STOP SWITCH	1	
10-45	1563845180	SWITCH,STOP	1	
10-46	99011050301	SCREW,5X30	3	
10-47	99101050011	NUT,5	3	
10-48	99072050144	SCREW,TAPPING,5X14	1	
10-52	1640701701	TUBE,PROTECTION,7x170	1	
10-55	8703847490	LEVER,THROTTLE ASSY	1	



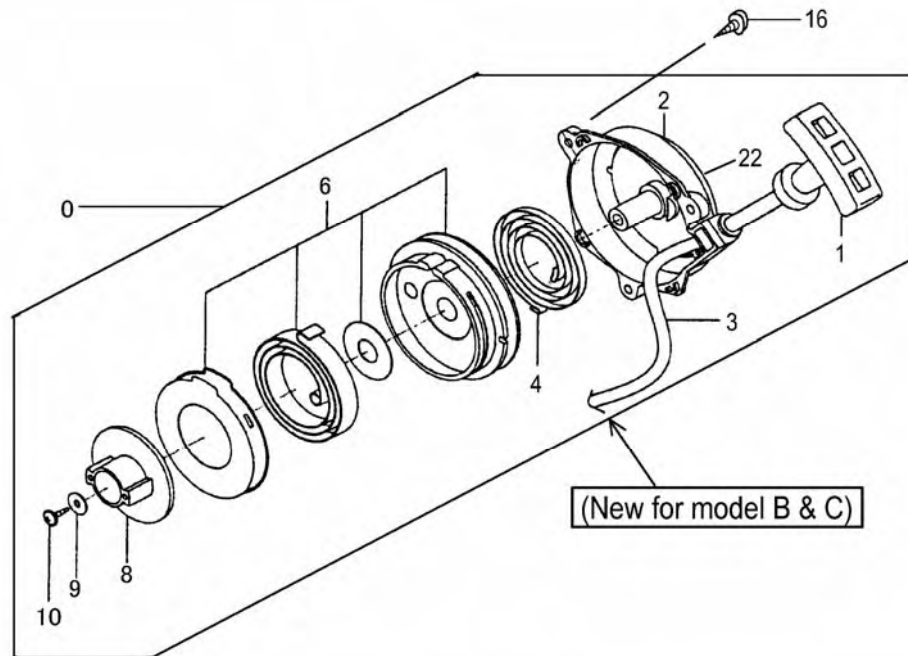
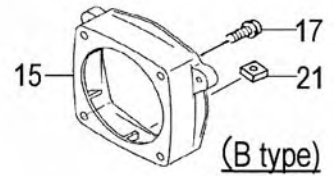
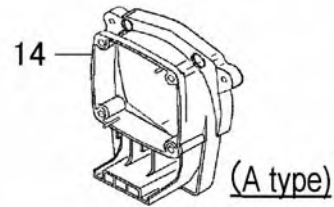
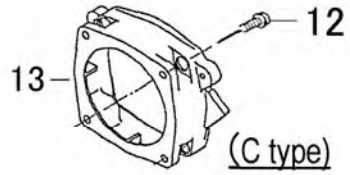
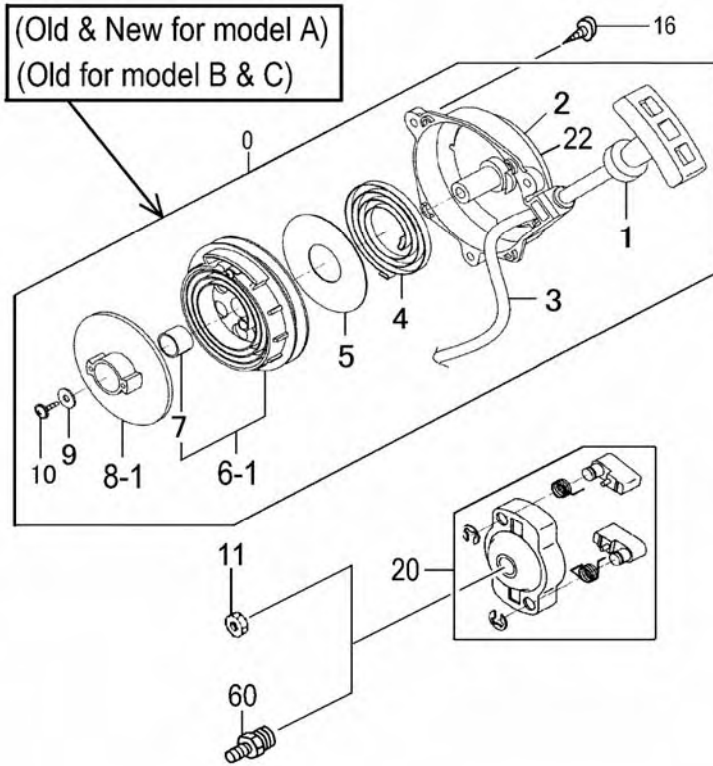
ITEM	PART NUMBER	DESCRIPTION	QTY	COMMENTS
11-0	746852	HEAD,SEMI-AUTO,4" CURVED	1	
11-1	7863847420	CUTTING BODY	1	
11-2	3563847420	SPECIAL NUT,RH	1	
11-3	7873819520	REEL	1	
11-4	7933819520	SPRING	1	
11-5	4023819500	CAP-SLIDER SET	1	
11-6	7883819520	EYELET	2	
11-7	746560	TRIMMER LINE,.095	1	
11-8	4033819520	DISK	1	
11-9	99414050141	SCREW	1	
11-10	4023819580	SLIDER	1	
11-30	8132901460	WRENCH,HEX 14	1	
11-31	8262901460	SPANNER,COMBI 17x19	1	



ITEM	PART NUMBER	DESCRIPTION	QTY	COMMENTS
12-1	9060716220	DECAL,TBC-225C	1	
12-3	9290716220	DECAL,TBC-225C	1	
12-4	92337400200	DECAL	1	
12-10	9193782020	DECAL,CAUTION A	1	
12-26	9233738F20	DECAL,LEVEL	1	

# S · START KIT

	Order Number
A --- TBC2501/D, TPH2501, TPS-2501, TPE2501	748733
B --- TBC230/230B/230D	748744
C --- TBC290/290D/340/340D	748732





### *S-Start Parts Information*

REF. NUMBER	PART NUMBER	DESCRIPTION	Q'TY		
			A	B	C
	756-07075-00	S·START KIT (TBC2501)	1		
	756-07120-00	S·START KIT (TBC230)		1	
	756-07027-00	S·START KIT (TBC290)			1
000	762-07075-90	RECOIL STARTER BODY ASS'Y	1		
000	762-07085-90	RECOIL STARTER BODY ASS'Y		1	
000	762-07027-90	RECOIL STARTER BODY ASS'Y			1
001	785-07085-20	STARTER HANDLE	1	1	1
002	772-07085-80	RECOIL STARTER BODY COMP,	1	1	1
003	783-07085-20	RECOIL ROPE	1	1	1
004	780-07085-20	RECOIL SPRING	1	1	1
005	786-07085-20	SPRING PLATE	1	1	1
006,1	778-07027-90	RECOIL SPRING CASE ASS'Y	1		1
006,1	778-07085-90	RECOIL SPRING CASE ASS'Y		1	
006,1	778-07075-90	RECOIL SPRING CASE ASS'Y	1		
006	778-07085-91	SORING CASE ASS'Y		1	1
007	328-07085-20	STARTER BUSH	1	1	1
008,1	774-07075-20	STARTER PULLEY	1		
008,1	774-07085-20	STARTER PULLEY		1	
008,1	774-07027-20	STARTER PULLEY			1
008	774-07085-21	STARTER PULLEY		1	
009	182-07085-20	SPECIAL WASHER 5.2X15	1	1	1
010	990-72050-144	TAPPING SCREW 5X14	1	1	1
011	991-01080-011	HEX. NUT 8			1
012	994-64040-185	HEX. HOLE BOLT 4X18WS			4
013	806-07027-20	STARTER BASE			1
014	806-07070-20	STARTER BASE	1		
015	806-07120-20	STARTER BASE		1	
016	990-73045-144	TAPPING SCREW 4.5X14	3	3	3
017	994-64040-125	HEX. HOLE BOLT 4X12WS		4	
020	798-07085-90	STARTER PULLEY ASS'Y	1	1	1
021	991-91050-001	SQUARE NUT 5		1	
022	915-07078-20	STARTER MARK (S·START)	1	1	1
060	314-07070-20	SPECIAL BOLT	1		