

# **Tanaka** Illustrated Parts Manual

Model Number:

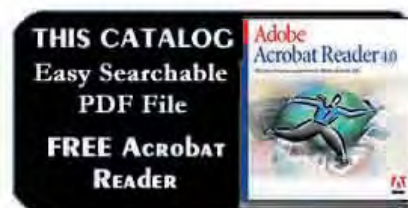
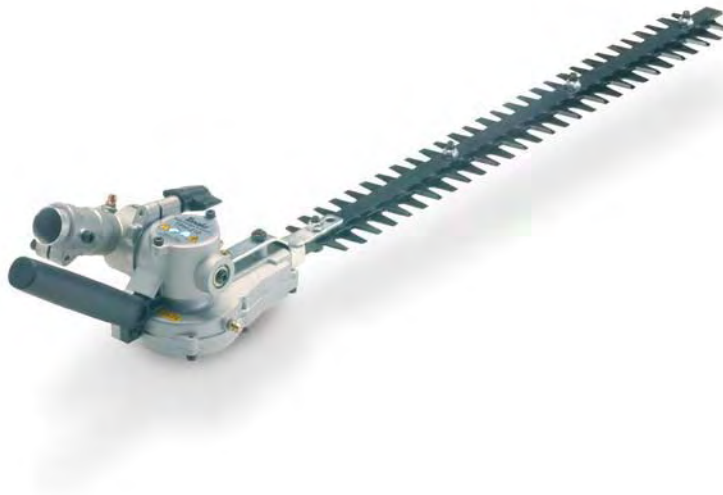
**TPH-200/210**

**HEDGETRIMMER ATTACHMENT**

P/N 31778

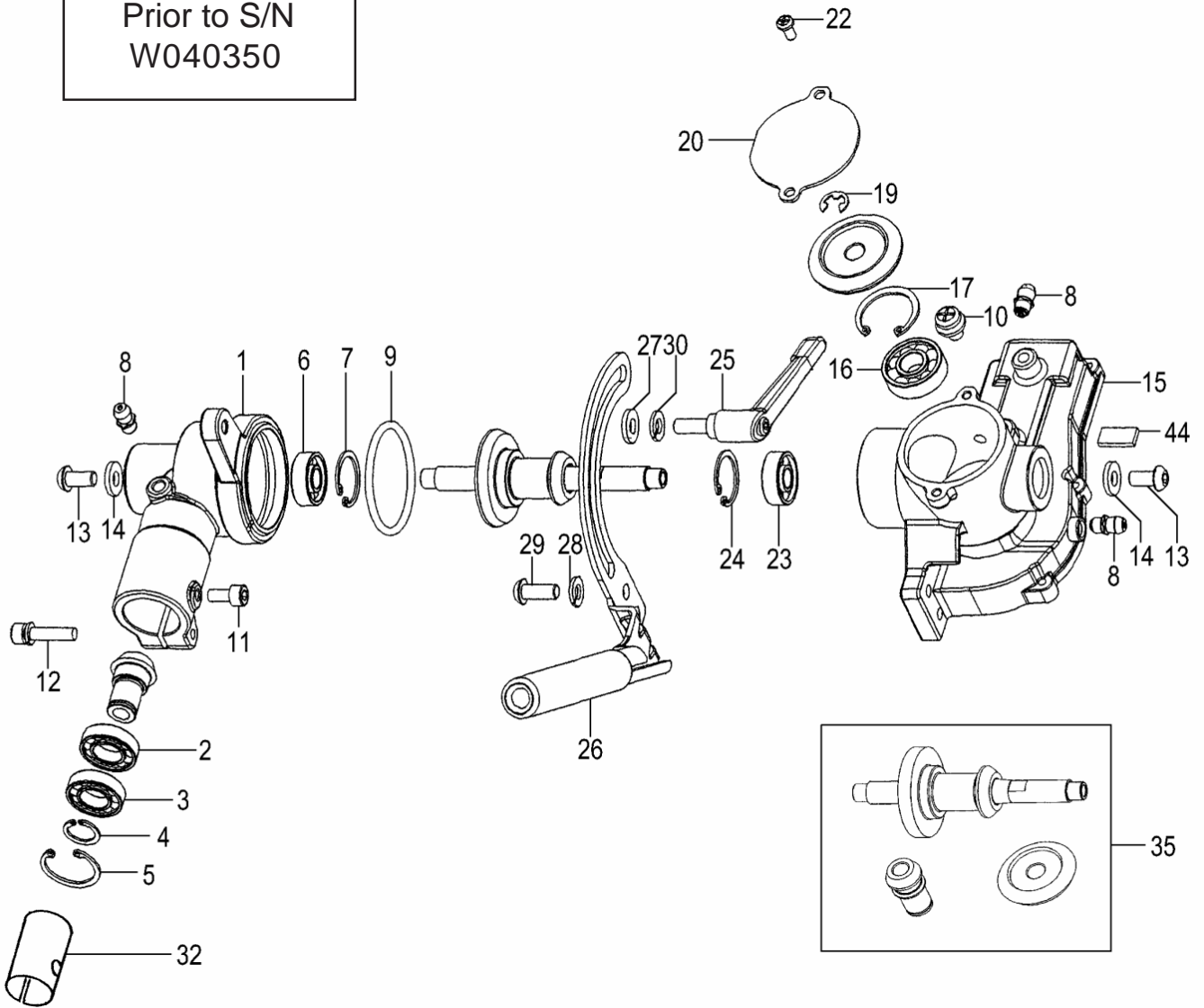
Rev 000

Date 1-14-08



Nikko Tanaka Engineering U.S.A.,Ltd. • 1028 4<sup>th</sup> Street SW, Bldg B • Auburn, WA 98001 • Phone: (253) 333-1200 • Fax: (253) 333-1212

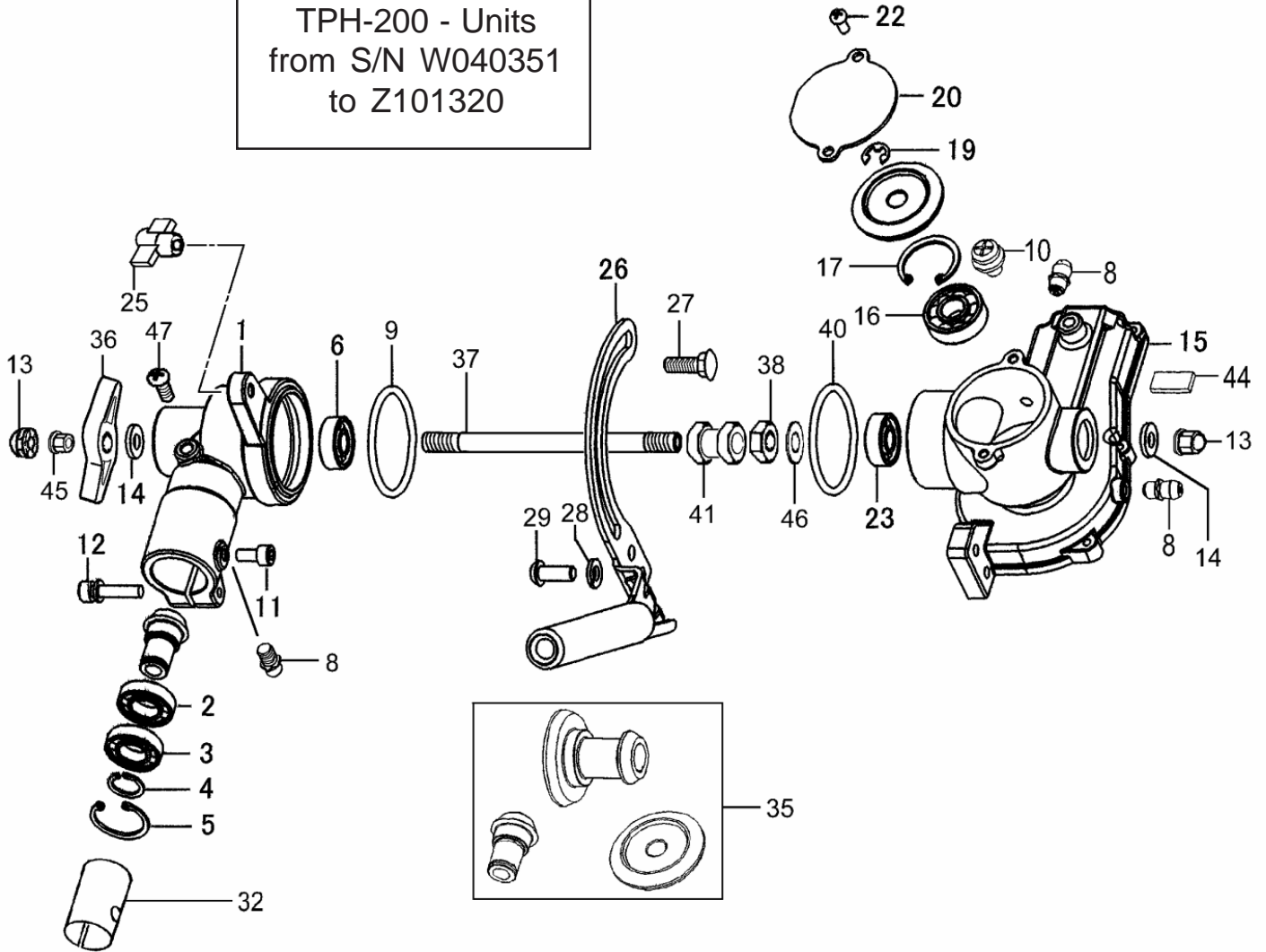
TPH-200 Units  
Prior to S/N  
W040350



### GEAR CASE, ADJUSTING HANDLE, GEARS • FIGURE 1

ITEM	PART NUMBER	DESCRIPTION	QTY	COMMENTS
1-1	3003228520	GEAR,CASE,A	1	
1-2	99961690100	BEARING,BALL,#6901	1	
1-3	99961690101	BEARING,BALL,#6901ZZ	1	
1-4	99352012002	RING,STOP,S12,OUTER	1	
1-5	99351024002	RING,STOP,C-24,IN	1	
1-6	99961608002	BEARING,BALL,#608Z	1	
1-7	99351022002	RING,STOP,C22,IN	1	
1-8	30032250801	FITTING,GREASE	3	
1-9	99967041000	O-RING,P-41	1	
1-10	99413060101	SCREW,PLUS,6x10P	1	U228059~
1-11	99051050103	BOLT,HEX.HOLE,5X10	1	
1-12	99461050224	BOLT,HEX HOLE 5x22/S	1	
1-13	99053060125	SCREW,HEX HOLE 6X12	2	
1-14	87132600200	WASHER,SPECIAL,B	2	
1-15	3013228022	CASE,GEAR B	1	~U228058
1-15	3013228025	GEAR CASE	1	U228059~
1-16	99961600004	BEARING,BALL,#6000DD	1	
1-17	99351026002	RING,STOP,IN,C-26	1	
1-19	99355060000	RING,STOP,E6	1	
1-20	3273228020	COVER,GEAR CASE A	1	
1-22	99011040081	SCREW,4X8	2	
1-23	99961608002	BEARING,BALL,#608Z	1	
1-24	99351022002	RING,STOP,C22,IN	1	
1-25	0493228080	HANDLE	1	
1-26	0333228081	GUIDE,SLIDE	1	
1-27	87132600200	WASHER,SPECIAL,B	1	
1-28	99210060062	WASHER,S,6	2	
1-29	99053060153	BOLT,HEX,6X15	2	
1-30	99210060062	WASHER,S,6	1	
1-32	34833130200	COLLAR,B	1	
1-35	3023228600	GEAR & PINION SET	1	
1-44	0863228620	SEAL,GREASE,B	1	U288322~

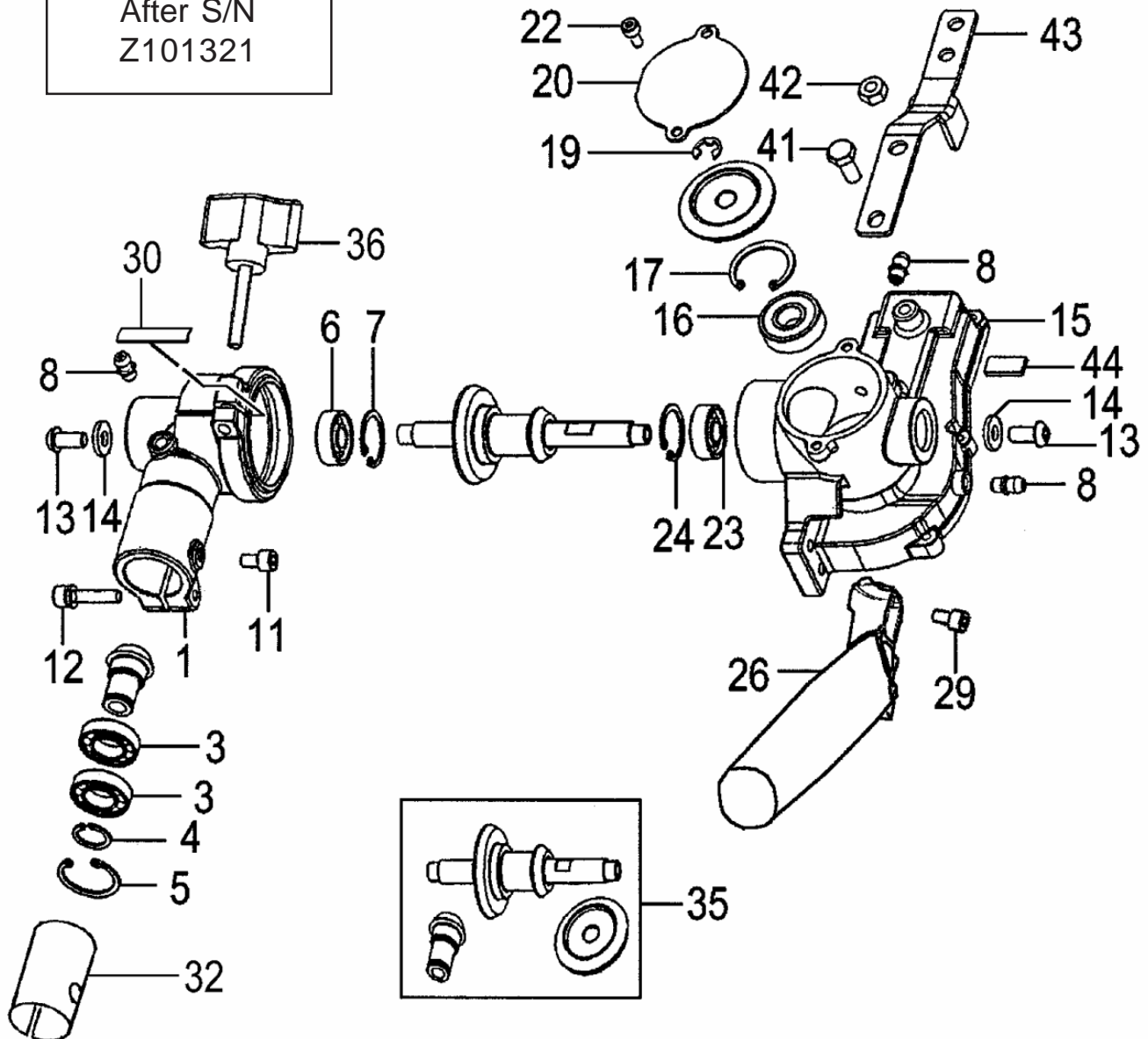
TPH-200 - Units  
from S/N W040351  
to Z101320



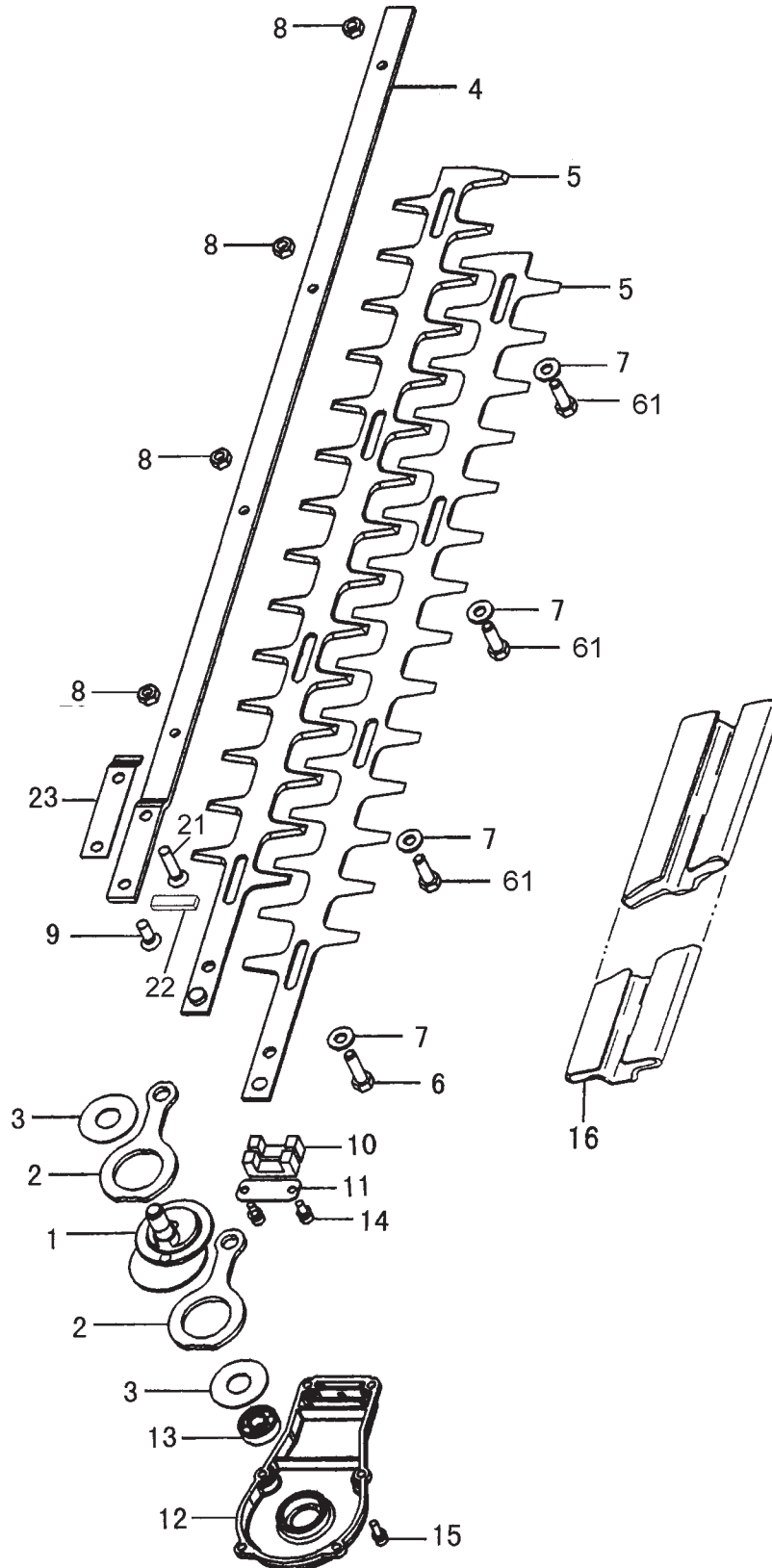
### GEAR CASE, ADJUSTING HANDLE, GEARS • FIGURE 2

ITEM	PART NUMBER	DESCRIPTION	QTY	COMMENTS
2-1	3003228521	CASE,GEAR,A	1	
2-3	99961690101	BEARING,BALL,#6901ZZ	2	
2-4	99352012002	RING,STOP,S12,OUTER	1	
2-5	99351024002	RING,STOP,C-24,IN	1	
2-6	99961608013	BEARING,BALL,#608Z	1	
2-8	30032250801	FITTING,GREASE	3	
2-9	99967041000	O-RING,P-41	1	
2-10	99413060101	SCREW,PLUS,6x10P	1	
2-11	99051050103	BOLT,HEX.HOLE,5X10	1	
2-12	99461050224	BOLT,HEX HOLE 5x22/S	1	
2-13	99144080022	NUT,FLANGE 8	2	
2-14	0273180020	WASHER	2	
2-15	3013228620	CASE,GEAR B	1	
2-16	99961600014	BEARING,BALL,#6000DD	1	
2-17	99351026002	RING,STOP,IN,C-26	1	
2-19	99355060000	RING,STOP,E6	1	
2-20	3273228020	COVER,GEAR CASE A	1	
2-22	99011040081	SCREW,4X8	2	
2-23	99961608013	BEARING,BALL,#608Z	1	
2-25	5123228580	KNOB,HANDLE	1	
2-26	0333228081	GUIDE,SLIDE	1	
2-27	1963228520	BOLT,SPECIAL	1	
2-28	99210060062	WASHER,S,6	2	
2-29	99053060153	BOLT,HEX,6X15	2	
2-32	34833130200	COLLAR,B	1	
2-35	3023228200	SET,GEAR & PINION	1	
2-36	5123229820	KNOB,HANDLE	1	
2-37	3053228222	SHAFT,GEAR	1	
2-38	3813228920	NUT,SPECIAL	1	
2-40	0713228221	SHIM	1	
2-40	0713228222	SHIM	1	
2-40	0713228223	SHIM	1	
2-41	0963228920	COLLAR,26.8	1	
2-44	0863228620	SEAL,GREASE,B	1	
2-45	12132530200	NUT,CLAMP,BAR	1	
2-46	7603228220	WASHER,1.6	1	
2-47	99431060081	SCREW,6X8	1	

TPH-210 Units  
After S/N  
Z101321



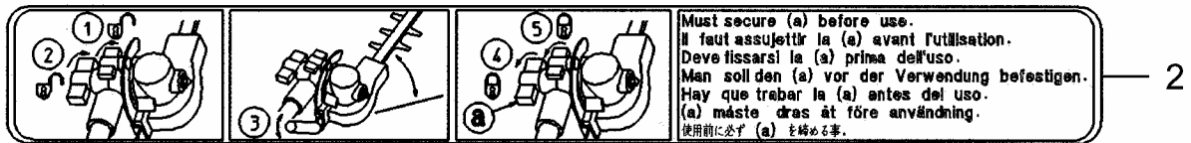
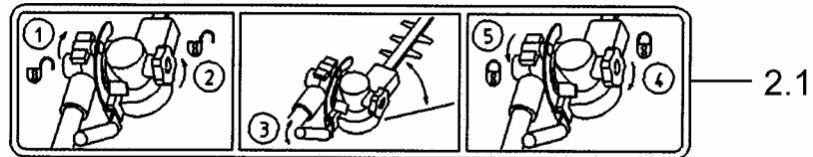
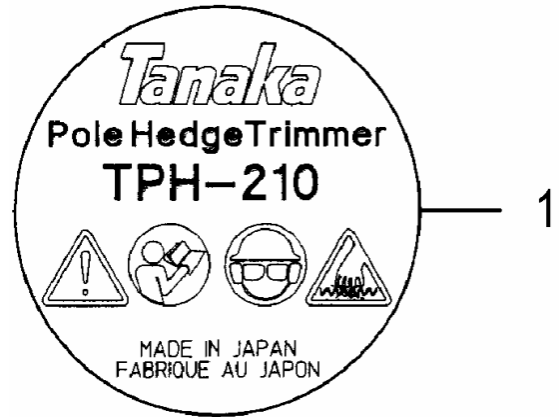
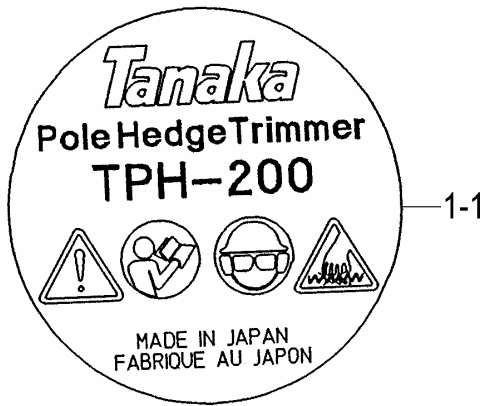
ITEM	PART NUMBER	DESCRIPTION	QTY	COMMENTS
3-1	3003223020	CASE, GEAR, A, 26mm	1	
3-3	99961690101	BEARING, BALL, #6901ZZ	2	
3-4	99352012002	RING, STOP, S12, OUTER	1	
3-5	99351024002	RING, STOP, C-24, IN	1	
3-6	99961608013	BEARING, BALL, #608Z	1	
3-7	99351022002	RING, STOP, C22, IN	1	
3-8	30032250801	FITTING, GREASE	3	
3-11	99051050103	BOLT, HEX. HOLE, 5X10	1	
3-12	99461050254	BOLT, HEX HOLE, 5X25S	1	
3-13	99053060125	SCREW, HEX HOLE 6X12	2	
3-14	87132600200	WASHER, SPECIAL, B	2	
3-15	3013228620	CASE, GEAR B	1	
3-16	99961600014	BEARING, BALL, #6000DD	1	
3-17	99351026002	RING, STOP, IN, C-26	1	
3-19	99355060000	RING, STOP, E6	1	
3-20	3273228020	COVER, GEAR CASE A	1	
3-22	99051040085	BOLT, HEX, 4x8	2	
3-23	99961608013	BEARING, BALL, #608Z	1	
3-24	99351022002	RING, STOP, C22, IN	1	
3-26	2103228620	HANDLE	1	
3-29	99053060153	BOLT, HEX, 6X15	2	
3-30	0883228720	SEAL, D	1	
3-32	34833130200	COLLAR, B	1	
3-35	3023228600	GEAR & PINION SET	1	
3-36	5123228680	KNOB, HANDLE, A	1	
3-41	99023060141	BOLT, PLUS, 6X14	1	
3-42	99101060041	NUT, 6	1	
3-43	4623228620	PLATE, SUPPORT	1	
3-44	0863228620	SEAL, GREASE, B	1	





### BLADES, CUTTER GUIDE, BLADE HARDWARE • FIGURE 4

ITEM	PART NUMBER	DESCRIPTION	QTY	COMMENTS
4-1	1003228280	SHAFT,CAM	1	
4-2	1013316022	ROD,CAM	2	
4-3	0753228020	PLATE,GUIDE	2	
4-4	1223316021	GUIDE,CUTTER 625MM	1	~Z101320
4-4	1223228721	GUIDE,CUTTER	1	Z101321~A290200
4-4	1223228621	GUIDE,CUTTER	1	A290201~
4-5	CB-21A	BLADE,A,DS,22"	2	~U228058
4-5	1203228721	BLADE,A,DS,22"	2	U228059~
4-6	1243320221	BOLT,CUTTER FIXING,A	4	~A290200
4-6	1243228720	BOLT,FIXING,A	1	A290201~
4-7	12933202201	WASHER,7	4	
4-8	1233317A20	NUT,SPECIAL	4	~A290200
4-8	99182060001	NUT,FLANGE,6	4	A290201~
4-9	99052060165	BOLT,HEX,6X16	2	~Z101320
4-9	99052060165	BOLT,HEX,6X16	1	Z101321~
4-10	08533160200	SEAL,GREASE A	2	~Z101320
4-10	0853228620	SEAL,GREASE,A	2	Z101321~
4-11	1053228020	HOLDING,PLATE	1	
4-12	3283228021	COVER,GEAR CASE B	1	~U203600
4-12	3283228022	COVER,GEAR CASE	1	U203601~
4-13	99961608013	BEARING,BALL,#608Z	1	
4-14	99461040104	BOLT,HEX,4X10,S	2	
4-15	99461040124	BOLT,HEX,4X12	6	
4-16	13833160200	COVER,CUTTER,22"	1	~Z101320
4-16	1383316820	COVER,CUTTER,22"	1	Z101321~
4-21	99052060255	BOLT,HEX FLUSH,6X25	1	Z101321~
4-22	0873228620	SEAL,C	1	Z101321~
4-23	2963228620	SPACER	1	Z101321~
4-61	1253228720	BOLT,CUTTER FIXING,B	3	A290201~



ITEM	PART NUMBER	DESCRIPTION	QTY	COMMENTS
5-1-1	9193228020	DECAL, CAUTION	1	~Z101320
5-1	9193233120	DECAL, CAUTION, TPH-210	1	Z101321~
5-2-1	9203228520	DECAL, CAUTION B	1	V258937~
5-2-1	9203228520	DECAL, CAUTION B	1	~W040350
5-2	9203228521	DECAL, CAUTION B	1	W040351~