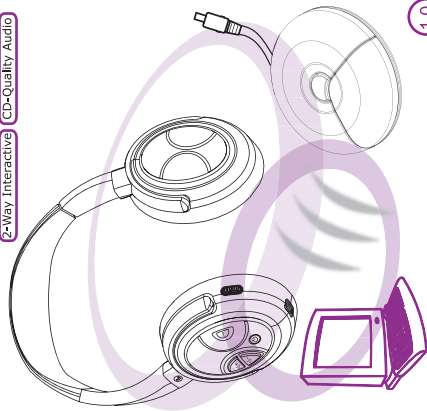


Wireless PC USB Headset

KA-1

USB Plug & Play Noise Free
2-Way Interactive CD-Quality Audio



1.0

4

Specification

Model	KA-1
Wireless Technology	WiStereo™ for advanced 2-way digital transmission in the 2.4 GHz frequency band
Listen Time (per charge)	Approximately 15 hours
Talk Time (per charge)	Approximately 12 hours
Standby Time	Approximately 3 months
Charge Time (full charge)	Approximately 3 hours
Distance of Use	100 feet
Headset Weight	7.9 ounces
Charging Method	Through PC USB port
Battery Type	Lithium Polymer
Frequency Response	20Hz-30,000Hz (perfect for all music, game, and voice)
Audio Quality	Uncompressed audio for music (CD-quality) and voice (extra clarity)
Distortion (T.H.D.)	<math><0.08\%</math> (professional grade audio performance)
Speaker Drivers	2 on each side for full-range audio and 30mm Neodymium for left/right channels 40mm Neodymium for subwoofer technology
Speaker Drivers	sub-woofer enhancement with SafeBass® technology

P/N: E728924003

1

Certification and Safety Approvals

KA-1 is the world first digital wireless headset that uniquely delivers the 2.1-channel audio performance with extra sound clarity and soft, deep bass effects. It provides a voice back channel that allows you to talk in conjunction with any kinds of PC voice applications. Examples of such applications include Skype, MSN, on-line gaming, and more. With the high performance audio and the unique feature set, KA-1 brings you a great value. To start, we like to introduce to you the important certification and safety approvals on this headset.

FCC Statement

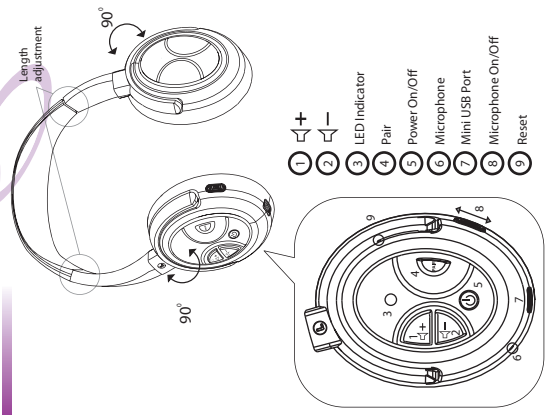
This device complies with part 15 of the FCC rules. Operation is subject to the following two conditions: (1) This device may not cause harmful interference, and (2) This device must accept any interference received, including interference that may cause undesired operation.

CE

This product is CE marked according to the provisions of the R&TTE Directive. (99/5/EC)

5

Parts Introduction



2

Unique Features

- Unique 2.1-Channel design - Each ear cup contains 2 speakers for extra clarity and deep bass performance.
- USB Plug-and-Play wireless headset that supports PC music/game sounds and back-channel voice simultaneously, no need to switch back and forth.
- USB Puck direct plug-in to the PC for instant use of VoIP, on-line game, DVD, and all kinds of entertainment running Windows 2000/XP, Macintosh OS/10.4 and Linux Fedora 4, 5, and 6 operating systems.
- Ease of use, no software installation needed.
- Long standing use, over 15 hours of continuous listening time per charge.
- Easy charging through USB ports.
- Microphone switch on/off control.
- Built-in noise canceling microphone for superior voice quality.
- 100 feet distance of effective use.
- Equipped with SafeBass® safe resonance technology.

6

1

Press to increase the headset volume.

2

Press to decrease the headset volume.

3

LED Indicator

A red indicator represents power functions.

A green indicator represents signal connections.

4

Pair

Press pair button to connect the wireless headset and the USB Puck.

5

Power On/Off

Press this button to control power on/off.

6

Microphone

Receives voice input when the microphone is switched on.

7

Mini USB Port

Connect USB charging cable to PC for recharging.

8

Microphone On/Off

Switch the button to control microphone on/off.

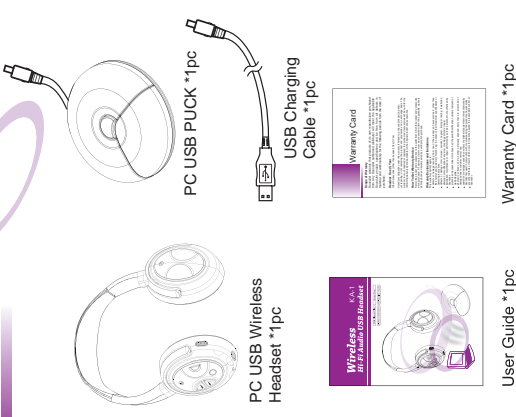
9

Reset

Press to reset the headset, in case this headset is not functioning properly.

3

Product Accessories



7

User Guide Symbols

Steady red light



- The headset is charging

Steady green light



- Devices are paired

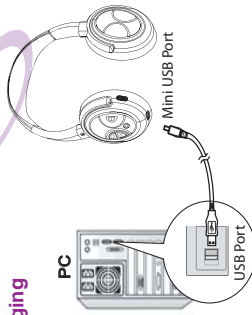
Flashing green light



- Devices are waiting for pairing
- Devices are not paired

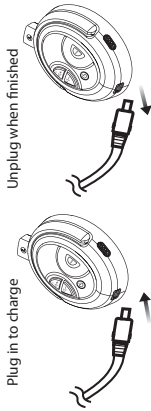
Getting Started

Charging



- **First time use** : Charge 4 hours before using the headset.

Plug in to charge



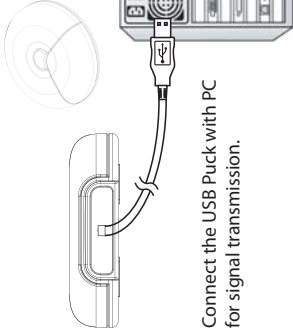
- **Regular use** : Charge the headset approximately 2.5 hours if the battery was completely used up.

The headset is charging



- Steady red light is turned off when the headset is fully charged.
- To ensure this headset to work properly, please avoid recharging while using.

Connect the USB Puck



Connect the USB Puck with PC for signal transmission.

Turn on/off the headset



- Power on : Press the power button to turn on the headset.
- Power off : Press and hold the power button for 2 sec. to turn off the headset.

Pairing the headset to the USB Puck



Press **PAIR** button to connect the signal transmission.



Devices are waiting for pairing

Unplug the USB charging cable if any of the following conditions exist

- The USB cable or plug has become frayed or damaged.
- The USB cable has been exposed to rain, liquids, or excessive moisture.
- You suspect the headset needs service or repair.
- You want to clean the headset.

Avoiding hearing damage

Permanent hearing loss may occur if a headset is used at high volume. Set the volume to a safe level. You can adapt over time to a higher volume of sound that may sound normal but can be damaging to your hearing. If you experience ringing in your ears or muffled speech, stop listening and have your hearing checked. The louder the volume, the less time is required before your hearing could be affected.

Troubleshooting

No signal connection to the headset

Make sure the headset is charged and the USB Puck is properly connected to the PC. Within the range of signal coverage, power on the headset again.

The headset is automatically switched off

The battery is too low. The indicator light on the headset is off.

Unexpected behavior

Reset the headset. (see p.5)

Important User Information

Handling the headset

Do not bend, drop, crush, puncture, incinerate, or open the headset.

Repairing the headset

Never attempt to repair the headset yourself. The headset does not contain any user serviceable parts. For service information, choose the headset help from the warranty card. The rechargeable battery in the headset should be replaced only by authorized service providers.

No audio at the headset

- Check the headset and the computer volume control. Make sure they are not in the lowest volume level or muted.
- Check the pair status of the USB Puck and the headset. Make sure two devices are paired properly.
- Check if the PC Media Player is properly installed, and audio file is playable.
- The listening party can not hear you over the internet. Check if the microphone switch is on.

FEDERAL COMMUNICATIONS COMMISSION INTERFERENCE STATEMENT

These limits are designed to provide reasonable protection against harmful interference in a residential installation. This equipment generates, uses and can radiate radio frequency energy and, if not installed and used in accordance with the instructions, may cause harmful interference to radio communications. However, there is no guarantee that interference will not occur in a particular installation. If this equipment does cause harmful interference to radio or television reception, which can be determined by turning the equipment off and on, the user is encouraged to try to correct the interference by one or more of the following measures:

- Reorient or relocate the receiving antenna.
- Increase the separation between the equipment and receiver.
- Connect the equipment into an outlet on a circuit different from that to which the receiver is connected.
- Consult the dealer or an experienced radio/ TV technician for help.

CAUTION:

Any changes or modifications not expressly approved by the grantee of this device could void the user's authority to operate the equipment.

RF exposure warning

The equipment complies with FCC RF exposure limits set forth for an uncontrolled environment.

The equipment must not be co-located or operating in conjunction with any other antenna or transmitter "