

NEC-i ORDERING TERMINAL

User Booklet

NEC Infrontia Corporation
Web Terminal division

1. Unpacking

Carefully unpack the ordering terminal and its included accessories. At the first, please confirm whether there are any discrepancies or problems.

Package contents

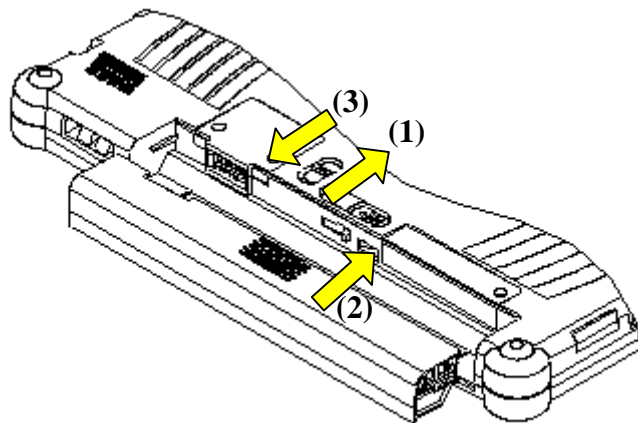
- (1) Ordering terminal
- (2) Battery pack
- (3) Shoulder belt
- (4) Number seal(1 to 6)
- (5) Warranty sheet
- (6) PL booklet
- (7) Software license agreement

2. Powering the terminal

2.1 Changing the battery pack

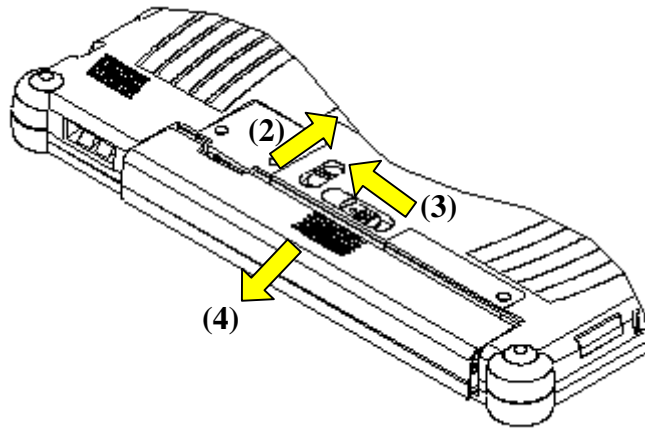
Setting

- (1) Release the battery lock.
- (2) Slide the battery pack into the compartment.
- (3) Set the battery lock.



Removing

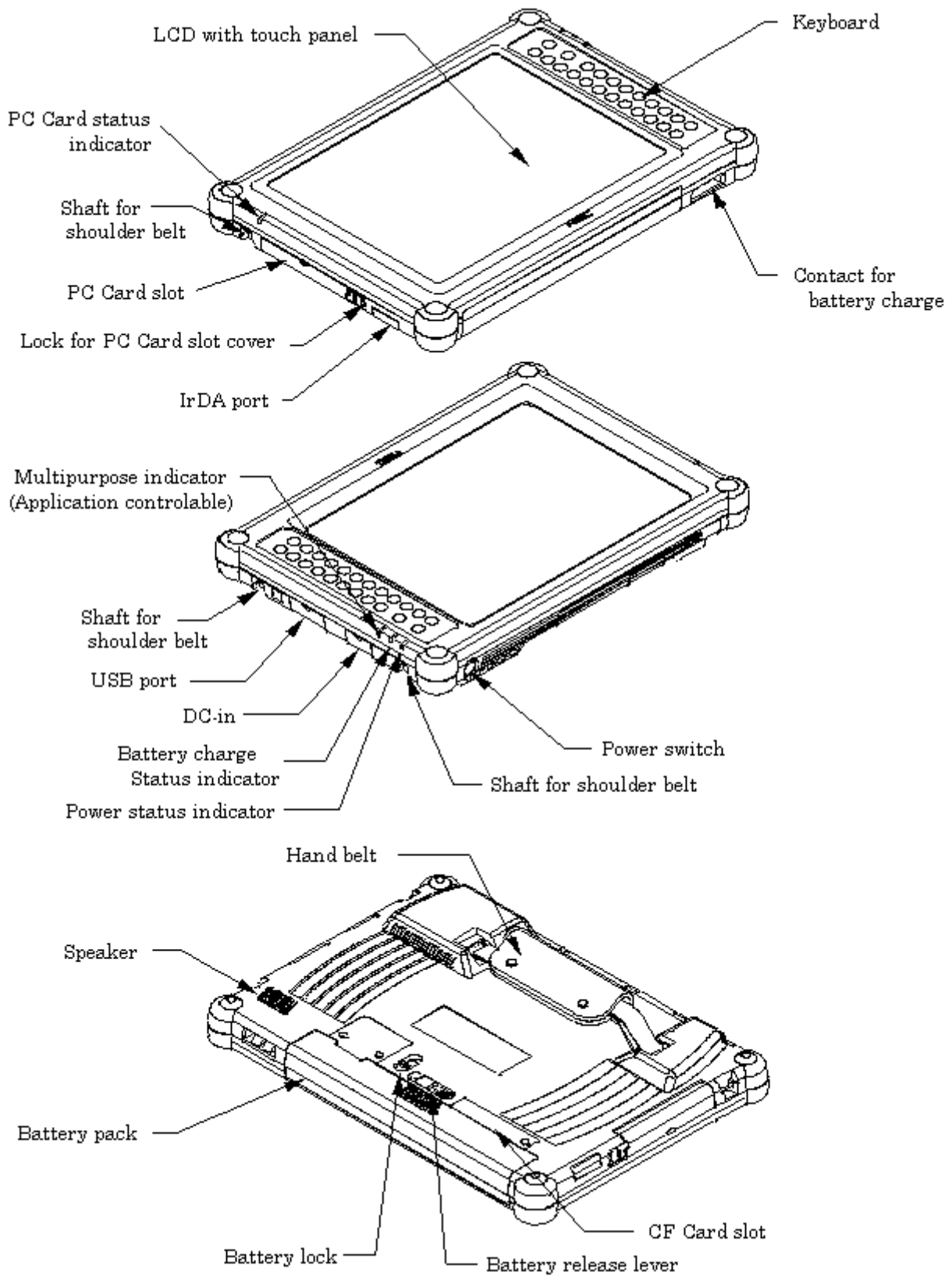
- (1) Turn the system off (Refer 2.2).
- (2) Release the battery lock.
- (3) Slide the battery release lever to the left.
- (4) Pull the battery pack out of the compartment.



2.2 Power ON/OFF

Press the power switch for a short time to turn the terminal on after the battery is set. Execute a shut down command prepared in the application to turn the terminal off.

3. OVER VIEW



3.1 Indicators

Indicator	Color	Description
Power status	Green	System power on and battery fully charged
	Orange	System power on and battery power is low.
	Red	System power on and battery power is critically low.
Battery charge status	Green	Battery charge has complete.
	Orange	Battery in charge.
	Red	Error (ex. not equip battery pack).
PC Card status	Orange	PC Card is accessible.

3.2 Key assignment

Print	Key name	Print	Key name
取消	ESC	確認	Y
0	0	1	1
2	2	登録 (次)	Enter
3	3		
4	4	戻る	Left CTRL
5	5	6	6
7	7	8	8
9	9	前頁	
機能 1	F8	次頁	
機能 2	F7	左頁	
機能 3	F9	右頁	
ボタン移動		終了	N

3. SPECIFICATIONS

		S1577-11 (Wireless LAN model)	S1577-01 (Standard Model)
CPU		Geode™ SC3200 266MHz	
RAM		128MB SDRAM	
Display		10.4" TFT LCD, SVGA(800x600), 16bit color	
Touch panel		Analog resistance film	
Keyboard		23 Keys(numeric key + function key)	
Storage		256MB Compact Flash	
Wireless LAN		IEEE802.11b	——
I/O interface	PC Card slot	TypeII x 1(complied to PCMCIA2.1)	
	RS-232C	1	
	USB	USB1.1 x 1	
	Infrared	IrDA1.1 x 1	
Audio		Internal speaker(monaural)	
Main battery		Re-chargeable Lithium-Ion(11.1V, 2000mAh)	
	Battery life	about 2 hours	about 2.5 hours
	Charge time	2.5 hours	
Sub battery		Re-chargeable Ni-MH	
	Battery life	about 30 minutes	
	Charge time	40 hours	
AC adapter(option)		INPUT : AC 100-240V, 84-120VA, 50-60Hz OUTPUT : DC16V, 2.5A	
Conditions	Temperature	Operation : 5 - 35degrees, Storage : -10 - 60degrees	
	Humidity	Operation : 35 - 85%, Storage : 35 - 85%	
Dimension		297 x 210 x 29(max 40) mm	
Weight		about 1.35Kg	about 1.3Kg
Operating system		Microsoft® Windows®98	
Pre-installed software		IE5.5 sp2, MS Java VM, Outlook Express	IE5.5 sp2, Outlook Express

Federal Communications Commission (FCC) Statement

You are cautioned that changes or modifications not expressly approved by the party responsible for compliance could void the user's authority to operate the equipment.

This equipment has been tested and found to comply with the limits for a Class B digital device, pursuant to part 15 of the FCC rules. These limits are designed to provide reasonable protection against harmful interference in a residential installation. This equipment generates, uses and can radiate radio frequency energy and, if not installed and used in accordance with the instructions, may cause harmful interference to radio communications. However, there is no guarantee that interference will not occur in a particular installation. If this equipment does cause harmful interference to radio or television reception, which can be determined by turning the equipment off and on, the user is encouraged to try to correct the interference by one or more of the following measures:

- Reorient or relocate the receiving antenna.
- Increase the separation between the equipment and receiver.
- Connect the equipment into an outlet on a circuit different from that to which the receiver is connected.
- Consult the dealer or an experienced radio/TV technician for help.

You are cautioned that changes or modifications not expressly approved by the party responsible for compliance could void your authority to operate the equipment.

FCC RF Radiation Exposure Statement:

This Transmitter must not be co-located or operating in conjunction with any other antenna or transmitter.