

Models BC10/BW11

Razzle Blender

Operating Instructions

052544-M



2/1/01

Complete this page for quick reference when service is required:

Taylor Distributor: _____

Address: _____

Phone: _____

Service: _____

Parts: _____

Date of Installation: _____

Information found on the data label:

Model Number: _____

Serial Number: _____

Electrical Specs: Voltage _____ Cycle _____

Phase _____

Maximum Fuse Size: _____ A

Minimum Wire Ampacity: _____ A

© February, 2001 Taylor
All rights reserved.
052544-M



*The word Taylor and the Crown design
are registered trademarks in the United States
of America and certain other countries.*

Taylor Company
750 N. Blackhawk Blvd.
Rockton, IL 61072

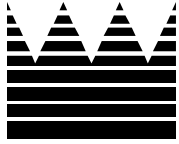


Table of Contents

| | | |
|------------------|---|----|
| Section 1 | To the Installer | 1 |
| | Electrical Connections | 1 |
| | Foot Pedal Instructions | 1 |
| Section 2 | To the Operator | 2 |
| | Warranty on Taylor Blenders | 2 |
| Section 3 | Safety | 3 |
| Section 4 | Operator Parts Identification | 6 |
| | BC10 | 6 |
| | BW11 | 8 |
| | Accessories | 10 |
| | Optional Dispensers | 11 |
| | Optional Large Candy Dispenser Canister Assembly (X53638-1) | 17 |
| | Optional Small Candy Dispenser Canister Assembly (X53638-2) | 18 |
| Section 5 | Important: To the Operator | 19 |
| | Control Switch | 19 |
| | Foot Pedal | 19 |
| | Reset Switch | 19 |
| | Splash Guard | 19 |
| | Motor | 20 |
| | Permanent Agitator | 20 |
| Section 6 | Operating Procedures | 21 |
| | Mixing Instructions | 21 |
| | Cleaning | 22 |
| | Permanent Agitator Cleaning | 23 |
| | Sanitizing | 23 |
| Section 7 | Parts List | 24 |
| | Wiring Diagram | 30 |

Note: Continuing research results in steady improvements; therefore, information in this manual is subject to change without notice.

Section 1

To the Installer

This machine is designed for indoor use only.



DO NOT install the machine in an area where a water jet could be used to clean or rinse the machine. Failure to follow this instruction may result in serious electrical shock.

Electrical Connections

Each unit requires one power supply. Check the data labels on the unit for fuse, wire ampacity and electrical specifications. Refer to the wiring diagram for proper power connections.

In the United States, this equipment is intended to be installed in accordance with the National Electrical Code (NEC), ANSI/NFPA 70-1987. The purpose of the NEC code is the practical safeguarding of persons and property from hazards arising from the use of electricity. This code contains provisions considered necessary for safety. Compliance therewith and proper maintenance will result in an installation essentially free from hazard!

In all other areas of the world, equipment should be installed in accordance with the existing local codes. Please contact your local authorities.

Stationary appliances which are not equipped with a power cord and a plug or other device to disconnect the appliance from the power source must have an all-pole disconnecting device with a contact gap of at least 3 mm installed in the external installation.



CAUTION: THIS EQUIPMENT MUST BE PROPERLY GROUNDED! FAILURE TO DO SO CAN RESULT IN SEVERE PERSONAL INJURY FROM ELECTRICAL SHOCK!

Foot Pedal Instructions

To use the momentary foot pedal to control the mixer, connect the foot pedal to a grounded wall outlet. Plug the mixer cord into the back of the foot pedal plug. In this mode, both the control switch and the foot pedal must be activated. Leave the control switch in the "ON" position when you wish to use the momentary foot control. Make sure the foot control is kept where it will not be activated accidentally. The foot guard is an additional design feature which helps prevent accidental use of the foot pedal.

Section 2

To the Operator

The mixer you have purchased has been carefully engineered and manufactured to give you dependable operation. Mixing various candies, cookies, fruits, nuts, liquid flavors, and other food items into ice cream or frozen yogurt has made unlimited flavor combinations and product textures available.

The development of counter and wall mount mixers have made this unlimited resource available to even very small retail outlets and to those facilities where counter space is limited.

The mixer, when properly operated and cared for, will produce a consistent, quality product. Like all mechanical products, it will require cleaning and maintenance. A minimum amount of care and attention is necessary if the operating procedures outlined in this manual are followed closely.

This Operator's Manual should be read before operating or performing any maintenance on your equipment.

In the event that you should require technical assistance, please contact your local authorized Taylor Distributor.

NSF approvals of the Models BC10 and BW11 were obtained by the Vita-Mix Corporation, 8615 Usher Road, Cleveland, Ohio 44138.



If the crossed out wheeled bin symbol is affixed to this product, it signifies that this product is compliant with the EU Directive as well as other similar legislation in effect after August 13, 2005. Therefore, it must be collected separately after its use is completed, and cannot be disposed as unsorted municipal waste.

The user is responsible for returning the product to the appropriate collection facility, as specified by your local code.

For additional information regarding applicable local laws, please contact the municipal facility and/or local distributor.

Warranty on Taylor Blenders

Caution: This warranty is valid **only** if required exchanges are provided by an authorized Taylor Distributor.

Warranty Terms

This warranty covers only defects in material and workmanship under normal use and service. The Taylor Distributor will replace those components that become defective as follows:

- Five years from date of installation for the blender.
- One year from date of installation for the product dispensers.

Not included are the following items:

- Labor, transportation charges, and sales or use taxes associated with the removal and return of the defective part and the installation of the replacement part.
- External power cords, and electrical grounding.
- Wear items: agitator shaft, splash shield, and foot pedal.
- Replacements required because of operator misuse as defined below, fire or other casualty, normal wear or deterioration.

Misuse includes the owner's failure to handle parts properly, resulting in breakage. Misuse is also defined as allowing unauthorized service agents to attempt repair on units.

For validation of warranty, this unit must be registered at the Taylor Company within thirty (30) days of installation.

We at Taylor Company are concerned about the safety of the operator when he or she comes in contact with the blender and its parts. Taylor has gone to extreme efforts to provide built-in safety features to protect both you and the service technician. As an example, warning labels have been attached to the unit to further point out safety precautions to the operator.



IMPORTANT - Failure to adhere to the following safety precautions may result in severe personal injury or death. Failure to comply with these warnings may damage the machine and its components. Component damage will result in part replacement expense and service repair expense. SAVE THESE INSTRUCTIONS FOR FUTURE REFERENCE

To Operate Safely:



DO NOT operate the machine without reading this operator's manual. Failure to follow this instruction may result in equipment damage, poor performance, health hazards, or personal injury.



- **DO NOT** operate the machine unless it is properly grounded.
- **DO NOT** attempt any repairs unless the main power supply to the machine has been disconnected.
- **DO NOT** operate the machine with larger fuses than specified on the data label.
- **DO NOT** operate this appliance if the power cord is damaged.
- **DO NOT** use this appliance outdoors.

Failure to follow these instructions may result in electrocution. Contact your local authorized Taylor Distributor for service.



DO NOT use a water jet to clean or rinse this unit. Failure to follow these instructions may result in serious electrical shock.



- **DO NOT** allow children or untrained personnel to operate this machine.
- **DO NOT** operate the unit unless all service panels and access doors are restrained with screws.
- **AVOID** contact with the agitator shaft and other moving parts.
- **DO NOT** disassemble or install parts unless the control switch is in the "OFF" position.
- Make sure the splash guard is installed prior to operating the appliance.
- Always use the foot pedal guard and avoid accidental use of the foot pedal. When using the foot pedal, make sure the appliance is located where accidental contact with the pedal is not likely. When the mixer is not in use, place the front switch in the "OFF" position to avoid accidental use of the pedal. **(Note: Some international units are not equipped with this feature.)**

Failure to follow these instructions may result in severe personal injury from hazardous moving parts.



DO NOT operate this appliance if it malfunctions or is damaged in any way. Failure to follow this instruction may result in injury or component damage.



Make sure the mixer is level and sitting or mounted solidly on a sturdy surface during operation. Failure to comply may result in personal injury or equipment damage.



DO NOT use attachments not recommended or sold by the Taylor Company. Doing so may cause fire, electric shock, injury, or equipment damage.



DO NOT allow the power cord to hang over the edge of the counter or touch hot surfaces. Failure to comply may result in an electrical fire.



WARNING!

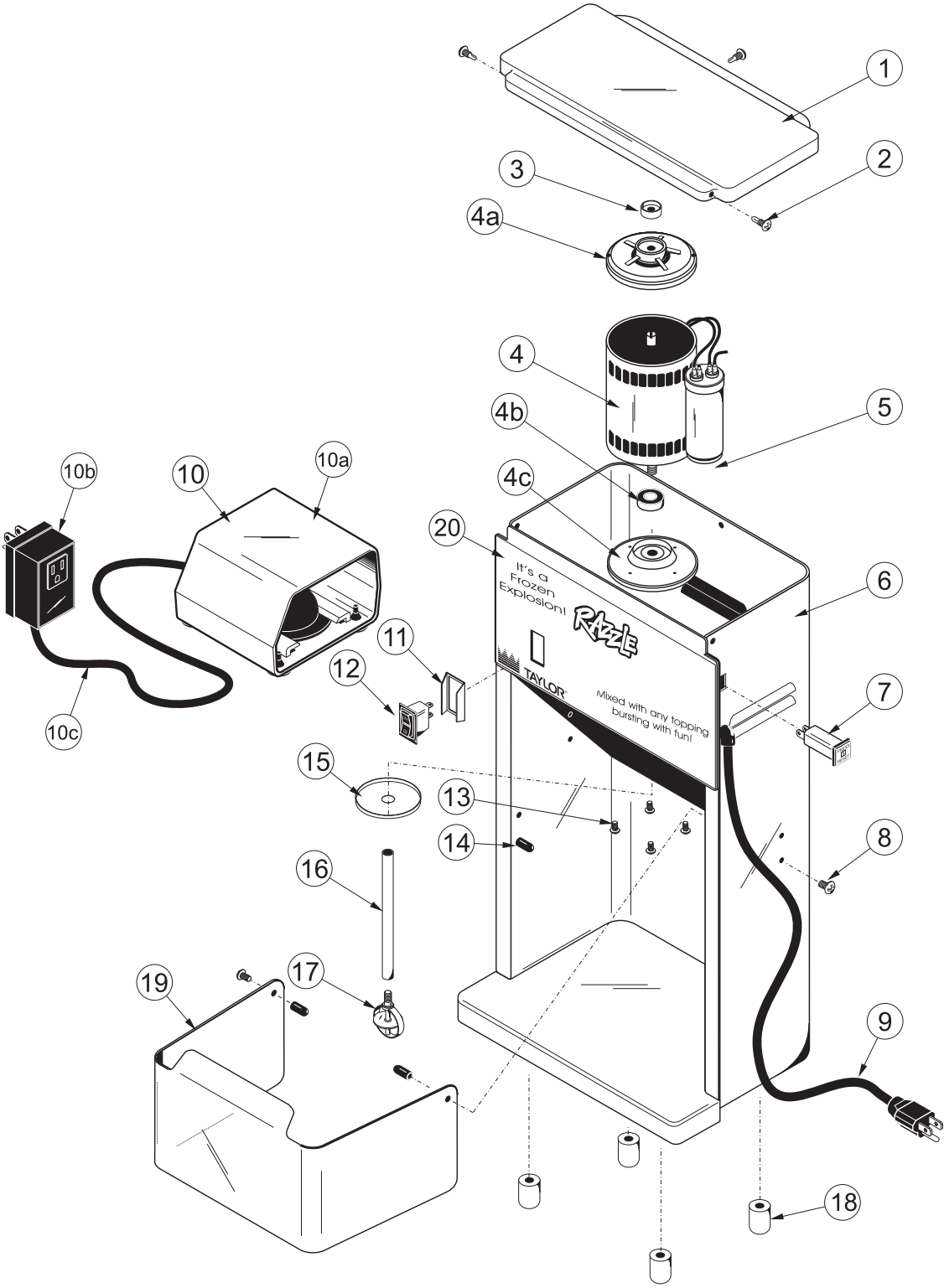
Some consumers are highly allergic to peanuts, peanut oil, and peanut dust. In some severe cases, peanut allergy reactions can cause death. When blending product with peanuts, make sure excess product is cleaned from the agitator shaft to eliminate the fear of product carryover.

NOISE LEVEL: Airborne noise emission does not exceed 78 dB(A) when measured at a distance of 1.0 meter from the surface of the machine and at a height of 1.6 meters from the floor.

Section 4

Operator Parts Identification

BC10



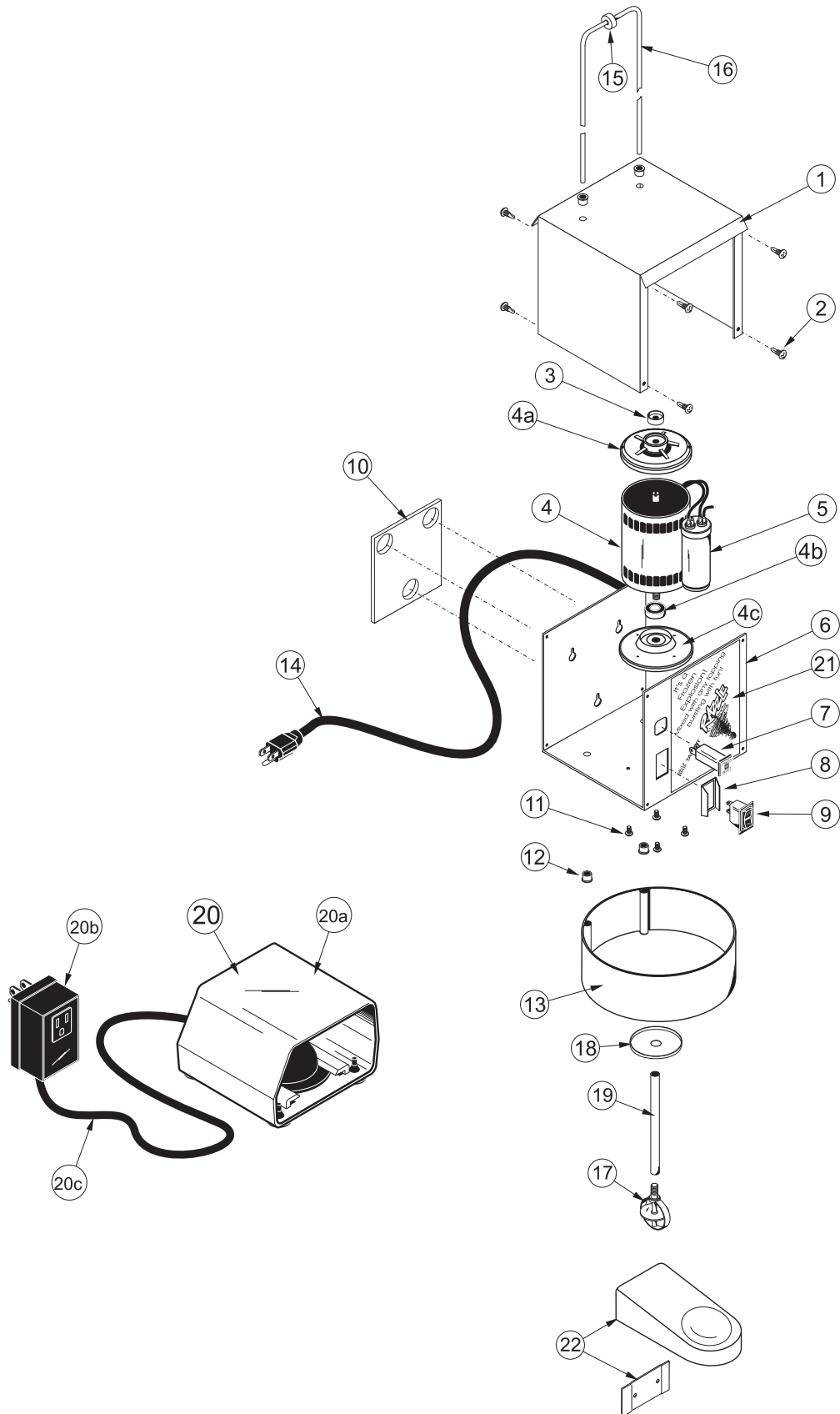
BC10 Exploded View Parts Identification

| ITEM | DESCRIPTION | PART NO. |
|------|------------------------------------|-----------|
| 1 | CAP-MIXER | 051484 |
| 2 | SCREW-MIXER-RETAINER CAP | 051487 |
| 3 | BRAKE (SEAL) MIXER | 051485 |
| 4 | MOTOR-MIXER (120V) | 051481-12 |
| | MOTOR-MIXER (220/240V) | 051481-27 |
| 4a | PLATE-MOTOR MOUNTING TOP | 051481-4 |
| 4b | BEARING-MIXER MOTOR | 051481-2 |
| 4c | PLATE-MOTOR MTG. BOTTOM | 051481-1 |
| 5 | CAPACITOR-MIXER (220/240V) | 051483 |
| | CAPACITOR-MIXER (120V) | 051482 |
| 6 | FRAME-MIXER-STAINLESS STL | 051480 |
| 7 | BREAKER-CIRCUIT-MIXER-3A-120V | 051490 |
| | BREAKER-CIRCUIT-MIXER-5A-220/ 240V | 051489 |
| 8 | SCREW-MIXER-MTG PIVOT PIN | 051508 |
| 9 | CORD-MIXER-18/3 GROUNDED | 051491 |
| 10 | PEDAL-FOOT-MIXER-115V | 052451 |
| 10* | PEDAL-FOOT-MIXER-220V | 053192 |
| 10a | TRANSMITTER FOOT PEDAL | 052451-1 |
| 10b | CONTROLLER-FOOT PEDAL-115V | 052451-2 |

| ITEM | DESCRIPTION | PART NO. |
|------|---------------------------------|----------|
| 10b* | SWITCH-PRESS.-FOOT PEDAL-220V | 053192-1 |
| 10c | TUBE-AIR-FOOT PEDAL | 052451-3 |
| 11 | GUARD-SWITCH-MIXER | 051505 |
| 12 | SWITCH-ROCKER-MIXER | 051488 |
| 13 | SCREW-MIXER-MOTOR MTG | 051493 |
| 14 | PIN PIVOT-MIXER | 051507 |
| 15 | SLINGER-MIXER | 051494 |
| 16 | SHAFT-MIXER-AGITATOR-EXT | 051495 |
| 17 | AGITATOR-MIXER-PERM SOFT | 051497 |
| 18 | FOOT A.-MIXER-PLUGGED | 051500 |
| 19 | GUARD-SPLASH-MIXER | 051499 |
| 20 | LABEL-MIXER-COUNTER-RAZZLE | 052250 |
| * | CAP-CRIMP-MIXER | 051504 |
| * | JUMPER WIRES-MIXER | 051486 |
| * | MANUAL-OPERATOR-MIXER | 052544-M |
| * | RELIEF-STRAIN-MIXER-R ANGLE | 051492 |
| * | TAB INSULATOR-MIXER (CAPACITOR) | 051509 |
| * | TIES-CABLE-MIXER (CAPACITOR) | 051502 |

* NOT SHOWN

BW11



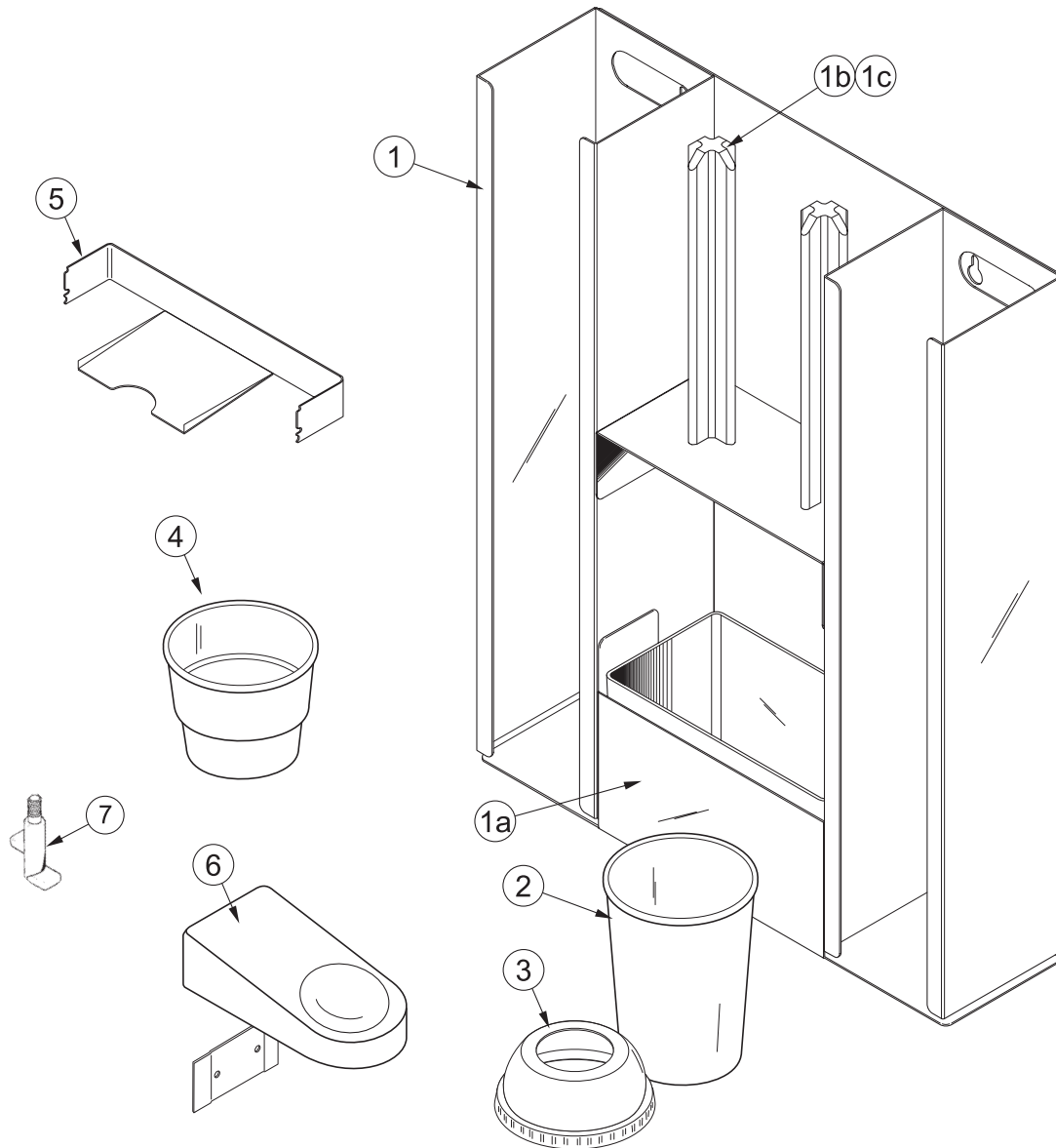
BW11 Exploded View Parts Identification

| ITEM | DESCRIPTION | PART NO. |
|------|------------------------------------|-----------|
| 1 | COVER-MIXER-TOP WALL MT | 051516 |
| 2 | FASTENER-MIXER (BASE & CVR) | 051515 |
| 3 | BRAKE (SEAL) MIXER | 051485 |
| 4 | MOTOR-MIXER (120V) | 051481-12 |
| | MOTOR-MIXER (220/240V) | 051481-27 |
| 4a | PLATE-MOTOR MTG TOP | 051481-4 |
| 4b | BEARING-MIXER MOTOR | 051481-2 |
| 4c | PLATE-MOTOR MTG BOTTOM | 051481-1 |
| 5 | CAPACITOR-MIXER (220/240V) | 051483 |
| | CAPACITOR-MIXER (120V) | 051482 |
| 6 | BASE-MIXER-WALL MOUNT | 051517 |
| 7 | BREAKER-CIRCUIT-MIXER-3AP-120V | 051490 |
| | BREAKER-CIRCUIT-MIXER-5A-220/ 240V | 051489 |
| 8 | GUARD-SWITCH-MIXER | 051505 |
| 9 | SWITCH-ROCKER-MIXER | 051488 |
| 10 | PAD VIBRATION DAMPNER MIXER | 051521 |
| 11 | SCREW-MIXER-MOTOR MTG. | 051493 |
| 12 | BUSHING-MIXER-TRAVEL ROD | 051522 |
| 13 | GUARD-SPLASH-MIXER-CUP-WALL MOUNT | 051518 |
| 14 | CORD-MIXER-18/3 GROUNDED W/PLUG | 051491 |

| ITEM | DESCRIPTION | PART NO. |
|------|------------------------------------|----------|
| 15 | BUMPER-MIXER-TRAVEL ROD-WALL MOUNT | 051514 |
| 16 | ROD TRAVEL-MIXER-WALL MT | 051513 |
| 17 | AGITATOR-MIXER-PERM-SOFT | 051497 |
| 18 | SLINGER-MIXER | 051494 |
| 19 | SHAFT-MIXER-AGITATOR-EXT | 051520 |
| 20 | PEDAL-FOOT MIXER-115V | 052451 |
| *20 | PEDAL-FOOT MIXER-220V | 053192 |
| 20a | TRANSMITTER-FOOT PEDAL W/SHROUD | 052451-1 |
| 20b | CONTROLLER-FOOT PEDAL-115V | 052451-2 |
| *20b | SWITCH-PRESS.-FOOT PEDAL-220V | 053192-1 |
| 20c | TUBE-AIR-FOOT PEDAL | 052451-3 |
| 21 | LABEL-MIXER-WALL-FRNT/SIDE | 052251 |
| 22 | KIT-DRIP PAN (INCLUDES BRACKET) | 052429 |
| * | JUMPER WIRES-MIXER-WALL MT | 051525 |
| * | MANUAL-OPERATOR-MIXER | 052544-M |
| * | RELIEF STRAIN-MIXER-WALL MT | 051524 |
| * | TAB INSULATOR-MIXER (CAPACITOR) | 051509 |
| * | TIES-CABLE-MIXER (CAPACITOR) | 051502 |
| * | KIT-MOUNTING | 052428 |

* NOT SHOWN

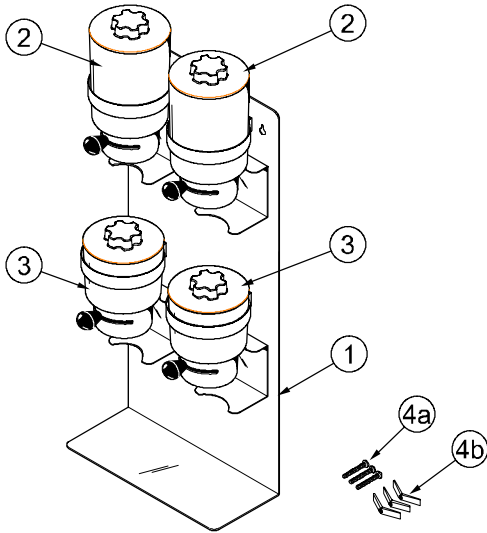
Accessories



| ITEM | DESCRIPTION | PART NO. |
|------|-----------------------------|----------|
| 1 | ORGANIZER A.-FLURRY CUP/LID | X52080 |
| 1a | INSERT-SPOON BIN | 052113 |
| 1b | COLUMN-LID | 052084 |
| 1c | SCREW-1/4-15 X 1 HEX HEAD | 052139 |
| 2 | RAZZLE CUP 12 OZ. 1000/CS | 051967 |
| | RAZZLE CUP 16 OZ 1000/CS | 051968 |

| ITEM | DESCRIPTION | PART NO. |
|------|-------------------------------|----------|
| 3 | LID RAZZLE-CLEAR DOME 1000/CS | 051969 |
| 4 | COLLAR-BLUE PLASTIC | 051750 |
| 5 | LIMITER-CUP-STD. MIXER | 051526 |
| 6 | KIT-DRIP PAN (BW11) | 052429 |
| 7 | AGITATOR-MIXER-PERM HARD | 051498 |

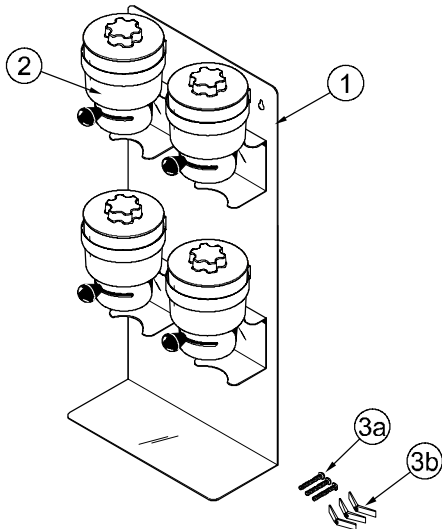
Optional Dispensers



X52037-1

| Item | Description | Part No. |
|------|--------------------------------|----------|
| | Dispenser A.-2 Large - 2 Small | X52037-1 |
| 1 | Bracket A.-Wall Mount | X52035 |
| 2 | Canister A.-Large (2) | X53638-1 |
| 3 | Canister A.-Small (2) | X53638-2 |
| 4 | Kit A.-Dispenser-Wall Mount | X52039 |
| 4a | Screw-10-24 x 2 Sltd Pan Hd SS | 051443 |
| 4b | Anchor-Toggle Wing Zinc Plated | 051444 |
| 4c* | Template-Dispenser-Wall Mount | 052041-T |

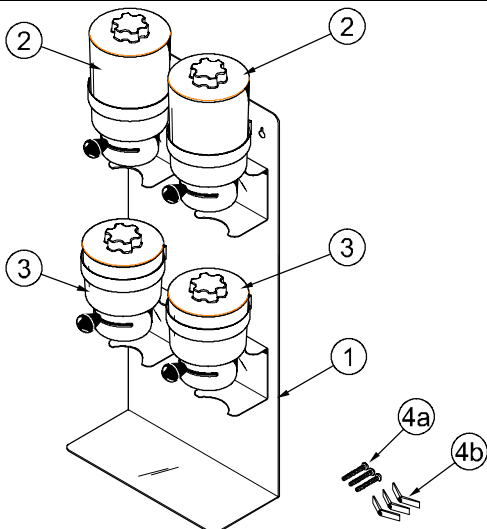
*Not Shown



X52037-2

| Item | Description | Part No. |
|------|---------------------------------|----------|
| | Dispenser A.-4 Small (Wall Mt.) | X52037-2 |
| 1 | Bracket A.-Wall Mount | X52035 |
| 2 | Canister A.-Small (4) | X53638-2 |
| 3 | Kit A.-Dispenser-Wall Mount | X52039 |
| 3a | Screw-10-24 x 2 Sltd Pan Hd SS | 051443 |
| 3b | Anchor-Toggle Wing Zinc Plated | 051444 |
| 3c* | Template-Dispenser-Wall Mount | 052041-T |

*Not Shown



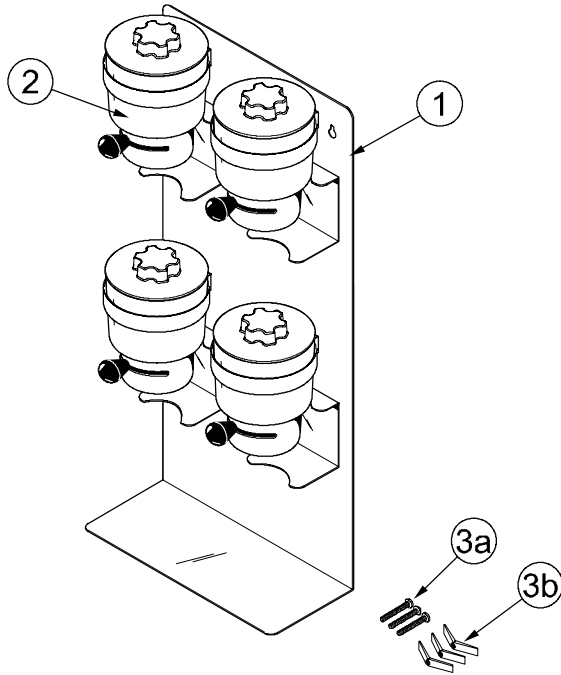
X52037-3

| Item | Description | Part No. |
|------|--------------------------------|----------|
| | Dispenser A.-2 Lg, 2 Sm | X52037-3 |
| 1 | Bracket A.-Wall Mount | X52035 |
| 2 | Canister A.-Large (2) | X53638-3 |
| 3 | Canister A.-Small (2) | X53638-4 |
| 4 | Kit A.-Dispenser-Wall Mount | X52039 |
| 4a | Screw-10-24 x 2 Sltd Pan Hd SS | 051443 |
| 4b | Anchor-Toggle Wing Zinc Plated | 051444 |
| 4c* | Template-Dispenser-Wall Mount | 052041-T |

*Not Shown

Optional Dispensers (Cont'd.)

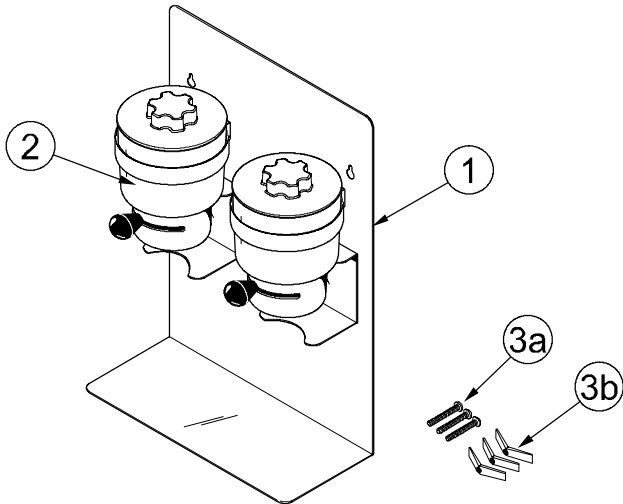
X52037-4



| Item | Description | Part No. |
|------|---------------------------------|----------|
| | Dispenser A.-4 Small (Wall Mt.) | X52037-4 |
| 1 | Bracket A.-Wall Mount | X52035 |
| 2 | Canister A.-Small (4) | X53638-4 |
| 3 | Kit A.-Dispenser-Wall Mount | X52039 |
| 3a | Screw-10-24 x 2 Slt'd Pan Hd SS | 051443 |
| 3b | Anchor-Toggle Wing Zinc Plated | 051444 |
| 3c* | Template-Dispenser-Wall Mount | 052041-T |

*Not Shown

X52078-1

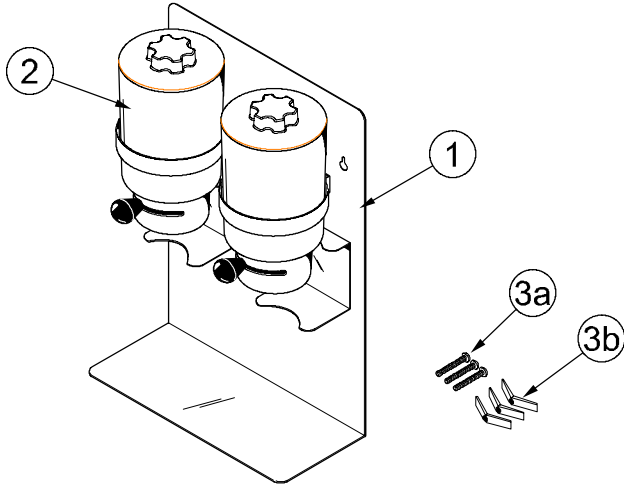


| Item | Description | Part No. |
|------|---|----------|
| | Dispenser A.-2 Small (Wall/Counter Mount) | X52078-1 |
| 1 | Bracket A.-Wall/Counter Mt. | X51414 |
| 2 | Canister A.-Small (2) | X53638-2 |
| 3 | Kit A.-Dispenser-Wall/Counter Mt. | X51441 |
| 3a | Screw-10-24 x 2 Slt'd Pan Hd (3) | 051443 |
| 3b | Anchor-Toggle Wing Zinc (3) | 051444 |
| 3c* | Template-Dispenser-Wall Mt. | 051415-T |

*Not Shown

Optional Dispensers (Cont'd.)

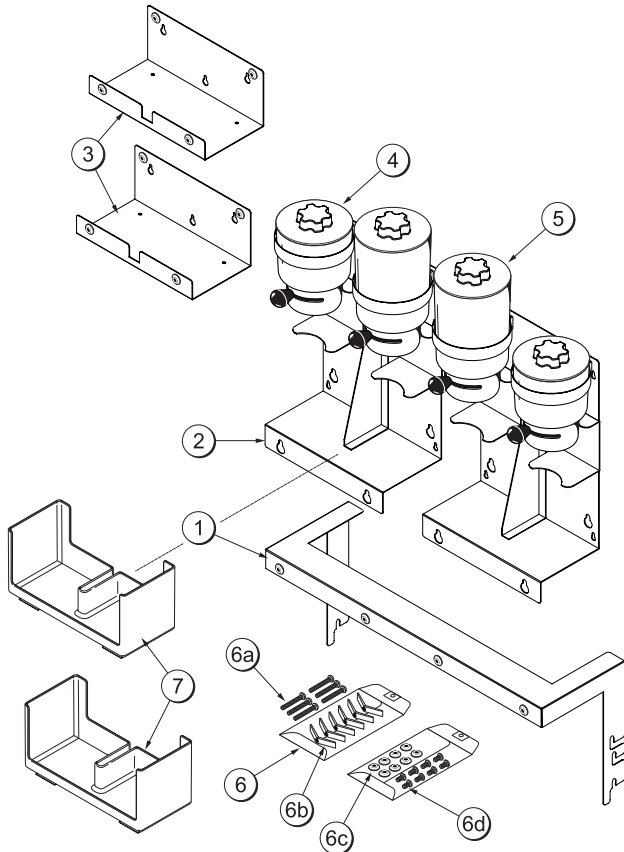
X52078-2



| Item | Description | Part No. |
|------|---|----------|
| | Dispenser A.-2 Large (Wall/Counter Mount) | X52078-2 |
| 1 | Bracket A.-Wall/Counter Mt. | X51414 |
| 2 | Canister A.-Large (2) | X53638-1 |
| 3 | Kit A.-Dispenser-Wall/Counter Mt. | X51441 |
| 3a | Screw-10-24 x 2 Slt'd Pan Hd (3) | 051443 |
| 3b | Anchor-Toggle Wing Zinc (3) | 051444 |
| 3c* | Template-Dispenser-Wall Mt. | 051415-T |

*Not Shown

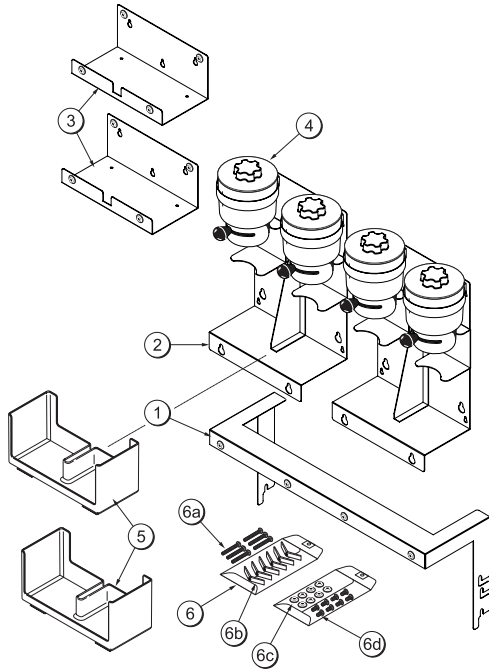
X52566-1



| Item | Description | Part No. |
|------|--|------------|
| | Dispenser A.-2 Large - 2 Small (Hood/Counter/Wall Mount) | X52566-1 |
| 1 | Bracket A.-Hood Mount | X52559 |
| 2 | Bracket A.-Splitback | X52556 |
| 3 | Bracket A.-Counter/Wall Mt. (2) | X52618 |
| 4 | Canister A.-Small (2) | X53638-1 |
| 5 | Canister A.-Large (2) | X53638-2 |
| 6 | Kit A.-Dispenser-Counter/Wall Mt | X52567 |
| 6a | Screw-10-24 x 2 Slt'd Pan Hd (6) | 051443 |
| 6b | Anchor-Toggle Wing Zinc (6) | 051444 |
| 6c | Collar-Holding (8) | 046551 |
| 6d | Screw-10-32 x 1/2 Oval Hd (8) | 001251 |
| 7 | Tray A.-Hood Mount (2) | X53773 |
| 8* | Instruction-Dispenser | X52566-INS |

*Not Shown

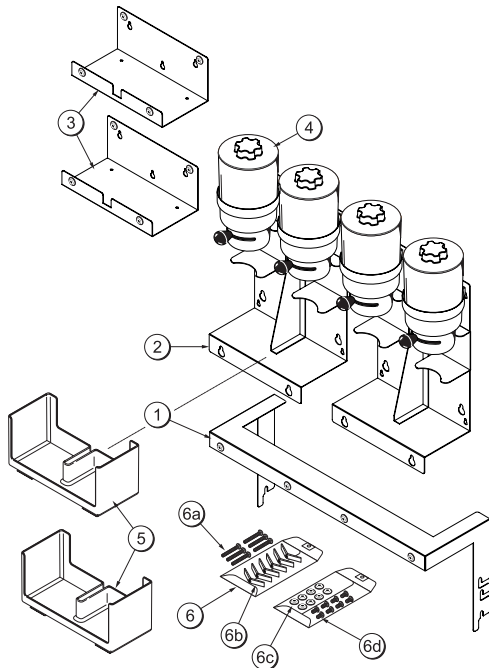
Optional Dispensers (Cont'd.)



X52566-2

| Item | Description | Part No. |
|------|---|------------|
| | Dispenser A.-4 Small (Hood/Counter/Wall Mount) | X52566-2 |
| 1 | Bracket A.-Hood Mount | X52559 |
| 2 | Bracket A.-Splitback (2) | X52556 |
| 3 | Bracket A.-Counter/Wall Mt (2) | X52618 |
| 4 | Canister A.-Small (4) | X53638-2 |
| 5 | Tray A.-Hood Mount (2) | X53773 |
| 6 | Kit A.-Dispenser-Counter/Wall Mt | X52567 |
| 6a | Screw-10-24 x 2 Sltd Pan Hd (6) | 051443 |
| 6b | Anchor-Toggle Wing Zinc (6) | 051444 |
| 6c | Collar-Holding (8) | 046551 |
| 6d | Screw-10-32 x 1/2 Oval Hd-NP (8) | 001251 |
| 7* | Instruction-Dispenser | X52566-INS |

*Not Shown

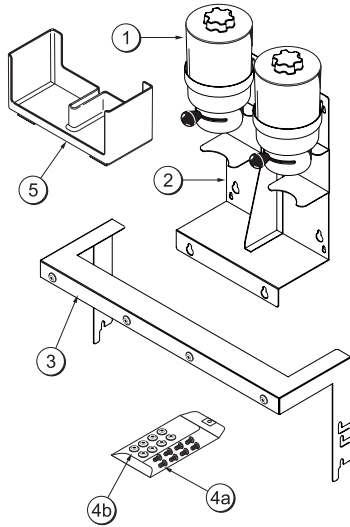


X52566-3

| Item | Description | Part No. |
|------|---|------------|
| | Dispenser A.-4 Large (Hood/Counter/Wall Mount) | X52566-3 |
| 1 | Bracket A.-Hood Mount | X52559 |
| 2 | Bracket A.-Splitback (2) | X52556 |
| 3 | Bracket A.-Counter/Wall Mt (2) | X52618 |
| 4 | Canister A.-Large (4) | X53638-1 |
| 5 | Tray A.-Hood Mount (2) | X53773 |
| 6 | Kit A.-Dispenser-Counter/Wall Mt | X52567 |
| 6a | Screw-10-24 x 2 Sltd Pan Hd (6) | 051443 |
| 6b | Anchor-Toggle Wing Zinc (6) | 051444 |
| 6c | Collar-Holding (8) | 046551 |
| 6d | Screw-10-32 x 1/2 Oval Hd (8) | 001251 |
| 7* | Instruction-Dispenser | X52566-INS |

*Not Shown

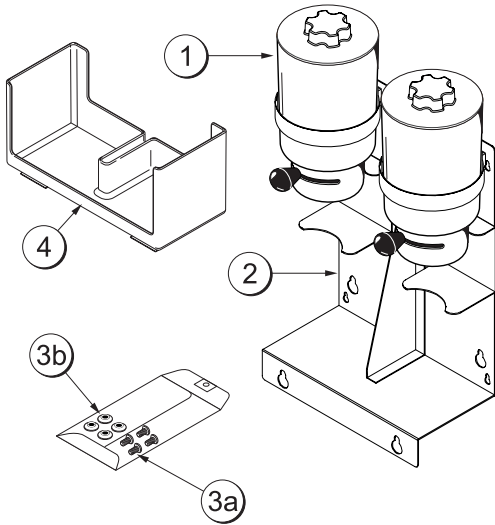
Optional Dispensers (Cont'd.)



X52566-5

| Item | Description | Part No. |
|------|--|------------|
| | Dispenser A.-2 Large (Hood Mount Only) | X52566-5 |
| 1 | Canister A.-Large (2) | X53638-1 |
| 2 | Bracket A.-Splitback (1) | X52556 |
| 3 | Bracket A.-Hood Mount | X52559 |
| 4 | Kit A.-Dispenser-Counter/Wall Mt | X52567-4 |
| 4a | Screw-10-32 x 1/2 Oval Hd (8) | 001251 |
| 4b | Collar-Holding (8) | 046551 |
| 5 | Tray A.-Hood Mount | X53773 |
| 6* | Instruction-Dispenser | X52566-INS |

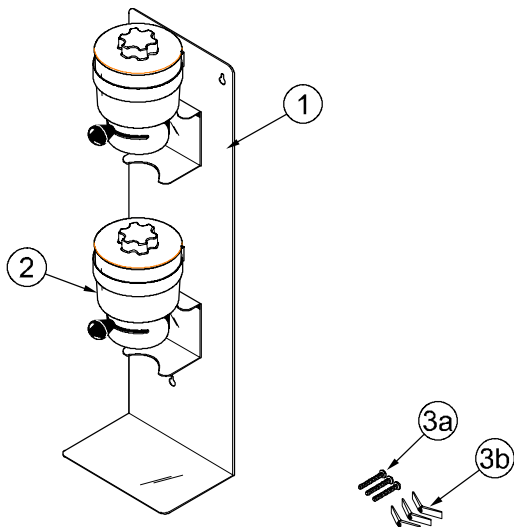
*Not Shown



X52566-6

| Item | Description | Part No. |
|------|---|------------|
| | Dispenser A.-2 Large (Without Hood Mt. Brkt.) | X52566-6 |
| 1 | Canister A.-Large (2) | X53638-1 |
| 2 | Bracket A.-Splitback (1) | X52556 |
| 3 | Kit A.-Dispenser-2 Canister | X52567-2 |
| 3a | Screw-10-32 x 1/2 Oval Hd (4) | 001251 |
| 3b | Collar-Holding (4) | 046551 |
| 4 | Tray A.-Hood Mount | X53773 |
| 5* | Instruction-Dispenser | X52566-INS |

*Not Shown

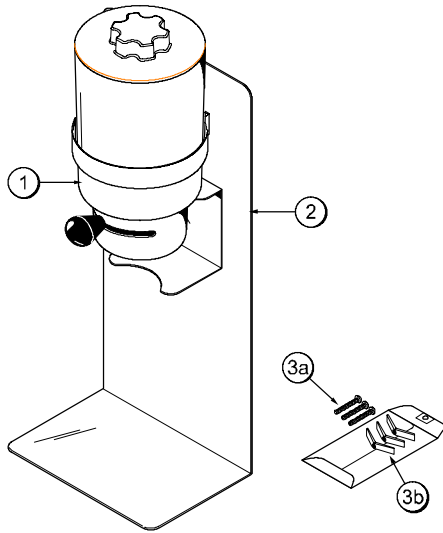


X53407-1

| Item | Description | Part No. |
|------|--|----------|
| | Dispenser A.-2 Small -Vertical (Wall Mount Only) | X53407-1 |
| 1 | Kit A.-Vertical Wall Mount | X53460 |
| 2 | Canister A.-Small (2) | X53638-2 |
| 3 | Kit A.-Vertical Wall Mount | X53461 |
| 3a | Screw-10-24 x 2 Sltd Pan Hd (3) | 051443 |
| 3b | Anchor-Toggle Wing Zinc (3) | 051444 |
| 3c* | Template-Dispenser-Wall Mt. | 053462-T |

*Not Shown

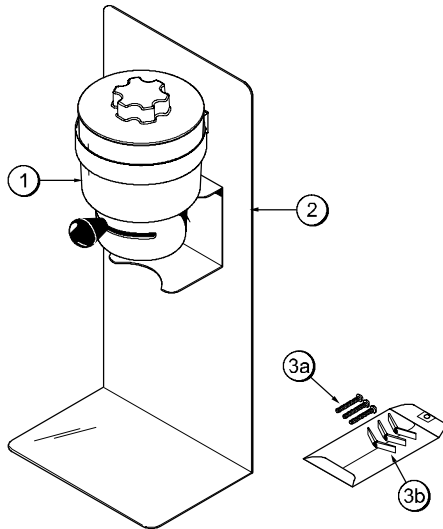
Optional Dispensers (Cont'd.)



X53492-1

| Item | Description | Part No. |
|------|---|----------|
| | Dispenser A.-1 Large - Vertical (Wall Mount Only) | X53492-1 |
| 1 | Canister A.-Large (1) | X53638-1 |
| 2 | Bracket A.-Vertical Wall Mount | X53488 |
| 3 | Kit A.-Dispenser-Wall Mount | X53490 |
| 3a | Screw-10-24 x 2 Sltd Pan Hd (3) | 051443 |
| 3b | Anchor-Toggle Wing Zinc (3) | 051444 |
| 3c* | Template-Single Canister-Wall Mt | 053491-T |

*Not Shown

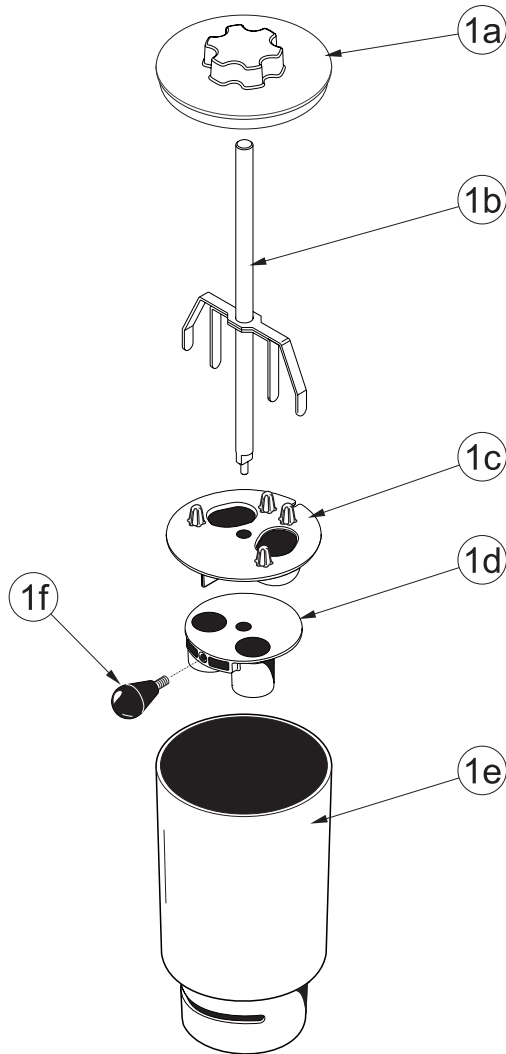


X53492-2

| Item | Description | Part No. |
|------|---|----------|
| | Dispenser A.-1 Small - Vertical (Wall Mount Only) | X53492-2 |
| 1 | Canister A.-Small (1) | X53638-2 |
| 2 | Bracket A.-Vertical Wall Mount | X53488 |
| 3 | Kit A.-Dispenser-Wall Mount | X53490 |
| 3a | Screw-10-24 x 2 Sltd Pan Hd (3) | 051443 |
| 3b | Anchor-Toggle Wing Zinc (3) | 051444 |
| 3c* | Template-Single Canister-Wall Mt | 053491-T |

*Not Shown

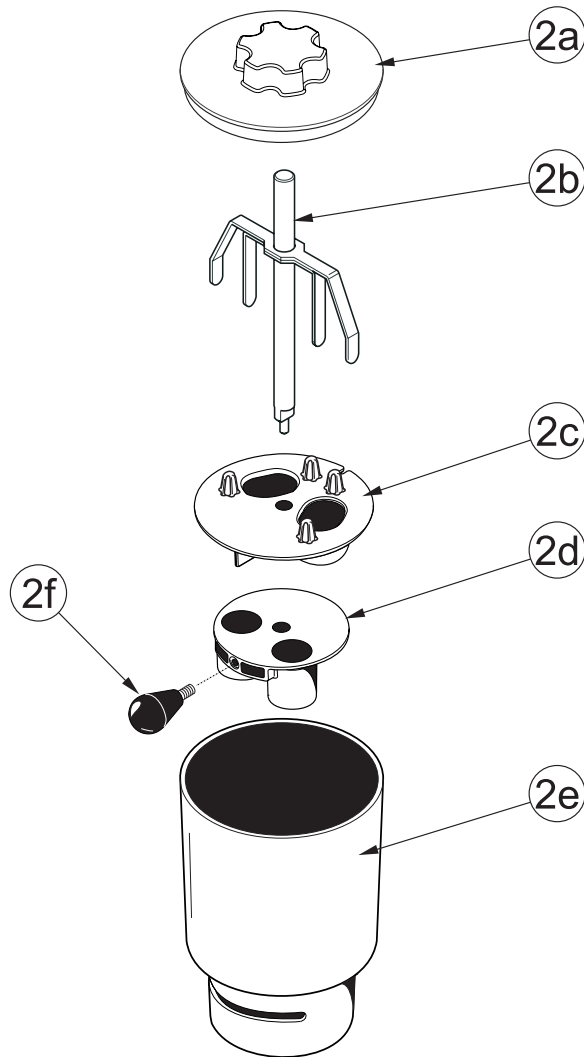
Optional Large Candy Dispenser Canister Assembly (X53638-1)



| ITEM | DESCRIPTION | PART NO. |
|------|---------------------------------|----------|
| 1 | CANISTER A.-LARGE CANDY DISP. | X53638-1 |
| 1a | COVER-CANDY DISPENSER-LARGE | 052032-1 |
| 1b | SHAFT A.-LONG W/AGITATORS | X53530-1 |
| 1c | PLATE-ANTI-ROTATION INS. W/POST | 053581 |

| ITEM | DESCRIPTION | PART NO. |
|------|------------------------------|----------|
| 1d | PUCK A.-CANDY DISPENSER | X52027 |
| 1e | CANISTER-CANDY DISPENSER-LG. | 052033-1 |
| 1f | KNOB A.-CANDY DISPENSER | X51564 |

Optional Small Candy Dispenser Canister Assembly (X53638-2)



| ITEM | DESCRIPTION | PART NO. |
|------|---------------------------------|----------|
| 2 | CANISTER A.-SM. CANDY DISP. (2) | X53638-2 |
| 2a | COVER-CANDY DISPENSER- SMALL | 052032-2 |
| 2b | SHAFT A.-SHORT W/AGITATORS | X53530-2 |
| 2c | PLATE-ANTI-ROTATION INS. W/POST | 053581 |

| ITEM | DESCRIPTION | PART NO. |
|------|-------------------------------|----------|
| 2d | PUCK A.-CANDY DISPENSER | X52027 |
| 2e | CANISTER-CANDY DISPENSER- SM. | 052033-2 |
| 2f | KNOB A.-CANDY DISPENSER | X51564 |

Section 5

Important: To the Operator

Control Switch

When placed in the "ON" position, the agitator activates to blend product.

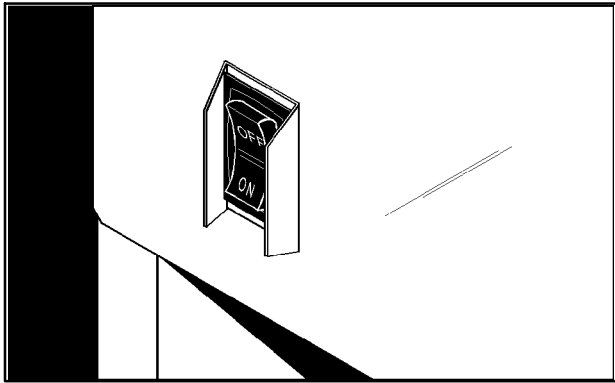


Figure 1

Reset Switch

The reset switch is located above the control switch on the front panel. The reset switch protects the motor from an overload condition. If an overload occurs, the reset mechanism will trip. To properly reset the unit, make sure the control switch is in the "OFF" position. Press the reset switch and resume operation.

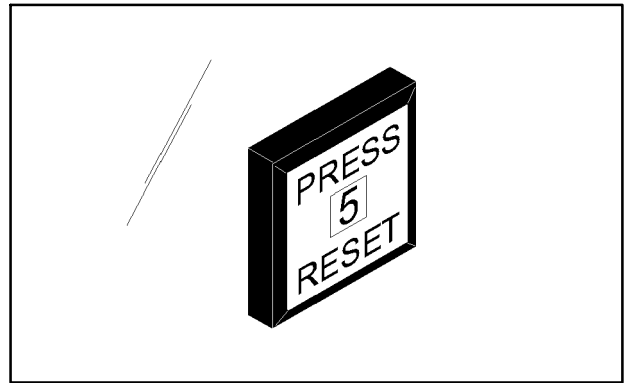


Figure 3

Foot Pedal

A grounded foot pedal allows the operator to use both hands to mix product.

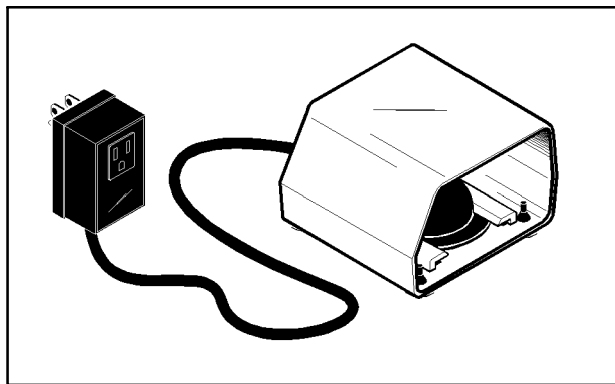


Figure 2

Note: Some International units are not equipped with this feature.

Splash Guard

The splash guard functions as a built-in cup limiter which prevents the cups from agitator penetration. The splash guard also helps keep the inside of the housing clean.

The splash guard for the Model BC10 (counter-top) slides up and down on stainless steel rods. The splash guard for the Model BW11 (wall mount) rotates upward for easy operation.

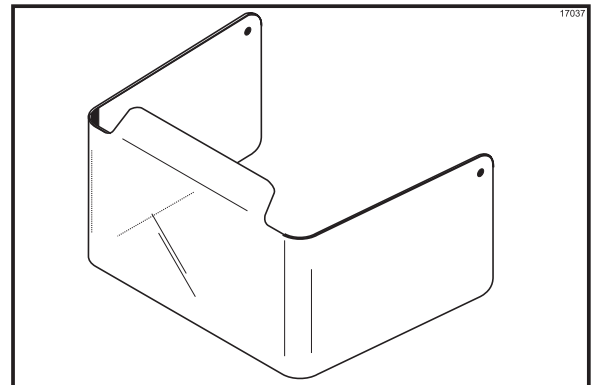


Figure 4

Motor

The motor features a heavy duty, ball bearing induction motor and does not use brushes, belts, couplings, or gears. This design reduces power consumption, heat, noise, and wear. The motor maintains an optimal speed of 3,485 RPM to maintain product consistency.

Permanent Agitator

The permanent agitator is manufactured from FDA and NSF approved, food safe material. **The shaft must be cleaned between servings** as product carryover will occur. (See page 23.)

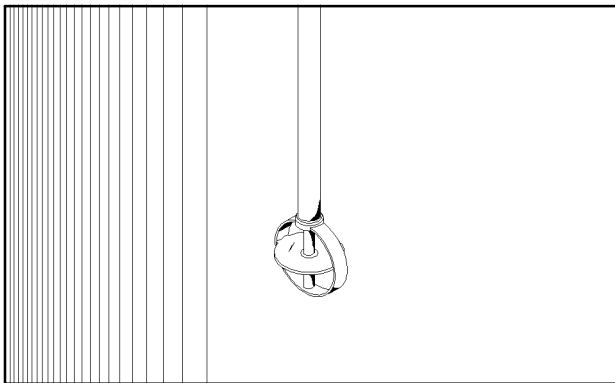


Figure 5

Candy Dispenser Canisters

The canisters contain the candy toppings. The operator dispenses the toppings by use of the dispenser handle.

Candy Care

Most candies have a tendency to “lump” or “cluster” under various conditions. This can lead to broken dispensing pucks if excessive pressure is required to move the handle.

- Store candies in the proper ambient conditions according to the manufacturer’s directions. Avoid excessively hot and humid locations.

- Avoid opening a bag of candy if the entire contents cannot be poured into the canister. If this cannot be avoided, be sure to fold the bag opening over and reseal it with a bag clip. Store it in a cool, dry place until needed again.
- Rotate the candy stock to use the oldest candy first (First in–First–out).
- Before opening a new bag of candy, check to see if it contains large lumps by slightly squeezing the bag. If lumps exist, gently break them apart with your fingers prior to opening the bag.

Canister Care and Location

- Avoid mounting canisters near heat, humidity, or hot air discharges. These conditions can promote lumping and difficult dispensing of candies.
- Always keep candies protected from the open ambience by having the lids properly installed on top of the canisters when candies are present.
- When canisters are not cleaned daily, candy dust and powers begin to congeal and will cause excessive pressure to be exerted in order to dispense candies. This additional pressure can cause the pucks to break.
- Avoid “slamming” the dispensing handle back and forth when dispensing candies. This can cause the puck to break.
- Do not apply undue force on the handle to make the puck move. If a “lock up” condition occurs, empty the dispenser of candies. Disassemble, clean and thoroughly dry the dispenser according to cleaning instructions. Eliminate clusters and lumps before refilling the canister.
- When reassembling the canister, take care not to over-tighten the handle into the “puck bushing”. After the handle has been screwed into the puck bushing, check tightness by unscrewing it slightly to be sure it requires little effort to unscrew. Then reset it.

Section 6

Operating Procedures

Mixing Instructions

Make sure your hands are clean and sanitized before performing these steps.

Step 1

Fill a serving cup with soft serve product and install the plastic domed lid.

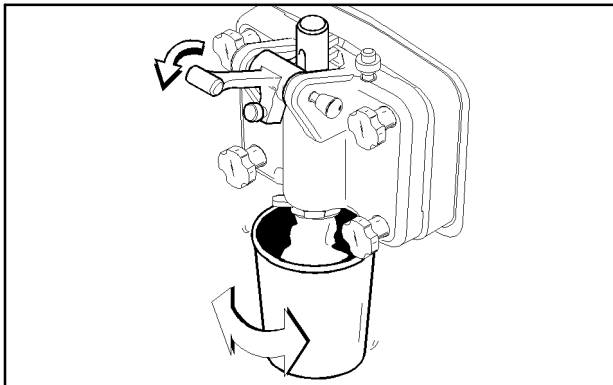


Figure 6

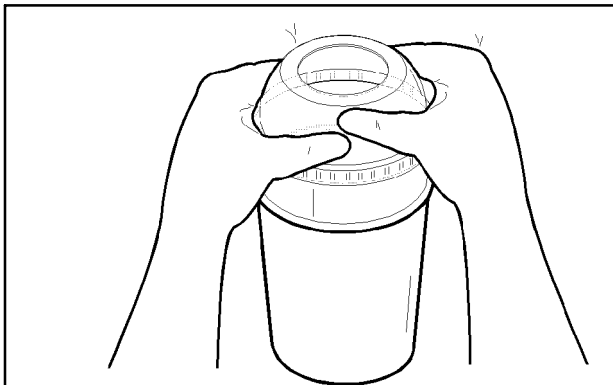


Figure 7

Step 2

Add “mix-in” ingredients such as liquid flavoring, candy, cookies, fruit, or other condiments.

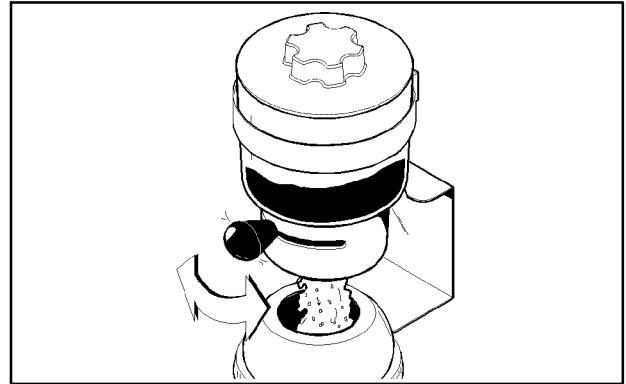


Figure 8

Step 3

Place the control switch in the “ON” position.

Step 4

Hold the cup securely in place beneath the agitator, and step on the foot pedal. Using a circular motion, work the cup upward and over the spinning agitator.

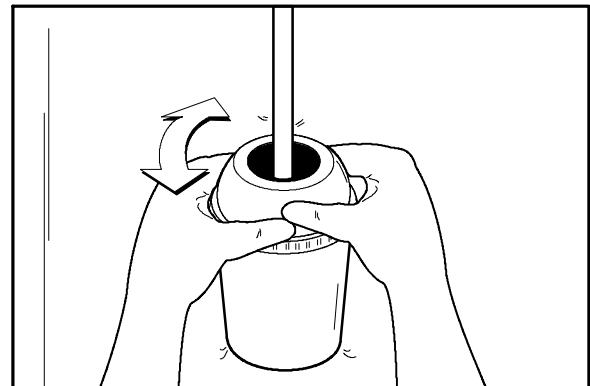


Figure 9

Select International Units: For select International units which are not equipped with a foot pedal, the control switch must be pressed during agitation.

Note: Agitation will chip and break down solids. It is not intended to completely pulverize ingredients because solid chunks should be evident in the finished product.

CAUTION: The permanent agitator is designed to withstand reasonable contact with the spinning agitator shaft. However, it should not be forced or held solidly against the side or bottom of the cup. This may cause damage to the cup or components.

Step 5

After about 10 seconds have elapsed, slowly remove the cup by “swirling” it around the agitator. This will create an effect that is pleasing to the eye, and avoids leaving a hole in the center of the product.

Step 6

Before removing the cup completely, hold the top edge of the cup near the spinning agitator to allow excess mixture to be projected into the cup or the mix-through collar.

Step 7

Release the foot pedal or place the control switch in the “OFF” position.

Step 8

Prepare a durable container with an approved cleaning solution (example: Kay-5®). USE HOT WATER (110°F/43°C) AND FOLLOW THE MANUFACTURER’S SPECIFICATIONS. If another approved cleaner is used, dilute according to label instructions. (**IMPORTANT:** Follow label directions, as too STRONG of a solution can cause parts damage, while too MILD of a solution will not provide adequate cleaning.) Make sure all brushes provided with the freezer are available for brush cleaning. **Do not use a solution that contains ammonia.**

Note: The container must be deep enough to submerge the entire agitator and shaft.

Step 9

Submerge the agitator in the cleaning solution, all the way to the bottom of the motor chamber. Step on the foot pedal or place the control switch in the “ON” position. Allow the agitator to run for about 15 seconds. Repeat this step several times, making certain all portions of the agitator and shaft have been submerged in the cleaning solution.



WARNING: Never try to wipe clean the agitator while it is active. Failure to follow these instructions can lead to severe personal injury from hazardous moving parts, or damage to the unit.

Cleaning

The Taylor Company recommends daily cleaning.



Step 1

Prepare a sink with an approved cleaning solution (example: Kay-5®). USE HOT WATER (110°F/43°C) AND FOLLOW THE MANUFACTURER’S SPECIFICATIONS. Do not use a solution that contains ammonia, and avoid placing components in a dishwasher.

Step 2



Disconnect power from the wall receptacle. Failure to comply may result in electrical shock.

Step 3

Remove the splash guard.

Wall mount units only (BW11):

Remove the sliding splash guard cup by squeezing the travel rods together and sliding the guard downward. Take the cup to the sink for cleaning.

Step 4

Wash the splash guard in the approved cleaning solution.

Step 5

Using a single service towel (moistened with the cleaning solution), wipe clean the travel rods and the agitator shaft.

CAUTION: DO NOT REMOVE THE TRAVEL RODS FROM THE UNIT.

Step 6

Remove the dispenser from the bracket by tilting it toward you and lifting upward.

Step 7

Discard any remaining topping.

Step 8

Remove the cover, shaft, dispensing plate, and dispensing puck. Unscrew the handle from the dispensing puck.

Step 9

Check all parts for cracks and damage, especially the puck. Replace damaged parts immediately.

Step 10

Wash all plastic parts in the approved cleaning solution. **CAUTION: PLASTIC PARTS ARE NOT DISHWASHER SAFE! HAND WASH ONLY!**

Step 11

Re-assemble the dispenser. Make sure the dispensing puck is placed in the canister with the counterbore face down and with the threaded insert facing the slot.

Note: Parts must be dry prior to assembling and refilling them with mix ingredients.

Step 12

Screw the handle through the slot and into the metal insert in the dispensing puck. Place the dispensing plate on top of the dispensing puck.

Step 13

Position the shaft through the plate and into the slot in the dispensing puck. Make certain the shaft is properly seated.

Step 14

Install the dispenser. Place the dispenser on the wall bracket with the locating pin facing the holding bracket. The dispenser must be tilted toward the operator to clear the handle. Insert the pin into the hole in the bracket.

Note: When loading the dispenser with product, keep powder away from the top of the shaft. Fill the canister only within one inch of the top. **Do not overfill the canister.**

Step 15

Wipe clean all stainless steel surfaces with an approved, non-abrasive commercial cleaner. This includes the mixer, dispenser, and organizer surfaces.



WARNING: Do not spray water or other liquid around the motor chamber. Do not use excess liquid around the switch, motor protector, power cords, or cord entry orifice. Make certain all areas in and around the motor are dry before connecting power to the wall receptacle. Failure to comply may cause equipment damage or personal injury due to electric shock.

Step 16

When foot pedal cleaning is required, disconnect it and wipe it with a damp single service towel. Make sure the foot pedal is thoroughly dry before re-connecting it to the unit.



CAUTION: The foot pedal should be kept dry. Do not leave it on the floor during mopping. Failure to comply may result in electrical shock.

Permanent Agitator Cleaning

Step 1

Prepare a durable container with an approved cleaning solution (example: Kay-5®). **USE HOT WATER (110°F/43°C) AND FOLLOW THE MANUFACTURER'S SPECIFICATIONS.** Do not use a solution that contains ammonia.

Note: The container must be deep enough to submerge the entire agitator and shaft.

Step 2

Submerge the agitator in the cleaning solution, all the way to the bottom of the motor chamber. Step on the foot pedal or place the control switch in the "ON" position. Allow the agitator to run for about 15 seconds. Repeat this step several times, making certain all portions of the agitator and shaft have been submerged in the cleaning solution.



WARNING: Never try to wipe clean the agitator while it is active. Failure to follow these instructions can lead to severe personal injury from hazardous moving parts, or damage to the unit.

Step 3

Repeat Step 2 using cool, clean water in lieu of cleaning solution.

Sanitizing

Step 1

Repeat all steps of the cleaning procedure using an approved 100 PPM sanitizing solution (example: Kay-5®). **USE WARM WATER AND FOLLOW THE MANUFACTURER'S SPECIFICATIONS.**

Step 2

Reinstall the splash guard.

Step 3

Repeat the sanitizing procedures at the start of the day.



ALWAYS FOLLOW LOCAL HEALTH CODES

BC10 / BW11 Razzle Blenders

| DESCRIPTION | PART NUMBER | BC10 QTY. | BW11 QTY. | WARR. CLASS | REMARKS | PARTS UPDATE |
|----------------------------------|-------------|-----------|-----------|-------------|--------------------|--------------|
| AGITATOR-MIXER-PERM SOFT SERVE | 051497 | 1 | 1 | 000 | SOFT SERVE ONLY | |
| AGITATOR-MIXER-PERM HARD SERVE | 051498 | 1 | 1 | 000 | HARD SERVE ONLY | |
| BASE-MIXER-WALL MOUNT | 051517 | | 1 | 000 | | |
| BRAKE (SEAL) MIXER | 051485 | 1 | 1 | 000 | | |
| BREAKER-CIRCUIT-3 AMP (120V) | 051490 | 1 | 1 | 000 | | |
| BREAKER-CIRCUIT-5 AMP (220/240V) | 051489 | 1 | 1 | 000 | | |
| BUMPER-TRAVEL ROD | 051514 | | 1 | 000 | | |
| BUSHING-TRAVEL ROD | 051522 | | 4 | 000 | | |
| CAP-MIXER | 051484 | 1 | | 000 | | |
| CAP-CRIMP-MIXER | 051504 | 2 | | 000 | | |
| CAPACITOR-MIXER (120V) | 051482 | 1 | 1 | 000 | | |
| CAPACITOR-MIXER (220/240V) | 051483 | 1 | 1 | 000 | | |
| CORD-MIXER-18/3 GROUNDED | 051491 | 1 | 1 | 000 | | |
| COVER-MIXER-TOP-WALL MOUNT | 051516 | | 1 | 000 | | |
| FASTENER-MIXER | 051515 | | 8 | 000 | | |
| FOOT A.-MIXER-PLUGGED | 051500 | 4 | | 000 | | |
| GUARD-SPLASH-MIXER | 051499 | 1 | | 000 | | |
| GUARD-SPLASH-MIXER-CUP | 051518 | | 1 | 000 | | |
| GUARD-SWITCH-MIXER | 051505 | 1 | 1 | 000 | | |
| JUMPER WIRES-MIXER | 051486 | 2 | | 000 | | |
| JUMPER WIRES-WALL MOUNT | 051525 | | 2 | 000 | | |
| KIT-DRIP PAN *BW11* | 052429 | | 1 | 000 | | |
| KIT-MOUNTING *BW11* (BRACKET) | 052428 | | 1 | 000 | | |
| LABEL-MIXER-COUNTER-RAZZLE | 052250 | 1 | | 000 | | |
| LABEL-MIXER-WALL MOUNT-RAZZLE | 052251 | | 3 | 000 | | |
| LIMITER-CUP | 051526 | 1 | | 000 | | |
| MAN-OPER-MIXER-RAZZLE | 052544-M | 1 | 1 | 000 | | |
| MOTOR-MIXER (120V) | 051481-12 | 1 | 1 | 000 | INCLUDES CAPACITOR | 130 |
| PLATE-MOTOR-MOUNTING | 051481-1 | 1 | 1 | 000 | | |
| BEARING-MIXER MOTOR | 051481-2 | 1 | 1 | 000 | | |
| SCREW-MOTOR MOUNTING | 051481-3 | 4 | 4 | 000 | | |
| MOTOR-MIXER (220/240V) | 051481-27 | 1 | 1 | 000 | INCLUDES CAPACITOR | 130 |
| PLATE-MOTOR-MOUNTING | 051481-1 | 1 | 1 | 000 | | |
| BEARING-MIXER MOTOR | 051481-2 | 1 | 1 | 000 | | |
| SCREW-MOTOR MOUNTING | 051481-3 | 4 | 4 | 000 | | |
| PAD-VIBRATION DAMPNER | 051521 | | 1 | 000 | | |

+ Available Separately

| DESCRIPTION | PART NUMBER | BC10 QTY. | BW11 QTY. | WARR. CLASS | REMARKS | PARTS UPDATE |
|---------------------------------|-------------|-----------|-----------|-------------|-----------------------------------|--------------|
| PEDAL-FOOT-MIXER-115 VOLT | 052451 | 1 | 1 | 000 | NEW STYLE (REPLACES 051501) | |
| TRANSMITTER-FOOT PEDAL | 052451-1 | 1 | 1 | 000 | INCLUDES SHROUD | 131 |
| CONTROLLER-FOOT PEDAL-115VOLT | 052451-2 | 1 | 1 | 000 | | 131 |
| TUBE-AIR-FOOT PEDAL | 052451-3 | 1 | 1 | 000 | | 131 |
| PEDAL-FOOT-MIXER-220 VOLT | 053192 | 1 | 1 | 000 | S/N 912480000/LJP (5/4/98) - 50HZ | 136 |
| TRANSMITTER-FOOT PEDAL | 052451-1 | 1 | 1 | 000 | | 136 |
| SWITCH-PRESSURE-220V | 053192-1 | 1 | 1 | 000 | | 136 |
| TUBE-AIR-FOOT PEDAL | 052451-3 | 1 | 1 | 000 | | 136 |
| PIN-PIVOT | 051507 | 4 | | 000 | FOR SPLASH GUARD-051499 | |
| RELIEF STRAIN-MIXER-WALL MOUNT | 051524 | | 1 | 000 | | |
| RELIEF STRAIN-MIXER-RIGHT ANGLE | 051492 | 3 | | 000 | | |
| ROD-TRAVEL | 051513 | | 1 | 000 | | |
| SCREW-MIXER-RETAINER CAP | 051487 | 3 | | 000 | | |
| SCREW-MIXER-MOUNTING PIVOT PIN | 051508 | 4 | | 000 | FOR PIVOT PIN-051507 | |
| SCREW-MIXER-MOTOR MOUNTING | 051493 | 4 | 4 | 000 | | |
| SHAFT-MIXER-AGITATOR EXTENSION | 051495 | 1 | | 000 | | |
| SHAFT-MIXER-AGITATOR EXTENSION | 051520 | | 1 | 000 | | |
| SPACER-TUBE-12 OZ CUP | 051523 | | 2 | 000 | 4/00 / PRIOR | |
| SLINGER-MIXER | 051494 | 1 | 1 | 000 | | |
| SWITCH-ROCKER | 051488 | 1 | 1 | 000 | | |
| TAB-INSULATOR | 051509 | 1 | 1 | 000 | | |
| TIES-CABLE | 051502 | 3 | 3 | 000 | | |
| TEMPLATE-DISP. WALL MOUNT | 051415-T | | 1 | 000 | | |

+ Available Separately

Candy Dispenser Blender Accessories

| DESCRIPTION | PART NUMBER | QTY. | WARR. CLASS | REMARKS | PARTS UPDATE |
|--|-----------------|------|-------------|---------------------|--------------|
| DISPENSER A.-2 LARGE & 2 SMALL CAN. | X52037-1 | | | | |
| BRACKET A.-CANDY DISP. WALL MNT | X52035 | 1 | 000 | | |
| CANISTER A.-LARGE CANDY DISP. | X53638-1 | 2 | 000 | | |
| CANISTER-CANDY TOP. DISP. LARGE | 052033-1 | 1 | 000 | | |
| COVER-CANDY TOP. DISP.-LARGE | 052032-1 | 1 | 000 | | |
| KNOB A.-CANDY TOPPING DISP. | X51564 | 1 | 000 | | |
| KNOB-CANDY TOPPING DISP. | 051412 | 1 | 000 | | |
| STUD-CANDY DISPENSER 1/4-20 | 051413 | 1 | 000 | | |
| PLATE-INSERT CAN. TOP. DISP. | 053581 | 1 | 000 | | |
| PUCK A.-CANDY TOPPING DISP. | X52027 | 1 | 000 | | |
| SHAFT A.-LARGE CANDY TOPPING | X53530-1 | 1 | 000 | | |
| CANISTER A.-SMALL CANDY DISP | X53638-2 | 2 | 000 | | |
| CANISTER-CANDY TOP. DISP. SMALL | 052033-2 | 1 | 000 | | |
| COVER-CANDY TOP. DISP.-SMALL | 052032-2 | 1 | 000 | | |
| KNOB A.-CANDY TOPPING DISP. | X51564 | 1 | 000 | SEE BREAKDOWN ABOVE | |
| PLATE-INSERT CAN. TOP. DISP. | 053581 | 1 | 000 | | |
| PUCK A.-CANDY TOPPING DISP. | X52027 | 1 | 000 | | |
| SHAFT A.-SMALL CANDY TOPPING | X53530-2 | 1 | 000 | | |
| KIT A.-DISPENSER WALL MOUNT | X52039 | 1 | 000 | | |
| ANCHOR-TOGGLE WING ZINC PLAT | 051444 | 3 | 000 | | |
| SCREW-10-24X2 SLTD PAN HD SS | 051443 | 3 | 000 | | |
| TEMPLATE-DISPENSER WALL MOUNT | 052041-T | 1 | 000 | | |
| | | | | | |
| DISPENSER A.-4 SMALL CAN. | X52037-2 | | | | |
| BRACKET A.-CANDY DISP. WALL MNT | X52035 | 1 | 000 | | |
| CANISTER A.-SMALL CANDY DISP | X53638-2 | 2 | 000 | SEE BREAKDOWN ABOVE | |
| KIT A.-DISPENSER WALL MOUNT | X52039 | 1 | 000 | SEE BREAKDOWN ABOVE | |
| | | | | | |
| DISPENSER A.-2 LG/ 2SM*LG PUCKS | X52037-3 | | | | |
| BRACKET A.-CANDY DISP. WALL MNT | X52035 | 1 | 000 | | |
| CANISTER A.-LARGE W/LARGE PUCK | X53638-3 | 2 | 000 | | |
| CANISTER-CANDY TOP. DISP. LARGE | 052033-1 | 1 | 000 | | |
| COVER-CANDY TOP. DISP.-LARGE | 052032-1 | 1 | 000 | | |
| KNOB A.-CANDY TOPPING DISP. | X51564 | 1 | 000 | SEE BREAKDOWN ABOVE | |
| PLATE-INSERT*W/POSTS*LG PUCK* | 053582 | 1 | 000 | | |
| PUCK A.-LARGE CANDY DISPENSER | X51404 | 1 | 000 | | |
| SHAFT A.-LARGE CANDY TOPPING | X53530-1 | 1 | 000 | | |

+ Available Separately

| DESCRIPTION | PART NUMBER | QTY. | WARR. CLASS | REMARKS | PARTS UPDATE |
|--|-----------------|------|-------------|----------------------------|--------------|
| CANISTER A.-SMALL W/LARGE PUCK | X53638-4 | 2 | 000 | | |
| CANISTER-CANDY TOP. DISP.SMALL | 052033-2 | 1 | 000 | | |
| COVER-CANDY TOP. DISP.-SMALL | 052032-2 | 1 | 000 | | |
| KNOB A.-CANDY TOPPING DISP. | X51564 | 1 | 000 | SEE BREAKDOWN ABOVE | |
| PLATE-INSERT*W/POSTS*LG PUCK* | 053582 | 1 | 000 | | |
| PUCK A.-LARGE CANDY DISPENSER | X51404 | 1 | 000 | | |
| SHAFT A.-SHORT W. AGITATORS | X53530-2 | 1 | 000 | | |
| KIT A.-DISPENSER WALL MOUNT | X52039 | 1 | 000 | SEE BREAKDOWN ABOVE | |
| | | | | | |
| DISPENSER A.- 4 SMALL LG. PUCK | X52037-4 | | | | |
| BRACKET A.-CANDY DISP.WALL MNT | X52035 | 1 | 000 | | |
| KIT A.-DISPENSER WALL MOUNT | X52039 | 1 | 000 | SEE BREAKDOWN ABOVE | |
| CANISTER A.-SMALL W/LARGE PUCK | X53638-4 | 4 | 000 | SEE BREAKDOWN ABOVE | |
| | | | | | |
| DISPENSER A.-2 SMALL CAN. | X52078-1 | | | | |
| BRACKET A.-2 CANISTERS | X51414 | 1 | 000 | | |
| CANISTER A.-SMALL CANDY DISP. | X53638-2 | 2 | 000 | SEE BREAKDOWN ABOVE | |
| KIT A.-DISPENSER-2 CANISTER MOUNT | X51441 | 1 | 000 | | |
| ANCHOR-TOGGLE WING ZINC PLAT | 051444 | 3 | 000 | | |
| SCREW-10-24X2 SLTD PAN HD SS | 051443 | 3 | 000 | | |
| TEMPLATE-DISP. WALL MOUNT | 051415-T | 1 | 000 | | |
| | | | | | |
| DISPENSER A.-2 LARGE CAN. | X52078-2 | | | | |
| BRACKET A.-2 CANISTERS | X51414 | 1 | 000 | | |
| CANISTER A.-LARGE CANDY DISP. | X53638-1 | 2 | 000 | SEE BREAKDOWN ABOVE | |
| KIT A.-DISPENSER-2 CANISTER MOUNT | X51441 | 1 | 000 | SEE BREAKDOWN ABOVE | |
| | | | | | |
| DISPENSER A.-HOOD/COUNTER MOUNT | X52566-1 | | | | |
| BRACKET A.-SPLITBACK DISP. | X52556 | 2 | 000 | 2 SMALL, 2 LARGE CANISTERS | |
| BRACKET A.-HOOD*8634*8784* | X52559 | 1 | 000 | | |
| CANISTER A.-LARGE CANDY DISP. | X53638-1 | 2 | 000 | SEE BREAKDOWN ABOVE | |
| CANISTER A.-SMALL CANDY DISP. | X53638-2 | 2 | 000 | SEE BREAKDOWN ABOVE | |
| INSTRUCTION-CANDY DISP. | X52566-INS | 1 | 000 | | |
| KIT A.-HOOD/COUNTER/WALL MNT | X52567 | 1 | 000 | | |
| SCREW-10-32X1/2 OVAL HD-NP | 001251 | 8 | 000 | | |
| COLLAR-HOLDING | 046551 | 8 | 000 | | |
| SCREW-10-24X2 SLTD PAN HD SS | 051443 | 6 | 000 | | |
| ANCHOR-TOGGLE WING ZINC PLAT | 051444 | 6 | 000 | | |
| BRACKET A.-COUNTERTOP/WALL MT | X52618 | 2 | 000 | | |

+ Available Separately

| DESCRIPTION | PART NUMBER | QTY. | WARR. CLASS | REMARKS | PARTS UPDATE |
|--|-----------------|------|-------------|---------------------|--------------|
| TRAY A.-HOOD MOUNT | X53773 | 2 | 000 | | 152 |
| STRIP-MAGNETIC 2" L | 042814-2 | 4 | 000 | | 152 |
| DISPENSER A.-HOOD/COUNTER MOUNT | X52566-2 | | | 4 SMALL | |
| BRACKET A.-SPLITBACK DISPENSER | X52556 | 2 | 000 | | |
| BRACKET A.-HOOD*8634*8784* | X52559 | 1 | 000 | | |
| CANISTER A.-SMALL CANDY DISP | X53638-2 | 2 | 000 | SEE BREAKDOWN ABOVE | |
| INSTRUCTION-CANDY DISPENSER | X52566-INS | 1 | 000 | | |
| KIT A.-HOOD/COUNTER/WALL MNT | X52567 | 1 | 000 | SEE BREAKDOWN ABOVE | |
| TRAY A.-HOOD MOUNT | X53773 | 2 | 000 | SEE BREAKDOWN ABOVE | 152 |
| DISPENSER A.-HOOD MNT. 4 LARGE | X52566-3 | | | | |
| BRACKET A.-SPLITBACK DISPENSER | X52556 | 2 | 000 | | |
| BRACKET A.-HOOD*8634*8784* | X52559 | 1 | 000 | | |
| CANISTER A.-LARGE CANDY DISP | X53638-1 | 2 | 000 | SEE BREAKDOWN ABOVE | |
| INSTRUCTION-CANDY DISPENSER | X52566-INS | 1 | 000 | | |
| KIT A.-HOOD/COUNTER/WALL MNT | X52567 | 1 | 000 | SEE BREAKDOWN ABOVE | |
| TRAY A.-HOOD MOUNT | X53773 | 2 | 000 | SEE BREAKDOWN ABOVE | |
| KIT A. HOOD MOUNT BRK'S ONLY | X52566-4 | | | LESS CANISTERS | |
| BRACKET A.-SPLIT BACK DISPENSER | X52556 | 2 | 000 | | |
| BRACKET A.-HOOD | X52559 | 1 | 000 | | |
| KIT A.-HARDWARE FOR HD MNT BKT | X52567-4 | 1 | 000 | | |
| SCREW-10-32X1/2 OVAL HD-NP | 001251 | 8 | 000 | | |
| COLLAR-HOLDING | 046551 | 8 | 000 | | |
| TRAY A.-HOOD MOUNT | X53773 | 2 | 000 | SEE BREAKDOWN ABOVE | 152 |
| DISPENSER A.-HOOD MNT/ONLY 2LG | X52566-5 | | | | |
| BRACKET A.-SPLIT BACK DISPENSER | X52556 | 1 | 000 | | |
| BRACKET A.-HOOD | X52559 | 1 | 000 | | |
| CANISTER A.-LARGE CANDY DISP | X53638-1 | 2 | 000 | SEE BREAKDOWN ABOVE | |
| INSTRUCTION-CANDY DISPENSER | X52566-INS | 1 | 000 | | |
| KIT A.-HARDWARE FOR HD MNT BKT | X52567-4 | 1 | 000 | | |
| TRAY A.-HOOD MOUNT | X53773 | 1 | 000 | SEE BREAKDOWN ABOVE | 152 |
| DISPENSER A.-2LG CAN. W. BRKT | X52566-6 | | | | |
| BRACKET A.-SPLIT BACK DISPENSER | X52556 | 1 | 000 | | |
| CANISTER A.-LARGE CANDY DISP | X53638-1 | 2 | 000 | SEE BREAKDOWN ABOVE | |
| INSTRUCTION-CANDY DISPENSER | X52566-INS | 1 | 000 | | |

+ Available Separately

| DESCRIPTION | PART NUMBER | QTY. | WARR. CLASS | REMARKS | PARTS UPDATE |
|---|-----------------|------|-------------|---------------------|--------------|
| KIT A.-2 CAN./DISP. HARDWARE | X52567-2 | 1 | 000 | | |
| SCREW-10-32X1/2 OVAL HD-NP | 001251 | 4 | 000 | | |
| COLLAR-HOLDING | 046551 | 4 | 000 | | |
| TRAY A.-HOOD MOUNT | X53773 | 1 | 000 | SEE BREAKDOWN ABOVE | 152 |
| DISPENSER A.-2 SMALL*VERTICAL | X53407-1 | | | | |
| BRACKET A.-2 VERTICAL WALL MNT | X53460 | 1 | 000 | | |
| CANISTER A.-SMALL CANDY DISP | X53638-2 | 2 | 000 | SEE BREAKDOWN ABOVE | |
| KIT A. 2 VERTICAL WALL MOUNT | X53461 | 1 | 000 | | |
| DISPENSER A.- LG - SNGL WALL MNT | X53492-1 | | | | |
| BRACKET A.-SINGLE CAN. WALL MNT | X53448 | 1 | 000 | | |
| CANISTER A.-LARGE CANDY DISP | X53638-1 | 1 | 000 | SEE BREAKDOWN ABOVE | |
| KIT A.- SINGLE CAN. WALL MOUNT | X53490 | 1 | 000 | | |
| SCREW-10-32X1/2 OVAL HD-NP | 001251 | 3 | 000 | | |
| COLLAR-HOLDING | 046551 | 3 | 000 | | |
| DISPENSER A.- SM - SNGL WALL MNT | X53492-2 | | | | |
| BRACKET A.-SINGLE CAN. WALL MNT | X53448 | 1 | 000 | | |
| CANISTER A.-SMALL CANDY DISP | X53638-2 | 1 | 000 | SEE BREAKDOWN ABOVE | |
| KIT A.- SINGLE CAN. WALL MOUNT | X53490 | 1 | 000 | SEE BREAKDOWN ABOVE | |
| ACCESSORIES | | | | | |
| COLLAR-BLUE PLASTIC | 051750 | | 000 | | |
| CUP-12 OZ RAZZLE (1000/CASE) | 051967 | | 000 | | |
| CUP-16 OZ RAZZLE (1000/CASE) | 051968 | | 000 | | |
| LID- RAZZLE (1000/CASE) | 051969 | | 000 | | |
| ORGANIZER A.-CUP/LID | X52080 | | 000 | | |
| SCREW-10-24 X 2 SLTD PAN HD | 051444 | | 000 | | |
| ANCHOR-TOGGLE WING ZINC P LATED | 051443 | | 000 | | |
| TEMPLA TE-ORGANIZER MOUNT | 052177-T | | 000 | | |
| COLUMN-LID ORGANIZER | 052084 | | 000 | | |
| SCREW-1/4-15 X 1 HEX (COLUMN) | 052139 | | 000 | | |
| INSERT-SPOON BIN | 052113 | | 000 | | |

+ Available Separately

Wiring Diagram

