

OPERATOR'S MANUAL



Model 345/346/349/355 Slush Freezers

Original Operating Instructions

039710-M

6/19/01 (Original Publication)
Updated 11/22/13

Complete this page for quick reference when service is required:

Taylor Distributor: _____

Address: _____

Phone: _____

Fax: _____

E- mail: _____

Service: _____

Parts: _____

Date of Installation: _____

Information found on the data label:

Model Number: _____

Serial Number: _____

Electrical Specs: Voltage _____ Cycle _____

Phase _____

Maximum Fuse Size: _____ A

Minimum Wire Ampacity: _____ A

© 2001 Carrier Commercial Refrigeration, Inc.
039710- M

Any unauthorized reproduction, disclosure, or distribution of copies by any person of any portion of this work may be a violation of Copyright Law of the United States of America and other countries, could result in the awarding of Statutory Damages of up to \$250,000 (17 USC 504) for infringement, and may result in further civil and criminal penalties.

All rights reserved.



Taylor Company
a division of Carrier Commercial Refrigeration, Inc.
750 N. Blackhawk Blvd.
Rockton, IL 61072

Table of Contents

Section 1	To the Installer	1
	Air Cooled Units	1
	Water Cooled Refrigeration Units (Water Cooled Units Only)	2
	Water Connections	2
	Electrical Connections	2
	Syrup System Connections	4
Section 2	To the Operator	7
Section 3	Safety	8
Section 4	Operator Parts Identification	10
	Model 345	10
	Model 346	11
	Model 349	12
	Model 355	13
	Door Assembly	14
	Accessories	15
Section 5	Important: To the Operator	16
	Symbol Definitions	16
	Control Switch	16
	Liquid Crystal Display	17
	Operational Mode Display	17
	Operator Menu Display	17
	Syrup Out Indicator	22
	CO2 Out Indicator	23
	Water Out Indicator	23
	Audio Alarm Silencer	23
	Product Light	23
	Sampling Valve	23
	Daily Procedures	23
Section 6	Operating Procedures	24
	Assembly	24
	Sanitizing	29
	Priming/Brixing	33
	90 Day Closing Procedure	35
	Draining Product From the Freezing Cylinder	35
	Cleaning	35
	Disassembly	36
	Brush Cleaning	36

Section 7	Important: Operator Checklist	38
	During Cleaning and Sanitizing	38
	Troubleshooting Bacterial Count	38
	Regular Maintenance Checks	38
	Winter Storage	39
Section 8	Troubleshooting Guide	40
Section 9	Parts Replacement Schedule	42
Section 10	Limited Warranty on Equipment	43
Section 11	Limited Warranty on Parts	45
Section 12	Parts List	48
	Wiring Diagrams	70

Note: Continuing research results in steady improvements; therefore, information in this manual is subject to change without notice.

Note: Only instructions originating from the factory or its authorized translation representative(s) are considered to be the original set of instructions.

© 2001 Carrier Commercial Refrigeration, Inc.
(Updated November, 2013)
039710- M

Any unauthorized reproduction, disclosure, or distribution of copies by any person of any portion of this work may be a violation of Copyright Law of the United States of America and other countries, could result in the awarding of Statutory Damages of up to \$250,000 (17 USC 504) for infringement, and may result in further civil and criminal penalties.
All rights reserved.



Taylor Company
a division of Carrier Commercial Refrigeration, Inc.
750 N. Blackhawk Blvd.
Rockton, IL 61072

Section 1

To the Installer

The following information has been included in the manual as safety and regulatory guidelines. For complete installation instructions, please see the Installation Checklist.

Installer Safety



In all areas of the world, equipment should be installed in accordance with existing local codes. Please contact your local authorities if you have any questions.

Care should be taken to ensure that all basic safety practices are followed during the installation and servicing activities related to the installation and service of Taylor equipment.

- Only authorized Taylor service personnel should perform installation and repairs on the equipment.
- Authorized service personnel should consult OSHA Standard 29CFR1910.147 or the applicable code of the local area for the industry standards on lockout/tagout procedures before beginning any installation or repairs.
- Authorized service personnel must ensure that the proper PPE is available and worn when required during installation and service.
- Authorized service personnel must remove all metal jewelry, rings, and watches before working on electrical equipment.



The main power supply(s) to the freezer must be disconnected prior to performing any repairs. Failure to follow this instruction may result in personal injury or death from electrical shock or hazardous moving parts as well as poor performance or damage to the equipment.

Note: All repairs must be performed by an authorized Taylor Service Technician.



This unit has many sharp edges that can cause severe injuries.

Site Preparation

Review the area where the unit will be installed before uncrating the unit. Make sure that all possible hazards to the user and the equipment have been addressed.

Air Cooled Units

Air cooled units require 6" (152 mm) minimum air space around all sides. Failure to allow adequate clearance can reduce the refrigeration capacity of the freezer and possibly cause permanent damage to the compressor(s).

For Indoor Use Only: This unit is designed to operate indoors, under normal ambient temperatures of 70°-75°F (21°-24°C). The freezer has successfully performed in high ambient temperatures of 104° (40°C) at reduced capacities.



This unit must **NOT** be installed in an area where a water jet or hose can be used. **NEVER** use a water jet or hose to rinse or clean the unit. Failure to follow this instruction may result in electrocution.



This unit must be installed on a level surface to avoid the hazard of tipping. Extreme care should be taken in moving this equipment for any reason. Two or more persons are required to safely move this unit. Failure to comply may result in personal injury or equipment damage.

Uncrate the unit and inspect it for damage. Report any damage to your Taylor Distributor.

This piece of equipment is made in the USA and has USA sizes of hardware. All metric conversions are approximate and vary in size.

Water Cooled Refrigeration Units (Water Cooled Units Only)

Failure to use adequate size water lines may cause the unit to go off on high head pressure and shut down. Depending on local water conditions, it may be advisable to install a water strainer to prevent foreign substances from clogging the automatic water valve.

There are two water “in” connections and one water “out” line connection. **DO NOT install a hand shut-off valve on the water “out” line!** Water should always flow in this order: first, through the automatic water valve; second, through the condenser; and third, through the outlet fitting to an **open trap drain**.

IMPORTANT: Water pressures are pre-set at the factory. **Do not adjust the water.** Improper water adjustments may cause operation discrepancies.

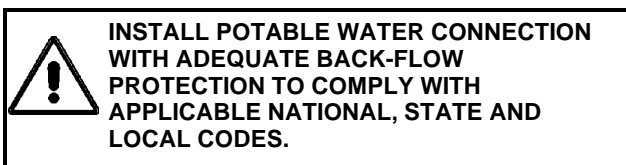


A back flow prevention device is required on the incoming water connection side. Please refer to the applicable National, State, and local codes for determining the proper configuration.

Water Connections

An adequate cold water supply must be provided with a hand shut-off valve. On the back of the unit, a 3/8” (9.5 mm) M.F.L. water connection has been provided for easy hook-up. A flexible line is recommended, if local codes permit. A minimum of 25 psi water pressure is required to avoid having the unit cut out the low water pressure switch. A booster pump must be provided if this pressure is not available.

Note: Water lines beyond 200 ft. (61 m) require 1/2” (13 mm) water lines.



It is always a good practice to have a filter system to improve the quality of the water and to avoid clogging the operating components.

IMPORTANT: The water filter (064422- SER) must be thoroughly flushed with water before connecting it to the machine. This removes carbon particles that could clog the flow control. To flush the filter, connect the inlet end of the filter to the water supply. Position the outlet end of the filter over an empty pail. Open the water supply. Allow water to flow through the filter until the water exiting the filter is clear. Close the water supply. Attach the outlet end of the filter to the machine. Reopen the water supply.

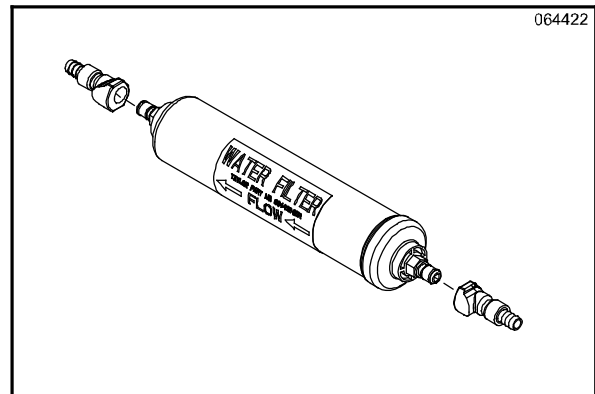


Figure 1

Electrical Connections

In the United States, this equipment is intended to be installed in accordance with the National Electrical Code (NEC), ANSI/NFPA 70- 1987. The purpose of the NEC code is the practical safeguarding of persons and property from hazards arising from the use of electricity. This code contains provisions considered necessary for safety. Compliance therewith and proper maintenance will result in an installation essentially free from hazard! In all other areas of the world, equipment should be installed in accordance with the existing local codes. Please contact your local authorities.



Each unit requires one power supply for each data label on the unit. Check the data label(s) on the freezer for branch circuit overcurrent protection or fuse, circuit ampacity, and other electrical specifications. Refer to the wiring diagram provided inside of the control box for proper power connections.



CAUTION: THIS EQUIPMENT MUST BE PROPERLY GROUNDED! FAILURE TO DO SO CAN RESULT IN SEVERE PERSONAL INJURY FROM ELECTRICAL SHOCK!



DO NOT operate this freezer with larger fuses than specified on the unit data label. Failure to follow this instruction may result in electrocution or damage to the machine.



This unit is provided with an equipotential grounding lug that is to be properly attached to the rear of the frame by the authorized installer. The installation location is marked by the equipotential bonding symbol (5021 of IEC 60417-1) on both the removable panel and the equipment's frame.



Stationary appliances which are not equipped with a power cord and a plug or another device to disconnect the appliance from the power source must have an all-pole disconnecting device with a contact gap of at least 3 mm installed in the external installation.



Appliances that are permanently connected to fixed wiring and for which leakage currents may exceed 10 mA, particularly when disconnected or not used for long periods, or during initial installation, shall have protective devices such as a GFI, to protect against the leakage of current, installed by the authorized personnel to the local codes.



Supply cords used with this unit shall be oil-resistant, sheathed flexible cable not lighter than ordinary polychloroprene or other equivalent synthetic elastomer-sheathed cord (Code designation 60245 IEC 57) installed with the proper cord anchorage to relieve conductors from strain, including twisting, at the terminals and protect the insulation of the conductors from abrasion.

Beater Rotation



Beater rotation must be clockwise as viewed looking into the freezing cylinder.

Note: The following procedures should be performed by a trained service technician.

To correct the rotation on a three-phase unit, interchange any two incoming power supply lines at freezer main terminal block only.

To correct rotation on a single-phase unit, change the leads inside the beater motor. (Follow the diagram printed on the motor.)

Initial Freezing Cylinder Cleaning

Due to the types of products used in FCB equipment, it is imperative that the freezing cylinder and the inlet tube be thoroughly brush cleaned, rinsed, and sanitized before running any product.

Prepare a cleaning solution, using 2 oz. of liquid detergent in 2 gallons of warm water. Using this solution, brush clean the freezing cylinder and the inlet tube. Rinse the freezing cylinder and the inlet tube with clean water and then sanitize, using the sanitizing procedures outlined in this Operator Manual, starting on page 29.

Refrigerant



In consideration of our environment, Taylor uses only earth friendly HFC refrigerants. The HFC refrigerant used in this unit is R404A. This refrigerant is generally considered non-toxic and non-flammable, with an Ozone Depleting Potential (ODP) of zero (0).

However, any gas under pressure is potentially hazardous and must be handled with caution.

NEVER fill any refrigerant cylinder completely with liquid. Filling the cylinder to approximately 80% will allow for normal expansion.



Use only R404A refrigerant that conforms to the AHRI standard 700 specification. The use of any other refrigerant may expose users and operators to unexpected safety hazards.



Refrigerant liquid sprayed onto the skin may cause serious damage to tissue. Keep eyes and skin protected. If refrigerant burns should occur, flush immediately with cold water. If burns are severe, apply ice packs and contact a physician immediately.



Taylor reminds technicians to be cautious of government laws regarding refrigerant recovery, recycling, and reclaiming systems. If you have any questions regarding these laws, please contact the factory Service Department.



WARNING: R404A refrigerant used in conjunction with polyolester oils is extremely moisture absorbent. When opening a refrigeration system, the maximum time the system is open must not exceed 15 minutes. Cap all open tubing to prevent humid air or water from being absorbed by the oil.

Syrup System Connections

1. Water pipe connections and fixtures directly connected to a potable water supply shall be sized, installed and maintained according to federal, state and local laws.
2. Hook up cold water supply to freezer to supply water to the carbonator. A minimum of 21 PSI of water pressure is required at the low pressure switch. The low pressure switch will cause the entire freezer to shut down if the water pressure drops below 7 PSI for longer than one minute.

The water regulator should be set at 35 PSI. When the power switch is turned on the water pump will immediately activate to maintain water pressure.

3. Electrical Hook-Up
 - a. One power cord.
 - b. Refer to the data label.

- c. Be sure all control switches on the front panel are in the "OFF" position.
 - d. The freezer must be properly grounded.
4. A harness with three nylobrade tubes feeds through the base pan and exits the rear of the freezer. (The Model 355 is equipped with four tubes.)
 - a. Connect the CO₂ line to the CO₂ regulator that is closest to the CO₂ tank (primary regulator). This line will supply CO₂ to the freezer.

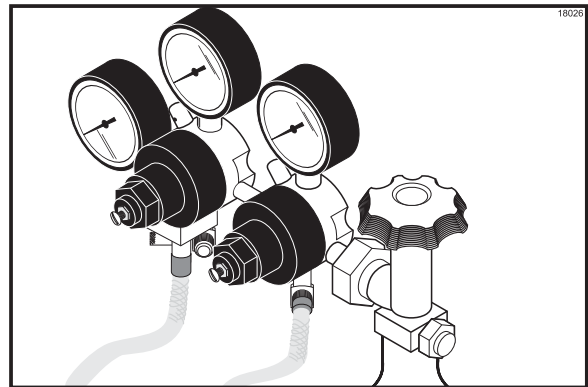


Figure 2

- b. Connect the #1 line to the syrup tank for the left side of the freezer as viewed from the front of the machine. This line will supply syrup to the left syrup sentry.

Note: For Bag-in-Box units (BIB), connect the #1 line to the Bag-In-Box instead of the syrup tank.

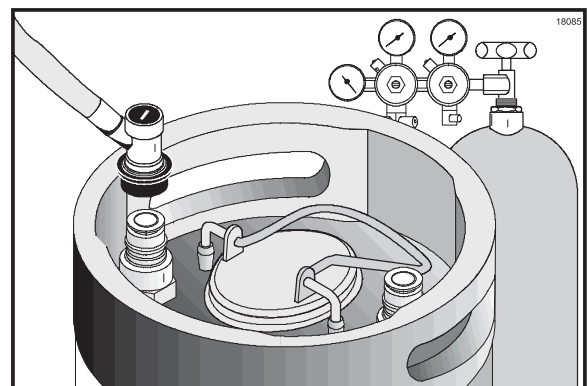


Figure 3

- c. Connect the #2 line to the syrup tank (or the Bag-in-Box) for the right side of the freezer. This line will supply syrup to the right syrup sentry.

d. Connect the #4 line on the Model 355 to the water regulator on the remote carbonator. This line monitors the water pressure supplied to the unit.

5. There are two spare CO₂ lines provided. Use one of the spare CO₂ lines to connect one end to the individual regulator (secondary regulator) and the other end to the first syrup tank. Use the other spare CO₂ line to connect the CO₂ to the second syrup tank.

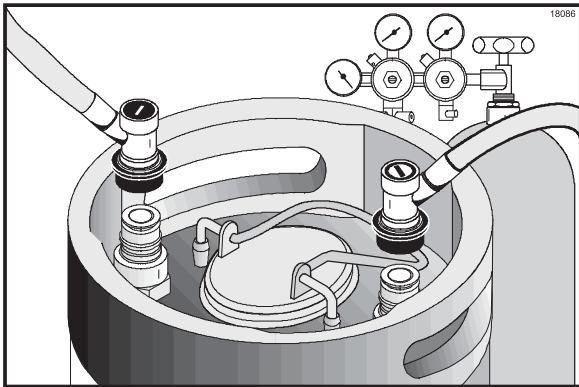


Figure 4

Note: For Bag-in-Box units, connect the CO₂ lines to the Bag-in-Box pumps instead of the syrup tanks.

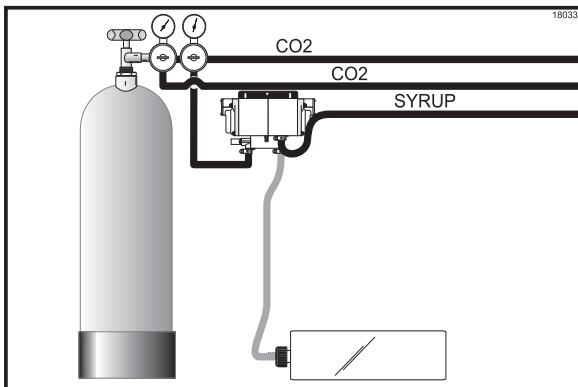


Figure 5

6. Set the primary regulator on the CO₂ tank to 90 PSI (6.2 BAR).

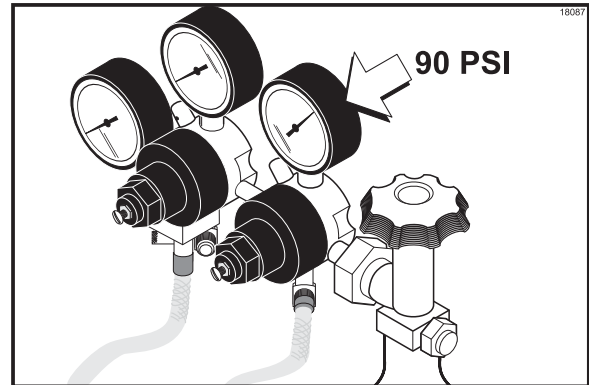


Figure 6

7. Set the secondary regulator on the CO₂ tank to 60 PSI (4.1 BAR) for the syrup tanks or the BIB pumps.

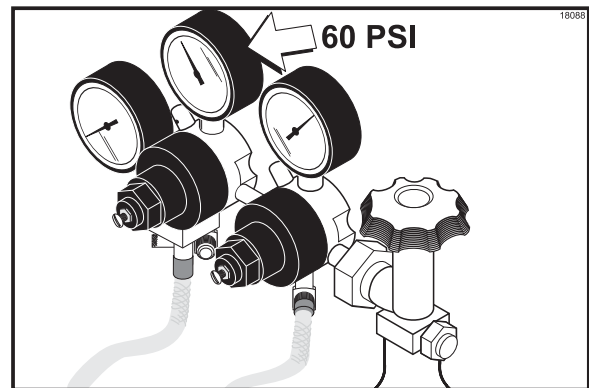


Figure 7

8. Turn the cold water supply on.

9. Check for CO₂ leaks. This can be done by closing the valve on the top of the CO₂ tank. Watch the high pressure gauge; it should hold pressure. If it does not, there is a CO₂ leak. Use a soap solution to locate and repair the leak.

10. For Bag-in-Box syrup delivery system, connect the two spare CO₂ lines from the secondary regulator to each "Gas In" fitting on the pumps. Set secondary regulator pressure to 60 PSI (4.1 BAR) depending on the length of syrup line run to the unit.
Important: Ensure that the Bag-in-Box switch is enabled.
11. The CO₂ regulator assembly (primary regulator) inside the freezer should be set at 60 PSI (4.1 BAR). The secondary regulator, located inside the freezer just behind the primary regulator, can be adjusted from 20 to 25 PSI. (The factory recommendation is 20 PSI.) Increasing the pressure from 20 PSI will increase the overrun. You should always stay within the 20 to 25 PSI range as the gauge reflects the pressure in the hopper and barrel. The setting will be determined by the desired overrun and the syrup used.
12. The CO₂ low pressure switch requires at least 74 PSI before the freezer will start. It is set to cut out at 60 PSI and in at 74 PSI.
13. The pressure relief valve on the hopper cover is set to relieve at 30 PSI in case of excess pressure in the hopper.
14. There are check valves in the CO₂, syrup, and water lines to prevent any back flow of soda water, product, or CO₂.
15. The CO₂ solenoids which supply CO₂ to the hoppers are wired to provide CO₂ in all control settings except "DEFROST" and "OFF".

Section 2

To the Operator

The freezer(s) you have purchased has been carefully engineered and manufactured to give you dependable operation.

This unit(s), when properly operated and cared for, will produce a consistent quality product. Like all mechanical products, this machine will require cleaning and scheduled maintenance. A minimum amount of care and attention is necessary if the operating procedures outlined in this manual are followed closely.

This Operator's Manual should be read before operating or performing any maintenance on your equipment.

Your freezer will NOT eventually compensate and correct for any errors during the set-up or filling operations. Thus, the initial assembly and priming procedures are of extreme importance. It is strongly recommended that all personnel responsible for the equipment's operation study these procedures together in order to be properly trained and to make sure that no misunderstandings exist.

In the event you should require technical assistance, please contact your local authorized Taylor Distributor for service.

Note: Your Taylor warranty is valid only if the parts are authorized Taylor parts, purchased from the local authorized Taylor Distributor, and only if all required service work is provided by an authorized Taylor service technician. Taylor reserves the right to deny warranty claims on units or parts if non-Taylor approved parts or incorrect refrigerant were installed in the unit, system modifications were performed beyond factory recommendations, or it is determined that the failure was caused by abuse, misuse, neglect, or failure to follow all operating instructions. For full details of your Taylor Warranty, please see the Limited Warranty section in this manual.

Note: Constant research results in steady improvements; therefore, information in this manual is subject to change without notice.



If the crossed out wheeled bin symbol is affixed to this product, it signifies that this product is

compliant with the EU Directive as well as other similar legislation in effect after August 13, 2005. Therefore, it must be collected separately after its use is completed, and cannot be disposed as unsorted municipal waste. The user is responsible for returning the product to the appropriate collection facility, as specified by your local code.

For additional information regarding applicable local laws, please contact the municipal facility and/or local distributor.

Compressor Warranty Disclaimer

The refrigeration compressor(s) on this unit are warranted for the term stated in the Limited Warranty section in this manual. However, due to the Montreal Protocol and the U.S. Clean Air Act Amendments of 1990, many new refrigerants are being tested and developed, thus seeking their way into the service industry. Some of these new refrigerants are being advertised as drop-in replacements for numerous applications. It should be noted that in the event of ordinary service to this unit's refrigeration system, **only the refrigerant specified on the affixed data label should be used.** The unauthorized use of alternate refrigerants will void your Taylor compressor warranty. It is the unit owner's responsibility to make this fact known to any technician he employs.

It should also be noted that Taylor does not warrant the refrigerant used in its equipment. For example, if the refrigerant is lost during the course of ordinary service to this machine, Taylor has no obligation to either supply or provide its replacement either at billable or unbillable terms. Taylor does have the obligation to recommend a suitable replacement if the original refrigerant is banned, obsoleted, or no longer available during the five year warranty of the compressor.

Taylor will continue to monitor the industry and test new alternates as they are being developed. Should a new alternate prove, through our testing, that it would be accepted as a drop-in replacement, then the above disclaimer would become null and void. To find out the current status of an alternate refrigerant as it relates to your compressor warranty, call the local Taylor Distributor or the Taylor Factory. Be prepared to provide the Model/Serial Number of the unit in question.

We at Taylor are concerned about the safety of the operator when he or she comes in contact with the freezer and its parts. Taylor has gone to extreme efforts to design and manufacture built-in safety features to protect both you and the service technician. As an example, warning labels have been attached to the freezer to further point out safety precautions to the operator.



IMPORTANT - Failure to adhere to the following safety precautions may result in severe personal injury or death. Failure to comply with these warnings may damage the machine and its components. Component damage will result in part replacement expense and service repair expense.



DO NOT operate the freezer without reading this Operator Manual. Failure to follow this instruction may result in equipment damage, poor freezer performance, health hazards, or personal injury.



This appliance is to be used only by trained personnel. It is not intended for use by children or people with reduced physical, sensory, or mental capabilities, or lack of experience and knowledge, unless given supervision or instruction concerning the use of the appliance by a person responsible for their safety. Children should be supervised to ensure that they do not play with the appliance.



This unit is provided with an equipotential grounding lug that is to be properly attached to the rear of the frame by the authorized installer. The installation location is marked by the equipotential bonding symbol (5021 of IEC 60417-1) on both the removable panel and the equipment's frame.



DO NOT use a water jet to clean or rinse the freezer. Failure to follow these instructions may result in serious electrical shock.



- **DO NOT** operate the freezer unless it is properly grounded.
- **DO NOT** operate the freezer with larger fuses than specified on the freezer data label.
- All repairs must be performed by an authorized Taylor service technician.
- The main power supplies to the machine must be disconnected prior to performing any repairs.
- For Cord Connected Units: Only Taylor authorized service technicians or licensed electricians may install a plug or replacement cord on these units.
- Stationary appliances which are not equipped with a power cord and a plug or another device to disconnect the appliance from the power source must have an all-pole disconnecting device with a contact gap of at least 3 mm installed in the external installation.
- Appliances that are permanently connected to fixed wiring and for which leakage currents may exceed 10 mA, particularly when disconnected, not used for long periods, or during initial installation, shall have protective devices such as a GFI to protect against the leakage of current, installed by authorized personnel to the local codes.
- Supply cords used with this unit shall be oil-resistant, sheathed flexible cable, not lighter than ordinary polychloroprene or other equivalent synthetic elastomer-sheathed cord (Code designation 60245 IEC 57) installed with the proper cord anchorage to relieve conductors from strain, including twisting, at the terminals and protect the insulation of the conductors from abrasion.

If the supply cord is damaged, it must be replaced by an authorized Taylor service technician in order to avoid a hazard.

Failure to follow these instructions may result in electrocution. Contact your local authorized Taylor Distributor for service.



- **DO NOT** allow untrained personnel to operate this machine.
- **DO NOT** operate the freezer unless all service panels and access doors are restrained with screws.
- **DO NOT** remove any internal operating parts (example: freezer door, beater, scraper blades, etc.) unless all control switches are in the OFF position and **ALL PRESSURE IN THE FREEZING CYLINDER HAS BEEN RELIEVED.**

Failure to follow these instructions may result in contaminated product or severe personal injury to fingers or hands from hazardous moving parts.



This unit has many sharp edges that can cause severe injuries.

- **DO NOT** put objects or fingers in the door spout. This may contaminate the product and cause severe personal injury from blade contact.
- **USE EXTREME CAUTION** when removing the beater assembly. The scraper blades are very sharp.



This freezer must be placed on a level surface. Failure to comply may result in personal injury or equipment damage.



Access to the service area of the unit must be restricted to persons having knowledge and practical experience with the unit, in particular as far as safety and hygiene are concerned.



Cleaning and sanitizing schedules are governed by your state or local regulatory agencies and must be followed accordingly. Please refer to the cleaning section of this manual for the proper procedure to clean this unit.



This machine is designed to maintain product temperature under 41°F (5°C). Any product being added to this machine must be below 41°F (5°C). Failure to follow this instruction may result in health hazards and poor freezer performance.



CAUTION: This unit is pressurized when in operation. The control switch must be in the OFF position until the unit is completely assembled. No part should ever be removed from the machine while it is in operation. No part should be removed until the control switch has been turned to the OFF position and all pressure has been relieved by opening the draw valve.

Failure to follow these instructions may result in severe personal injury from hazardous moving parts or from the impact of propelled parts.

IMPORTANT: DO NOT obstruct air intake and discharge openings: These units require 6" (152 mm) minimum air space around all sides. Failure to follow this instruction may cause poor freezer performance and damage to the machine.

For Indoor Use Only: This unit is designed to operate indoors, under normal ambient temperatures of 70°-75°F (21°-24°C). The freezer has successfully performed in high ambient temperatures of 104° (40°C) at reduced capacities.

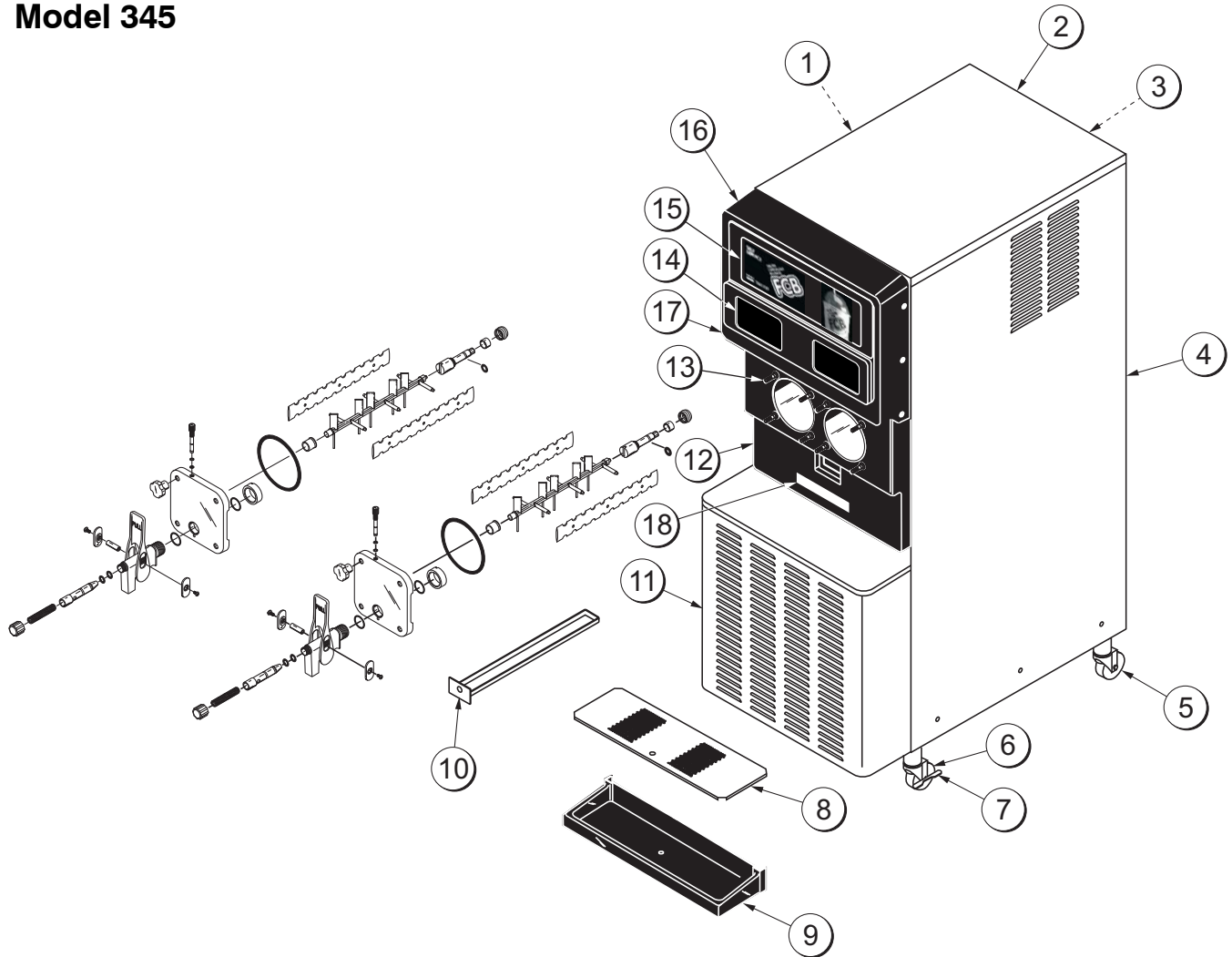
DO NOT run the unit without product. Failure to follow this instruction can result in damage to the unit.

NOISE LEVEL: Airborne noise emission does not exceed 78 dB(A) when measured at a distance of 1.0 meter from the surface of the machine and at a height of 1.6 meters from the floor.

Section 4

Operator Parts Identification

Model 345

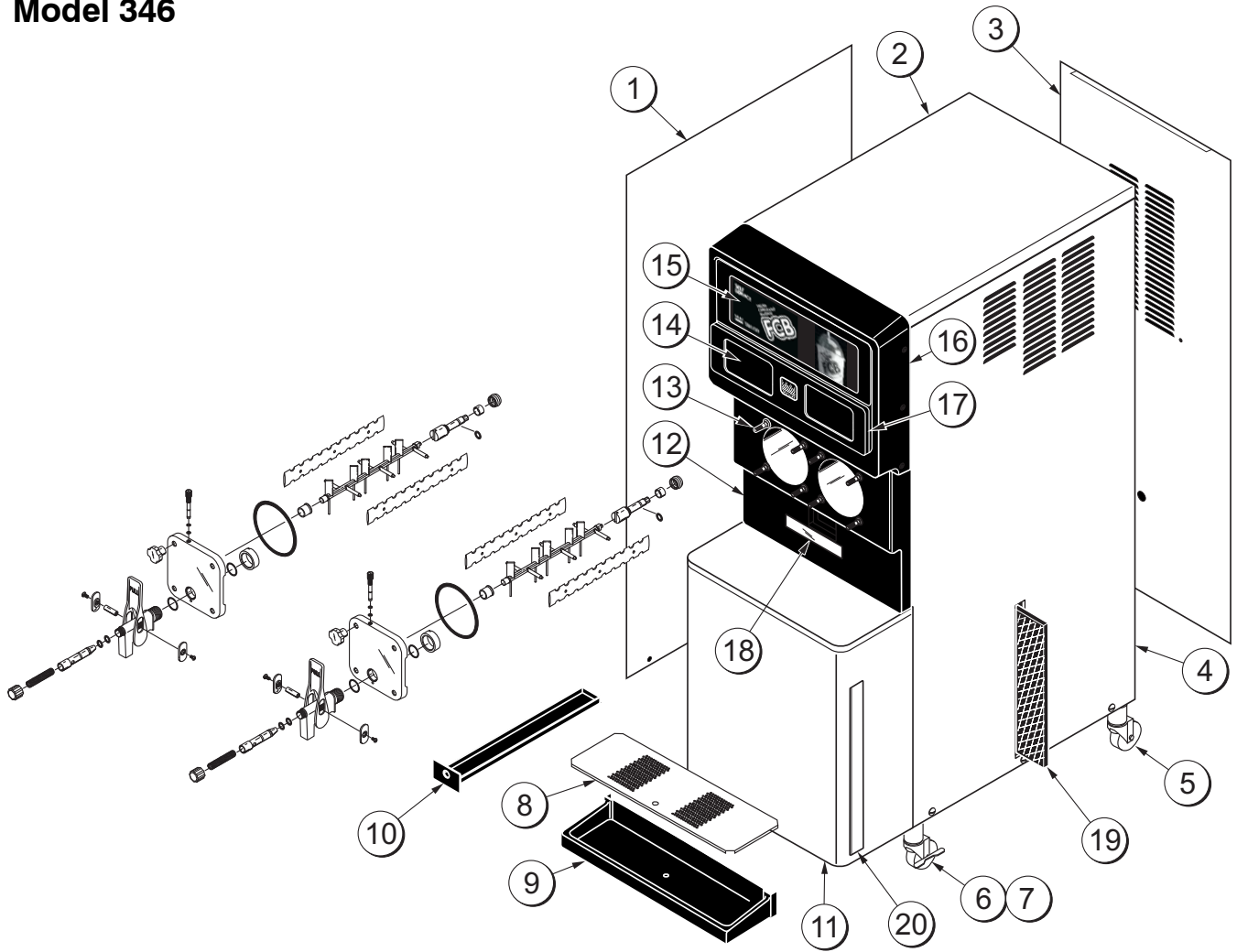


Item	Description	Part No.
1	Panel A.-Side Left	X45136
2	Hood	044618
3	Panel-Rear	044921-SP1
4	Panel A.-Side Right	X44919
5	Caster-Swivel 3/4-10 St. 3"	021279
6	Caster-Locking Swivel - 3"	030307
7	Lock-Caster Bracket	032571
8	Shield-Splash	043719
9	Tray-Drip *345/6* Black w/Drain	043720-SP
10	Pan-Drip 19-1/2 Long	035034

Item	Description	Part No.
11	Panel-Service	044916
12	Panel-Front-Lower	043599-BLA
13	Stud-Nose Cone 5/16-18	020445
*13a	Washer-Freezer Stud	036265
14	Card-Flavor Packet	035324
15	Card-FCB POP	043957
16	Panel-Front-Upper	043600-BLA
17	Plate A.-Dec-345-346-355 Black	043639-BLA
18	Decal- Dec- Taylor Domed	053761
*19	Pan-Drip (White) For Drip Guide	043612

*Not Shown

Model 346

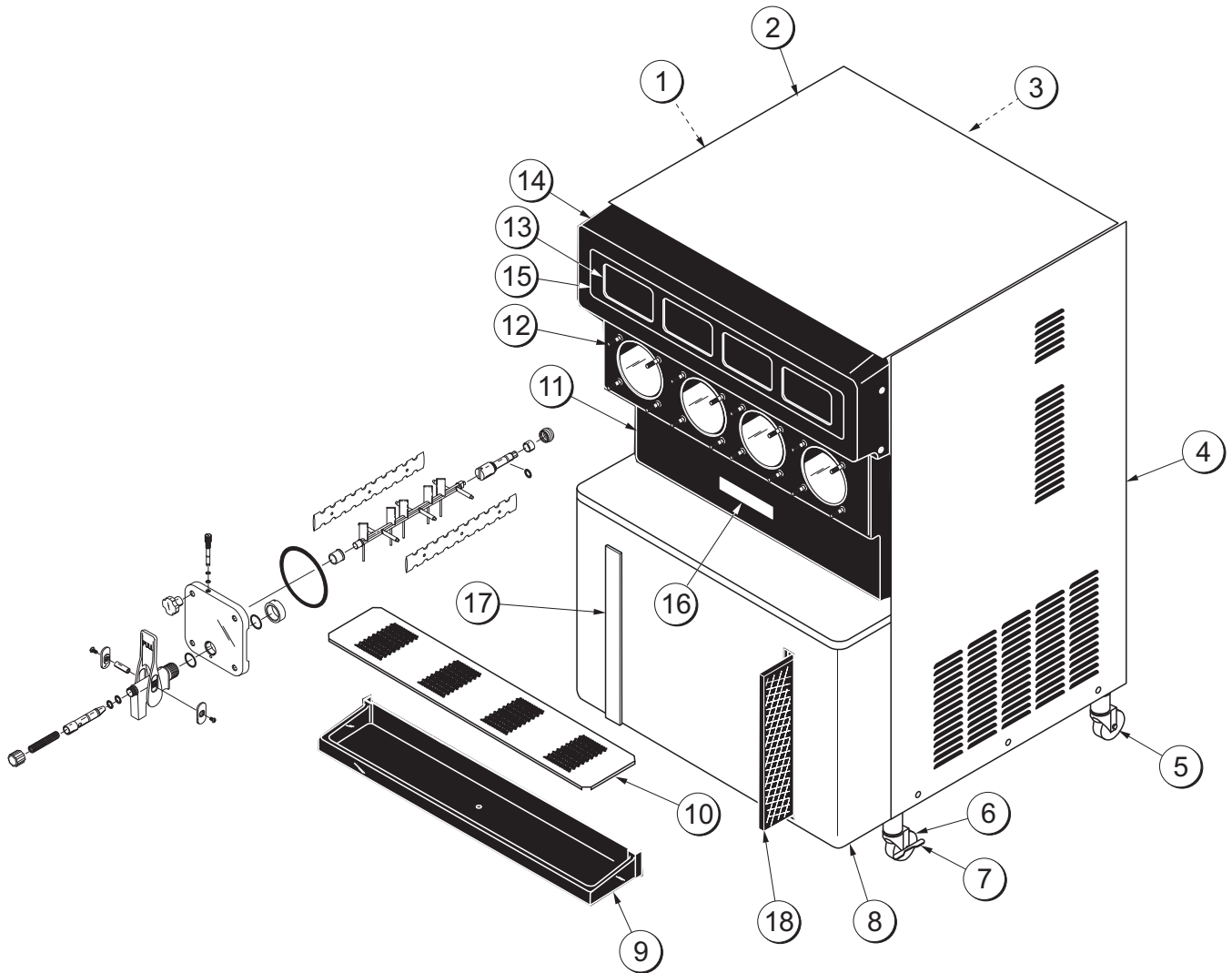


Item	Description	Part No.
1	Panel A.-Side Left	X44917
2	Hood	044618
3	Panel-Rear	044921-SP1
4	Panel A.-Side *346*AC*R*Filter	X53611
5	Caster-Swivel 3/4-10 St. 3"	021279
6	Caster-Locking Swivel 3"	030307
7	Lock-Caster Bracket	032571
8	Shield-Splash	043719
9	Tray-Drip 20" L x 8" D x 3-3/4	043720-SP
10	Pan-Drip 19-1/2 Long	035034
11	Panel-Service *346* Filter	053612

Item	Description	Part No.
12	Panel-Front-Lower	043599-BLA
13	Stud-Nose Cone 5/16-18	020445
*13a	Washer-Freezer Stud	036265
14	Card-Flavor Packet	035324
15	Card-FCB POP	043957
16	Panel-Front-Upper	043600-BLA
17	Plate-Dec-345-346-355* Black	043639-BLA
18	Decal- Dec- Taylor Domed	053761
19	Filter- Air 18L x 16.5H x .70W AC	052779- 1
20	Cover- Hole- Filter- Snap In	053801
*21	Pan-Drip (White) For Drip Guide	043612

*Not Shown

Model 349

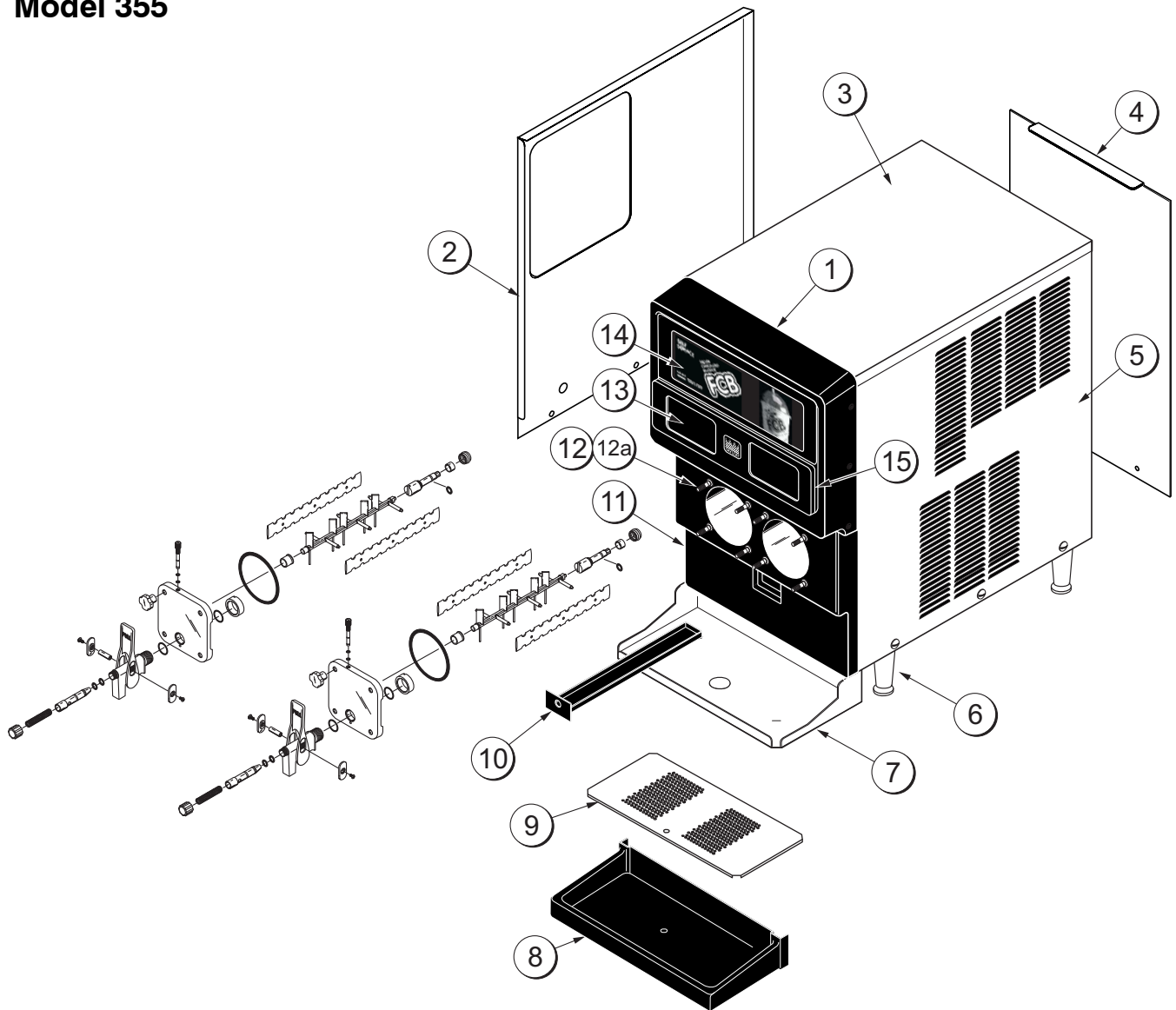


Item	Description	Part No.
1	Panel A.-Side Left	X42289
2	Hood	042166
3	Panel-Rear *349* Drain Hole	042198
4	Panel A.-Side Right	X42291
5	Caster-Swivel 3/4-10 St. 3"	021279
6	Caster-Locking Swivel 3"	030307
7	Lock-Caster Bracket	032571
8	Panel-Service *349* AC	053652
9	Tray-Drip (Black) w/Drain	038275-SP
10	Shield-Splash	038276
11	Panel-Front-Lower	042082-BLA

Item	Description	Part No.
12	Stud-Nose Cone 5/16-18	020445
*12a	Washer-Freezer Stud	036265
13	Card-Flavor Packet	035324
14	Panel-Front Upper	042081-BLA
15	Plate-Dec *349* Black	035410-BLA
16	Decal- Dec- Taylor Domed	053761
17	Cover- Hole- Filter- Snap In	053801
18	Filter- Air 18 L x 16.5 H x .7 W	052779- 1
*19	Pan A.-Drip w/Hose Left	X42201
*20	Pan A.-Drip w/Hose Right	X42203

*Not Shown

Model 355

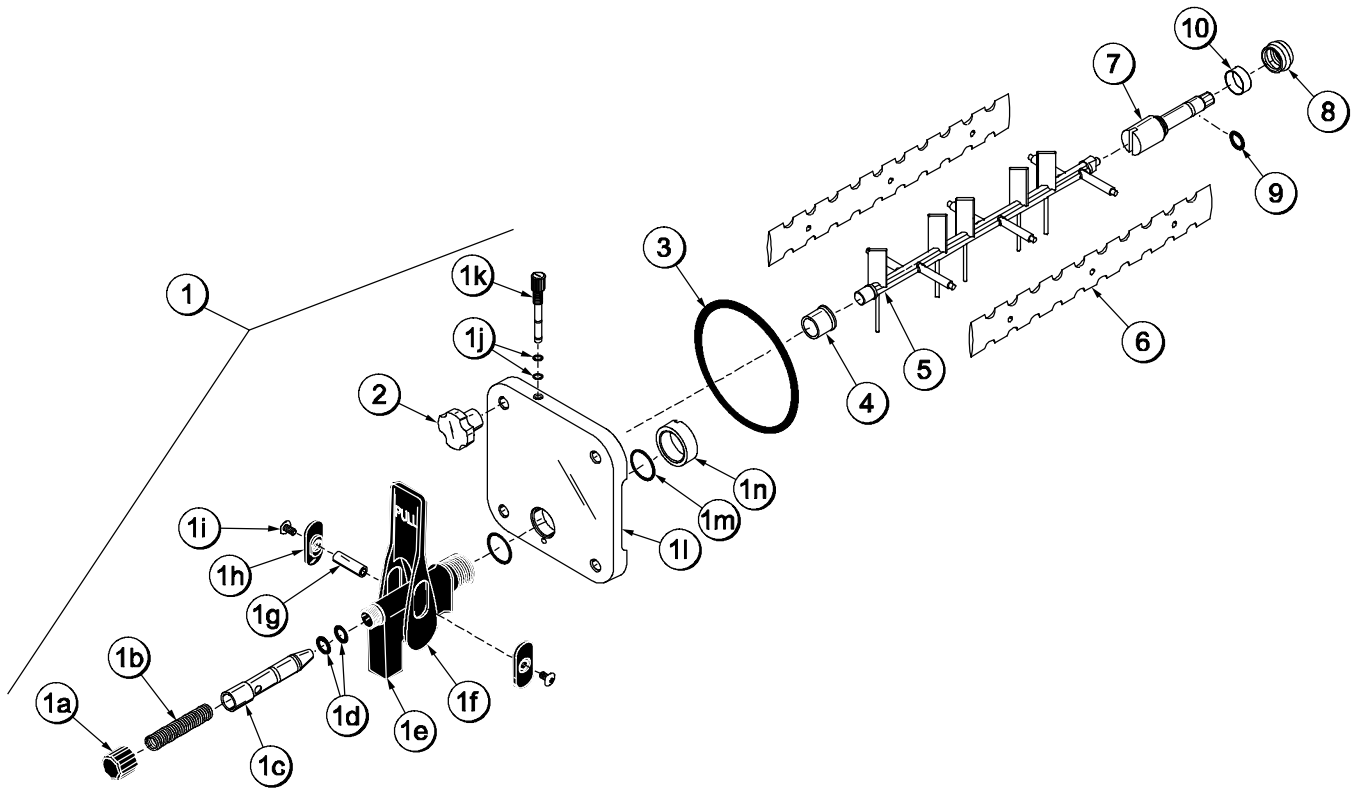


Item	Description	Part No.
1	Panel-Front -Upper	043600-BLA
2	Panel-Side-Left	044619-SP
3	Hood	044618
4	Panel-Rear-Stainless	044621-SS
5	Panel-Side-Right	044620-SP
6	Leg-4" 3/8-16 Stud	036397
7	Shelf-Drip Tray	049697
8	Tray-Drip 20" L x 8" D x 3-3/4	043720
9	Shield-Splash	043719

Item	Description	Part No.
10	Pan-Drip	035034
11	Panel-Front-Lower	043599-BLA
12	Stud-Nose Cone 5/16-18	020445
*12a	Washer-Freezer Stud	036265
13	Card-Flavor Packet	035324
14	Card-FCB POP	043957
15	Plate-Dec-345-346-355 Black	043639-BLA
*16	Pan-Drip (White) For Drip Guide	043612

*Not Shown

Door Assembly

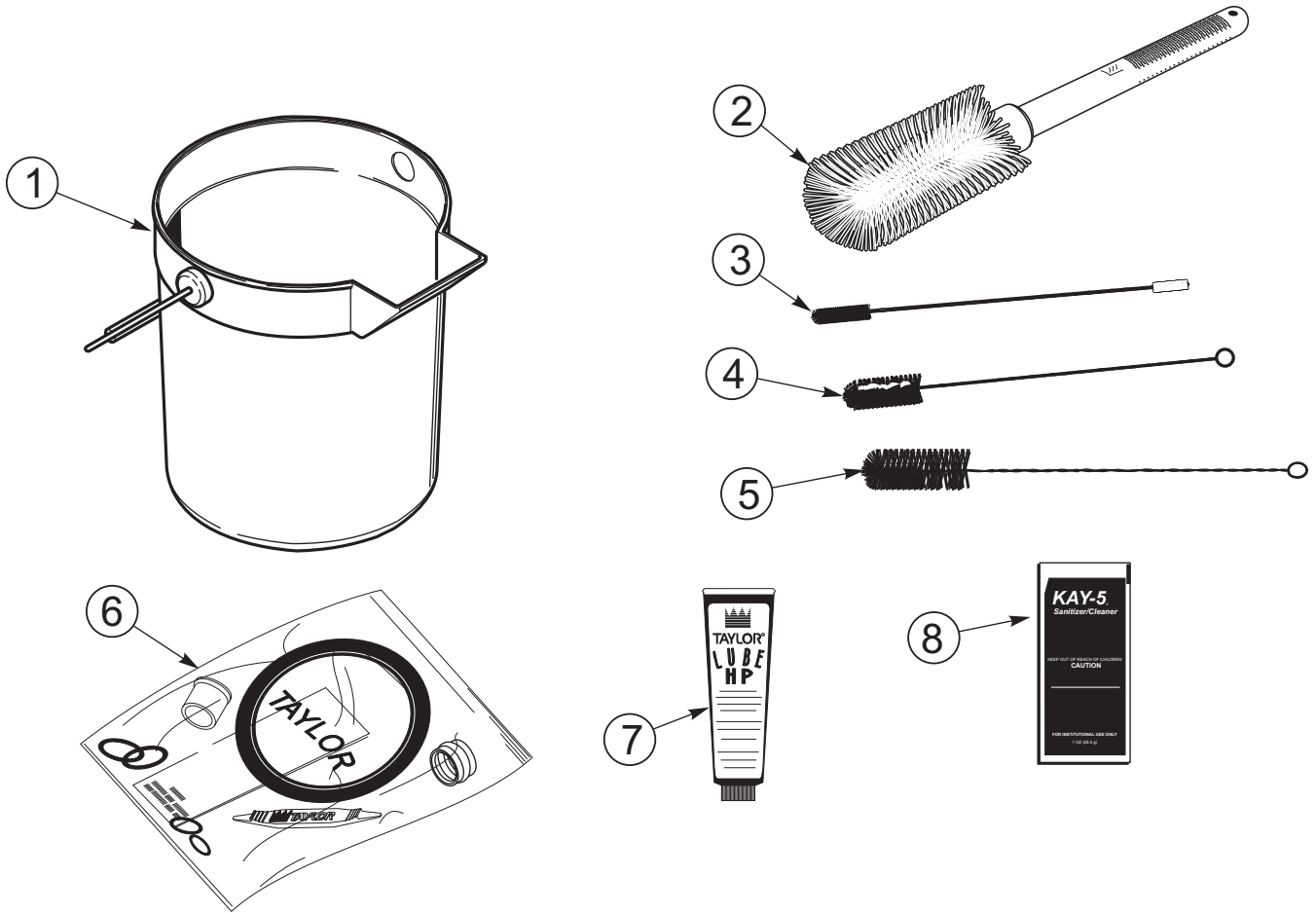


ITEM	DESCRIPTION	PART NO.
1	DOOR	
1a	CAP-SPOUT-DOOR-FCB-BLK	046191-BLA
1b	SPRING-COMP.480X.072X3.0	039320
1c	VALVE-DRAW-DOOR-PRESS.	039324
1d	O-RING-9/16 OD X .103W	016369
1e	SPOUT-DOOR-FCB-BLACK	046190-BLA
1f	HANDLE-DRAW-FCB-BLACK	046192-BLA
1g	PIN-PIVOT-SPOUT-DOOR	039321
1h	SLIDE-HANDLE-DOOR-BLK	046193-BLA
1i	SCREW-10-32X3/8PHL-TRUS HD SS	053869
1j	O-RING-9/32 OD X 1/16 WALL	029751
1k	PLUG-PRIME-SLUSH-PRESS.	039568
1l	DOOR-FREEZER-SLUSH-PRES	039573

ITEM	DESCRIPTION	PART NO.
1m	O-RING-1.129 ODX.989ID	039219
1n	NUT-SPOUT-DOOR-PRESS.	039323
2	NUT-STUD	043666
3	O-RING-5-1/4ODX.210W (DOOR)	017003
4	BEARING-FRONT-PRESSURE	039349
5	BEATER-PLASTIC-FCB-PRESS.	041182
6	BLADE-SCRAPER-FCB-16INCH	041103
7	SHAFT-BEATER-SLUSH-PRES	039337
8	SEAL-DRIVE SHAFT	032560
g*	O-RING-7/8 OD X .139W (BEATER SHAFT)	025307
10	BUSHING-BEATER SHAFT/BOOT SEAL	042278

***NOTE:** O-RING 025307 IS NOT USED ON CURRENT MODELS. HOWEVER, UNITS BUILT PRIOR TO 10/09 THAT HAVE NOT BEEN UPDATED WITH METAL REAR SHELL BEARING X67222 STILL REQUIRE O-RING.

Accessories



ITEM	DESCRIPTION	PART NO.
1	PAIL-MIX 10 QT	013163
2	BRUSH-MIX PUMP BODY-3\"X7\"	023316
3	BRUSH-DOUBLE ENDED	013072
4	BRUSH-REAR BRG 1\"DX2\"L	013071
5	BRUSH-DRAW VALVE 1-1/2\"OD	014753

ITEM	DESCRIPTION	PART NO.
6	KIT A.-TUNE UP	X39699
7	LUBRICANT-TAYLOR HI PERF	048232
8	SANITIZER KAY-5 25 PACKETS	041082
*	SANITIZER STERA-SHEEN	010425

*NOT SHOWN

Section 5

Important: To the Operator

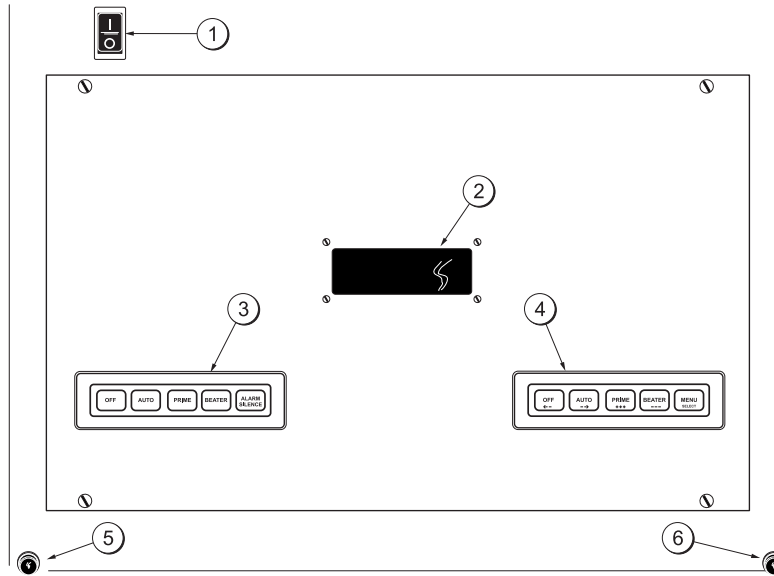









Figure 8

Item	Description
1	Control Switch
2	Liquid Crystal Display
3	Keypad- Left
4	Keypad- Right
5	Product Light- Left Side
6	Product Light- Right Side

The following chart identifies the symbol definitions used on the Model 349.

-  = ON
-  = OFF
-  = AUTO
-  = PRIME
-  = BEATER MOTOR
-  = ALARM SILENCE
-  = MENU/SELECT

Symbol Definitions

To better communicate in the International arena, the words on many of our operator switches and keys have symbols to indicate their functions. The Model 349 is designed with these International symbols.

Control Switch

The control switch is located on the top of the control channel. When placed in the ON position, allows Slushtech™ operation.

Finding Current Fault Conditions

Screen B is FAULT DESCRIPTION. The fault description will indicate if there is a fault in one of the freezing cylinders. When the actual fault is corrected, the warning tone will stop. Only items 9 and 10 require pressing the OFF/<--- key to clear the fault message and the warning tone.

Fault Messages	
Beater Overload	Beater is out on overload.
Chk Refrig Sys Psi	Compressor is out on high head pressure (or low suction pressure = option that applies to some units)
Thermistor Short	Shorted thermistor probe.
Thermistor Open	Open thermistor probe.
H2O Pressure Low	Water pressure is low.
CO2 Pressure Low	CO ₂ pressure is low.
Syrup Pressure Low	Syrup is no longer present.
BRL Temp 2 High	Freezing cylinder temperature is above 120°F (49°C).
BRL Not Cooling	Freezing cylinder is not cooling after 5 minutes.
No Fault Found	No fault conditions are apparent.

The following are explanations of the possible faults and the display screens.

Lines 2 and 3 indicate the faults found in the left and right freezing cylinders respectively. The screen below indicates that no faults exist on either side. To see if there is more than one fault, press the +++ key.

Note: On a Model 349, faults for freezing cylinders 1 and 2 are shown on the first screen. Press the SEL key to read fault messages for freezing cylinders 3 and 4.

1. **NO FAULT FOUND** - No fault conditions are apparent.

FAULT DESCRIPTION	
L: NO FAULT FOUND	
R: NO FAULT FOUND	
CLR	+++ SEL

2. **BEATER OVERLOAD** - Beater motor is out on overload. When this fault occurs, the machine automatically turns off. The fault clears when the condition is corrected.

FAULT DESCRIPTION	
L: BEATER OVERLOAD	
R: BEATER OVERLOAD	
CLR	+++ SEL

3. **CHK REFRIG SYS PSI** - Compressor is out on high head pressure (or low suction pressure = option that applies to some units). When this fault occurs, the machine automatically turns off. The fault clears when the condition is corrected.

FAULT DESCRIPTION	
L: CHK REFRIG SYS PSI	
R: CHK REFRIG SYS PSI	
CLR	+++ SEL

4. **THERMISTOR SHORT** - One or both of the barrel (freezing cylinder) thermistor probes are faulty.

FAULT DESCRIPTION	
L: THERMISTOR SHORT	
R: NO FAULT FOUND	
CLR	+++ SEL

5. **THERMISTOR OPEN** - One or both of the barrel (freezing cylinder) thermistor probes are faulty.

FAULT DESCRIPTION	
L: THERMISTOR OPEN	
R: NO FAULT FOUND	
CLR	+++ SEL

6. **SYRUP PRESS LOW** - When the syrup out indicator displays a lack of syrup, a 15 minute internal timer will start. At this time, no refrigeration or product flow from the flow control will be allowed. Only the beater and CO₂ operate. If the syrup is not replenished at the end of the 15 minutes, the freezing cylinder will shut down and this fault message will appear. Replenish the syrup, and the fault message and warning tone will clear. If using a tank system, priming may be required. (Example shown is for the right side.)

FAULT DESCRIPTION		
L:	NO FAULT FOUND	
R:	SYRUP PRESS LOW	
CLR	+++	SEL

7. **CO₂ PRESSURE LOW** - When the CO₂ out indicator displays a lack of CO₂, a 60 second internal timer will start. If the CO₂ is not replenished at the end of the 60 seconds, both freezing cylinders will shut down and this fault message will appear. Replenish the CO₂ and the fault message and warning tone will clear.

FAULT DESCRIPTION		
L:	CO ₂ PRESSURE LOW	
R:	CO ₂ PRESSURE LOW	
CLR	+++	SEL

8. **H₂O PRESSURE LOW** - When the water out indicator displays a lack of water, a 60 second internal timer will start. If the water is not replenished at the end of the 60 seconds, all freezing cylinders will shut down and this fault message will appear. Replenish the water and the fault message and warning tone will clear.

FAULT DESCRIPTION		
L:	H ₂ O PRESSURE LOW	
R:	H ₂ O PRESSURE LOW	
CLR	+++	SEL

9. **BRL NOT COOLING** - A freezing cylinder check has been established for the AUTO mode of operation. If a freezing cylinder enters the AUTO mode, the control will check product temperature. After five minutes, it will again check product temperature. If product temperature does not drop in that five minute time span, the freezing cylinder will shut down and this message will appear on the fault screen. For this check to be valid, the product temperature must be above 40°F (4.4°C), and the fill switch cannot be activated. If a fill condition exists during this time, the five minute check will be re-initiated.

FAULT DESCRIPTION		
L:	BARREL NOT COOLING	
R:	NO FAULT FOUND	
CLR	+++	SEL

10. **BRL TEMP 2 HIGH** - A maximum allowable product temperature has been established to prevent product from excessive heating. If the product exceeds 120°F (49°C) temperature for any reason (in any mode of operation), the entire unit shuts down.

FAULT DESCRIPTION		
L:	BARREL TEMP 2 HIGH	
R:	NO FAULT FOUND	
CLR	+++	SEL

Faults, when corrected, are cleared from the fault description screen, with the following exceptions: BRL NOT COOLING and BRL TEMP 2 HIGH. These faults require the operator to press the OFF key (when in the FAULT DESCRIPTION screen) in order for the fault to discontinue.

To see if there is more than one fault in either freezing cylinder, press the plus key. To return to the OPERATOR MENU, press the SEL key once. To return to the Main Screen, use the right arrow key to cycle to MENU ITEM A, then press the SEL key.

Screen C is SET CLOCK. Move the cursor under the number you wish to change. Press the +++ key to increase the number; press the - - - key to decrease the number. When the desired time and date appears, press the SEL key once to return to the OPERATOR MENU.

Note: The clock is programmed with military time.

SET CLOCK			
14:30		6/25/01	
<- - - - ->	+++	- - -	SEL

This screen will appear if an invalid date is entered. (example: If the date entered exceeds the days of that month.)

SET CLOCK			
14:30		02/31/01	
	INVALID DATE		SEL

This screen allows the Daylight Saving Time options.

DAYLIGHT SAVING TIME			
<u>ENABLE</u>		DISABLE	
<- - - - ->			SEL

If the Daylight Saving Time option is enabled, then the time will be advanced by one hour at 2:00 a.m. on the first Sunday in April, and will be retarded by one hour at 2:00 a.m. on the last Sunday in October.

Screen D is MANUAL DEFROST. This screen allows the operator to **manually defrost** the left side of the unit.

Place the cursor under YES, press the SEL key, and the command will be executed.

MANUAL DEFROST			
LEFT SIDE		<u>YES</u>	NO
<- - - - ->			SEL

Repeat the procedure for the right side of the unit.

MANUAL DEFROST			
RIGHT SIDE		<u>YES</u>	NO
<- - - - ->			SEL

Note: The models 345 and 355 allow only one freezing cylinder to be defrosted at a time. This applies to freezing cylinder pairs on the model 349. Attempting to place a freezing cylinder into defrost while the other freezing cylinder is defrosting will result in the following screen. (Model 346 does not have this restriction.)

ALREADY IN DEFROST			
--------------------	--	--	--

Press the SEL key to return the unit to the OPERATOR MENU.

Screen E is SYSTEM INFORMATION. It consists of 6 display features.

Press the SEL key to advance to the next feature.

The first feature indicates the **software version**.

SYSTEM INFORMATION			
355 CONTROL UVC2			
VERSION 2.03			
			SEL

The second feature indicates the bill of material number and the serial number.

It also indicates if the unit is equipped with a water pressure switch.

```

B.O.M. 035527C000
S/N K0000000
WITH H2O PRESS SW
SEL
  
```

The third feature indicates the version number of the language and text.

```

SYSTEM INFORMATION
LANGUAGE
VERSION 1.05      ENGLISH 386
SEL
  
```

The fourth feature will display the **Power Saver Mode**, as **OFF**, **REST**, or **STANDBY**.

If the Power Saver Mode is OFF, the following screen will be displayed.

```

POWER SAVER MODE
OFF
SEL
  
```

If a Power Saver Mode is programmed, one of the following screens will appear. (The model 349 will display defrost information for freezing cylinders 1, 2, 3, and 4 instead of LEFT and RIGHT.)

There are seven possible Power Saver Mode time frames (cycles). The second display line shows the cycle (1 of 7) as well as the time and day at which the Power Saver Mode will begin for that cycle. The third line shows the time and day that the Power Saver Mode will end for that cycle. Press the +++ or --- keys to view other cycles.

```

POWER SAVER REST
CYCLE 1          SUN      01:00
                  SUN      08:30
      +++      ---      SEL
  
```

```

POWER SAVER STANDBY
CYCLE 1          SUN      01:00
                  SUN      08:30
      +++      ---      SEL
  
```

The fifth feature will indicate the left side defrost time(s) and which day(s) the defrost will occur.

Each freezing cylinder has eight possible defrost times (cycles) for each day of the week. If all seven days have the same time for a given cycle, then the following screen will appear. This example shows that ALL seven days have CYCLE 1 programmed for 9:00. Press the +++ or --- keys to view other cycles.

```

DEFROST TIME LEFT
CYCLE 1          ALL      09:00
      +++      ---      SEL
  
```

If one or more days of the week have a given cycle programmed at different times, then the following display will appear. This example shows that Sunday's CYCLE 1 is programmed for 9:00. The fact that SUN is displayed (instead of ALL) indicates that some other day(s) CYCLE 1 is programmed for a different time (or not programmed at all). Using the cursor keys, place the cursor under the cycle number. Press the +++ or --- keys to view other defrost times (cycles) for the day shown. Place the cursor under the day (SUN) and press the +++ or --- keys to access the other days of the week.

```

DEFROST TIME LEFT
CYCLE 1          SUN      09:00
<- - - - - >   +++      ---      SEL
  
```

The sixth feature will indicate the right side defrost time(s) and which day(s) the defrost will occur.

Note: The functionality is the same as described previously for the left side defrost.

```

DEFROST TIME RIGHT
CYCLE 1          ALL      10:00
      +++      ---      SEL
  
```

DEFROST TIME RIGHT		
CYCLE <u>1</u>	SUN	10:00
< - - - - >	+++ - - -	SEL

Press the SEL key to return to the OPERATOR MENU.

Screen F is CURRENT CONDITIONS. This screen displays the current viscosity and product temperature for each freezing cylinder. An **asterisk** will indicate which side is refrigerating. Press the SEL key to return to the OPERATOR MENU.

Note: Viscosity is checked only when product temperature is below 40°F/4.4°C.

The following screen is exemplary of models 345, 346, and 355. The model 349 displays all four freezing cylinders.

CURRENT CONDITIONS		
L*	999HD	27.5F
R	1200HD	26.5F
		SEL

Screen G is FAULT HISTORY. This option provides a record of the last 20 faults. The display also indicates the date and time each fault occurs.

FAULT HISTORY	1
06/25/01	08:34
NO FAULT FOUND	
+++ - - -	SEL

Press the arrow keys to increase or decrease the **fault page**.

Page numbers are located in the upper right hand corner of the display. The most recently recorded fault will appear on page 1.

FAULT HISTORY	2
06/25/01	08:33
R SYRUP PRESS LOW	
+++ - - -	SEL

The fault **description** is listed on the third line of the fault page.

FAULT HISTORY	3
06/25/01	08:32
B H2O PRESS LOW	
+++ - - -	SEL

Press the MENU/SEL key to return to the OPERATOR MENU.

Screen H is SERVICE MENU. This screen allows the authorized service technician to access service information. Return to the OPERATOR MENU by using the arrow keys to move the cursor under the letter "A", and press the MENU/SEL key.

OPERATOR MENU	
A B C D E F G H	
SERVICE MENU	
< - - - - >	SEL

Syrup Out Indicator

AUTO OUT	MODE SYRUP	AUTO OK
CO2-OK		WATER-OK

If the word "OUT" appears in one of the columns next to the word "SYRUP", it indicates a lack of syrup or syrup pressure being supplied for the indicated freezing cylinder. If the unit is in the AUTO or PRIME modes, the product light will flash and a warning tone will sound for that freezing cylinder. At this time, replace the appropriate syrup. As a safety feature, the refrigeration system automatically stops to prevent a freeze-up in the freezing cylinder.

If a syrup out condition occurs on one side, that side will enter the HOLD mode at which time refrigeration remains off, the beater continues to run, and the CO₂ solenoid is closed for that side to prevent the dispensing of product. The opposite side will not be affected.

CO₂ Out Indicator

AUTO OK	MODE SYRUP	AUTO OK
CO ₂ - OUT		WATER- OK

On the LCD, if the word “OUT” appears next to the word “CO₂” it indicates a lack of CO₂ being supplied to the freezer. The product light will also flash and a warning tone will sound. This will continue until the CO₂ is replaced. If the CO₂ is not replaced within one minute, the machine will shut down and a fault message will appear.

Water Out Indicator

AUTO OK	MODE SYRUP	AUTO OK
CO ₂ - OK		WATER- OUT

On the LCD, if the word “OUT” appears next to the word “WATER”, it indicates a lack of water being supplied to the freezer. In addition, the product light will flash and a warning tone will sound. This will continue until the proper amount of water is supplied to the freezer. If the water is not supplied within one minute, the machine will shut down and a fault message will appear.

Audio Alarm Silencer

The audio alarm will be disabled if the ALARM SILENCE key is pressed. If a new fault or fault condition occurs or the system mode changes, the audio alarm will be re-enabled automatically. If the audio alarm is silenced for greater than 30 minutes without correcting the fault, it will be re-enabled automatically.

Product Light

When the light is flashing, it indicates that the product is not at serving viscosity. This will occur during the initial freeze down, a defrost cycle and a FAULT condition and during power saver modes.

Sampling Valve

The sampling valve is located behind the front drip tray. The sampling valve is used to obtain a brix reading.

Daily Procedures

The following procedure should be performed **daily**.

Remove the splash shield, front drip tray and center drip pan. Take these parts to the sink and brush-clean them. Re-install the parts onto the freezer.

Section 6

Operating Procedures

The Models 345, 346 and 355 contain two 7 quart (6.6 liter) freezing cylinders. The Model 349 contains four 7 quart (6.6 liter) freezing cylinders.



CAUTION: This unit is pressurized when in operation. The control switch, located on the top side of the control box must be in the OFF position until the unit is completely assembled. No part should ever be removed from the machine while it is in operation. No parts should be removed until the control switch has been turned to the OFF position and all pressure has been relieved at the draw handle.

The syrup flow controls combine the two ingredients of soda water and syrup, and send this combination to the mix hoppers. As product is drawn, new product from the hopper will flow through a mix feed tube down into the freezing cylinder. The mix hopper is supplied with 20 pounds of CO₂ gas for dispensing the finished product.

We begin our instructions at the point where the parts are disassembled and laid out to air dry.

The following procedures will show you how to assemble the parts into the freezer, sanitize them, and prime the freezer with fresh product.

Duplicate the following procedures, where they apply, for the remaining freezing cylinder(s).

If you are disassembling the machine for the first time or need information to get to this starting point in our instructions, turn to page 36 , “Disassembly” and start there.

Assembly



MAKE SURE THE CONTROL SWITCH IS IN THE OFF POSITION. Failure to do so may result in personal injury or component damage.

Note: When lubricating parts, use an approved food grade lubricant (example: Taylor Lube HP).

Step 1

Lubricate the o-ring groove. Slide the o-ring into the groove on the drive shaft. Lubricate the drive shaft seal groove, the o-ring, and the shaft portion that comes in contact with the bearing on the beater drive shaft. **DO NOT** lubricate the hex end of the drive shaft.

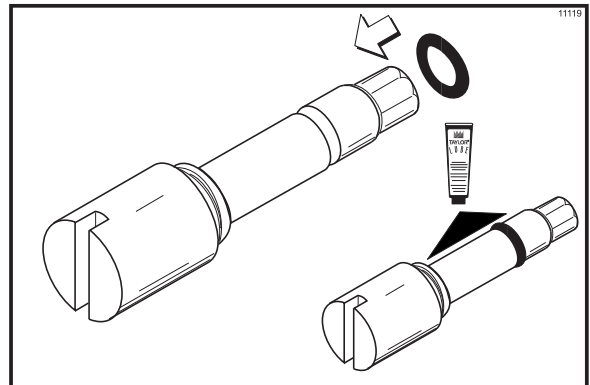


Figure 9

Lubricate the inside diameter of the drive shaft seal. Install the drive shaft seal bushing in the drive shaft seal.

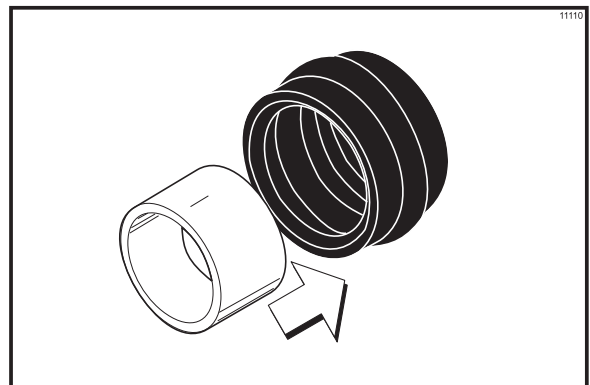


Figure 10

Note: The drive shaft bushing must be positioned in the center of the drive shaft seal.

Slide the seal and bushing over the shaft and groove until it snaps into place. Fill the inside portion of the seal with 1/4" more lubricant and evenly lubricate the end of the seal that fits onto the rear shell bearing.

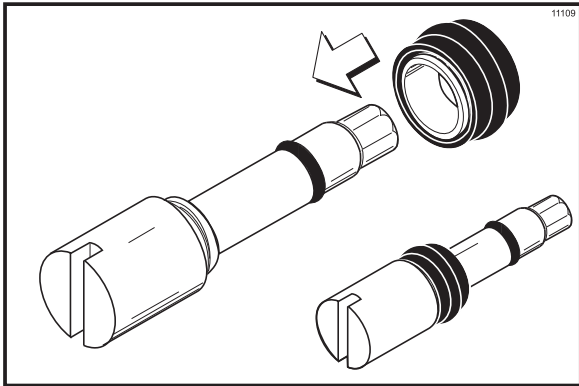


Figure 11

Insert the beater drive shaft into the freezing cylinder, hex end first, and into the rear shell bearing until the seal fits securely over the rear shell bearing. Be certain the drive shaft fits into the drive coupling without binding. Remove any excess lubricant from the seal.

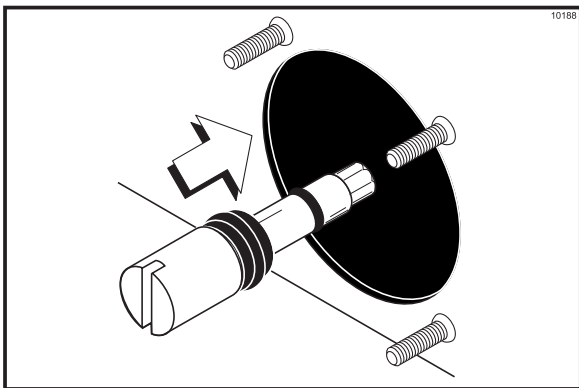


Figure 12

Step 2

Install the beater assembly. First check the scraper blades for any nicks or signs of wear. If any nicks are present or if the blade is worn, replace both blades. If the blades are in good condition, place the scraper blades over the holding pins on the beater.

Note: Each hole on the scraper blade must fit securely over each pin.

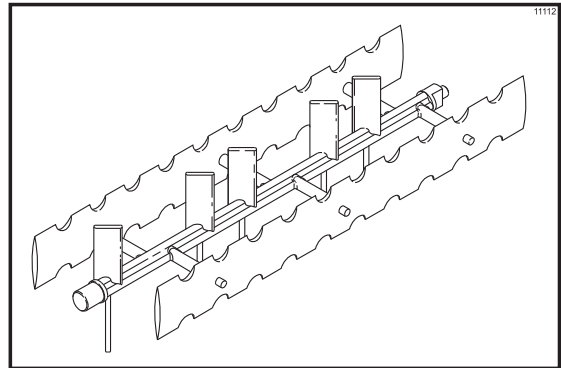


Figure 13

Align the flats on the end of the beater assembly with the drive shaft. Make sure the beater assembly locating pin is in position in the locating hole of the drive shaft. Turn the beater slightly to be certain that the beater is properly seated. When in position, the beater will be approximately 3/8" inside the front of the freezing cylinder.

Important: Failure to properly seat the beater may cause damage to the beater and the door.

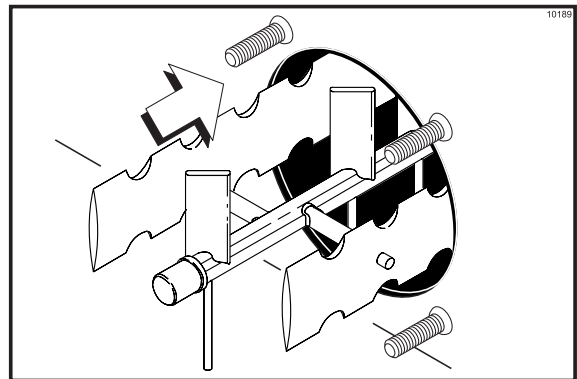


Figure 14

Note: The scraper blades on the beater assembly should be in the 6 and 12 o'clock positions. This will enable freezer door installation.

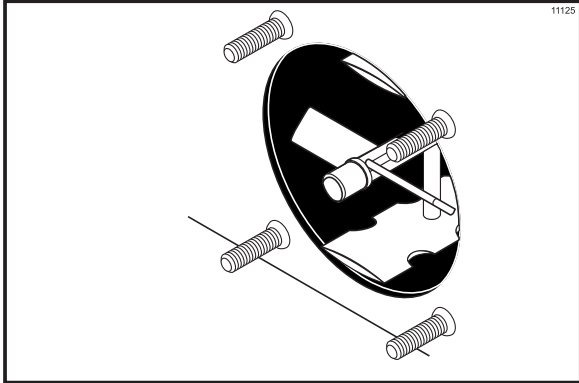


Figure 15

Step 3

Install the draw valve. Slide the two o-rings into the grooves on the draw valve. Lubricate the o-rings and the valve as illustrated below.

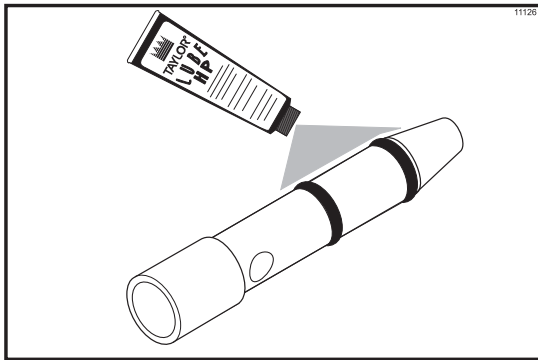


Figure 16

Insert the draw valve into the freezer door spout from the front of the unit. The valve is properly installed when the hole in the draw valve is visible in the slot of the freezer door spout.

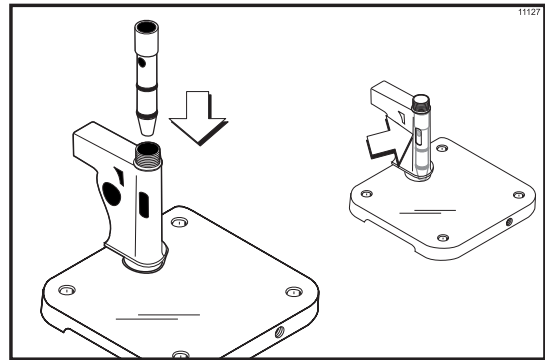


Figure 17

Snap the draw valve handle onto the door spout. Align the hole in the draw valve with the slot in the draw handle.

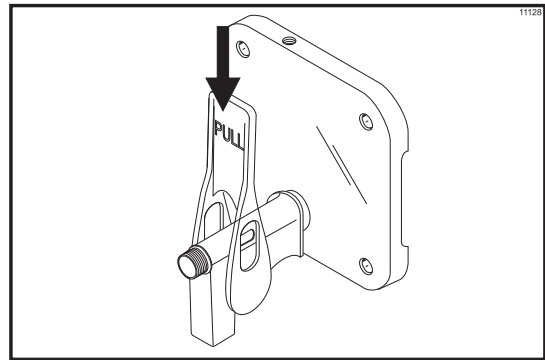


Figure 18

Slide the pivot pin through the draw handle and into the draw valve.

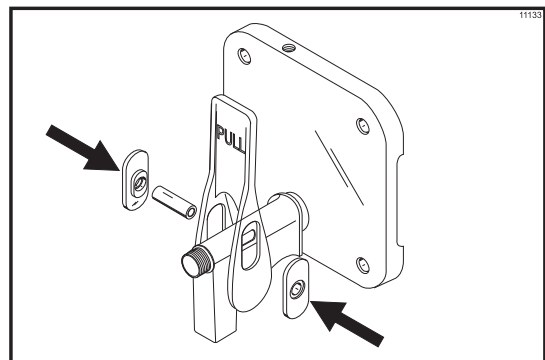


Figure 19

Place the draw handle slide over the opening in the draw handle and the pivot pin. Secure the assembly with screws.

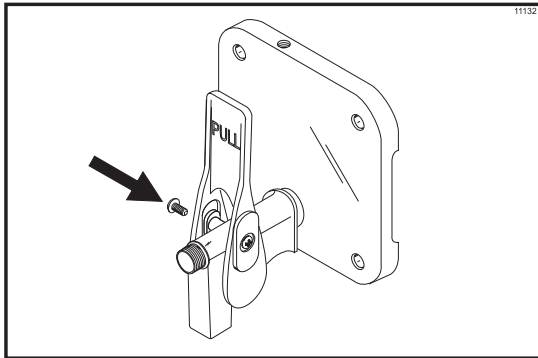


Figure 20

Insert the spring into the front of the door spout.

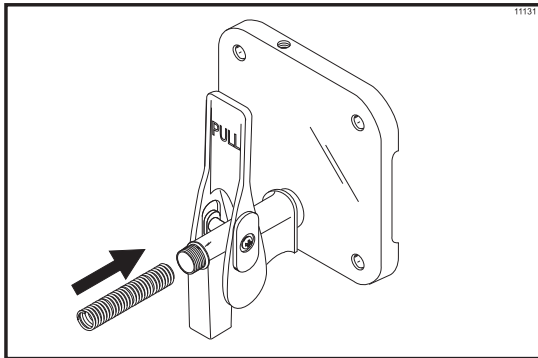


Figure 21

Place the threaded cap on the end of the draw valve cavity. Turn the cap clockwise until it is secure.

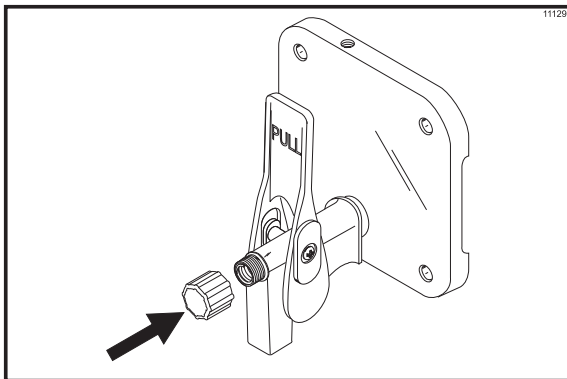


Figure 22

Step 4

Install the prime plug. Place the two o-rings on the prime plug and lightly lubricate.

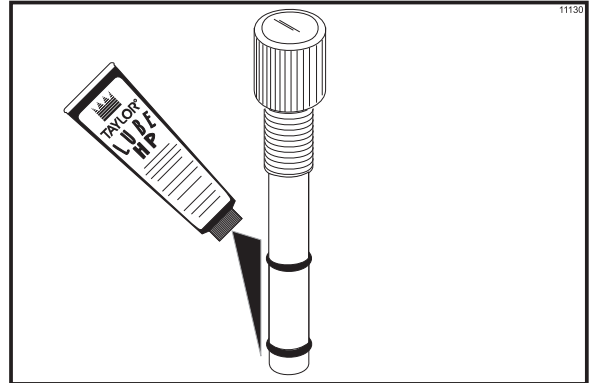


Figure 23

Step 5

Place the large o-ring into the door groove and lightly lubricate.

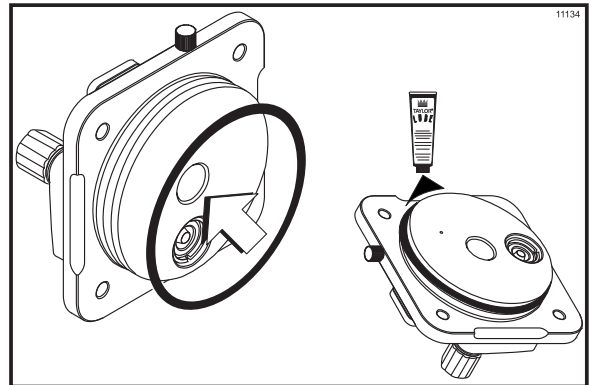


Figure 24

Note: Every three months, discard the o-rings and install new o-rings.

Step 6

Install the front bearing. **Do not** lubricate the front bearing.

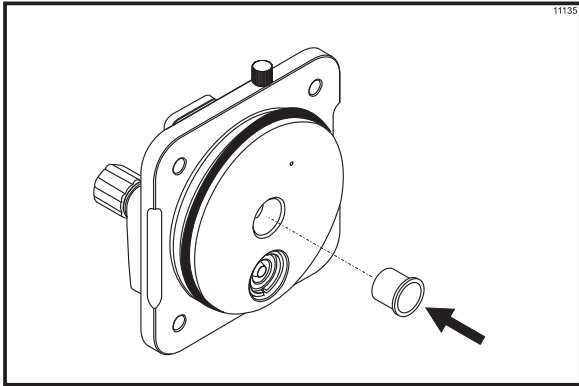


Figure 25

Step 7

Install the freezer door. Position the door on the four studs on the front of the freezing cylinder. Firmly push the door into place. Install the four handscrews on the studs and finger-tighten them equally in a criss-cross pattern to insure that the door is snug. **Do not over-tighten the handscrews.**

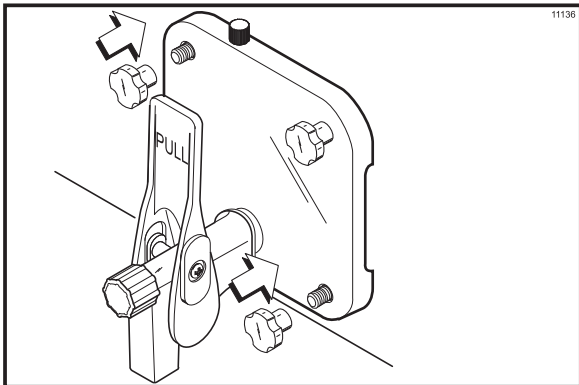


Figure 26

Step 8

Place the o-ring into the groove of the hopper cover.

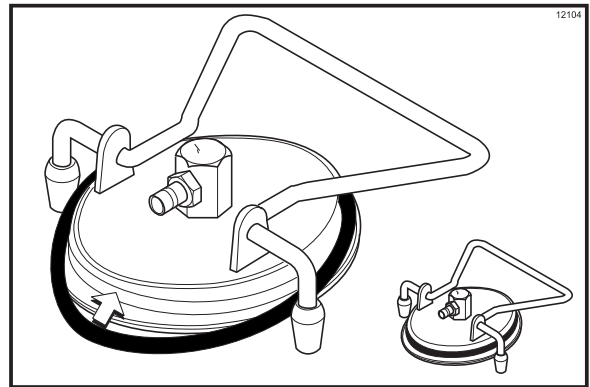


Figure 27

Install the hopper cover. Lock it into place.

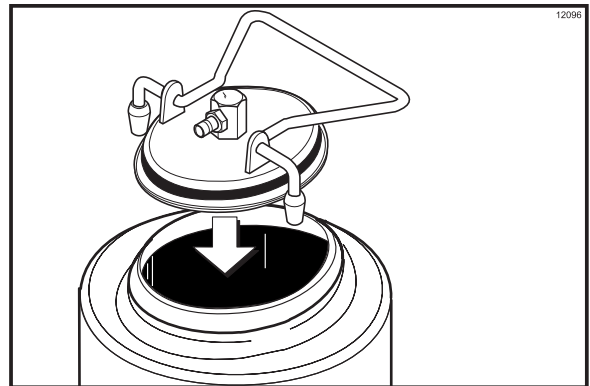


Figure 28

Attach the vinyl tube to the pressure relief on the hopper cover. Position the open end of the vinyl tube into the rear drip pan.

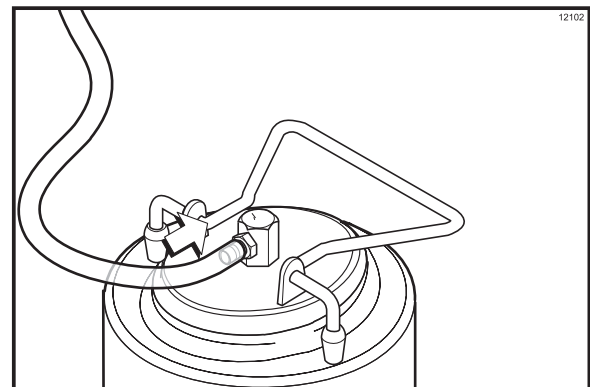


Figure 29

Repeat Steps 1 through 8 for the remaining freezing cylinder(s).

Step 9

Install the center drip pan through the front of the machine.

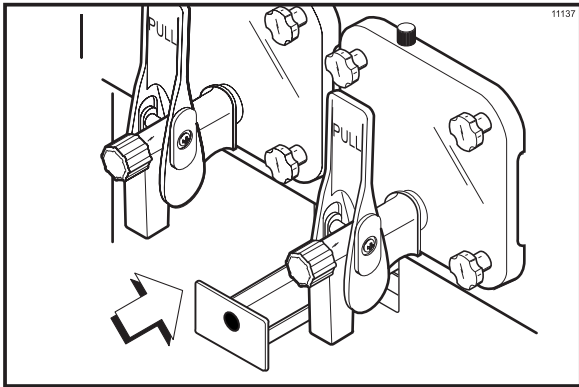


Figure 30

Sanitizing

Note: If a unit is sanitized, and will not be used for an extended period of time, clean water should be used to flush all sanitizer from the lines prior to storage of the unit. Upon return to service, the unit must be sanitized prior to use.

Step 1

Open the lighted display door. Remove the hood and the side panels to gain access to the hoppers. Place the control switch in the ON position.

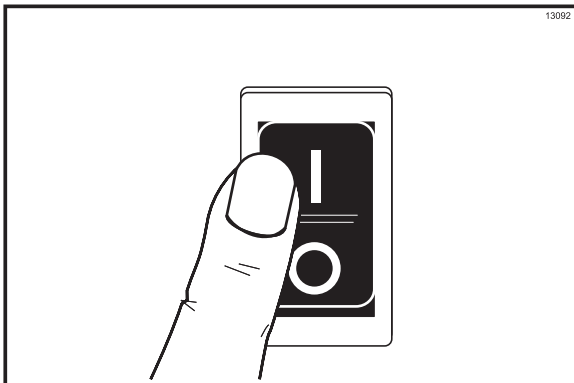


Figure 31

Step 2

Prepare two gallons (7.6 liters) of an approved 100 PPM sanitizing solution (example: Kay-5®). USE WARM WATER AND FOLLOW THE MANUFACTURER'S SPECIFICATIONS. **IMPORTANT: Make sure the sanitizer is completely dissolved.**

If your freezer uses Bag in Box syrup, follow steps 3 through 5. If your freezer uses syrup tanks, follow the instructions on page 5.

Step 3

Bag in Box Units Only: Using an empty bag of syrup, cut the syrup line connection from the end of the bag.

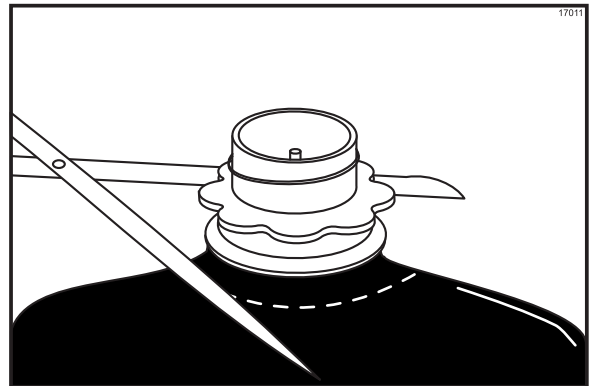


Figure 32

Step 4

Connect the syrup line to the syrup connection that was cut from the syrup bag.

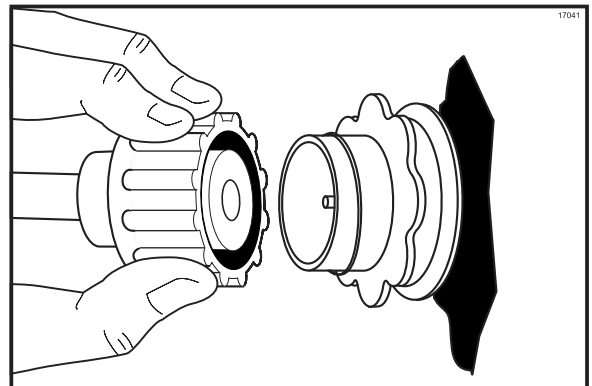


Figure 33

Step 5

With the bag connector attached to the syrup line, place the syrup line into the pail of sanitizing solution.

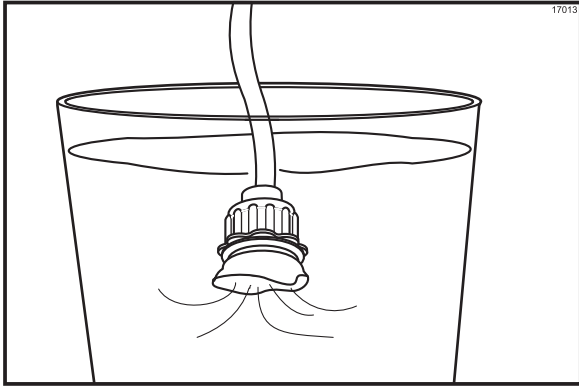


Figure 34

Replace Steps 3 - 5 for Syrup Tank Units: Pour the solution into a clean, empty syrup tank. Place the syrup tank cover in position. Remove the CO₂ line and syrup line number one from the syrup tank for freezing cylinder number one. Connect these lines to the spare syrup tank filled with sanitizing solution.

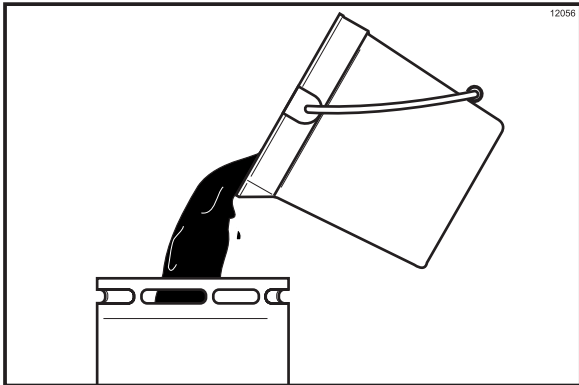


Figure 35

Step 6

Press the PRIME key. This will cause the sanitizing solution to flow through the lines and into the mix hopper.

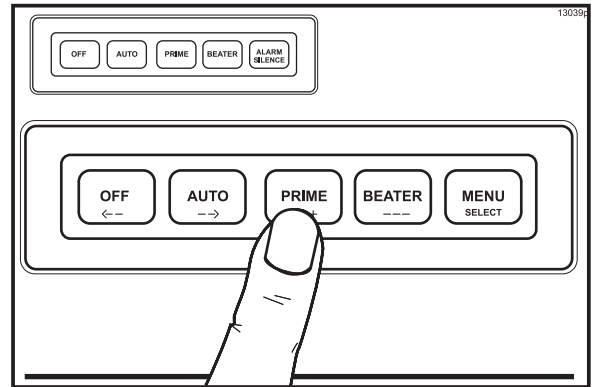


Figure 36

Step 7

Place a mix pail beneath the sampling valve which is located behind the front drip tray. Slowly open the sampling valve and allow sanitizer to flow through this line and into the pail. After approximately 1/2 gallon of sanitizer has been dispensed, close the valve.

Step 8

Raise the prime plug only enough to allow a slight hissing sound. Place an empty pail under the door spout. When sanitizing solution begins to exit the relief port opening in the freezer door, lower the prime plug. Press the OFF key.

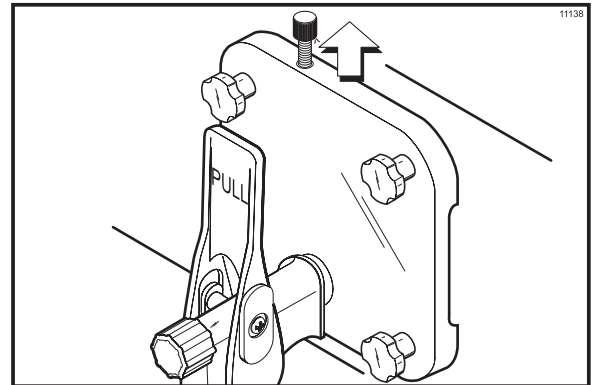


Figure 37

Step 9

Prepare two gallons (7.6 liters) of an approved 100 PPM sanitizing solution (example: Kay-5®). USE WARM WATER AND FOLLOW THE MANUFACTURER'S SPECIFICATIONS.

Step 10

With the pail beneath the door spout, open the draw valve and relieve all pressure from the freezing cylinder. Remove the hopper cover. Slowly pour the two gallons (7.6 liters) of sanitizing solution into the mix hopper until the hopper becomes 1/4 full of sanitizing solution.

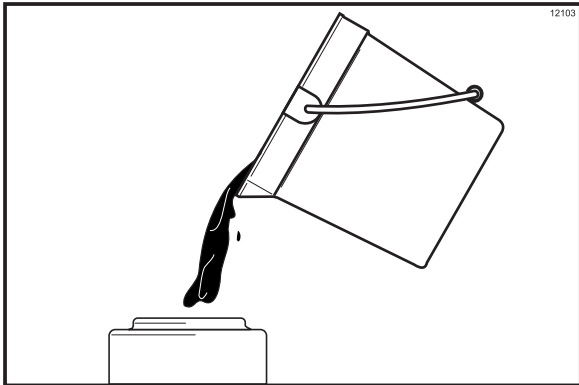


Figure 38

Step 11

With the brushes provided, brush-clean the mix hopper, mix inlet hole, mix level float switch, product fitting, CO₂ fitting and mix feed tube. Use caution when cleaning the float switch so as not to damage it.

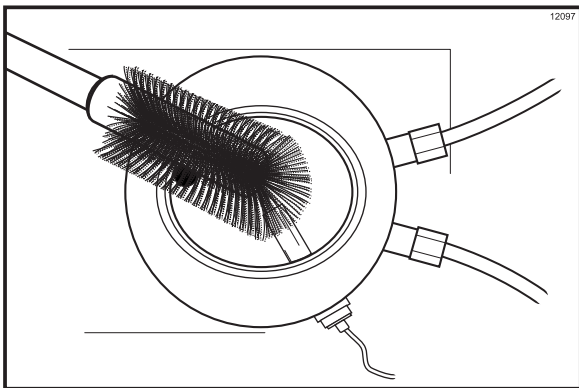


Figure 39

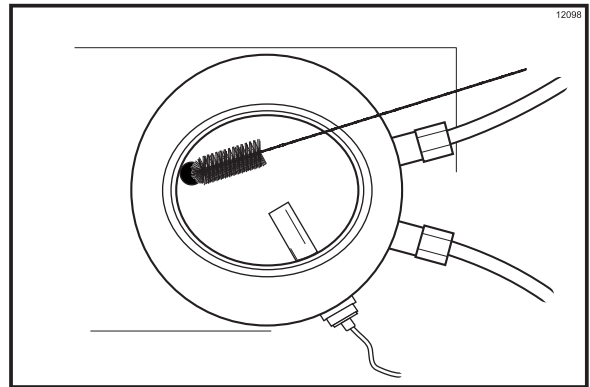


Figure 40

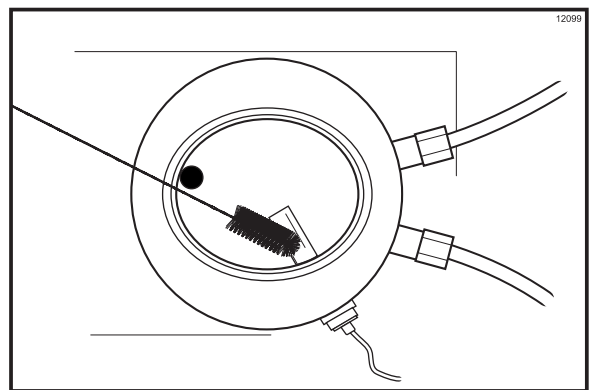


Figure 41

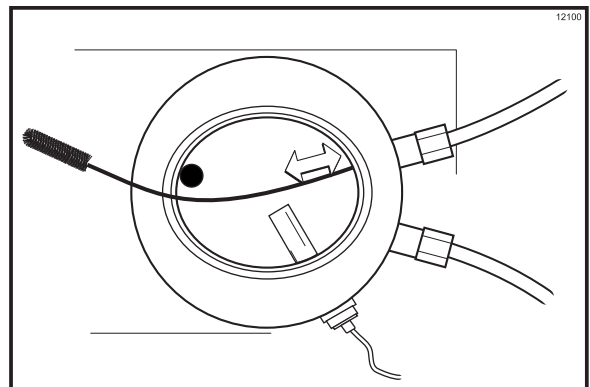


Figure 42

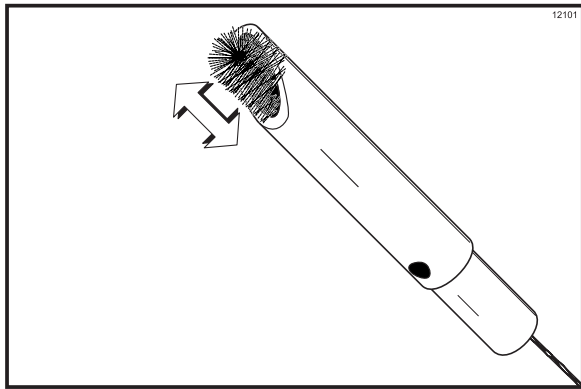


Figure 43

Step 12

Install the mix feed tube into the mix inlet hole in the bottom of the mix hopper.

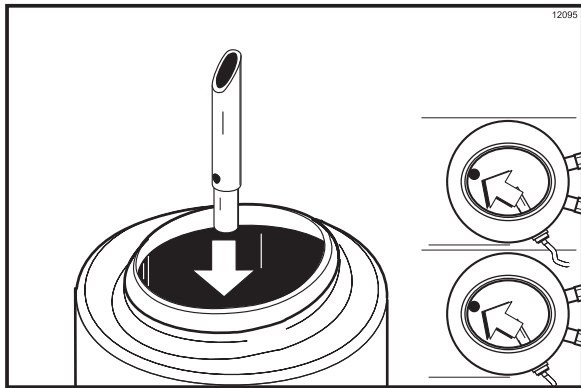


Figure 44

Step 13

Sanitize and install the hopper cover. Lock the cover into place. Attach the vinyl tube to the pressure relief valve on the hopper cover. Position the open end of the vinyl tube into the rear drip pan.

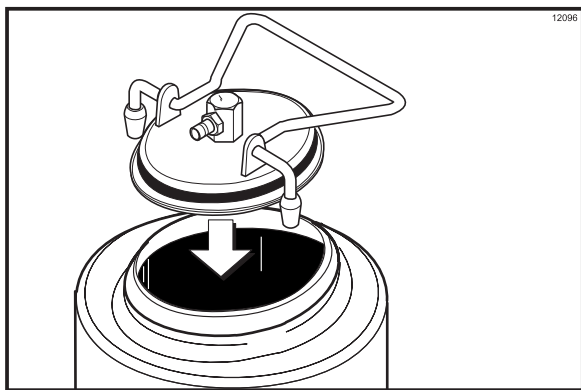


Figure 45

Step 14

Press the BEATER key. Agitate the solution in the freezing cylinder for five minutes.

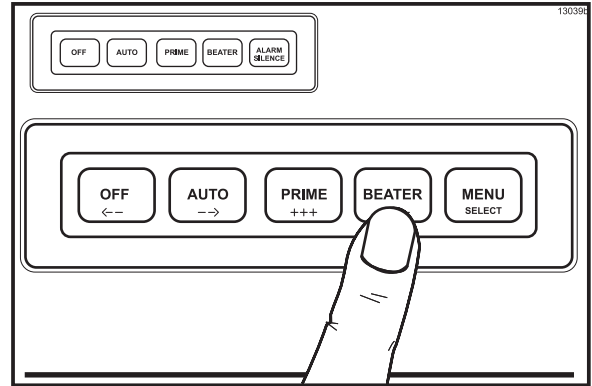


Figure 46

Step 15

With a pail beneath the door spout, open the draw valve and drain all the solution from the mix hopper and the freezing cylinder. Press the OFF key and close the draw valve.

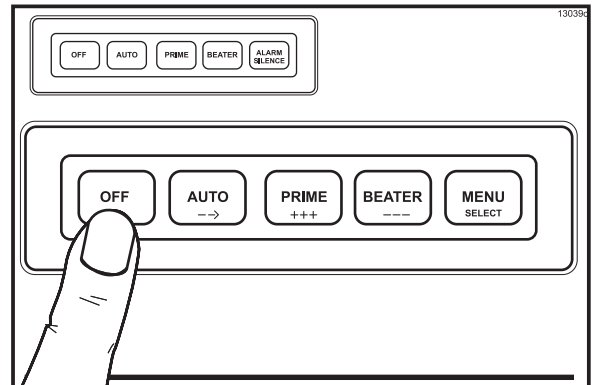


Figure 47

Step 16

Disconnect the syrup connector in the sanitizing solution.

Repeat Steps 2 through 14 for the remaining freezing cylinder(s).

Step 17

Remove the right side panel and install the rear white drip pan.

Priming/Brixing

Step 1

Connect the syrup line to the syrup tank (or the Bag in Box).

Step 2

Press the BEATER key to pressurize the freezing cylinder.

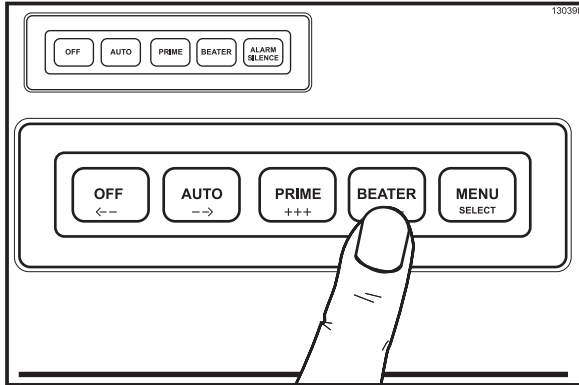


Figure 48

After three minutes, press the PRIME key. This will cause the product to flow to the mix hopper.

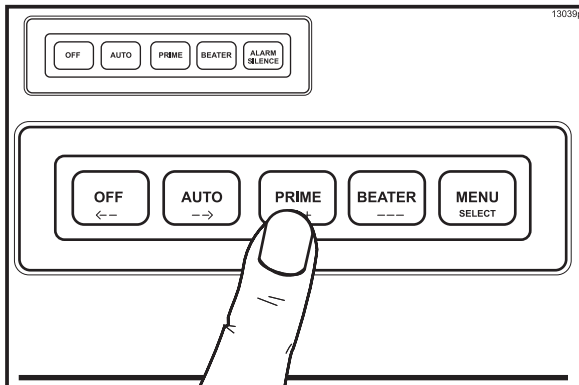


Figure 49

Step 3

Raise the prime plug enough to allow a slight hissing sound.

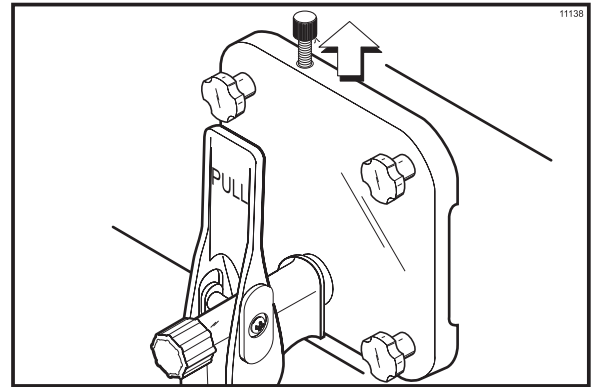


Figure 50

Note: The pressure in the freezing cylinder should be relieved very slowly.

Step 4

Slowly open the syrup sampling valve and let it run into a bucket until all the sanitizer is removed and full strength product is flowing. Do not open the valve so much that the syrup line to the hopper is drained.

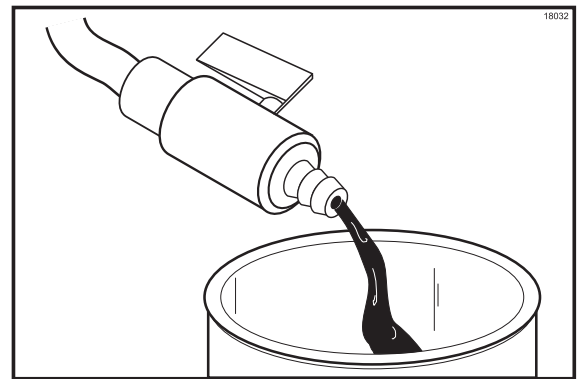


Figure 51

Brix is the ratio of syrup to water which will directly affect the quality and taste of the product. Brixing should be done before priming the freezer and when a change in syrup flavor has been made.

Allow the product to flow over the refractometer. The brix reading should register 13 to 14. A reading higher than this would cause a darker, richer product. The refrigeration system would have to run longer to freeze this excess syrup. A reading lower than this could cause a freeze-up in the freezing cylinder because of the excess water.

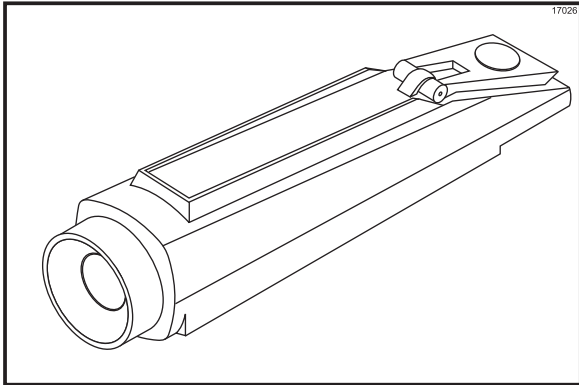


Figure 52

To adjust the brix, turn the adjustment screw located in the service panel. Clockwise adjustments increase the amount of syrup to water, and counterclockwise adjustments decrease the amount of syrup to water. Adjust the screw in small increments and check the brix again.

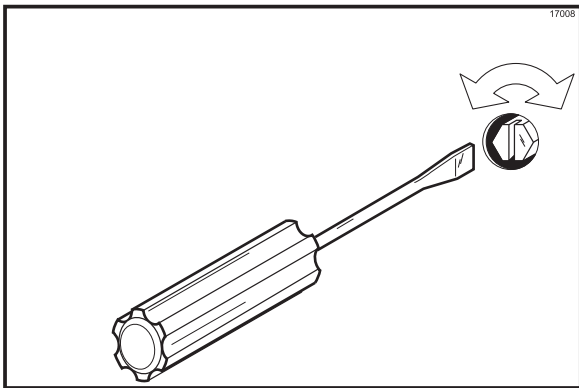


Figure 53

Repeat this step until a correct brix reading is registered.

Step 5

Once the proper brix has been achieved, close the sampling valve. Install the front drip tray and the splash shield on the front of the freezer.

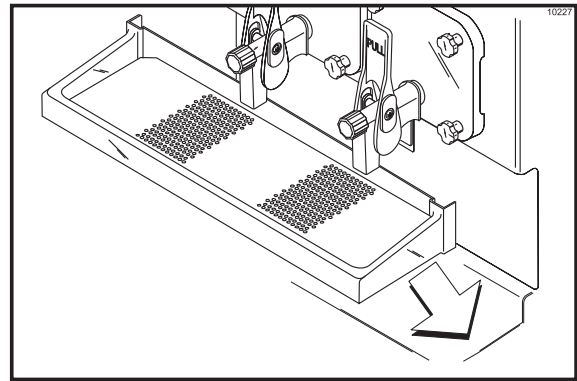


Figure 54

Step 6

With a pail beneath the door spout, press the BEATER key. Open the draw valve and drain the freezing cylinder. Close the draw valve. After three minutes, press the PRIME key. This will cause the product to flow to the mix hopper.

Step 7

Hold a large cup under the pressure relief port exit of the door, until the liquid level (not foam) reaches the pressure relief port. Lower the prime plug. Press the OFF key.

Note: A large amount of foam indicates that the prime plug was raised too high.

Repeat Steps 1 through 7 for the remaining freezing cylinder(s).

Step 8

To place the freezing cylinder in the AUTO mode, press the AUTO key. When the unit cycles off, the product will be at serving viscosity.

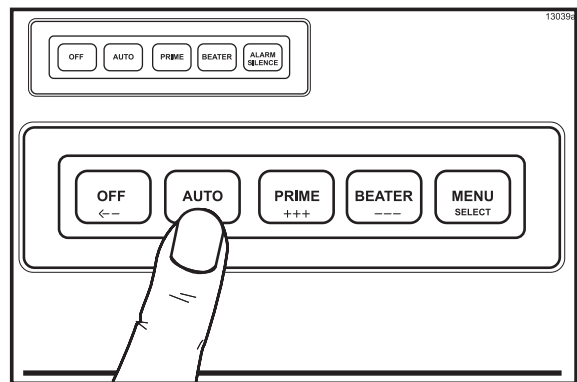


Figure 55

Repeat this step for the remaining freezing cylinder(s).

Step 9

Replace the side panels and close the lighted display. Install the hood in position on top of the freezer.

90 Day Closing Procedure

We recommend that the machine be completely disassembled and cleaned at least every ninety days using the following procedures.



To disassemble a freezer, the following items will be needed:

- Two cleaning pails
- Necessary brushes (provided with freezer)
- Cleaner
- Single service towels

Draining Product From the Freezing Cylinder

Step 1

Press the BEATER key. This will allow the beater to operate and CO₂ pressure will be maintained to push the product from the freezing cylinder. Open the draw valve and drain the product from the machine until the CO₂ begins to jet.

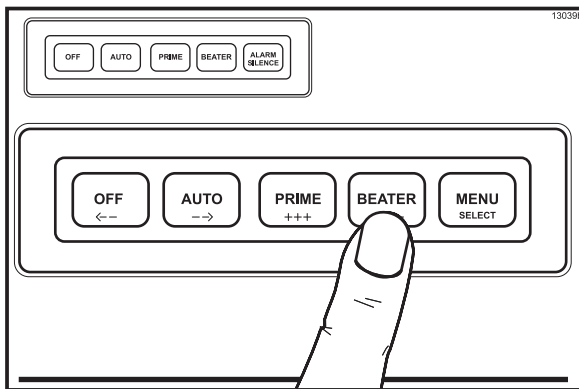


Figure 56

Step 2

When all the product has been drained from the mix hopper and the freezing cylinder, close the draw valve and press the OFF key. Discard this product.

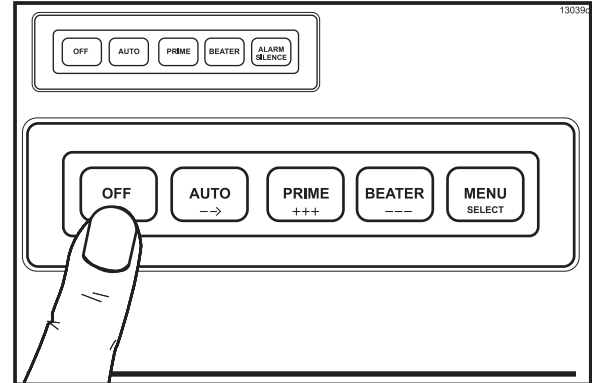


Figure 57

Repeat Steps 1 and 2 for the remaining freezing cylinder(s).

Cleaning

Step 1

Open the lighted display door from the front of the machine. Remove the hood and side panels to gain access to the hoppers.

Step 2

Prepare two gallons (7.6 liters) of an approved cleaning solution (example: Kay-5®). **USE WARM WATER AND FOLLOW THE MANUFACTURER'S SPECIFICATIONS.**

Important: Make sure the cleaner is completely dissolved.

Step 3

Pour the solution into a clean, empty bucket. Place the syrup line with old syrup connection into the bucket of sanitizer.

Step 4

Press the PRIME key. This will cause the cleaning solution to flow through the lines and into the mix hopper.

Step 5

Remove the front drip tray. Place a mix pail beneath the sampling valve located behind the front drip tray. Slowly open the sampling valve and allow cleaner to flow through this line and out into the pail. After approximately 1/2 gallon of cleaner has been dispensed, close the valve.

Step 6

Raise the prime plug. Place an empty pail under the door spout. When cleaning solution begins to exit the relief port opening in the freezer door, lower the prime plug. Press the OFF key. Open the draw valve and relieve all pressure from the freezing cylinder. Remove the hopper cover. Remove the mix feed tube and take it to the sink for further cleaning. Close the prime plug.

Step 7

Prepare two gallons (7.6 liters) of an approved cleaning solution (example: Kay-5®). USE WARM WATER AND FOLLOW THE MANUFACTURER'S SPECIFICATIONS.

Step 8

Slowly pour two gallons (7.6 liters) of cleaning solution into the mix hopper until the hopper becomes 1/4 full of cleaning solution.

Step 9

With the brushes provided, brush-clean the mix hopper, mix inlet hole, mix level float switch, product fitting, and CO₂ fitting. Use caution when cleaning the float switch. Failure to do so will cause damage to the component.

Step 10

Clean and install the hopper cover. Lock the cover into place. Attach the vinyl tube to the pressure relief valve on the hopper cover. Position the open end of the vinyl tube into the rear drip pan.

Step 11

Press the BEATER key to agitate the solution in the freezing cylinder.

Step 12

With a pail beneath the door spout, open the draw valve and drain all the solution from the mix hopper and the freezing cylinder. Press the OFF key and close the draw valve.

Step 13

Disconnect the syrup connector.

Repeat Steps 2 through 13 for the remaining freezing cylinder(s).

Disassembly

Step 1

Be sure the control switch is in the OFF position. Open the draw valves to make sure all pressure has been relieved.

Step 2

Raise the prime plug. Leave the bleed port open when removing the freezer door to insure that all pressure is relieved from the freezing cylinder.

Step 3

Remove the following parts from the freezer and take them to the sink for brush-cleaning: handscrews, freezer doors, beater assemblies and scraper blades, drive shafts, hopper covers, front drip tray, splash shield.

Brush Cleaning

Step 1

Prepare a sink with an approved cleaning solution. USE WARM WATER AND FOLLOW THE MANUFACTURER'S SPECIFICATIONS (example: Kay-5®). **IMPORTANT:** Follow the label directions. Too STRONG of a solution can cause parts damage, while too MILD of a solution will not provide adequate cleaning. Make sure all brushes provided with the freezer are available for brush cleaning.

Step 2

Return to the freezer with a small amount of cleaning solution. With a single service towel, wipe clean the bearing surface. Brush-clean the rear shell bearings at the back of the freezing cylinders with the black bristle brush.

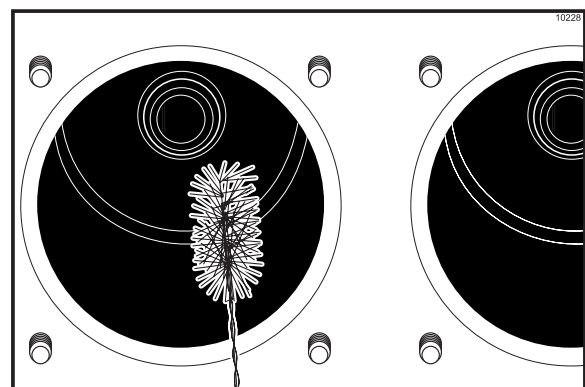


Figure 58

Step 3

Remove the rear drip pan. (Does not apply to the Model 349.)

Step 4

Remove the right side panel and take the rear, white drip pan to the sink for further cleaning.

Step 5

Remove the following parts: seals and o-rings from the drive shafts, drive shaft seal bushings from drive shaft seals, caps and springs from freezer doors, screws and draw handle slides from freezer doors, pivot pins from draw valves, draw valve handles from freezer doors, draw valves from freezer doors, o-rings from draw valves, prime plugs from freezer doors, o-rings from prime plugs, o-rings and front bearings from freezer doors, o-rings from mix hopper covers.

Discard all o-rings and replace them with new ones.

Note: To remove o-rings, use a single service towel to grasp the o-ring. Apply pressure in an upward direction until the o-ring pops out of its groove. With the other hand, push the top of the o-ring forward. It will roll out of the groove and can be easily removed. If there is more than one o-ring to be removed, always remove the rear o-ring first. This will allow the o-ring to slide over the forward rings without falling into the open grooves.

Step 6

Using a single service towel, wipe the lubricant off the parts. Brush-clean all disassembled parts in the cleaning solution. Make sure all lubricant and syrup is removed. Place all the cleaned parts on a clean, dry surface to air-dry.

Step 7

Wipe clean all the exterior surfaces of the freezer.

Section 7 Important: Operator Checklist

During Cleaning and Sanitizing



Cleaning and sanitizing schedules are governed by your State or local regulatory agencies and must be followed accordingly. The following check points should be stressed during the cleaning and sanitizing operations.

WE RECOMMEND CLEANING AND SANITIZING EVERY 90 DAYS.

Troubleshooting Bacterial Count

- 1. Thoroughly clean and sanitize the machine regularly, including complete disassembly and brush cleaning.
- 2. Use all brushes supplied for thorough cleaning. The brushes are specially designed to reach all product passageways.
- 3. Use the white bristle brush to clean the mix inlet hole which extends from the mix hopper down to the rear of the freezing cylinder.
- 4. Use the black bristle brush to thoroughly clean the rear shell bearing located at the rear of the freezing cylinder. Be sure there is a generous amount of cleaning solution on the brush.
- 5. Using a screwdriver and a cloth towel, keep the rear shell bearing and the female hex drive socket clean and free of lubricant and product deposits.
- 6. Properly prepare the cleaning and sanitizing solutions. Read and follow the label directions carefully. Too strong of a solution may damage the parts and too weak of a solution will not do an adequate job of cleaning or sanitizing.

- 7. Clean and sanitize the syrup lines regularly to prevent syrup residue build-up that would restrict the proper flow of syrup.
- 8. On a regular basis, take a brix reading to assure a consistent quality product.

Regular Maintenance Checks

- 1. Replace scraper blades that are nicked, damaged or worn down.
- 2. Before installing the beater, be certain that the scraper blades are properly attached over the pins.
- 3. Check the rear shell bearing for signs of wear (excessive product leakage from the rear drip pans to the front drip tray).
- 4. Dispose of o-rings or seals if they are worn, torn, or fit too loosely, and replace with new ones.
- 5. Follow all lubricating procedures as outlined in "Assembly".
- 6. Check the condenser(s) for accumulation of dirt and lint. Dirty condensers will reduce the efficiency and capacity of the machine. Condensers should be cleaned **monthly** by removing the poly-flo filter and cleaning it. Remove the service panel and side panels to expose the condenser(s). **Never** use screwdrivers or other metal probes to clean between the fins.

Winter Storage

If the place of business is to be closed during the winter months, it is important to protect the freezer by following certain precautions, particularly if the building is subject to freezing conditions.

Disconnect the freezer from the main power source to prevent possible electrical damage.

Your local Taylor Distributor can perform this service for you.

Wrap detachable parts of the freezer such as the beater, the scraper blades, the drive shaft, and the freezer door. Place these parts in a protected, dry place. Rubber trim parts and gaskets can be protected by wrapping them with moisture-proof paper. All parts should be thoroughly cleaned of dried mix or lubrication which attract mice and other vermin.

Note: It is recommended that an authorized service technician perform winter storage draining, to insure all water has been removed. This will guard against freezing and rupturing of the components.

Section 8

Troubleshooting Guide

PROBLEM	PROBABLE CAUSE	REMEDY	PAGE REF.
1. Product is too stiff.	a. Too much water to syrup ratio. Improper brix adjustment.	a. Adjust the brix accordingly.	33
	b. Consistency control needs adjustment.	b. Contact a service technician.	- - -
	c. Torque coupling bound in WARM position.	c. Contact a service technician.	- - -
2. Product is too soft.	a. Freezer in a defrost cycle.	a. Wait for defrost cycle to end.	- - -
	b. Consistency control needs adjustment.	b. Contact a service technician.	- - -
	c. Torque coupling bound in COLD position.	c. Contact a service technician.	- - -
	d. Broken springs in torque coupling.	d. Contact a service technician.	- - -
3. No product is being dispensed.	a. Product frozen-up in freezing cylinder.	a. See problem No. 1.	- - -
4. Freezer will not operate in the BEATER or AUTO mode.	a. Unit is unplugged.	a. Check the plug at wall receptacle.	- - -
	b. Blown fuse, or the circuit breaker is off.	b. Replace the fuse or turn the breaker on.	- - -
	c. Beater motor is out on overload. Check fault description screen.	c. Allow the motor to cool. Press the AUTO key. Call a service technician if the beater motor goes out on overload again.	18
5. No compressor operation in the AUTO mode.	a. Beater motor is out on overload. Check the fault description screen.	a. Allow the motor to cool. Press the AUTO key. Call a service technician if the beater motor goes out on overload again.	18
	b. The torque coupling is bound in the COLD position.	b. Contact a service technician.	- - -
	c. Condenser dirty, A/C.	c. Clean condenser monthly.	38
	d. Water supply off, W/C.	d. Turn the water on.	- - -

PROBLEM	PROBABLE CAUSE	REMEDY	PAGE REF.
6. Unable to remove the drive shaft from the rear shell bearing.	<ul style="list-style-type: none"> a. Rounded corners of hex end of drive shaft, drive coupling, or both. b. Lubrication of hex end of drive shaft. 	<ul style="list-style-type: none"> a. Replace the drive shaft, or call a service technician to replace the direct drive unit. b. Do not lubricate the hex end. If necessary, contact a service technician for removal. 	<p>- - -</p> <p>24</p>
7. Excessive loss of CO ₂ .	<ul style="list-style-type: none"> a. Leak in the CO₂ system. 	<ul style="list-style-type: none"> a. Contact a service technician. 	- - -
8. Leakage from rear drip pan(s) into front drip tray.	<ul style="list-style-type: none"> a. Seal or o-ring on drive shaft is worn, missing, or incorrectly installed. b. Worn rear shell bearing. 	<ul style="list-style-type: none"> a. Replace or install correctly on drive shaft. b. Contact a service technician to replace rear shell bearing. 	<p>24</p> <p>- - -</p>
9. Excessive mix leakage from door spout.	<ul style="list-style-type: none"> a. Inadequate lubrication of draw valve o-rings. b. Wrong type lubricant on draw valve o-rings. c. Worn or missing draw valve o-rings. 	<ul style="list-style-type: none"> a. Lubricate properly. b. Use food grade lubricant (example: Taylor Lube HP). c. Replace or install o-rings on draw valve. 	<p>26</p> <p>24</p> <p>26/ 42</p>
10. Unable to adjust brix.	<ul style="list-style-type: none"> a. Syrup lines need to be cleaned and sanitized. b. Blocked flow control. 	<ul style="list-style-type: none"> a. Clean and sanitize syrup lines. b. Contact a service technician. 	<p>- - -</p> <p>- - -</p>
11. Lack of syrup being supplied to machine.	<ul style="list-style-type: none"> a. Loss of CO₂ to propel syrup. b. Clogged or kinked syrup lines. 	<ul style="list-style-type: none"> a. Contact a service technician. b. Sanitize syrup lines regularly. If kinked, repair or replace. 	<p>- - -</p> <p>- - -</p>
12. Product does not enter mix hopper.	<ul style="list-style-type: none"> a. Machine is not in the AUTO or PRIME mode. b. The mix level float switch is inoperative. 	<ul style="list-style-type: none"> a. Place the machine in the AUTO or PRIME mode. b. Contact a service technician. 	<p>34</p> <p>- - -</p>
13. Carbonated water or sulfuric aroma is evident in the faucet or sewage system.	<ul style="list-style-type: none"> a. Faulty check valve in carbonation system. 	<ul style="list-style-type: none"> a. Call a service technician to replace the check valve. 	- - -

Section 9

Parts Replacement Schedule

PART DESCRIPTION	EVERY 3 MONTHS	EVERY 6 MONTHS	ANNUALLY
Scraper Blade		X	Minimum
Drive Shaft Seal	X		
Drive Shaft O-Ring	X		
Freezer Door O-Ring	X		
Draw Valve O-Ring	X		
Door Spout O-Ring	X		
Hopper Cover O-Ring	X		
Front Bearing	X		
Prime Plug O-Ring	X		
Black Bristle Brush, 1" x 2"		Inspect & Replace if Necessary	Minimum
Double Ended Brush		Inspect & Replace if Necessary	Minimum
White Bristle Brush, 1-1/2" x 2"		Inspect & Replace if Necessary	Minimum
White Bristle Brush, 3" x 7"		Inspect & Replace if Necessary	Minimum

Refer to Parts List on the next page when ordering the above parts.

Section 10 Limited Warranty on Equipment

TAYLOR COMPANY LIMITED WARRANTY ON FREEZERS

Taylor Company, a division of Carrier Commercial Refrigeration, Inc. ("Taylor") is pleased to provide this limited warranty on new Taylor-branded freezer equipment available from Taylor to the market generally (the "Product") to the original purchaser only.

LIMITED WARRANTY

Taylor warrants the Product against failure due to defect in materials or workmanship under normal use and service as follows. All warranty periods begin on the date of original Product installation. If a part fails due to defect during the applicable warranty period, Taylor, through an authorized Taylor distributor or service agency, will provide a new or re-manufactured part, at Taylor's option, to replace the failed defective part at no charge for the part. Except as otherwise stated herein, these are Taylor's exclusive obligations under this limited warranty for a Product failure. This limited warranty is subject to all provisions, conditions, limitations and exclusions listed below and on the reverse (if any) of this document.

Product	Part	Limited Warranty Period
Soft Serve	Insulated shell assembly	Five (5) years
Frozen Yogurt Shakes	Refrigeration compressor (except service valve)	Five (5) years
Smoothies	Beater motors	Two (2) years
Frozen Beverage	Beater drive gear	Two (2) years
Batch Desserts	Printed circuit boards and Softech controls beginning with serial number H8024200	Two (2) years
	Parts not otherwise listed in this table or excluded below	One (1) year

LIMITED WARRANTY CONDITIONS

1. If the date of original installation of the Product cannot be verified, then the limited warranty period begins ninety (90) days from the date of Product manufacture (as indicated by the Product serial number). Proof of purchase may be required at time of service.
2. This limited warranty is valid only if the Product is installed and all required service work on the Product is performed by an authorized Taylor distributor or service agency, and only if genuine, new Taylor parts are used.
3. Installation, use, care, and maintenance must be normal and in accordance with all instructions contained in the Taylor Operator's Manual.
4. Defective parts must be returned to the authorized Taylor distributor or service agency for credit.
5. The use of any refrigerant other than that specified on the Product's data label will void this limited warranty.

LIMITED WARRANTY EXCEPTIONS

This limited warranty does **not** cover:

1. Labor or other costs incurred for diagnosing, repairing, removing, installing, shipping, servicing or handling of defective parts, replacement parts, or new Products.
2. Normal maintenance, cleaning and lubrication as outlined in the Taylor Operator's Manual, including cleaning of condensers.

3. Replacement of wear items designated as Class "000" parts in the Taylor Operator's Manual.
4. External hoses, electrical power supplies, and machine grounding.
5. Parts not supplied or designated by Taylor, or damages resulting from their use.
6. Return trips or waiting time required because a service technician is prevented from beginning warranty service work promptly upon arrival.
7. Failure, damage or repairs due to faulty installation, misapplication, abuse, no or improper servicing, unauthorized alteration or improper operation or use as indicated in the Taylor Operator's Manual, including but not limited to the failure to use proper assembly and cleaning techniques, tools, or approved cleaning supplies.
8. Failure, damage or repairs due to theft, vandalism, wind, rain, flood, high water, water, lightning, earthquake or any other natural disaster, fire, corrosive environments, insect or rodent infestation, or other casualty, accident or condition beyond the reasonable control of Taylor; operation above or below the electrical or water supply specification of the Product; or components repaired or altered in any way so as, in the judgment of the Manufacturer, to adversely affect performance, or normal wear or deterioration.
9. Any Product purchased over the Internet.
10. Failure to start due to voltage conditions, blown fuses, open circuit breakers, or damages due to the inadequacy or interruption of electrical service.
11. Electricity or fuel costs, or increases in electricity or fuel costs from any reason whatsoever.
12. Damages resulting from the use of any refrigerant other than that specified on the Product's data label will void this limited warranty.
13. Any cost to replace, refill or dispose of refrigerant, including the cost of refrigerant.
14. **ANY SPECIAL, INDIRECT OR CONSEQUENTIAL PROPERTY OR COMMERCIAL DAMAGE OF ANY NATURE WHATSOEVER.** Some jurisdictions do not allow the exclusion of incidental or consequential damages, so this limitation may not apply to you.

This limited warranty gives you specific legal rights, and you may also have other rights which vary from jurisdiction to jurisdiction.

LIMITATION OF WARRANTY

THIS LIMITED WARRANTY IS EXCLUSIVE AND IS IN LIEU OF ALL OTHER WARRANTIES, CONDITIONS AND/OR REMEDIES UNDER THE LAW, INCLUDING ANY IMPLIED WARRANTIES OR CONDITIONS OF MERCHANTABILITY OR FITNESS FOR A PARTICULAR PURPOSE. THE ORIGINAL OWNER'S SOLE REMEDY WITH RESPECT TO ANY PRODUCTS SHALL BE REPAIR OR REPLACEMENT OF DEFECTIVE COMPONENTS UNDER THE TERMS OF THIS LIMITED WARRANTY. ALL RIGHTS TO CONSEQUENTIAL OR INCIDENTAL DAMAGES (INCLUDING CLAIMS FOR LOST SALES, LOST PROFITS, PRODUCT LOSS, PROPERTY DAMAGES OR SERVICE EXPENSES) ARE EXPRESSLY EXCLUDED. THE EXPRESS WARRANTIES MADE IN THIS LIMITED WARRANTY MAY NOT BE ALTERED, ENLARGED, OR CHANGED BY ANY DISTRIBUTOR, DEALER, OR OTHER PERSON, WHATSOEVER.

LEGAL REMEDIES

The owner **must** notify Taylor in writing, by certified or registered letter to the following address, of any defect or complaint with the Product, stating the defect or complaint and a specific request for repair, replacement, or other correction of the Product under warranty, mailed at least thirty (30) days before pursuing any legal rights or remedies.

Taylor Company
a division of Carrier Commercial Refrigeration, Inc.
750 N. Blackhawk Blvd.
Rockton, IL 61072

Section 11

Limited Warranty on Parts

TAYLOR COMPANY LIMITED WARRANTY ON TAYLOR GENUINE PARTS

Taylor Company, a division of Carrier Commercial Refrigeration, Inc. ("Taylor") is pleased to provide this limited warranty on new Taylor genuine replacement components and parts available from Taylor to the market generally (the "Parts") to the original purchaser only.

LIMITED WARRANTY

Taylor warrants the Parts against failure due to defect in materials or workmanship under normal use and service as follows. All warranty periods begin on the date of original installation of the Part in the Taylor unit. If a Part fails due to defect during the applicable warranty period, Taylor, through an authorized Taylor distributor or service agency, will provide a new or re-manufactured Part, at Taylor's option, to replace the failed defective Part at no charge for the Part. Except as otherwise stated herein, these are Taylor's exclusive obligations under this limited warranty for a Part failure. This limited warranty is subject to all provisions, conditions, limitations and exclusions listed below and on the reverse (if any) of this document.

Part's Warranty Class Code or Part	Limited Warranty Period
Class 103 Parts ¹	Three (3) months
Class 212 Parts ²	Twelve (12) months
Class 512 Parts	Twelve (12) months
Class 000 Parts	No warranty
Taylor Part #072454 (Motor- 24VDC *C832/C842*)	Four (4) years

LIMITED WARRANTY CONDITIONS

1. If the date of original installation of the Part cannot be otherwise verified, proof of purchase may be required at time of service.
2. This limited warranty is valid only if the Part is installed and all required service work in connection with the Part is performed by an authorized Taylor distributor or service agency.
3. The limited warranty applies only to Parts remaining in use by their original owner at their original installation location in the unit of original installation.
4. Installation, use, care, and maintenance must be normal and in accordance with all instructions contained in the Taylor Operator's Manual.
5. Defective Parts must be returned to the authorized Taylor distributor or service agency for credit.
6. This warranty is not intended to shorten the length of any warranty coverage provided pursuant to a separate Taylor Limited Warranty on freezer or grill equipment.
7. The use of any refrigerant other than that specified for the unit in which the Part is installed will void this limited warranty.

^{1, 2} Except that Taylor Part #032129SER2 (Compressor-Air-230V SERV) and Taylor Part #075506SER1 (Compressor-Air-115V 60HZ) shall have a limited warranty period of twelve (12) months when used in Taylor freezer equipment and a limited warranty period of two (2) years when used in Taylor grill equipment.

LIMITED WARRANTY EXCEPTIONS

This limited warranty does **not** cover:

1. Labor or other costs incurred for diagnosing, repairing, removing, installing, shipping, servicing or handling of defective Parts, replacement Parts, or new Parts.
2. Normal maintenance, cleaning and lubrication as outlined in the Taylor Operator's Manual, including cleaning of condensers or carbon and grease buildup.
3. Required service, whether cleaning or general repairs, to return the cooking surface assemblies, including the upper platen and lower plate, to an operational condition to achieve proper cooking or allow proper assembly of release sheets and clips as a result of grease build-up on the cooking surfaces, including but not limited to the platen and plate, sides of the shroud or top of the shroud.
4. Replacement of cooking surfaces, including the upper platen and lower plate, due to pitting or corrosion (or in the case of the upper platen, due to loss of plating) as a result of damage due to the impact of spatulas or other small wares used during the cooking process or as a result of the use of cleaners, cleaning materials or cleaning processes not approved for use by Taylor.
5. Replacement of wear items designated as Class "000" Parts in the Taylor Operator's Manual, as well as any release sheets and clips for the Product's upper platen assembly.
6. External hoses, electrical power supplies, and machine grounding.
7. Parts not supplied or designated by Taylor, or damages resulting from their use.
8. Return trips or waiting time required because a service technician is prevented from beginning warranty service work promptly upon arrival.
9. Failure, damage or repairs due to faulty installation, misapplication, abuse, no or improper servicing, unauthorized alteration or improper operation or use as indicated in the Taylor Operator's Manual, including but not limited to the failure to use proper assembly and cleaning techniques, tools, or approved cleaning supplies.
10. Failure, damage or repairs due to theft, vandalism, wind, rain, flood, high water, water, lightning, earthquake or any other natural disaster, fire, corrosive environments, insect or rodent infestation, or other casualty, accident or condition beyond the reasonable control of Taylor; operation above or below the gas, electrical or water supply specification of the unit in which a part is installed; or Parts or the units in which they are installed repaired or altered in any way so as, in the judgment of Taylor, to adversely affect performance, or normal wear or deterioration.
11. Any Part purchased over the Internet.
12. Failure to start due to voltage conditions, blown fuses, open circuit breakers, or damages due to the inadequacy or interruption of electrical service.
13. Electricity, gas or other fuel costs, or increases in electricity or fuel costs from any reason whatsoever.
14. Damages resulting from the use of any refrigerant other than that specified for the unit in which the Part is installed will void this limited warranty.
15. Any cost to replace, refill or dispose of refrigerant, including the cost of refrigerant.
16. **ANY SPECIAL, INDIRECT OR CONSEQUENTIAL PROPERTY OR COMMERCIAL DAMAGE OF ANY NATURE WHATSOEVER.** Some jurisdictions do not allow the exclusion of incidental or consequential damages, so this limitation may not apply to you.

This limited warranty gives you specific legal rights, and you may also have other rights which vary from jurisdiction to jurisdiction.

LIMITATION OF WARRANTY

THIS LIMITED WARRANTY IS EXCLUSIVE AND IS IN LIEU OF ALL OTHER WARRANTIES, CONDITIONS AND/OR REMEDIES UNDER THE LAW, INCLUDING ANY IMPLIED WARRANTIES OR CONDITIONS OF MERCHANTABILITY OR FITNESS FOR A PARTICULAR PURPOSE. THE ORIGINAL OWNER'S SOLE REMEDY WITH RESPECT TO ANY PRODUCTS SHALL BE REPAIR OR REPLACEMENT OF DEFECTIVE PARTS UNDER THE TERMS OF THIS LIMITED WARRANTY. ALL RIGHTS TO CONSEQUENTIAL OR INCIDENTAL DAMAGES (INCLUDING CLAIMS FOR LOST SALES, LOST PROFITS, PRODUCT LOSS, PROPERTY DAMAGES OR SERVICE EXPENSES) ARE EXPRESSLY EXCLUDED. THE EXPRESS WARRANTIES MADE IN THIS LIMITED WARRANTY MAY NOT BE ALTERED, ENLARGED, OR CHANGED BY ANY DISTRIBUTOR, DEALER, OR OTHER PERSON, WHATSOEVER.

LEGAL REMEDIES

The owner **must** notify Taylor in writing, by certified or registered letter to the following address, of any defect or complaint with the Part, stating the defect or complaint and a specific request for repair, replacement, or other correction of the Part under warranty, mailed at least thirty (30) days before pursuing any legal rights or remedies.

Taylor Company
a division of Carrier Commercial Refrigeration, Inc.
750 N. Blackhawk Blvd.
Rockton, IL 61072

Section 12

Parts List

DESCRIPTION	PART NUMBER	345 QTY.	346 QTY.	349 QTY.	355 QTY.	WARR. CLASS	REMARKS	PARTS UPDATE
Accumulator A.- Insulated	X50261	1				103	Prior to J9067375	144
+Accumulator- Suction- Vertical	042134	1				103	Prior to J9067375	144
Accumulator- Copper 2" Dia. 10" Long	047062	1	2	2		103	345- J9067375/Up, 346- J9072433/Up, 349- J9114879/Up	144
Accumulator A.- Insulated- Left	X50138		1			103	Prior to J9072433	
Accumulator A.- Insulated- Right	X50139		1			103	Prior to J9072433	
Accumulator A.- Insulated- Left	X50465			1		103	Prior to J9114879	
Accumulator A.- Insulated- Right	X50468			1		103	Prior to J9114879	
Accumulator- Copper 2" DIA 13" LG	053377				1	103	0355- J9053838/Up	
Accumulator A.- Insulated	X49506				1	103	Prior to J9053838	
Bearing- Rear Shell	032511	2	2	4	2	000		
+Guide- Drip Seal	028992	2	2	4	2	000		
+Nut- Brass Bearing	028991	2	2	4	2	000		
+O- Ring	018432	2	2	4	2	000		
+Washer- Bearing Lock	012864	2	2	4	2	000		
Bearing- Unit Rear (1 Pulley)	X39162- SER	2	2	2	1	103	Kit- Includes Retaining Plate- 052131	129
Bearing- Unit Rear (2 Pulley)	X39163- SER				1	103	Kit- Includes Retaining Plate- 052131	126
Beater Assembly	041182	2	2	4	2	103		
+Blade- Scraper	041103	4	4	8	4	000		
Belt	025633	2	2			000		
Belt	033142			2		000		
Belt	044056				1	000		
Belt (Rear Bearing Units)	033145			2	1	000		
Block- Terminal 2P- L1, L2	039422	1	2	1		103	349- J9097086/Up, 355- J8113767	
Block- Terminal 2P- L1, L2	039422	1	2	3	1	103	Prior to: 349- J9097086, 355- J8113767	
Blower A.	X53725- 27		1	1		103	346- K0066159/Up, 349- K0053129/Up	
Clip- Screen- Blower	053720		4	4		103		
Housing- Blower- 6 POLE	053728		1	1		103		
Motor- Fan 208- 230V 50/60 HZ	053481- 27		1	1		103		
Screen- Blower	053729		1	1		103		
Wheel- Blower	053726		1	1		103		
Blower Assembly	X47833-		1	1		103	Prior to: 346- K0066159, 349- K0053129	
Capacitor- Run	033047		1	1		103		
Housing A.- W/Wheel	X30160		1	1		103		
Motor- Blower	046536-		1	1		103		

+ Available Separately

DESCRIPTION	PART NUMBER	345 QTY.	346 QTY.	349 QTY.	355 QTY.	WARR. CLASS	REMARKS	PARTS UPDATE
Brush-Black Bristle (1" x 2")	013071	1	1	1	1	000		
Brush-Double Ended	013072	1	1	1	1	000		
Brush-White Bristle	014753	1	1	1	1	000		
Brush-White Bristle (3" x 7")	023316	1	1	1	1	000		
Cable- Ribbon- 50C (5")	040040-010			1		103		
Cable- Ribbon- 50C (20")	040040-011	1	1	1	1	103		
Cable- Ribbon- 20C (18")	040040-042	1	1	1	1	103		
Cable- Ribbon- 20C (18")	040040-043	1	1	1	1	103		
Cable- Ribbon- 20C (14")	040040-041			1		103		
Cable- Ribbon- 14C (14")	040040-015			1		103		
Cable- Ribbon- 14C (22")	040040-019	1	1		1	103		
Carbonator	049455-27	1	1	1		103	McCann - J5061557/Up	95, 119
Probe A.- Carbonator w/Reed Switch	050257-27	1	1	1		103	230-60-1	103, 119
Carbonator (OLD)	032569	1	1	1		103	Jo Bell - Prior to J5061557	95
Card- FCB P.O.P.	043957	1	1		1	000		
Card- Flavor (Packet of 9 Cards)	035324	1	1	2	1	000		
Caster- Locking Swivel (Front)	030307	2	2	2		103		
+Lock- Caster Bracket	032571	2	2	2		103		
Caster- Swivel (Rear)	021279	2	2	2		103		
Compressor (COPELAND)	052396-	1	2	2		512	345- J9067375/Up 346- J9067641/Up 349- J9097086/Up	144
+Capacitor- Run 35UF/370V	029439	1	2	2		103	230-60-1	144
+Capacitor- Start 189- 227UF/250V	053106	1	2	2		103	230-60-1	144
+Relay- Compressor	052401-27	1	2	2		103	230-60-1	144
Compressor (BRISTOL)	036880-	1	2	2	1	512	Prior to: 345- J9067375, 346- J9067641, 349- J9097086, 355- J9053838. For Service- Use 047520- & the applicable start components. 355 - For Service - Use X53905-27 (Modifications Required - SB 2507)	140/141
+Capacitor- Run - 25UF/440V	037431	1	2	2	1	103	230-60-1	
+Capacitor- Start - 161- 193UF/250V	031790	1	2	2	1	103	230-60-1	
+Relay- Start- Compressor	037430	1	2	2	1	103	230-60-1	
Compressor (TECUMSEH)	047520-	1	2	2		512	Replacement for 036880-	
+Capacitor- Run - 35MFD/375V	029439	1	2	2		103	230-60-1	
+Capacitor- Start - 124- 147MFD/330V	048134	1	2	2		103	230-60-1	

+ Available Separately

DESCRIPTION	PART NUMBER	345 QTY.	346 QTY.	349 QTY.	355 QTY.	WARR. CLASS	REMARKS	PARTS UPDATE
+Relay-Start-Compressor	048150	1	2	2		103	230-60-1	
Compressor (COPELAND)	051958-				1	512	J9053838/Up - HP62 Also replacement for 036880- Must convert to HP62 Refrigerant & install 049154 Dryer. See Update 142	142
+Box A.- Cap/Relay	X53292-27				1	103	230-60-1 - J9053838/UP	142
+Capacitor-Start - 189-227UF/330V	033044-1				1	103	230-60-1	
+Relay-Start-Compressor	051957-27				1	103	230-60-1	
INCLUDES:								
+Capacitor-Run - 20UF/440V	012906				1	103	230-60-1	
Condenser-AC-12LX18HX3.12T 5RW	053502-1		1	1		103	Rear- Left Shell 346- J9072433/Up 349- J9097086/Up	
Condenser-AC-12LX18HX3.12T 5RW	052502-2		1	1		103	Front- Right Shell 346- J9072433/Up 349- J9097086/Up	
Condenser A/C	019558	1	2	2		103	Prior to: 346- J9072433 349- J9097086	
Condenser A/C	053376				1	103	Replaces 047083	139
Coupling A.- Torque	X39523	2	2	4	2	103		
Coupling- Drive Torque	046866	2	2	4	2	103		
Coupling- Load Torque	039397	2	2	4	2	103		
Pin- Coupling Torque	039453	6	6	12	6	103		
Screw- Set	025376	4	4	8	4	000		
Screw- Shoulder	039455	6	6	12	6	000		
Spring - Red	039734	6	6	12	6	103		
Label- Identification - Red	049285- RED	2	2	4	2	000		
Cover- Compressor	052816	1		2		103	Sound Barrier - J9067375/Up	144
Cover- Compressor	053290				1	103	Sound Barrier - J9053838/Up	142
Cover A.- Mix Tank- Relief Valve	X42080	2	2	4	2	103		
Clamp- Hose	042610	2	2	4	2	000		
Cover- Hopper	042079	2	2	4	2	103		
O- Ring- Hopper Cover	016037	2	2	4	2	000		
Tube- Vinyl Drain	020944-24	2	2	4	2	000	Bulk under R30335	
Valve- Pressure Relief	039365	2	2	4	2	103		
Decal- Cleaning Instructions	039416	1	1	1	1	000		
Decal- Left Control	043636-L	1	1		1	000	Prior to: 345- J9053838 346- J9072433, 355- J9012316	
Decal- Left Control	052898	1	1		1	000	345- J9053838/Up, 346- J9072433/Up, 355- J9012316/Up	142

+ Available Separately

DESCRIPTION	PART NUMBER	345 QTY.	346 QTY.	349 QTY.	355 QTY.	WARR. CLASS	REMARKS	PARTS UPDATE
Decal- Right Control	043636- R	1	1		1	000		
Decal- Dec.- Taylor Domed	053761	1	1	1	1	000	345- K0012597/Up, 346- K0024873/Up, 349- K0025070/Up, 355- K0013505/Up	
Decal- Decorative	045967	1	1		1	000	(Dec Plate- X44115- BLA) J8060000 to: 345- K0012597, 346- K0024873 349- K0025070, 355- K0013505	130
Decal- Decorative "Taylor Crown/Logo"	043892	1	1		1	000	Prior to J8060000	
Decal- Dec.- Slush- Press- 4 BRL	053646			1		000	349- J6114233/Up	
Decal- Decorative	043467			1		000	Prior to J9114233	
Decal- Power Switch	042941	1	1	1	1	000		
Decal- Pressure Gauge (Set of 4)	039463	1	1	2	1	000		
Decal- Troubleshooting	038374	1	1	1	1	000		
Deflector- Blower Exhaust	046586		1	1		103	Prior to: 346- J9072433, 346- J9071741	
Deflector A.- Air Exhaust *346*	X53549		1			103	J9072433/Up	
Deflector A.- Air Exhaust *349*	X53593			1		103	J9071741/Up	
Diagram- Wiring	053515-	1				000	J9067375/Up	144
Diagram- Wiring	044939-	1				000	Prior to J9067375	144
Diagram- Wiring *346*	053566		1			000	J9072433/Up	
Diagram- Wiring	044940-		1			000	Prior to J9072433	
Diagram- Wiring *349*	053636-			1			J9114233/Up	
Diagram- Wiring	043502S-			1		000	Prior to J9114233	
Diagram- Wiring	052840-				1	000	355- J8113767/Up	142
Diagram- Wiring	044107-				1	000	Prior to J9053838	
Display- Liquid Crystal	X38062- SER	1	1	1	1	103		
+Lens- Display	038221	1	1	1	1	103		
Door- Freezer	039573	2	2	4	2	103		
+Bearing- Front	039349	2	2	4	2	000		
+Handle- Draw Valve	046192- BLA	2	2	4	2	103	J8060000/Up	130
+Handle- Draw Valve	046192	2	2	4	2	103	Prior to J8060000	
+O- Ring	017003	2	2	4	2	000		
+Screw	053869	4	4	8	4	000		151
+Slide- Draw Handle	046193- BLA	4	4	8	4	103	J8060000/Up	130
+Slide- Draw Handle	046193	4	4	8	4	103	Prior to J8060000	
+Spout- Door	046190- BLA	2	2	4	2	103	J8060000/Up	130
+Spout- Door	046190	2	2	4	2	103	Prior to J8060000	

+ Available Separately

DESCRIPTION	PART NUMBER	345 QTY.	346 QTY.	349 QTY.	355 QTY.	WARR. CLASS	REMARKS	PARTS UPDATE
+Cap	046191- BLA	2	2	4	2	103	J8060000/Up	130
+Cap	046191	2	2	4	2	103	Prior to J8060000	
+Nut- Spout	039323	2	2	4	2	103		
+O- Ring	039219	4	4	8	4	000		
+Pin- Pivot	039321	2	2	4	2	103		
+Spring	039320	2	2	4	2	103		
+Valve- Draw	039324	2	2	4	2	103		
+O- Ring	016369	4	4	8	4	000		
Dryer- Filter	049154	1				000	J8124526/Up	144
Dryer- Filter	046138	1		2	1	000	Prior to: 345- J8124526, 349- J90097086, 355- J9012316	144
Dryer- Filter- HP62- 3/8 X 1/4S	048901		2			000	346- J9067641/Up	
Dryer- Filter	045866		2			000	Prior to J9067641	
Dryer- Filter	049154			2	1	000	349- J9097086/Up, 355- J9012316/Up	142
Filter- Air- 18.00LX16.50HX.70W	052779- 1		2	2		000	346- J9072433/Up, 349- J9097086/Up	
+Cover- Hole- Filter- Snap In	053801		2	2		000		
Filter- Corcom	040140- 001	1	1	1	1	103		
Filter- Water 1/4FFLINX1/4MFLOV	053697	1	1	1		000	345- J9102846/Up, 346- J9102432/Up 349- J9102424/Up	
Filter- Water (Carbonator)	044734	1	1	1		000	Prior to: 345- J9102846, 346- J9102432, 349- J9102424	
Filter A.- Regulator	X35019	1	1			103	Prior to: 345- J9067375, 346- J9067641	144
Filter- Water Line	029235	1	1			000		
Fitting 3/8 x 1/4	018466	1	1			103		
Gauge- Pressure (0 - 100 PSI)	043643	1	1			103		
Regulator (0 - 100 PSI)	043638	1	1			103		
Filter A.- Regulator	X42151			1		103	Prior to J9114233	
Filter- Water Line	029235			1		000		
Fitting 3/8 x 1/4	018466			1		103		
Gauge- Pressure (0 - 100 PSI)	043643			1		103		
Regulator (0 - 100 PSI)	043638			1		103		
Flow Control - w/o Pressure Switch	X48728- 27	2	2	4	2	103	Less Pressure Switch	
Body A.- Flow Control w/Solenoid	X48729- 27	2	2	4	2	103		
(Or X48729- SER - Body A.- Flow Control w/o Solenoid)		2	2	4		103		
+Body A.- Flow Control - Less Solenoid	X48729- SER	2	2	4	2	103		

+ Available Separately

DESCRIPTION	PART NUMBER	345 QTY.	346 QTY.	349 QTY.	355 QTY.	WARR. CLASS	REMARKS	PARTS UPDATE
Coil- Solenoid	048776-27	4	4	8	4	103		
Retainer- Inlet Line	048829	2	2	4	2	103		
Screw- 8 x 1/2 SL Hex	048709	30	24	48	24	000		
Bowl A.- Float- Flow Control	X48732	2	2	4	2	103		
Clip- Retainer- Syrup Pressure Switch	048710	4	2	4	2	103		
O- Ring- Flow Control Float A.	016137	4	4	8	4	000		
Retainer- Inlet Line	048829	2	2	4	2	103		
Screw- 8 x 1/2 SL Hex	048709	30	12	24	12	000		
Screw- 8- 32 x 3/8 Hex	041951	4	4	8	4	000		
+Switch- Pressure 35 PSI	048784	2	2	4	2	103		
+Switch- Pressure 15 PSI	049706	2	4	4	2	103	non- pressurized units only	
+Plug- Pressure Switch	049573	2	2	4	2	103	non- pressurized units only	
+O- Ring- Plug	016137	2	2	4	2	000	non- pressurized units only	
Fuse 15 Amp - In Line	045293	1	1	2	1	000		
+Holder- Fuse	045606	1	1	2	1	103		
Guide A.- Drip Pan	X47134	1	1			103		
Guide A.- Drip Pan	X47137				1	103		
Harness A.- Feed	X49312	1	1			103		
Adaptor- Swivel	016715	4	4			103		
Label- CO2	044519	2	2			000		
Ferrule	052140	6	6			000		
Fitting	049427	2	2			103		
Hose- Beverage	051826-146	1	1			000	Bulk - R30313	128
Hose- Beverage	051826-155	1	1			000	Bulk - R30313	
Hose- Beverage	051826-168	1	1			000	Bulk - R30313	
Marker- No. 1	018520	2	2			000		
Marker- No. 2	018521	2	2			000		
Valve- Check	030386	2	2			103		
Washer- Nylon Flare	018595	2	2			000		
Harness A.- Feed	X52457			1		103	J6050000/Up (Replaces X49313)	130
Adaptor- Swivel	016715			6		103		
Marker- No. 1	018520			2		000		
Marker- No. 2	018521			2		000		
Marker- No. 3	018522			2		000		
Marker- No. 4	018523			2		000		

+ Available Separately

DESCRIPTION	PART NUMBER	345 QTY.	346 QTY.	349 QTY.	355 QTY.	WARR. CLASS	REMARKS	PARTS UPDATE
Washer- Nylon Flare	018595			4		000		
Ferrule	052140			10		000		
Valve- Check	030386			4		103		
Hose- Beverage	051826- 180			4		000	Bulk - R30313	128
Hose- Beverage	051826- 210			1		000		
Label- CO2	044519			2		000		
Fitting	049427			4		103		
Harness A.- Feed	X51823				1	103		
Adaptor	018646				1	103		
Adaptor- Swivel	016715				8	103		
Decal- Soda	045199				3	000		
Elbow	049428				2	103		
Ferrule	021030				14	000		
Hose- Beverage	051826- 120				3	000	Bulk - R30313	128
Hose- Beverage	051826- 188				2	000		
Hose- Beverage	051826- 8				2	000		
Marker- No. 1	018520				3	000		
Marker- No. 2	018521				3	000		
Marker- No. 3	018522				2	000		
Marker- No. 4	018523				2	000		
Tee	019762				1	103		
Valve- Check	030386				2	103		
Valve- Check	049429				2	103		
Washer- Nylon Flare	018595				4	000		
Hood	044618	1	1		1	103		
Hood	042166			1		103		
Kit A.- Tune- Up	X39699	2	2	4	2	000		
Bearing- Front	039349	2	2	4	2	000		
O- Ring (Door Spout)	039219	4	4	8	4	000		
O- Ring (Draw Valve)	016369	4	4	8	4	000		
O- Ring (Drive Shaft)	025307	2	2	4	2	000		
O- Ring (Freezer Door)	017003	2	2	4	2	000		
O- Ring (Hopper Cover)	016037	2	2	4	2	000		
O- Ring (Prime Plug)	029751	4	4	8	4	000		
O- Ring Removal Tool	048260- WHT	1	2	4	2	000		

+ Available Separately

DESCRIPTION	PART NUMBER	345 QTY.	346 QTY.	349 QTY.	355 QTY.	WARR. CLASS	REMARKS	PARTS UPDATE
Seal (Drive Shaft)	032560	2	2	4	2	000		
Label- Caution- GRD- PERM- ENG/SP	032164		1	1	1	000	346- J9084947/Up. 349- J9097086/Up, 355- J9012316/Up	
Label- Door- Warning- Moving Parts	032749	1	1	1	1	000	*CAUTION*	
Label- Warning- Cover	051433	7	8	7	5	000	Replaces 036529 Decal	
Label- Warning- Do Not Draw Product	042279	2	2	2	2	000	w/Light Flashing 349- 4 prior to J8124111	
Label- Warning- Relieve Pressure	039462	2	2	2	2	000	To Prevent Injury 349- 4 prior to J8124111	
LED Assembly (Product Not Ready)	051807	1	1	2	1	103	New Amber Light (Replaces X42508)	136
Leg- 4"	036397				4	103		
+Cap- Rubber	039268				4	000		
Lens- Yellow	051751	1	2	4	2	103	LED Snap In - Replaces 042509- Lens- Red	
Line A.- Air Supply	X28150				1	103		
Adaptor- Swivel	016715				2	103		
Ferrule	052140				2	000		
Hose- Beverage	051826-65				1	000	Bulk - R30313	128
Line A.- CO2 (Regulator to Carbonator)	X44952	1	1			103		
Adaptor- Swivel	016715	2	2			103		
Label- CO2	044519	2	2			000		
Ferrule	052140	2	2			000		
Hose- Beverage	051826-24	1	1			000	Bulk - R30313	128
Line A.- CO2 (Regulator to Carbonator)	X44518			1		103		
Adaptor- Swivel	016715			2		103		
Ferrule	052140			2		000		
Hose- Beverage	051826-50			1		000	Bulk - R30313	128
Line A.- CO2 (Right & Left) (NEW)	X53880	2	2		2	103	Use w/New Style 3.5 Quart Mix Tank	151
Adaptor- Swivel	016715	4	4		4	103		
Ferrule	052140	4	4		4	000		
Hose- Beverage	051826-8	2	2		2	000	Bulk- R30313	
Line A.- CO2 (Right & Left) (OLD)	X43656	2	2		2	103	Use w/Old Style 2.5 Quart Mix Tank	151
Ferrule	052140	4	4		4	000		
Hose- Beverage	051826-9	2	2		2	000	Bulk - R30313	128
Line A.- CO2 (No. 1)	X52453			1		103	J805000/Up (Replaces X45182)	130
Adaptor- SWV 1/4F 1/4Barb*SS*	016715			2		103		
Ferrule	052140			2		000		
Marker- No. 1	018520			2		000		

+ Available Separately

DESCRIPTION	PART NUMBER	345 QTY.	346 QTY.	349 QTY.	355 QTY.	WARR. CLASS	REMARKS	PARTS UPDATE
Hose- Beverage	051826-30			1		000	Bulk - R30313 (Replaces 051826-14)	128/130
Line A.- CO2 (No. 2)	X52454			1		103	J8050000/Up (Replaces X45183)	130
Adaptor- SWV 1/4F 1/4Barb*SS*	016715			2		103		
Ferrule	052140			2		000		
Marker- No. 2	018521			2		000		
Hose- Beverage	051826-27			1		000	Bulk - R30313 (Replaces 051826-9)	128/130
Line A.- CO2 (No. 3)	X52455			1		103	J8050000/Up (Replaces X45184)	130
Adaptor- SWV 1/4F 1/4Barb*SS*	016715			2		103		
Ferrule	052140			2		000		
Marker- No. 3	018522			2		000		
Hose- Beverage	051826-28			1		000	Bulk - R30313 (Replaces 051826-8)	128/130
Line A.- CO2 (No. 4)	X52456			1		103	J8050000/Up (Replaces X45185)	130
Adaptor- SWV 1/4F 1/4Barb*SS*	016715			2		103		
Ferrule	052140			2		000		
Marker- No. 4	018523			2		000		
Hose- Beverage	051826-29			1		000	Bulk - R30313 (Replaces 051826-4)	128/130
Line A.- CO2 (CO2 Tank to Syrup Tank)	X31565	2	2	4	2	103		
Adaptor- Swivel	016715	4	4	8	4	103		
Ferrule	052140	4	4	8	4	000		
Hose- Beverage	051826-36	2	2	4	2	000	Bulk - R30313	128
Line A.- CO2- BIB Pump	X41005	2	2			103		
Ferrule	052140	2	2			000		
Hose- Beverage	051826-36	2	2			000	Bulk - R30313	128
Line A.- Mix Outlet (Left)	X49585	1	1			103		
Elbow- 1/4 FFL x 1/4 Barb	020563	1	1			103		
Elbow- 3/8 O- Ring x 1/4 Barb	049428	1	1			103		
Ferrule	052140	4	6			000		
Hose- Beverage	051826-3	1	1			000	Bulk - R30313	
Hose- Beverage	051826-32	1	1			000	Bulk - R30313	
Hose- Beverage	051826-40	1	1			000	Use w/Old Style 2.5 Quart Mix Tank	151
Hose- Beverage	051826-42	1	1			000	Use w/New Style 3.5 Quart Mix Tank	151
Marker- No. 1	018520	2	2			000		
Tee- 1/4 Barb- SS	019762	1	1			103		
Valve- Sampling	031622	1	1			103		
Line A.- Mix Outlet (Left & Right)	X49667				2	103		

+ Available Separately

DESCRIPTION	PART NUMBER	345 QTY.	346 QTY.	349 QTY.	355 QTY.	WARR. CLASS	REMARKS	PARTS UPDATE
Elbow- 1/4 FFL x 1/4 Barb	020563				2	103		
Elbow- 3/8 O - Ring x 1/4 Barb	049668				2	103		
Ferrule	052140				8	000		
Hose- Beverage	051826- 24				2	000		
Hose- Beverage	051826- 46				2	000	Use w/New Style 3.5 Quart Mix Tank	
Hose- Beverage	051826- 40				2	000	Use w/Old Style 2.5 Quart Mix Tank	
Valve- Sampling	031622				2	103		
Line A.- Mix Outlet (Right)	X49586	1	1			103		
Elbow- 1/4 FFL x 1/4 Barb Swivel	020563	1	1			103		
Elbow- 3/8 O - Ring x 1/4 Barb SS	049428	1	1			103		
Ferrule	052140	6	6			000		
Hose- Beverage	051826- 3	1	1			000		
Hose- Beverage	051826- 32	1	1			000		
Hose- Beverage	051826- 42	1	1			000	Use w/New Style 3.5 Quart Mix Tank	151
Hose- Beverage	051826- 40	1	1			000	Use w/Old Style 2.5 Quart Mix Tank	151
Marker- No. 2	018521	2	2			000		
Tee- 1/4 Barb SS	019762	1	1			103		
Valve- Sampling	031622	1	1			103		
Line A.- Mix Outlet (No. 1)	X49719			1		103		
Elbow- 1/4 FFL x 1/4 Barb	020563			1		103		
Elbow- 3/8 O - Ring x 1/4 Barb	049428			1		103		
Ferrule	052140			6		000		
Hose- Beverage	051826- 5			1		000		
Hose- Beverage	051826- 38			1		000	Use w/New Style 3.5 Quart Mix Tank	151
Hose- Beverage	051826- 36			1		000	Use w/Old Style 2.5 Quart Mix Tank	151
Hose- Beverage	051826- 48			1		000		
Marker- No. 1	018520			2		000		
Tee	019762			1		103		
Valve- Sampling	031622			1		103		
Line A.- Mix Outlet (No. 2)	X49720			1		103		
Elbow- 1/4 FFL x 1/4 Barb	020563			1		103		
Elbow- 3/8 O - Ring x 1/4 Barb	049428			1		103		
Ferrule	052140			6		000		
Hose- Beverage	051826- 3			1		000	Use w/Old Style 2.5 Quart Mix Tank	
Hose- Beverage- 1/4 ID X 7/16 OD	051826- 5			1		000	Use w/New Style 3.5 Quart Mix Tank	

+ Available Separately

DESCRIPTION	PART NUMBER	345 QTY.	346 QTY.	349 QTY.	355 QTY.	WARR. CLASS	REMARKS	PARTS UPDATE
Hose- Beverage	051826-48			1		000	Use w/Old Style 2.5 Quart Mix Tank	151
Hose- Beverage	051826-50			2		000	Use w/New Style 3.5 Quart Mix Tank	151
Marker- No. 2	018521			1		000		
Tee- 1/4 Barb SS	019762			1		103		
Valve- Sampling	031622			1		103		
Line A.- Mix Outlet (No. 3)	X49721			1		103		
Elbow- 1/4 FFL x 1/4 Barb	020563			1		103		
Elbow- 3/8 O- Ring x 1/4 Barb	049428			1		103		
Ferrule	052140			6		000		
Hose- Beverage	051826-5			1		000		
Hose- Beverage	051826-48			1		000	Use w/Old Style 2.5 Quart Mix Tank	151
Hose- Beverage	051826-50			2		000	Use w/New Style 3.5 Quart Mix Tank	151
Marker- No. 3	018522			2		000		
Tee	019762			1		103		
Valve- Sampling	031622			1		103		
Line A.- Mix Outlet (No. 4)	X49722			1		103		
Elbow- 1/4 FFL x 1/4 Barb	020563			1		103		
Elbow- 3/8 O- Ring x 1/4 Barb	049428			1		103		
Ferrule	052140			6		000		
Hose- Beverage	051826-5			1		000		
Hose- Beverage	051826-38			1		000	Use w/New Style 3.5 Quart Mix Tank	151
Hose- Beverage	051826-36			1		000	Use w/Old Style 2.5 Quart Mix Tank	151
Hose- Beverage	051826-48			1		000		
Marker No. 4	018523			2		000		
Tee	019762			1		103		
Valve- Sampling	031622			1		103		
Line A.- Pressure (Water)	X44961	1	1			103	Prior to: 345- J9067375, 346- J9056262	144
Adaptor- Barb	018646	1	1			103		
Adaptor- Swivel	016715	1	1			103		
Ferrule	052140	2	2			000		
Hose- Beverage	051826-63	1	1			000		
Line A.- Soda (Carbonator- Sentry)	X49587	1	1			103		
Adaptor- Swivel	016715	3	3			103		
Decal- Soda	045199	3	3			000		
Ferrule	052140	6	6			000		

+ Available Separately

DESCRIPTION	PART NUMBER	345 QTY.	346 QTY.	349 QTY.	355 QTY.	WARR. CLASS	REMARKS	PARTS UPDATE
Hose- Beverage	051826- 28	1	1			000		
Hose- Beverage	051826- 30	2	2			000		
Tee	019762	1	1			103		
Valve- Check	049429	2	2			103		
Washer- Nylon	018595	2	2			000		
Line A.- Water (Pump Discharge)	X49485	1	1			103		
Elbow	049464	2	2			103		
Ferrule	029834	2	2			000		
Hose- Beverage	020565- 28	1	1			000	Bulk - R30333	
Line A.- Water (Pump Discharge)	X49465			1		103		
Elbow	049464			2		103		
Ferrule	029834			2		000		
Tube- Nylobrade	020565- 24			1		000		
Line A.- Water (Pump Inlet)	X44953	1	1			103	Prior to: 345- J9067375, 346- J9055262	144
Adaptor	019194	2	2			103		
Ferrule	029834	2	2			000		
Tube- Nylobrade	020568- 86	1	1			000		
Line A.- Water (Pump Inlet)	X42219			1		103	Prior to J9102424	
Adaptor	019194			2		103		
Ferrule	029834			2		000		
Tube- Nylobrade	020565- 20			1		000		
Line A.- Water- Regulator	X53386	1	1			103	345- J9067375/Up, 346- J9067641/Up	144
Adaptor- Swivel- 3/8F x 3/8 Barb	019194	1	1			103		
Ferrule	029834	6	6			000		
Fitting- 3/8MFL x 3/8 Barb	053503	1	1			103		
Hose- Beverage	020565- 3	1	1			000	Bulk R30333	
Tube- Nylobrade	020565- 38	1	1			000	Bulk R30333	
Hose- Beverage	020565- 50	1	1			000	Bulk R30333	
Regulator- Water 30 PSI Fixed	051729	1	1			103		
Tee- 3/8 Barb x 1/4MFL x 3/8 Barb	038582	1	1			103		
Line A.- Water *349*REG.	X53645			1		103	J9114239/Up	
Adaptor- SWV 3/8F X 3/8arb*SS*	019194			1		103		
Ferrule- .650 ID NP Brass	029834			6		000		
Fitting- 3/8MFL X 3/8Barb- Brass	053503			1		103		
Hose- Beverage- 3/8 ID X 5/8 OD	020565- 16			1		000	Bulk R30333	

+ Available Separately

DESCRIPTION	PART NUMBER	345 QTY.	346 QTY.	349 QTY.	355 QTY.	WARR. CLASS	REMARKS	PARTS UPDATE
Hose- Beverage- 3/8 ID X 5/8 OD	020565-38			1		000	Bulk R30333	
Hose- Beverage- 3/8 ID X 5/8 OD	020565-8			1		000	Bulk R30333	
Regulator- Water- 30 PSI Fixed	051729			1		103		
Tee- 3/8 BARBX1/4MFLX3/8BARB- SS	038582			1		103		
Lubricant- Taylor	048232	1	1	1	1	000		
Manifold A.- CO2 - 2 Regulators - 2 Solenoids	X51834-27	1	1			103	J8040000/Up	128
Elbow- 1/4MFL X 1/8MPT Brass	005139	3	3			103		
Manifold- CO2 - 2 Regulator - 2 Solenoid	051835-27	1	1			103		
Gauge- 60 PSI - 1/8 MPT- Back Mount	027875	1	1			103		
Gauge- 100 PSI - 1/8 MPT- Back Mount	052699	1	1			103		
Regulator- 60 PSI	051835-4	1	1			103		136
Regulator- 20 PSI	051835-3	1	1			103		136
Coil- Service- CO2 Manifold	051835-2	2	2			103		136
+ Kit- Service- Valve & Coil	051835-1	2	2			103	Includes: Plunger Tube, Nut, Coil & Bracket, Spring, Plunger & O- Ring	136
Valve- Check - 1/4MPT In X 1/4MFL Out	044534	2	2			103		
Manifold A.- CO2 - 2 Regulator- 4 Solenoid	X51838-27			1		103	J8054096/Up (Repl X47223-27 Sol)	129
Elbow- 1/4MFL X 1/8MPT Brass	005139			2		103		
Fitting- 1/4MFL X 1/8MPT	001485			1		103		
Manifold- CO2- 2Reg/4Sol*349*	051839-27			1		103		
Coil- Service- CO2 Manifold	051835-2			4		103		136
Gauge- 60 PSI- Back Mount	027875			1		103		136
Gauge- 100 PSI- Back Mount	052699			1		103		
Regulator- 60 PSI	051835-4			1		103		
Regulator- 20 PSI	051835-3			1		103		
+ Kit- Service- Valve & Coil	051835-1			4		103	Includes: Plunger Tube, Nut, Coil & Bracket, Spring, Plunger & O- Ring	136
Valve- Check 1/4MPTINX1/4MFLOUT	044534			4		103		
Valve- Check- 1/4MPT In X 1/4MFL Out	044534			4		103		
Manifold- CO2- 2 Regulator - 4 Solenoid	051839-27			1		103		
Manifold A.- CO2 - 1 Regulator - 2 Solenoid	X51832-27				1	103	J8040000/Up	129
Elbow- 1/4MFL X 1/8MPT Brass	005139				2	103		
Manifold- CO2- 1 Regulator - 2 Solenoids	051833-27				1	103		
Coil- Service- CO2 Manifold	051835-2				2	103		136
Gauge- 60PSI- 1/8 MPT- Back Mount	027875				1	103		136

+ Available Separately

DESCRIPTION	PART NUMBER	345 QTY.	346 QTY.	349 QTY.	355 QTY.	WARR. CLASS	REMARKS	PARTS UPDATE
Regulator - 20 PSI	051835-3				1	103		136
+ Kit- Service- Valve & Coil	051835-1				2	103	Includes: Plunger Tube, Nut, Coil & Bracket, Spring, Plunger & O- Ring	136
Valve- Check - 1/4MPT In X 1/4MFL Out	044534				2	103		
Manifold A.- Soda w/Check Valve	X49718			1		103		
Adaptor- Swivel	016715			5		103		
Adaptor- 1/8 MP x 1/4 Barb	020130			1		103		
Ferrule	052140			10		000		
Fitting- 3/8 O- Ring x 1/4 Barb SS	049427			4		103		
Hose- Beverage	051826-19			1		000		
Hose- Beverage	051826-23			2		000		
Hose- Beverage	051826-26			2		000		
Manifold A.- Soda	X42342			1		103		
Valve- Check	042352			4		103		
Washer- Flare Nylon	018595			4		000		
Man- Oper 345/346/349/355	039710-M	1	1	1	1	000		
Motor- Beater	014477-	2	2			212		
Motor- Beater	033140-			2	1	212		
Motor- Fan 50 Watt	029770-	1				103	J9067375/Up	144
+Blade- Fan (12" Pull)	53419	1				103	J9067375/Up	144
Motor- Fan - 120 Watt	041401-	1				103	Prior to J9067375	144
+Blade- Fan (12" Pull)	047061	1				103	Prior to J9067375	144
+Capacitor- Run - 4UF- 370V	019624	1				103	Fan Motor - Prior to J9067375	144
Motor- Fan - 50 Watt	029770-				1	103	J9053838/Up	142
+Blade- Fan (12" Push)	049009				1	103	J9053838/Up	142
Motor- Fan - 80 Watt	051744-				1	103	J8010000 thru J9053837	
+Blade- Fan (12" Push)	047279				1	103		
+Capacitor- Run - 4UF- 440V	051785				1	103	Fan Motor (208- 230/60/1)	
Motor- Fan - 120 Watt	041401-				1	103	Prior to J8010000	
+Blade- Fan (12" Push)	047060				1	103		
+Capacitor- Run - 4UF- 370V	019624				1	103		
Motor- Pump	016309-	1	1	1		103		
Nut- Stud	043666	8	8	16	8	103		
Pail (10 qt. - 9.5 liter)	013163	1	1	1	1	000		
Pan- Drip (Expansion Valve)	044949	1	1			103		

+ Available Separately

DESCRIPTION	PART NUMBER	345 QTY.	346 QTY.	349 QTY.	355 QTY.	WARR. CLASS	REMARKS	PARTS UPDATE
Pan-Long Black Drip 19- 1/2 in Long	035034	1	1		1	103	Rear Shell Bearing	
Pan-Rear White Drip	043612	1	1		1	103	Drip Guide	
Pan A.- Drip w/Hose (Left)	X42201			1		103	Rear Shell Bearing	
Pan A.- Left Drip	X42202			1		103	Rear Shell Bearing	
Tube- Vinyl Drain	020944- 11			1		000		
Pan A.- Drip w/Hose (Right)	X42203			1		103	Rear Shell Bearing	
Pan A.- Right Drip	X42204			1		103	Rear Shell Bearing	
Tube- Vinyl Drain	020944- 11			1		000		
Pan A.- Drip (Expansion Valve)	X50226			1		103		
Panel-Front Lower	043599- BLA	1	1			103	J8060000/Up	130
Panel-Front Lower	043599	1	1			103	Prior to J8060000	
Panel-Front- Lower	042082- BLA			1		103	J8110000/Up	
Panel-Front Lower	042082- WHT			1		103	Prior to J8110000	
Panel-Front Lower	043599SBLA			1	1	103	J8060000/UP	130
+Plug- Hole- 1/2- Black	049775				2	000		
Panel-Front Lower	043599- SP				1	103	Prior to J8060000	
Panel-Front Upper	043600- BLA	1	1		1	103	J8060000/Up, 355J9024482/Up	130
Panel-Front Upper	043600	1	1		1	103	Prior To J8060000	
Panel-Front Upper	042081- BLA			1		103	J8110000/Up	
Panel-Front Upper	042081- WHT			1		103	Prior to J8110000	
Panel-Rear	044921- SP1	1	1			103		
Panel-Rear *349*Drain Hole*	042198			1		103	J9114240/Up	
Panel A.- Rear	X42197			1		103	Prior to J9114240	
Panel-Rear	044621- SS				1	103		
Panel-Service	044916	1				103		
Panel-Service *346* Filter	053612		1			103	Air cooled only - J9072433/Up	
Panel-Service	045125		1			103	Water cooled and A/C prior to J9072433	
Panel-Service *349*AC*	053652			1		103	Air cooled only J9114233/Up	
Panel-Service	042293			1		103	Water cooled and A/C Prior to J9114233	
Panel A.- Left Side	X45136	1				103		
Panel A.- Left Side	X44917		1			103		
Panel A.- Left Side	X42289			1		103		
Panel- Left Side	044619- SP				1	103		
Panel A.- Side *346*AC*R*Filter	X53611		1			103	Air cooled only - J9072433/Up	
Panel A.- Right Side	X44919	1	1			103	Water cooled and A/C prior to J9072433	

+ Available Separately

DESCRIPTION	PART NUMBER	345 QTY.	346 QTY.	349 QTY.	355 QTY.	WARR. CLASS	REMARKS	PARTS UPDATE
Panel A.- Right Side	X42291			1		103		
Panel- Right Side	044620- SP				1	103		
PCB A.-Brown Out	X47299- SER	1	1	1		103		
PCB A.-Control *345* UVC2 (CURRENT)	X53580- SER	1				212	J9067375/Up	144
PCB A.- UVCA (Base Board)	X51169- SER	1				212		
Chip- Software UVC2 Display	X40872	1				103		
Chip- Software UVC2 Chip- SEL	X40873	1				103		
Chip- Software UVC2 U10 English	X40875	1				103		
Chip- Software UVC2 U11	X40876	1				103		
Chip- Software	X40790	1				103	J9067375/Up	
PCB A.-Control *345* UVC2 (OLD STYLE)	X52440- SER	1				212	J8072717 thru J9067374	132/144
PCB A.- UVC2 (Base Board)	X51169- SER	1				212	J8072717/UP	132
Chip- Software (Old)	X40878	1				103	J8072717 thru J9067374	132
PCB A.-Control (OLD STYLE)	X47235- SER	1				212	Use X52440- SER	132
PCB A.- Universal (Base Board/Old)	X44863- SER	1				212	Prior to J8072717	132
Chip- Software/Old	X40837	1				103	Prior to J8072717	132
PCB A.-Control *346* UVC2 (CURRENT)	X53517- SER		1			212	J9067641/Up	145
PCB A.- Universal (Base Board)	X51169- SER		1			212	J9067641/Up	145
Chip- Software UVC2 Display	X40872	1	1			103		
Chip- Software UVC2 Chip- SEL	X40873	1	1			103		
Chip- Software UVC2 U10 English	X40875	1	1			103		
Chip- Software UVC2 U11	X40876	1	1			103		
Chip- Software	X40789		1			103	J9067641/Up	145
PCB A.-Control (OLD STYLE)	X47233- SER		1			212	Use X53517- SER	145
PCB A.- Universal (Base Board)	X44863- SER		1			212	Prior to J9067641	145
Chip- Software	X40838		1			103	Prior to J9067641	145
PCB A.-Control (CURRENT)	X53653- SER			1		212	J9114233/Up	148
PCB A.- Universal (Base Board)	X51169- SER			1		212	J9114233/Up	148
Chip- Software UVC2 Display	X40872	1	1	1		103		
Chip- Software UVC2 Chip- SEL	X40873	1	1	1		103		
Chip- Software UVC2 U10 English	X40875	1	1	1		103		
Chip- Software UVC2 U11	X40876	1	1	1		103		
Chip- Software	X40791			1		103	J9114233/Up	148
IC- Parallel Port Chip	040176- 006			1		103		
PCB A.-Control (OLD STYLE)	X45315- SER			1		212	Use X53653- SER	148

+ Available Separately

DESCRIPTION	PART NUMBER	345 QTY.	346 QTY.	349 QTY.	355 QTY.	WARR. CLASS	REMARKS	PARTS UPDATE
PCB A.- Universal (Base Board)	X44863- SER			1		212	Prior to J9114233	
Chip- Software	X40833			1		103	Prior to J9114233	
PCB A.- Control *355- 355A UVC2*(CURRENT)	X52846- SER				1	212	J9053838/Up	142
PCB A.- UVC2 (Base Board)	X51169- SER				1	212	J8072560/Up	
Chip- Software UVC2 Display	X40872	1	1	1	1	103		
Chip- Software UVC2 Chip- SEL	X40873	1	1	1	1	103		
Chip- Software UVC2 U10 English	X40875	1	1	1	1	103		
Chip- Software UVC2 U11	X40876	1	1	1	1	103		
Chip- Software- 355- 355A UVC2	X40781				1	103	J9053838/Up	142
PCB A.- Control *355*UVC2 (OLD STYLE)	X52439- SER				1	212	Use Prior to J9053838 (Replaces X47234- SER)	132/142
PCB A.- UVC2 (Base Board)	X51169- SER				1	212	J8072560/Up	132
Chip- Software	X40877				1	103	J8072560 thru J9053837	132/142
PCB A.- Control (OLD STYLE)	X47234- SER				1	212	Use X52439- SER	132
PCB A.- Universal (Base Board)	X44863- SER				1	212	Prior to J8072560	132
Chip- Software	X40839				1	103	Prior to J8072560	132
PCB A.- Interface	X45622- SER	1	1	2	1	212		
Plate- Decorative	035410- BLA			1		103	J8110000/Up	
Plate- Decorative (Cover w/Slots for Flavor Cards)	035410			1		103	Prior to J8110000 (White)	
Plate- Dec- 345- 346- 355*BLACK	043639- BLA	1	1		1	103	345- J9125292/Up, 346- J9113331/Up, 355- J9024482/Up	
Plate A.- Decorative	X44115- BLA	1	1		1	103	J8060000 to: 345- J9125292, 346- J9113331, 355- J9024482	130
Plate A.- Decorative	X44115	1	1		1	103	Prior to J8060000	
Plug- Prime	039568	2	2	4	2	103		
+O- Ring	029751	4	4	8	4	000		
Probe- Thermistor (Barrel)	038061- BLK	2	2	4	2	103		
Pulley- 11" Dia. (Rear Bearing Unit)	025570	2	2			103		
Pulley- 11" Dia.	035955			2	1	103		
Pulley (Rear Bearing Unit)	047094			2	1	103		
Pulley (Rear Bearing Unit)	047095			2	1	103		
Pulley (Beater Motor)	027616	2	2			103		
Pulley (Beater Motor)	042190			2	1	103		
Pump- Water	016306	1	1			103		

+ Available Separately

DESCRIPTION	PART NUMBER	345 QTY.	346 QTY.	349 QTY.	355 QTY.	WARR. CLASS	REMARKS	PARTS UPDATE
Pump- Water	042791			1		103		
Regulator- CO2 (Wall Mount)	051840	1	1	1	1	103	Replaces 031623	124, 126
Includes:								
Diaphragm	051840- 6	1	1	1	1	103		
Seat Assembly	051840- 7	1	1	1	1	000		
Gauge- Regulator- 160 lb.	051840- 15	2	2	2	2	103		
Gauge- Regulator- 3000 lb.	051840- 16	1	1	1	1	103		
Hose- Regulator- 3 Foot- HI Pressure	051840- 22	1	1	1	1	103	Includes Fittings	
Ring- Quad- Hose- Regulator- CO2	051840- 22R	1	1	1	1	000		
Relay- Compressor	012725-	1	2	2	1	103		
Sanitizer- Kay 5	041082	1	1	1	1	000		
Sensor A.- EVC	X44951	2	2		2	103		
Sensor A.- Viscosity No. 1	X47221- 1			1		103		
Sensor A.- Viscosity No. 2	X47221- 2			1		103		
Sensor A.- Viscosity No. 3	X47221- 3			1		103		
Sensor A.- Viscosity No. 4	X47221- 4			1		103		
Shaft- Beater Drive	039337	2	2	4	2	103		
+Bushing- Drive Shaft Seal	042278	2	2	4	2	103		
+O- Ring	025307	2	2	4	2	000		
+Seal	032560	2	2	4	2	000		
Shelf- Drip Tray	049697				1	103		
+Screw- Thumb	044403				2	000		
Shelf A.- Drip Tray	X44898	1	1			103		
+Tube- Vinyl	020945- 96	1	1			000		
Shelf A.- Drip Tray	X38355			1		103		
+Tube- Vinyl	020945- 96			1		000		
Shell A.- Insulated (NEW)	X53756	2	2	4		512	345- K0026349/Up, 346- K0024873/Up, 349- K0025070/Up	151
Shell A.- Insulated (OLD)	X44905	2	2	4		512	Prior to Above Serial Numbers - replace with X53756 Shell, 053875- 5 or - 8 Feed tube. 345 & 346 also use X53880 CO2 Line.	151
Shell A.- Insulated (NEW)	X53812				2	512	3.5 Quart Mix Tank k0038353/Up	
Shell A.- Insulated (OLD)	X43624				2	512	Prior to K0038353 Replace With X53812 Shell, X53880 CO2 Line & 053875- 5 or - 8 Feed Tube	
Shield- Splash	043719	1	1		1	103		

+ Available Separately

DESCRIPTION	PART NUMBER	345 QTY.	346 QTY.	349 QTY.	355 QTY.	WARR. CLASS	REMARKS	PARTS UPDATE
Shield- Splash	038276			1		103		
Stud- Nose Cone (Freezing Cylinder)	020445	8	8	16	8	103		
+Washer- Freezer Stud	036265	8	8	16	8	000		
Switch- Pressure - 440 PSI	048230	1	2	2	1	103	345- J9067375/Up, 346- J9072433/Up, 349- J9097086/Up, 355- J9053838/Up	142/144
Switch- Pressure - 440 PSI	046362	1	2	2	1	103	Prior to: 345- J9067375, 346- J9072433, 349- J9097086, 355- J9053838	144
Switch- Low Pressure Switch (H2O)	016292	1	1	1	1	103		
Switch- Low Pressure Switch (CO2)	036070	1	1	1	1	103		
Switch- Membrane - 20" - Left	044521	1	1		1	103	345- J9067375/Up, 346- 9072433/Up, 355 - J9053838/Up	142/144
Switch- Membrane - 23" - Right	053138	1	1		1	103	345- J9067375/Up, 346- J9072433, 355 - J9053838/Up	142/144
Switch- Membrane	038065	2	2	4	2	103	Prior to: 345- J9067375, 346- J9072433, 355- J9053838	144
Switch A. - Float- Mix Level	X44936	2	2	4	2	103	Mix Hopper	
Switch- Toggle- SPST 3/4 HP 250V	012626	1	1	1	1	103	Power	
Transformer	045754	1	1	1	1	103		
Tray- Front Drip	043720- SP	1	1			103		
Tray- Front Drip	038275- SP			1		103		
Tray- Front Drip	043720				1	103		
Tube- Mix Feed (NEW)	053875- 5	2	2	4	2	103	New style 3.5 quart mix tank	151
Tube- Mix Feed (OLD)	039566- 5	2	2	4	2	103	Use w/old style 2.5 quart mix tank	151
Tube- Vinyl (Drip Tray Shelf- Drain Line)	020945- 96	1	1			000		
Valve- Access (Compressor)	044455	1	2		1	103		
Valve- Access (Compressor)	047016	1	2	2	1	103	Main High Side 349- Prior to J9114233	
Valve- Access (Compressor)	043232			2		103	349- Prior to J9114233	
Valve- Access- 1/4MFL X 3/8ODSDR	053565			4		103	349- J9114233/Up	
Valve- Automatic Expansion	046365	2	2	4	2	103		
+Boot- Expansion Valve	050900	2	2	4	2	000	345- J9067375/Up, 346- J9072433/Up, 349- J9114233/Up, 345- J9012316/Up	
+Boot- Expansion Valve	027137	2	2	4	2	000	Prior to: 345- J9067375, 346- J9072433, 349- J9114233, 355- J9012316	
Valve- Check (Defrost Line)	047053	2		4	2	103	Prior to: 345- J906737, 349- J9102431	144

+ Available Separately

DESCRIPTION	PART NUMBER	345 QTY.	346 QTY.	349 QTY.	355 QTY.	WARR. CLASS	REMARKS	PARTS UPDATE
Valve-Solenoid (Liquid Line/Defrost)	043449-	2		4	4	103	355 - Prior to J9053838 J9053838/Up, 355 - 2 Used Prior to J9053838	142
Valve-Sol 1/8ORF 1/4INX3/8OUT (Defrost)	053511-		2	4		103	346- J9072433/Up, 349 - J9114233/Up	
Valve-Solenoid (Defrost)	044982-	1	2	2	1	103	Prior to J9053838, 355 - 1 Used Prior to J9053838	144
Valve-Solenoid 1/8 ORF X 1/4S	053051-	2					J9055971/Up	
Valve A.- Solenoid (Regulator/CO2)	X44937-	1	1			103	Prior to S/N J8040000	128
+Elbow A.- Restrictor	X34866	2	2			103		
+Restrictor- Air	021162	2	2			000		
+Gauge- Pressure (0- 60 PSI)	021029	1	1			103		
+Gauge- Pressure (0- 100 PSI)	043643	1	1			103		
+Marker- No. 1	018520	1	1			000		
+Marker- No. 2	018521	1	1			000		
+Regulator (0- 100 PSI)	043638	2	2			103		
+Valve- Check	030386	2	2			103		
+Valve- Solenoid	047496-	2	2			103		
Valve A.- Solenoid (Regulator/CO2)	X47223-			1		103	Prior to S/N J8054096 - See Manifold	129
+Gauge- Pressure (0- 60 PSI)	021029			1		103		
+Gauge- Pressure (0- 100 PSI)	043643			1		103		
+Manifold A.- CO2	X44508			1		103		
+Marker- No. 1	018520			1		000		
+Marker- No. 2	018521			1		000		
+Marker- No. 3	018522			1		000		
+Marker- No. 4	018523			1		000		
+Regulator- CO2 (Primary) 0- 100 PSI	043638			2		103		
+Valve- Check	044534			4		103		
+Valve- Solenoid	017444			4		103		
Valve A.- Solenoid (Regulator/CO2)	X45309-				1	103	Prior to S/N J8040000	129
+Elbow A.- Restrictor	X34866				2	103		
+Elbow- Union	001486				2	103		
+Restrictor- Air	021162				2	000		
+Gauge- Pressure	021029				1	103		
+Marker- No. 1	018520				1	000		
+Marker- No. 2	018521				1	000		
+Regulator (0- 100 PSI)	043638				1	103		

+ Available Separately

DESCRIPTION	PART NUMBER	345 QTY.	346 QTY.	349 QTY.	355 QTY.	WARR. CLASS	REMARKS	PARTS UPDATE
+Valve- Check	030386				2	103		
+Valve- Solenoid	047496-				2	103		
Video- Train Film- FCB Pressure	046914- V	1	1	1	1	000	345- J9055921/Up, 346- J9072433/Up, 346- J9072433/Up, 355- J9012316	
Washer- Nylon Flare	018595	18	19	5	19	000		
REMOTE DISPENSER ASSEMBLY								
Carbonator	049455- 12				1	103		
Probe A.- Carbonator w/Reed Switch	050257- 12				1	103	115 Volt - J7062208/Up	119
Kit A.- Probe & Float	050258- 12				1	103	115 Volt - Prior to J7062208	
Cord- Power	036408				1	103		
Elbow- 3/8 FFL x 3/8 Barb	049464				2	103		
Elbow- 3/8 MFL x 3/8 MPT	007096				1	103		
Ferrule	029834				2	000		
Filter- Water 1/4FFLINX1/4MFLOW	053697				1	000	Replaces 044734	146, 147
Filter- Water Line	044558				1	000		
Gauge- Pressure (0- 100 PSI)	043643				1	103		
Label- Warn- Press (Low Water Pressure)	044108				1	000		
Label- Water Regulator	044110				1	000		
Leg- Rubber (Rubber Bumper)	044650				4	103		
Light- Indicator	017450				1	103		
Motor- Pump	016309- 12				1	103		
Panel- Exterior	044805				1	103		
Pump- Water	016306				1	103		
Regulator (0- 50 PSI)	029830				1	103		
Switch- Low Pressure (H2O)	016292				1	103		
Tube- Nylobrade (Pump to Carbonator Tank)	020565- 14				1	000	Bulk R30333	
Washer- 3/8 Flare- Nylon	077124				1	000		
50 CYCLE								
Belt	045166			2		000		
Belt	028182				1	000		
Capacitor- Run	012906	1	2		1	103	BRISTOL	
Capacitor- Start	038143	1	2		1	103	BRISTOL	
Capacitor- Run	029439	1	2			103	TECUMSEH & COPELAND	
Capacitor- Start	048134	1	2			103	TECUMSEH	

+ Available Separately

DESCRIPTION	PART NUMBER	345 QTY.	346 QTY.	349 QTY.	355 QTY.	WARR. CLASS	REMARKS	PARTS UPDATE
Capacitor- Run	023606				1	103	COPELAND - J9053838/Up	142
Capacitor- Start- 145- 175UF/220V	012901	1	2				COPELAND	
Capacitor- Start	051960				1	103	COPELAND - J9053838/Up	142
Motor- Fan 50 Watt	029770- 27				1	103	COPELAND - J9053838/Up	
Motor- Fan 100 Watt	047178- 34	1			1	103	BRISTOL	
+Blade- Fan (12"Pull)	047061	1				103		
+Blade- Fan (12"Push)	047279				1	103		
+Capacitor- Run - 4UF/370V	019624	1			1	103	Fan Motor	
Pulley (Beater Motor)	037297	1	2			103		
Pulley (Beater Motor)	044422				1	103		
Relay- Start	038146	1	2		1	103	BRISTOL	
Relay- Start	048133	1	2			103	TECUMSEH	
Relay- Start- Compressor	051957- 12	1	2				COPELAND	
Relay- Start	051957- 40				1	103	COPELAND - J9053838/Up	142

DESCRIPTION	PART NUMBER	345 QTY.	346 QTY.	349 QTY.	355 QTY.	WARR. CLASS	REMARKS	PARTS UPDATE
WATER COOLED								
Accumulator- Copper 2"DIA 13"LG	053377	1		2			2/18/99/Up	
Blower- 100 CFM	012796-	1				103	345- J9071890/Up	
Blower Assembly	X45116-	1	1	1		103		
Blower	012796-	1	1	1		103		
Condenser- WC- Coax	047540	1		1		103	345- J9071890/Up, 349- J9114879/Up	
Condenser	048287	1	2	2	1	103	Repl 018278 (J8050000/Up)	129
Guard- Blower	022505	1	1	1		103		
Motor- Fan	012768-				1	103		
+Blade- Fan (7" Push)	016289				1	103		
Panel- Left Side	044833- SP				1	103		
Switch- Pressure - 350 PSI	048231	1	2	2	1	103	345- J9053838/Up, 346- J9071890/Up, 349- J9114879/Up, 355- J9072849	142
Switch- Pressure - 350 PSI	046431	1	2	2	1	103		
Valve- Water	046686	1	2	2	1	103		

+ Available Separately

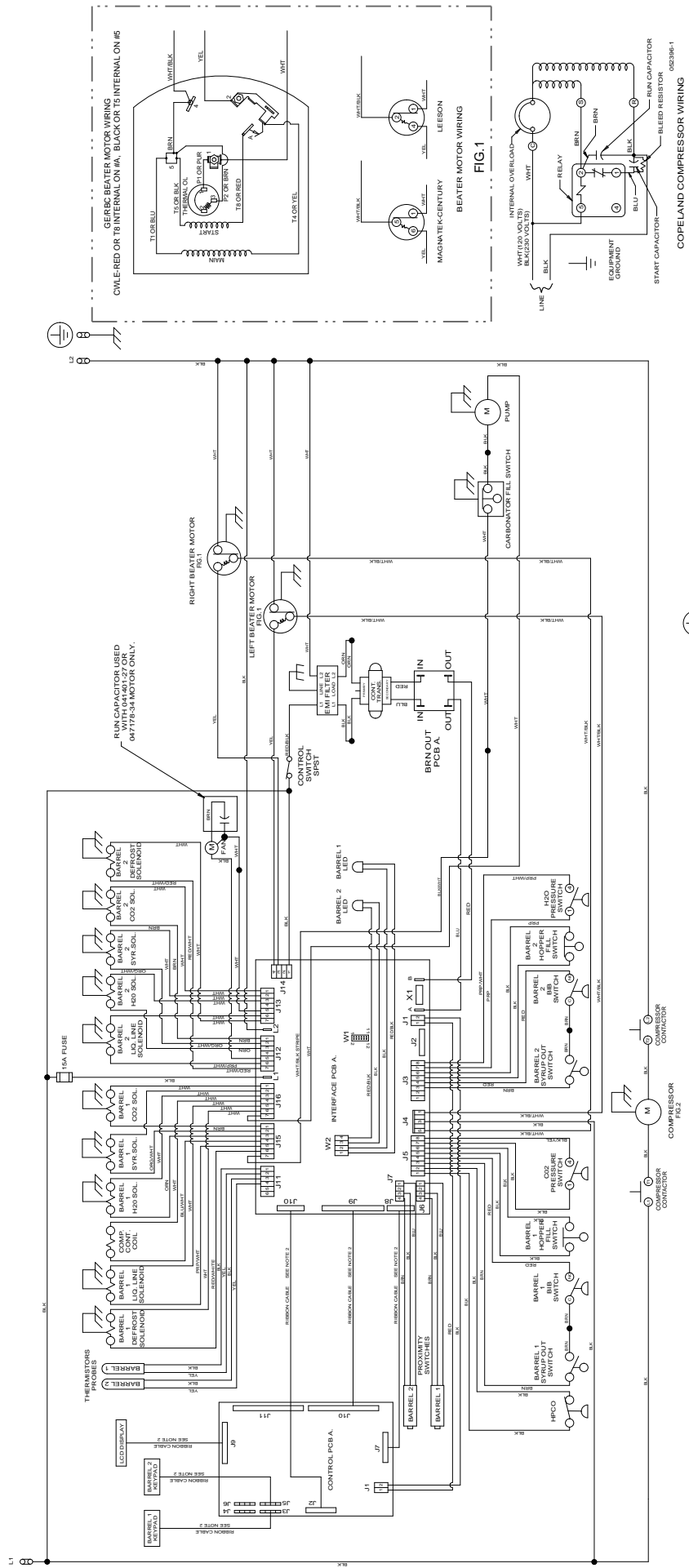


FIG. 1
GE/REC BEATER MOTOR WIRING
OWLE-RED OR 18 INTERNAL ON #A, BLACK OR 15 INTERNAL ON #B

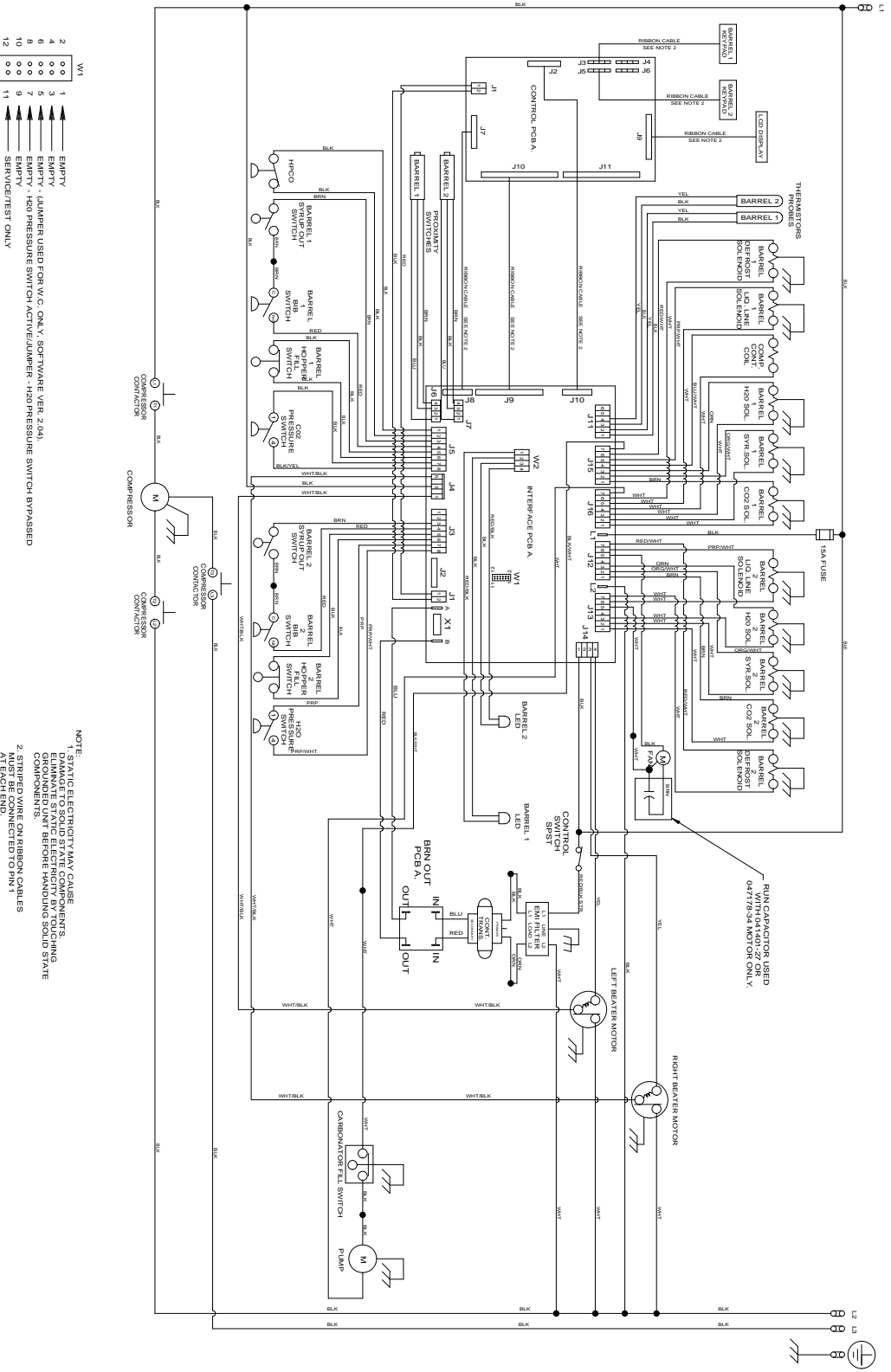
FIG. 2
COPELAND COMPRESSOR WIRING

NOTE: STATIC ELECTRICITY MAY CAUSE DAMAGE TO SOLID STATE COMPONENTS. ALWAYS DISCONNECT AND GROUND UNIT BEFORE HANDLING SOLID STATE COMPONENTS.
2. STRIPED WIRE ON RIBBON CABLES MUST BE CONNECTED TO PIN 1 AT EACH END.

GROUND FRAME
SECURELY

INTERFACE PCB A. W1 JUMPER BLOCK DETAIL
JUMPER BLOCK SHOWS AND 'X' WOULD INDICATE A UNIT CONFIGURED AS A MODEL 396 AIR COOLED WITH A H2O PRESSURE SWITCH.





- W1
- 1
 - 2
 - 3
 - 4
 - 5
 - 6
 - 7
 - 8
 - 9
 - 10
 - 11
 - 12

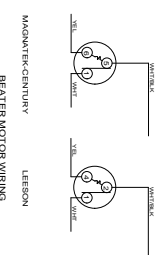
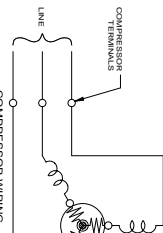
INTERFACE PCB A, W1 JUMPER BLOCK DETAIL

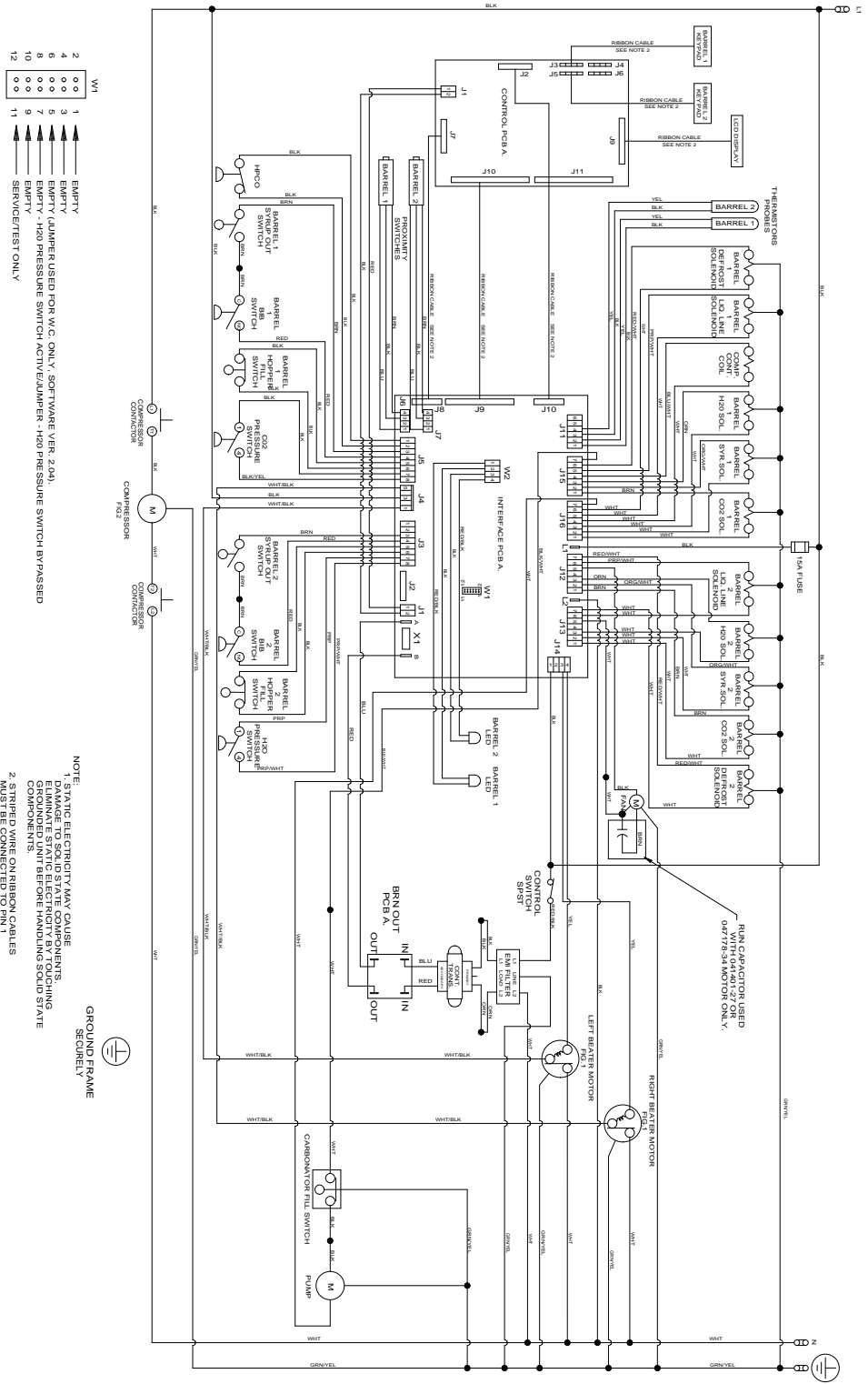
JUMPER BLOCK SHOWN ABOVE WOULD INDICATE A UNIT CONFIGURED AS A MODEL 345 AIR COOLED WITH A H2O PRESSURE SWITCH

NOTE:

1. STRIPED WIRE OR BUNDLE WIRE IS TO BE USED TO ELIMINATE STATIC ELECTRICALITY BY TOUCHING COMPONENTS
2. STRIPED WIRE OR BUNDLE WIRE IS TO BE USED TO ELIMINATE STATIC ELECTRICALITY BY TOUCHING COMPONENTS

RAIN CAPACITOR USED WITH 04-4101-27 OR 04-778-34 MOTOR ONLY.





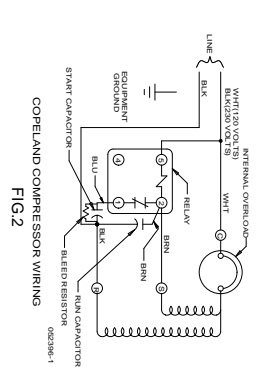
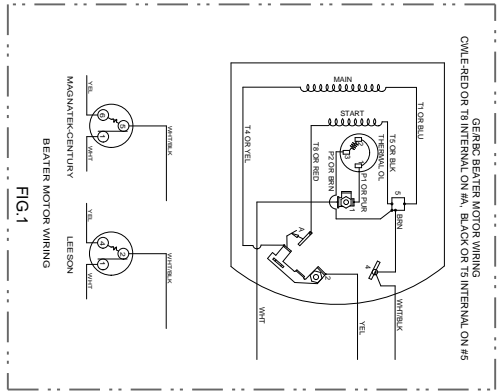
INTERFACE PCB A, W1 JUMPER BLOCK DETAIL

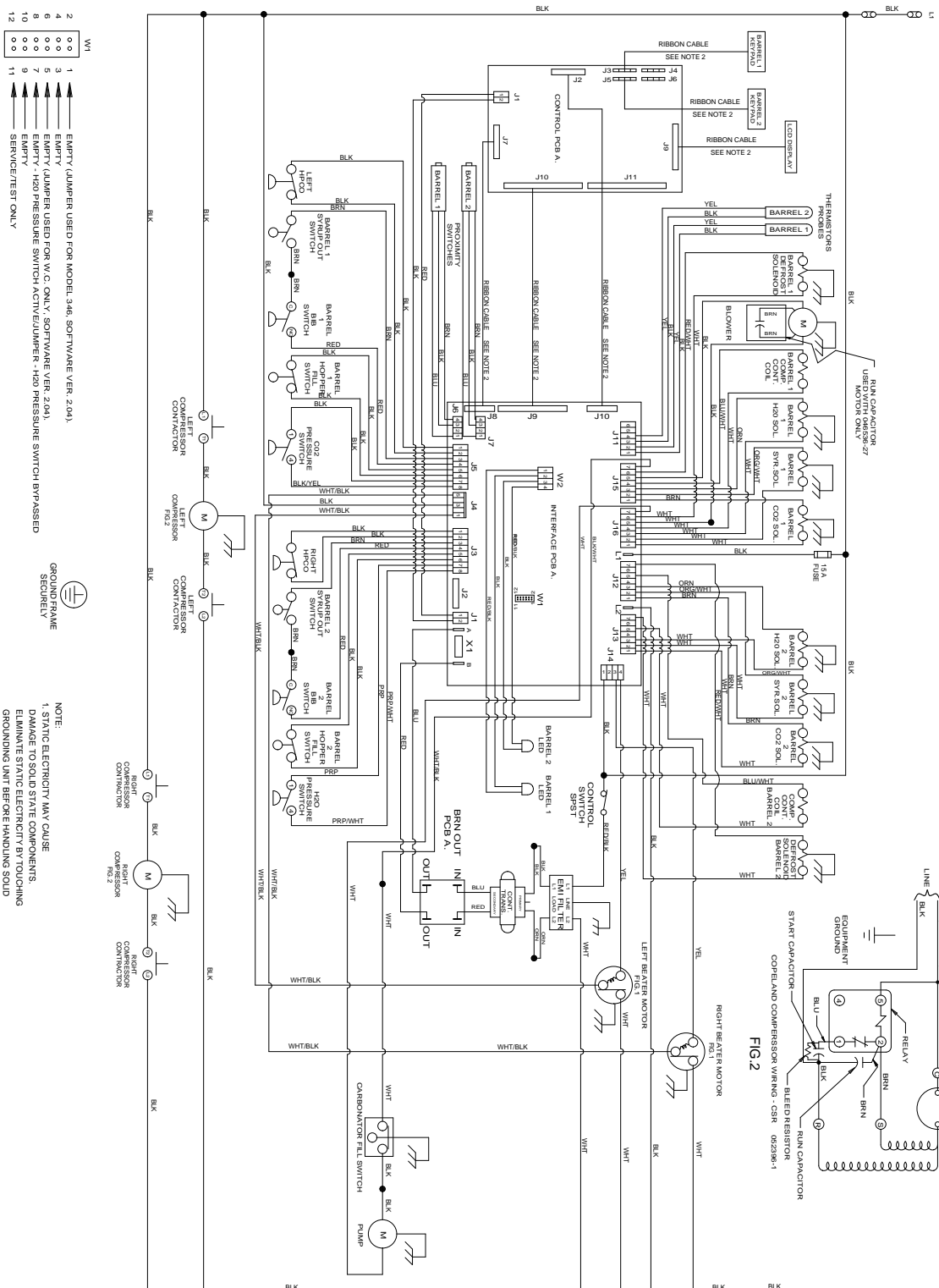
JUMPER BLOCK SHOWN ABOVE WOULD INDICATE A WIRT COMPRISED AS A MODEL, 3/6, AIR COOLED WITH A H2O PRESSURE SWITCH.

NOTE:

1. STAGNE ELECTRICITY/ANY CAUSE DAMAGE TO SONIC STATE COMPONENTS. ELIMINATE STATIC ELECTRICITY BY TOUCHING COMPONENTS.
2. STRIPE D WIRE ON RIBBON CABLES MUST BE CONNECTED TO PIN 1 AT EACH END.

GROUND FRAME SECURELY





- 2 0 0 0
- 4 0 0 0
- 6 0 0 0
- 8 0 0 0
- 10 0 0 0
- 12 0 0 0

WI
 1
 2
 3
 4
 5
 6
 7
 8
 9
 10
 11

INTERFACE PCB A, V1, JUMPER BLOCK DETAIL

1. STATIC ELECTRICITY MAY CAUSE DAMAGE TO SOLID STATE COMPONENTS. ELIMINATE STATIC ELECTRICITY BY TOUCHING GROUNDING UNIT BEFORE HANDLING SOLID STATE COMPONENTS.

2. STRIPPED WIRE ON RIBBON CABLES MUST BE CONNECTED TO PIN 1 AT EACH END.

GROUND FRAME
 SECURELY

NOTE:
 1. STATIC ELECTRICITY MAY CAUSE DAMAGE TO SOLID STATE COMPONENTS. ELIMINATE STATIC ELECTRICITY BY TOUCHING GROUNDING UNIT BEFORE HANDLING SOLID STATE COMPONENTS.

2. STRIPPED WIRE ON RIBBON CABLES MUST BE CONNECTED TO PIN 1 AT EACH END.

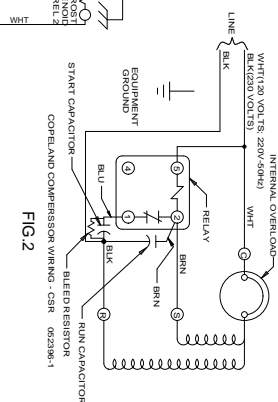


FIG. 2
 INTERNAL OVERLOAD-START CAPACITOR COPELAND COMPRESSOR WIRING - CSR 95298-1

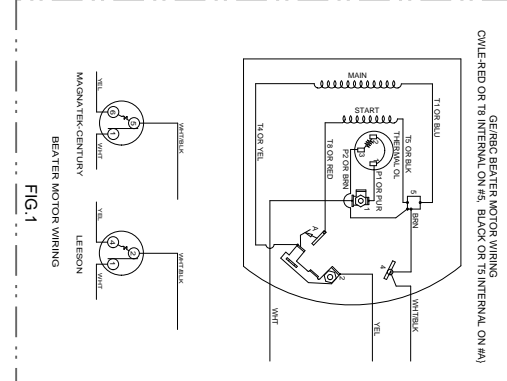


FIG. 1
 GE/RBG BEATER MOTOR WIRING
 CWL-RED OR T8 INTERNAL ON #8, BLACK OR T5 INTERNAL ON #4

- 2 0 0 1
- 4 0 0 3
- 6 0 0 5
- 8 0 0 7
- 10 0 0 9
- 12 0 0 11

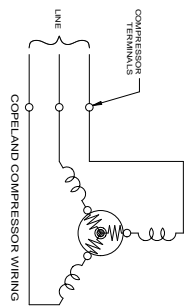
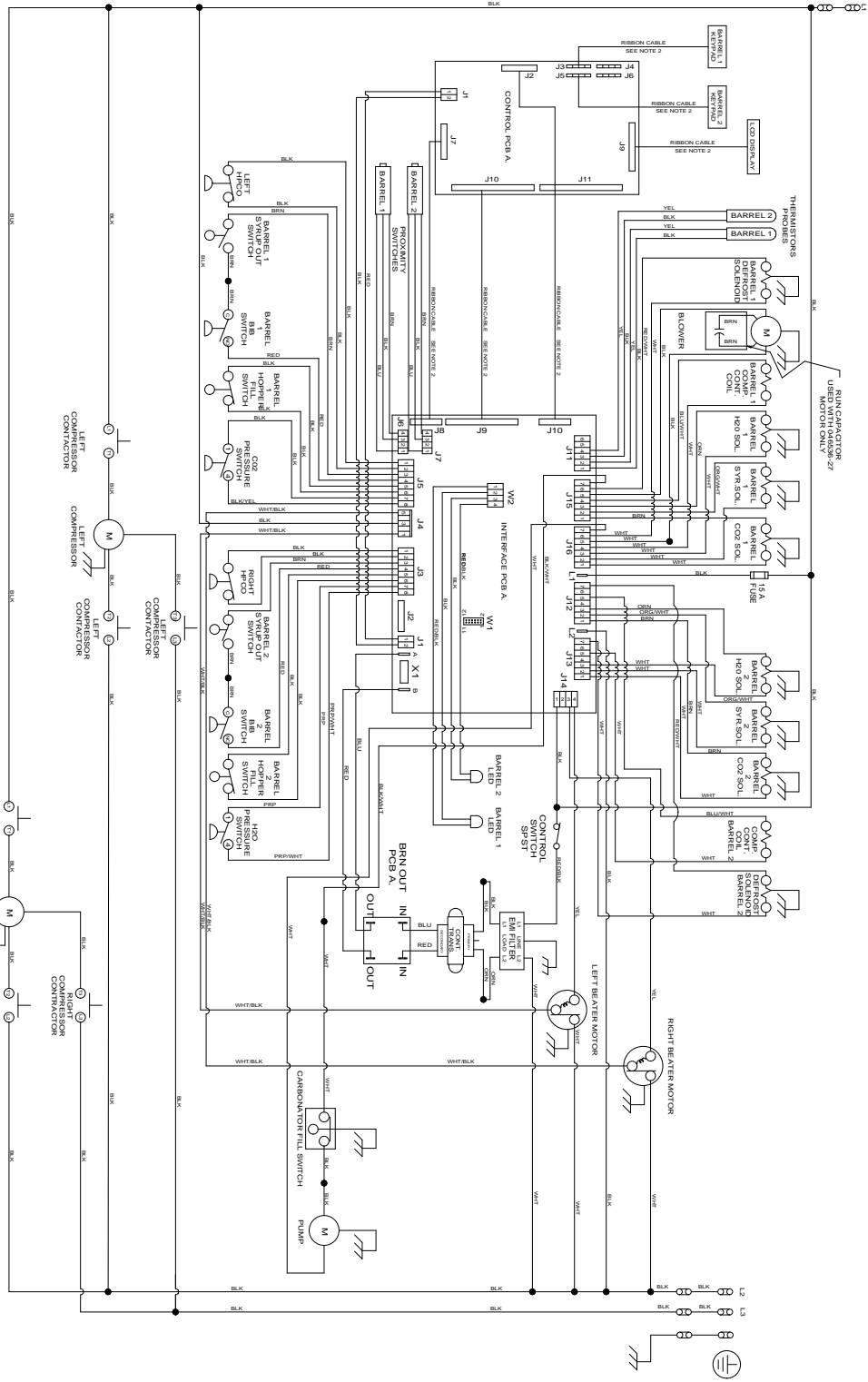
W1
 1 → EMPTY JUMPER USED FOR MODEL 346, SOFTWARE VER. 2.041.
 2 → EMPTY JUMPER USED FOR W. C. ONLY, SOFTWARE VER. 2.041.
 3 → EMPTY JUMPER USED FOR W. C. ONLY, SOFTWARE VER. 2.041.
 4 → EMPTY JUMPER USED FOR W. C. ONLY, SOFTWARE VER. 2.041.
 5 → EMPTY - H20 PRESSURE SWITCH ACTIVE/JUMPER - H20 PRESSURE SWITCH BYPASSED
 6 → EMPTY - H20 PRESSURE SWITCH ACTIVE/JUMPER - H20 PRESSURE SWITCH BYPASSED
 7 → EMPTY - H20 PRESSURE SWITCH ACTIVE/JUMPER - H20 PRESSURE SWITCH BYPASSED
 8 → EMPTY - H20 PRESSURE SWITCH ACTIVE/JUMPER - H20 PRESSURE SWITCH BYPASSED
 9 → EMPTY - H20 PRESSURE SWITCH ACTIVE/JUMPER - H20 PRESSURE SWITCH BYPASSED
 10 → EMPTY - H20 PRESSURE SWITCH ACTIVE/JUMPER - H20 PRESSURE SWITCH BYPASSED
 11 → EMPTY - H20 PRESSURE SWITCH ACTIVE/JUMPER - H20 PRESSURE SWITCH BYPASSED
 12 → EMPTY - H20 PRESSURE SWITCH ACTIVE/JUMPER - H20 PRESSURE SWITCH BYPASSED

INTERFACE PCB A, W1 JUMPER BLOCK DETAIL

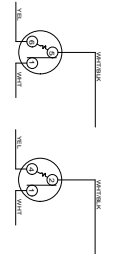
ALWAYS BLOCK SERVICE AND/OR W.C. TO INDICATE A PART COMPONENT IS
 A PART OF THE SYSTEM AND NOT A SERVICE PART.

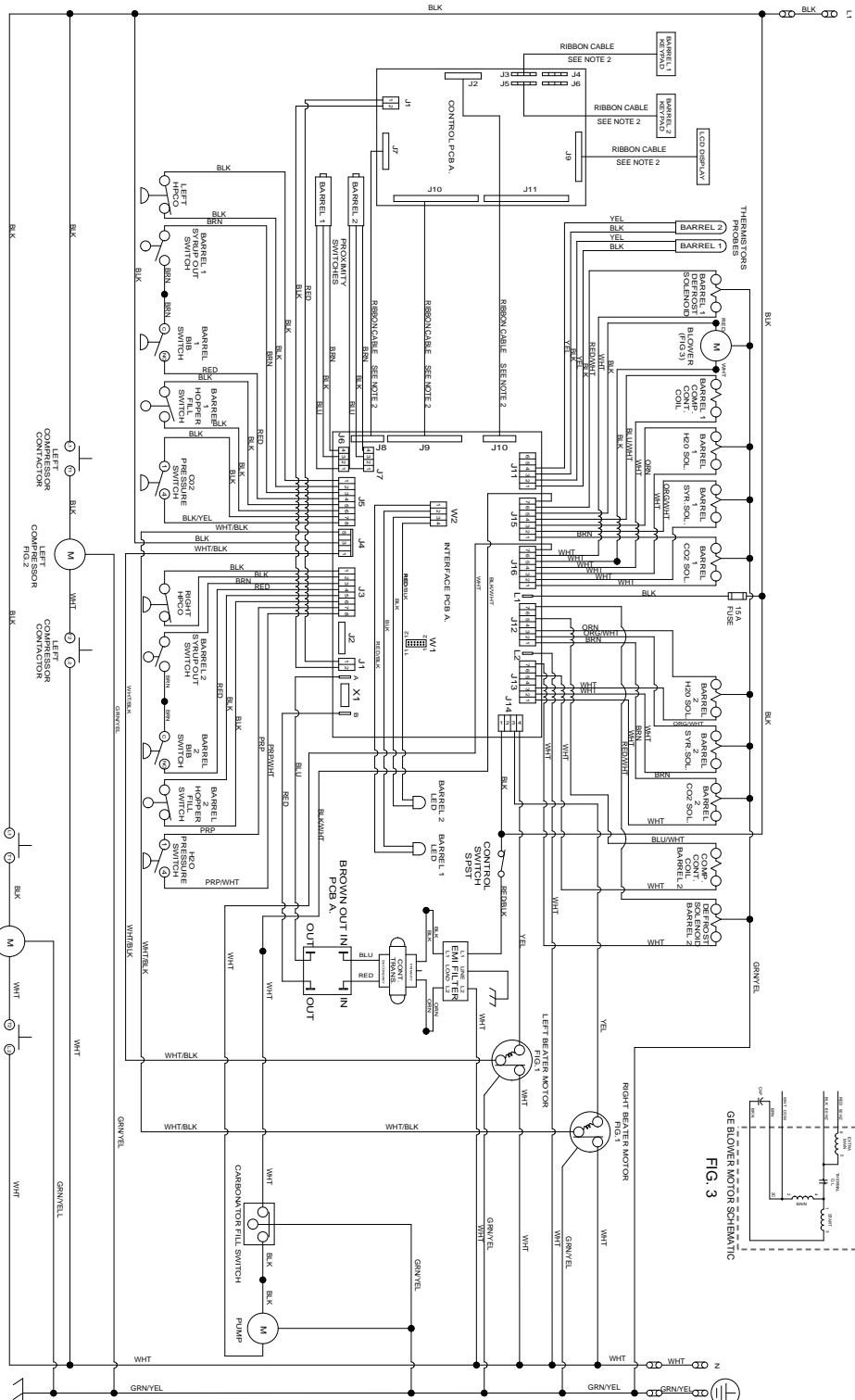
GROUND FRAME
 (Symbol)

NOTE:
 1. STAGGER ELECTRICAL WIRE COILS
 2. ELIMINATE STAGGER ELECTRICAL COMPONENTS
 3. ELIMINATE STAGGER ELECTRICAL BY TOUCHING
 4. COMPONENTS
 5. STRIPED WIRE ON RIBBON CABLES
 6. MUST BE CONNECTED TO P/N 1



MAGNATER-CENTURY
 BEATER MOTOR WIRING





- WT
- 1
 - 2
 - 3
 - 4
 - 5
 - 6
 - 7
 - 8
 - 9
 - 10
 - 11
 - 12

INTERFACE PCB A W/1 JUMPER BLOCK DETAIL

EMPTY (JUMPER USED FOR W.C. ONLY, SOFTWARE VER. 2.04)

EMPTY (JUMPER USED FOR W.C. ONLY, SOFTWARE VER. 2.04)

EMPTY - H2O PRESSURE SWITCH/ACTIVE/JUMPER - H2O PRESSURE SWITCH BY-PASSED

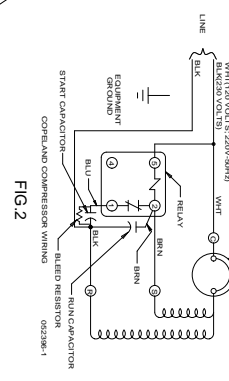
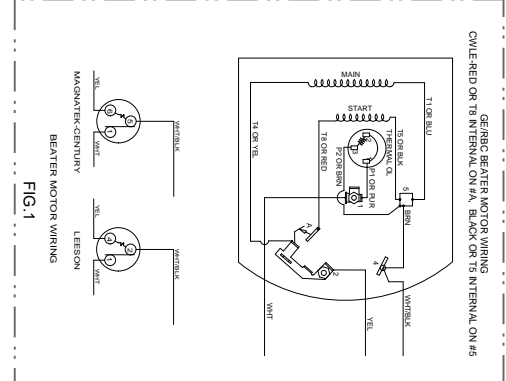
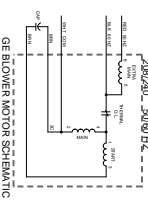
EMPTY - H2O PRESSURE SWITCH/ACTIVE/JUMPER - H2O PRESSURE SWITCH BY-PASSED

EMPTY - H2O PRESSURE SWITCH/ACTIVE/JUMPER - H2O PRESSURE SWITCH BY-PASSED

EMPTY - H2O PRESSURE SWITCH/ACTIVE/JUMPER - H2O PRESSURE SWITCH BY-PASSED

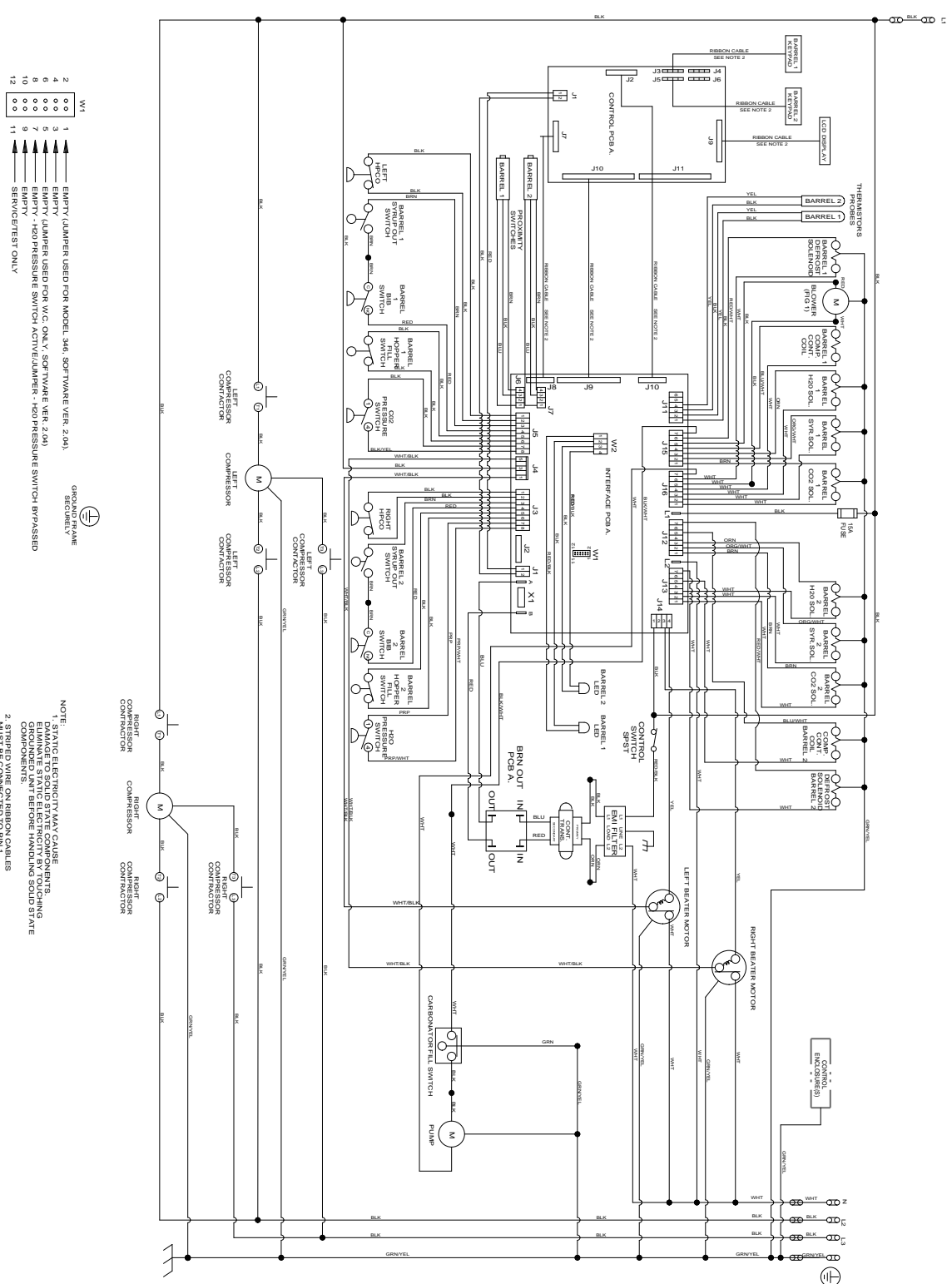
EMPTY - H2O PRESSURE SWITCH/ACTIVE/JUMPER - H2O PRESSURE SWITCH BY-PASSED

EMPTY - H2O PRESSURE SWITCH/ACTIVE/JUMPER - H2O PRESSURE SWITCH BY-PASSED



NOTE:

1. STATIC ELECTRICITY MAY CAUSE DAMAGE TO SOLID STATE COMPONENTS. ELIMINATE STATIC ELECTRICITY BY TOUCHING GROUNDING POINT BEFORE HANDLING SOLID STATE COMPONENTS.
2. STRIPPED WIRE ON RIBBON CABLES MUST BE CONNECTED TO PIN 1 AT EACH END.



- WI
- | | |
|----|-----|
| 2 | 0 0 |
| 4 | 0 0 |
| 6 | 0 0 |
| 8 | 0 0 |
| 10 | 0 0 |
| 12 | 0 0 |

- 1 → EMPTY JUMPER USED FOR MODEL 346, SOFTWARE VER. 2.00,
 2 → EMPTY JUMPER USED FOR W.C. ONLY, SOFTWARE VER. 2.00,
 3 → EMPTY - H20 PRESSURE SWITCH ACTIVE/JUMPER - H20 PRESSURE SWITCH BYPASSED
 4 → SERVICE/TEST ONLY

GROUND STRIKE
 (Symbol)

NOTE:
 1. STATIC ELECTRICITY MAY CAUSE DAMAGE TO SOLID STATE COMPONENTS. DISCHARGE STATIC BY TOUCHING GROUNDED UNIT BEFORE HANDLING SOLID STATE COMPONENTS.
 2. STRIPPED WIRES ON RIBBON CABLES ARE TO BE CONNECTED TO PMA 1 AT EACH END.

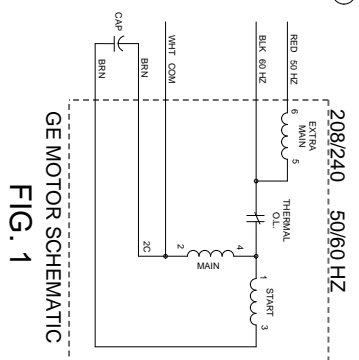
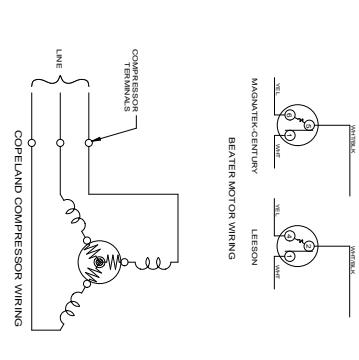
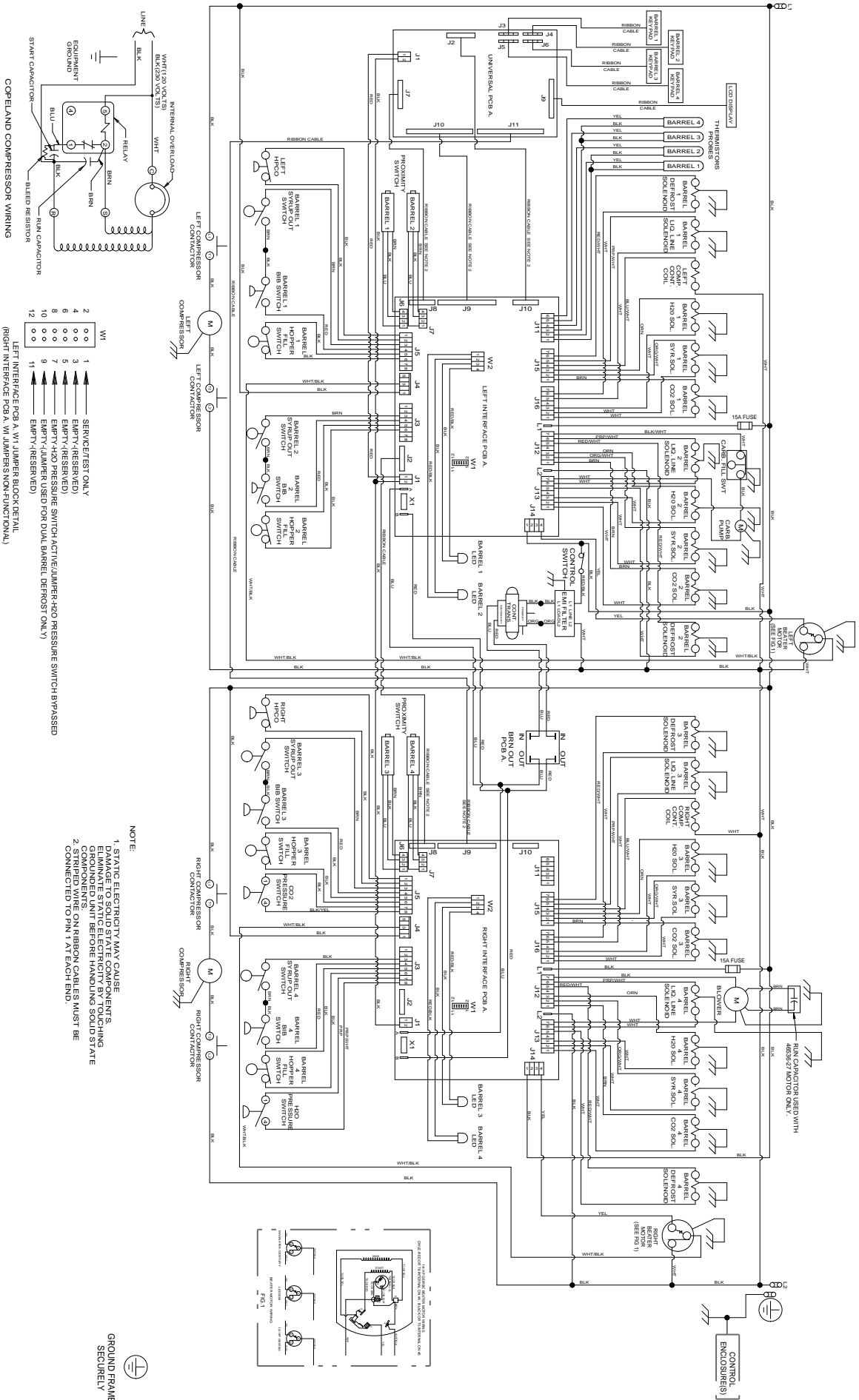
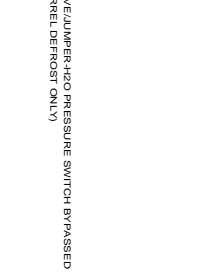
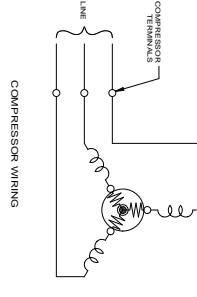
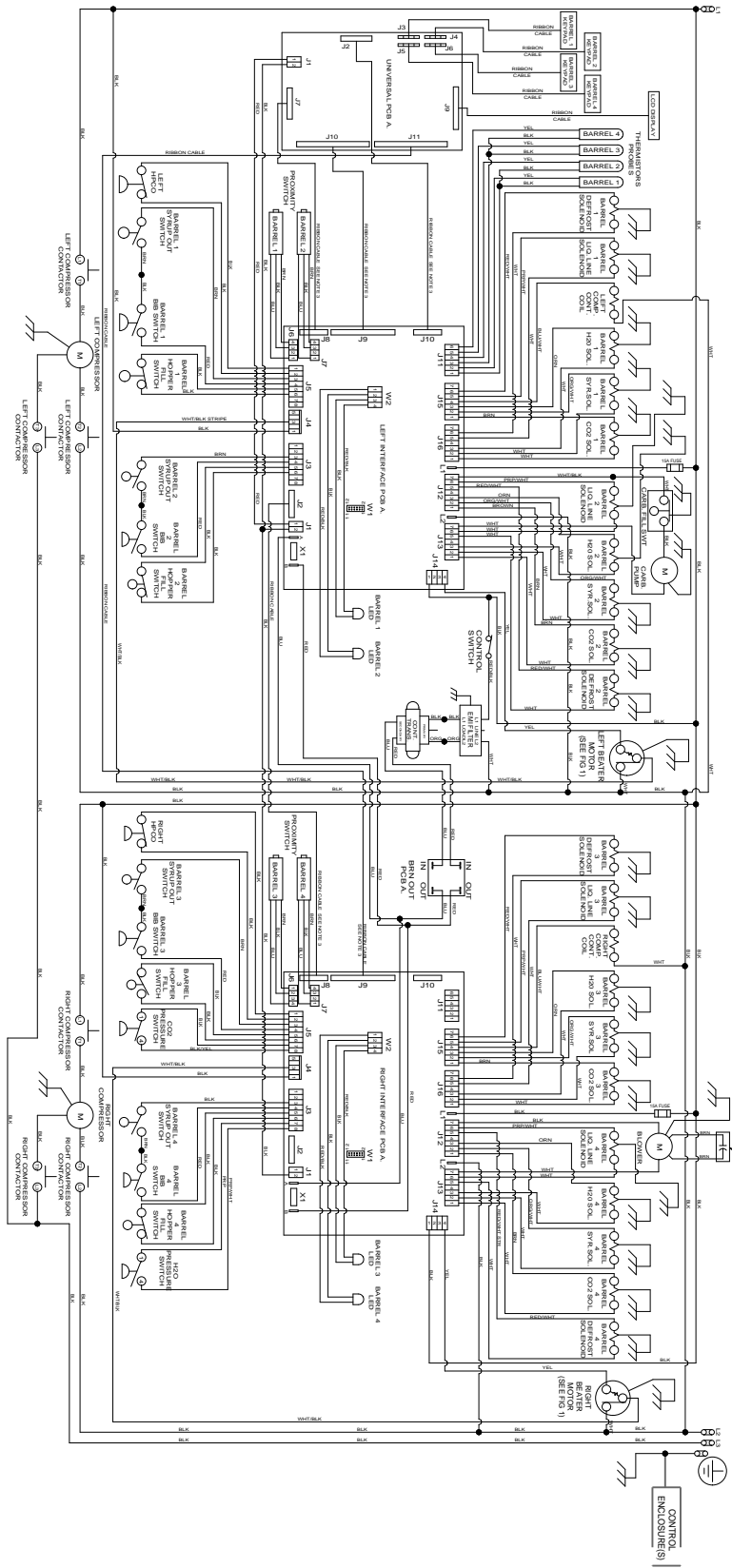


FIG. 1



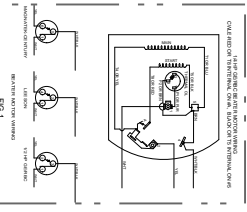


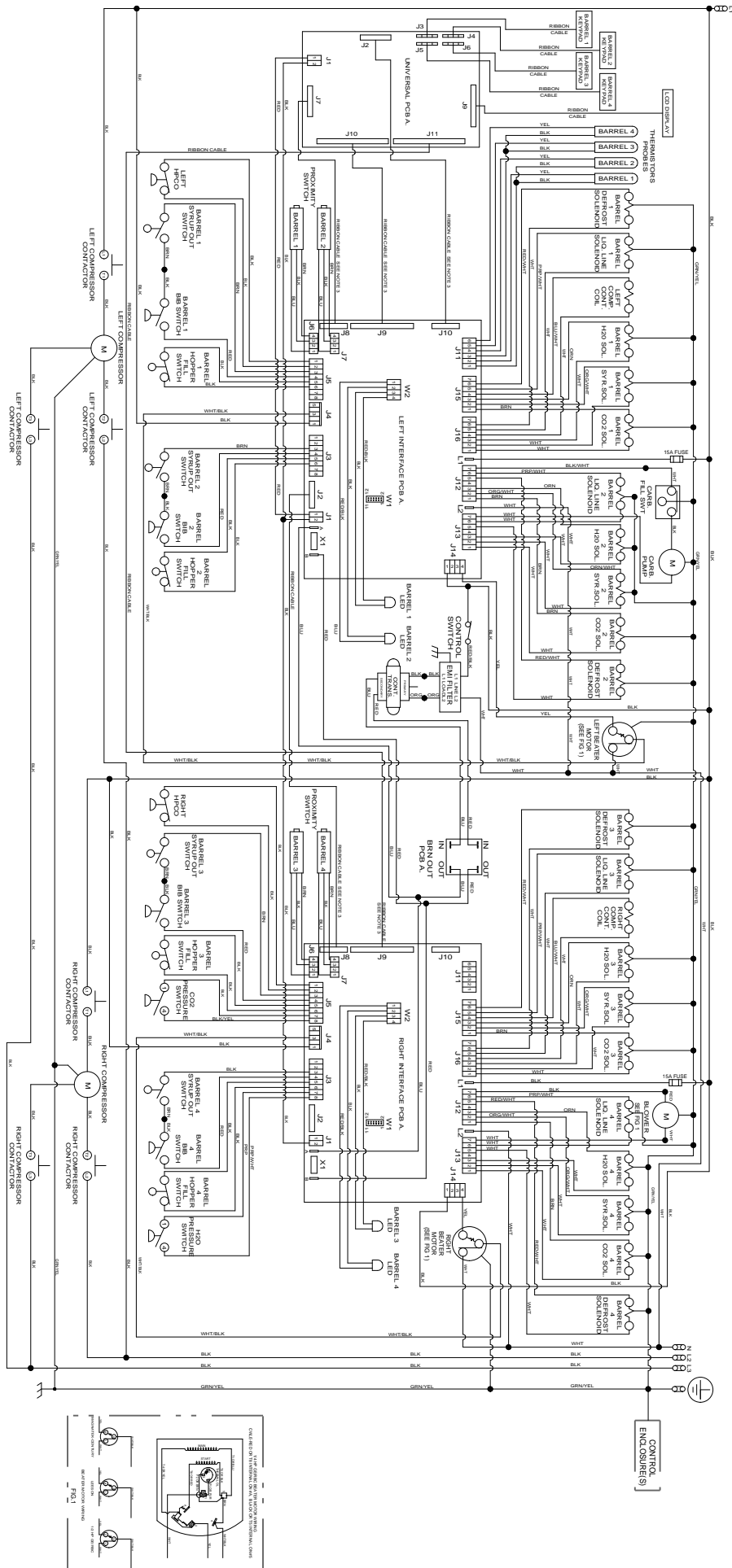


NOTE:

1. COMPRESSOR PROTECTED UNDER PRIMARY SINGLE PHASING CONDITIONS.
2. DAMAGE TO SOLID STATE COMPONENTS, DAMAGED STARTER ELECTRONIC BY TOUCHING COMPONENTS. BE SURE HANDLING SOLID STATE COMPONENTS. STRIPED WIRE ON RIBBON CABLES MUST BE CONNECTED TO PIN 1 AT EACH END.

GROUND FRAME SECURELY





- NOTE:
1. COMPRESSOR PROTECTED UNDER PRIMARY SINGLE PHASING CONDITIONS.
 2. DAMAGE TO SOLID STATE COMPONENTS, ELIMINATE STATIC ELECTRICITY BY TOUCHING GROUNDED UNIT BEFORE HANDLING SOLID STATE COMPONENTS.
 3. CONNECTED TO PINK 1 AT EACH END.

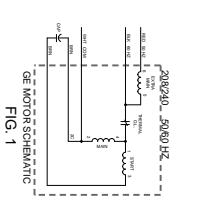
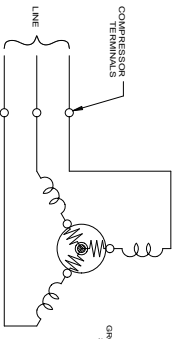


FIG. 1

W1	SERVICE/TEST ONLY
2	EMPTY-(RESERVED)
4	EMPTY-(RESERVED)
6	EMPTY-(RESERVED)
8	EMPTY-H2O PRESSURE SWITCH
10	EMPTY-(RESERVED)
12	EMPTY-(RESERVED)

LEFT INTERFACE PCB A, W1 JUMPER BLOCK DETAIL
RIGHT INTERFACE PCB A, JUMPERS NON-FUNCTIONAL

COMPRESSOR WIRING



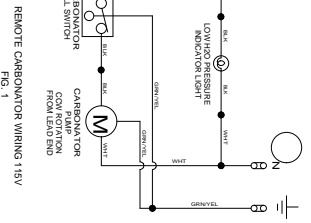
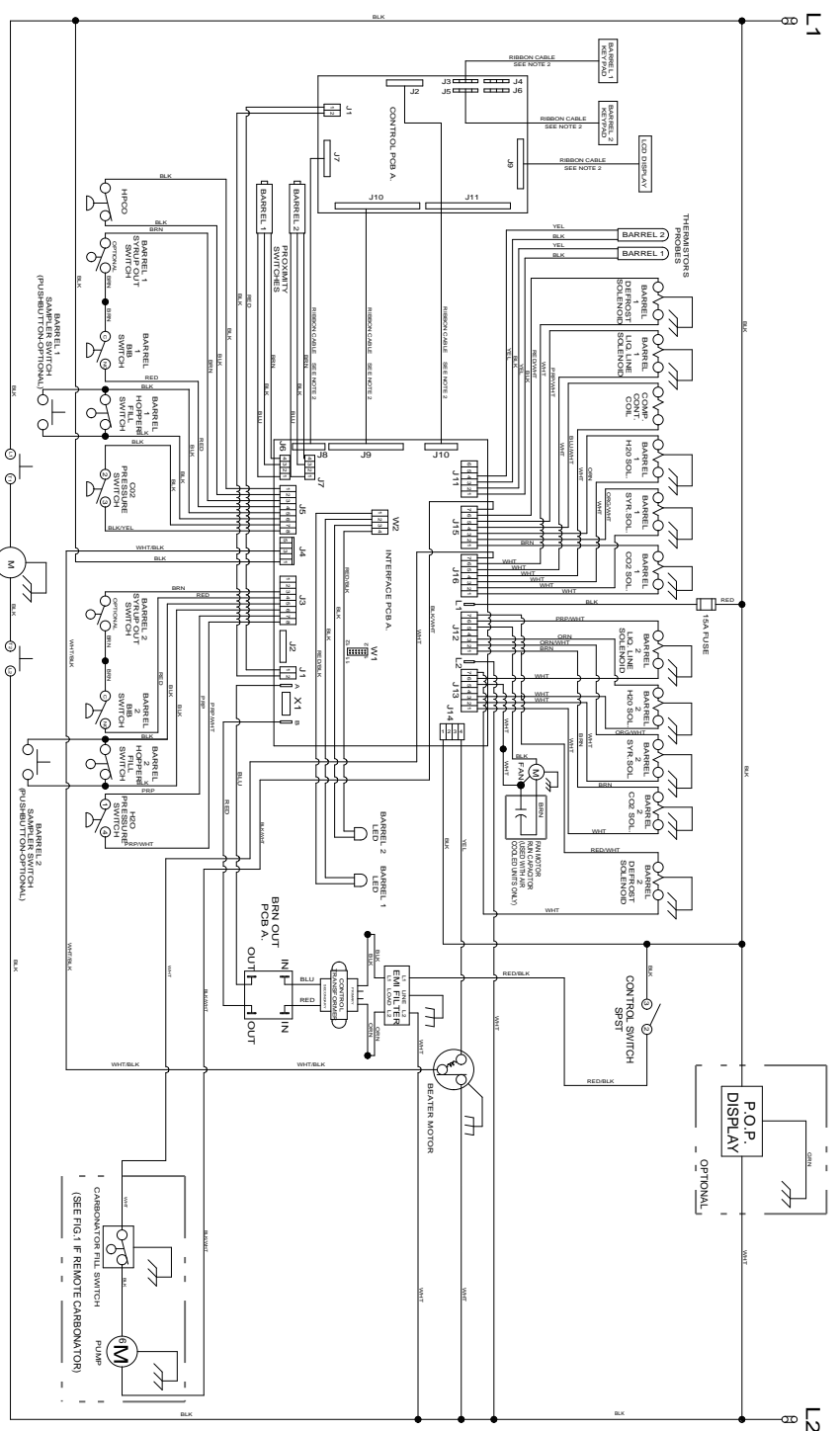
- 11
 - 10
 - 9
 - 8
 - 7
 - 6
 - 5
 - 4
 - 3
 - 2
 - 1
- WI

- 1
- 2
- 3
- 4
- 5
- 6
- 7
- 8
- 9
- 10
- 11

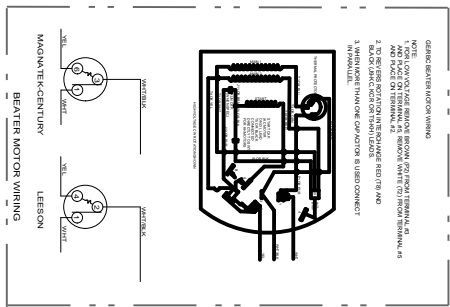
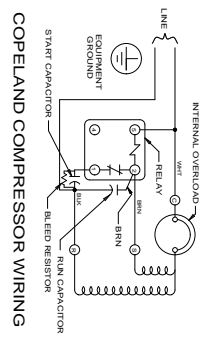
INTERFACE PCB A WI JUMPER BLOCK DETAIL
 JUMPER BLOCK SHOWN ABOVE IS NOT A PART OF THE UNIT AS SHOWN
 ASSEMBLY INSTRUCTIONS

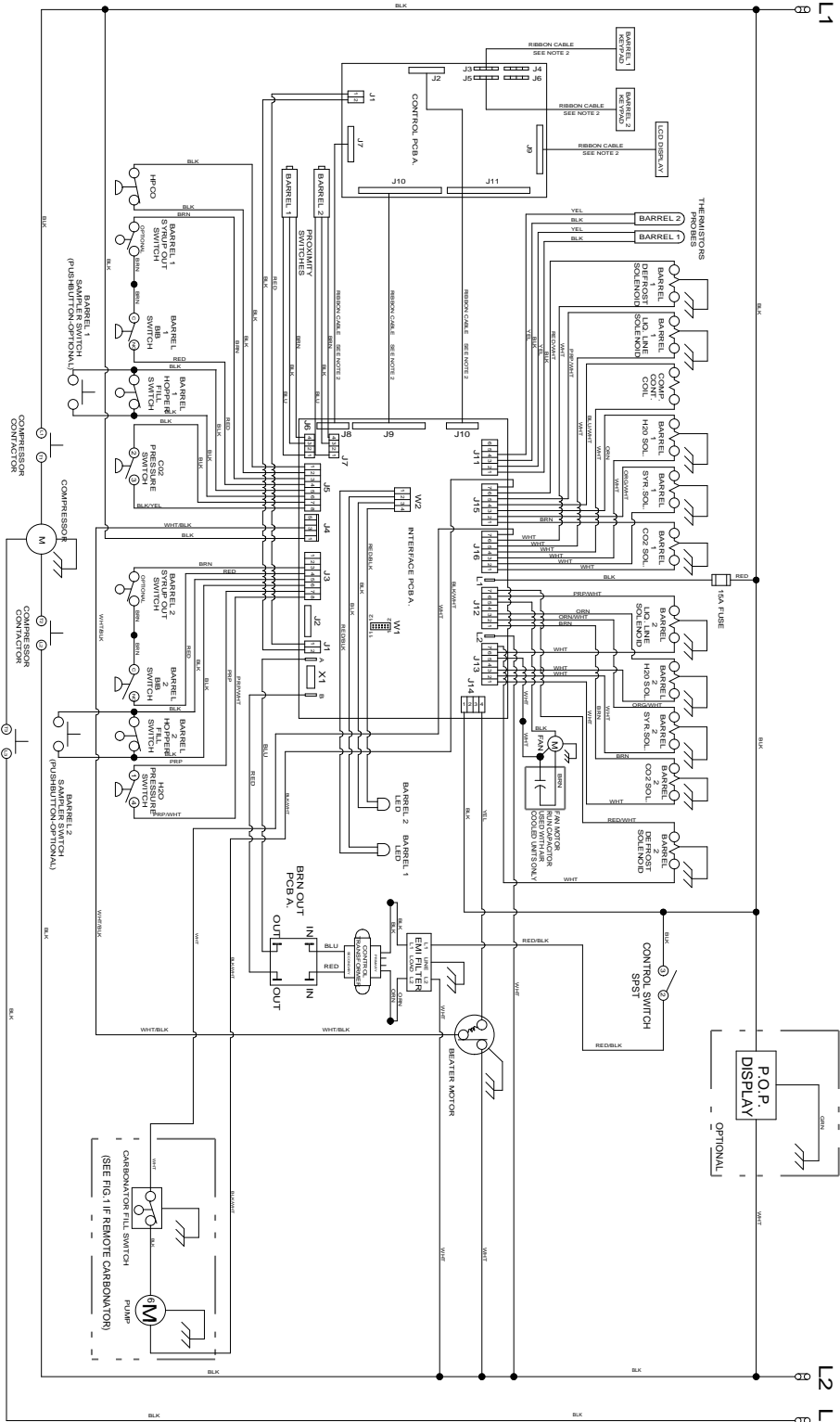
- 1
- 2
- 3
- 4
- 5
- 6
- 7
- 8
- 9
- 10
- 11

NOTE:
 1. STATIC ELECTRICITY MAY CAUSE DAMAGE TO SOLID STATE COMPONENTS. GROUND THE UNIT BEFORE TOUCHING COMPONENTS.
 2. STRIPPED WIRE ON RIBBON CABLES MUST BE CONNECTED TO PIN 1 AT EACH END.



REMOTE CARBONATOR WIRING (15V)
 FIG. 1





W1

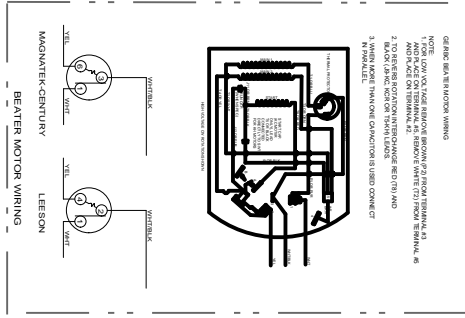
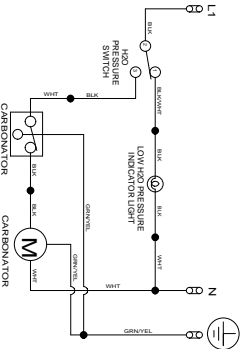
2	0 0	1	←	EMPTY
4	0 0	3	←	EMPTY
6	0 0	5	←	EMPTY
8	0 0	7	←	EMPTY
10	0 0	9	←	EMPTY
12	0 0	11	←	SERVICE/TEST ONLY

INTERFACE PCB A, W1 JUMPER BLOCK DETAIL
JUMPER BLOCK SHOWN ABOVE WOULD NEGATE ALL JUMPER CONFIGURED
AS A SERVICE/TEST AND COULD BE A SERVICE/TEST SWITCH ON

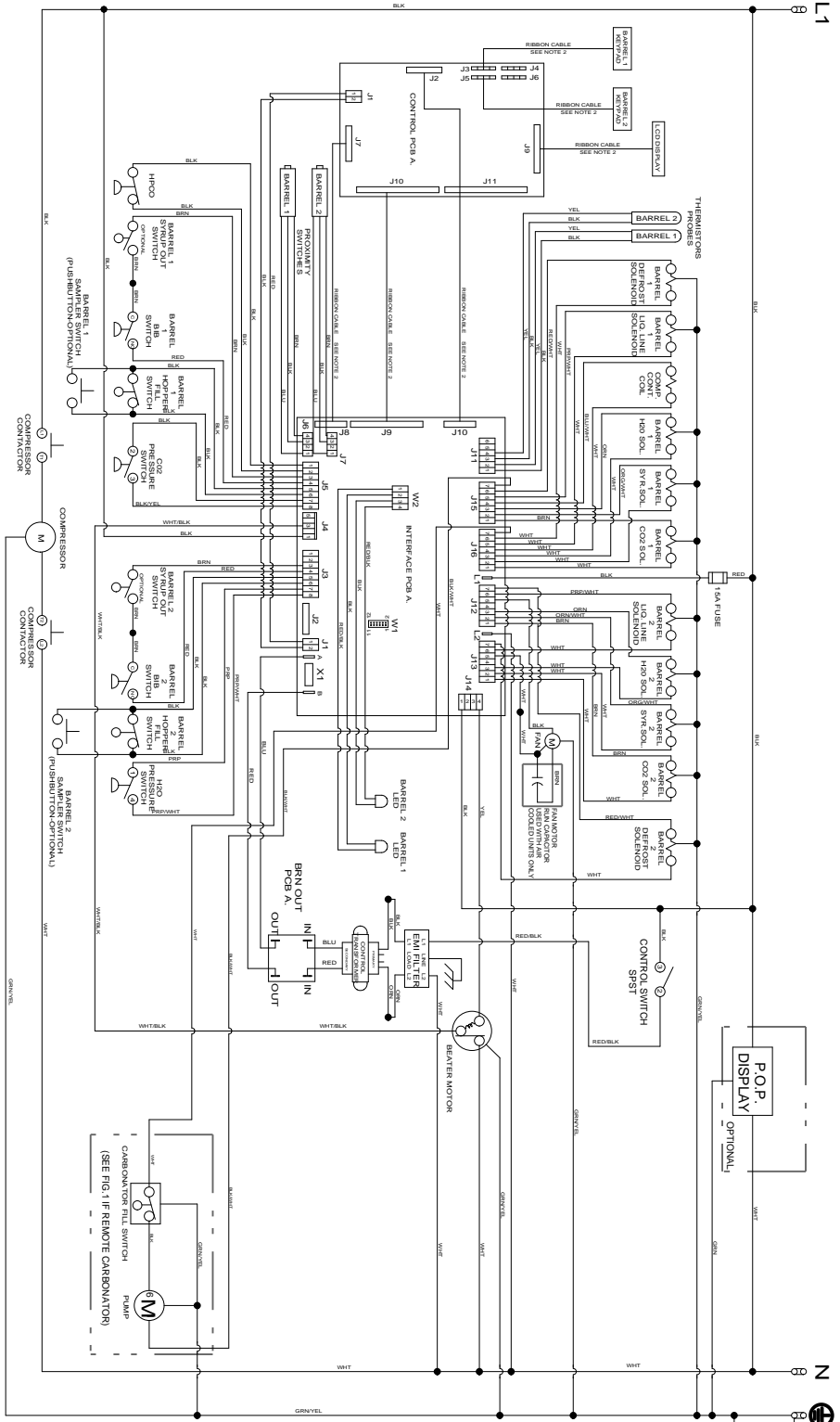
NOTE:
1. STATIC ELECTRICITY MAY CAUSE
ELECTRONIC COMPONENTS.
ELIMINATE STATIC ELECTRICITY BY TOUCHING
GROUNDED DUNT BEFORE HANDLING SOLID STATE
COMPONENTS.
2. STRIPED WIRE ON RIBBON CABLES
AT EACH END.

GROUND FRAME
SECURELY

REMOTE CARBONATOR WIRING
FIG. 1



GROUND BEATER MOTOR WIRING
NOTE: 1. ON THE END OF THE BEATER MOTOR FROM TERMINAL 41
AND PLACE ON TERMINAL 42. 2. BEATER MOTOR FROM TERMINAL 41
AND PLACE ON TERMINAL 42. 3. BEATER MOTOR FROM TERMINAL 41
AND PLACE ON TERMINAL 42. 4. BEATER MOTOR FROM TERMINAL 41
AND PLACE ON TERMINAL 42. 5. BEATER MOTOR FROM TERMINAL 41
AND PLACE ON TERMINAL 42. 6. BEATER MOTOR FROM TERMINAL 41
AND PLACE ON TERMINAL 42. 7. BEATER MOTOR FROM TERMINAL 41
AND PLACE ON TERMINAL 42. 8. BEATER MOTOR FROM TERMINAL 41
AND PLACE ON TERMINAL 42. 9. BEATER MOTOR FROM TERMINAL 41
AND PLACE ON TERMINAL 42. 10. BEATER MOTOR FROM TERMINAL 41
AND PLACE ON TERMINAL 42. 11. BEATER MOTOR FROM TERMINAL 41
AND PLACE ON TERMINAL 42. 12. BEATER MOTOR FROM TERMINAL 41
AND PLACE ON TERMINAL 42.



WI1

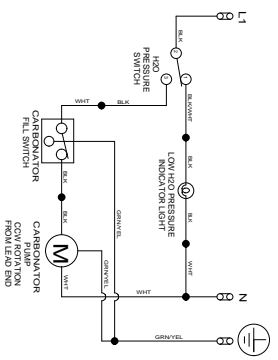
0.0	1	EMPTY
0.0	2	EMPTY
0.0	3	EMPTY
0.0	4	EMPTY
0.0	5	EMPTY
0.0	6	EMPTY
0.0	7	EMPTY
0.0	8	EMPTY
0.0	9	EMPTY
0.0	10	EMPTY
0.0	11	SERVICE/REST ONLY

INTERFACE PCB A, WI JUMPER BLOCK DETAIL
 JUMPER BLOCK SHOWN ABOVE, WOULD BE INSTALLED AT UNIT CONFIGURED AS A SERVICE/REST ONLY, AND COULD BE USED FOR PRESSURE SWITCH.

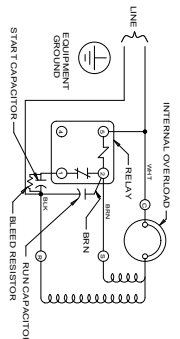
NOTE:
 1. STATIC ELECTRICITY MAY CAUSE COMPONENTS TO FAIL. ELIMINATE STATIC ELECTRICITY BY TOUCHING GROUNDED UNIT BEFORE HANDLING SENSITIVE COMPONENTS.
 2. STRIPED WIRE ON RIBBON CABLES ARE CONNECTED TO PIN 1 AT EACH END.



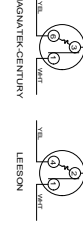
FIG. 1

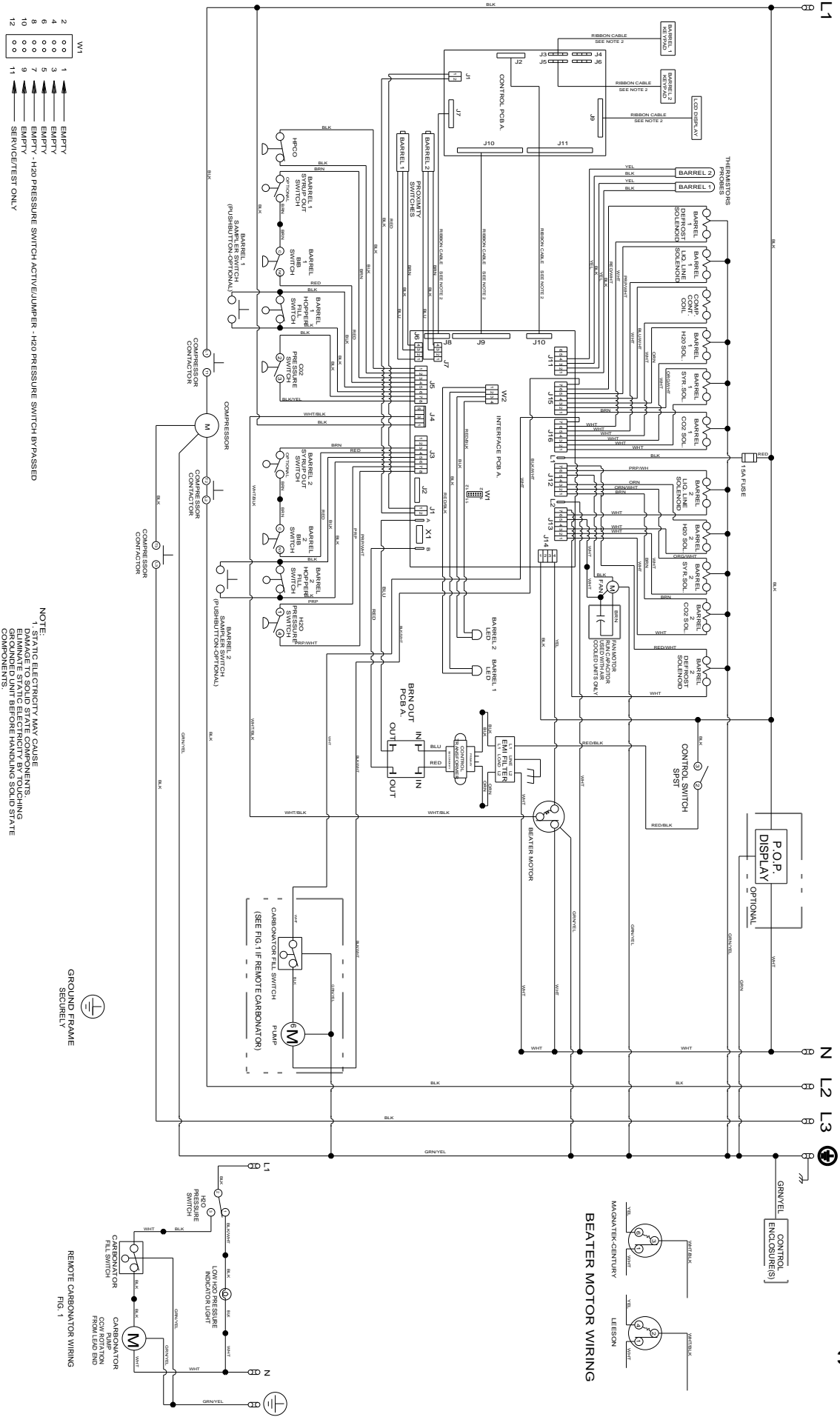


COPELAND COMPRESSOR WIRING



BEATER MOTOR WIRING





2	0 0	1	←	EMPTY
4	0 0	3	←	EMPTY
6	0 0	5	←	EMPTY
8	0 0	7	←	EMPTY - H2O PRESSURE SWITCH ACTIVE/JUMPER - H2O PRESSURE SWITCH BYPASSED
10	0 0	9	←	EMPTY
12	0 0	11	←	SERVICETEST ONLY

INTERFACE PCB A W1 JUMPER BLOCK DETAIL
 JUMPER BLOCK SHOWN ABOVE WOULD PREVENT A UNIT CONFIGURED
 AS A SERVICE UNIT FROM BEING SERVICED

NOTE:
 1. STATIC ELECTRICITY MAY CAUSE
 DAMAGE TO THE UNIT. TO PREVENT
 THIS, DISCHARGE THE UNIT BY
 ELIMINATING STATIC ELECTRICITY BY TOUCHING
 GROUNDING POINT BEFORE HANDLING SOLID STATE
 COMPONENTS.
 2. STRIPPED WIRES ON RIBBON CABLES
 MUST BE INSULATED AT EACH END.

GROUND FRAME
 SECURELY

REMOTE CARBONATOR WIRING
 FIG. 1