

OPERATOR'S MANUAL



Model 5454 Shake Freezer

Original Operating Instructions

028765- M

**10/99 (Original Publication)
(Updated 12/12/13)**

Complete this page for quick reference when service is required:

Taylor Distributor: _____

Address: _____

Phone: _____

Service: _____

Parts: _____

Date of Installation: _____

Information found on data plate:

Model Number: _____

Serial Number: _____

Electrical Specs: Voltage _____ Cycle _____

Phase _____

Maximum Fuse Size: _____ Amps

Minimum Wire Ampacity: _____ Amps

Part Number: _____

© 1999 Carrier Commercial Refrigeration, Inc.

028765- M

Any unauthorized reproduction, disclosure, or distribution of copies by any person of any portion of this work may be a violation of Copyright Law of the United States of America and other countries, could result in the awarding of Statutory Damages of up to \$250,000 (17 USC 504) for infringement, and may result in further civil and criminal penalties.

All rights reserved.



Taylor Company
a division of Carrier Commercial Refrigeration, Inc.
750 N. Blackhawk Blvd.
Rockton, IL 61072

Table of Contents

Section 1	To the Installer	1
	Water Connections (Water Cooled Units Only)	2
	Electrical Connections	2
Section 2	To the Operator	4
Section 3	Safety	5
Section 4	Operator Parts Identification	7
	Exploded View	7
	Beater Door Assembly	9
	Pump Assembly	10
	Syrup Tank	11
	Accessories	12
Section 5	Important: To the Operator	13
	Symbol Definitions	14
	Power Switch	14
	Reset Mechanism	14
	Indicator Lights - Mix Low and Mix Out	14
	Mix	14
	Wash	14
	Auto	15
	Pump	15
	Thermistor Control	15
	Liquid Valve Body Removal Tool	15
	Syrup Line Fitting With “Clean- Out” Feature	16
Section 6	Operating Procedures	17
	Freezing Cylinder Assembly	17
	Air/Mix Pump Assembly	21
	Sanitizing	25
	Priming	27
	Syrup System	28
	Closing Procedures	32
	Draining Product From the Freezing Cylinder	32
	Rinsing	32
	Cleaning	32

Disassembly	33
Brush Cleaning	33
Sanitizing the Syrup System	34
Section 7 Important: Operator Checklist	36
During Cleaning and Sanitizing	36
Troubleshooting Bacterial Count	36
Regular Maintenance Checks	36
The Air/Mix Pump Checklist	37
Winter Storage	37
Section 8 Troubleshooting Guide	38
Section 9 Parts Replacement Schedule	44
Section 10 Limited Warranty on Equipment	45
Section 11 Limited Warranty on Parts	47
Section 10 Parts List	50
Wiring Diagrams	63

Note: Continuing research results in steady improvements; therefore, information in this manual is subject to change without notice.

Note: Only instructions originating from the factory or its authorized translation representative(s) are considered to be the original set of instructions.

© 1999 Carrier Commercial Refrigeration, Inc.

(Updated December, 2013)

028765- M

Any unauthorized reproduction, disclosure, or distribution of copies by any person of any portion of this work may be a violation of Copyright Law of the United States of America and other countries, could result in the awarding of Statutory Damages of up to \$250,000 (17 USC 504) for infringement, and may result in further civil and criminal penalties.

All rights reserved.



Taylor Company
a division of Carrier Commercial Refrigeration, Inc.
750 N. Blackhawk Blvd.
Rockton, IL 61072

Section 1

To the Installer

The following information has been included in the manual as safety and regulatory guidelines. For complete installation instructions, please see the Installation Checklist.

Installer Safety



In all areas of the world, equipment should be installed in accordance with existing local codes. Please contact your local authorities if you have any questions.

Care should be taken to ensure that all basic safety practices are followed during the installation and servicing activities related to the installation and service of Taylor® equipment.

- Only authorized Taylor service personnel should perform installation, maintenance, and repairs on Taylor equipment.
- Authorized service personnel should consult OSHA Standard 29CFR1910.147 or the applicable code of the local area for the industry standards on lockout/tagout procedures before beginning any installation or repairs.
- Authorized service personnel must ensure that the proper protective equipment (PPE) is available and worn when required during installation and service.
- Authorized service personnel must remove all metal jewelry, rings, and watches before working on electrical equipment.



The main power supply(s) to the unit must be disconnected prior to performing any installation, maintenance, or repairs. Failure to follow this instruction may result in personal injury or death from electrical shock or hazardous moving parts as well as poor performance or damage to the unit.



This unit has many sharp edges that can cause severe injuries.

Site Preparation

Review the area where the unit will be installed. Make sure that all possible hazards to the installer, user, and the unit have been addressed.

For Indoor Use Only: This unit is designed to operate indoors, under normal ambient temperatures of 70°-75°F (21°-24°C). The unit has successfully performed in high ambient temperatures of up to 104°F (40°C) at reduced capacities.



This unit must **NOT** be installed in an area where a water jet or hose can be used. **NEVER** use a water jet or hose to rinse or clean the unit. Failure to follow this instruction may result in electrocution.



This unit must be installed on a level surface to avoid the hazard of tipping. Extreme care should be taken in moving this unit for any reason. Two or more persons are required to safely move this unit. Failure to comply may result in personal injury or damage to the unit.

The authorized installer should inspect the unit for damage and promptly report any damage to the local authorized Taylor distributor.

This unit is made using USA sizes of hardware. All metric conversions are approximate and vary in size.

Air Cooled Units

DO NOT obstruct air intake and discharge openings:

Air cooled units require a minimum of 3" (76 mm) of clearance around **all** sides of the freezer and 12" (305 mm) of clearance on top, to allow for adequate air flow across the condensers. Failure to allow adequate clearance can reduce the refrigeration capacity of the freezer and possibly cause permanent damage to the compressor.

Water Connections

(Water Cooled Units Only)

An adequate cold water supply must be provided with a hand shut-off valve. On the underside rear of the unit, two 3/8" I.P.S. water connections for inlet and outlet have been provided for easy hook-up. 1/2" inside diameter water lines should be connected to the machine. (Flexible lines are recommended, if local codes permit.) Depending on local water conditions, it may be advisable to install a water strainer to prevent foreign substances from clogging the automatic water valve. There will be only one water "in" and one water "out" connection. DO NOT install a hand shut-off valve on the water "out" line! Water should always flow in this order: first, through the automatic water valve; second, through the condenser; and third, through the outlet fitting to an **open trap drain**.



A back flow prevention device is required on the incoming water connection side. Please refer to the applicable National, State, and local codes for determining the proper configuration.

Electrical Connections

In the United States, this equipment is intended to be installed in accordance with the National Electrical Code (NEC), ANSI/NFPA 70-1987. The purpose of the NEC code is the practical safeguarding of persons and property from hazards arising from the use of electricity. This code contains provisions considered necessary for safety. In all other areas of the world, equipment should be installed in accordance with the existing local codes. Please contact your local authorities.



FOLLOW YOUR LOCAL ELECTRICAL CODES!

Each freezer requires one power supply for each data label. Check the data labels on the freezer for branch circuit overcurrent protection or fuse, wire ampacity and electrical specifications. Refer to the wiring diagram provided inside of the control box, for proper power connections.



CAUTION: THIS EQUIPMENT MUST BE PROPERLY GROUNDED! FAILURE TO DO SO CAN RESULT IN SEVERE PERSONAL INJURY FROM ELECTRICAL SHOCK!



This unit is provided with an equipotential grounding lug that is to be properly attached to the rear of the frame by the authorized installer. The installation location is marked by the equipotential bonding symbol (5021 of IEC 60417-1) on both the removable panel and the equipment's frame.



- Stationary appliances which are not equipped with a power cord and a plug or another device to disconnect the appliance from the power source must have an all-pole disconnecting device with a contact gap of at least 3 mm installed in the external installation.
- Appliances that are permanently connected to fixed wiring and for which leakage currents may exceed 10 mA, particularly when disconnected or not used for long periods, or during initial installation, shall have protective devices such as a GFI, to protect against the leakage of current, installed by the authorized personnel to the local codes.
- Supply cords used with this unit shall be oil-resistant, sheathed flexible cable not lighter than ordinary polychloroprene or other equivalent synthetic elastomer-sheathed cord (Code designation 60245 IEC 57) installed with the proper cord anchorage to relieve conductors from strain, including twisting, at the terminals and protect the insulation of the conductors from abrasion.

If the supply cord is damaged, it must be replaced by an authorized Taylor service technician in order to avoid a hazard.

Beater Rotation



Beater rotation must be clockwise as viewed looking into the freezing cylinder.



Note: To prevent personal injury and damage to the equipment, the following procedures must be performed by an authorized Taylor service technician.

Correct rotation on a three-phase unit by interchanging any two incoming power supply lines at the freezer main terminal block only.

Correct rotation on a single-phase unit by changing the leads inside the beater motor. (Follow the diagram printed on the motor.)

Electrical connections are made directly to the terminal block. The terminal block is provided in the splice boxes located behind the left and right side panels.

Refrigerant



In consideration of our environment, Taylor uses only HFC refrigerants. The HFC refrigerant used in this unit is R404A. This refrigerant is generally considered non-toxic and non-flammable, with an Ozone Depleting Potential (ODP) of zero (0).

However, any gas under pressure is potentially hazardous and must be handled with caution.

NEVER fill any refrigerant cylinder completely with liquid. Filling the cylinder to approximately 80% will allow for normal expansion.



Use only R404A refrigerant that conforms to the AHRI standard 700 specification. The use of any other refrigerant may expose users and operators to unexpected safety hazards.



Refrigerant liquid sprayed onto the skin may cause serious damage to tissue. Keep eyes and skin protected. If refrigerant burns should occur, flush immediately with cold water. If burns are severe, apply ice packs and contact a physician immediately.



Taylor reminds technicians to be aware of and in compliance with local government laws regarding refrigerant recovery, recycling, and reclaiming systems. For information regarding applicable local laws, please contact your local authorized Taylor distributor.



WARNING: R404A refrigerants used in conjunction with polyolester oils are extremely moisture absorbent. When opening a refrigeration system, the maximum time the system is open must not exceed 15 minutes. Cap all open tubing to prevent humid air or water from being absorbed by the oil.

Section 2

To the Operator

The freezer you have purchased has been carefully engineered and manufactured to give you dependable operation. The Taylor Model 5454, when properly operated and cared for, will produce a consistent quality product. Like all mechanical products, this machine will require cleaning and maintenance. A minimum amount of care and attention is necessary if the operating procedures outlined in this manual are followed closely.

This Operator's Manual should be read before operating or performing any maintenance on your equipment.

Your Model 5454 will NOT eventually compensate and correct for any errors during the set-up or filling operations. Thus, the initial assembly and priming procedures are of extreme importance. It is strongly recommended that personnel responsible for the equipment's operation, both assembly and disassembly, go through these procedures in order to be properly trained and to make sure that no misunderstandings exist.

In the event you should require technical assistance, please contact your local authorized Taylor Distributor.

Note: Your Taylor warranty is valid only if the parts are authorized Taylor parts, purchased from the local authorized Taylor Distributor, and only if all required service work is provided by an authorized Taylor service technician. Taylor reserves the right to deny warranty claims on units or parts if non-Taylor approved parts or incorrect refrigerant were installed in the unit, system modifications were performed beyond factory recommendations, or it is determined that the failure was caused by abuse, misuse, neglect, or failure to follow all operating instructions. For full details of your Taylor Warranty, please see the Limited Warranty section in this manual.

Note: Constant research results in steady improvements; therefore, information in this manual is subject to change without notice.



If the crossed out wheeled bin symbol is affixed to this product, it signifies that this product is compliant with the EU Directive as well as other similar legislation in effect after August 13, 2005. Therefore, it must be collected separately after its use is completed, and cannot be disposed as unsorted municipal waste. The user is responsible for returning

the product to the appropriate collection facility, as specified by your local code.

For additional information regarding applicable local laws, please contact the municipal facility and/or local distributor.

Compressor Warranty Disclaimer

The refrigeration compressor(s) on this unit are warranted for the term stated in the Limited Warranty section in this manual. However, due to the Montreal Protocol and the U.S. Clean Air Act Amendments of 1990, many new refrigerants are being tested and developed, thus seeking their way into the service industry. Some of these new refrigerants are being advertised as drop-in replacements for numerous applications. It should be noted that in the event of ordinary service to this unit's refrigeration system, **only the refrigerant specified on the affixed data label should be used.** The unauthorized use of alternate refrigerants will void your Taylor compressor warranty. It is the unit owner's responsibility to make this fact known to any technician he employs.

It should also be noted that Taylor does not warrant the refrigerant used in its equipment. For example, if the refrigerant is lost during the course of ordinary service to this unit, Taylor has no obligation to either supply or provide replacement refrigerant either at billable or unbillable terms. Taylor will recommend a suitable replacement if the original refrigerant is banned, obsoleted, or no longer available during the five (5) year Taylor warranty of the compressor.

From time-to-time Taylor may test new refrigerant alternates. Should a new refrigerant alternate prove, through Taylor's testing, that it would be accepted as a drop-in replacement for this unit, then the disclaimer in this "Compressor Warranty Disclaimer" section will not apply to the use of the alternate refrigerant approved by Taylor.

To find out the current status of an alternate refrigerant as it relates to your compressor warranty, call Taylor or your local authorized Taylor distributor. Be prepared to provide the Model/Serial Number of the unit in question.

Note: Continuing research results in steady improvements; therefore, information in this Operator Manual is subject to change without notice.

We, at Taylor Company, are concerned about the safety of the operator at all times when they are coming in contact with the unit and its parts. Taylor makes every effort to design and manufacture built-in safety features to protect both operators and service technicians.

Installing and servicing refrigeration equipment can be hazardous due to system pressure and electrical components. Only trained and qualified service personnel should install, repair, or service refrigeration equipment. When working on refrigeration equipment, observe precautions noted in the literature, tags and labels attached to the unit, and other safety precautions that may apply. Follow all safety code requirements. Wear safety glasses and work gloves.



IMPORTANT - Failure to adhere to the following safety precautions may result in severe personal injury or death. Failure to comply with these warnings may also damage the unit and/or its components. Such damage may result in component replacement and service repair expenses.



DO NOT operate the unit without reading this entire Operator Manual first. Failure to follow all of these operating instructions may result in damage to the unit, poor performance, health hazards, personal injury, or death.



This unit is to be used only by trained personnel. It is not intended for use by children or people with reduced physical, sensory, or mental capabilities, or lack of experience and knowledge. Where limited equipment operation is allowed for public use, such as a self-serve application, supervision or instruction concerning the use of the appliance by a person responsible for their safety is required. Children should be supervised to ensure that they do not play with the appliance.



- All repairs should be performed by an authorized Taylor service technician.
- The main power supplies to the unit must be disconnected prior to performing installation, repairs, or maintenance.
- **DO NOT** operate the unit unless it is properly grounded.
- **DO NOT** operate the unit with larger fuses than specified on the unit's data label.
- Units that are permanently connected to fixed wiring and for which leakage currents may exceed 10 mA, particularly when disconnected or not used for long periods, or during initial installation, shall have protective devices such as a GFI, to protect against the leakage of current, installed by the authorized personnel to the local codes.
- Stationary units which are not equipped with a power cord and a plug or another device to disconnect the appliance from the power source must have an all-pole disconnecting device with a contact gap of at least 3 mm installed in the external installation.
- Supply cords used with this unit shall be oil-resistant, sheathed flexible cable not lighter than ordinary polychloroprene or other equivalent synthetic elastomer-sheathed cord (Code designation 60245 IEC 57) installed with the proper cord anchorage to relieve conductors from strain, including twisting, at the terminals and protect the insulation of the conductors from abrasion.

If the supply cord is damaged, it must be replaced by an authorized Taylor service technician in order to avoid a hazard.

Failure to follow these instructions may result in electrocution. Contact your local authorized Taylor Distributor for service.



An equipotential grounding lug is provided with this unit. Some countries require the grounding lug be properly attached to the rear of the frame by the authorized installer. The installation location is marked

by the equipotential bonding symbol (5021 of IEC 60417-1) on both the removable panel and the unit's frame.



DO NOT use a water jet to clean or rinse the unit. Failure to follow these instructions may result in serious electrical shock.



- **DO NOT** allow untrained personnel to operate this unit.
- **DO NOT** operate the unit unless all service panels and access doors are restrained with screws.
- **DO NOT** remove any internal operating parts (including, but not limited to, freezer door, beater, or scraper blades), unless all control switches are in the OFF position.

Failure to follow these instructions may result in severe personal injury, especially to fingers or hands, from hazardous moving parts.



This unit has many sharp edges that can cause severe injuries.

- **DO NOT** put objects or fingers in the door spout. This may contaminate the product and cause severe personal injury from blade contact.
- **USE EXTREME CAUTION** when removing the beater assembly. The scraper blades are very sharp.



This unit must be placed on a level surface. Extreme care should be taken when moving the unit for any reason. Two or more persons are required to safely move this unit. Failure to comply may result in personal injury or damage to the unit.



Access to the service area of the unit must be restricted to persons having knowledge and practical experience with the unit, in particular as far as safety and hygiene are concerned.



Cleaning and sanitizing schedules are governed by your state or local regulatory agencies and must be followed accordingly. Please refer to the cleaning section of this Operator Manual for the proper procedure to clean this unit.



This unit is designed to maintain product temperature under 41°F (5°C). Any product being added to this unit must be below 41°F (5°C). Failure to follow this instruction may result in health hazards and poor freezer performance.

DO NOT obstruct air intake and discharge openings: 3" (76 mm) minimum air space around all sides, and 12" (305 mm) on top. Failure to follow this instruction may cause poor freezer performance and damage to the machine.

For Indoor Use Only: This unit is designed to operate indoors, under normal ambient temperatures of 70°-75°F (21°-24°C). The unit has successfully performed in high ambient temperatures of up to 104°F (40°C) at reduced capacities.

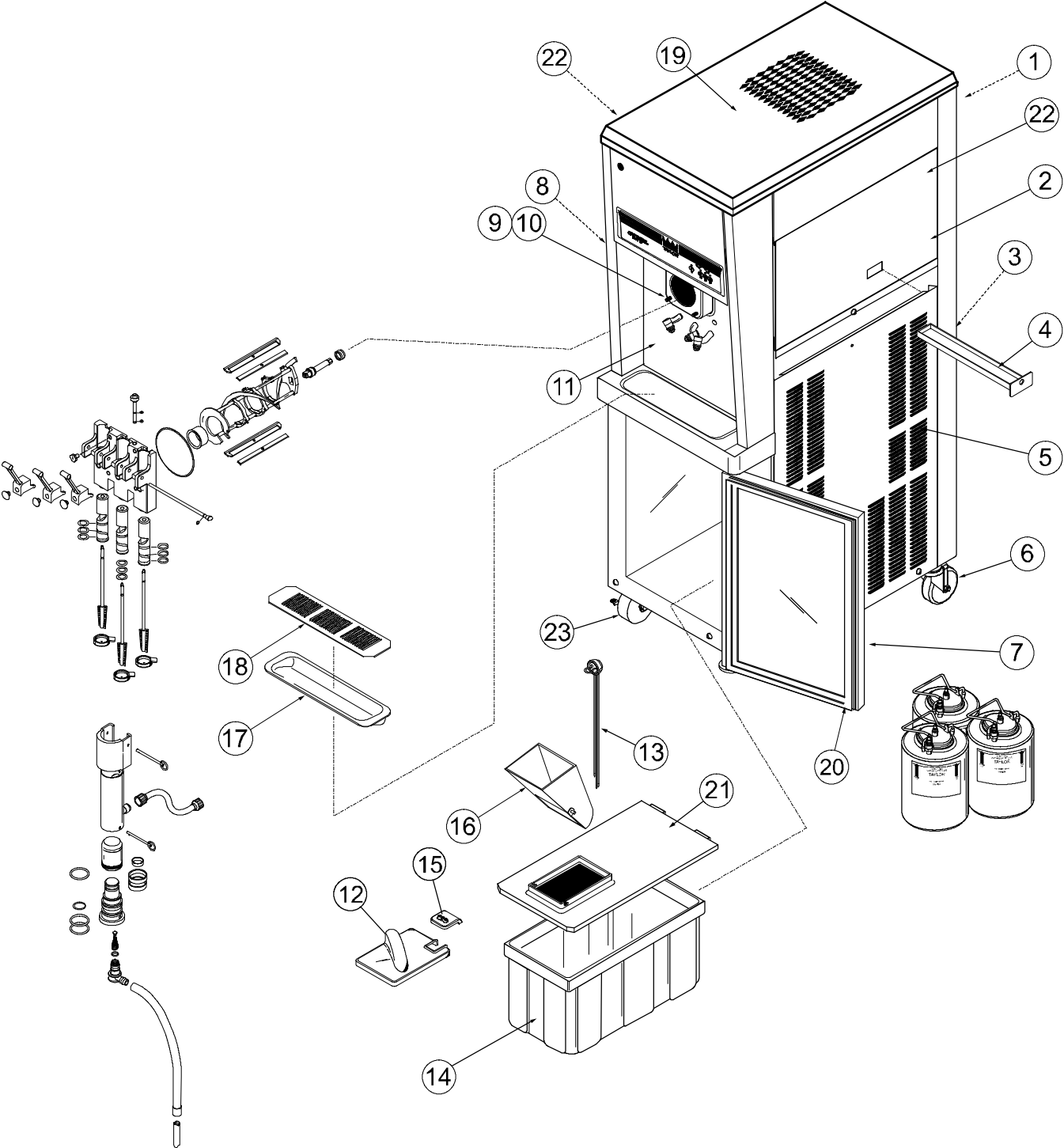
DO NOT run the unit without product. Failure to follow this instruction can result in damage to the unit.

NOISE LEVEL: Airborne noise emission does not exceed 78 dB(A) when measured at a distance of 1.0 meter from the surface of the unit and at a height of 1.6 meters from the floor.

Section 4

Operator Parts Identification

Exploded View

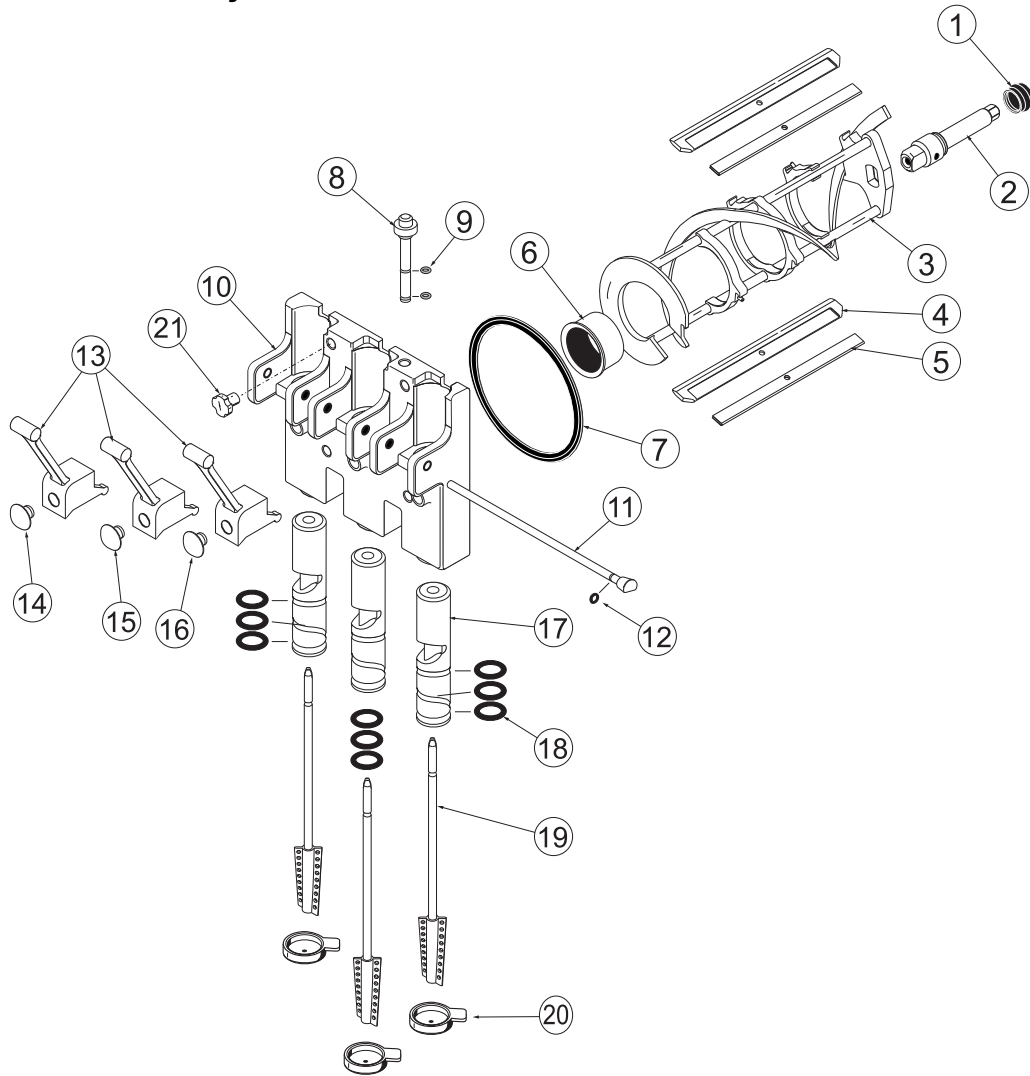


Exploded View Parts Identification

Item	Description	Part No.
1	Panel- Upper Rear	049811
2	Panel- Upper Side Right	028639
3	Panel- Lower Rear	025128
4	Pan- Drip 11- 5/8 Long	027503
5	Panel Assembly- Lower Side R/L	X23956
6	Caster- Swivel - 3/4- 10 ST	021279
7	Door Assembly- Insulated	X22178
8	Panel- Upper Side Left	028638
9	Stud- Upper Freezer	023909
10	Stud- Lower Freezer	023910
11	Panel Assembly- Front	X49780
12	Cover- Mix Storage- Center	038827

Item	Description	Part No.
13	Probe Assembly- Mix w/Ball	X35981
14	Tank- Mix- 15 Gallon- Plastic	020275
15	Boot- Mix Cover	037200
16	Funnel- Mix	036637
17	Tray- Drip 16- 7/8 L x 5- 1/8	020157
18	Shield- Splash	022765
19	Hood	049810
20	Gasket- Mix Door	020134
21	Cover A.- Mix Tank	X38726
22	Trim Assembly- Side R/L	X22424
23	Caster- 3" Swivel 3/4- 10 Stem w/Brake	030307

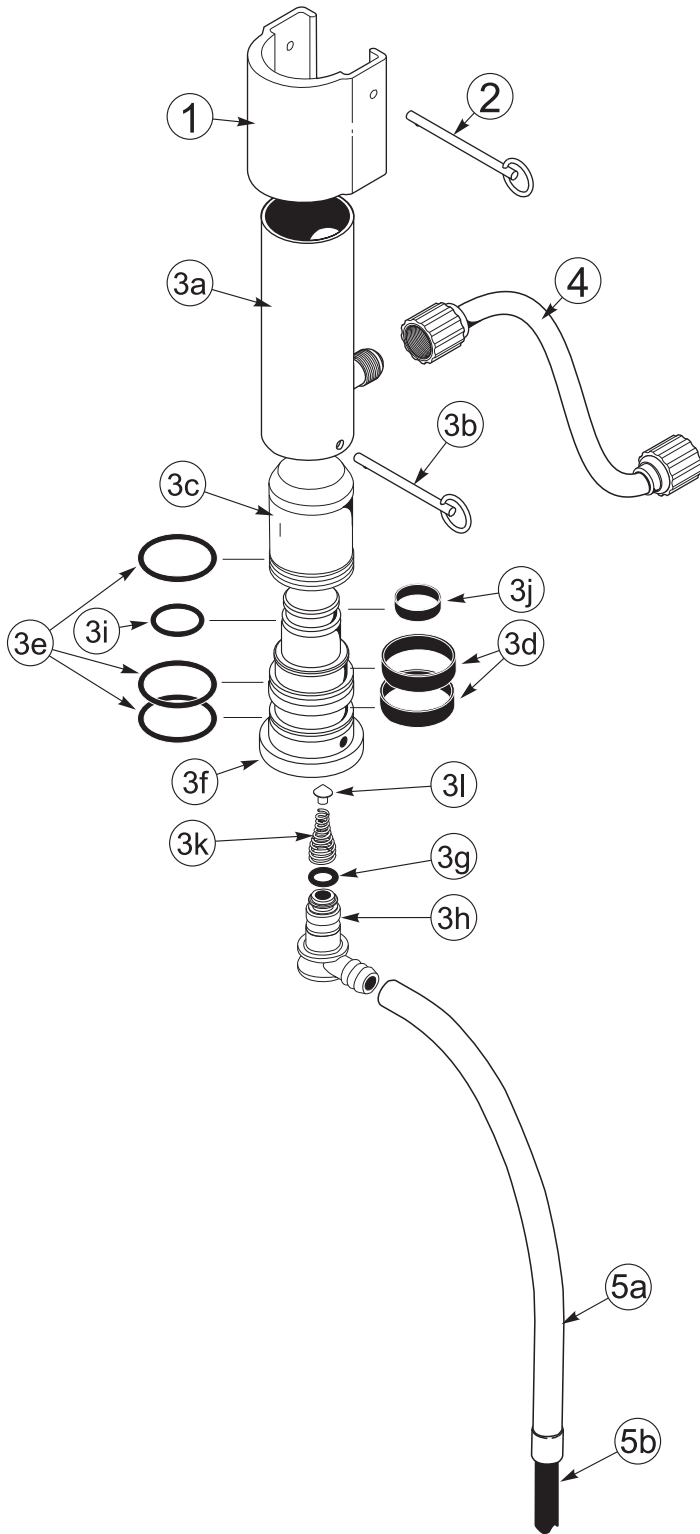
Beater Door Assembly



Item	Description	Part No.
1	Seal- Drive Shaft	032560
2	Shaft- Beater	033235
3	Beater A.- 7 Qt.- 1 Pin Support	X46233
4	Blade- Scraper- Plastic	046237
5	Clip- Scraper Blade - 8.75 Inch	046238
6	Bearing- Front	013116
7	Gasket- Door- 5.177 ID x 5.938	016672
8	Plug- Prime	028805
9	O- Ring - 3/8 OD x .070 W	016137
10	Door A.- 3 Spout - Shake	X38815- SER
11	Pin A.- Pivot	X21781

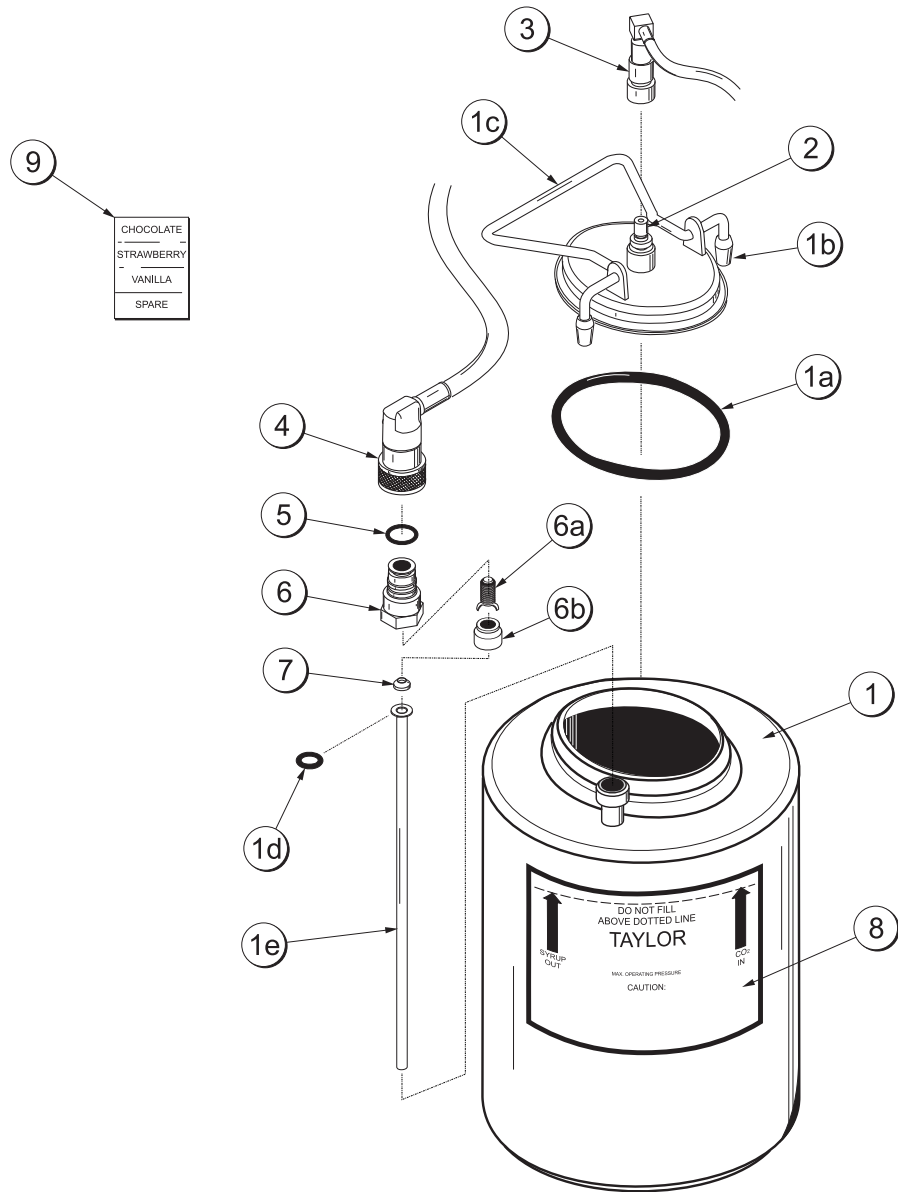
Item	Description	Part No.
12	O- Ring - 5/16 OD x .070 W	016272
13	Handle- Draw Valve	026952
14	Button- Brown	021225- 2
15	Button- Scarlet	021225- 1
16	Button- Plain	021225
17	Valve A.- Draw	X20152
18	O- Ring - 1- 1/16 OD x .139 W	020571
19	Blade A.- Spinner	020112
20	Cap- Restrictor	021183
21	Nut- Stud - General Usage	021508

Pump Assembly



Item	Description	Part No.
1	Cap- Pump	021276- 9
2	Pin- Retaining	021276- 8
3	Pump Assembly	X33450
3a	Cylinder A.- Pump	022345- 1
3b	Pin- Retaining	021276- 8
3c	Piston	032733
3d	Ring- Check 2" OD x 1/2	020050
3e	O- Ring - 2- 1/8 OD x .139 W	020051
3f	Body- Valve	X33451
3g	O- Ring - 13/16 OD x .139 W	021278
3h	Elbow- Inlet 90 Degree	022502- 4
3i	O- Ring - 1- 3/8 OD x .103 W	018664
3j	Ring- Check - 1- 1/4 OD x 3/8	033215
3k	Spring- Tapered 1- 7/8 L	022456
3l	Poppet- Rubber- Black	022473
4	Line A.- Flare	038299
5	Tube A.- Suction - 22"	X20450
5a	Tube- Vinyl 5/8 ID x 1/8 W	020945- 22
5b	Counterweight- Suction Tube	020452

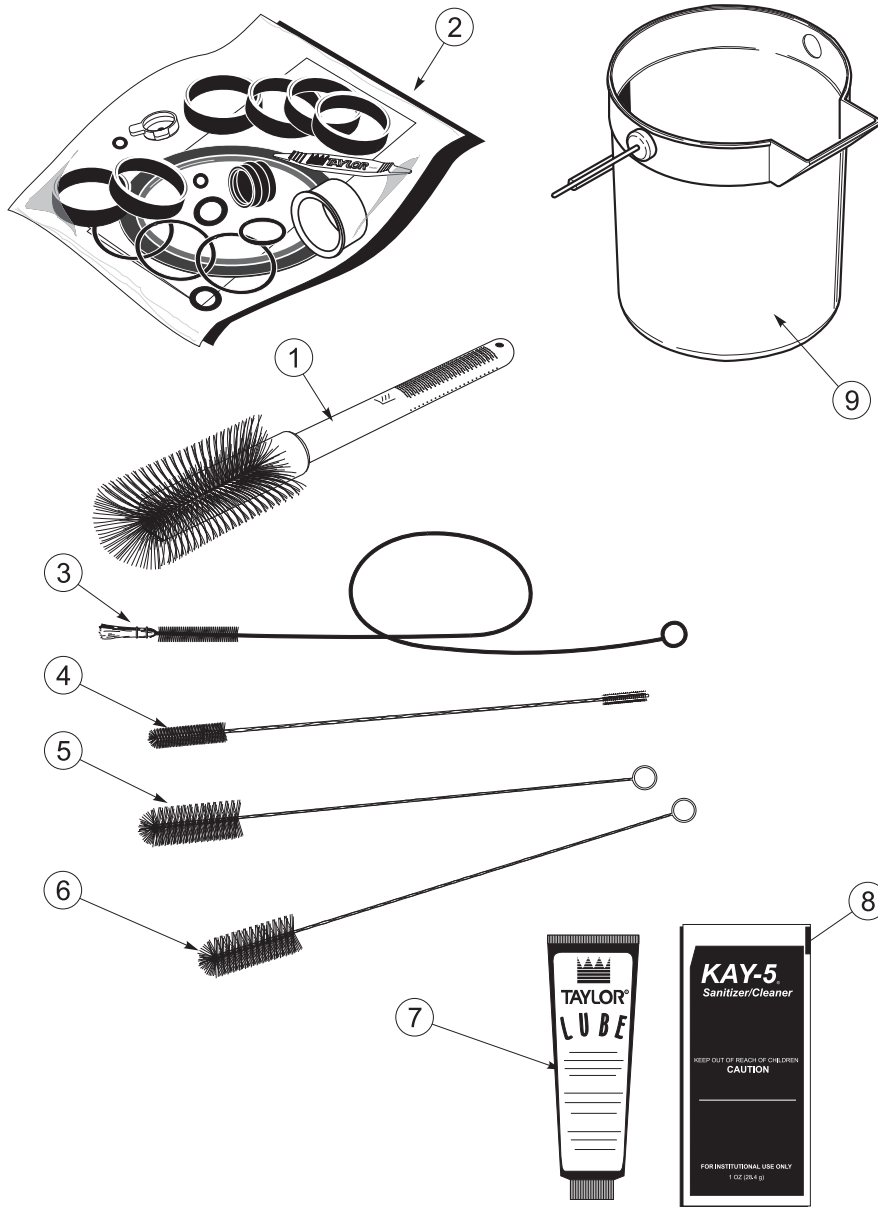
Syrup Tank



Item	Description	Part No.
1	Tank- Syrup	035759
1a	O- Ring - 3.437 ID	016037
1b	Tip- Nylon	024261
1c	Cover- Tank	035759- 1
1d	O- Ring - .291 ID	018550
1e	Dip Tube	020577- 4
2	Plug- Q.D. - CO ₂	021077
3	Socket- Q.D. - CO ₂	021524

Item	Description	Part No.
4	Socket- Q.D. - Liquid	021026
5	O- Ring - 5/8 OD	016030
6	Plug- Q.D. - Liquid	021081
6a	Valve & Spring	021081- 2
6b	Insert- Q.D. Plug	021081- 1
7	Washer- 1/4 Flare	018595
8	Decal- Syrup Tank	045533- 1
9	Decal- Set 4 Syrup Flavor	021523

Accessories



Item	Description	Part No.
1	Brush- Mix Pump Body	023316
2	Kit A.- Tune Up 5454	X36568
3	Brush- Feed Tube	021101
4	Brush- Double Ended	013072
5	Brush- Rear Bearing	013071

Item	Description	Part No.
6	Brush- Draw Valve	014753
7	Lubricant- Taylor 4 oz.	047518
8	Sanitizer- Kay- 5 125 Packets	041082
9	Pail- Mix 10 qt.	013163

Section 5

Important: To the Operator

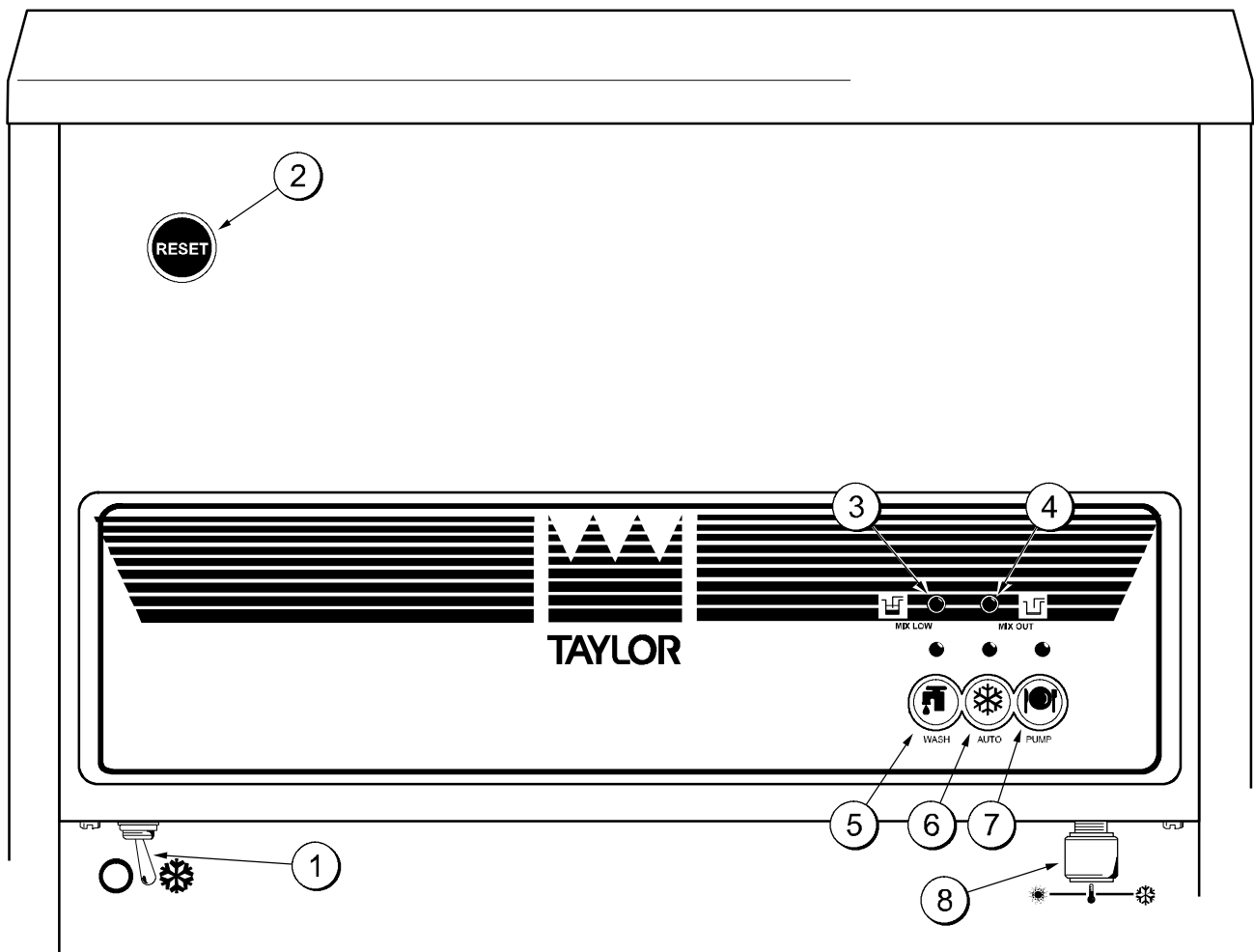


Figure 1




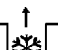
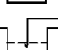

ITEM	DESCRIPTION
1	Power Switch
2	Reset Mechanism
3	Indicator Light - MIX LOW
4	Indicator Light - MIX OUT

ITEM	DESCRIPTION
5	WASH Keypad
6	AUTO Keypad
7	PUMP Keypad
8	Thermistor Control

Symbol Definitions

To better communicate in the International arena, the words on many of our operator switches and buttons have symbols to indicate their functions. Your Taylor equipment is designed with these International symbols.

The following chart identifies the symbol definitions used on the operator switches.

	= ON/AUTO
	= OFF
	= WASH
	= PUMP
	= MIX LOW
	= MIX OUT

Power Switch

When placed in the ON position, the power switch allows "SOFTECH" control panel operation.

Reset Mechanism

The reset button is located in the upper, left corner of the decorative plate. The reset protects the beater motor from an overload condition. Should an overload occur, the reset mechanism will trip. To properly reset the freezer, turn the power switch to the OFF position. Press the reset button firmly. Place the power switch in the ON position. Press the WASH keypad and observe the freezer's performance. Open the side access panel to check if the beater motor is turning the drive shaft in a clockwise (from operator end) direction without binding.

If the drive shaft is turning properly, press the WASH keypad to cancel the cycle. Press the AUTO keypad to resume normal operation. If the reset mechanism should trip again, contact your authorized Taylor Distributor to resolve the problem.

Indicator Lights - Mix Low and Mix Out

When the MIX LOW light begins to flash, it indicates that the mix tank has a low supply of mix and should be refilled as soon as possible. When the MIX OUT light begins to flash, it indicates that the mix tank has an insufficient supply of mix to operate the freezer. At this time, the AUTO mode is locked out and the freezer shuts down. To initiate the refrigeration system, add mix to the tank and press the AUTO keypad. The freezer will automatically begin operation.

Mix

When the MIX keypad is pressed, the light comes on, indicating that the mix cabinet refrigeration system is operating. The mix refrigeration is controlled by the MIX keypad found on the control panel. By pressing the AUTO keypad, the MIX function is automatically turned on. The MIX function cannot be cancelled unless the AUTO mode is cancelled.

Wash

When the WASH keypad is pressed, the light comes on, indicating beater motor operation. The AUTO mode must be cancelled first to activate the WASH mode.

Auto

When the AUTO keypad is pressed, the light comes on indicating that the main refrigeration system has been activated. In the AUTO mode, the WASH function is automatically cancelled. The MIX function is automatically locked in to maintain the mix in the cabinet and the PUMP function is locked in to allow coaxial air/mix pump operation as required.

Pump

When the PUMP keypad is pressed, the light comes on indicating that the coaxial air/mix pump will operate as required.

Note: An indicating light and an audible tone will sound whenever a mode of operation has been pressed. To cancel any function, press the keypad again and the mode of operation will discontinue.

Thermistor Control

The product temperature is adjusted by means of a thermistor control. Located just above the freezer door is the thermistor control knob. Turning the adjusting knob clockwise will decrease product temperature and counterclockwise will increase the temperature. Each half turn will vary the temperature approximately two degrees. Allow the refrigeration system to cycle on and off two or three times before the adjusted temperature can be evaluated.

Liquid Valve Body Removal Tool

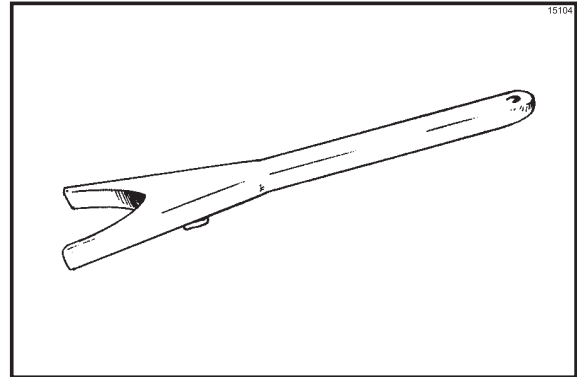


Figure 2

This tool was designed to help remove the liquid valve body from the pump cylinder. Remove the suction line, the flare line, the retaining pin and the mix inlet fitting from the pump cylinder. Turn the air/mix pump assembly upside down. Insert the curved end under the edge of the liquid valve body and pull down as shown in the illustration below.

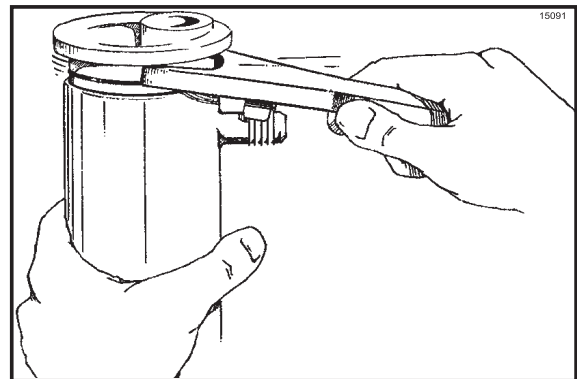


Figure 3

This will enable you to easily pull the liquid valve body out of the pump cylinder. To remove the piston, push down from the top end of the pump cylinder. To prevent breakage, do not allow the piston to fall free.

Syrup Line Fitting With “Clean-Out” Feature

During the days operation, hardened syrup could get lodged in the syrup line fitting. To clear the syrup line of restrictions, follow these steps.

Prepare a mix pail with one gallon (3.8 liters) of an approved 100 PPM sanitizing solution with warm water.

Disconnect the restricted syrup line at the syrup tank and at the freezer door.

Place the syrup sampler on the syrup line fitting at the freezer door and press it into an empty pail. This will relieve any pressure that might be in the syrup line. Unscrew the cap on the back of the syrup line fitting and pull the cap, spring, and valve out of the fitting.

Rinse the syrup line fitting, cap, spring, and valve in the pail of sanitizing solution.

Once the components are thoroughly rinsed, place the valve, spring, and cap back inside the syrup line fitting and tighten the cap securely.

Reconnect the syrup line fitting at the syrup tank.

Calibrate the syrup flow. (Refer to page 29.)

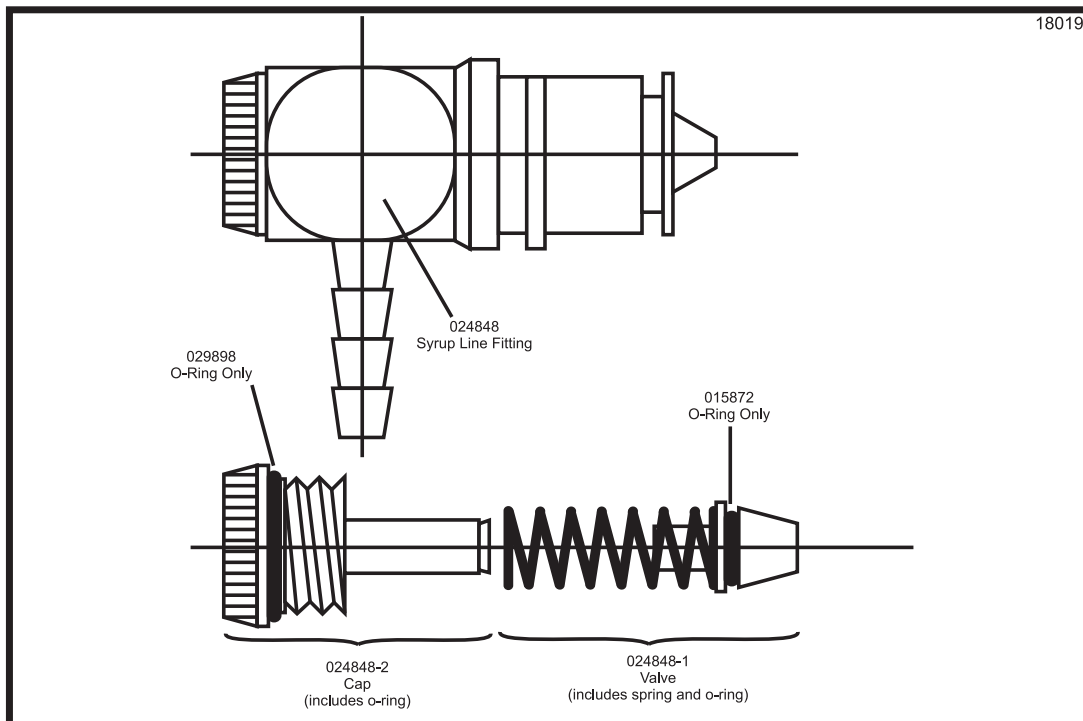


Figure 4

Section 6

Operating Procedures

The Model 5454 has a 15 gallon (56.9 liter) storage container and a 7 quart (6.6 liter) freezing cylinder. The mix is pumped up to the freezing cylinder by a coaxial air/mix pump located in the front, lower mix cabinet. The freezer has a three-flavor door.

The following procedures will show you how to assemble the parts into the freezer, sanitize them, and prime the freezer with fresh mix in preparation to serve your first portion.

If you are disassembling the machine for the first time or need information to get to this starting point in our instructions, turn to page 33, "Disassembly", and start there.

Freezing Cylinder Assembly



BE SURE THE POWER SWITCH IS IN THE "OFF" POSITION. CHECK TO MAKE SURE NO LIGHTS ARE LIT ON THE CONTROL PANEL.

Note: When lubricating parts, use an approved food grade lubricant (example: Taylor Lube).

Step 1

Install the drive shaft. Lubricate the groove and shaft portion on the beater drive shaft. Slide the seal on the shaft and over the groove until it snaps into place. **DO NOT** lubricate the hex end of the drive shaft. Fill the inside portion of the seal with 1/4" more lubricant and evenly lubricate the end of the seal that fits onto the rear shell bearing.

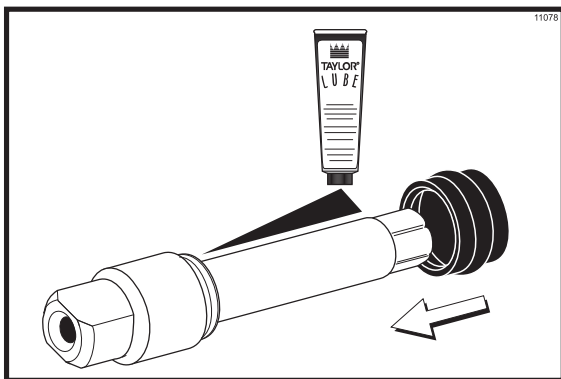


Figure 5

Install the drive shaft through the rear shell bearing in the freezing cylinder and engage the hex end firmly into the gear box coupling. Be sure the drive shaft fits into the drive coupling without binding.

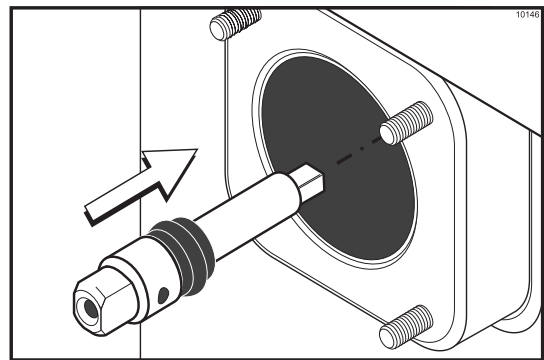


Figure 6

Step 2

Install the beater assembly. First check the scraper blades for any nicks or signs of wear. If any nicks are present, replace both blades. If the blades are in good condition, place the rear scraper blade over the rear holding pin on the beater.

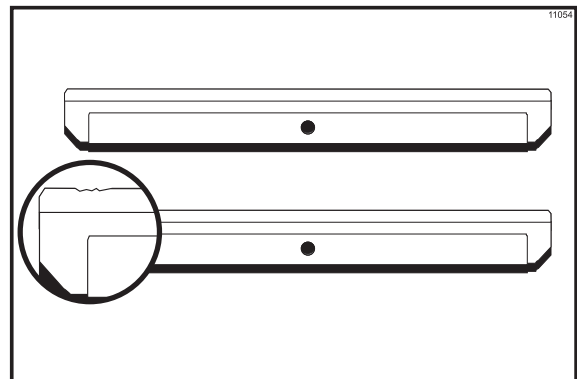


Figure 7

Note: The scraper blade must fit securely over the pin to prevent costly damage.

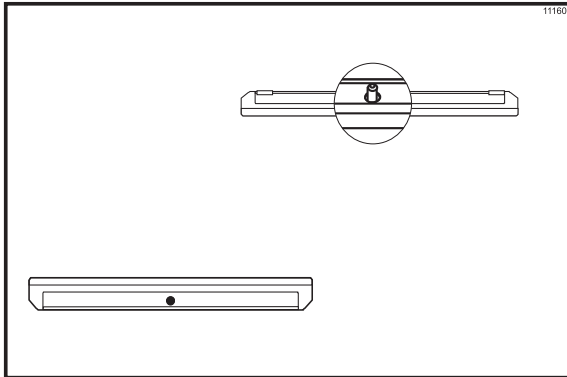


Figure 8

Assemble the front blade on the beater, and slide the beater assembly into the freezing cylinder.

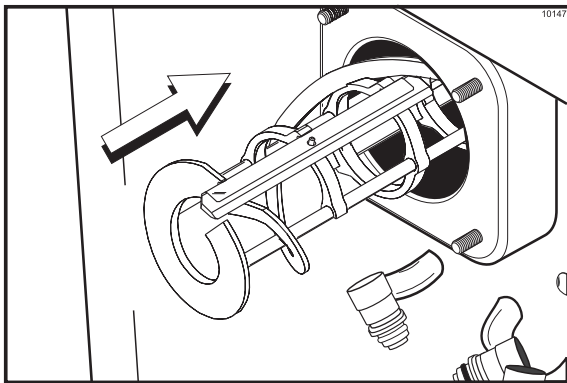


Figure 9

Make sure the beater assembly is in position over the drive shaft. Turn the beater slightly to be certain that the beater is properly seated. When in position, the beater will not protrude beyond the front of the freezing cylinder.

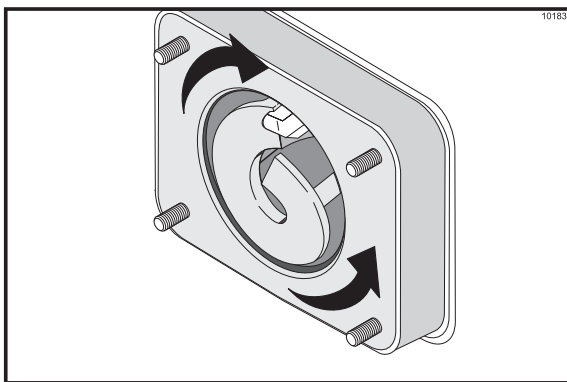


Figure 10

Step 3

Assemble the freezer door. Place the freezer door gasket into the groove on the back of the freezer door. Slide the front bearing onto the bearing hub so the flanged edge is against the door. **DO NOT** lubricate the gasket or bearing.

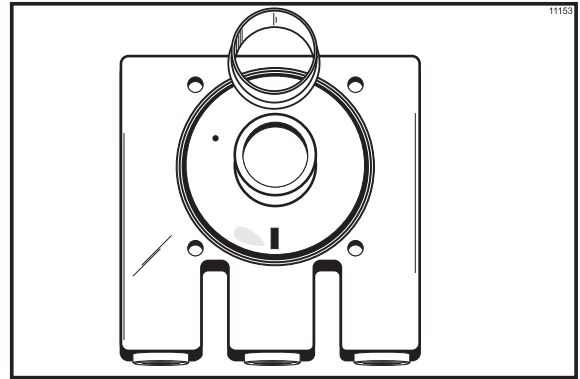


Figure 11

Slide the two o-rings into the grooves on the prime plug. Apply an even coat of lubricant to the o-rings and shaft.

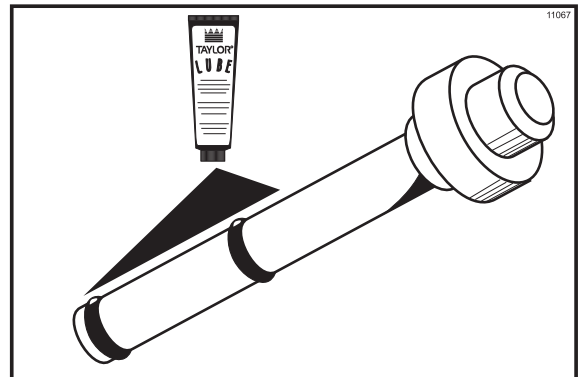


Figure 12

Insert the prime plug into the hole at the top of the freezer door and push down.

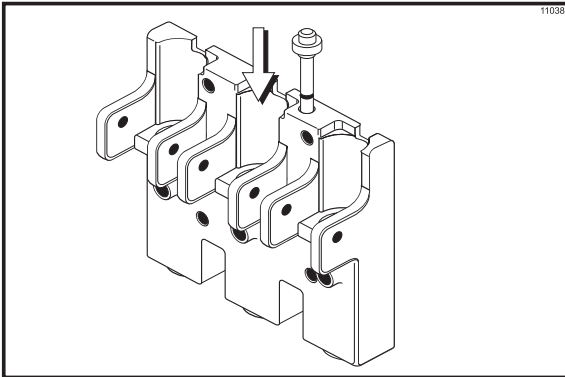


Figure 13

Step 4

Install the freezer door. Position the freezer door on the four studs on the front of the freezing cylinder. Install the handscrews. Tighten them equally in a criss-cross pattern to insure that the door is snug.

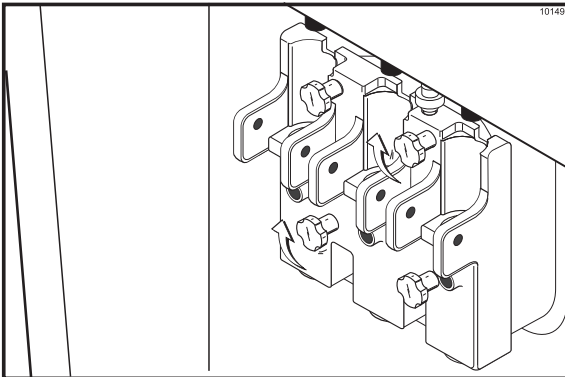


Figure 14

Step 5

Install the draw valves. Slide the three o-rings into the grooves on each draw valve and lubricate the valve where indicated in the illustration below.

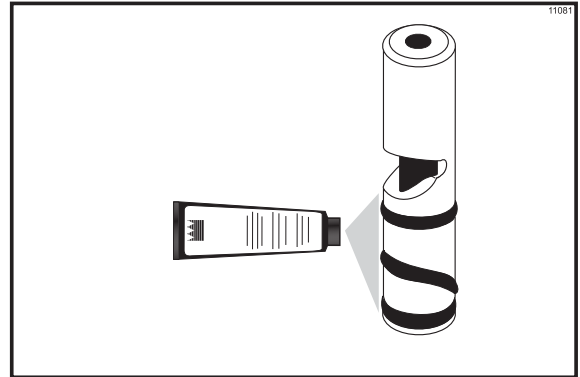


Figure 15

Lubricate the inside of the freezer door spouts (top and bottom). Insert each draw valve from the **bottom** of the door, until the slot in the draw valve comes into view.

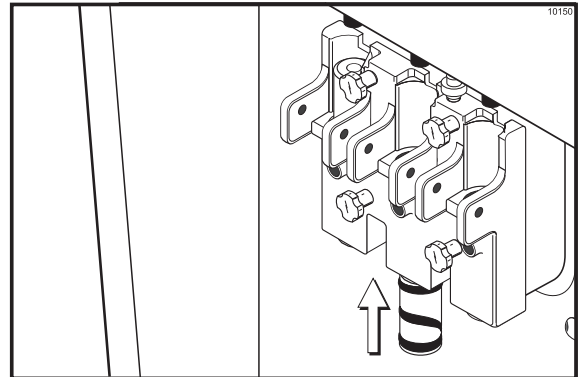


Figure 16

Step 6

Install the draw handles. Slide the o-ring into the groove on the pivot pin and lubricate the pin as illustrated below.

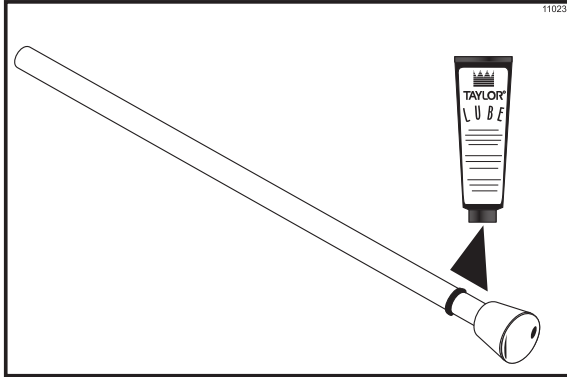


Figure 17

Slide the fork of the draw handle in the right side of the draw valve slot. Slide the pivot pin through each draw handle as you insert them into the draw valves.

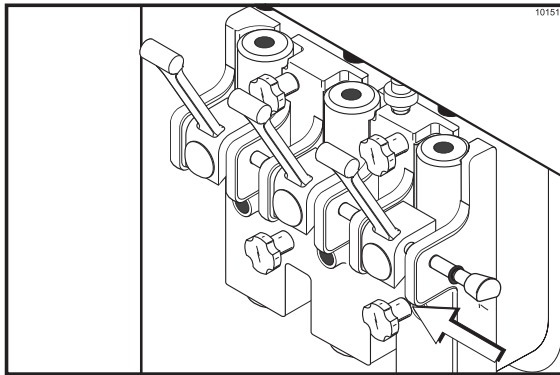


Figure 18

Note: Match the color coded buttons on the draw handles to the color coded buttons above the door on the freezer.

Step 7

Install the spinner blades. Lubricate the shafts of the spinner blades.

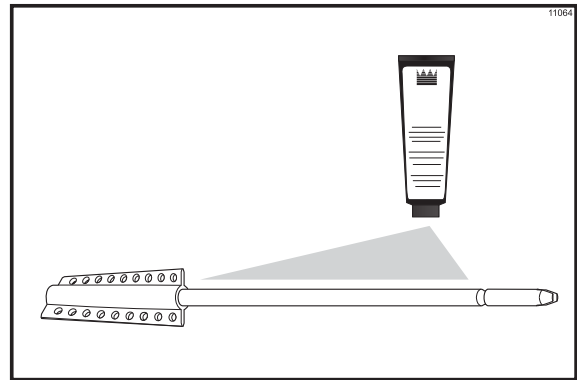


Figure 19

Insert the spinner blades from the bottom of the door into the center of the draw valves until the shaft appears at the top of the draw valve.

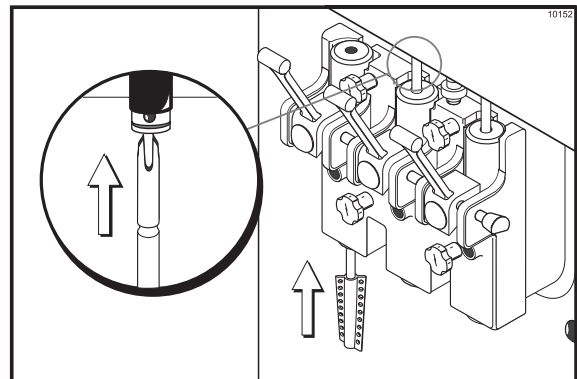


Figure 20

Slip the spinner coupling over the slotted end of the spinner shaft. Raise the slip collar on the coupling and turn the shaft from the bottom, until the spinner coupling slips down into its locking position. **Note:** The spinner blade will be correctly installed when the blade is flush with the bottom of the door spout.

Step 8

Snap the restrictor caps over the end of each door spout.

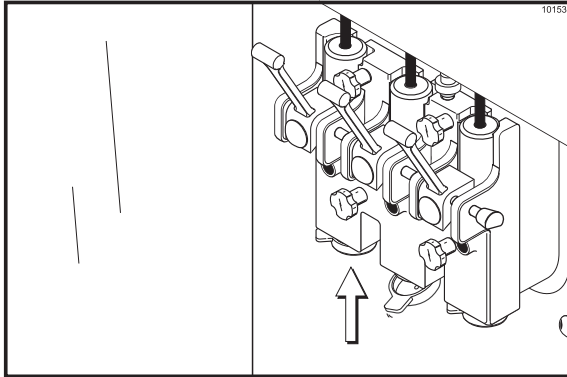


Figure 21

Step 9

Slide an o-ring into the groove on each syrup hole plug and lubricate. Install the syrup hole plug in each syrup port of the freezer door.

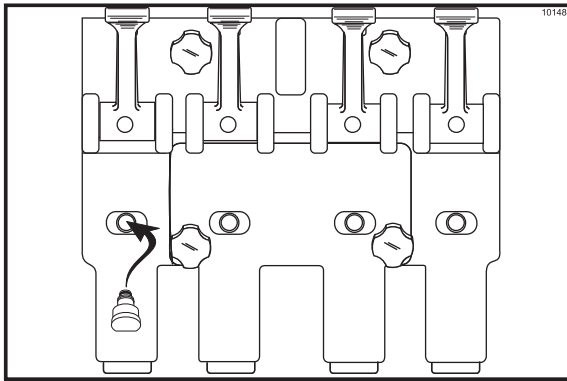


Figure 22

Air/Mix Pump Assembly

The purpose of the air/mix pump is to meter a specific amount of air and mix, and to transfer this combination to the freezing cylinder.

Step 1

Assemble the piston. Slide the o-ring into the groove on the piston. **DO NOT** lubricate this o-ring.

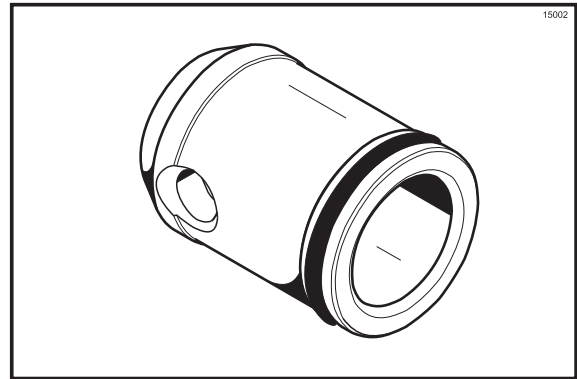


Figure 23

Note: Check bands have two smooth surfaces. A concave shape indicates an incorrect assembly. Turn the check band inside out to correctly expose the flat surface.

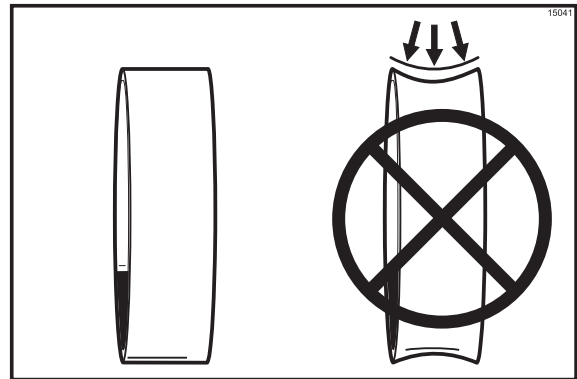


Figure 24

Step 2

Assemble the valve body. Slide the three check bands and three o-rings into the grooves on the valve body. **DO NOT** lubricate the check bands or o-rings.

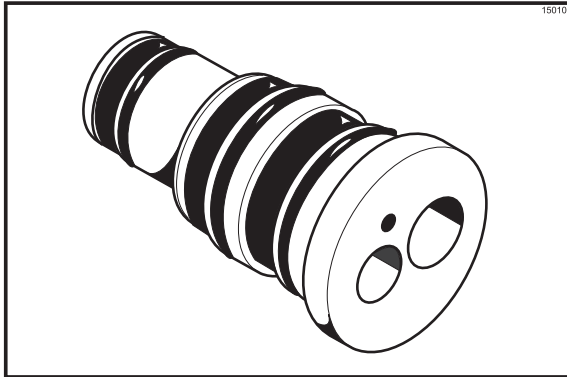


Figure 25

Step 3

Put a small amount of lubricant inside the piston and insert the valve body into the piston.

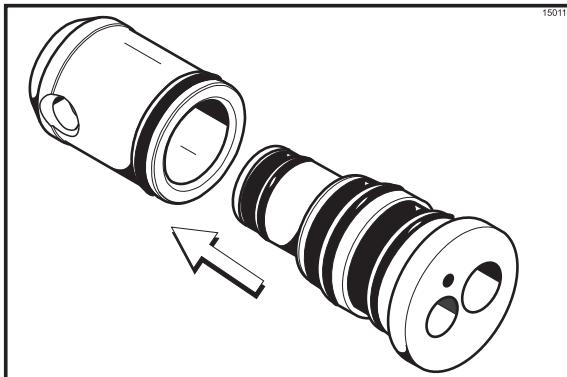


Figure 26

Apply a small amount of lubricant to the LOWER inside diameter of the pump cylinder (to a depth equivalent to your index finger). Once applied, this amount of lubricant should be equal to a paper thin film.

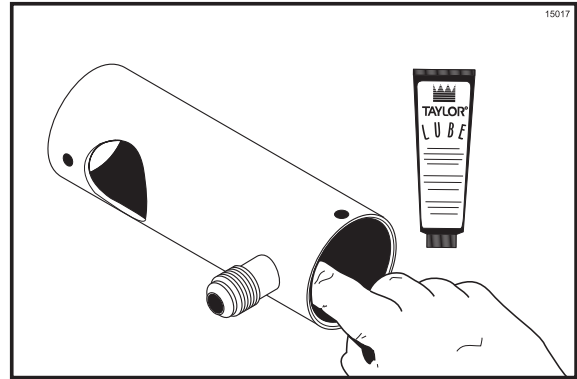


Figure 27

Insert the assembled piston and the valve body into the pump cylinder and push upwards. Align the steel button at the base of the valve body with the cut out groove at the bottom of the pump cylinder.

Note: The drive hole in the piston must be visible through the drive hole in the pump cylinder.

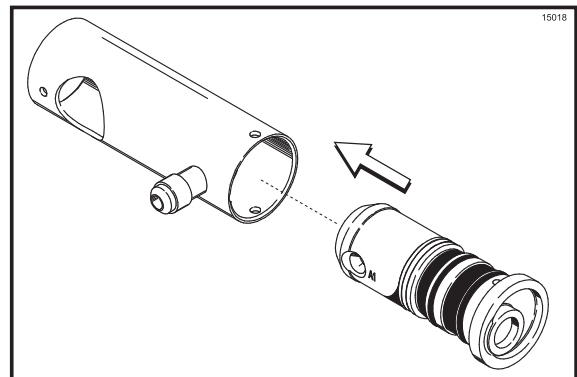


Figure 28

Step 4

Assemble the mix inlet fitting. Slide the o-ring into the groove on the mix inlet fitting and lubricate the fitting as shown below.

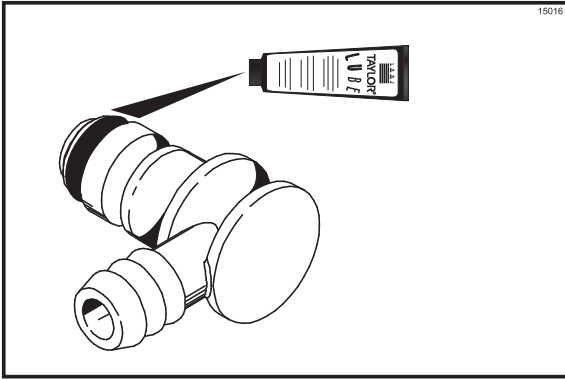


Figure 29

Attach the poppet and spring to the end of the mix inlet fitting above the o-ring. The spring must be securely fastened and must not be allowed to float freely.

Note: The rubber poppet and spring act as a pressure relief valve to prevent a pressure build-up in the freezing cylinder.

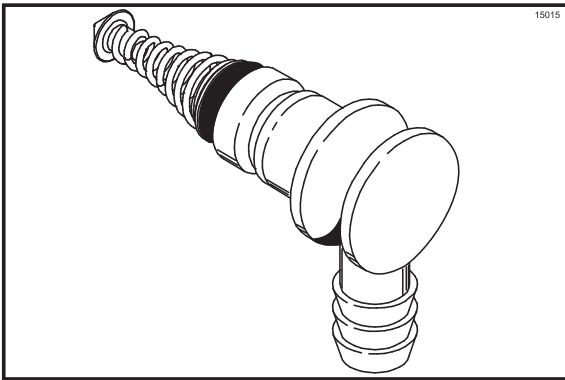


Figure 30

Insert the mix inlet fitting into the hole in the base of the valve body.

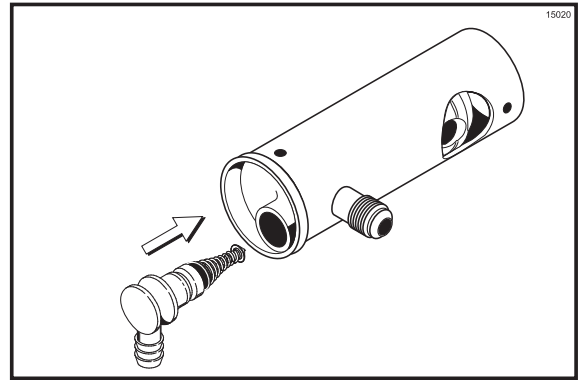


Figure 31

Secure the pump parts in position by sliding the retaining pin through the cross holes located at the bottom of the pump cylinder.

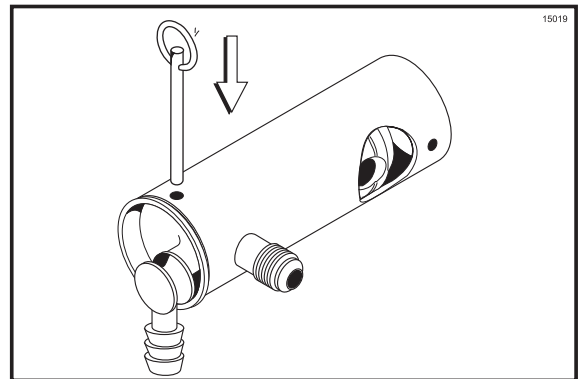


Figure 32

Step 5

Assemble the flare line and the suction line. Assemble the weight into the suction line. Attach the mix suction line to the barbed end of the mix inlet fitting, and allow the weighted end to hang freely.

Note: The suction line must fit tightly against the mix inlet fitting.

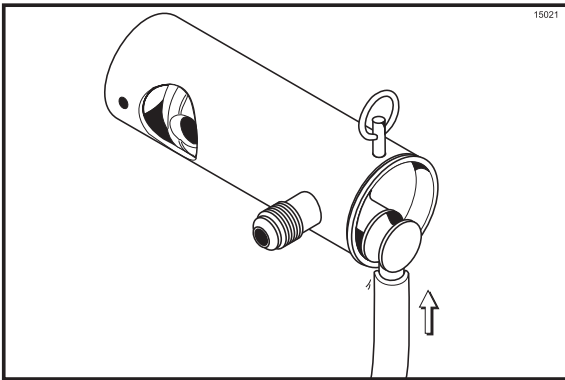


Figure 33

Push both nuts back from the end of the flare line and lightly lubricate the underside of the plastic flare. This will enable the flare nut to turn freely without twisting the tubing.

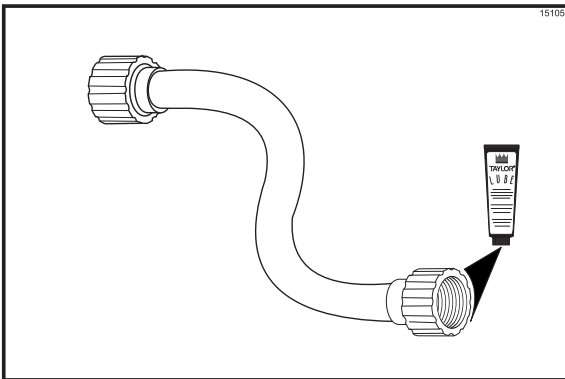


Figure 34

Attach one end of the flare line to the threaded fitting on the lower side of the pump cylinder, and allow the other end to hang free.

Step 6

Secure the air/mix pump. Place the pump collar over the pump cylinder. (The cross holes of the pump collar will be on top.)

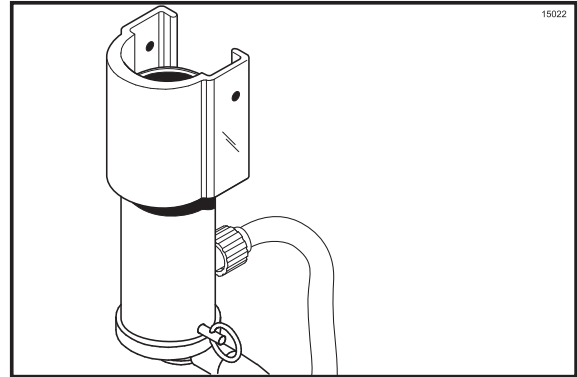


Figure 35

Align the drive hole in the piston to the ball crank of the motor reducer. At the same time, align the locating pin hole in the pump cylinder to the locating pin on the face plate.

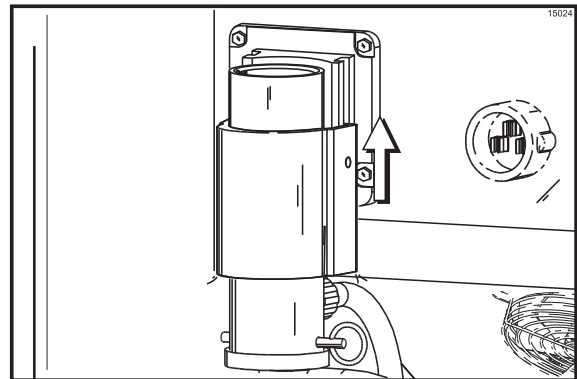


Figure 36

Slide the pump collar upwards into the grooves on the side of the face plate and secure the air/mix pump in place by slipping the retaining pin through the cross holes of the pump collar.



Note: Alignment of the air/mix pump is extremely important. Severe and costly damage may occur if it is not properly aligned.

Sanitizing

Step 1

Prepare a mix pail of approved 100 PPM sanitizing solution (examples: 2- 1/2 gal. [9.5 liters] of Kay- 5® or 2 gal. [7.6 liters] of Stera- Sheen®). USE WARM WATER AND FOLLOW THE MANUFACTURER'S SPECIFICATIONS. Place the pail of sanitizing solution inside the mix cabinet.

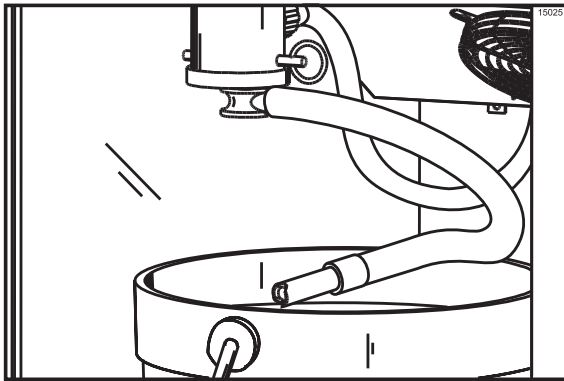


Figure 37

Step 2

Dip the long brush in the sanitizing solution and brush clean the mix inlet tube.

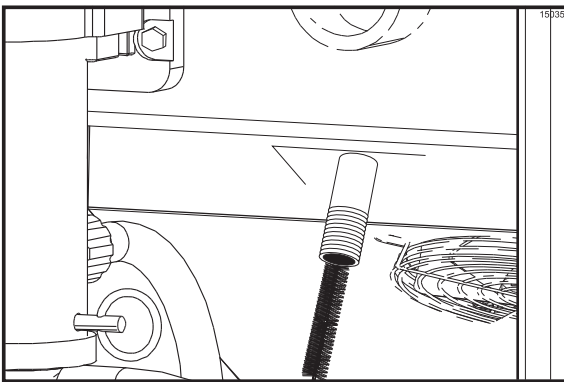


Figure 38

Step 3

Connect the free end of the flare line to the threaded fitting on the mix inlet tube.

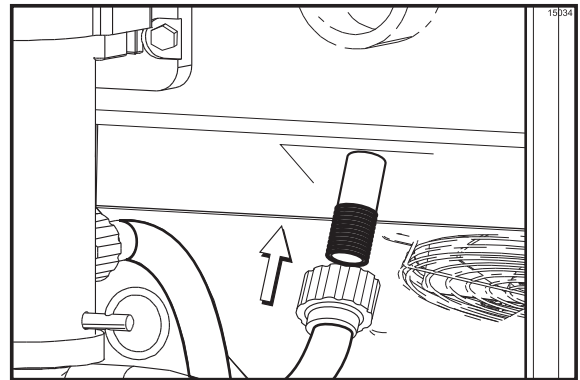


Figure 39

Step 4

Insert the free end of the suction line into the pail of sanitizing solution.

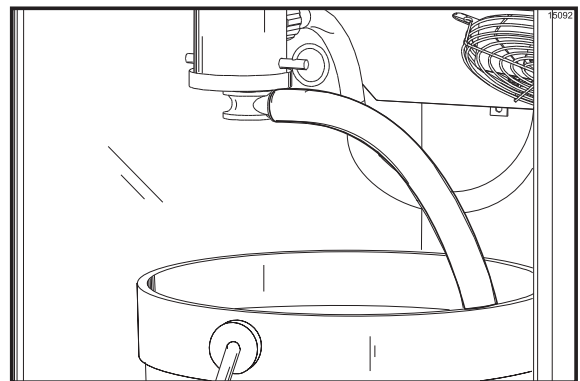


Figure 40

Step 5

Place the power switch in the ON position.

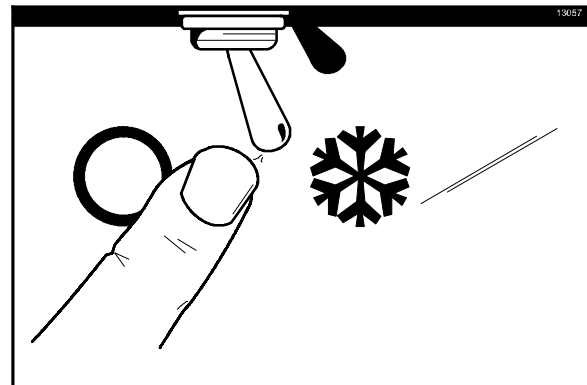


Figure 41

Step 6

Place an empty mix pail beneath the door spouts and raise the prime plug.

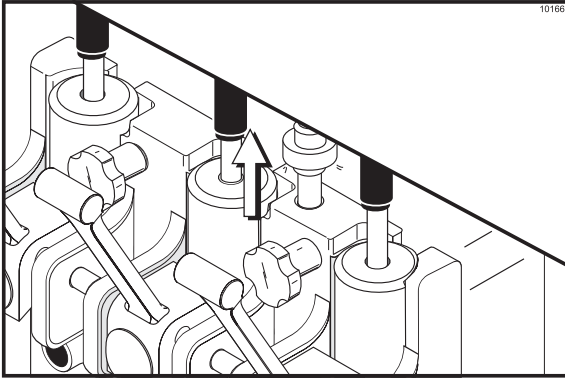


Figure 42

Press the WASH and PUMP keypads. The lights will come on, indicating the pump and beater motor are operating. When a steady stream of sanitizing solution is flowing from the bleed port in the bottom of the freezer door, press the PUMP keypad, stopping the pump operation. Push down the prime plug. Allow the sanitizing solution to agitate in the freezing cylinder for five minutes.

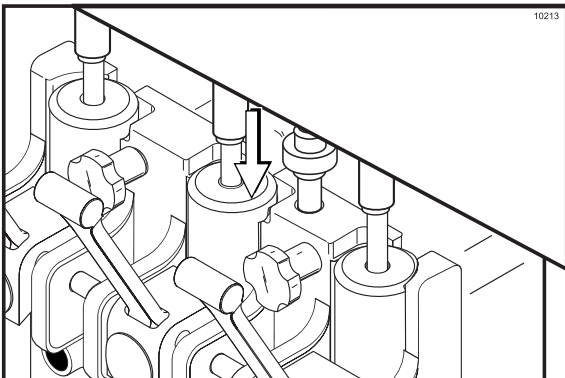


Figure 43

Step 7

After five minutes, raise the prime plug and press the PUMP keypad. Pull down all three draw handles and draw off the remaining sanitizing solution.

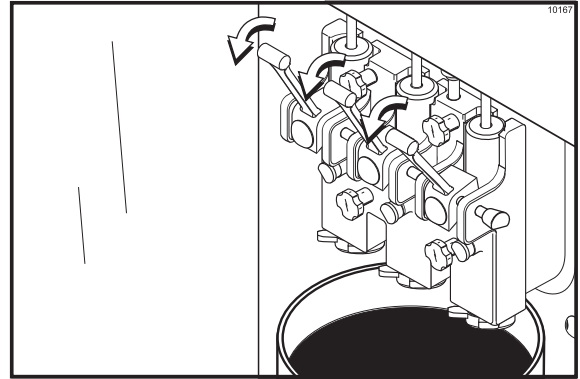


Figure 44

Step 8

Once the sanitizer stops flowing from the door spouts, close the draw valves. Press the WASH and PUMP keypads to stop operation.

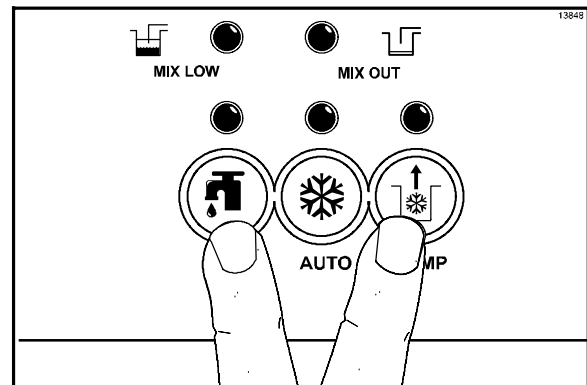


Figure 45



Note: You have just sanitized the freezer. **Be sure your hands are sanitized** before continuing these instructions.

Priming

Step 1

Sanitize the mix tank, mix tank cover, mix probe and funnel. Place the mix tank and cover in the mix cabinet.

Step 2

Insert the mix probe prongs inside the mix tank, and connect the mix probe to the socket receptacle.

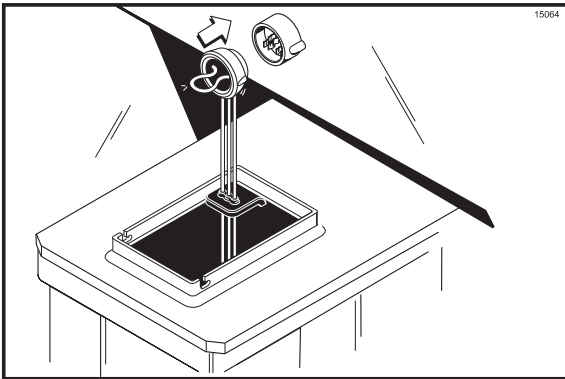


Figure 46

Step 3

Place the free end of the suction line in the mix tank.

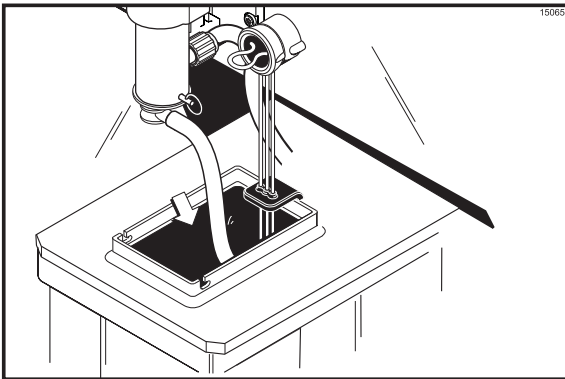


Figure 47

Step 4

Install the funnel. Fill the tank with FRESH mix and close the mix cabinet door.

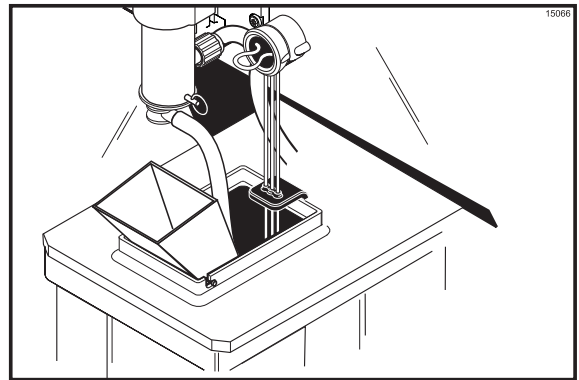


Figure 48

Note: Use **only** FRESH mix when priming the freezer.

Step 5

Place an empty mix pail beneath the door spouts and open the draw valves. With the prime plug still in the UP position, press the PUMP keypad. This will allow the mix to be pumped through the freezing cylinder and force out any remaining sanitizing solution. When full strength mix is flowing from the door spouts, close the draw valves.

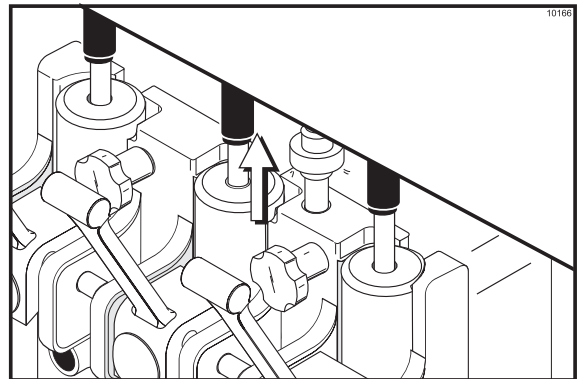


Figure 49

Step 6

When a steady stream of mix is flowing from the bleed port in the bottom of the freezer door, press the PUMP keypad to stop operation.

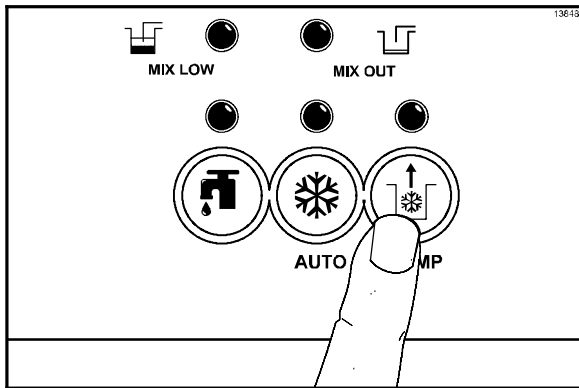


Figure 50

Step 7

Once the stream of mix stops flowing from the bleed port, push down the prime plug. Rinse the prime plug hole area with water; then remove the pail and discard the mix and sanitizer.

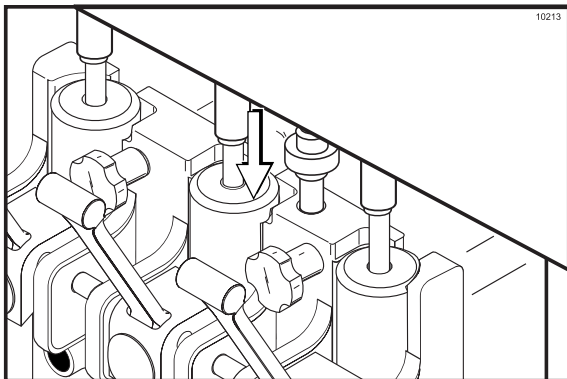


Figure 51

Step 8

Press the AUTO keypad. The MIX light will illuminate, indicating that the mix refrigeration system is operating. The AUTO light will illuminate, indicating that the main refrigeration system is operating. The PUMP light will illuminate, indicating that the air/mix pump will operate whenever mix is needed in the freezing cylinder.

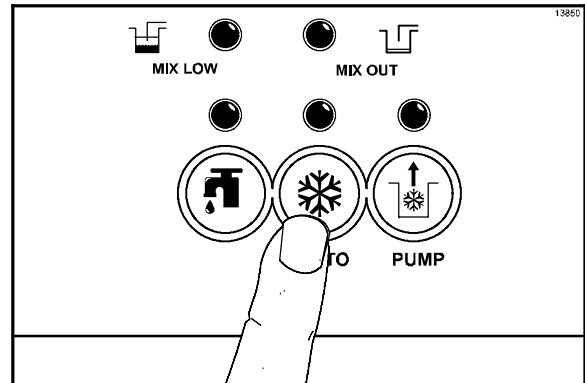


Figure 52

When the unit cycles off, the product will be at the correct viscosity.

Note: Keep the mix cabinet door closed, except when filling the mix tank and during the cleaning and sanitizing procedures. Leaving the door open during mix refrigeration may cause ice in the evaporator and impair the mix cabinet refrigeration.

Syrup System

Two main objectives in your opening procedures must be to:

- A. fill the syrup tanks, and
- B. calibrate the syrup flow.

These conditions must be checked **daily** to insure the high quality shake you desire.

Discard syrup weekly and flush the syrup lines at least once a week. This will prevent syrup from clogging the lines and will break the bacteria chain. See page 34 to sanitize the syrup system.

The syrup tanks can be put in a separate compartment that can be placed behind the freezer or to the side. The air lines and syrup lines are color spiral wrapped.

Be sure to match the color wrapped air and syrup line to the correct flavor syrup tank.

Note: To maintain proper calibration, vanilla and strawberry syrup lines use restrictors at the syrup tank quick disconnect connections. **Use only single strength syrup that is free of pulp and seeds.**

Unscrew the quick disconnect from the elbow portion of the syrup line. Make sure the o-ring rests on the end of the quick disconnect fitting. Place the restrictor on top of the o-ring and screw the quick disconnect back onto the syrup line.

Step 1

Filling the syrup tanks. Pull back the collar of the air line quick disconnect fittings. Allow the air pressure to dissipate from the syrup tanks. Disconnect the syrup lines.

Caution: Make sure you disengage the air line before you disengage the syrup line.

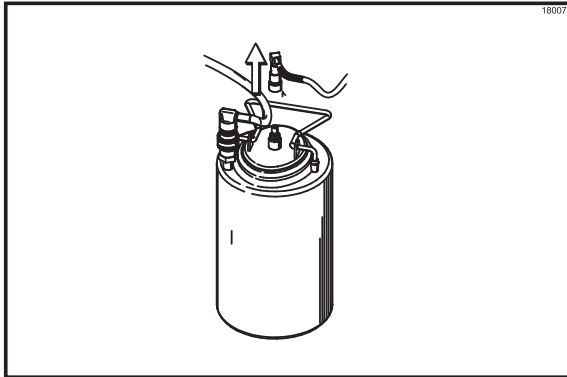


Figure 53

Remove the syrup tanks from their compartment. Remove the syrup tank lid by lifting the locking lever. Fill the tank with syrup to the indicating mark on the label. **IMPORTANT:** Do not overfill the tanks.

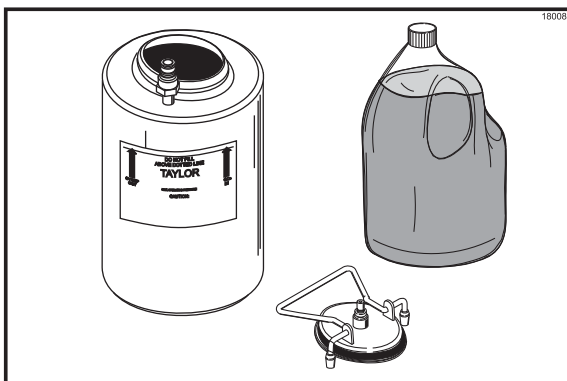


Figure 54

Replace the tank lid and match the spiral wrapped air and syrup lines to the syrup tank. Connect the lines to the tank.

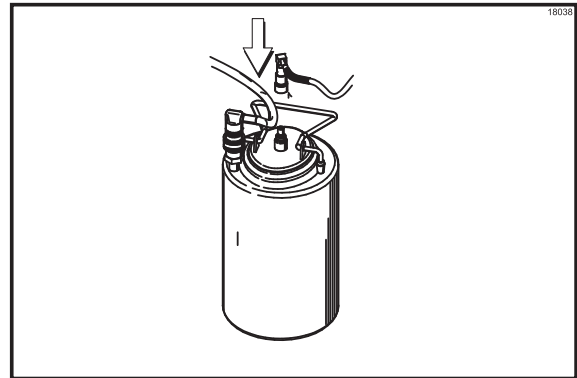


Figure 55

Repeat this step for all syrup tanks.

Note: Refer to page 34 for sanitizing syrup tanks.

Step 2

Calibrating the syrup flow: To obtain a quality shake, it is vital that the correct amount of syrup be incorporated into the mix. The cause of overly thin shakes is often too much syrup. The cause of overly thick shakes is often too little syrup.

To determine the rate of syrup flow, you will need a syrup sampler and a calibrating cup indicating the ounces of liquid. Generally, the proper rate of syrup flow is 1 ounce (29.6 ml) of syrup in 5 seconds. Once this rate is set, the correct amount of syrup will be blended with the shake base regardless of the size of shake served.

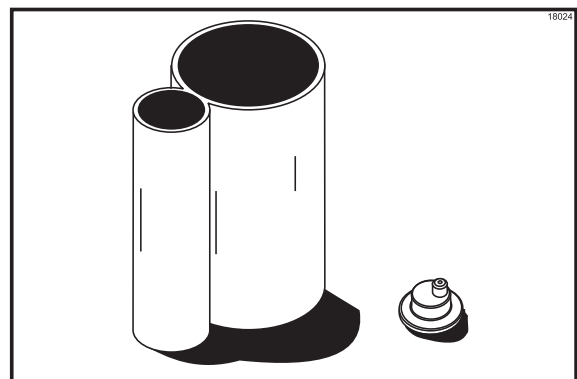


Figure 56

Install the syrup sampler to the fitting on one of the syrup lines.

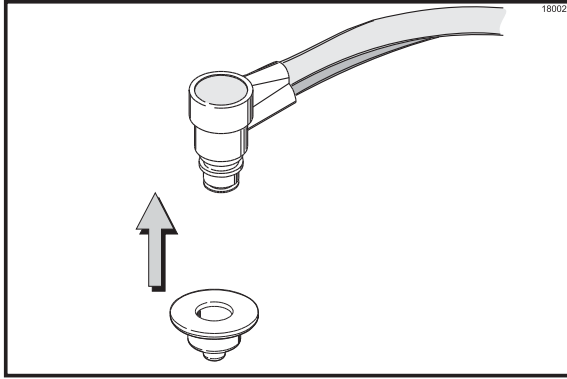


Figure 57

Hold an empty cup beneath the exit point of the syrup sampler. Press the quick disconnect fitting into the syrup sampler. This will bleed any air pockets from the syrup lines. Continue to press the syrup sampler until a steady stream of syrup is flowing into the cup.

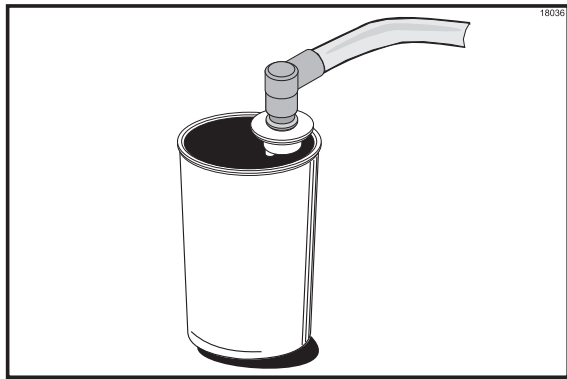


Figure 58

Hold the calibrating cup under the syrup sampler. Press the syrup sampler and time the rate of syrup flow for five (5) seconds; then release. If the amount of syrup received is 1 ounce (29.6 ml), the syrup is properly calibrated.

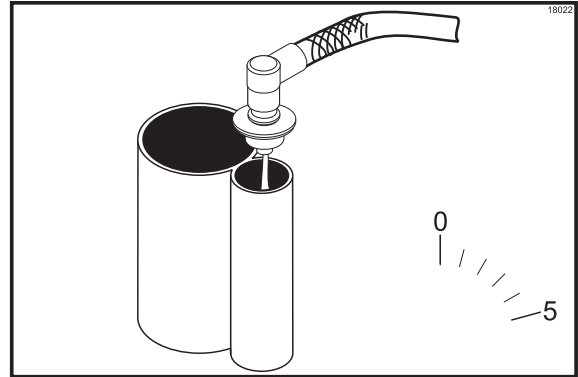


Figure 59

Step 3

Adjusting the syrup pressure: If the amount of syrup received is less than 1 ounce (29.6 ml), the syrup pressure must be increased. If the amount received is more than 1 ounce (29.6 ml), the pressure must be decreased.

An air pressure manifold with individual regulators is supplied to control the amount of pressure to each tank and syrup line.

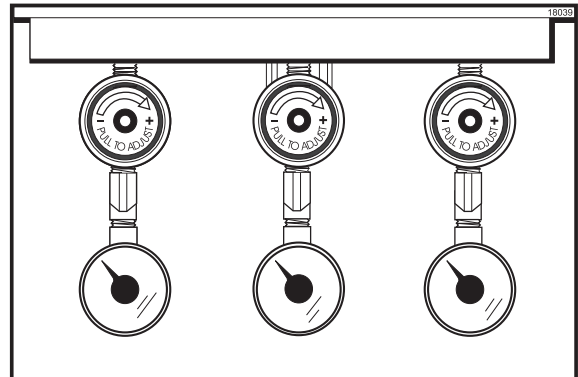


Figure 60

If less than 1 ounce (29.6 ml) of syrup is received, the pressure must be increased. Raise the locking nut and turn the adjusting screw **clockwise**. Push down the locking nut.

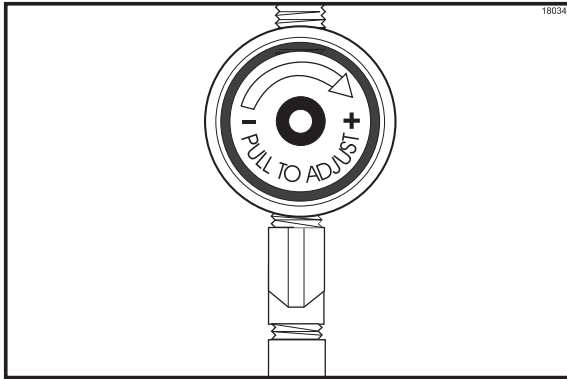


Figure 61

If more than 1 ounce (29.6 ml) of syrup is received, the pressure must be decreased. Raise the locking nut and turn the adjusting screw **counterclockwise** to zero. **Remove the air supply fitting to the syrup tank to allow the pressure in the tank to dissipate.**

Reconnect the air supply fitting. Adjust the regulator to the new pressure setting and recheck the syrup calibration. Lower the locking nut to lock the regulator into its fixed position.

Repeat the calibration procedures for each syrup line.

Remove the syrup sampler. Lightly lubricate the o-ring on each syrup line fitting. Remove the syrup hole plugs from each syrup port.

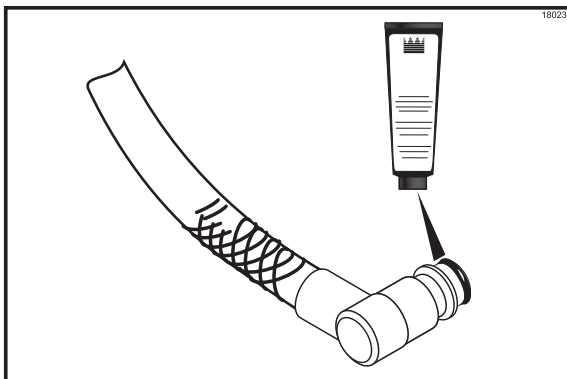


Figure 62

Match the syrup line to the color coded draw handles and begin to attach the fittings of the syrup lines to the syrup ports of the freezer door. The flat side of the syrup line fitting should be aligned with the pin in the syrup port at a 90° angle.

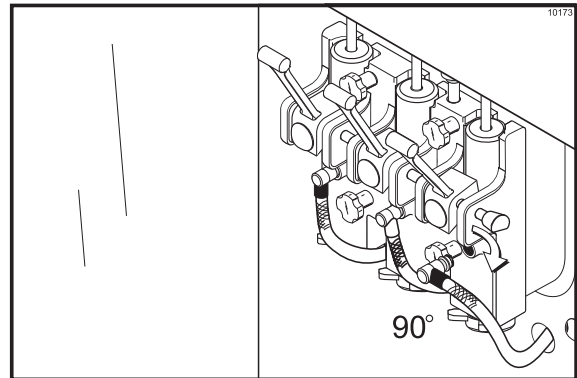


Figure 63

Rotate the syrup line fitting downward to lock it into place.

Step 4

Prime the syrup lines by holding a cup beneath the door spout and draw off 1/2 a shake from each nozzle. Discard this product.

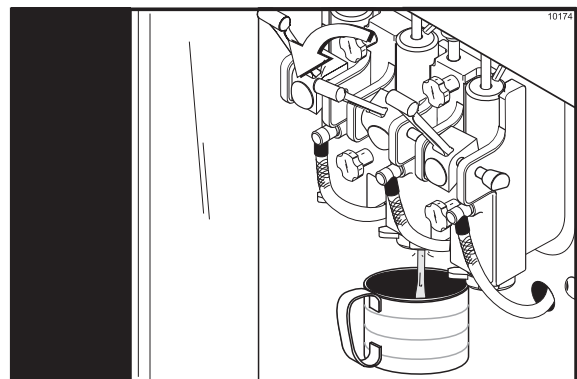


Figure 64

Note: Refer to page 35 for sanitizing syrup lines.

Closing Procedures

To disassemble the Model 5454, the following items will be needed:

- Two sanitized pails
- Sanitized stainless steel rerun can with lid
- Necessary brushes (provided with the freezer)
- Cleaner
- Single service towels

Draining Product From the Freezing Cylinder

Step 1

Press the AUTO and MIX keypads to cancel freezer operation.

Step 2

Remove the syrup lines by rotating the syrup line fittings upward 90° and pulling out them out of the door. Install the syrup hole plugs.

Step 3

Open the mix cabinet door and remove the funnel, mix probe, and mix tank. Empty the mix from the mix tank into a sanitized stainless steel rerun can.

Step 4

Place an empty, sanitized mix pail in the mix cabinet and insert the suction line.

Step 5

Place an empty pail beneath the door spouts. Lower one draw handle at a time to clear the flavored product left in the draw cavities. Raise the draw handles and discard this product.

Step 6

If local health codes permit the use of rerun, place a sanitized, NSF approved stainless steel rerun container beneath the door spouts. Lower the draw handles, and press the WASH and PUMP keypads. Drain all the mix from the freezing cylinder. When the product stops flowing from the door spouts, raise the draw handles and press the WASH and PUMP keypads to stop operation. Place the sanitized lid on the rerun container and place it in the walk-in cooler.

Note: If local health codes DO NOT permit the use of rerun, the product must be discarded. Drain the product into a mix pail and properly discard it.



ALWAYS FOLLOW LOCAL HEALTH CODES.

Rinsing

Step 1

Fill the empty pail in the mix cabinet with two gallons (7.6 liters) of cool, clean water. Put the suction line into the pail of water.

Step 2

Place an empty mix pail beneath the door spouts, and raise the prime plug.

Step 3

Press the WASH and PUMP keypads. This action will cause the rinse water to be pumped into the freezing cylinder.

Step 4

When a steady stream of rinse water is flowing from the bleed port in the bottom of the freezer door, lower the draw handles and draw off all the rinse water.

Step 5

Once the rinse water stops flowing from the door spouts, raise the draw handles and press the WASH and PUMP keypads to stop operation.

Step 6

Repeat this procedure using clean, warm water, until the water being discharged is clear.

Cleaning

Step 1

Prepare a mix pail of approved 100 PPM cleaning solution (examples: 2- 1/2 gal. [9.5 liters] of Kay- 5® or 2 gal. [7.6 liters] of Stera-Sheen®). USE WARM WATER AND FOLLOW THE MANUFACTURER'S SPECIFICATIONS. Place the pail of cleaning solution inside the mix cabinet. Insert the suction line.

Step 2

Place an empty mix pail beneath the door spouts. Be sure the prime plug is still in the raised position.

Step 3

Press the WASH and PUMP keypads. When a steady stream of cleaning solution is exiting the bleed port in the bottom of the freezer door, lower the prime plug. Press the PUMP keypad. Allow the cleaning solution to agitate in the freezing cylinder.

Step 4

Press the PUMP keypad. Lower the draw handles and draw off all the cleaning solution. Once the solution stops flowing from the door spouts, close the draw handles and press the WASH and PUMP keypads to stop operation.

Disassembly

Step 1



BE SURE THE POWER SWITCH IS IN THE "OFF" POSITION. CHECK TO MAKE SURE NO LIGHTS ARE LIT ON THE CONTROL PANEL.

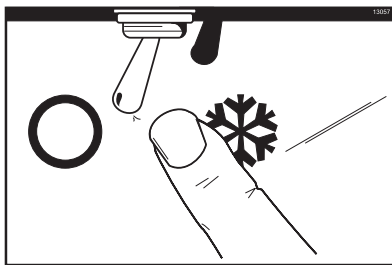


Figure 65

Step 2

Remove the restrictor caps from the bottom of each door spout.

Step 3

Remove the spinner blades from the bottom of each door spout by lifting the slip collar on the coupling and lowering the blade.

Step 4

Remove the handscrews, freezer door, beater, scraper blades, and drive shaft from the freezing cylinder. Take these parts to the sink for cleaning.

Step 5

Remove the air/mix pump. Unscrew the flare line from the mix feed tube. Pull the retaining pin out of the pump collar and slide the collar down. Tilt the air/mix pump away from the machine, and take the entire assembly to the sink for further disassembly and brush cleaning.

Brush Cleaning

Step 1

Prepare a sink with an approved cleaning solution (example: Kay- 5® or Stera- Sheen®). USE WARM WATER AND FOLLOW THE MANUFACTURER'S SPECIFICATIONS. If an approved cleaner other than Kay- 5® or Stera- Sheen® is used, dilute according to label instructions.

IMPORTANT: Follow label directions, as too STRONG of a solution can cause parts damage, while too MILD of a solution will not provide adequate cleaning.

Make sure all brushes provided with the freezer are available for brush cleaning.

Step 2

Remove the seal from the drive shaft.

Step 3

Remove the gasket, front bearing, pivot pin, draw handles, draw valves, prime plug and syrup hole plugs from the freezer door. Remove all o-rings.

Note: To remove o-rings, use a single service towel to grasp the o-ring. Apply pressure in an upward direction until the o-ring pops out of its groove. With the other hand, push the top of the o-ring forward, and it will roll out of the groove and can be easily removed. If there is more than one o-ring to be removed, always remove the rear o-ring first. This will allow the o-ring to slide over the forward rings without falling into the open grooves.

Step 4

Remove the flare line, suction line, retaining pin, mix inlet fitting, spring and poppet, valve body, and piston from the pump cylinder. Remove all o-rings and check bands. Remove the weighted end from the suction line.

With cleaned and sanitized parts trays available:

Step 5

Thoroughly brush clean all disassembled parts in the cleaning solution, making sure all lubricant and mix film is removed. Take particular care to brush clean the draw valve core in the freezer door. Place all the cleaned parts in their proper places on the cleaned and sanitized parts trays to air dry overnight.

Note: Never leave the mix probe immersed in water. Rinse the probe in the cleaning solution and allow it to air dry overnight.

Step 6

Return to the freezer with a small amount of cleaning solution. With the black bristle brush, brush clean the rear shell bearing at the rear of the freezing cylinder.

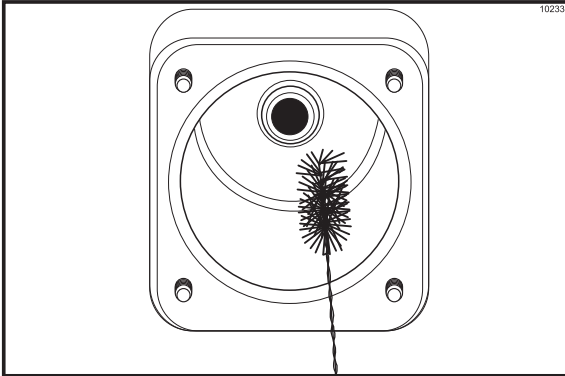


Figure 66

Step 7

Using the long, flexible brush and cleaning solution, clean the mix inlet tube located in the mix cabinet. Thoroughly clean this tube all the way up to the freezing cylinder. This area needs special attention because bacteria and milkstone can accumulate here.

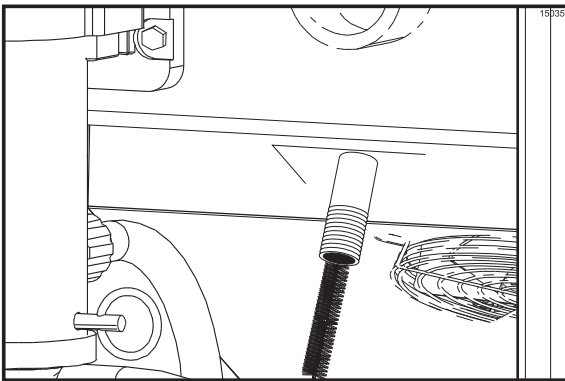


Figure 67

Step 8

Wipe clean all exterior surfaces of the freezer and mix cabinet.

Sanitizing the Syrup System

Two main objectives in your closing procedures must be to:

- A. Discard all syrup at least once a week.
- B. Flush the syrup lines at least once a week.

These steps must be performed on a regular basis to keep old syrup accumulation from clogging the lines, and to break the bacteria chain which develops in the tanks and lines. Remember: Calibrating the syrup flow must be performed every morning, especially after flushing the syrup lines.

Step 1

Sanitizing the syrup tanks. Pull back on the collar of the air line quick disconnect fitting. Allow the air pressure to dissipate from the syrup tank. Disconnect the syrup line.

Remove the syrup tank from its compartment. Remove the syrup tank lid by lifting up on the locking lever. Discard the remaining syrup.

Rinse the syrup tank with clean, warm water.

Prepare one-half gallon (1.9 liters) of an approved 100 PPM sanitizing solution with **warm** water in the syrup tank. Brush clean the inside and outside of the tank.

Using an adjustable wrench, remove the syrup line fitting from each tank. Remove the dip tube and o-ring from the syrup tank.

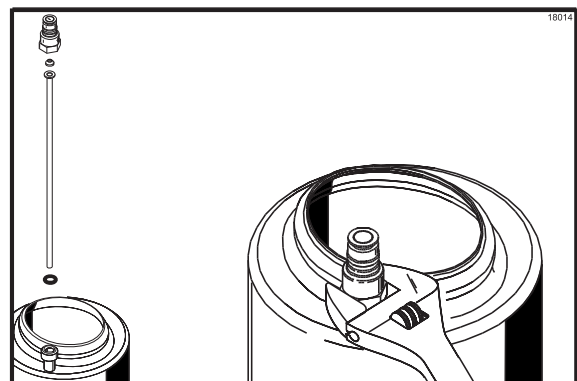


Figure 68

Using the sanitizing water, thoroughly brush clean the dip tube, syrup line fitting, and o- ring. Reassemble the dip tube, o- ring and syrup line fitting.

Pour off all the sanitizing solution. Air dry the tank by placing it in an upside- down position on a clean, dry surface.

Repeat this procedure for all the syrup tanks.

Step 2

Sanitizing the syrup lines. Prepare one gallon (3.8 liters) of an approved 100 PPM sanitizing solution with warm water in the spare syrup tank. Replace and lock the tank lid into position. Place this tank in the syrup compartment.

Connect one of the air lines and one of the syrup lines to the syrup tank filled with sanitizing solution.

Place the power switch in the ON position. This will activate the air compressor to supply pressure to the syrup system.

Attach the syrup sampler to the first syrup line. Press the syrup sampler into an empty mix pail. This will cause syrup residue to be forced out into the pail.

When full strength sanitizing solution is flowing from the syrup line, release the syrup sampler.

Clear the syrup line of any remaining sanitizer by turning the syrup tank (with the sanitizing solution) upside- down and pressing the syrup sampler into the mix pail. Release the syrup sampler and return the syrup tank right side up.

Repeat this procedure for all the syrup lines.

Place the power switch in the OFF position.

Section 7 Important: Operator Checklist

During Cleaning and Sanitizing



ALWAYS FOLLOW LOCAL HEALTH CODES.

Cleaning and sanitizing schedules are governed by federal, state, or local regulatory agencies, and must be followed accordingly. If the unit has a “Standby mode”, it must not be used in lieu of proper cleaning and sanitizing procedures and frequencies set forth by the ruling health authority. The following check points should be stressed during the cleaning and sanitizing operations.



CLEANING AND SANITIZING MUST BE PERFORMED DAILY.

Troubleshooting Bacterial Count

- 1. Thoroughly clean and sanitize machine regularly, including complete disassembly and brush cleaning.
 - 2. Use all brushes supplied for thorough cleaning. The brushes are specially designed to reach all mix passageways.
 - 3. Use the white bristle brush to clean the mix feed tube which extends from the mix cabinet up to the rear of the freezing cylinder.
 - 4. Use the black bristle brush to thoroughly clean the rear shell bearing located at the rear of the freezing cylinder. Be sure to have a generous amount of cleaning solution on the brush.
 - 5. IF LOCAL HEALTH CODES PERMIT THE USE OF RERUN, make sure the mix rerun is stored in a sanitized, covered stainless steel container and used the following day. DO NOT prime the machine with rerun. When using rerun, skim off the foam and discard, then mix the rerun with fresh mix in a ratio of 50/50 during the day's operation.
- 6. On a designated day of the week, run the mix as low as feasible and discard after closing. This will break the rerun cycle and reduce the possibility of high bacteria and coliform counts.
 - 7. Properly prepare the cleaning and sanitizing solutions. Read and follow label directions carefully. Too strong of a solution may damage the parts and too weak of a solution will not do an adequate job of cleaning or sanitizing.
 - 8. Empty all syrup from the tanks and discard at least once a week.
 - 9. Thoroughly clean and sanitize the syrup lines at least once a week.
 - 10. The temperature of mix in the mix cabinet and the walk-in cooler should be below 40°F. (4.4°C.).

Regular Maintenance Checks

- 1. Rotate the scraper blades to allow both sides of the knife edge to wear evenly. This will contribute to self-sharpening and help maintain fast, efficient freezing.
- 2. Replace the scraper blades that are nicked or damaged. Before installing the beater, be certain that scraper blades are properly attached over the pins.
- 3. Check the rear shell bearing for signs of wear (excessive mix leakage in rear drip tray) and be certain it is properly cleaned.
- 4. Using a screwdriver and cloth towel, keep the rear shell bearings and the female hex drive sockets clean and free of lubricant and mix deposits.
- 5. Dispose of o-rings and seals if they are worn, torn, or fit too loosely, and replace them with new ones.
- 6. Follow all lubricating procedures as outlined in “Assembly”.

- 7. On air cooled units, check the condenser(s) for accumulation of dirt and lint. Dirty condensers will reduce the efficiency and capacity of the machine. Condensers should be cleaned **monthly** with a soft brush.

Note: For machines equipped with an air filter, it will be necessary to vacuum clean the filters on a monthly schedule.



Never use screwdrivers or other metal probes to clean between the fins.

- 8. On water cooled units, check the water lines for kinks or leaks. Kinks can occur when the machine is moved back and forth for cleaning or maintenance purposes. Deteriorated or cracked water lines should be replaced by an authorized Taylor mechanic.

The Air/Mix Pump Checklist

- 1. Dispose of o-rings and check bands if they are worn, torn, or fit too loosely, and replace them with new ones.
- 2. Follow lubricating procedures carefully. NEVER lubricate check bands.
- 3. Handle plastic pump parts with care to avoid nicks and cracks.
- 4. Be sure the spring and poppet fit securely over the mix inlet fitting.
- 5. Be sure the air/mix pump is properly aligned with the face plate of the motor reducer, or severe and costly damage may occur.

Winter Storage

If the place of business is to be closed during the winter months, it is important to protect the freezer by following certain precautions, particularly if the building is to be left unheated and subject to freezing conditions.

Disconnect the freezer from the main power source to prevent possible electrical damage.

On water cooled freezers, disconnect the water supply. Relieve pressure on the spring in the water valve. Use air pressure on the outlet side to blow out any water remaining in the condenser. **This is extremely important.** Failure to follow this procedure may cause severe and costly damage to the refrigeration system.

Your local Taylor Distributor can perform this service for you.

Wrap the detachable parts of the freezer such as beater, blades, drive shaft, and freezer door, and place them in a protected, dry place. Rubber trim parts and gaskets can be protected by wrapping with moisture-proof paper. All parts should be thoroughly cleaned of dried mix or lubrication accumulations which attract mice and other vermin.

Section 8

Troubleshooting Guide

PROBLEM	PROBABLE CAUSE	REMEDY	PAGE REF.
<p>1. No product is being dispensed.</p>	<p>a. The unit is low on mix. The MIX OUT light is on.</p>	<p>a. Add mix to the mix tank.</p>	<p>13</p>
	<p>b. The power switch is in the OFF position.</p>	<p>b. Place the power switch to the ON position.</p>	<p>13</p>
	<p>c. The beater assembly is rotating counterclockwise.</p>	<p>c. Call a service technician to correct the rotation to clockwise.</p>	<p>- -</p>
	<p>d. The beater motor is out on reset.</p>	<p>d. Reset the freezer.</p>	<p>14</p>
	<p>e. There is a freeze up in the mix feed tube.</p>	<p>e. Call a service technician.</p>	<p>- -</p>
	<p>f. The mix suction line is not fully submerged in mix.</p>	<p>f. Arrange the suction line so that it's completely submerged in mix.</p>	<p>27</p>
	<p>g. The mix pump ball crank is broken.</p>	<p>g. Call a service technician to replace the ball crank.</p>	<p>- -</p>
	<p>h. The air/mix pump is incorrectly assembled or improperly lubricated.</p>	<p>h. Check the assembly procedures.</p>	<p>21</p>
	<p>i. The spring and poppet in the air/mix pump is missing.</p>	<p>i. The spring and poppet must fit securely on the mix inlet fitting.</p>	<p>23</p>
	<p>j. The pump motor is not activated.</p>	<p>j. Push the reset button on the drive motor.</p>	<p>- -</p>
	<p>k. The mix probe is not installed properly.</p>	<p>k. Check the mix probe installation.</p>	<p>27</p>
	<p>l. Missing, defective or no lubrication on the mix inlet fitting o- ring. (No mix in the suction line.)</p>	<p>l. Replace or evenly lubricate the o- ring on the mix inlet fitting.</p>	<p>23</p>
	<p>m. The suction line is not fitting tightly on the barbed fitting of the mix inlet fitting.</p>	<p>m. Make sure the suction line fits tightly to the fitting.</p>	<p>24</p>
	<p>n. The check bands or o- rings are either worn or defective.</p>	<p>n. Replace rubber parts every 3 months. Never lubricate check bands.</p>	<p>44</p>

PROBLEM	PROBABLE CAUSE	REMEDY	PAGE REF.
2. The product is too stiff.	a. The thermistor control is set too cold.	a. Adjust the thermistor control accordingly.	15
	b. There is insufficient mix in the freezing cylinder.	b. Check the air/mix pump assembly. The mix suction line must be completely submerged in mix.	- -
	c. Improper priming procedures were used.	c. Drain the freezing cylinder and reprime the machine.	27
	d. Old, out-of-date mix was used.	d. Use fresh mix. When using rerun, skim off the foam and mix 50/50 with fresh mix.	- -
	e. Not enough syrup - 1 oz. in 5 seconds.	e. Calibrate syrups. Refer to problem #14.	29
3. The product is too soft.	a. The thermistor control is set too warm.	a. Adjust the thermistor control accordingly.	15
	b. Too much syrup - 1 oz. in 5 seconds.	b. Calibrate the syrups.	29
	c. The scraper blades are bad.	c. Replace scraper blades every 4 months.	44
	d. The condensers on air cooled units are dirty.	d. Clean condensers regularly.	37
	e. There is an inadequate water supply on water cooled units.	e. Check the water supply. Check the water lines for leaks or kinks.	37
	f. Outdrawing the capacity of the freezing cylinder.	f. A continuous draw rate is approximately one 16 oz. shake by volume every 15- 20 seconds.	- -
	g. There is inadequate air space around the unit.	g. A minimum of 3" (7.6 cm) clearance is required around all sides. Do not obstruct the air discharge on top.	1
	h. The compressor is out on overload.	h. Allow the machine to cool the automatic reset. If an overload shuts the compressor down again, call a service technician.	- -
	i. The condenser fan is defective.	i. Call a service technician to replace the fan.	- -
	j. Improper priming procedures were used.	j. Refer to proper priming procedures.	27

PROBLEM	PROBABLE CAUSE	REMEDY	PAGE REF.
4. The mix cabinet temperature is too warm.	a. Warm mix was placed in the cabinet.	a. Mix placed in the mix tank should be below 40°F (4.4°C).	- -
	b. The softech control needs to be adjusted.	b. Call a service technician to adjust the softech control.	- -
	c. The mix cabinet door was left open.	c. The door must be kept closed.	28
	d. The mix cabinet door gasket is not sealing.	d. Repair or replace the door gasket.	- -
	e. The condenser on air cooled units is dirty.	e. Clean condensers regularly.	37
5. The mix cabinet temperature is too cold.	a. The softech control needs to be adjusted.	a. Call a service technician to adjust the softech control.	- -
6. Syrup is bleeding into the freezing cylinder.	a. The spinner shaft was improperly installed.	a. The spinner blade must be flush with the bottom of the door spout.	20
	b. The center o- ring on the draw valve was improperly lubricated or worn.	b. Lubricate the o- ring properly, or replace every 3 months.	44
	c. The draw handle is not completely closed.	c. Push the draw handle up completely.	- -
7. Product is collecting on top of the draw valve.	a. There is inadequate lubrication on the spinner shaft.	a. Lubricate the spinner shaft properly.	20
8. Product is collecting on top of the freezer door.	a. The top o- ring on the draw valve is improperly lubricated or worn.	a. Lubricate properly or replace every 3 months.	44
9. There is excessive mix leakage from the bottom of the door spout.	a. There is a worn, missing, or incorrect o- ring on the draw valve.	a. Replace rubber parts every 3 months. Check the o- ring size.	44
	b. There is improper lubrication on the draw valve o- rings.	b. Lubricate the o- rings properly.	19
	c. There is inadequate lubrication on the spinner shaft.	c. Lubricate the spinner shaft properly.	20

PROBLEM	PROBABLE CAUSE	REMEDY	PAGE REF.
10. There is excessive mix leakage into the rear drip tray.	a. The seal on the drive shaft is either worn or missing.	a. Install the drive shaft seal. Replace rubber parts every 3 months.	44
	b. There is improper lubrication on the drive shaft.	b. Lubricate the drive shaft properly.	17
	c. The rear shell bearing is worn.	c. Call a service technician to replace the rear shell bearing.	- -
	d. The gear box is out of alignment.	d. Call a service technician to align the gear box.	- -
	e. The drive shaft and beater assembly is working forward.	e. Call a service technician to correct the problem.	- -
11. The drive shaft is stuck in the gear box coupling.	a. There is lubrication on the end of the drive shaft.	a. Do not lubricate the end of the shaft. Call a service technician for removal.	- -
	b. There are rounded corners on the shaft, gear coupling, or both.	b. Call a service technician to replace the gear coupling, drive shaft or both.	- -
12. The freezing cylinder walls are scored.	a. There are broken pins on the beater assembly.	a. Repair or replace the beater assembly. Be sure the scraper blades are properly seated on the pins.	- -
	b. The gear box is out of alignment.	b. Call a service technician to align the gear box.	- -
	c. The beater assembly is bent.	c. The beater assembly must be replaced. Call a service technician to correct the cause of the bent beater.	- -
	d. The front bearing is missing.	d. Install the front bearing on the back of the freezer door.	18
13. The spinner shaft will not rotate to blend the syrup and mix.	a. The flexible coupling is broken.	a. Call a service technician to replace the flexible coupling.	- -
	b. The pin is missing on the quick disconnect of the spinner coupling.	b. Call a service technician to replace the spinner coupling.	- -
	c. The spinner motor is out on thermal overload.	c. Allow the spinner motor to cool. Check the lubrication on the spinner shaft. Lubricate the spinner shaft properly.	20

PROBLEM	PROBABLE CAUSE	REMEDY	PAGE REF.
14. Large pressure adjustments are needed to calibrate the syrups or unable to get adequate syrup delivery with syrup sampler.	a. There is hardened syrup in the syrup lines.	a. Clean and sanitize the syrup lines weekly.	35
	b. The syrup and air lines are not matched.	b. Match the color spiral air and syrup line to the correct syrup tank.	28
	c. There is a plugged restrictor in the vanilla or strawberry syrup line connection.	c. Clean the restrictor. Remove the air line from the syrup tank. Remove the syrup line (vanilla or strawberry) from the syrup tank. Disassemble the syrup quick disconnect. Pull the restrictor out and clean.	- -
	d. The syrup line fitting is plugged at the freezer door connection.	d. Clean the syrup line fitting.	16
15. The pump will not operate.	a. The pump motor may be off on reset.	a. Push the reset button on the pump motor.	- -
16. The machine will not run while in AUTO.	a. The machine is unplugged.	a. Plug the machine into the wall receptacle.	- -
	b. The circuit breaker is off, or the fuse is blown.	b. Turn the breaker on, or replace the fuse.	- -
	c. The machine is low on mix. The MIX OUT light is on.	c. Add mix to the mix tank.	- -
	d. The mix probe is not installed properly.	d. Check the mix probe installation.	27
	e. The beater motor is out on reset.	e. Reset the freezer.	14

PROBLEM	PROBABLE CAUSE	REMEDY	PAGE REF.
<p>17. The machine is short cycling. (The refrigeration system starts and stops repeatedly in very short intervals.)</p>	<p>a. The water supply is inadequate on water cooled units.</p>	<p>a. Check the water supply. Check the water lines for leaks and kinks.</p>	<p>37</p>
	<p>b. The condensers are dirty on air cooled units.</p>	<p>b. Clean the condensers regularly.</p>	<p>37</p>
	<p>c. There is inadequate air space around the unit.</p>	<p>c. A minimum of 3" (7.6 cm) clearance around all sides is required. Do not obstruct the air discharge on top.</p>	<p>1</p>
	<p>d. The condenser fan is defective.</p>	<p>d. Call a service technician to replace the fan.</p>	<p>- -</p>

Section 9 Parts Replacement Schedule

PART DESCRIPTION	EVERY 3 MONTHS	EVERY 4 MONTHS	EVERY 6 MONTHS	ANNUALLY
Scraper Blades		X		
Drive Shaft Seal	X			
Freezer Door Gasket	X			
Front Bearing	X			
Draw Valve O- Ring	X			
Prime Plug O- Ring	X			
Pivot Pin O- Ring	X			
Air/Mix Pump O- Ring	X			
Valve Body Check Band	X			
Mix Inlet Fitting O- Ring	X			
White Bristle Brush, 3" x 7"			Inspect & Replace if Necessary	Minimum
White Bristle Brush, 1" x 2"			Inspect & Replace if Necessary	Minimum
Black Bristle Brush, 1" x 2"			Inspect & Replace if Necessary	Minimum
Double- Ended Brush			Inspect & Replace if Necessary	Minimum

Refer to Parts List when ordering the above parts.

Section 10 Limited Warranty on Equipment

TAYLOR COMPANY LIMITED WARRANTY ON FREEZERS

Taylor Company, a division of Carrier Commercial Refrigeration, Inc. ("Taylor") is pleased to provide this limited warranty on new Taylor-branded freezer equipment available from Taylor to the market generally (the "Product") to the original purchaser only.

LIMITED WARRANTY

Taylor warrants the Product against failure due to defect in materials or workmanship under normal use and service as follows. All warranty periods begin on the date of original Product installation. If a part fails due to defect during the applicable warranty period, Taylor, through an authorized Taylor distributor or service agency, will provide a new or re-manufactured part, at Taylor's option, to replace the failed defective part at no charge for the part. Except as otherwise stated herein, these are Taylor's exclusive obligations under this limited warranty for a Product failure. This limited warranty is subject to all provisions, conditions, limitations and exclusions listed below and on the reverse (if any) of this document.

Product	Part	Limited Warranty Period
Soft Serve	Insulated shell assembly	Five (5) years
Frozen Yogurt Shakes	Refrigeration compressor (except service valve)	Five (5) years
Smoothies	Beater motors	Two (2) years
Frozen Beverage	Beater drive gear	Two (2) years
Batch Desserts	Printed circuit boards and Softech controls beginning with serial number H8024200	Two (2) years
	Parts not otherwise listed in this table or excluded below	One (1) year

LIMITED WARRANTY CONDITIONS

1. If the date of original installation of the Product cannot be verified, then the limited warranty period begins ninety (90) days from the date of Product manufacture (as indicated by the Product serial number). Proof of purchase may be required at time of service.
2. This limited warranty is valid only if the Product is installed and all required service work on the Product is performed by an authorized Taylor distributor or service agency, and only if genuine, new Taylor parts are used.
3. Installation, use, care, and maintenance must be normal and in accordance with all instructions contained in the Taylor Operator's Manual.
4. Defective parts must be returned to the authorized Taylor distributor or service agency for credit.
5. The use of any refrigerant other than that specified on the Product's data label will void this limited warranty.

LIMITED WARRANTY EXCEPTIONS

This limited warranty does **not** cover:

1. Labor or other costs incurred for diagnosing, repairing, removing, installing, shipping, servicing or handling of defective parts, replacement parts, or new Products.
2. Normal maintenance, cleaning and lubrication as outlined in the Taylor Operator's Manual, including cleaning of condensers.

3. Replacement of wear items designated as Class "000" parts in the Taylor Operator's Manual.
4. External hoses, electrical power supplies, and machine grounding.
5. Parts not supplied or designated by Taylor, or damages resulting from their use.
6. Return trips or waiting time required because a service technician is prevented from beginning warranty service work promptly upon arrival.
7. Failure, damage or repairs due to faulty installation, misapplication, abuse, no or improper servicing, unauthorized alteration or improper operation or use as indicated in the Taylor Operator's Manual, including but not limited to the failure to use proper assembly and cleaning techniques, tools, or approved cleaning supplies.
8. Failure, damage or repairs due to theft, vandalism, wind, rain, flood, high water, water, lightning, earthquake or any other natural disaster, fire, corrosive environments, insect or rodent infestation, or other casualty, accident or condition beyond the reasonable control of Taylor; operation above or below the electrical or water supply specification of the Product; or components repaired or altered in any way so as, in the judgment of the Manufacturer, to adversely affect performance, or normal wear or deterioration.
9. Any Product purchased over the Internet.
10. Failure to start due to voltage conditions, blown fuses, open circuit breakers, or damages due to the inadequacy or interruption of electrical service.
11. Electricity or fuel costs, or increases in electricity or fuel costs from any reason whatsoever.
12. Damages resulting from the use of any refrigerant other than that specified on the Product's data label will void this limited warranty.
13. Any cost to replace, refill or dispose of refrigerant, including the cost of refrigerant.
14. **ANY SPECIAL, INDIRECT OR CONSEQUENTIAL PROPERTY OR COMMERCIAL DAMAGE OF ANY NATURE WHATSOEVER.** Some jurisdictions do not allow the exclusion of incidental or consequential damages, so this limitation may not apply to you.

This limited warranty gives you specific legal rights, and you may also have other rights which vary from jurisdiction to jurisdiction.

LIMITATION OF WARRANTY

THIS LIMITED WARRANTY IS EXCLUSIVE AND IS IN LIEU OF ALL OTHER WARRANTIES, CONDITIONS AND/OR REMEDIES UNDER THE LAW, INCLUDING ANY IMPLIED WARRANTIES OR CONDITIONS OF MERCHANTABILITY OR FITNESS FOR A PARTICULAR PURPOSE. THE ORIGINAL OWNER'S SOLE REMEDY WITH RESPECT TO ANY PRODUCTS SHALL BE REPAIR OR REPLACEMENT OF DEFECTIVE COMPONENTS UNDER THE TERMS OF THIS LIMITED WARRANTY. ALL RIGHTS TO CONSEQUENTIAL OR INCIDENTAL DAMAGES (INCLUDING CLAIMS FOR LOST SALES, LOST PROFITS, PRODUCT LOSS, PROPERTY DAMAGES OR SERVICE EXPENSES) ARE EXPRESSLY EXCLUDED. THE EXPRESS WARRANTIES MADE IN THIS LIMITED WARRANTY MAY NOT BE ALTERED, ENLARGED, OR CHANGED BY ANY DISTRIBUTOR, DEALER, OR OTHER PERSON, WHATSOEVER.

LEGAL REMEDIES

The owner **must** notify Taylor in writing, by certified or registered letter to the following address, of any defect or complaint with the Product, stating the defect or complaint and a specific request for repair, replacement, or other correction of the Product under warranty, mailed at least thirty (30) days before pursuing any legal rights or remedies.

Taylor Company
a division of Carrier Commercial Refrigeration, Inc.
750 N. Blackhawk Blvd.
Rockton, IL 61072, USA

Section 11

Limited Warranty on Parts

TAYLOR COMPANY LIMITED WARRANTY ON TAYLOR GENUINE PARTS

Taylor Company, a division of Carrier Commercial Refrigeration, Inc. ("Taylor") is pleased to provide this limited warranty on new Taylor genuine replacement components and parts available from Taylor to the market generally (the "Parts") to the original purchaser only.

LIMITED WARRANTY

Taylor warrants the Parts against failure due to defect in materials or workmanship under normal use and service as follows. All warranty periods begin on the date of original installation of the Part in the Taylor unit. If a Part fails due to defect during the applicable warranty period, Taylor, through an authorized Taylor distributor or service agency, will provide a new or re-manufactured Part, at Taylor's option, to replace the failed defective Part at no charge for the Part. Except as otherwise stated herein, these are Taylor's exclusive obligations under this limited warranty for a Part failure. This limited warranty is subject to all provisions, conditions, limitations and exclusions listed below and on the reverse (if any) of this document.

Part's Warranty Class Code or Part	Limited Warranty Period
Class 103 Parts ¹	Three (3) months
Class 212 Parts ²	Twelve (12) months
Class 512 Parts	Twelve (12) months
Class 000 Parts	No warranty
Taylor Part #072454 (Motor- 24VDC *C832/C842*)	Four (4) years

LIMITED WARRANTY CONDITIONS

1. If the date of original installation of the Part cannot be otherwise verified, proof of purchase may be required at time of service.
2. This limited warranty is valid only if the Part is installed and all required service work in connection with the Part is performed by an authorized Taylor distributor or service agency.
3. The limited warranty applies only to Parts remaining in use by their original owner at their original installation location in the unit of original installation.
4. Installation, use, care, and maintenance must be normal and in accordance with all instructions contained in the Taylor Operator's Manual.
5. Defective Parts must be returned to the authorized Taylor distributor or service agency for credit.
6. This warranty is not intended to shorten the length of any warranty coverage provided pursuant to a separate Taylor Limited Warranty on freezer or grill equipment.
7. The use of any refrigerant other than that specified for the unit in which the Part is installed will void this limited warranty.

^{1, 2} Except that Taylor Part #032129SER2 (Compressor-Air-230V SERV) and Taylor Part #075506SER1 (Compressor-Air-115V 60HZ) shall have a limited warranty period of twelve (12) months when used in Taylor freezer equipment and a limited warranty period of two (2) years when used in Taylor grill equipment.

LIMITED WARRANTY EXCEPTIONS

This limited warranty does **not** cover:

1. Labor or other costs incurred for diagnosing, repairing, removing, installing, shipping, servicing or handling of defective Parts, replacement Parts, or new Parts.
2. Normal maintenance, cleaning and lubrication as outlined in the Taylor Operator's Manual, including cleaning of condensers or carbon and grease buildup.
3. Required service, whether cleaning or general repairs, to return the cooking surface assemblies, including the upper platen and lower plate, to an operational condition to achieve proper cooking or allow proper assembly of release sheets and clips as a result of grease build-up on the cooking surfaces, including but not limited to the platen and plate, sides of the shroud or top of the shroud.
4. Replacement of cooking surfaces, including the upper platen and lower plate, due to pitting or corrosion (or in the case of the upper platen, due to loss of plating) as a result of damage due to the impact of spatulas or other small wares used during the cooking process or as a result of the use of cleaners, cleaning materials or cleaning processes not approved for use by Taylor.
5. Replacement of wear items designated as Class "000" Parts in the Taylor Operator's Manual, as well as any release sheets and clips for the Product's upper platen assembly.
6. External hoses, electrical power supplies, and machine grounding.
7. Parts not supplied or designated by Taylor, or damages resulting from their use.
8. Return trips or waiting time required because a service technician is prevented from beginning warranty service work promptly upon arrival.
9. Failure, damage or repairs due to faulty installation, misapplication, abuse, no or improper servicing, unauthorized alteration or improper operation or use as indicated in the Taylor Operator's Manual, including but not limited to the failure to use proper assembly and cleaning techniques, tools, or approved cleaning supplies.
10. Failure, damage or repairs due to theft, vandalism, wind, rain, flood, high water, water, lightning, earthquake or any other natural disaster, fire, corrosive environments, insect or rodent infestation, or other casualty, accident or condition beyond the reasonable control of Taylor; operation above or below the gas, electrical or water supply specification of the unit in which a part is installed; or Parts or the units in which they are installed repaired or altered in any way so as, in the judgment of Taylor, to adversely affect performance, or normal wear or deterioration.
11. Any Part purchased over the Internet.
12. Failure to start due to voltage conditions, blown fuses, open circuit breakers, or damages due to the inadequacy or interruption of electrical service.
13. Electricity, gas or other fuel costs, or increases in electricity or fuel costs from any reason whatsoever.
14. Damages resulting from the use of any refrigerant other than that specified for the unit in which the Part is installed will void this limited warranty.
15. Any cost to replace, refill or dispose of refrigerant, including the cost of refrigerant.
16. **ANY SPECIAL, INDIRECT OR CONSEQUENTIAL PROPERTY OR COMMERCIAL DAMAGE OF ANY NATURE WHATSOEVER.** Some jurisdictions do not allow the exclusion of incidental or consequential damages, so this limitation may not apply to you.

This limited warranty gives you specific legal rights, and you may also have other rights which vary from jurisdiction to jurisdiction.

LIMITATION OF WARRANTY

THIS LIMITED WARRANTY IS EXCLUSIVE AND IS IN LIEU OF ALL OTHER WARRANTIES, CONDITIONS AND/OR REMEDIES UNDER THE LAW, INCLUDING ANY IMPLIED WARRANTIES OR CONDITIONS OF MERCHANTABILITY OR FITNESS FOR A PARTICULAR PURPOSE. THE ORIGINAL OWNER'S SOLE REMEDY WITH RESPECT TO ANY PRODUCTS SHALL BE REPAIR OR REPLACEMENT OF DEFECTIVE PARTS UNDER THE TERMS OF THIS LIMITED WARRANTY. ALL RIGHTS TO CONSEQUENTIAL OR INCIDENTAL DAMAGES (INCLUDING CLAIMS FOR LOST SALES, LOST PROFITS, PRODUCT LOSS, PROPERTY DAMAGES OR SERVICE EXPENSES) ARE EXPRESSLY EXCLUDED. THE EXPRESS WARRANTIES MADE IN THIS LIMITED WARRANTY MAY NOT BE ALTERED, ENLARGED, OR CHANGED BY ANY DISTRIBUTOR, DEALER, OR OTHER PERSON, WHATSOEVER.

LEGAL REMEDIES

The owner **must** notify Taylor in writing, by certified or registered letter to the following address, of any defect or complaint with the Part, stating the defect or complaint and a specific request for repair, replacement, or other correction of the Part under warranty, mailed at least thirty (30) days before pursuing any legal rights or remedies.

Taylor Company
a division of Carrier Commercial Refrigeration, Inc.
750 N. Blackhawk Blvd.
Rockton, IL 61072, USA

Section 12

Parts List

DESCRIPTION	PART NUMBER	QTY.	WARR. CLASS	REMARKS	PARTS UPDATE
ACCUMULATOR A.-AW *5454*	X28376	1	103		
ADAPTOR-PUMP-CABINET	024259	1	103	(FACE PLATE)	
BEARING A.-HINGE	X20305	1	000	FOR MIX CABINET DOOR	
BEARING-FRONT	013116	1	000		
BEARING-REAR SHELL *NICK.PLATE	031324	1	000		
+GUIDE-DRIP SEAL	028992	1	000		
+NUT-BRASS BEARING	028991	1	000		
+WASHER-BEARING LOCK	012864	1	000		
BEATER A.-7QT-1 PIN-SUPPORT	X46233	1	103		
+BLADE-SCRAPER-PLASTIC 9-13/16L	046237	2	000		
+CLIP-SCRAPER BLADE	046238	2	103		
BELT-V-4L360	008093	2	000	J6054140/PRIOR	110
BELT-V-4L380	007098	2	000	J6054141/UP	110
BLADE A.-SPINNER	020112	3	103		
BLOCK-TERMINAL 2P	039422	2	103		
BLOCK-TERMINAL 3P	039423	2	103		
BLOCK-TERMINAL 5 POLE	024329	1	103		
BLOCK-TERMINAL-7 POLE	022606	3	103		
BOARD-LOGIC-GEN 2.6 W/SEL	X36641SER2	1	212	J6054141/UP	110
BOARD-POWER/RELAY-GEN 1&2 SHAKE	X34983-SER	1	212	J6054141/UP	110
BRACKET-Y HOLDER	022356	1	103		
BRUSH-DOUBLE ENDED-PUMP&FEED T	013072	1	000		
BRUSH-DRAW VALVE 1-1/2"OD X 3"	014753	1	000		
BRUSH-FEED TUBE 9/16ODX44 DA	021101	1	000		
BRUSH-MIX PUMP BODY-3"X7"WHITE	023316	1	000		
BRUSH-REAR BRG 1IN.DX2IN.LGX14	013071	1	000		
CABINET A.-INSULATED MIX*5454	X23839-SER	1	103		
CABLE-RIBBON-PWR/RELAY-18	032444	1	103	J6054141/UP	110
CAP-PUMP	021276-9	1	103	(PUMP COLLAR)	
+PIN-RETAINING	021276-8	1	103		
CAP-RESTRICTOR	021183	3	000		
CAPACITOR-RUN- 5UF 450 VOLT	054327	3	103	FOR SPINNER MOTOR - K0093250/ UP	153

+ Available Separately

090604

DESCRIPTION	PART NUMBER	QTY.	WARR. CLASS	REMARKS	PARTS UPDATE
CAPACITOR-START- 21-25UF/220V	020246	3	103	FOR SPINNER MOTOR - PRIOR TO K0093250	153
CASTER-SWV-3/4-10 ST. 3IN WHL	021279	4	103		
COMPRESSOR AEA0415ZXD-AE5	048627-27	1	512	AUX J6054141/UP	110
+RELAY-START-COMP.	050106-27	1	103	208/230-60-1	
COMPRESSOR AE3414A-AE121EL	029841-	1	512	AUX J6054140/PRIOR	110
+RELAY-START-COMP.	035772	1	103		
COMPRESSOR CS14K6E-PFV-238 (COPELAND)	052396-	1	512	MAIN J9053897/UP	143
+CAPACITOR-RUN 35UF/370V	029439	1	103	208/230-60-1	
+CAPACITOR-START 189-227UF/250V	053106	1	103	208/230-60-1	
+RELAY-START-COMP.	052401-27	1	103	208/230-60-1	
COMPRESSOR M65B163DBLA (BRISTOL)	048258-	1	512	MAIN J6054141 thru J9053896	110/143
+CAPACITOR-RUN	027087	1	103	208/230-60-1	
+CAPACITOR-START	039567	1	103	208/230-60-1	
+RELAY-START-COMP.	048150	1	103	208/230-60-1	
COMPRESSOR AH2511K-AH555ET (TECUMSEH)	023577-	1	512	MAIN J6054140/PRIOR	110
CAPACITOR RELAY ASSEMBLY	023725-27	1	103	SINGLE PHASE ONLY	
Includes:					
+CAPACITOR-RUN	023739	1	103		
+CAPACITOR-START	037785	1	103		
+RELAY-START-COMP.	023607-27	1	103		
COMPRESSOR-AIR	032129SER2	1	103		
CONDENSER-AC-18LX14H-3ROW	048629	1	103	MAIN	110
CONDENSER-AC-9X8 -2 ROW	029797	1	103	AUX	
CONTROL-PRESSURE-FAN	011163	1	103	J6054140/PRIOR	110
CONTROL-TEMPERATURE	027505	1	103	MIX CABINET J6054140/PRIOR	110
+BRACKET-TEMP. BULB	020389	1	103	(HOLDS PROBE)	
CONTROL-THERMISTOR	X46015-SER	1	103	J5064140/PRIOR	110
+KNOB-ALUMINUM	027422	1	103		
COUPLING A.-DOOR SPINNER-	X38311	3	103	J6054141/UP	110
+PIN-ROLL-.094D X .562L	015971	3	000		
COUPLING A.-DRIVE-SPINNER	X20329	3	103	J6054140/PRIOR	110

+ Available Separately

DESCRIPTION	PART NUMBER	QTY.	WARR. CLASS	REMARKS	PARTS UPDATE
+PIN-ROLL-.094D X .562L	015971	3	000		
COUPLING-DRIVE 3/4 HEX X 1-7/8	012721	1	103		
+SCREW-5/16-18 X 5/16 ALLEN SET	042511	2	000		
COUPLING-FLEXIBLE W/SCREWS	020108	3	103		
COVER A.-MIX TANK-SINGLE-SS	X38726	1	103		
COVER-MIX STORAGE-CENTER SGL	038827	1	103		
+BOOT-MIX COVER	037200	1	000		
CUP-DIVIDED SYRUP	017203	1	000		
DECAL-CLEAN INST.-CABINET	024735	1	000		
DECAL-DEC *5454*SOFTECH	049730	1	000	J6054141/UP	110
DECAL-DEC-TAYLOR	021872	1	000	J6054140/PRIOR	110
DECAL-FLAVOR COLOR SET '4'	022105	1	000		
DECAL-MIX REF. ON-OFF	021665	1	000	J6054140/PRIOR	110
DECAL-MIX TANK	022138	1	000		
DECAL-SW-POWER-SYMBOL	032484	1	000	*USE 052632 LABEL	110
DECAL-SET 4 SYRUP FLAVOR	021523	1	000		
DECAL-SYRUP FLAVOR INSTRUCTION	020997	1	000		
DECAL-TROUBLESHOOTING	038374	1	000		
DECAL-WASH-AUTO-PRIME	024759	1	000	J6054140/PRIOR	110
DIAGRAM-WIRING *5454*	030437-	1	000	J6054140/PRIOR	110
DIAGRAM-WIRING*5454*SOFTECH	049784-	1	000	J6054141/UP	110
DOOR A.-3 SPOUT SHAKE	X38815-SER	1	103		
+GASKET-DOOR 5.177ID X 5.938OD	016672	1	000		
+HANDLE-DRAW VALVE	026952	3	103		
+BUTTON-BROWN	021225-2	1	000		
+BUTTON-PLAIN	021225	1	000		
+BUTTON-SCARLET	021225-1	1	000		
+PIN A.-PIVOT	X21781	1	103		
+O-RING-5/16 OD X .070W	016272	1	000		
+PLUG-PRIME	028805	1	103		
+O-RING-3/8 OD X .070W	016137	2	000		
+VALVE A.-DRAW	X20152	3	103		
+O-RING-1-1/16 OD X.139W	020571	9	000		

+ Available Separately

DESCRIPTION	PART NUMBER	QTY.	WARR. CLASS	REMARKS	PARTS UPDATE
DOOR A.-INSULATED MIX CABINET	X22178	1	103		
+GASKET-MIX DOOR	020134	1	000		
+HINGE-SELF CLOSING DOOR	020143	1	103		
+PIN A.-UPPER HINGE	X20315	1	103		
+PLATE-LOWER HINGE	020323	1	103		
DRYER-TWO CAP TUBES	049346	1	000	MIX CABINET J6054141/UP	110
DRYER-CAP. TUBE-R12/502	030940	1	000	MIX CABINET J6054140/PRIOR	110
DRYER-FILTER-HP62-3/8 X 1	048901	1	000	J6054141/UP	110
DRYER-FILTER 3/8FL IN 1/4FLOUT	026270	1	000	J6054140/PRIOR	110
DVD-OPS TRAIN VIDEO *5454*	041143-DVD	1	000		
EVAPORATOR-12L X 4H X 1-7/8T	X30939	1	103	MIX CABINET	
FAN-EVAPORATOR 2900RPM-18W/60H	028534-	2	103	MIX CABINET	
+GUARD-FAN	028534-1	2	103	MIX CABINET	
FUNNEL-MIX	036637	1	103		
FUSE-15 AMP CARTRIDGE	027582	4	000		
GEAR A.*REDUCER	021286-SER	1	212		
GUARD-BELT L. *454-8-752*	026519	1	103	J6054140/PRIOR	110
GUARD-BELT R. *454-8-752*	026521	1	103	J6054140/PRIOR	110
GUARD-FAN *5454-8752*AIR*	029090	1	103	J6054140/PRIOR - NO LONGER AVAILABLE	110
GUIDE A.-DRIP PAN *5454-5458*	X28637	1	103		
HOLDER-FUSE 300 VOLT PANEL MT.	027581	2	103		
HOOD *5454*	049810	1	103	J6054141/UP	110
HOOD *INTO A.*8752-5454-5455*	022064	1	103	J6054140/PRIOR - NO LONGER AVAILABLE	110
KIT A.-TUNE UP*5454-8657*COAX	X36568	1	000		
BEARING-FRONT	013116	1	000		
CAP-RESTRICTOR	021183	3	000		
GASKET-DOOR 5.177ID X 5.938OD	016672	1	000		
O-RING-1-1/16 OD X.139W	020571	9	000		
O-RING-1-3/8 OD X .103W	018664	1	000		
O-RING-1/2OD X .070W	024278	6	000		
O-RING-13/16 OD X .139W	021278	1	000		
O-RING-2-1/8 OD X .139W	020051	3	000		
O-RING-3/8 OD X .070W	016137	2	000		

+ Available Separately

DESCRIPTION	PART NUMBER	QTY.	WARR. CLASS	REMARKS	PARTS UPDATE
O-RING-5/16 OD X .070W	016272	1	000		
O-RING-5/8 OD X .103W	016030	3	000		
RING-CHECK 1-1/4 OD X 3/8	033215	1	000		
RING-CHECK 2 IN OD X 1/2	020050	2	000		
SEAL-DRIVE SHAFT	032560	1	000		
TOOL-O-RING REMOVAL	048260-WHT	1	000		
LABEL-1/4 X 1-1/2 LONG-BROWN	022710	1	000		
LABEL-1/4 X 1-1/2 LONG-RED	022707	1	000		
LABEL-1/4 X 1-1/2 LONG-WHITE	022709	1	000		
LABEL-DRAW 1 SHAKE AT A TIME	025310	1	000		
LABEL-DOOR-WARN-MOVE PARTS	032749	1	000		
LABEL-MIX COOLING ADJ.	020217	1	000	J6054140/PRIOR	110
LABEL-MIX PUMP RESET	022723	1	000		
LABEL-SW-POWER-OFF/ON-SYMBOLS	052632	1	000		
LABEL-TEMP. ADJ. COLDER	029056	1	000	J6054140/PRIOR	110
LABEL-WARM-COLD	013749	1	000	J6054141/U/P	110
LABEL-WARN-COVER	051433	6	000		
LIGHT-DOUBLE INDICATOR	020141-27	1	103	J6054140/PRIOR	110
LIGHT-INDICATOR-ORANGE-ROUND	017450	1	103	J6054140/PRIOR	110
LINE A.-FLARE	038299	1	103		
LINE A.-SYRUP-BRN-120IN	X30059-120	1	103	TO SYRUP TANK	
FERRULE-.475 ID NP BRASS	021082	2	000		
NYLON-SPIRAL WRAP-BROWN-5"	022362-2	1	000	BULK UNDER P/N R40338	
O-RING-1/2OD X .070W	024278	1	000		
PLUG-Q.D. SYRUP 90DEG STNL	024848	1	103		
SOCKET-Q.D. LIQ.-90DEG-1/4BARB	021026	1	103		
TUBE-NYLOGRADE 1/4ID X 7/16OD	020568-120	1	000	BULK UNDER P/N R30317	
LINE A.-SYRUP-RED-120IN	X30072-120	1	103	TO SYRUP TANK	
FERRULE-.475 ID NP BRASS	021082	2	000		
NYLON-SPIRAL WRAP-RED-5"	022362-1	1	000	BULK UNDER P/N R40337	
O-RING-1/2OD X .070W	024278	1	000		
PLUG-Q.D. SYRUP 90DEG STNL	024848	1	103		
RESTRICTOR-SYRUP	025816	1	000		

+ Available Separately

DESCRIPTION	PART NUMBER	QTY.	WARR. CLASS	REMARKS	PARTS UPDATE
SOCKET-Q.D. LIQ.-90DEG-1/4BARB	021026	1	103		
TUBE-NYLOBRADE 1/4ID X 7/16OD	020568-120	1	000	BULK UNDER P/N R30317	
LINE A.-SYRUP-WHT-120IN	X30060-120	1	103	TO SYRUP TANK	
FERRULE-.475 ID NP BRASS	021082	2	000		
NYLON-SPIRAL WRAP-WHITE-5"	022362	1	000	BULK UNDER P/N R40320	
O-RING-1/2OD X .070W	024278	1	000		
PLUG-Q.D. SYRUP 90DEG STNL	024848	1	103		
RESTRICTOR-SYRUP	025816	1	000		
SOCKET-Q.D. LIQ.-90DEG-1/4BARB	021026	1	103		
TUBE-NYLOBRADE 1/4ID X 7/16OD	020568-120	1	000	BULK UNDER P/N R30317	
LUBRICANT-TAYLOR 4 OZ.	047518	1	000		
MAN-OPER 5454	028765-M	1	000		
MOTOR A.-SPINNER W/PLUG	X54329-27	3	103	K0093250/ UP - REPLACES X22635-27	153
+CAPACITOR-RUN 5UF/450V	054327	3	103		
+RELAY-DPDT-20A-120/240/277V	026581-27	1	103		
CONNECTOR-MATE LOCK 4 CIR-PI	500534	1	103		
MOTOR-1/5 HP 3050 RPM	054328-27	1	103		
PIN-.084 OD/14-20 AWG-STRIP	021624	4	103		
MOTOR-1.0 HP	013102-27	1	212	208-230V 60HZ 1PH - BEATER MOTOR	
MOTOR-1.0 HP	013102-33			208-230V 60HZ 3PH	
MOTOR-FAN 80 WATT	051744-27	1	103	MAIN CONDENSER - J9053897/UP	143
+CAPACITOR-RUN - 4UF-440V	051785	1	103	J9053897/UP	143
+FAN-5 BLADE 12"PUSH 32DEG CCW	047279	1	103	J9053897/UP	143
MOTOR-FAN 120 W 208/230V (HP62) (OLD)	041401-27	1	103	MAIN CONDENSER - J6054141 thru J9053896	110/143
+CAPACITOR-RUN - 4UF-370V (HP62)	019624	1	103	J6054141 thru J9053896	143
+FAN-5 BLADE 12"PUSH 32DEG CCW	047279	1	103	J6054141 thru J9053896	143
MOTOR-FAN 35W-40"LEADS (OLD)	027817-	1	103	MAIN CONDENSER J6054140/PRIOR	
+FAN-4 BLADE 11 " PUSH 30DEG CW	027818	1	103		
MOTOR-FAN 9 WATT 1550 RPM CW (HP62)	012768-27	1	103	AUX CONDENSER J6054141/UP	110
+FAN-5 BLADE 7 " PUSH 30DEG CW	016289	1	103	(Replaces 027019 - K0014116)	151
MOTOR-FAN 105CFM 3000RPM (OLD)	027309-	1	103	AUX CONDENSER J6054140/PRIOR	110
MOTOR-REDUCER 108RPM-SHK	030914-27	1	103		
+RELAY-MOTOR START	020053-27	1	103	BISON - 60HZ	

+ Available Separately

DESCRIPTION	PART NUMBER	QTY.	WARR. CLASS	REMARKS	PARTS UPDATE
+OVERLOAD RESET	020052-27	1	103	BISON - 50/60HZ	
+NUT-OVERLOAD RESET	045026	1	000	BISON - 50/60HZ	
NUT-STUD *GENERAL USAGE*	021508	4	103	(HANDSCREWS)	
PAIL-MIX 10 QT.	013163	2	000		
PAN A.-DRIP *5454-5458*	X32382	1	103		
PAN-DRIP 11-5/8 LONG	027503	1	103		
PANEL A.-FRONT *5454*SOFTECH	X49780	1	103	J6054141/UP	110
PANEL A.-FRONT *5454*	X27280	1	103	J6054140/PRIOR - NO LONGER AVAILABLE	110
PANEL A.-LOWER SIDE	X23956-SER	2	103		
PANEL-LOWER REAR *5454-8752*	025128	1	103		
PANEL-UPPER REAR *454-8-752*	022074	1	103	J6054140/PRIOR	110
PANEL-UPPER REAR *5454*	049811	1	103	J6054141/UP	110
PANEL-UPPER SIDE L. *5454-8657	028638	1	103		
PANEL-UPPER SIDE R. *5454-5458*	028639	1	103		
PCB A.-DUAL MIX LVL/CONT. FILL	X41420-SER	1	212	J6054140/PRIOR	110
PLATE-DEC-454-5-8*	027175	1	103	J6054140/PRIOR - NO LONGER AVAILABLE	110
PLATE-DEC. *5454*SOFTECH	049782	1	103	J6054141/UP	110
PLUG-SYRUP HOLE	026278	4	000		
+O-RING-1/20D X .070W	024278	3	000		
PLUG-DRIP TRAY HOLE	029595	1	000		
PLUG-Q.D. CO2 1/8 MP	021077	3	103		
PLUG-Q.D. LIQ. 3/4-18 FP	021081	3	103		
PROBE A.-MIX *MASTER CONTROL*	X32554	1	103	H7041824/PRIOR (MIX LEVEL)	8
PROBE A.-MIX-W/BALL CONNECTORS	X35981	1	103	H7041824/UP (MIX LEVEL)	8
PROBE A.-THERMISTOR	X31602	1	103	J6054141/UP (FREEZING CYLINDER)	110
PROBE A.-THERMISTOR	X36267	1	103	MIX CABINET	
PULLEY-2AK25 X .6255-.6265	021076	1	103	BEATER MOTOR	
PULLEY-2AK64-5/8 BORE	039695	1	103	GEAR	
PUMP A.-COAX *SHAKE*A*	X33450	1	103		
BODY A.-COAX VALVE *SHAKE*A*	X33451	1	103		
CYLINDER A.-PUMP	022345-1	1	103		
ELBOW-INLET 90 DEG.	022502-4	1	103		
O-RING-1-3/8 OD X .103W	018664	1	000		

+ Available Separately

DESCRIPTION	PART NUMBER	QTY.	WARR. CLASS	REMARKS	PARTS UPDATE
O-RING-13/16 OD X .139W	021278	1	000		
O-RING-2-1/8 OD X .139W	020051	3	000		
PIN-RETAINING	021276-8	1	103		
PISTON-COAX PUMP *A* WHITE	032733	1	103		
POPPET-RUBBER-BLACK	022473	1	000		
RING-CHECK 1-1/4 OD X 3/8	033215	1	000		
RING-CHECK 2 IN OD X 1/2	020050	2	000		
SPRING-TAPERED 1-7/8L	022456	1	103		
RELAY-3 POLE-20A-208/240 50/60	012725-33	2	103	MAIN COMPRESSOR	
RELAY-3PDT-10A-208/240V	023845-27	3	103	FAN MOTORS J6054140/PRIOR	110
RELAY-OVERLOAD BLOCK	014394-	1	103	J6029999/PRIOR	
RELAY-OVERLOAD 1 PHASE 4.5-7.5 AMP	049651-27K	1	103	J6030000/UP - 1 PHASE	
RELAY-OVERLOAD 3 PHASE 2.0-3.3 AMP	049651-33H	1	103	J6030000/UP - 3 PHASE	
RELAY-SPINNER MOTOR-1/2HP-230V	016006-27	3	103	SPINNER MOTOR	
REGULATOR A.-REMOTE	X23969	1	103		
LINE A.-AIR	X24382-96	1	103		
ADAPTOR-SWV 1/4F 1/4BARB*SS*	016715	2	103		
FERRULE-.475 ID NP BRASS	021082	2	000		
TUBE-NYLOBRADE 1/4ID X 7/16OD	020568-96	1	000	BULK UNDER P/N R30317	
LINE A.-AIR *18 INCH	X23997	1	103		
ADAPTOR-SWV 1/4F 1/4BARB*SS*	016715	1	103		
FERRULE-.475 ID NP BRASS	021082	2	000		
SOCKET-Q.D. CO2 90DEG 1/4BARB	021524	1	103		
TUBE-NYLOBRADE 1/4ID X 7/16OD	020568-18	1	000	BULK UNDER P/N R30317	
LINE A.-AIR *30 INCH	X24018	1	103		
ADAPTOR-SWV 1/4F 1/4BARB*SS*	016715	1	103		
FERRULE-.475 ID NP BRASS	021082	2	000		
SOCKET-Q.D. CO2 90DEG 1/4BARB	021524	1	103		
TUBE-NYLOBRADE 1/4ID X 7/16OD	020568-30	1	000	BULK UNDER P/N R30317	
LINE A.-AIR *24 INCH	X24309	1	103		
ADAPTOR-SWV 1/4F 1/4BARB*SS*	016715	1	103		
FERRULE-.475 ID NP BRASS	021082	2	000		
SOCKET-Q.D. CO2 90DEG 1/4BARB	021524	1	103		
TUBE-NYLOBRADE 1/4ID X 7/16OD	020568-30	1	000	BULK UNDER P/N R30317	
LINE A.-AIR *24 INCH	X24309	1	103		
ADAPTOR-SWV 1/4F 1/4BARB*SS*	016715	1	103		
FERRULE-.475 ID NP BRASS	021082	2	000		
SOCKET-Q.D. CO2 90DEG 1/4BARB	021524	1	103		
TUBE-NYLOBRADE 1/4ID X 7/16OD	020568-30	1	000	BULK UNDER P/N R30317	
LINE A.-AIR *24 INCH	X24309	1	103		
ADAPTOR-SWV 1/4F 1/4BARB*SS*	016715	1	103		
FERRULE-.475 ID NP BRASS	021082	2	000		
SOCKET-Q.D. CO2 90DEG 1/4BARB	021524	1	103		

+ Available Separately

DESCRIPTION	PART NUMBER	QTY.	WARR. CLASS	REMARKS	PARTS UPDATE
TUBE-NYLOBRAD 1/4ID X 7/16OD	020568-24	1	000	BULK UNDER P/N R30317	
MANIFOLD A.-REGULATOR *454-657	X23994	1	103		
DECAL-FLAVOR COLOR SET '4'	022105	1	000		
GAUGE-PRESSURE 0-60 LBS 1/8MPT	021029	3	103		
MANIFOLD A. *5454-5-8657*	X25293	1	103		
NIPPLE-1/8 MPT CLOSE BRASS	020519	4	000		
REGULATOR-PRESSURE	020514	4	103		
RESTRICTOR A.-AIR *347-454-5-6	X21161	1	103		
TEE-1/8MPT X 1/8FPT X 1/4MFL	028245	3	000		
VALVE-PRESS.RELIEF-45# 1/8MP	021148	1	103		
NYLON-SPIRAL WRAP-BROWN-5"	022362-2	1	000	BULK UNDER P/N R40338	
NYLON-SPIRAL WRAP-RED-5"	022362-1	1	000	BULK UNDER P/N R40337	
NYLON-SPIRAL WRAP-WHITE-5"	022362	1	000	BULK UNDER P/N R40320	
WASHER-1/4 FLARE-NYLON	018595	4	000		
SAMPLER-SYRUP	024874	1	000		
SANITIZER KAY-5 125 PACKETS	041082	1	000		
SHAFT-BEATER	033235	1	103		
+SEAL-DRIVE SHAFT	032560	1	000		
SHELL A.-INSULATED*5454-8657*	X23801-SER	1	512		
STUD-UPPER FREEZER	023909	2	103		
STUD-LOWER FREEZER *454-5-657*	023910	2	103		
SHIELD-SPLASH *5454-8-752-336*	022765	1	103		
SHROUD A.-EVAPORATOR	X49124	1	103	MIX CABINET J6054141/UP	110
SHROUD A.-EVAPORATOR	X21983	1	103	MIX CABINET J6054140/PRIOR	110
SOCKET A.-PROBE*BALL&SOCK*60IN	X36615	1	103	H7041824/UP	8
CLIP-BALL CONNECTOR	035813	3	000	H7041824/UP	8
SCREW-5-40 X 1/4 SOCKET CAP SS	037843	3	000	H7041824/UP	8
SOCKET A.-PROBE *MASTER CONTROL*	X32550	1	103	H7041824/PRIOR	8
JACK-BANANA PROBE	033311	3	000	H7041824/PRIOR	8
SWITCH A.-DRAW	X49831-SER	3	103	J6054141/UP	110
BEARING-SWITCH	029244	2	000		
BRACKET A.-DRAW SWITCH	X38334	1	103		
E-RING-5/16	027216	1	000		

+ Available Separately

DESCRIPTION	PART NUMBER	QTY.	WARR. CLASS	REMARKS	PARTS UPDATE
INSULATOR-ARMITE-2 HOLE-NOTC	027218	3	000		
NUT-PUSH ON-1/2DIA. SHAFT	039735	2	000		
ROD-DRAW *456-8-9-662*	027221	1	103		
SCREW-4-40 X 5/8 RHM-ZP STEE	027219	2	000		
SCREW-4-40X1 RH HD STEEL-ZP	028890	2	000		
SPRING-COMP.720.X.055X2.0-SS	035601	1	103		
SWITCH-ACTUATOR	035609	1	103		
SWITCH-LEVER-SPDT-15A-125-25	027214	3	103		
SWITCH-PRESSURE-240V, 2HP	063944-C	1	103	AIR COMPRESSOR - REPLACES 016308	
SWITCH-PRESSURE	052663	1	103	HIGH PRESSURE CUT OUT - J9053897/UP	143
SWITCH-PRESSURE	048230	1	103	HIGH PRESSURE CUT OUT J6054141 - J9053896	110
SWITCH-PRESSURE	025749	1	103	HIGH PRESSURE CUT OUT J6054140/PRIOR	110
SWITCH-ROCKER-4 PDT	020824	1	103	WASH-OFF-AUTO J6054140/PRIOR	110
+CARD-WASH-OFF-AUTO	014091	1	000	J6054140/PRIOR	110
SWITCH-TOGGLE-DPDT*ON-NON	024295	1	103	J6054141/UP	110
SWITCH-TOGGLE-SPDT-MOM.-ON	015714	1	103	PRIME SWITCH J6054140/PRIOR	110
SWITCH-TOGGLE-SPST	012626	1	103	MIX REFRIGERATION SWITCH J6054140/PRIOR	110
TANK-MIX-15 GALLON-PLASTIC	020275	1	103		
TANK-SYR-8 QT W/INLET FITTING & COVER	035759	3	103		
COVER-SYRUP TANK W/INLET FITTING	035759-1	3	103	INCLUDED W/TANK	
DECAL-SYRUP TANK INSTRUCTION	045533-1	3	000		
GASKET	016037	3	000	FOR COVER	
O-RING	018550	3	000	FOR DIP TUBE	
TIP-NYLON *SMALL* GRAY	024261	6	000	DUAL SUPPLIER - ORDER AS NEEDED	
TIP-NYLON *LARGE* WHITE	042747	6	000	DUAL SUPPLIER - ORDER AS NEEDED	
TUBE-DIP - 8 QT	020577-4	3	103		
TEE-ACCESS 1/2" W/5344 CORE	026688	1	103		
TIMER-CYCLE-15 MIN. 1 CAM	023863-27	1	103	J6054140/PRIOR	110
TOOL-LIQ.VALVE BODY EXTRACTING	035793	1	000		
TRANS.-240V PR1/24V SEC 10 VA	030132-27	1	103	J6054140/PRIOR	110
TRAY-DRIP 16-7/8L X 5-1/8	020157	1	103		
TRAY-PARTS-BARREL-3SPT SHK	025227	1	000		
TRAY-PARTS-PUMP-COAX-SGL	041522	1	000		

+ Available Separately

DESCRIPTION	PART NUMBER	QTY.	WARR. CLASS	REMARKS	PARTS UPDATE
TRIM A.-SHELF *5454-8752*	X20426	1	103	BELOW SPLASH SHIELD	
TRIM A.-SIDE *657-756*	X22424	2	103	J6054141/UP	110
TRIM A.-UPPER SIDE *5454-8752*	X22423	2	103	J6054140/PRIOR	110
TRIM-BOTTOM MIX DOOR	024974	1	103		
TRIM-CORNER	022013	2	103	J6054141/UP	110
TRIM-FRONT LEFT	024824-SP	1	103		
TRIM-FRONT RIGHT	024825	1	103		
TRIM-MIX DOOR *454-8-752*	024976	1	103	TOP	
TRIM-REAR CORNER *5454-8752*	022071	2	103	J6054140/PRIOR	110
TUBE A.-MIX INLET-SHAKE	X23825	1	103		
+O-RING-13/16 OD X .103W	019330	1	000		
+SEAL-INLET TUBE	032886	1	000		
TUBE A.-SUCTION *22 INCH*	X20450	1	103		
+COUNTERWEIGHT-SUCTION TUBE	020452	1	103		
+TUBE-VINYL 5/8 ID X 1/8 WALL	020945-22	1	000		
TUBE-VINYL 1/4ID X 1/16WALL	020941-	15ft	000	BULK UNDER P/N R30312	
VALVE-ACCESS 1/4 X 3/8 SOLDER	029406	1	103	AUX LS	110
VALVE-ACCESS 1/4FL X 3/8S	044455	1	103	J6054141/UP - MAIN LS	110
VALVE-ACCESS 1/4FL X 3/8 SOLDER	043232	1	103	J6054140/PRIOR	110
VALVE-ACCESS-1/4 MFL X 1/4S - 90	047016	1	103	J6054141/UP - MAIN HS	110
VALVE-ACCESS-1/4 FL X 1/4 SOLDER	044404	1	103	EPR VALVE	
VALVE-CHECK 1/4MP	020959	1	103	FOR AIR COMPRESSOR	
VALVE-EPR 1/4S	022665	1	103	SUCTION LINE - MIX CABINET	
VALVE-EXP-AUTO-1/4S X1/4	046365	1	103	J6054141/UP	110
VALVE-EXP-AUTO-1/4MF X 1/4 FPT	037392	1	103	J6054140/PRIOR	110
+BOOT-EXPANSION VALVE	027137	1	000		
VALVE-REGULATOR CPR 5/8S	025780	1	103		
VALVE-SHUTOFF 1/8 F.P.BRASS	024660	1	103		
VARISTOR A.-SLEEVE TERMINAL	X31547	1	103	J6054140/PRIOR	110

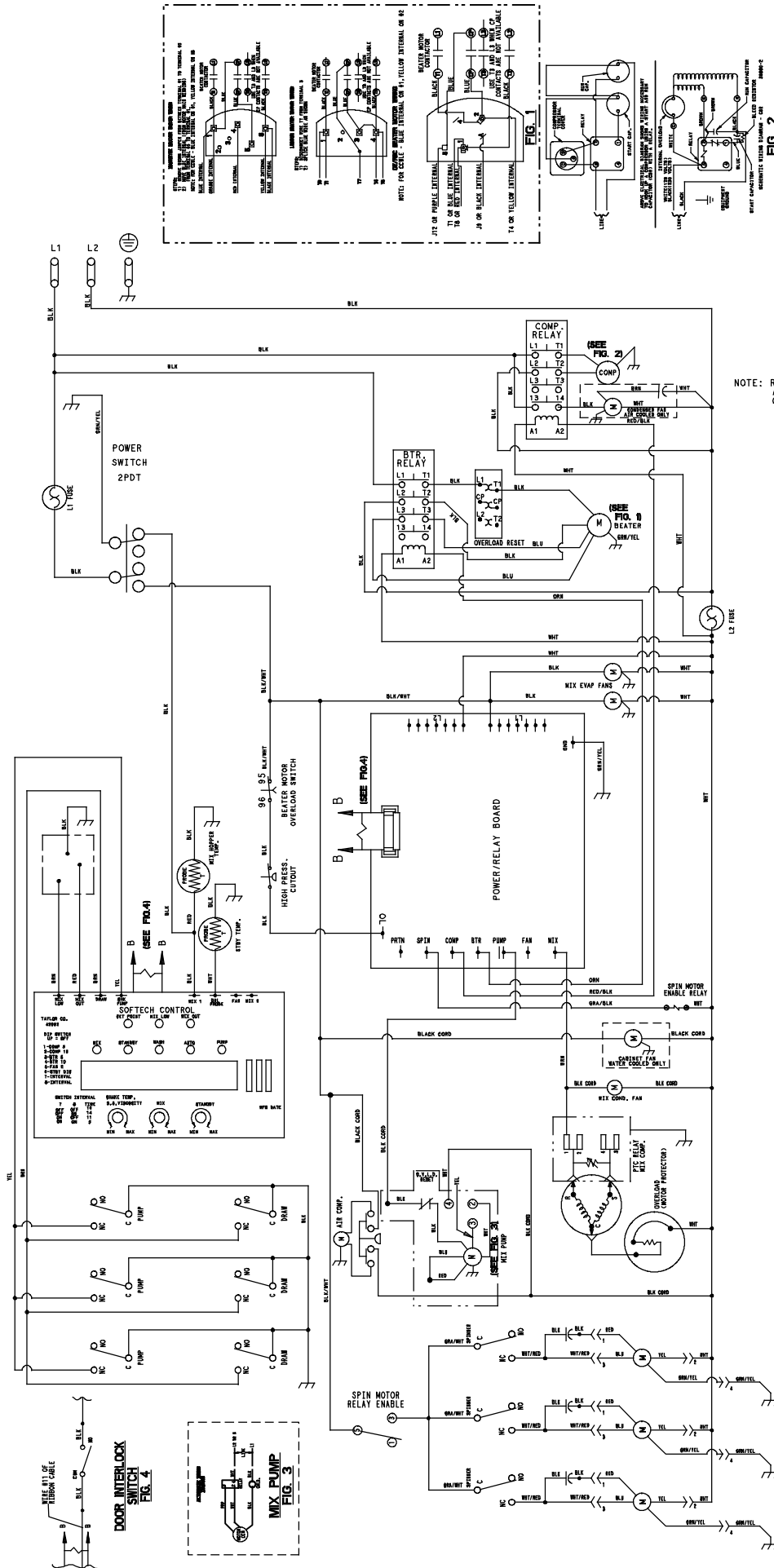
+ Available Separately

DESCRIPTION	PART NUMBER	QTY.	WARR. CLASS	REMARKS	PARTS UPDATE
WATER COOLED					
ACCUMULATOR-COPPER 2"DIA 10"	047062	1	103	J6054141/UP	
CONDENSER-WC-COAX	048287	1	103		
HOSE-RUBBER 1/2" ID X 7/8"OD	R50200	12'	000		
+CLAMP-HOSE 7/8-EAR-ZINC PLATE	043891	4	000		
MOTOR-FAN 9 WATT 1550RPM-CW	012768-27	2	103	J6054141/UP - MAIN & AUX CONDENSER	110
+FAN-5 BLADE 7 " PUSH 30DEG CW	016289	2	103	J6054141/UP	110
MOTOR-FAN-25W	015184-27	1	103	J6054140/PRIOR - MAIN CONDENSER	110
+FAN-5 BLADE 10" PUSH	013043	1	103	J6054140/PRIOR	110
SWITCH-PRESSURE 350 PSI-SOLDER	048231	1	103	J6054141/UP	110
VALVE-WATER 3/8 REG/HEAD PRESS	046686	1	103	J6054141/UP	110
+BRACKET-VALVE-WATER MOUNT	038777	1	103	038778 SCREW	
VALVE-WATER-3/8REG/HED	008363	1	103	J6054140/PRIOR	110
50 Hz (380-415V 50HZ 3N~)					
BELT-V-4L380	007098	2	000		
BLOCK-TERMINAL 4P L1,L2,L3,N	039424	1	103		
BLOCK-TERMINAL 5P 20A, 300V	024329	1	103		
BLOCK-TERMINAL-7 POLE GREEN	025156	1	103		
CABLE-RIBBON-PWR/RELAY-18 IN	032444	1	103		
COMPRESSOR AEA0415ZXC-AE580JT	048627-40	1	512	380-415V 50HZ 3N~ AUX - J6054141/UP	
+RELAY-START-COMP.	050107-40	1	103		
COMPRESSOR CS14K6E-TFD-238	052396-58	1	512	380-415V 50HZ 3N~	
DIAGRAM-WIRING*5454*SOFTECH	049784-58	1	000	380-415V 50HZ 3N	
FUSE-15 AMP CARTRIDGE	027582	1			
MOTOR-1.0 HP	013102-35	1		380-415V 50HZ 3N~	
MOTOR-REDUCER 108RPM-SHK	030914-34S	1			
MOTOR-FAN 100W 220-240V 5	047178-34	1			
+CAPACITOR-RUN 4UF/370V	019624	1			
PULLEY-2AK30 - .625-.6265	010052	1	103		
RELAY-OVRD-3PHASE-1.4-2.3 AMP	049651-33G	1	103		
SWITCH-PRESSURE-240V, 3HP	063944-C	1	103	AIR COMPRESSOR	

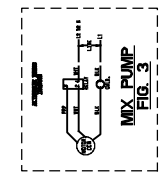
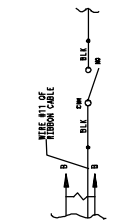
+ Available Separately

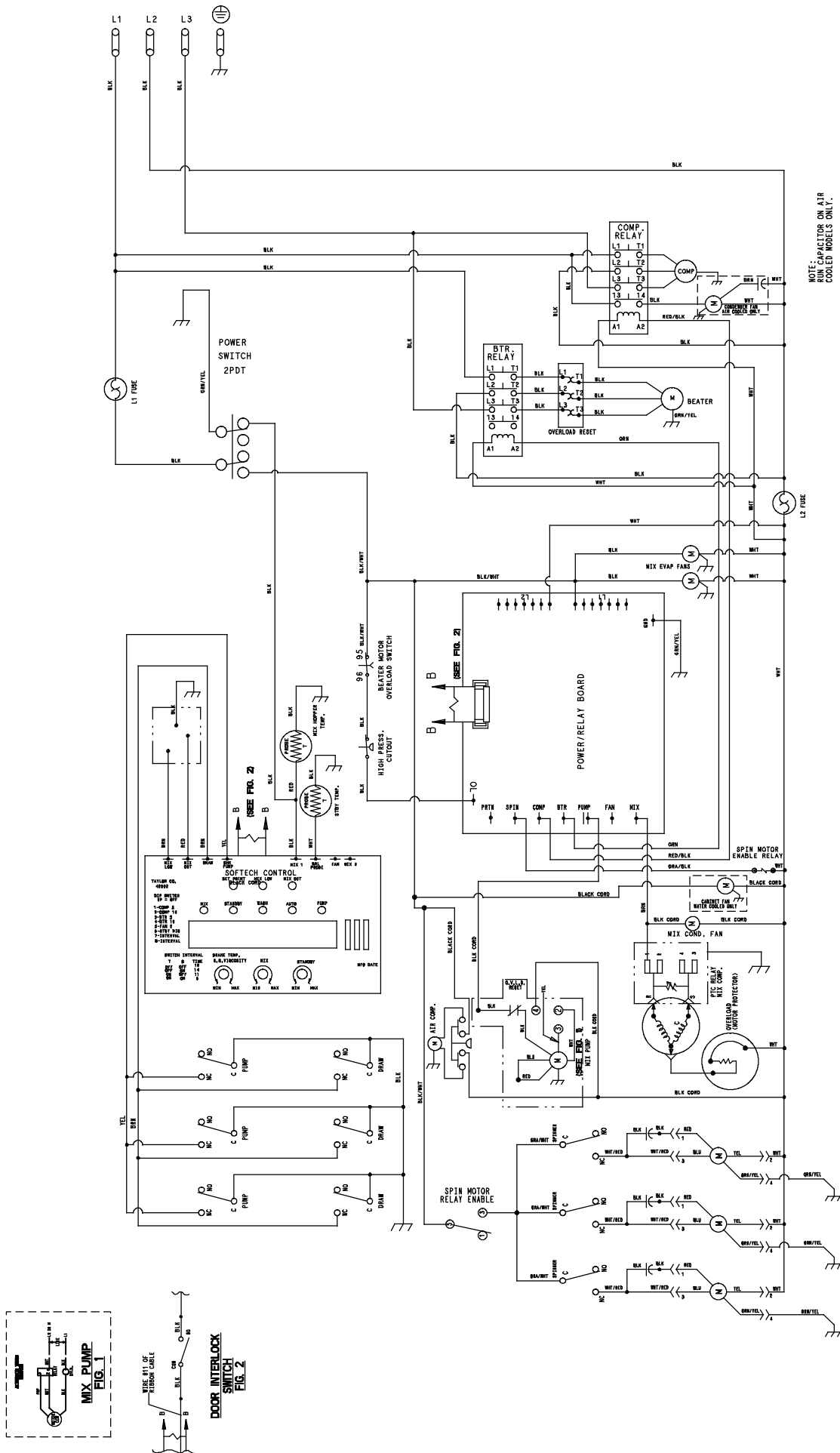
DESCRIPTION	PART NUMBER	QTY.	WARR. CLASS	REMARKS	PARTS UPDATE
ACCESSORIES					
CABINET A.-SYRUP *HORZ*3 TANK*	X24649	1	103		
DECAL-SYRUP FLAVOR INSTRUCTION	020997	1	000		
DOOR A.-SYRUP CABINET *HORZ*3	X24656	1	103		
GROMMET-1-3/4 X 1-1/2	020509	1	000		
HANDLE-STNLS FLUSH PULL	019043	1	103		
HINGE	018124	2	103		
LEG-4"-3/8-16 STUD-PLASTIC	024755	4	103		
CABINET A.-SYRUP *VERT*3 TANK*	X27122	1	103		
DECAL-SYRUP FLAVOR INSTRUCTION	020997	1	000		
DOOR A.-SYRUP CABINET *VERT*3	X27129	1	103		
GROMMET-1-3/4 X 1-1/2	020509	4	000		
HINGE	018124	3	103		
LATCH-FLUSH	022359	1	103		
LEG-4"-3/8-16 STUD-PLASTIC	024755	4	103		
SHELF-BOTTOM *454-657*	027128	1	103		

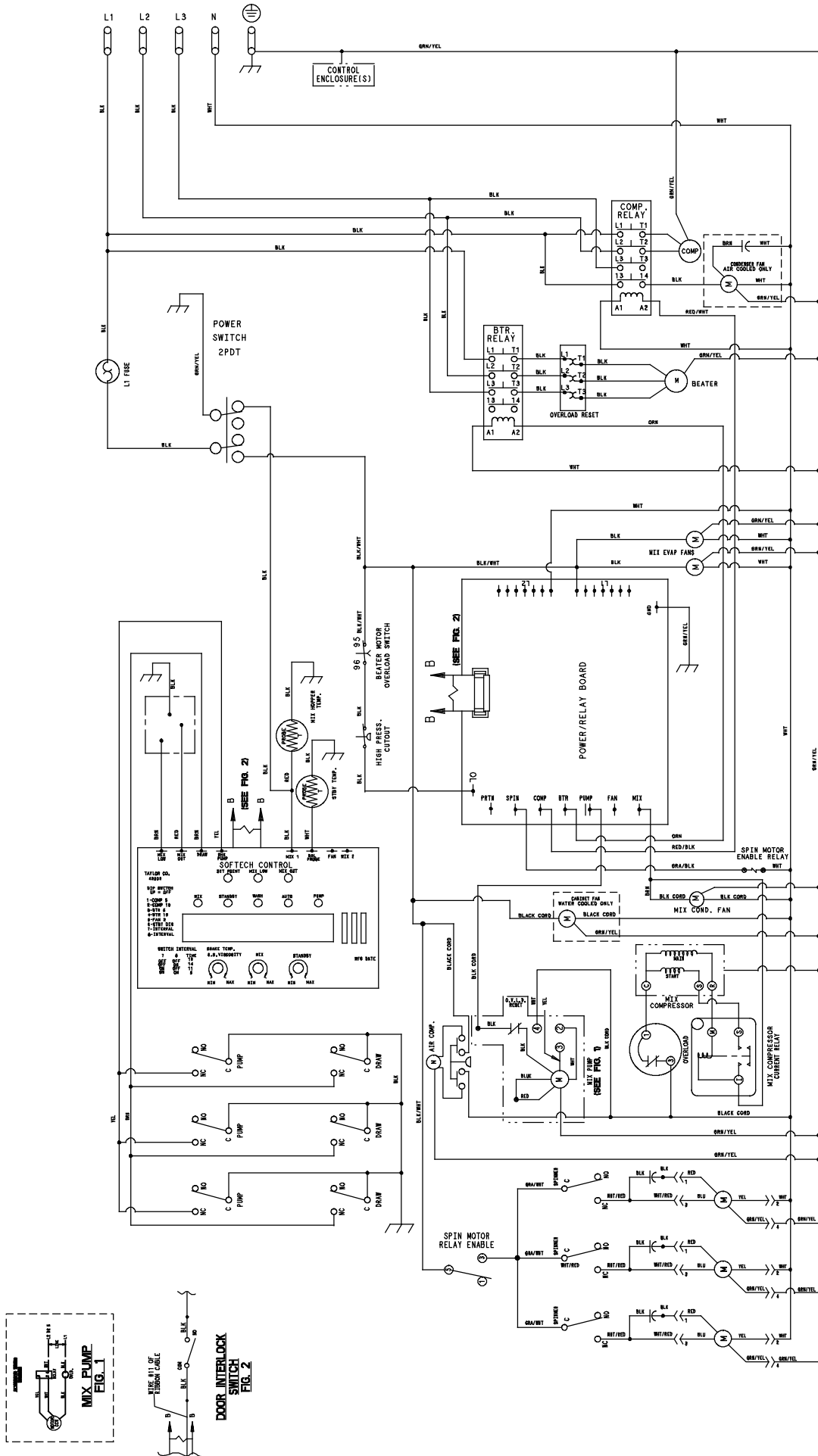
+ Available Separately



NOTE: RUN CAPACITOR ON AIR COOLED MODELS ONLY.







NOTE: RUN CAPACITOR USED ON AIR COOLED MODELS ONLY.