

# Technics®

Speaker Systems

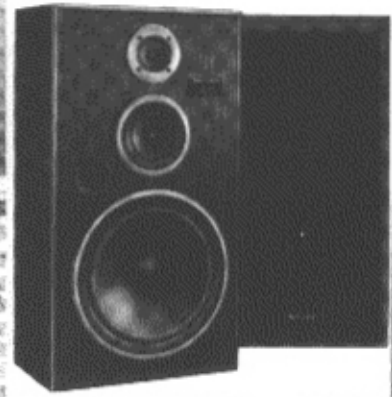
**SB-SL101**

**SB-SL501**

**SB-SL701**

**SB-SL901**

Operating Instructions



SB-SL701

(Not exactly as illustrated)

Before connecting or operating this product, please read these instructions completely. Please save this manual.

Thank you for purchasing this Technics product.  
For optimum performance and safety, please read  
these instructions carefully.

The model number and serial number of this product can be found on the back of the unit; and the serial number either on the back or the bottom. Please note them in the space provided below and retain this booklet as a permanent record of your purchase to aid identification in the event of theft.

MODEL NUMBER \_\_\_\_\_

SERIAL NUMBER \_\_\_\_\_

## Installation

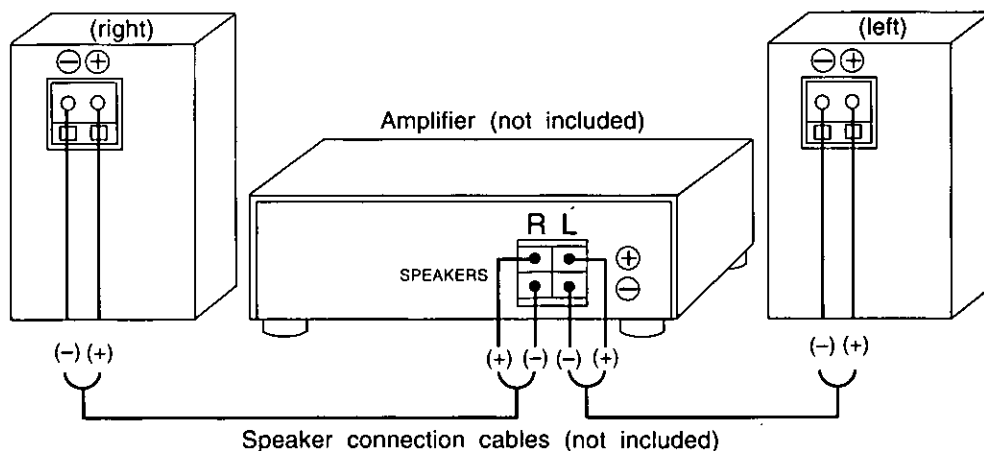
The sound reproduced by a speaker system is easily influenced by such factors as room acoustics and the system's location in the room. Before finally deciding where the speakers are to be placed, please read the following information carefully.

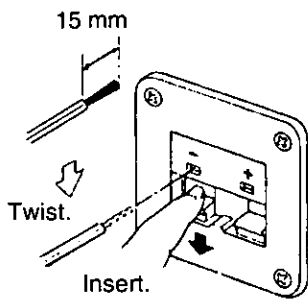
- The bass sound will be increased if the speakers are placed on the floor or close to a wall due to the reflection of sound. It is, therefore, possible to adjust the bass sound to some extent by adjusting the speaker's distance from the wall and/or floor.
- Undesirable resonance of sound reflection will occur if the speakers face a hard wall or window. Curtains or similar materials can be used to prevent these reflections.
- To prevent possible acoustic feedback, the speaker systems should be kept away from the turntable. This feedback (howling) can result from vibrations from the speakers. The turntable should, therefore, never be placed on the same surface as the speaker system. A thick piece of felt or similar material can be used under the turntable to reduce howling. Closing the turntable's cover also reduces this problem.

## Connecting the speaker system

Before connecting the speaker systems to the amplifier, please check the following:

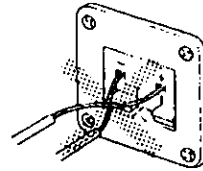
- Be sure to switch OFF the power to the amplifier.
- Use with an amplifier having  $8\Omega$  or below impedance speaker terminals.
- Be sure to only connect positive (+) wires to positive (+) terminals, and negative (-) wires to negative (-) terminals.





**Note:**

To prevent damage to circuitry, never short-circuit positive (+) and negative (-) speaker wires.



1. Twist the core of the connection cables.
2. Press the pushbutton, and insert the core until it can no longer be seen.
3. Release the pushbutton, and pull the cable gently to be sure that it is secured.

## Power-handling capacity

The power-handling capacity of this unit is indicated in the specifications.

The amplifier's volume control should be set to avoid an excessive input level. This is especially true on amplifiers having an output power rating higher than that of the speaker system.

Even if the amplifier to be used has an output power rating lower than that of the speaker system, the amplifier output may become distorted. This "clipping" distortion creates an excessive input level which can damage the speaker system. This type of distortion also occurs if the input signal to the amplifier is too large.

Bass and treble controls also raise the level of the input signal to the speaker system so care should be taken to adjust the volume to a proper level.

The volume level of the amplifier should be reduced if the following signals are to be applied to the speaker system: interstation noise of the FM radio band; output from a tape deck during rewind or fast forward; acoustic feedback from a microphone or musical instrument; electrical noise from the connection or disconnection of a phono cartridge, or phono / RCA cables.

## Speaker components protection

This unit incorporates protection circuitry that automatically reduces the tweeter level when a safe overall input level has been exceeded. When the protection circuit is activated, **the sound from the tweeter and midrange will be interrupted.** If the sound is interrupted, do not operate the system continuously. The woofer is not affected by the protection circuit, therefore; sound will be heard from the woofer.

Proceed as follows:

1. Reduce the volume setting of the amplifier.
2. Check whether or not there is any abnormal condition of the equipment used as the sound source, or of the connections.
3. If there is no abnormal condition, the protection circuitry will be automatically reset in a few minutes.

After the protection circuit is reset ...

Do not increase the amplifier's level too high.

# Maintenance

Although the enclosure and the speaker units of this speaker system are made of carefully selected materials and have been produced using the finest manufacturing techniques, sudden changes in surrounding temperature and / or humidity should be avoided. **Keep this unit away from sources of heat, high humidity and direct sunlight.**

- The speaker system **should not be placed near a TV.** The speaker magnet may cause a disturbance in the TV picture. If the enclosure becomes dirty, use a soft, dry cloth to wipe it clean. If the dirt is excessive, soak a soft cloth in a weak solution of soap and water, wring it thoroughly before use. A soft dry cloth should then be used to wipe it dry.
- **Never use alcohol, paint thinner, benzene or other volatile chemicals** to clean this unit because they may damage the finish, causing it to lose its luster. **Also never use a wet or chemically-impregnated cloth.**

# Specifications

**Note:**

Specifications are subject to change without notice.  
Weight and dimensions are approximate.

	<b>SB-SL101</b>	<b>SB-SL501</b>	<b>SB-SL701</b>	<b>SB-SL901</b>
<b>Type</b>	2 way, 2 speaker system Bass-reflex	3 way, 3 speaker system Bass-reflex	3 way, 3 speaker system Bass-reflex	3 way, 3 speaker system Bass-reflex
<b>Speakers:</b>				
<b>Woofer</b>	6-3/4" (17cm) cone type	10" (25cm) cone type	10" (25cm) cone type	15" (38cm) cone type
<b>Midrange</b>	None	4" (10cm) cone type	4" (10cm) cone type	4" (10cm) cone type
<b>Tweeter</b>	2-9/16" (6.5cm) cone type	2-9/16" (6.5cm) cone type	2-9/16" (6.5cm) cone type	2-9/16" (6.5cm) cone type
<b>Input power</b>	120W (music), 60W DIN	140W (music), 70W DIN	200W (music), 100W DIN	200W (music), 100W DIN
<b>Sound pressure level</b>	89dB/W /m	90dB/W /m	90dB/W /m	90dB/W /m
<b>Impedance</b>	8 ohms	8 ohms	8 ohms	8 ohms
<b>Frequency range</b>	46Hz ~ 22kHz (-16dB) 55Hz ~ 20kHz (-10dB)	35Hz ~ 22kHz (-16dB) 43Hz ~ 20kHz (-10dB)	33Hz ~ 22kHz (-16dB) 41Hz ~ 20kHz (-10dB)	31Hz ~ 22kHz (-16dB) 39Hz ~ 20kHz (-10dB)
<b>Crossover frequencies</b>	3kHz	4kHz, 6kHz	3kHz, 6kHz	3kHz, 6kHz
<b>Circuit protection</b>	Yes	Yes	Yes	Yes
<b>Dimensions (W x H x D)</b>	9-9/32" x 14-31/32" x 8-1/16"	13-3/8" x 24-13/16" x 10-19/32"	14-31/32" x 27-9/16" x 10-19/32"	18 1/2" x 32-9/32" x 12-27/32"
<b>Weight</b>	(236 x 380 x 205 mm) ( 8.4 lb. 3.8kg)	(340 x 630 x 269 mm) ( 19 lb. 8.6kg)	(380 x 700 x 269 mm) ( 22 lb. 10.0kg)	(470 x 820 x 326 mm) ( 35.7 lb. 16.2kg)

**Product service**

Do not attempt to remove the cover(s) or repair the unit yourself.  
Refer servicing to qualified personnel only.

**Product information**

For product service, product information or assistance in product operation, refer to the servicenter directory.

**Panasonic Consumer Electronics Company, Division of Matsushita Electric Corporation of America**  
One Panasonic Way Secaucus,  
New Jersey 07094  
<http://www.panasonic.com>

**Panasonic Sales Company, Division of Matsushita Electric of Puerto Rico, Inc. ("PSC")**  
Ave. 65 de Infantería. Km. 9.5  
San Gabriel Industrial Park,  
Carolina, Puerto Rico 00985

