

Technics

DC SERVO
Automatic Turntable system
SL-J110R



T4P is the standard mark for the "P-mount" plug-in-connector system. Products carrying this mark are interchangeable and compatible with each other.

OPERATING INSTRUCTIONS



Notes:

- Specifications differ according to the area code.
- The "EK" area code, for example, indicates United Kingdom specifications.
- The "EK" indication is shown on the packing case and serial number tag.

Before operating this unit, please read these instructions completely.

Dear Stereo Fan

We want to thank you for selecting this product and to welcome you to the growing family of satisfied Technics product owners around the world. We feel certain you will get maximum enjoyment from this new addition to your home.

Please read these operating instructions carefully, and be sure to keep them handy for convenient reference.

For United Kingdom

("EK" area code model only)

The "EK" indication is shown on the name plate.

This plug must only be connected to electronic apparatus equipped with suitable sockets.

Otherwise cut off and dispose of the plug, and fit an appropriate one in accordance with the instruction below.

Important

THE WIRES IN THIS MAINS LEAD ARE COLOURED IN ACCORDANCE WITH THE FOLLOWING CODE.

BLUE: NEUTRAL

BROWN: LIVE

As the colours of the wires in the mains lead of this unit may not correspond with the coloured markings identifying the terminals in your plug, proceed as follows. The wire which is coloured BLUE must be connected to the terminal which is marked with the letter N or coloured BLACK.

The wire which is coloured BROWN must be connected to the terminal which is marked with the letter L or coloured RED.

The apparatus was produced to BS 800: 1983

Suggestions for Safety

■ Use a standard electrical AC wall outlet

1. **Use from an AC power source of high voltage, such as for air conditioners, is very dangerous.**

Be extremely careful not to make a connection to the electrical outlet for a large air conditioner or central-heating unit which uses high voltage, because there is the possibility of fire.

2. **A DC power source cannot be used.**

Be sure to check the power source carefully, especially on a ship or other place where DC is used.

■ Connection and removal of the power cord plug

1. **Wet hands are dangerous.**

A dangerous electric shock may result if the plug is touched by wet hands.

2. **Don't pull the power cord.**

Always grasp the plug; never pull the cord itself.

■ Never attempt to repair or reconstruct this unit

A serious electric shock might occur if this unit is repaired, disassembled or reconstructed by unauthorized persons, or if the internal parts are accidentally touched.

■ For families with children

Never permit children to put anything, especially metal, inside this unit. A serious electric shock or malfunction could occur if articles such as coins, needles, screwdrivers, etc. are inserted through the ventilation holes, etc. of this unit.

■ Turn off after use

If the unit is left for a long time with the power on, this will not only shorten its useful operation life, but may also cause other unexpected trouble.

■ If water is spilled on the unit

Be extremely careful if water is spilled on the unit, because a fire or serious electric shock might occur. Immediately disconnect the power cord plug, and consult with your dealer.

■ Place the unit where it will be well ventilated, and away from direct sunlight.

Place this unit at least 10 cm (4") away from wall surfaces, etc., and away from direct sunlight.

■ Keep the unit away from heaters, etc.

Heat can damage the external surfaces as well as internal circuits and components.

■ Avoid spray-type insecticides

Insecticides might cause cracks or "cloudiness" in the cabinet and plastic parts of this unit. The gas used in such sprays might, moreover, be ignited suddenly.

■ Never use alcohol or paint thinner

These and similar chemicals should never be used, because they may damage the finish.

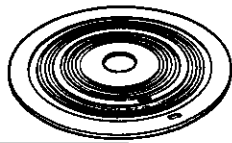
■ If trouble occurs

If, during operation, the sound is interrupted or indicators no longer illuminate, or if abnormal odor or smoke is detected, immediately disconnect the power cord plug, and contact your dealer or an Authorized Service Center.

Accessories

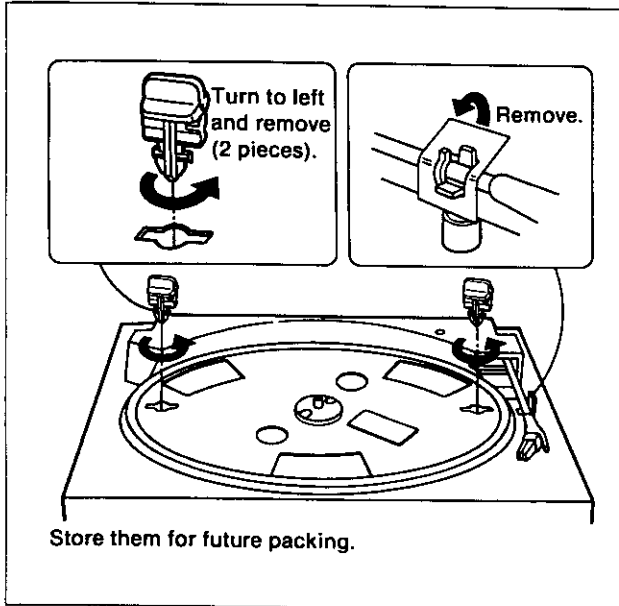
• Platter mat 1

• Remote-control cord 1

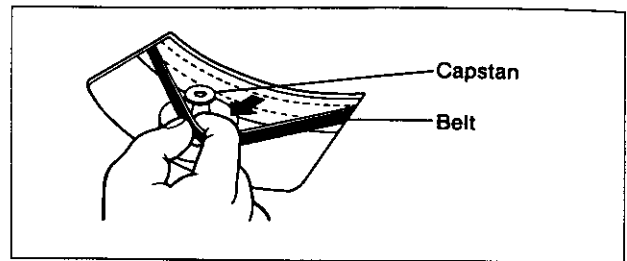


Turntable Assembly

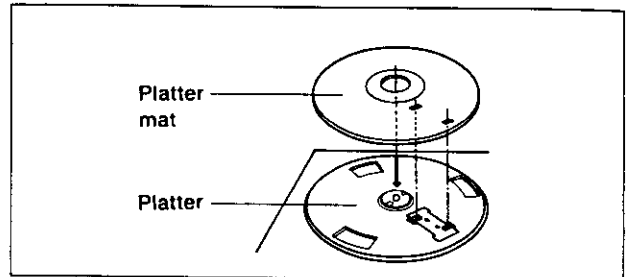
1. Remove the packing spacers.



2. Attach the drive belt properly.



3. Place the platter mat on the platter.



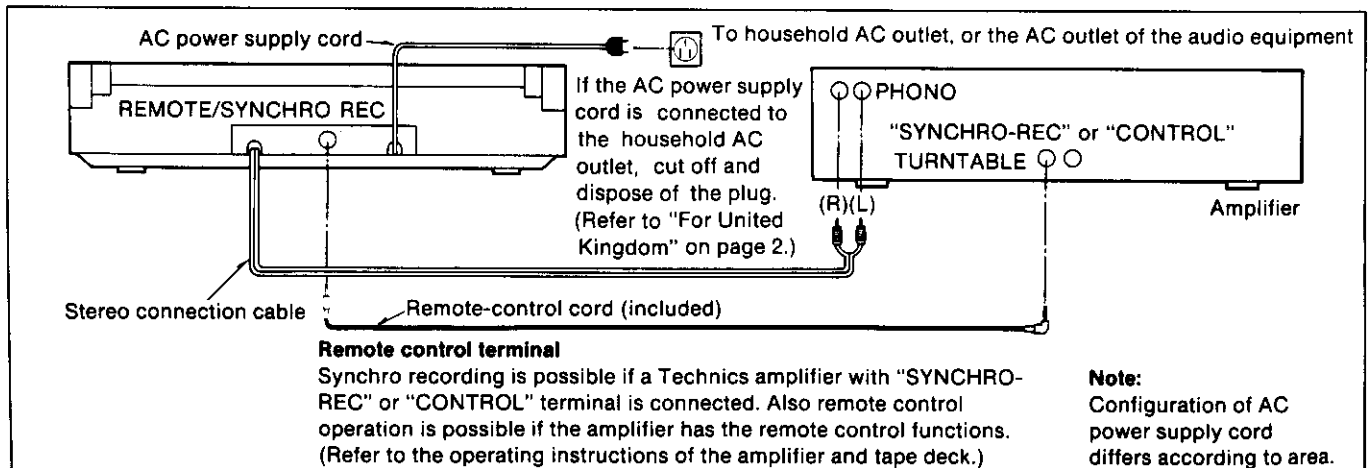
Before Use

Be sure to disconnect the mains cord before adjusting the voltage selector.

Use a minus (-) screwdriver to set the voltage selector (on the rear panel) to the voltage setting for the area in which the unit will be used.

Note that this unit will be seriously damaged if this setting is not made correctly. (There is no voltage selector for some countries; the correct voltage is already set.)

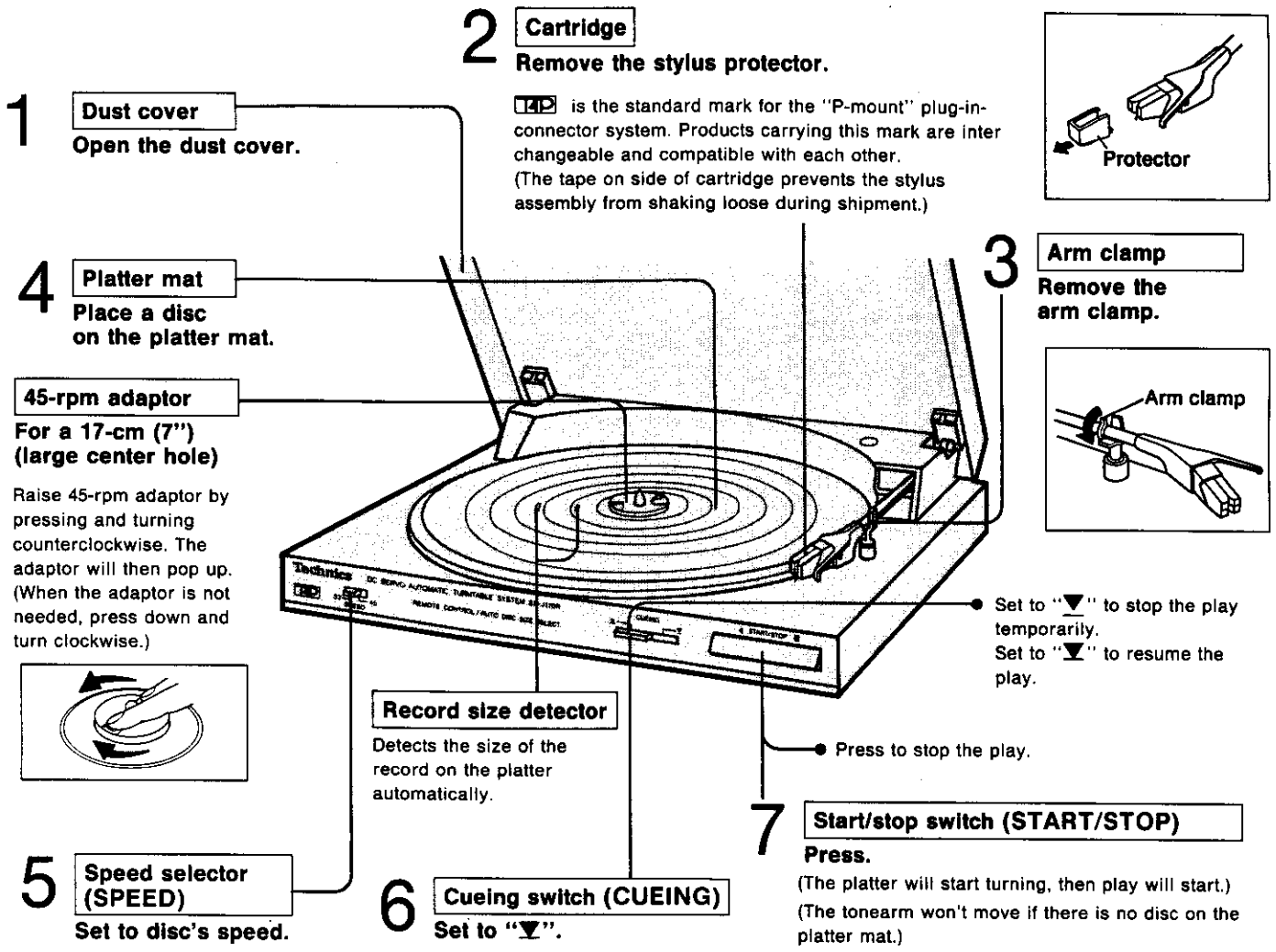
Connections



Operation

Note: Turn the amplifier on, and set it for listening to the sound. (Refer to the operating instructions of the amplifier.)

Automatic play



Manual play

The following types of discs should be played manually.

- Discs other than 17- or 30-cm discs
 - Lightweight discs such as "Soundsheets"
 - Badly warped discs
1. Follow the step 1—5 of the automatic play.
 2. Set the cueing switch to the "▼" position.
 3. Move the tonearm to the desired position. (The platter will start turning.)
 4. Set the cueing switch to the "▼" position.

After use

1. Clamp the tonearm.
2. Attach the stylus protector.

The unit is in the "stand-by" condition when the AC power supply cord is connected.
The primary circuit is always "live" as long as the power cord is connected to an electrical outlet.

Notes

1. While the tonearm is moving, don't touch the tonearm.
2. The platter may start turning or keep turning in some cases like those listed below. Press the start/stop switch is to make the platter stop.
 - When the power cord is connected.
 - If the start/stop switch is pressed when there is no disc on the platter mat.
3. It may happen, in combination with the Technics equipments with the remote control function, that play starts when the stop button (in the turntable system section of the remote-control transmitter) is pressed while the tonearm is returning. If this happens, press the stop button once again.
4. If the recording is made by using the synchro recording method, it may happen, depending on the disc, that the beginning of the tune will not be recorded. If this happens, refer to the section "Adjustment of the automatic-start position" and adjust the start position by turning a screwdriver counterclockwise.

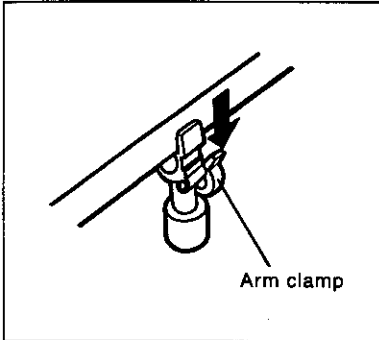
- **When play ends**
1. The tonearm will automatically return to the arm rest (the automatic return feature).
 2. Rotation will stop.

Adjustment

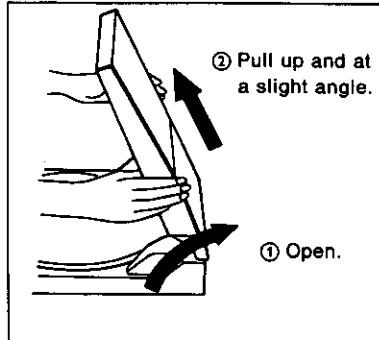
Adjustment of the automatic-start position

This adjustment is preset at the factory. If play starts from the middle of a tune, or the stylus descends outside the disc circumference, make the necessary adjustment.

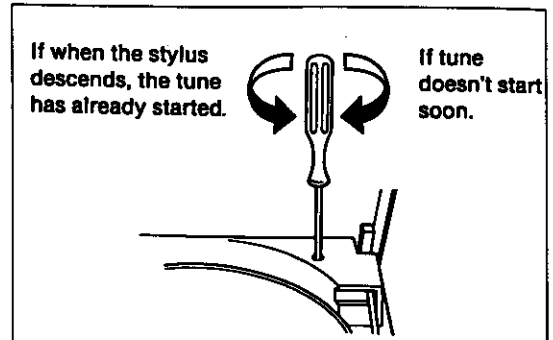
1. Clamp the tonearm.



2. Remove the dust cover.



3. Adjust to the desired automatic-start position.



4. Check to be sure the automatic-start position is correct.

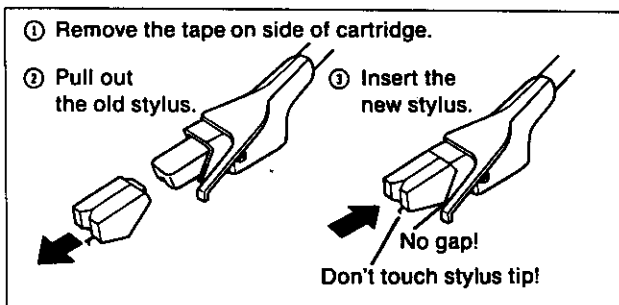
5. Attach the dust cover.

Replacement

Replacement of the stylus

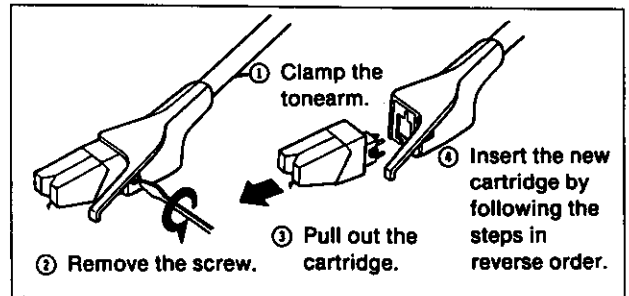
If noise is heard from new discs, the stylus is probably worn. Replace it with a new one.

- Stylus life approx. 1000 hours
- New stylus EPS-24CS



Replacement of the cartridge

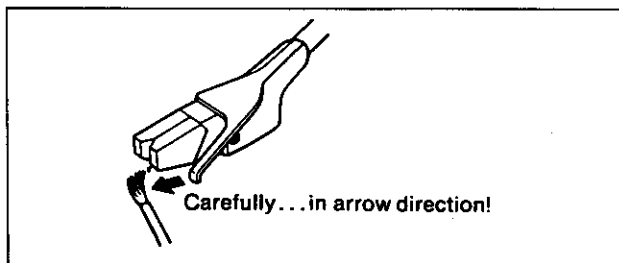
The plug-in type of cartridge **142** is already designed to match this unit in every respect: weight, correct stylus pressure, stylus tip position, center of gravity, etc. This means that there's no longer any need for troublesome connection of lead wires or adjustment of the stylus pressure.



Maintenance

To clean dust from the stylus

Use a soft brush or similar material to gently remove the dust. Thoroughly clean your discs occasionally with a high-quality disc cleaner.



Maintenance of external surfaces

To clean this unit, use a soft, dry cloth. If the surfaces are extremely dirty, use a soft cloth, dipped into a soap-and-water solution or a weak detergent solution. Wring the cloth well before wiping the unit. Wipe once again with a soft, dry cloth. Never use alcohol, paint thinner, benzene, nor a chemically treated cloth to clean this unit. Such chemicals may damage the finish of your unit.

Troubleshooting Guide

Before requesting service for this unit, check the chart below for a possible cause of the problem you are experiencing. Some simple checks or a minor adjustment on your part may eliminate the problem and restore proper operation. If you are in doubt about some of the check points, or if the remedies indicated in the chart do not solve the problem, refer to the directory of Authorized service centers (enclosed with this unit) to locate a convenient service center, or consult your Technics dealer for instructions.

Problem	Probable cause(s)	Suggested remedy
During disc play		
The platter doesn't turn when the start/stop switch is pressed.	The platter's belt has slipped off.	<ul style="list-style-type: none"> Re-attach the belt.
A loud and unusual sound ("howling") is heard when the volume level is increased.	The location of the turntable and speaker systems is unstable.	<ul style="list-style-type: none"> If the equipment is unstable because it is located upon a soft surface, such as a carpet, place a solid material (such as concrete blocks, bricks, a hard board, etc.) beneath the speaker systems. Try moving the turntable farther away from the speaker systems. Try placing a cushioning material (such as felt or commercially available audio insulators) beneath the turntable.
Unusual scratching noises are heard.	Disc is old or scratched.	<ul style="list-style-type: none"> Turn the treble tone control of the amplifier to reduce the treble sound.
	Dust in disc grooves or on the stylus.	<ul style="list-style-type: none"> Use a disc cleaner to remove the dust from the disc grooves. Use a soft brush to remove dust from the stylus.
	Stylus needle is worn.	<ul style="list-style-type: none"> If the noise is heard even when a new disc is played, probably the stylus is worn. Replace it with a new stylus.
	Dust is attached to stylus tip.	<ul style="list-style-type: none"> Use a soft brush to remove the dust from the stylus.

Technical Specifications

■ TURNTABLE SECTION

Type	Automatic turntable
Drive method	Belt drive
Motor	DC motor
Drive control method	DC servo control
Turntable platter	Aluminum die-cast Diameter 300 mm (12")
Turntable speeds	33-1/3 rpm and 45 rpm
Wow and flutter	0,045% WRMS ±0.06% weighted zero to peak (IEC 98A weighted)
Rumble	70 dB DIN-B (IEC 98A weighted)

■ TONEARM SECTION

Type	Static-balanced, straight tonearm Plug-in-connector cartridge system
Overhang	25 mm (1")
Effective length	200 mm (7-7/8")

Tracking error angle	Within 3°18' at inner groove of 30 cm (12") disc
	Within 0°36' at outer groove of 30 cm (12") disc
Applicable cartridge weight	6 g

■ CARTRIDGE SECTION

Type	Moving magnet stereo cartridge
Magnet circuit	All laminated core
Frequency response	10 Hz—30 kHz
Output voltage	2.5 mV at 1 kHz, 5 cm/s. zero to peak lateral velocity (7 mV at 1 kHz, 10 cm/s. zero to peak, 45° velocity DIN 45 500)
Channel separation	22 dB at 1 kHz
Channel balance	Within 2 dB at 1 kHz
Recommended load impedance	47 kΩ—100 kΩ

Compliance (dynamic)	12 x 10 ⁻⁸ cm/dyne (100 Hz)
Stylus pressure range	1.25 ± 0.25 g
Weight	6 g (cartridge only)
Replacement stylus	EPS-24CS

■ GENERAL

Power supply	AC 240V, 50/60 Hz
Power consumption	3 W
Dimensions (WxHxD)	360 x 83 x 320 mm (14-1/4" x 3-1/4" x 12-1/2") When dust cover is open. 360 x 350 x 320 mm (14-1/4" x 13-25/32" x 12-1/2")
Weight	2.5 kg (5.6 lb)

Note: Specifications subject to change without notice. Weight and dimensions shown are approximate.

Matsushita Electric Industrial Co., Ltd.
Central P.O. Box 288, Osaka 530-91, Japan



SQX54665
S0288L1048