

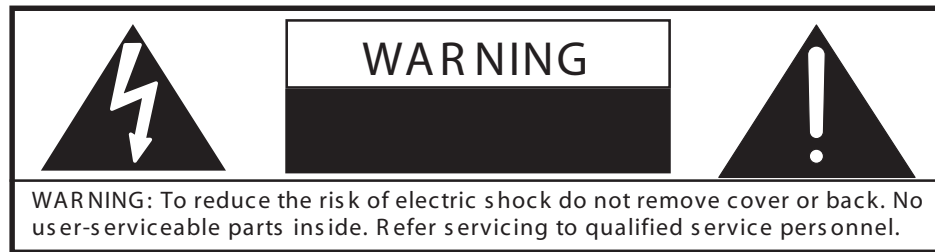
ATTACHMENT D.

- USER'S GUIDE

Table of Contents

Important Safety Information	2
Overview Of Your New PDP	7
Control Button	7
Control Button Key Function	7
Connecting To External Equipment	8
RS-232C Configurations	9
Accessories	11
Features Of The Remote Control	12
Loading The Batteries	13
Reception Range Of Remote Control	13
Monitor Installation	14
Wall Mount (optional) Installation	14
Table Stand (optional) Installation	15
Speaker Installation	17
Optional Extras	21
Watching TV	22
To watch TV (When the Interface board is installed)	22
Watching VCR	23
To watch VCR (When the Interface board is installed)	23
Watching DVD(Interlace)	24
How to connect (When the Interface board is installed)	24
How to use (When the Interface board is installed)	24
Watching DVD(Progressive)	25
Connecting The PC	26
OSD Structure	27
Picture	28
PIP	29
SOUND	31
SETUP	34
CHANNEL	35
FUNCTION	38
TIME	40
Compatible Display Monitor Specification	44
Hot Key Function By Remote Control	42
Specification	45
Troubleshooting	47
United States Retail Warranty Card	48

Important Safety Information



The lightning flash with arrow-head within a triangle is intended to tell the user that parts inside the product are a risk of electric shock to persons.



The exclamation point within a triangle is intended to tell the user that important operating and servicing instructions are in the papers with the appliance.

WARNING

This is a Class B product. In a domestic environment this product may cause radio interference in which case the user may be required to take adequate measures.

FCC NOTICE

This device has been tested and found to comply with the limits for a Class B device, pursuant to Part 15 of the FCC Rules. These limits are designed to provide reasonable protection against harmful interference in a commercial, industrial or business environment. This equipment can generate, use and radiate radio frequency energy and, if not installed and used in accordance with the instruction, may cause harmful interference to radio communications. However, there is no guarantee that interference will not occur in a particular installation. If this equipment does cause harmful interference to radio or television reception, which can be determined by turning the equipment off and on, the user is encouraged to try to correct the interference by one or more of the following measures :

- Reorient or relocate the receiving antenna.
- Increase the separation between the equipment and receiver.
- Connect the equipment into an outlet on a circuit different from that to which the receiver is connected.
- Consult the dealer or an experienced radio/TV technician for help.

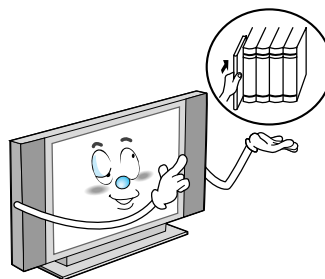
Changes or modification not expressly approved by the party responsible for compliance could void the user's authority to operate the equipment.

Connecting of peripherals requires the use of ground shielded signal cables.

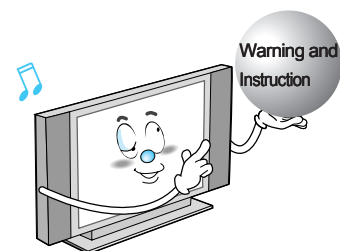
- ◉ **Always be careful when using your Monitor. To reduce the risk of fire, electrical shock, and other injuries, keep these safety precautions in mind when installing, using, and maintaining your machine.**



Read all safety and operating instructions before operating your Monitor.



Keep the safety and operating instructions for future reference.



Read all warnings on the Monitor and in the operating instructions.

Important Safety Information

1. Read these instructions
All the safety and operating instructions shall be read before the appliance is operated.
2. Retain instructions
The safety and operating instructions shall be retained for future reference.
3. Heed all warnings
All warnings on the appliance and in the operating instructions shall be adhered to.
4. Keep these instructions
All operating and use instructions shall be followed.
5. Follow all instructions
6. Do not use this apparatus near water
7. Clean only with a dry cloth
8. Do not block any of the ventilation openings. Install in accordance with the manufacturer's instructions
9. Do not install near any heat sources such as radiators, heat registers, stoves, or other apparatus (including amplifiers) that produce heat.
10. Do not defeat the safety purpose of the polarized or grounding type plug. A polarized plug has two blades and a third grounding prong. The wide blade or the third prong is provided for your safety. When the provided plug does not fit into your outlet, consult an electrician for replacement of the obsolete outlet.
11. Protect the power cord from being walked on or pinched particularly at plugs, convenience receptacles and the point where they exit from the apparatus.
12. Only use the attachments/accessories specified by the manufacturer.
13. Use only with a cart, stand, tripod, bracket, or sold with the apparatus.
When a cart is used, use caution when moving the cart/apparatus combination to avoid injury from tip-over
14. Unplug this apparatus during lightning storms or when unused for long periods of time
15. Refer all servicing to qualified service personnel. Servicing is required when the apparatus has been damaged in any way, such as power supply cord or plug is damaged, liquid has been spilled or objects have fallen into the apparatus, the apparatus has been exposed to rain or moisture, does not operate normally, or has been dropped

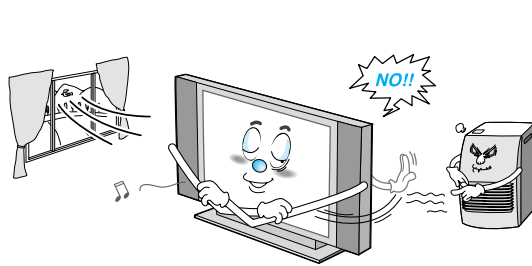


CAUTION - This stand intended for use only with idisplay.tv , iP#-42S\$@, PDP TV monitor. Use with other apparatus is capable of resulting in instability causing possible injury

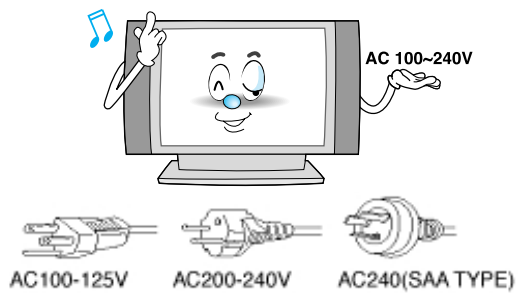
CAUTION - These servicing instructions are for use by qualified service personnel only. To reduce the risk of electric shock, do not perform any servicing other than that contained in the operating instructions unless you qualified to do so

CAUTION - Apparatus shall not be exposed to dripping or splashing and no objects filled with liquids, such as vases, shall be placed on the apparatus

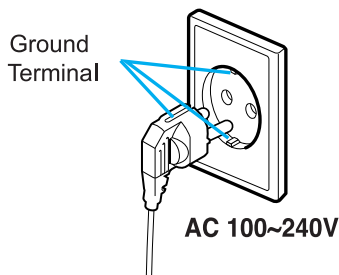
Important Safety Information



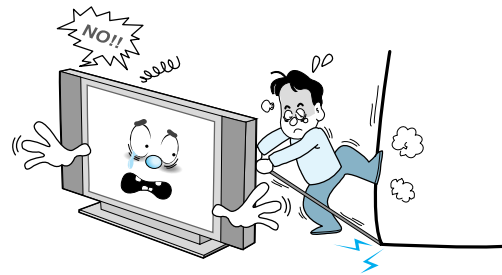
Provide ventilation for the Monitor. The unit is designed with slots in the cabinet for ventilation to protect it from overheating. Do not block these openings with any object, and do not place the Monitor on a bed, sofa, rug, or other similar surface. Do not place it near a radiator or heat register. If you place the Monitor on a rack or bookcase, ensure that there is adequate ventilation and that you've followed the manufacturer's instructions for mounting.



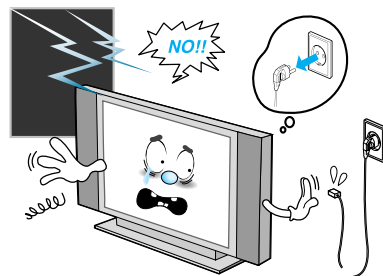
Use only the accessory cord designed for this product to prevent shock. The power supply voltage rating of this product is AC100-240V and the power cord attached conforms to the above power supply voltage. Use only the power cord designated by our dealer to ensure Safety and EMC. When it is used by other power supply voltage, the power cable must be changed. Consult your product dealer.



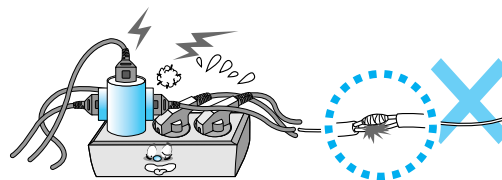
Use only a grounded or polarized outlet. For your safety, this Monitor is equipped with a polarized alternating current line plug having one blade wider than the other. This plug will fit into the power outlet only one way. If you are unable to insert the plug fully into the outlet, try reversing the plug. If the plug still does not fit, contact your electrician to replace your outlet.



Avoid overhead power lines. An outside antenna system should not be placed in the vicinity of overhead power lines or other electric light or power circuits or where it can fall into such power lines or circuits. When installing an outside antenna system, be extremely careful to keep from touching the power lines or circuits. Contact with such lines can be fatal.

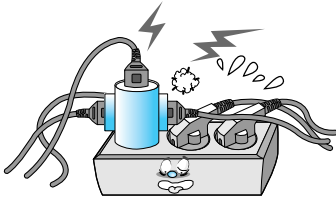


Unplug the Monitor from the wall outlet and disconnect the antenna or cable system during a lightning storm or when left unattended and unused for long periods of time. This will prevent damage to the unit due to lightning and power-line surges.

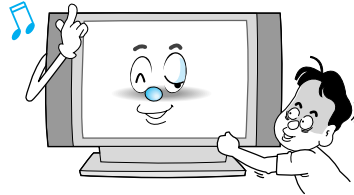


Protect the power cord. Power supply cords should be routed so that they won't be walked on or pinched by objects placed on or against them. Pay particular attention to cords at plugs, convenience receptacles, and the point where they exit from the unit.

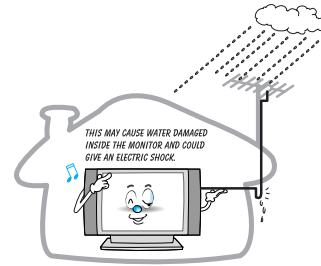
Important Safety Information



Do not overload the wall outlet or extension cords. Overloading can result in fire or electric shock.



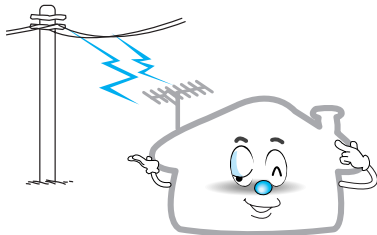
Do not insert anything through the openings in the unit, where they can touch dangerous voltage points or damage parts. Never spill liquid of any kind on the Monitor.



Bend antenna cable between inside and outside building to prevent rain from flowing in.

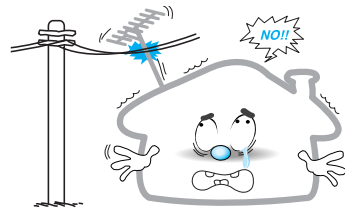
- This may cause water damaged inside the Monitor and could give an electric shock.

Ground outdoor antennas. If an outside antenna or cable system is connected to the Monitor, be sure the antenna or cable system is grounded so as to provide some protection against voltage surges and built-up static charges. Section 810 of the National Electrical Code, ANSI/NFPA No.70-1984, provides information about proper grounding of the mast and supporting structure, grounding of the lead-in wire to an antenna discharge unit, size of grounding conductors, location of antenna discharge unit, connection to grounding electrodes, and requirements for the grounding electrode.



Do not place an outside antenna in the vicinity of overhead power lines or other electric light or power circuits.

- This may cause an electric shock.



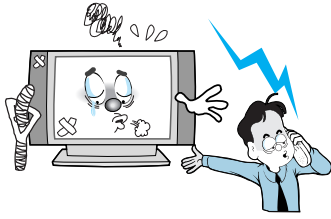
There should be an enough distance between an outside antenna and power lines to keep the former from touching the latter even when the antenna falls.

- This may cause an electric shock.

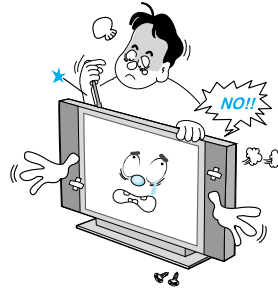
Do not attempt to service the Monitor yourself. Refer all servicing to qualified service personnel. Unplug the unit from the wall outlet and refer servicing to qualified service personnel under the following conditions:

- when the power-supply cord or plug is damaged
- if liquid has been spilled on the unit or if objects have fallen into the unit
- if the Monitor has been exposed to rain or water
- if the Monitor does not operate normally by following the operating instructions
- if the Monitor has been dropped or the cabinet has been damaged
- when the Monitor exhibits a distinct change in performance

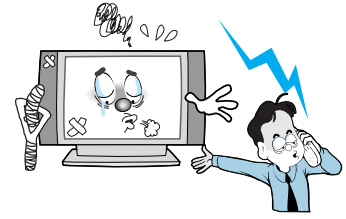
Important Safety Information



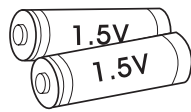
When replacement parts are required, be sure the service technician use replacement parts specified by the manufacturer or those that have the same characteristics as the original part. Unauthorized substitutions may result in additional damage to the unit.



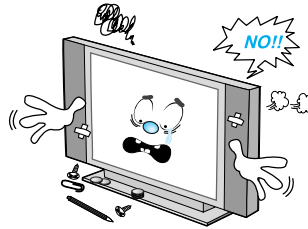
Upon completion of any service or repairs to this Monitor, ask the service technician to perform safety checks to determine that the Monitor is in a safe operating condition.



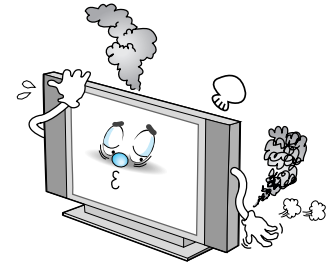
If you make adjustments yourself, adjust only those controls that are covered by the operating instructions. Adjusting other controls may result in damage and will often require extensive work by a qualified technician to restore the Monitor to normal.



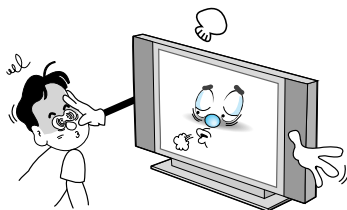
Use only the specified batteries.
- This may cause damage to the Monitor or could give an electric shock.



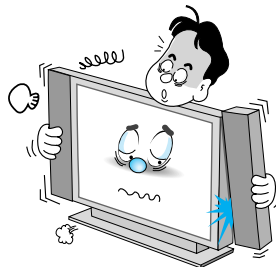
Do not place anything containing liquid on top of the Monitor.
- This may cause a fire or could give an electric shock.



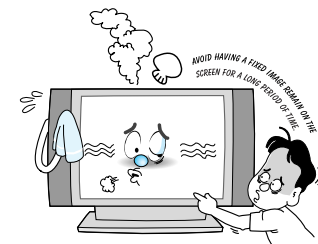
In case of smoke or strange smell from the Monitor, switch it off, unplug it from the wall outlet and contact your dealer or service center.
- This may cause a fire or could give an electric shock.



The recommended viewing distant is 5~7 times farther out than the diagonal length of the screen.
- If not, eyes may strain.



When moving the Monitor assembled with speakers, do not carry holding the speakers.
- This may cause the Monitor to fall, causing serious injury to a child or adult, and serious damage to the Monitor.

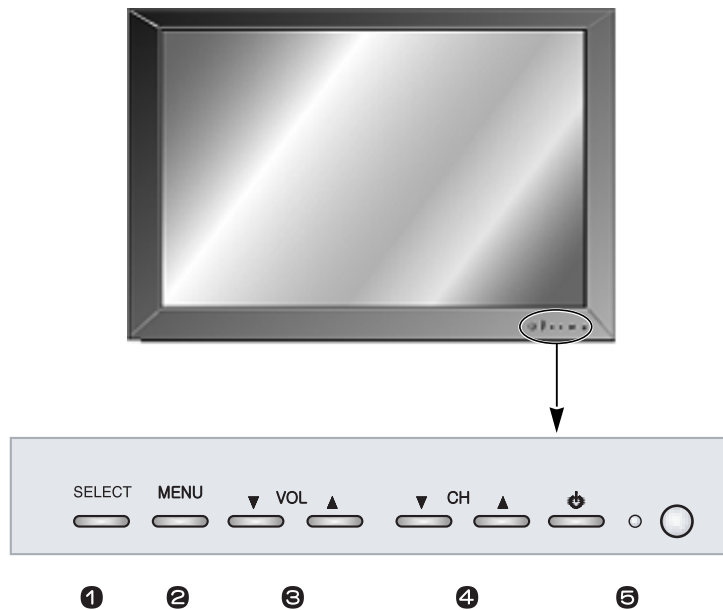


Avoid having a fixed image remain on the screen for a long period of time. Typically a frozen still picture from a VCR, 4:3 picture format or if a CH label is present; the fixed image may remain visible on the screen.

Overview Of Your New PDP

OSD Button

<Front Panel>



OSD Button & Function

- ① Input Signal Source Select
- ② MENU Select
- ③ Audio Volume Down/Up
- ④ CHANNEL Down/Up
- ⑤ Remoncon Sensor or Power (Stand By)

OSD Key Function

SELECT

Select the signal source from multiple input source such as TV, VIDEO, S-Video, DTV, DVD, DVI PC and DTV YPbPr.

MENU

OSD Menu Control.

VOL- /VOL+

Change the audio level in normal display mode and move the scroll bar in Volume control menu.

CH- /CH+

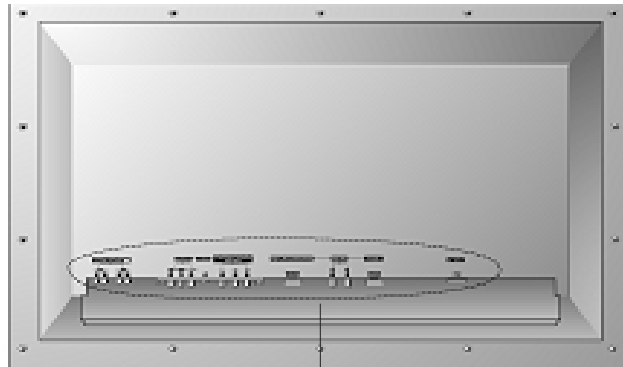
Change the TV Channel control menu.

POWER

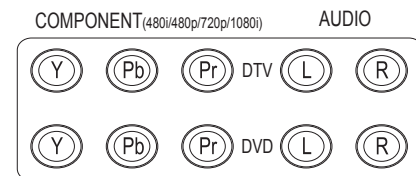
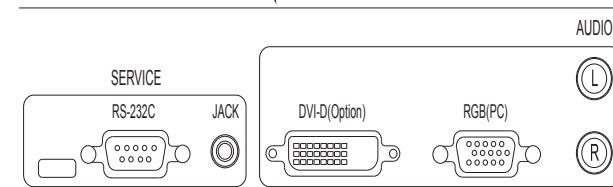
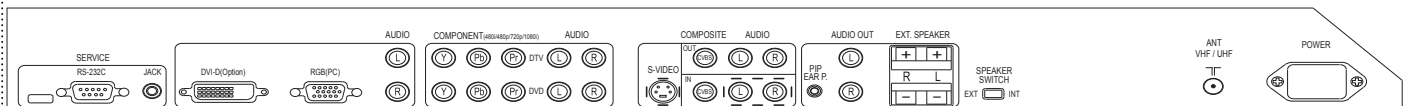
Turn on and off the main power.

Overview Of Your New PDP

Connecting To External Equipment



Back panel of the Monitor



● RS-232C INPUT CONTROL TERMINAL

Control the monitor's functions externally by external equipment. Connects to the computer RS-232C output terminal.

● DVI INPUT (Optional)

Connect DVI Computer Source (Digital Signal) here. Contact your dealer for buying optional item.

● D-sub 15pin (PC)

Connect PC Computer Source (here. Contact your dealer for buying optional item.

● AUDIO INPUT TERMINAL

Connect to the audio output terminal of a DVI, PC or similar source of device.

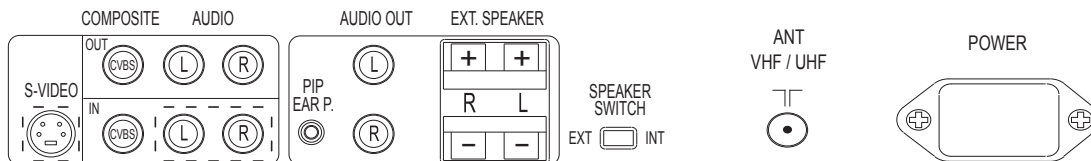
Overview Of Your New PDP

Component Input(DVD Y,Pb,Pr) 480i

Connects to a component output terminal of a DVD player.

Component Input(DTV Y, Pb, Pr) 480p, 720p, 1080i

Connects to a component output terminal of a Progressive DVD player or HD Set-Top Box.



S-Video Input Terminal

Connects to a S-Video output terminal of a S-VHS VCRs or DVD players.

Composite Input/Output Terminal(VIDEO INPUT, MONITOR OUT)

Connects to a composite output terminal of VCRs or DVD players or Monitor out.

Audio out / PIP Earphone

Fixed Level Audio signal output to external audio amplifier(optional) or Headphones(Optional).

TV Antenna Terminal

Connects to an antenna cable.

AC(POWER) Input Terminal

Firmly insert the accessory power cord as far as it will go into the power input terminal.

Firmly push the power cord plug as far as it will go into the power socket.

Slide Switch



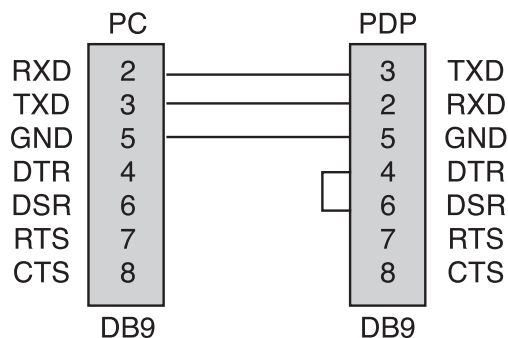
Audio out controller to internal or external.

Connectors	
AUDIO INPUT	RCA Pin Jack
VIDEO INPUT	RCA Pin Jack
S-VIDEO INPUT	Pin Did
COMPONENT VIDEO INPUT	RCA Pin Jack
RGB INPUT	15-pin D-sub
RS-232C	9-pin D-sub

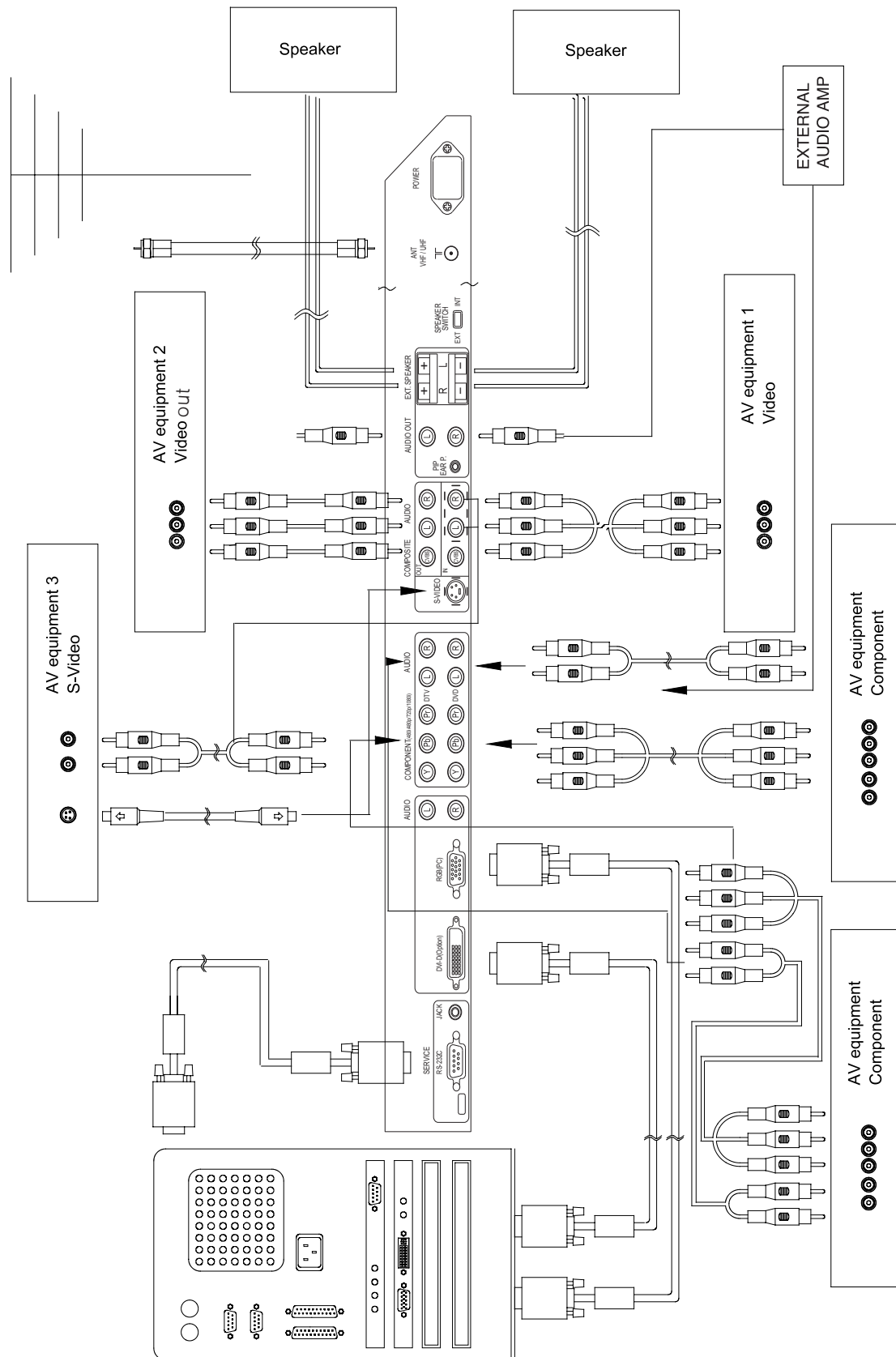
• Cables connecting PC's may vary depending on the PC types.

RS-232C Configurations

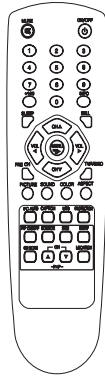
3- wire configuration
(Non standard)



Overview Of Your New PDP



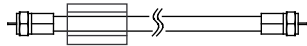
Accessories



Remote Control Handset



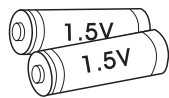
Table Stand
(Separated Type)



Shielded



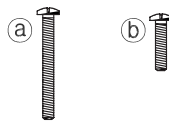
Power Cord



Alkaline Batteries (AAA)



Owner's Manual



4*30 : 2EA 4*16 : 2EA

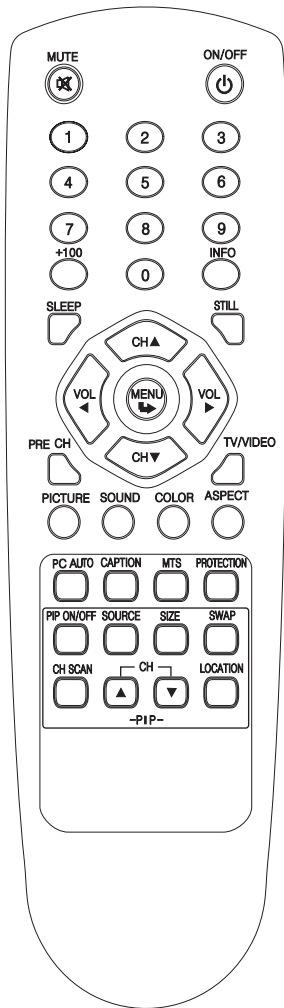
Screw



F Type Connector

Features Of The Remote Control

When using the remote control, always point it directly at the IR sensor of Plasma monitor.

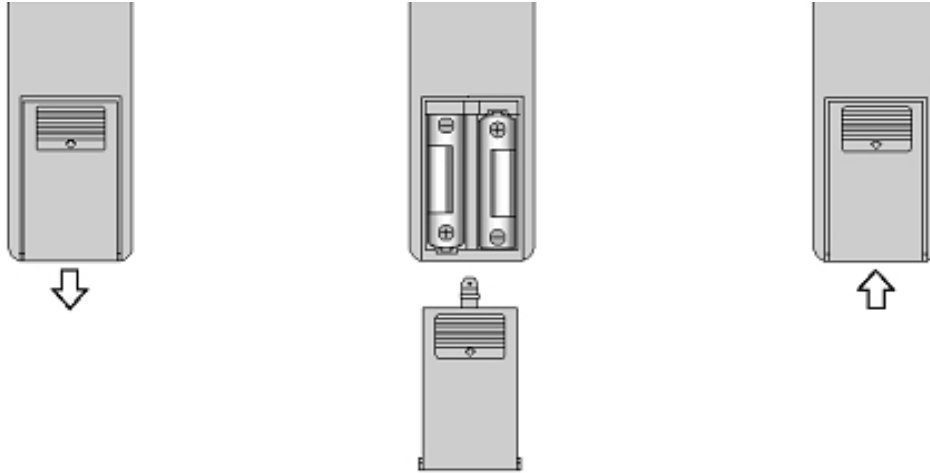


- ▶ **MUTE**
Mute on / off
- ▶ **POWER**
Turn the main power on and to stand by
- ▶ **TV / VIDEO**
Select the signal source from multiple input source of TV, Video, S-video, DVD , DTV, PC DVI(Optional)
- ▶ **ASPECT**
Change the image settings, ie; WIDE etc.
- ▶ **PIP (Picture-in-picture)**
Activate PIP function on PC for DTV Mode
- ▶ **Number key**
Input channel number
- ▶ **PRE CH**
Jump back to previous TV channel
- ▶ **MENU / SET**
Activate the OSD window, enter the sub-menu
- ▶ **STILL**
Activate the temporary image freeze feature
- ▶ **CH+ / CH-**
Change channel on TV mode, up or down
- ▶ **VOL+ / VOL-**
Change the audio level, increase or decrease
- ▶ **MTS**
Multi Channel Television Stereo. Select audio out mode to stereo or mono
- ▶ **INFO**
See information for selected channel
- ▶ **PICTURE**
Choose three different modes of picture settings
- ▶ **PC AUTO**
Automatically adjust picture position and eliminate any image shaking
- ▶ **SOUND**
Choose the best appropriate audio environment
- ▶ **SLEEP**
Set TV timer for 30 min, 60 min, 90 min, 120 min, 180 min and 240 min
- ▶ **CAPTION**
Control the caption decoder On/Off
- ▶ **SOURCE**
Change the video input source of the sub-picture when PIP is turned on
- ▶ **SIZE**
Change the sub-picture size large/small/double
- ▶ **SWAP**
Swaps the picture and the sub-picture
- ▶ **CH SCAN**
The sub-picture TV channel scan
- ▶ **CH UP/DOWN**
The sub-picture channel up/down
- ▶ **LOCATION**
Move the sub-picture the screen

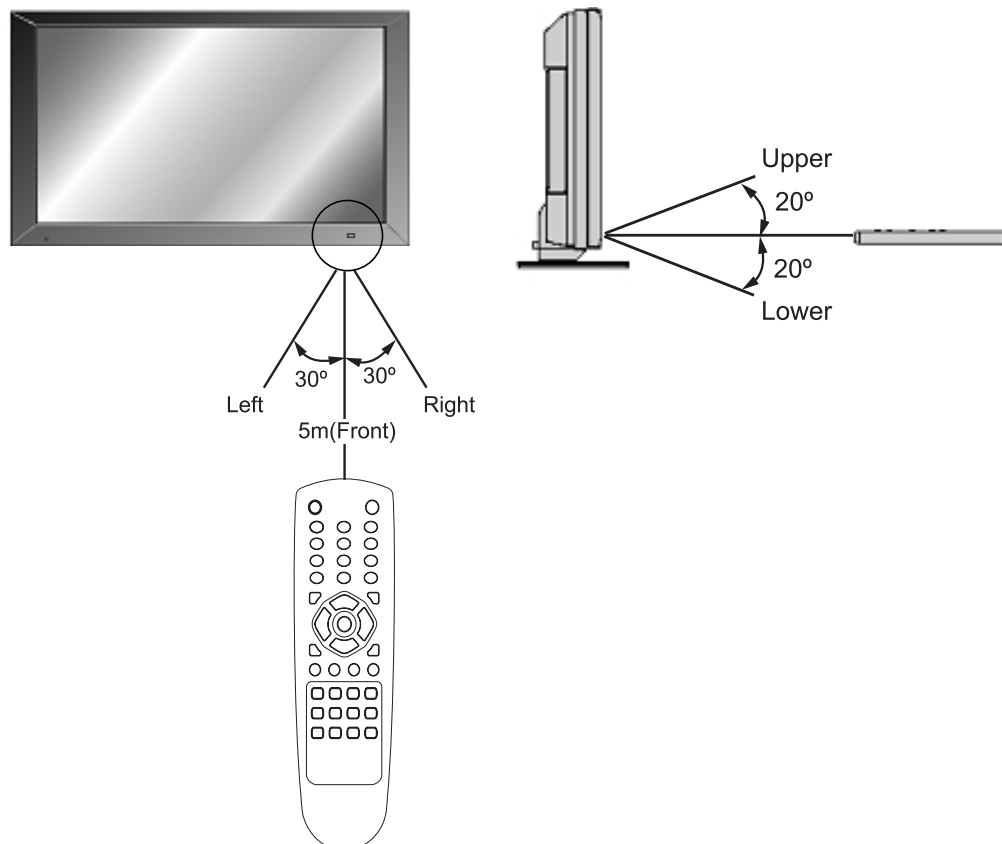
Features Of The Remote Control

Loading The Batteries

- 1 Press on the cover and slide in the direction of the arrow.
- 2 Load two AAA batteries, taking care that the + and - ends face to the correct direction.
- 3 Close the cover until it clicks.



Reception range of Remote Control



Monitor Installation

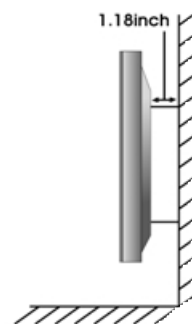
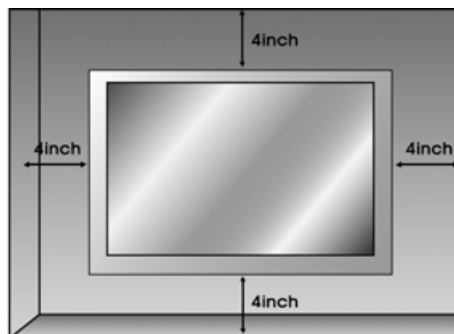
The Monitor can be installed in Wall Mount, Table Stand and Ceiling Mount

Wall Mount (optional) Installation



<The monitor can be installed on the wall as shown above>

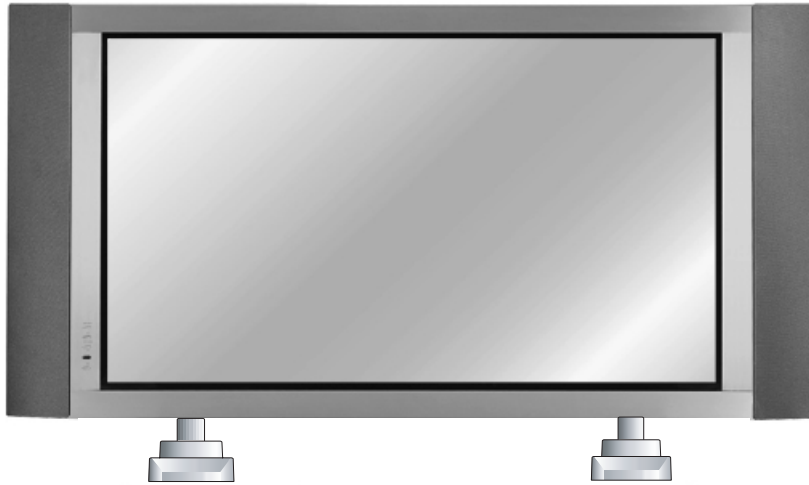
- Install the monitor only in a location where adequate ventilation is available.



Monitor Installation

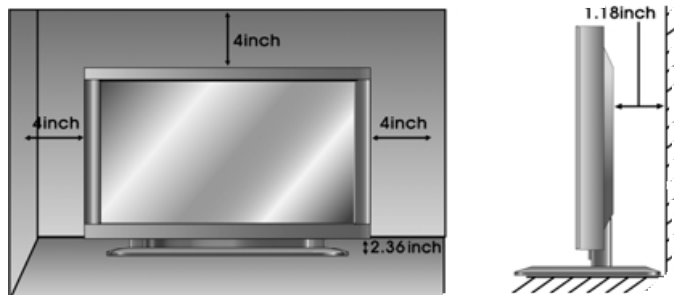
Table Stand (optional) Installation

United type Table Stand (optional)



<The Monitor can be installed on a desk as shown above.>

- Table Stand requires minimum allowable clearances for adequate ventilation.




Monitor Installation

Installation


42"

① Insert Table Stand into Plasma Monitor
② **a**-Screw(4×30) Down
③ **b**-Screw(4×16) Down

[Screws]

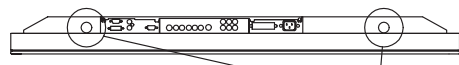


a

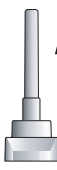


b

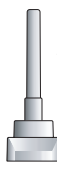
2-4X16
2-4X30



STAND HOLE



↑
Insert
Table Stand




↑

**Table Stand
(Separated Type)**

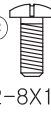
50"

① Insert Table Stand into Plasma Monitor
② **a**-Screw(4×30) Down
③ **b**-Screw(8×18) Down

[Screws]

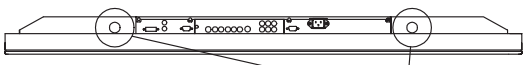


a




c

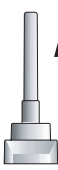
2-8X18
2-4X30



STAND HOLE



↑
Insert
Table Stand



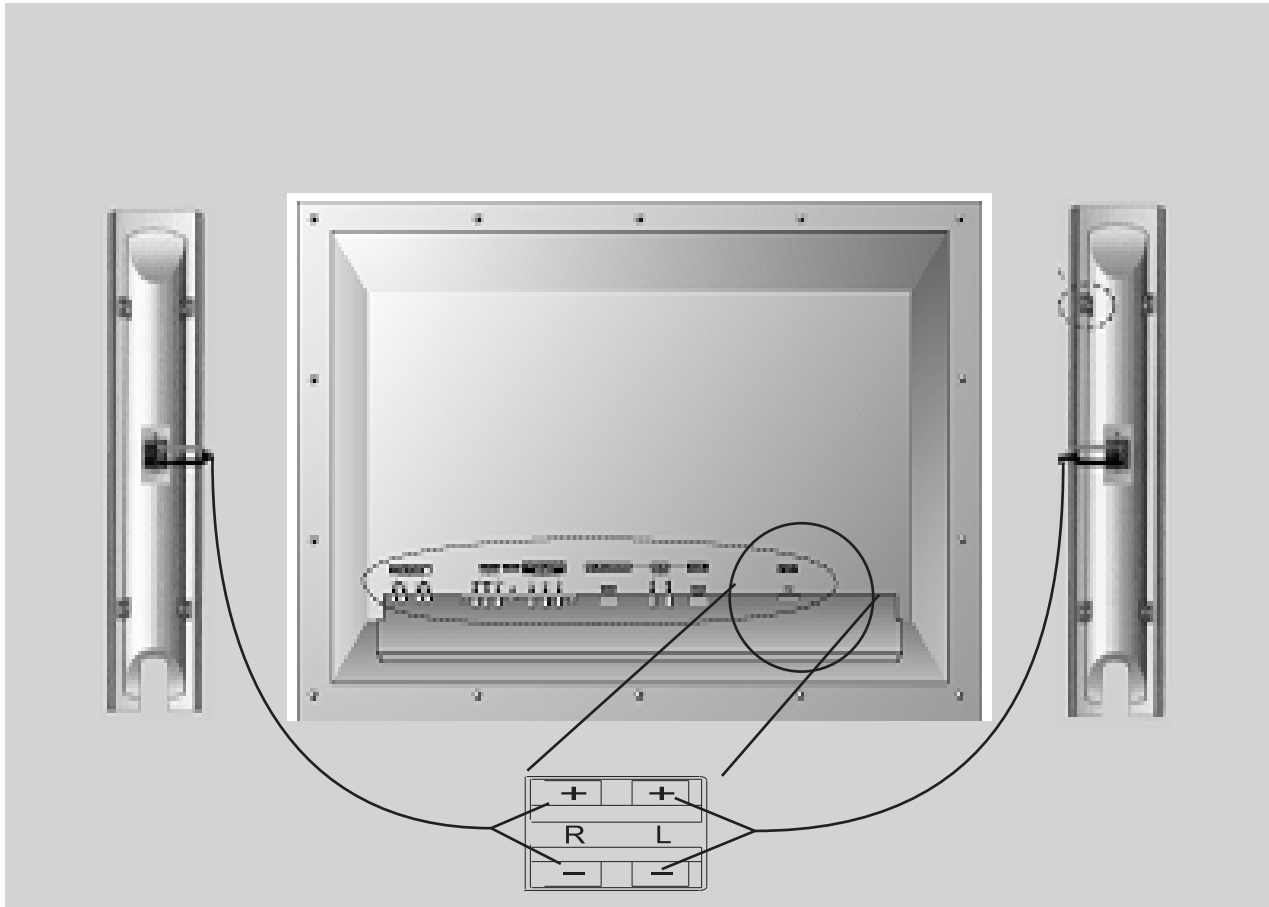
↑

**Table Stand
(Separated Type)**

Monitor Installation

Speaker Installation

▶ 42" External Speaker (Optional) Installation



- Match the color of each connection on the speaker and monitor

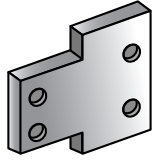


Caution

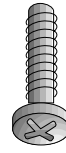
- Turn off monitor power before making any connections.
Place the speakers in the position you want. Install the speaker wires on the monitor and speaker. Be sure to connect the positive (+) wire to the (+) input and the negative (-) wire to the (-) input. Connect left monitor input to left speaker and right monitor input to right speaker. Any extra speaker wire length remaining can be bunched into the wire holders provided.
(Caution: Once installed, the speaker wire holders lock into position and cannot be removed.)

Monitor Installation

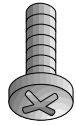
External Speaker Accessories



4-Metal Plates (Mount speakers to monitor)



8-4 x 16 Long Screws (Attach metal plates to speakers)



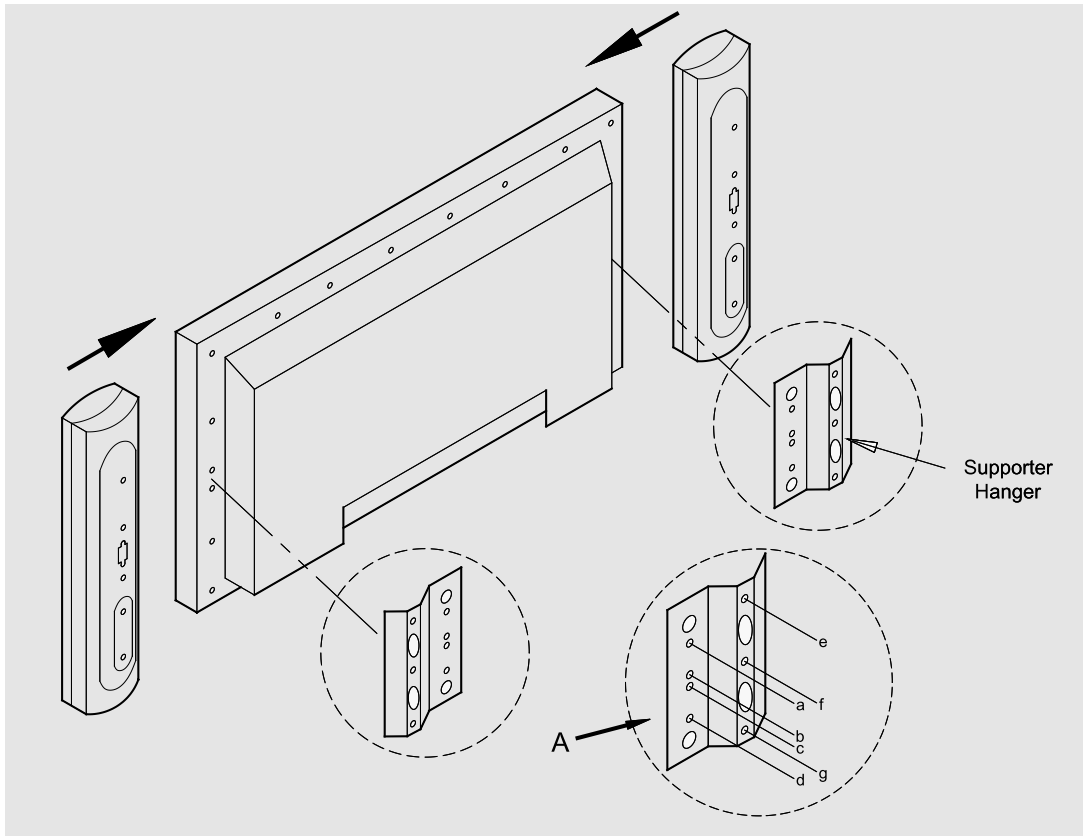
8-4 x 8 Short Screws (Attach metal plates to monitor)



2-Speaker Wires

Monitor Installation

► 50" Speaker (Optional) Installation



- Match the color of each connection on the speaker and monitor.



Caution

- Always lift the monitor itself (not the speakers) when handling or moving the monitor after speakers have been installed. Assemble the monitor to speaker using the supporter hanger and bolt. As shown above A, assemble the a and b of supporter hanger to the monitor using the bolt(M4x8). Assemble the c, d and e to the speaker using the bolt(4x16). If the bolts are tightened too much, the product could be damaged.