

MAINTENANCE

GENERAL CARE AND CLEANING

- Due to the natural movement of a ceiling fan, connections can become loose over time. Check all the ceiling fan's connections (not including the electrical connections) at least twice a year.
- The fan has permanently lubricated sealed bearings, therefore no further lubrication is required.
- Clean your fan periodically to help maintain its new appearance over time. Use only a soft brush or lint-free cloth to avoid scratching the finish. The plating is sealed with a lacquer to minimize discoloration or tarnishing. Do not use water when cleaning, as this could damage the motor or cause an electrical shock.

When shipped, the blade and guard on the ceiling fan are preassembled. To disassemble for cleaning purposes:

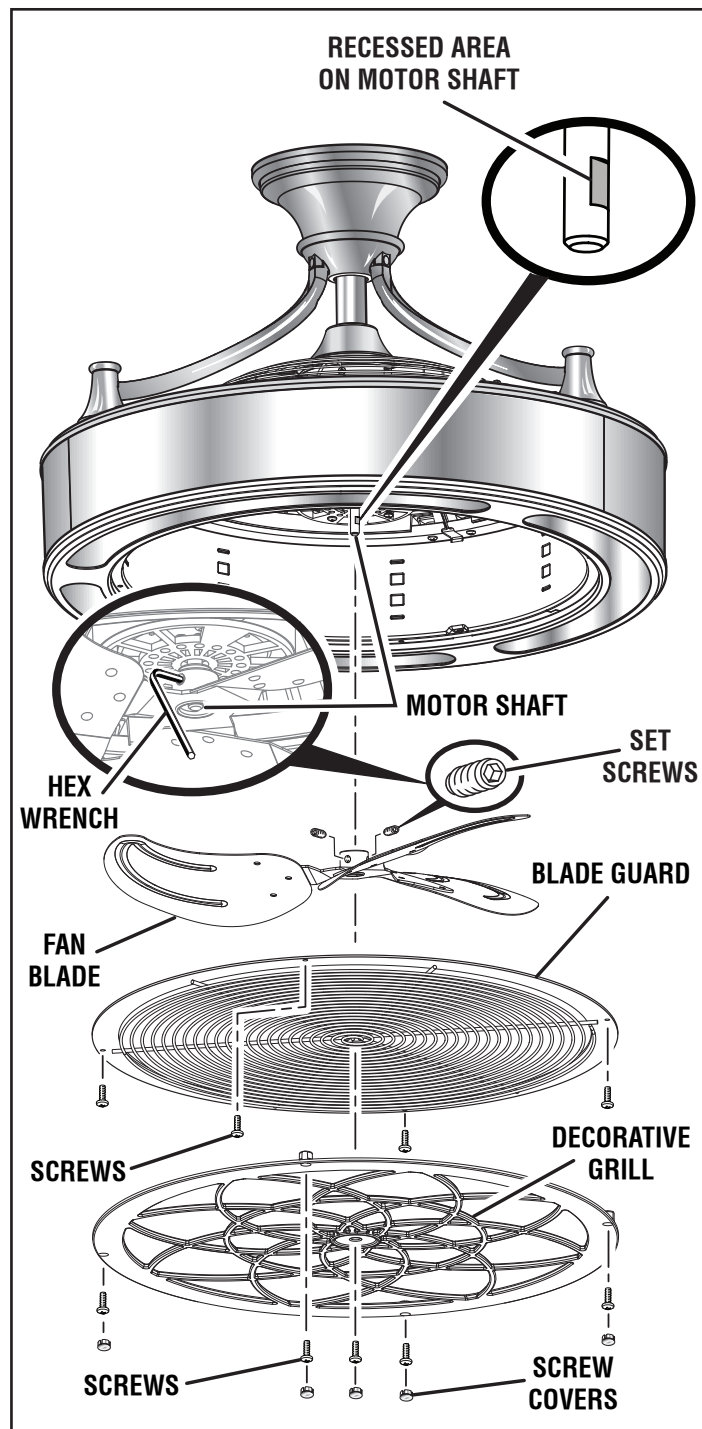
⚠ WARNING:

Turn off power to room and wall switch by removing fuses or turning off circuit breakers as needed before disassembling the ceiling fan. Failure to do so can cause serious personal injury.

- **Using a Phillips head screwdriver (not provided)**, remove the screws securing the decorative grill, then remove the decorative grill.
- Remove the guard screws **with the Phillips head screwdriver**, then remove the blade guard.
- Remove the set screws at the top of the blade head using a 3 mm hex wrench (not provided).
- Remove the blade from the motor shaft.

To reassemble the fan:

- Reinstall the blade on the motor shaft so the shaft opening on the blade straddles the recessed area on the blade shaft.
- Reinstall the set screws and tighten securely.
- Reinstall the blade guard and guard screws; tighten securely.
- Reinstall the decorative grill and screws; tighten securely.



TROUBLESHOOTING

⚠ WARNING:

Turn off power to room and wall switch by removing fuses or turning off circuit breakers as needed before attempting any repairs to the ceiling fan or the electrical connections. Failure to do so can cause serious personal injury.

PROBLEM	POSSIBLE CAUSE
Fan will not start.	<p>Wall switch is turned off. Turn wall switch on.</p> <p>Circuit breaker is tripped or fuse is blown. Reset circuit breaker or replace fuse.</p> <p>Ceiling fan wiring is incorrect. Check the ceiling fan's electrical connections. If you are unable to detect the problem, consult a qualified electrician.</p>
Fan is noisy.	<p>Some noise is natural during the break-in period of the fan. Allow a minimum 24 hours break-in period. Most noises associated with a new fan will be resolved during this time.</p> <p>Ceiling fan housing screws are loose. Make sure all housing screws are snugly tightened.</p> <p>Blade set screw is loose. Retighten the blade set screw.</p>
Fan wobbles.	<p>Pivot ball is not captured in slot on fan mounting bracket. Refer to the instructions under Hanging the Ceiling Fan on page 12 to be sure the ceiling fan is hung correctly.</p> <p>Outlet box is not securely fastened to the ceiling joists. Tighten the outlet box screws or use longer screws, if needed, to fasten securely.</p>
Remote control is not working.	<p>Wall switch is turned off. Turn wall switch on.</p> <p>The remote battery is dead. Replace the CR2032 button-cell battery in the remote control.</p> <p>Wall switch has solid-state speed controls. Do not use a wall switch that has variable speed control (i.e. a dimmer switch).</p> <p>Remote is not paired. To pair, turn the wall switch off, then back on. Within one minute of turning the switch on, press and hold simultaneously for approx. 5 seconds the fan (Ⓕ) and light (💡) on/off buttons on the remote.</p>

ACCESSORIES

Look for these accessories where you purchased this product or call 1-877-258-9740 to order:

- 12 in. Wiring Extension Cable 039858008120
- 18 in. Wiring Extension Cable 039858008180
- 24 in. Wiring Extension Cable 039858008240
- 36 in. Wiring Extension Cable 039858008360
- 48 in. Wiring Extension Cable..... 039858008480
- 60 in. Wiring Extension Cable 039858008600
- 72 in. Wiring Extension Cable..... 039858008720
- Remote Control

⚠ WARNING:

Current attachments and accessories available for use with this product are listed above. Do not use any attachments or accessories not recommended by the manufacturer of this product. The use of attachments or accessories not recommended can result in serious personal injury.

WARRANTY

Limited Lifetime Warranty

WHAT THIS WARRANTY COVERS: For the original purchaser only, your Stile™ ceiling fan motor is warranted to be free of material and workmanship defects for the lifetime of the fan motor. All other ceiling fan parts are warranted to be free of material and workmanship defects for a period of one year.

HOW TO GET SERVICE: To obtain replacement parts or servicing under warranty, please contact a service representative at One World Technologies, Inc., 1428 Pearman Dairy Road, Anderson, SC 29625, by calling 1-877-258-9740, or by logging on to www.TheStileLife.com. When you request warranty service, you must also present proof of purchase documentation, which includes the date of purchase (for example, a bill of sale). We will repair any faulty workmanship, and either repair or replace any defective part, at our option. We will do so without any charge to you.

WHAT'S NOT COVERED: This warranty applies only to the original purchaser at retail and may not be transferred. This warranty does not cover any malfunction, failure, or defects resulting from misuse, abuse, normal wear and tear, neglect, alteration, modification or repairs by other than Authorized Service Centers. This warranty does not cover any damage caused by improper installation or the use of parts not provided or approved by the manufacturer for use with this fan. A certain amount of "wobble" is normal and is not a defect. Due to varying climate conditions, this warranty does not cover changes in the finish from rusting, pitting, tarnishing, corroding, or peeling. You should always protect the fan from varying weather conditions.

All costs of removal and reinstallation are the express responsibility of the purchaser. One World Technologies, Inc., makes no warranties, representations or promises as to the quality or performance of its products other than those specifically stated in this warranty.

ADDITIONAL LIMITATIONS: Any implied warranties granted under state law, including warranties of merchantability or fitness for a particular purpose, are limited to the terms stated above. One World Technologies, Inc. is not responsible for direct, indirect, or incidental damages, so the above limitations and exclusions may not apply to you. This warranty gives you specific legal rights, and you may also have other rights which vary from state to state.

CUSTOMER SERVICE INFORMATION:

For parts or service, or access to an Authorized Service Center, please call 1-877-258-9740 or visit us online at www.TheStileLife.com.

The model number and serial number of this ceiling fan is found on a label located on the top of the fan housing. Please record the serial number in the space provided below. When calling about warranty service or if ordering repair parts, always give the following information:

Model No. _____ **Serial No.** _____



INSTALLATION GUIDE
GUIDE D'INSTALLATION / GUÍA DE INSTALACIÓN

Anderson 22 in. Enclosed Ceiling Fan
Anderson de 22 po Ventilateur de plafond
Ventilador de techo cerrado Anderson de 22 pulg.

CF0111 / CF0121 / CF0131 / CF0141

STILE is a trademark of Techtronic Power Tools Technology Limited.
STILE est une marque de commerce de Techtronic Power Tools Technology Limited.
STILE es una marca comercial de Techtronic Power Tools Technology Limited.

ONE WORLD TECHNOLOGIES, INC.

P.O. Box 1288

Anderson, SC 29622, USA

Phone 1-877-258-9740

www.TheStileLife.com