

Quick Installation Guide

AW4042U

4-Ethernet Port ADSL/ADSL2+ WiFi CPE



1. Install AW4042U

Back Panel



Fig. 1.1 the Back Panel of AW4042U

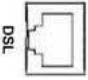


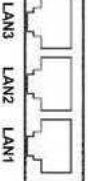


<i>Label</i>	<i>Function</i>
	DSL RJ-45 connector: WAN interface to connect DSL line
	USB USB 2.0 connector: for printer and ext. Memory support
	TV RJ-45 connector: Connect to the PC Ethernet port, or to STB
	LAN 1- 3 RJ-45 connector: Connect to the PC Ethernet port.
	RST Reset button: Reset AW4042U to factory default setting.
	DC-IN Connect to the supplied power converter cable

Table 1.1 Illustration of AW4042U Back Panel

Front Panel

There are 8 LEDs on the front panel which indicate the status of AW4042U showing as below:



Fig. 1.2 the Front Panel of AW4042U

<i>Label</i>	<i>Color</i>	<i>Signalling</i>	<i>Function</i>	
POWER	Green	Flashing	System start-up	
		Lighted	Active connection	
		Off	Power-off / General MODEM error	
INTERNET	Red	Lighted	Factory reset / FW updating	
		Green	Lighted	Active data session
		Flashing	Data transmission	
INFO	Red	Lighted	No DSL correct user data	
		Flashing	PPPoE authentication ongoing	
		Green	Lighted	PIN OK and active PPPoE Session
		Flashing	Data transmission	
		Red	Lighted	Waiting Pin insertion
WLAN	Green	Flashing	PIN OK, waiting authentication	
		Lighted	Wireless on	
		Flashing	Data transmission	
		Off	Wireless off	
DSL	Green	Slow	sending pilot tones	
		Flashing		
		Fast	DSL training	
		Flashing		
		Lighted	DSL synchronized	
LAN1- 3/TV	Green	Off	internal DSL error	
		Flashing	Data transmission	
		Lighted	active connection	
		Off	no active connection	
WLAN			WLAN on/off : long press	
On/off			WPS: short press	

Table 1.2 Illustration of AW4042U Back Panel

Connecting the Hardware



WARNING

Before you begin, turn the power off for all devices.

These include your computer(s), your LAN hub/switch (if applicable), and the AW4042U.

The layout of the ports on your device may vary from the layout shown. Refer to the steps that follow for specific instructions.

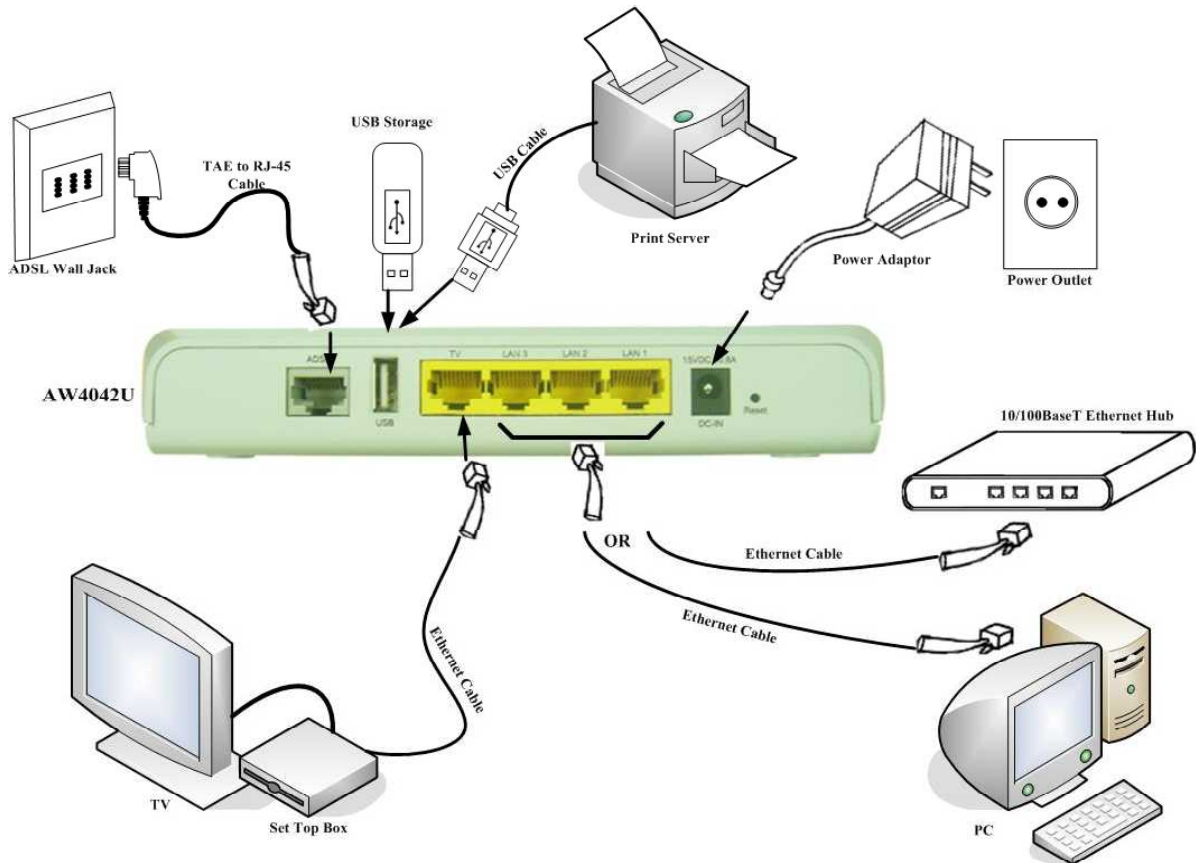


Figure 1.3. Overview of Hardware Connections

2. Login to AW4042U through web browser

- I. Configure your PC IP address as 192.168.1.x within the same subnet as AW4042U (AW4042U default IP is 192.168.1.1) and subnet mask (default is 255.255.255.0).
- II. Connect AW4042U with PC through an Ethernet cable.
 - a. Turn on the power of AW4042U to establish ADSL link.
 - b. Enter the IP address (default is 192.168.1.1) of AW4042U from Web Browser. Login Dialog Box will pop up as following:

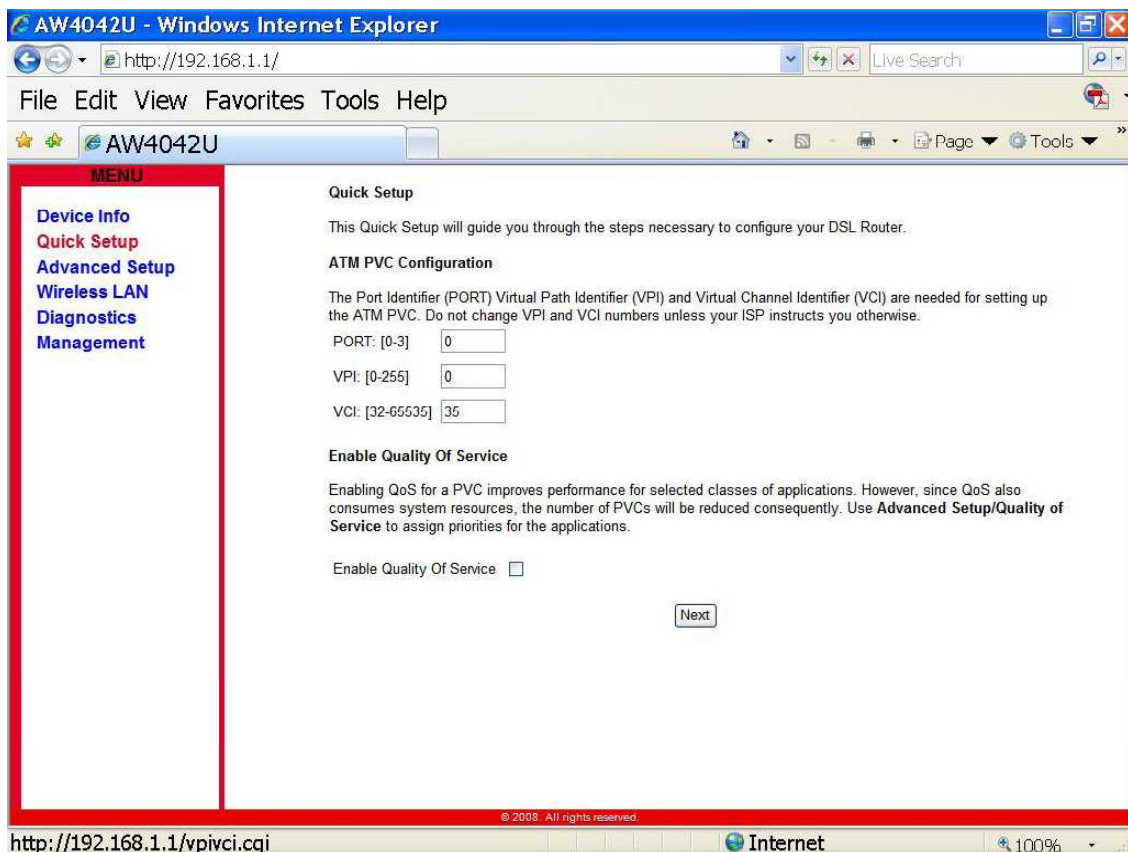


Fig. 2.1 Login Dialog Box

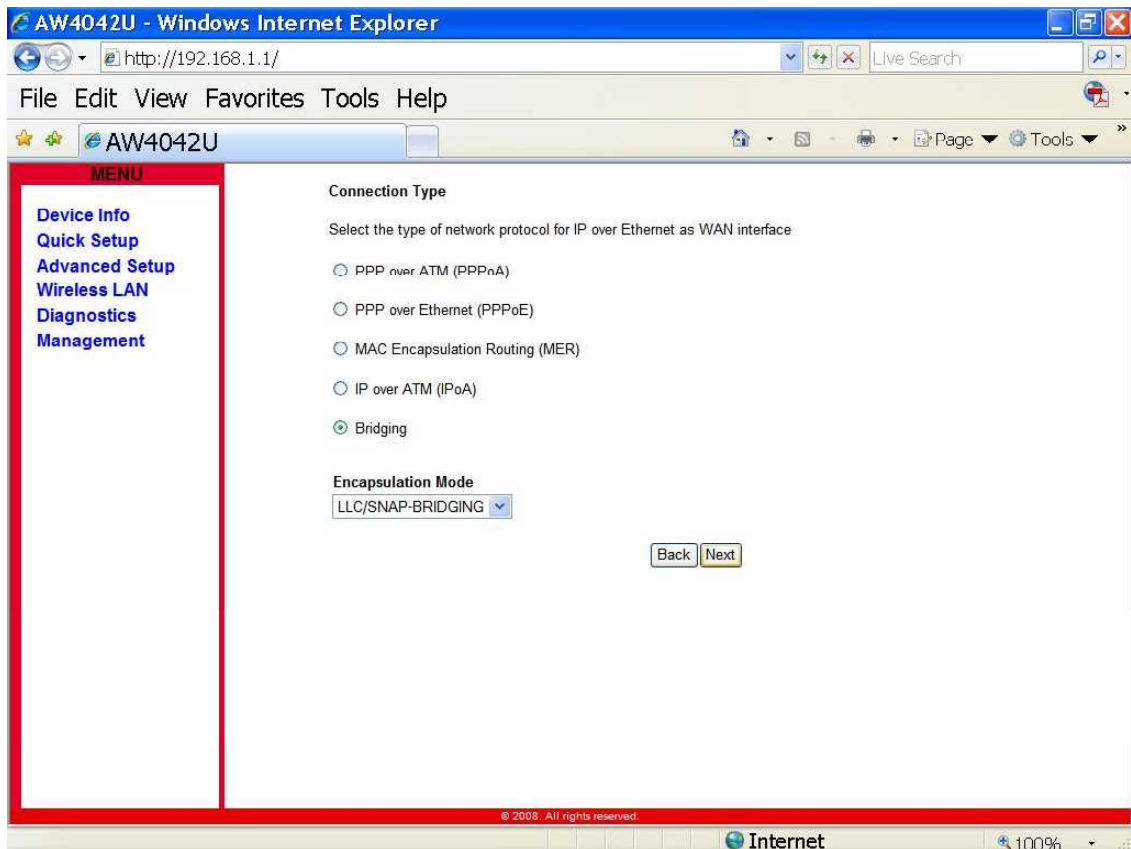
- c. Enter the management *Username/Password* and click the OK button (The default *Username/Password* is *admin/admin*).
- d. The first page will show the first page of Quick Setup. Follow the instructions to configure the AW4042U.

3. Quick Setup

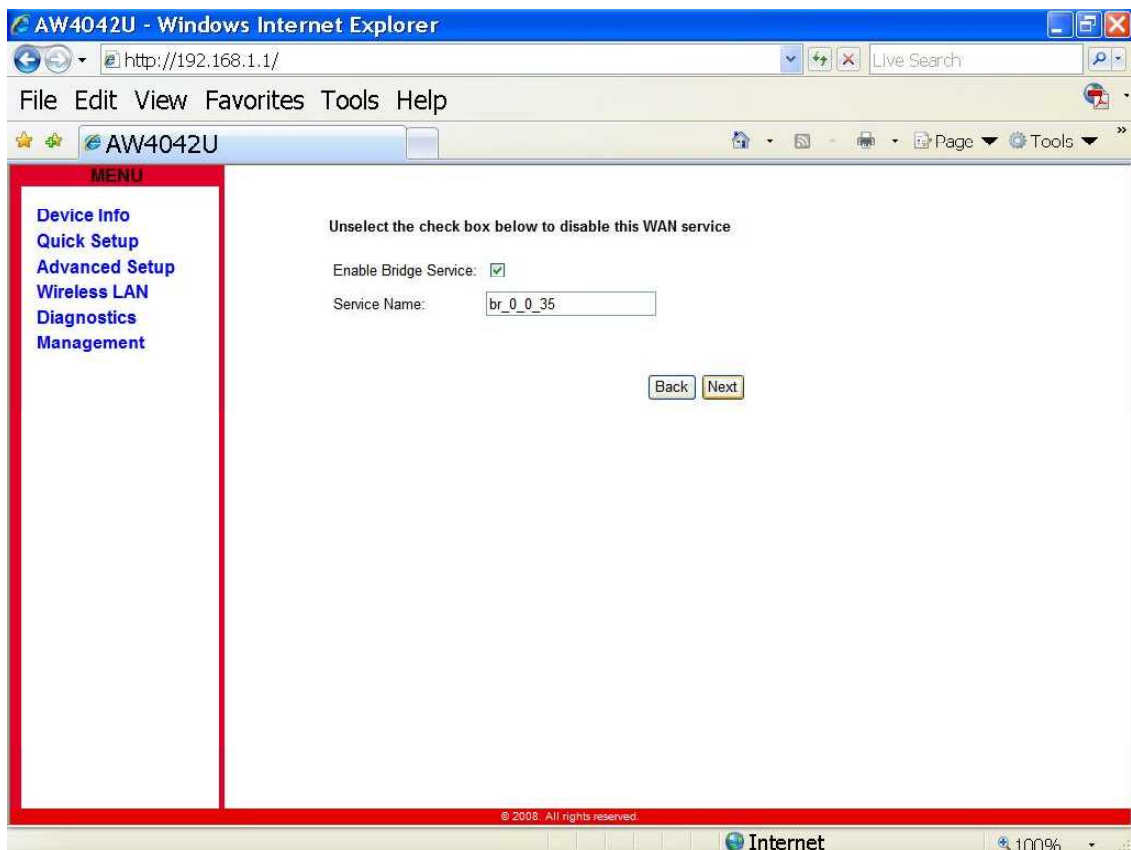
- I. Set up ATM PVC and QoS



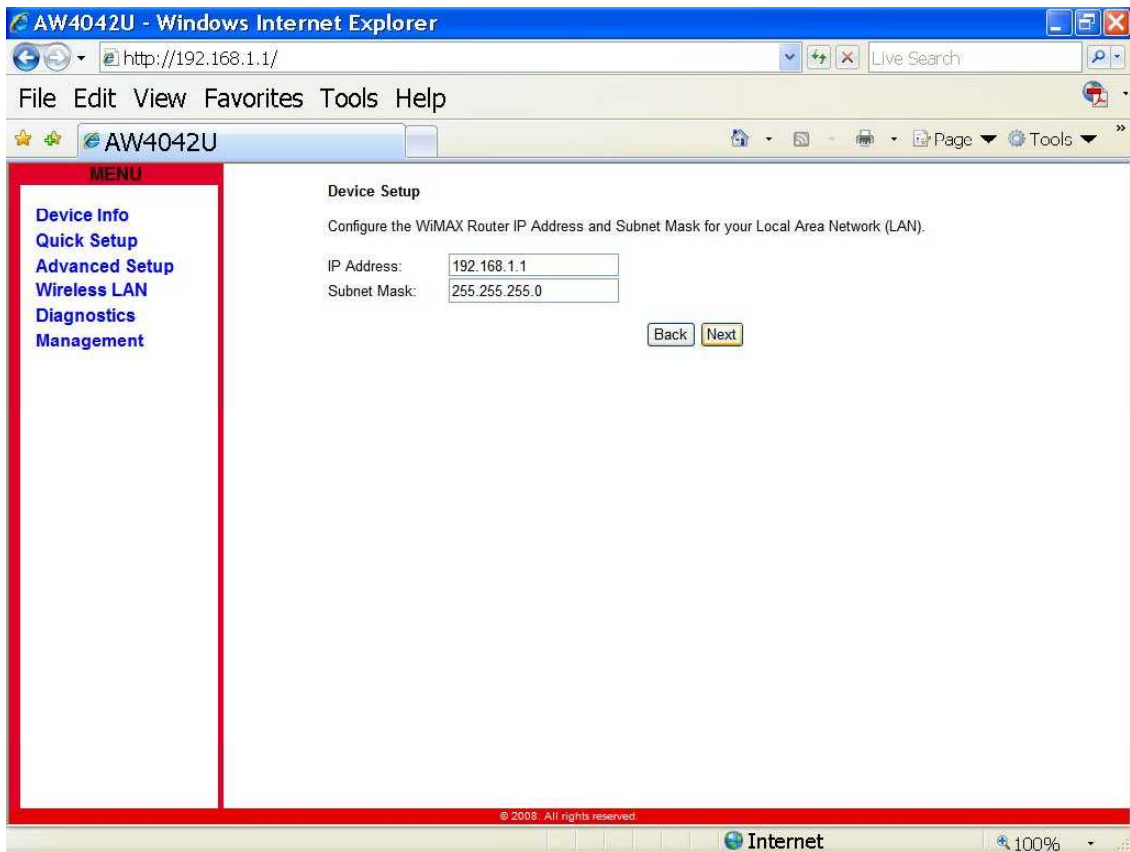
- II. Configure WAN Interface



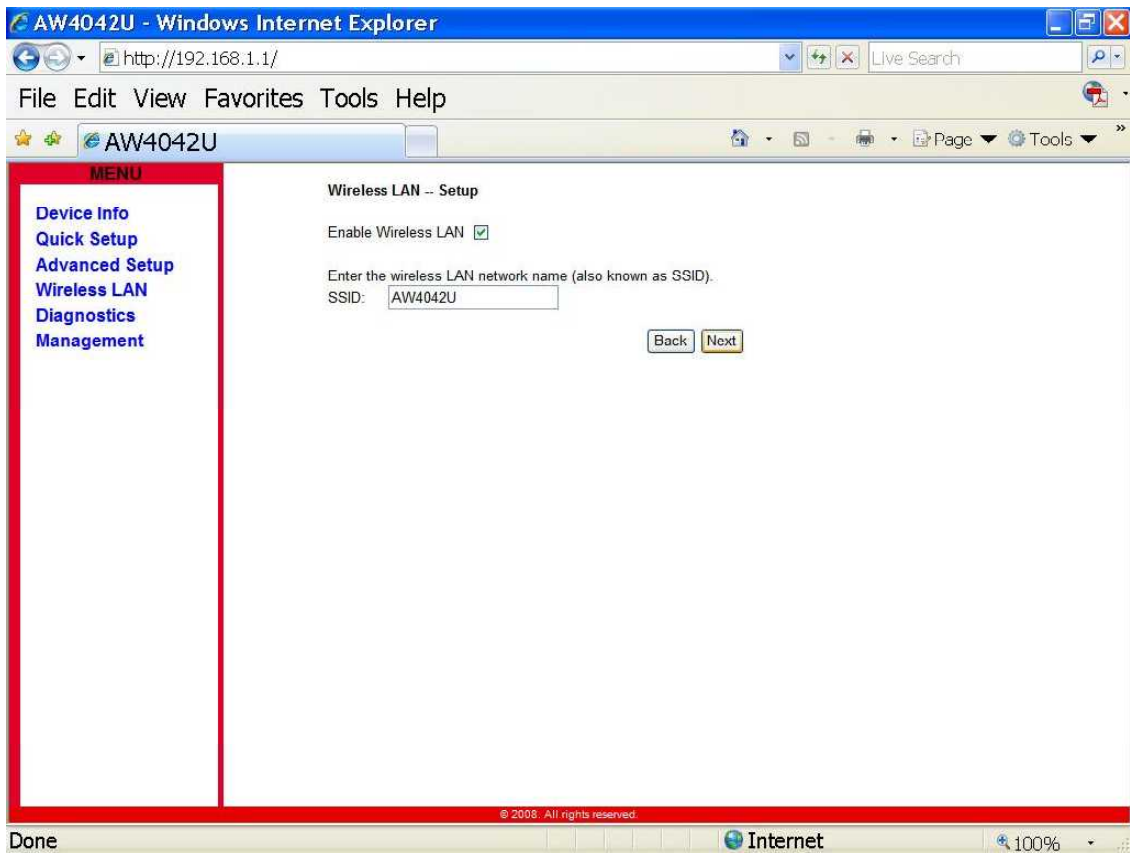
III. Enable/Disable Bridging Service



IV. Configure LAN IP Address and Subnet Mask



V. Setup the Wireless LAN



VI. Save & Reboot

AW4042U - Windows Internet Explorer
http://192.168.1.1/

File Edit View Favorites Tools Help

AW4042U

MENU

- Device Info
- Quick Setup
- Advanced Setup
- Wireless LAN
- Diagnostics
- Management

WAN Setup - Summary

Make sure that the settings below match the settings provided by your ISP.

PORT / VPI / VCI:	0 / 0 / 35
Connection Type:	Bridge
Service Name:	br_0_0_35
Service Category:	UBR
IP Address:	Not Applicable
Service State:	Enabled
NAT:	Disabled
Firewall:	Disabled
IGMP Multicast:	Not Applicable
Quality Of Service:	Enabled

Click "Save/Reboot" to save these settings and reboot router. Click "Back" to make any modifications.
NOTE: The configuration process takes about 1 minute to complete and your DSL Router will reboot.

Back Save/Reboot

© 2008. All rights reserved.

Done Internet 100%

AW4042U - Windows Internet Explorer
http://192.168.1.1/

File Edit View Favorites Tools Help

AW4042U

MENU

- Device Info
- Quick Setup
- Advanced Setup
- Wireless LAN
- Diagnostics
- Management

Router Reboot

The Router has been configured and is rebooting.

Close the Router Configuration window and wait for 2 minutes before reopening your web browser. If necessary, reconfigure your PC's IP address to match your new configuration.

© 2008. All rights reserved.

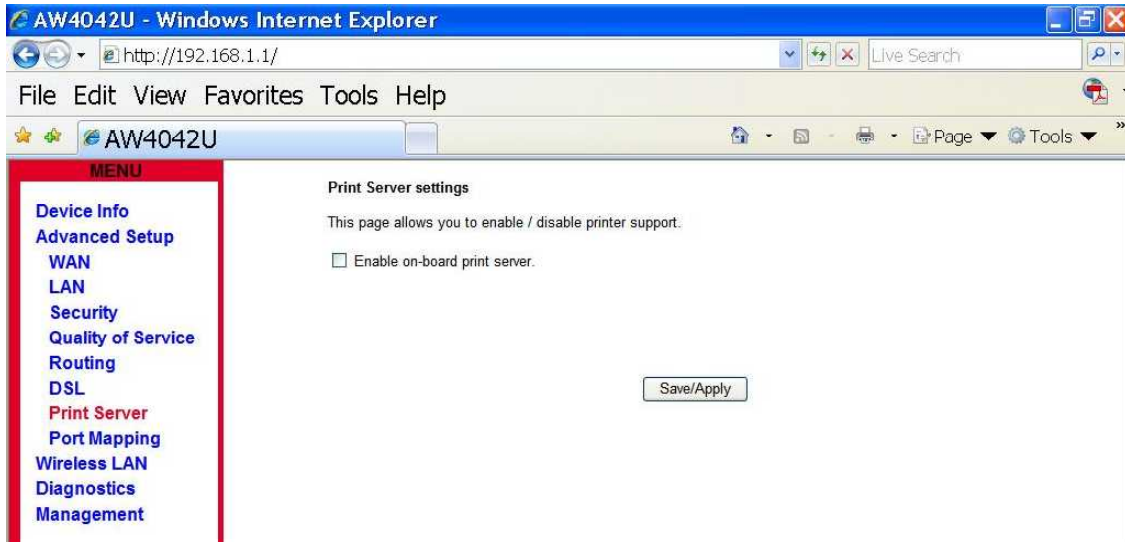
5. USB

To connect USB devices, the IAD provides an USB 2.0 port.

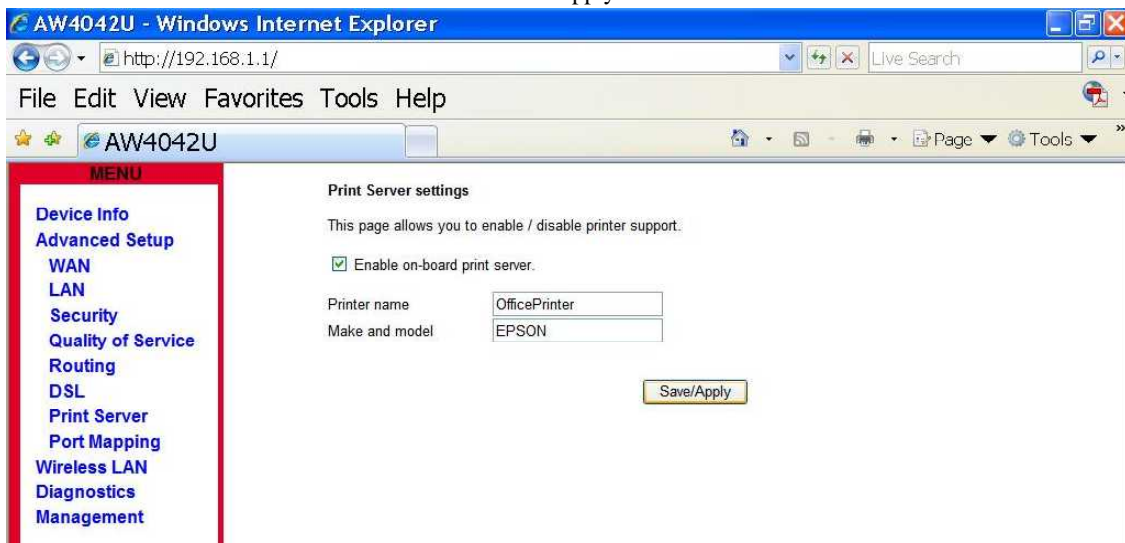
I. Print Server

AW4042U includes a print server that allows connecting one printer via USB. All PCs of the IAD have access to these printers.

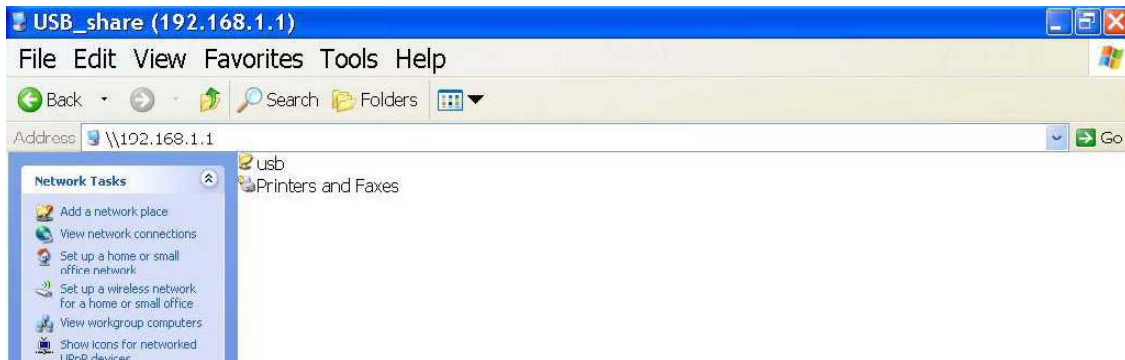
- a. Go to Advanced Setup – Print Server to Enable Print Server Service



- b. Enter the Printer Name then Click Save/Apply



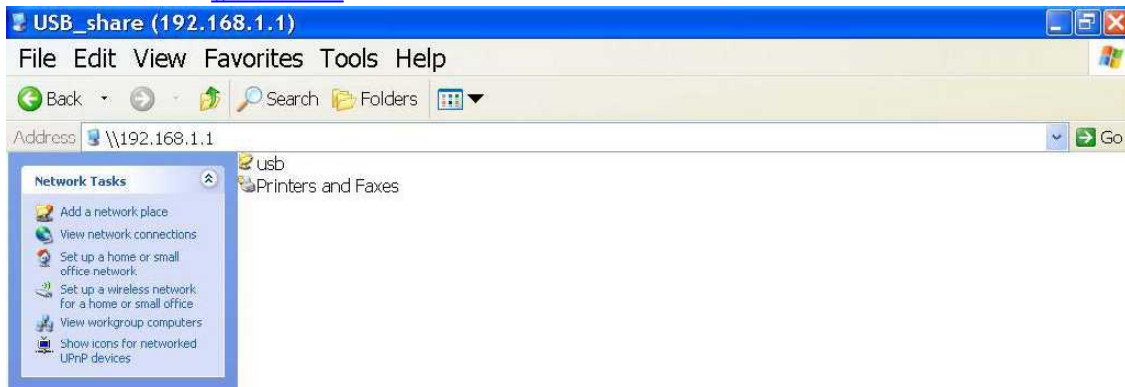
- c. Enter [\\192.168.1.1](http://192.168.1.1) in the Web Browser and Locate the Network Printer in the Network.



II. Network Storage

AW4042U provides a file server utility, allowing you to manage (read/write/delete) files on a Network Attached Storage (NAS, i.e. hard disc or memory stick). AW4042U supports external hard discs up to a maximum of 5V/500mA which is 2.5W. When a hard disc needs more power, then this hard disc needs an own power supply. AW4042U does support FAT32, NTFS and Linux/Unix (EXT2 / 3) file system.

- a. Connect the USB Hard Disk or Memory Stick to the USB Port
- b. Enter [\\192.168.1.1](http://192.168.1.1) in the Web Browser and Locate the USB Drive.



5. Update Software and Restore default settings

I. Update Software



Fig. 5.1 Management – Update Software

Click “*Management->Update Software*” on the left frame. Locate the location of the software image, or select the file by browsing the file system. Click ‘*Update Software*’ button and the system will reboot after update complete.

II. Restore Default

Click “*Management->Settings->Restore Settings*” on the left frame. Click ‘*Restore Default Settings*’ button

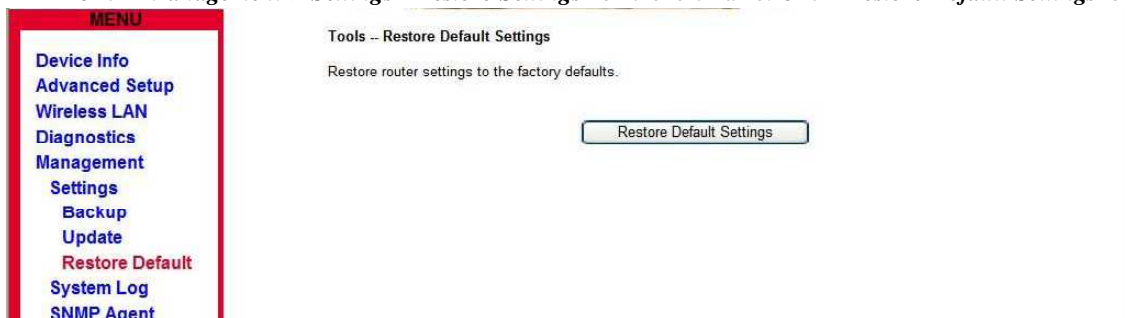


Fig. 7.2 Tools – Restore Default Settings

6. Change Password

Click “*Management->Access Control->Passwords*”, input the data and click “*Save/Apply*”

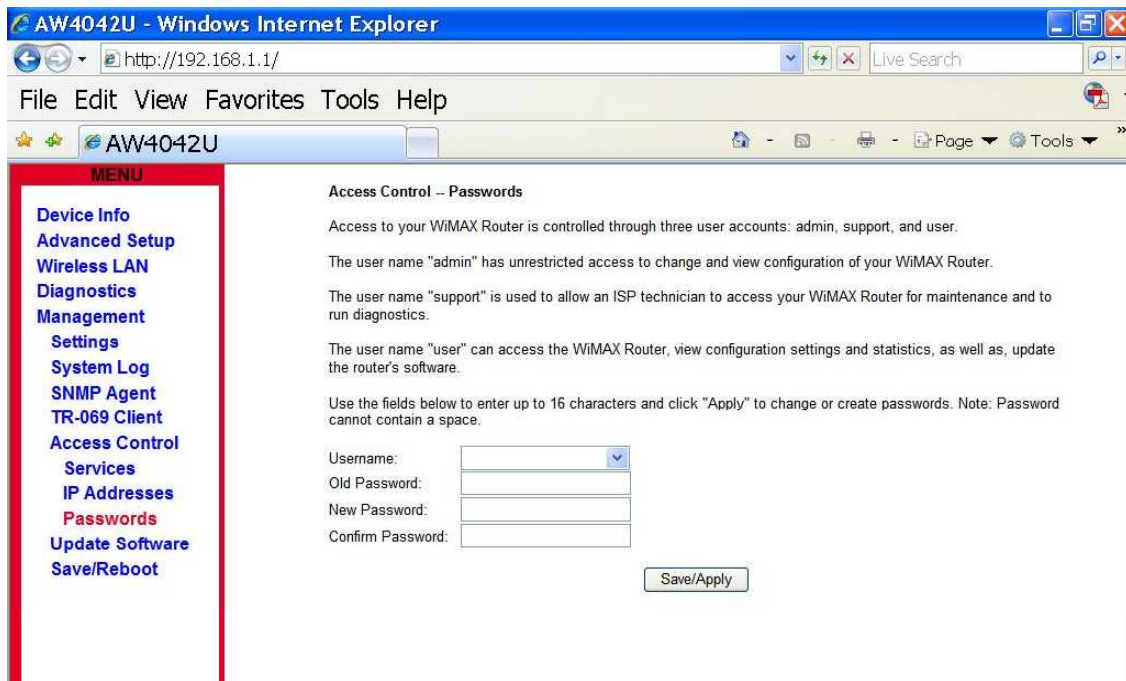
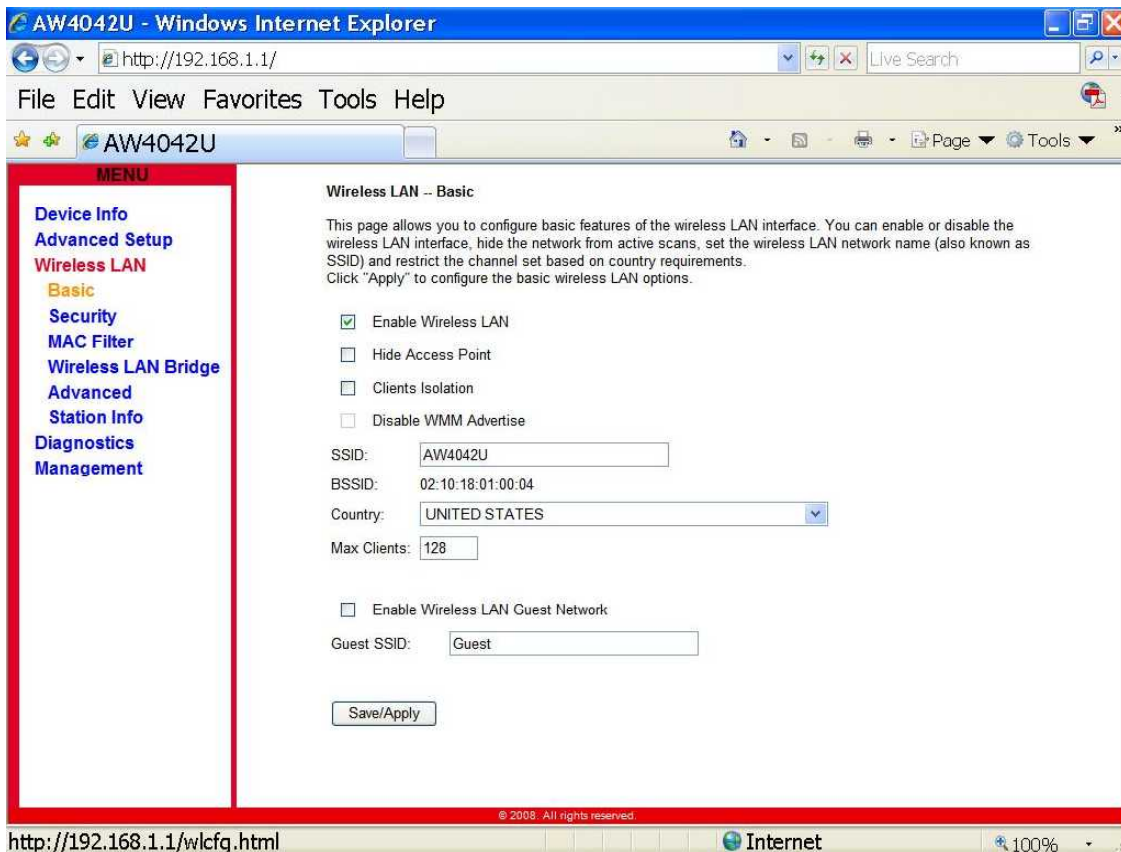


Fig. 6.1 Access Control--Passwords

9. Wireless

Click “*Wireless*”, input the data and click “*Save/Apply*” as Figure 9.1 Wireless -- Basic



Federal Communication Commission Interference Statement

This equipment has been tested and found to comply with the limits for a Class B digital device, pursuant to Part 15 of the FCC Rules. These limits are designed to provide reasonable protection against harmful interference in a residential installation. This equipment generates, uses and can radiate radio frequency energy and, if not installed and used in accordance with the instructions, may cause harmful interference to radio communications. However, there is no guarantee that interference will not occur in a particular installation. If this equipment does cause harmful interference to radio or television reception, which can be determined by turning the equipment off and on, the user is encouraged to try to correct the interference by one of the following measures:

- Reorient or relocate the receiving antenna.
- Increase the separation between the equipment and receiver.
- Connect the equipment into an outlet on a circuit different from that to which the receiver is connected.
- Consult the dealer or an experienced radio/TV technician for help.
-

This device complies with Part 15 of the FCC Rules. Operation is subject to the following two conditions: (1) This device may not cause harmful interference, and (2) this device must accept any interference received, including interference that may cause undesired operation.

FCC Caution: Any changes or modifications not expressly approved by the party responsible for compliance could void the user's authority to operate this equipment.

IEEE 802.11b or 802.11g operation of this product in the U.S.A. is firmware-limited to channels 1 through 11.

IMPORTANT NOTE:

FCC Radiation Exposure Statement:

This equipment complies with FCC radiation exposure limits set forth for an uncontrolled environment. This equipment should be installed and operated with minimum distance 20cm between the radiator & your body.

This transmitter must not be co-located or operating in conjunction with any other antenna or transmitter.

The availability of some specific channels and/or operational frequency bands are country dependent and are firmware programmed at the factory to match the intended destination. The firmware setting is not accessible by the end user.