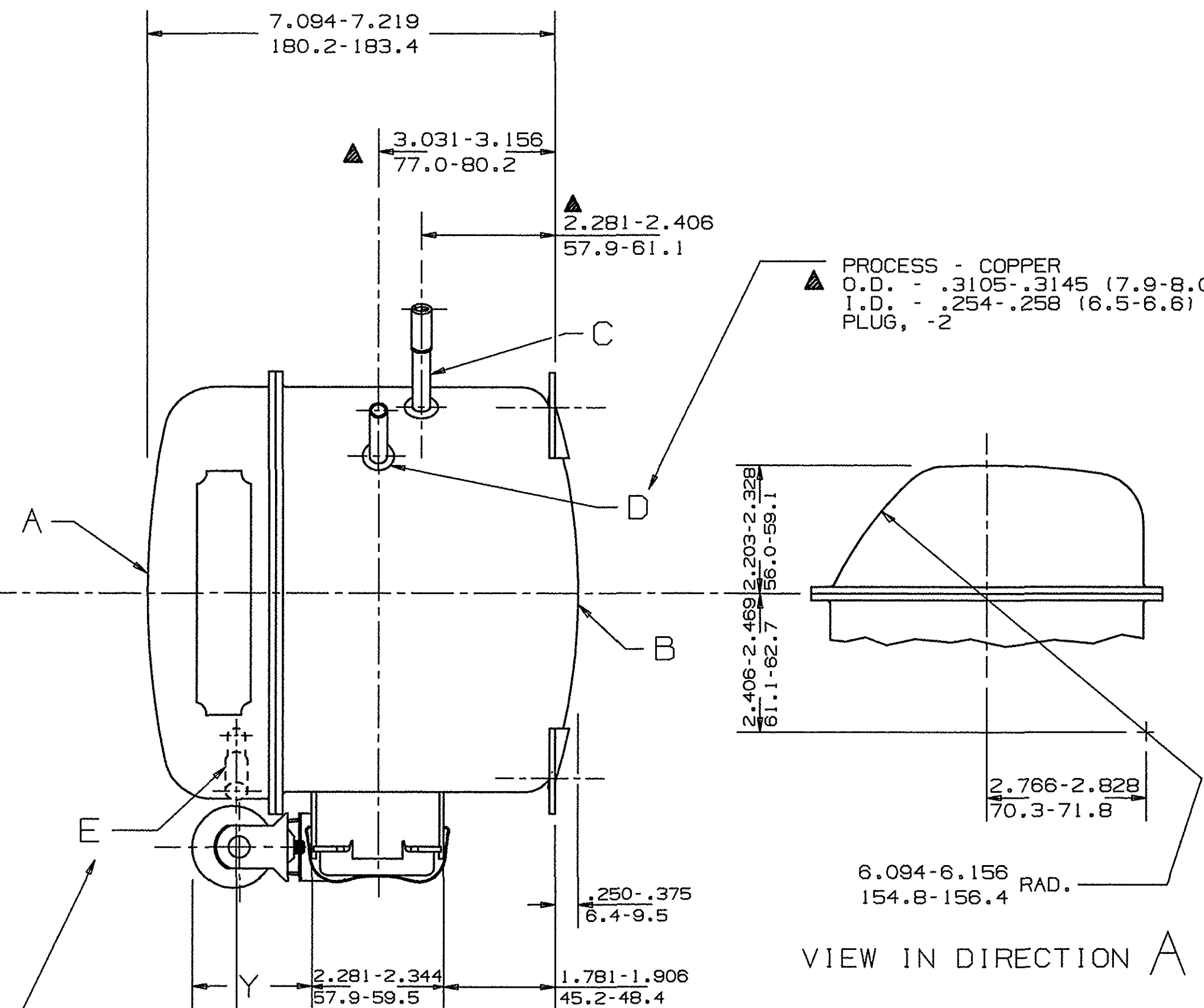
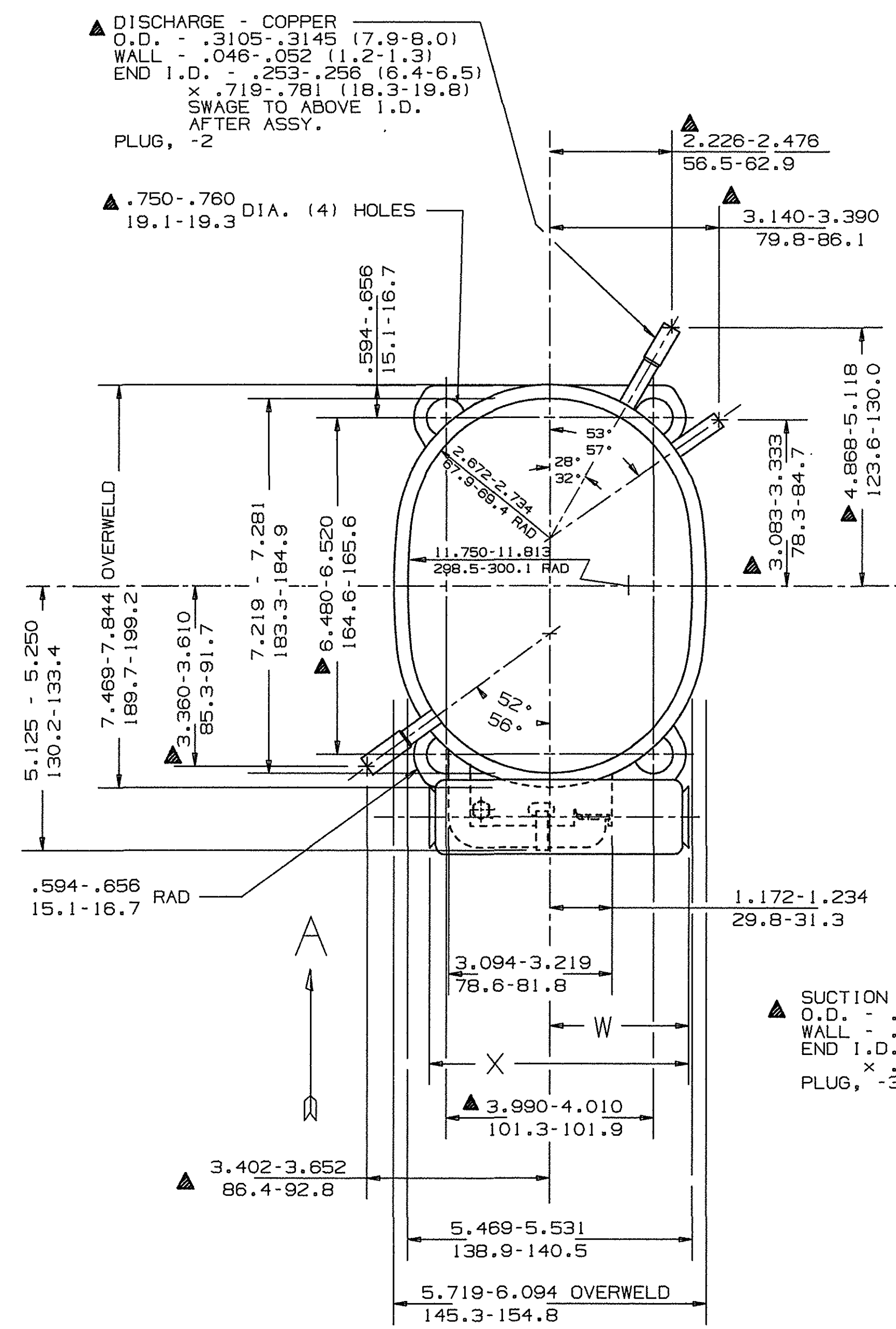


	DIM.W	DIM.X	DIM.Y
WITH 3.875 (98.4) LONG CAPACITOR	1.788-2.038 45.4-51.8	4.078-4.141 103.6-105.2	
WITH 1.438 (36.5) DIA. CAPACITOR			1.989-2.031 50.0-51.6
WITH 4.875 (123.8) LONG CAPACITOR	2.436-2.686 61.9-68.2	5.078-5.141 129.0-130.6	
WITH 1.813 (46.1) DIA. CAPACITOR			2.344-2.406 59.5-61.1



NOTE:
1. IF SPECIFIED ON BILL OF MATERIAL ASSEMBLE THESE PARTS AS SHOWN.
2. SEE SPEC. "A-B" & "A-C" FOR PROCESSING.

DIMENSIONS = INCHES / MILLIMETERS OR INCHES (MILLIMETERS)

Q.A. SYMBOLS

- ★ = CATEGORY I
- ▲ = CATEGORY II
- = CATEGORY III
- = CATEGORY IV

A	32085-1
B	HA531-31
C	34461-1
D	58073-5
E	34134

WAS EXDCAE1989 11/18/91	DATE	340	DIS. CODE	NAME	SALES COMPRESSOR
REL #218280	CHANGE			DWN. BRODERICK 5/30/90	CK. M. RAUGH 11-18-91
LT LC				APR. ZLAWEN	SCALE 1"=2"
<p>THIS DRAWING OR PRINT IS THE PROPERTY OF TECUMSEH PRODUCTS COMPANY AND IS NOT TO BE REPRODUCED OR TRANSMITTED IN ANY FORM OR BY ANY MEANS, ELECTRONIC OR MECHANICAL, INCLUDING PHOTOCOPYING, RECORDING, OR BY ANY INFORMATION STORAGE AND RETRIEVAL SYSTEM, WITHOUT THE WRITTEN PERMISSION OF TECUMSEH PRODUCTS COMPANY. APPROVED FOR PRINTING BY TECUMSEH PRODUCTS COMPANY.</p>				<p>THIS PRINT SUPERSEDES ALL PRINTS PRIOR TO</p>	
<p>TECUMSEH PRODUCTS CO. TECUMSEH, MICHIGAN</p>				<p>PART NO. DCAE915</p>	
<p>INTERNAL USE ONLY</p>				<p>NOTED</p>	
<p>©UGIDISK1: BRODERICK: AE-DCAE915.REL.PRT</p>					