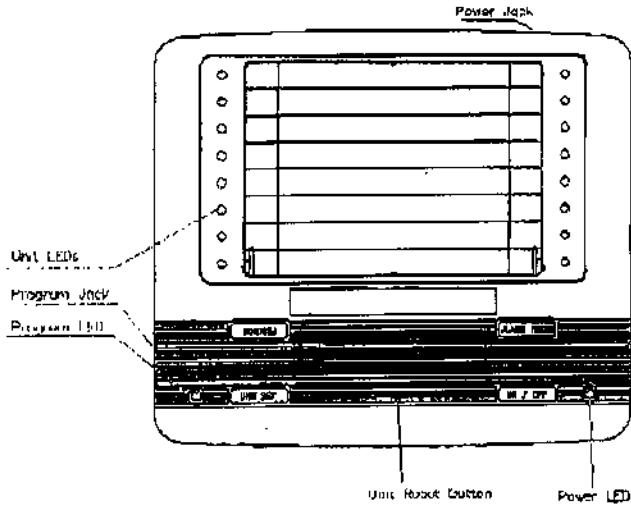
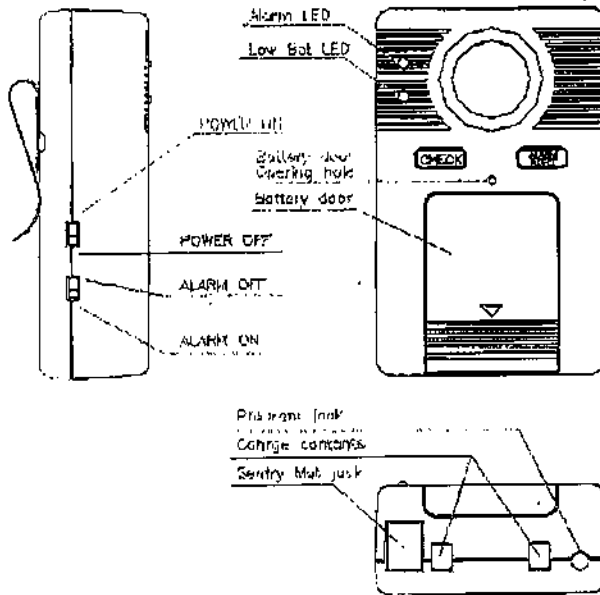


Reference Guide

SETUP



BASE UNIT



TRANSMITTER UNIT

Base Station setup

1. Plug the power cable into the base station and then into the wall outlet if necessary.
2. Power on the unit by pressing the ON/OFF button.

Transmitter setup

1. Slide down and lift off the battery cover with a ball pen or other tools.
2. Insert the new battery pack then shut the battery compartment with cover.
3. Slide the Power On/Off switch to on.
4. Set local Alarm On/Off switch to corresponding location.
5. Both LEDs flash slowly to indicate the unit is not installed.

Charger setup

1. Plug the power cable into the charger unit.

INSTALLATION

Note: Before you use the transmitter for the first time, charge it for at least 14 hours. This precaution helps to lengthen the life of the battery.

1. Power up the base unit and press "RESET CODE" button once. (Press "RESET CODE" button again in 5 seconds while PROGRM LED flashing for re-programming).
2. Plug the program cable to Base unit and Transmitter, LEDs of transmitter will quickly flash to indicate connection successfully.
3. Press and hold the "SETUP" button of the Base unit until the "SETUP" LED lights up.
4. Select one of 16 locations in sequence by pressing "SETUP" button.
5. Press and hold "SETUP CONFIRM" button for 2 second to assure. The "SETUP" LED on Base unit will turn off and "ALARM" LED on transmitter will turn off once if installation successfully.
6. Disconnect the program cable, all LEDs of Transmitter turn off.
7. Press the "CHECK" button of Transmitter once, the corresponded unit LED on Base unit will light up one second.
8. Repeat step 2~7 for other Transmitters.

OPERATION**Monitoring**

1. Plug the monitor pad to the Transmitter.

2. When the pressure is detected, a confirmation beep will sound. The Base unit will start monitoring the status of that unit automatically.
3. The "ALARM" LED of Transmitter will turn on every 12 seconds when the unit sends out command to Base unit.
4. The Base unit will turn off corresponding LED when a valid command is received.

Alerting

1. When the pressure of the monitor pad is released for 2 seconds. "ALARM" LED and warning tone on Transmitter turn on.
2. Moreover, the alarm will sound and corresponded unit LED will turn on at Base unit.

Release Alerting

1. When the pressure is detected again form the monitor pad, both Transmitter and Base unit will return to normal state. Or,
2. Press the "ALARM RESET" button of the Base unit can turn off the alarm sound and corresponded unit LED for 3 minutes. Then, they will turn on again until the pressure is detected again or Transmitter logout.

Logout

1. Press and hold "ALARM RESET" button on Transmitter for 1.5 second while alerting, local alarm and alarm LED off, the unit will return to Standby mode. Or,
2. When the "ALARM RESET" button of the Transmitter is pressed, the pressure should be release within 5 seconds before the unit return to standby mode.
3. A long beep will sound before returning to standby mode.

Battery Low and Out of range

1. Once the Transmitter is battery low, "BATT LOW" LED will blink and a "battery low" command will be transmitted to Base unit.
2. The corresponded unit LED will flash and low battery beep sound on Base unit if "battery low" command is received or no command is received (out of range) in 55 seconds.

CHARGING

Normal Charging

1. Logout the unit as above.
2. Put the unit on charger.
3. "ALARM" LED flash when battery is fully charged.

Monitoring while charging

1. Disconnect the monitoring pad from Transmitter and re-connect it to the jack on charger.
2. Put the Transmitter to charger. The unit will provide services as normal even it is power off.

Warning: Changes or modifications to this unit not expressly approved by the party responsible for compliance could void the user's authority to operate the equipment.

Notes: This equipment has been tested and found to comply with the limits for a Class B digital device, pursuant to Part 15 of the FCC Rules. These limits are designed to provide reasonable protection against harmful interference in a residential installation. This equipment generates, uses and can radiate radio frequency energy and, if not installed and used in accordance with the instructions, may cause harmful interference to radio communications.

However, there is no guarantee that interference will not occur in a particular installation. If this equipment does cause harmful interference to radio or television reception which can be determined by turning the equipment off and on, the user is encouraged to try to correct the interference by one or more of the following measures.

- Increase the separation between the equipment and receiver.
- Connect the equipment in to an outlet on a circuit different from that to which the receiver is needed.
- Consult the dealer or an experienced radio/TV technician for help.
- Reorient or relocate the receiving antenna.