

Technical Note

Subject: **User Manual and instructions for Telecell 2 - N. America**

Date: 13 Jun 2016

Document ref: 6LT071 02

Intentionally Blank

Telesna

Telecell 2 User Manual

N. America Products

Contents

- CONTENTS.....3
- 1 OPERATIONAL SAFETY NOTICES.....4
- 2 PRODUCT FUNCTION4
- 3 TELECELL VARIANTS.....4
- 4 SPECIFICATIONS4
 - 4.1 US TYPE PRODUCTS, T2A... 4
 - 4.2 NOTES ON DIMMING CONTROL OUTPUTS5
- 5 INSTALLATION INSTRUCTIONS5
 - 5.1 DIMMING CONTROL NEMA TELECELL T2A1N5
 - 5.2 STANDARD (NON DIMMING) NEMA TELECELL T2A1N5
 - 5.3 POST TOP TELECELL TYPE T2A1P.....5
 - 5.4 TWO-PART TELECELL TYPE T2A1T6
- 6 INSTALLATION LOGGING6
- 7 TELECELL CONNECTION DIAGRAMS7
- 8 NOTICES FOR PRODUCTS OPERATED IN THE USA & CANADA.....10

1 Operational Safety Notices

Installer

Installers must be suitably trained and qualified for electrical work, according to the laws and local codes for the locality and country where the unit will be installed.

This unit must only be installed by personnel that have been trained by Telensa or their representatives to carry out this work.

Power Supply

In the case of field installation the supply voltage present on the luminaire NEMA socket is hazardous and all necessary precautions must be taken to ensure the safety of the installer. Isolate the supply to the NEMA socket before removing an old photocontrol, and installing the telecell.

2 Product function

The telecell is a radio controlled device and will only function as part of a Telensa Central Management System (CMS). Telecells are assigned to a specific CMS and cannot be transferred to another CMS without being re-assigned by Telensa.

The telecell operating program is set by the CMS and dusk/dawn lamp switching is remote controlled over the radio link by the associated CMS base stations. Typical maximum radio link distances are 2-3km in a urban areas and 3-10km in rural areas, depending on the terrain.

3 Telecell Variants

There are two key variants of the Telecell 2 model; dimming control and standard / non-dimming control. Dimming control products are identified by the text “0-10V & DALI” on the product label.

Telecell products are built and supplied to either the EU or US standards:

US product part numbers start with T2A...

The products are supplied with NEMA pin connections for insertion into the photocell socket on top of a luminaire.

4 Specifications

4.1 US Type Products, T2A...

Electrical Parameters:	Supply voltage:	100 - 277 VAC, 50-60Hz
	Maximum switching current:	10A
Radio:	Transmit Power:	100mW EIRP
	Operating band:	915MHz license free ISM band
Operating Temperature:	NEMA variants:	-40 to 70 °C Ambient

4.2 Notes on dimming control outputs

These notes apply to products with the integrated dimming control function:

- Suitable for use with dimmable ballasts with an isolated or non-isolated control input
- DALI or 0-10V control mode is auto-selected by the telecell by communicating with the connected ballast.
- 0-10V control requires the normally fitted internal pull-up resistor in the ballast
- DALI control includes the DALI supply function within the telecell and is suitable for controlling from one to three dimmable ballasts.

5 Installation Instructions

Instructions for the installation of each of the different variants of Telecell are given below. Figure 2 shows a wiring diagram for a standard lamp with a non-dimmable ballast. Figure 3 shows dimming control using a dimmable ballast.

Once installed and power is applied then the telecell will automatically switch on to apply power to the lamp as an installation test. After one minute the lamp will be switched off and the telecell will search and lock to the radio control signals from the system base stations.

5.1 Dimming Control NEMA Telecell T2A1N

A dimming control telecell will ONLY control a lamp that incorporates a 5 or 7 pin NEMA socket compliant with ANSI C136.41 2013.

Insert unit into NEMA socket on street light ensuring the largest tab on the unit places into the largest tab recess on the NEMA socket on the street light. Turn by hand clockwise typically 30 degrees to lock in place.

5.2 Standard (non dimming) NEMA Telecell T2A1N

Insert unit into NEMA socket on street light ensuring the largest tab on the unit places into the largest tab recess on the NEMA socket on the street light. Turn by hand clockwise typically 30 degrees to lock in place.

5.3 Post Top Telecell type T2A1P

This product is for installation within the photocontrol cavity of post top mounted heritage style lanterns. A separate “twig” style antenna must be installed with this telecell, which has no internal antenna.

First, do a trial installation of the telecell in the lantern socket to check the location of the telecell antenna socket. The antenna cable will have to reach to this socket. Mark a suitable location for the antenna on the outside of the luminaire and unplug and remove the telecell.

Drill a half inch (12.5mm) hole in the luminaire case to mount the antenna and fit it in place. When fitting the antenna use all the waterproofing gaskets as provided and ensure that the metal grounding teeth on the antenna base make contact inside the luminaire case.

Fit the telecell to its socket then attach the antenna lead connector to the telecell antenna connector. Tighten by hand gently, there is no need for a high torque. If necessary, use a 5/16in wrench. The maximum torque is 3in-lbf.

Use only the antenna supplied by Telensa for this application. Antenna part no: IN 1608.

5.4 Two-part Telecell type T2A1T

This product is intended for installation within a luminaire that has no NEMA socket, or insufficient space for fitting a NEMA socket. An external antenna must be fitted for the telecell to function.

When safe, open the luminaire and install the two-part telecell as follows:

First drill a half-inch (12.5mm) hole in a suitable flat area of the luminaire wall to fit the external antenna, making sure there is clearance inside the luminaire for the antenna cabling. When fitting the antenna use all the waterproofing gaskets as provided and ensure that the metal grounding teeth on the antenna base make contact inside the luminaire case.

Find a suitable location for the two-part telecell inside the luminaire and fix it in place. Wire the telecell following the wiring diagram in fig 2 or fig 3 of this document. Next attach the telecell antenna lead to the antenna connector. Tighten by hand gently, there is no need for a high torque. If necessary, use a 5/16in wrench. The maximum connector torque is 3in-lbf.

Use only the antenna supplied by Telensa for this application. Antenna part no: IN 1608.

6 Installation logging

The telecell ID number, the OSID, is bar coded and located underside the unit. This OSID must be recorded with the ID or geographic co-ordinates of the lamp under control and recorded in the CMS database. There are a number of different methods to achieve this and installers will be trained with the appropriate method for their system.

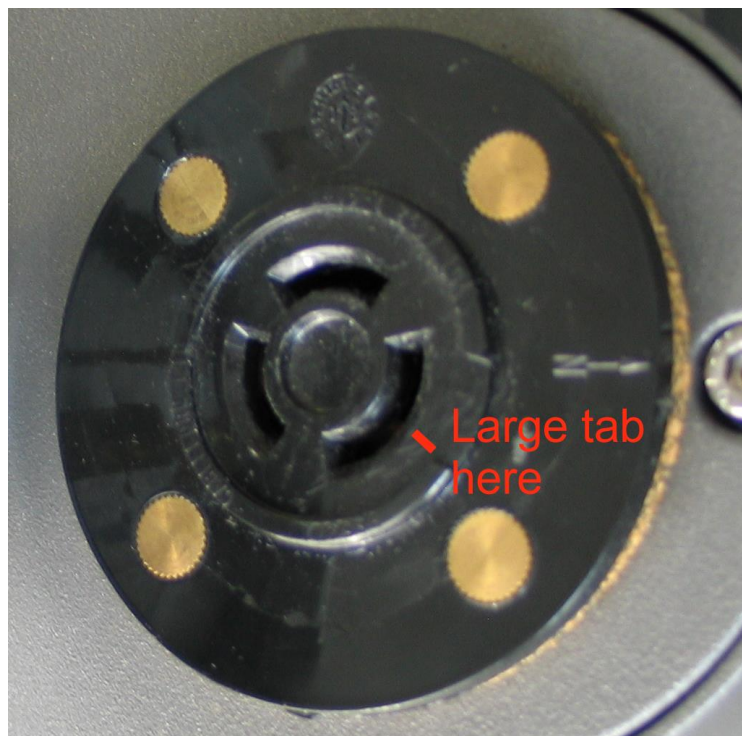


Fig 1: Example NEMA socket showing alignment

7 Telecell Connection Diagrams

Refer to figures 2 and 3.

Colour code	Function	Notes
Black	LIVE/LINE in	
White	NEUTRAL in	Shown BLUE in wiring diagrams
Red	LIVE switched out	Relay switched inside telecell
Violet	+ Dimmer control	Integrated dimming function telecells only. DALI control is not polarity sensitive.
Grey	- Dimmer control	

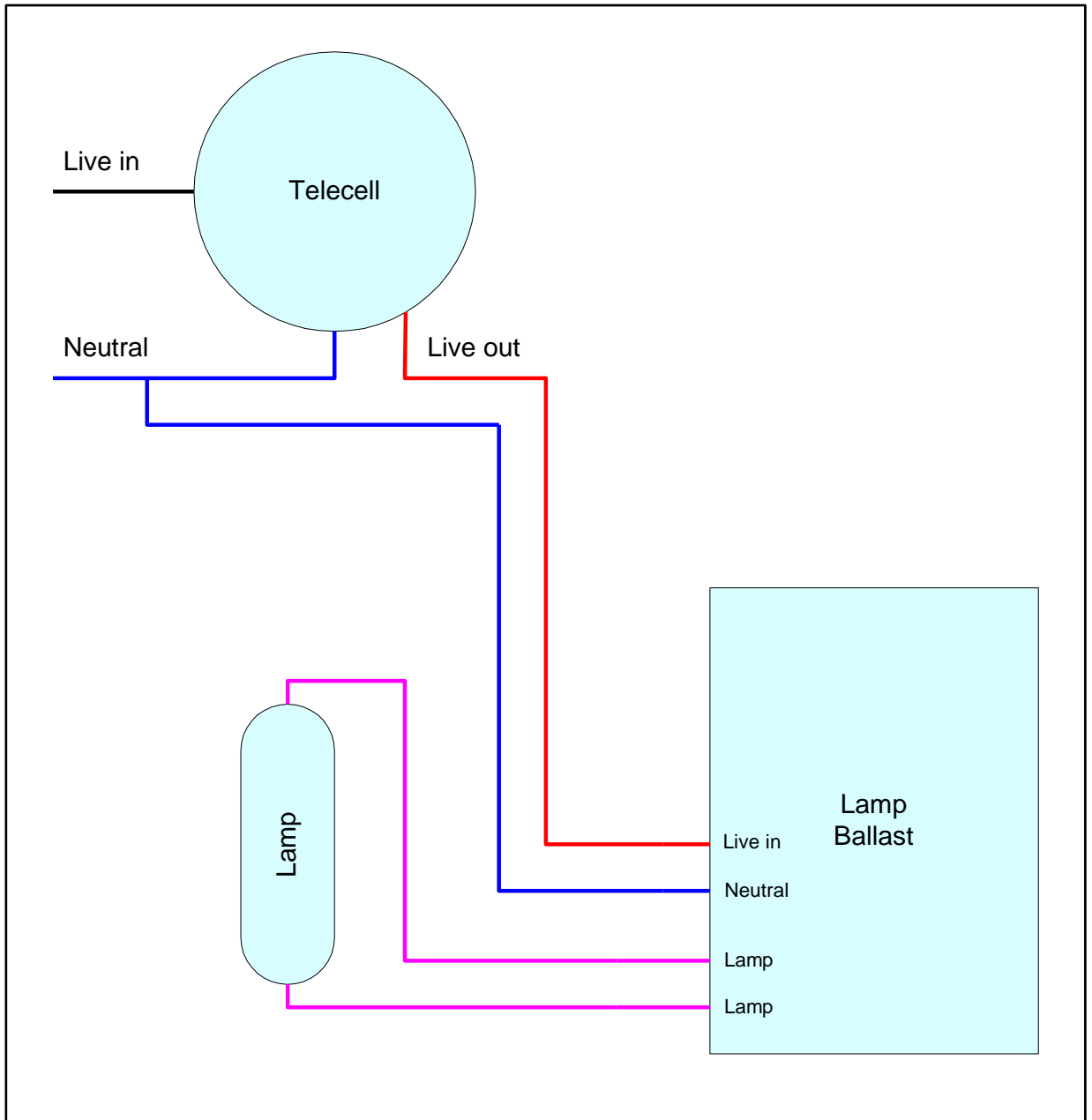


Figure 2: Wiring Diagram for Telecell - No Dimming Function

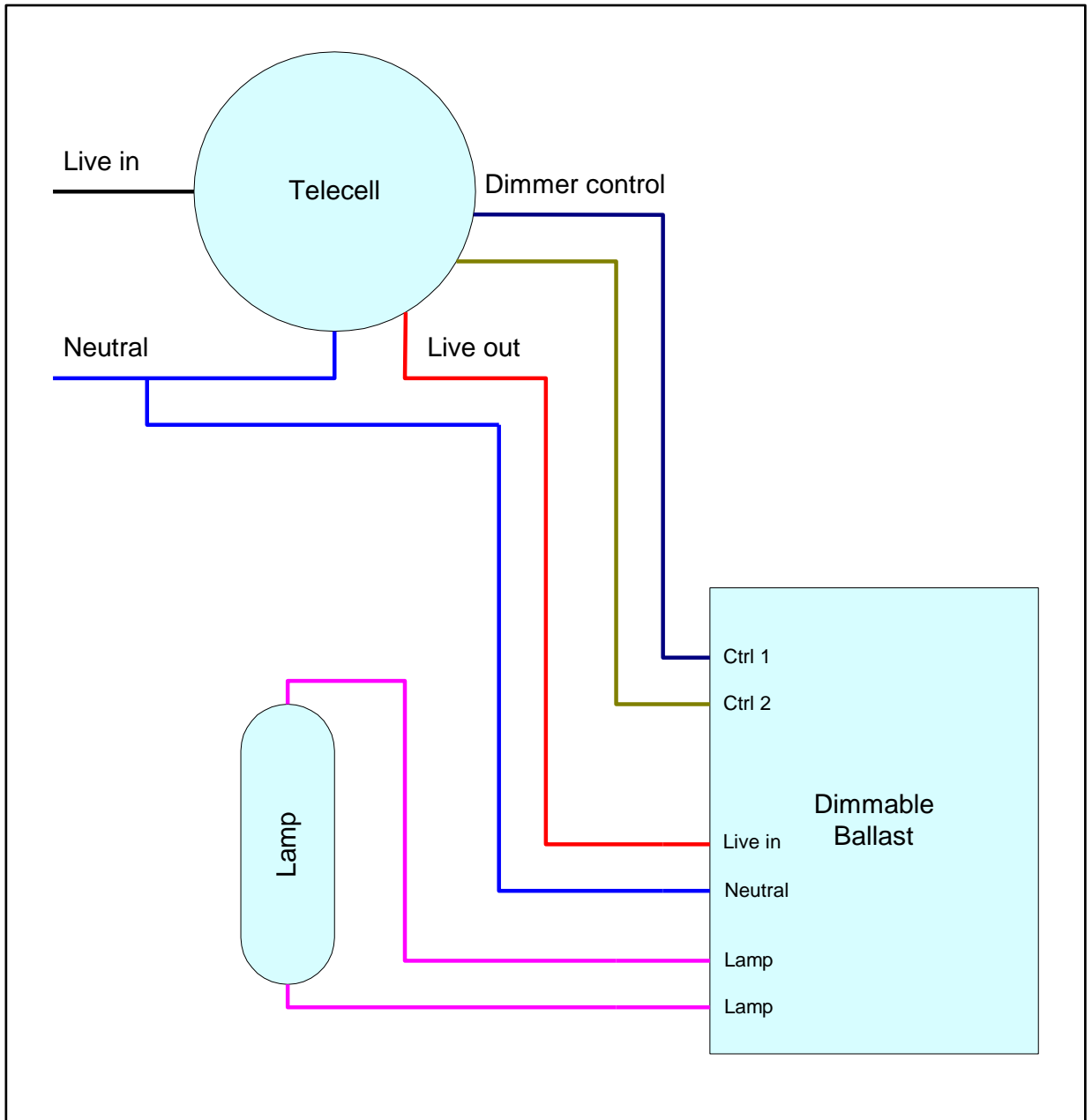


Figure 3: Wiring Diagram for Integral Dimming Control Telecell

8 Notices for products operated in the USA & Canada

This device complies with Part 15 of the FCC Rules. Operation is subject to the following two conditions:

- (1) this device may not cause harmful interference, and
- (2) this device must accept any interference received, including interference that may cause undesired operation.

This equipment has been tested and found to comply with the limits for a class B digital device, pursuant to Part 15 of FCC rules. These limits are designed to provide reasonable protection against harmful interference in a residential environment. This equipment generates, uses and can radiate radio frequency energy and, if not installed and used in accordance with the instructions, may cause harmful interference to radio communications. However, there is no guarantee that interference will not occur in a particular installation. If this equipment does cause harmful interference to radio or television reception, which can be determined by turning the equipment off and on, the user is encouraged to try to correct the interference by one of the following measures:

- Reorient or relocate the receiving antenna
- Increase the separation between the equipment and receiver
- Consult a dealer or an experienced radio/TV technician for help.

Note that no changes shall be made to the equipment without the manufacturer's permission as this may void the user's authority to operate the equipment.

This transmitter must not be co-located or operated with any other antenna or transmitter

This device complies with Part 2.1091 of the FCC Rules for an uncontrolled environment. This equipment should be installed and operated with a minimum distance of 20cm between the radiator and your body.

This device complies with RSS-310 of Industry Canada. Operation is subject to the condition that this device does not cause harmful interference.