

DE921 Hardware User Guide

1vv0301183 Rev.1 - 2015-2-13



APPLICABILITY TABLE

PRODUCT
DE921



SPECIFICATIONS SUBJECT TO CHANGE WITHOUT NOTICE

Notice

While reasonable efforts have been made to assure the accuracy of this document, Telit assumes no liability resulting from any inaccuracies or omissions in this document, or from use of the information obtained herein. The information in this document has been carefully checked and is believed to be entirely reliable. However, no responsibility is assumed for inaccuracies or omissions. Telit reserves the right to make changes to any products described herein and reserves the right to revise this document and to make changes from time to time in content hereof with no obligation to notify any person of revisions or changes. Telit does not assume any liability arising out of the application or use of any product, software, or circuit described herein; neither does it convey license under its patent rights or the rights of others.

It is possible that this publication may contain references to, or information about Telit products (machines and programs), programming, or services that are not announced in your country. Such references or information must not be construed to mean that Telit intends to announce such Telit products, programming, or services in your country.

Copyrights

This instruction manual and the Telit products described in this instruction manual may be, include or describe copyrighted Telit material, such as computer programs stored in semiconductor memories or other media. Laws in the Italy and other countries preserve for Telit and its licensors certain exclusive rights for copyrighted material, including the exclusive right to copy, reproduce in any form, distribute and make derivative works of the copyrighted material. Accordingly, any copyrighted material of Telit and its licensors contained herein or in the Telit products described in this instruction manual may not be copied, reproduced, distributed, merged or modified in any manner without the express written permission of Telit. Furthermore, the purchase of Telit products shall not be deemed to grant either directly or by implication, estoppel, or otherwise, any license under the copyrights, patents or patent applications of Telit, as arises by operation of law in the sale of a product.

Computer Software Copyrights

The Telit and 3rd Party supplied Software (SW) products described in this instruction manual may include copyrighted Telit and other 3rd Party supplied computer programs stored in semiconductor memories or other media. Laws in the Italy and other countries preserve for Telit and other 3rd Party supplied SW certain exclusive rights for copyrighted computer programs, including the exclusive right to copy or reproduce in any form the copyrighted computer program. Accordingly, any copyrighted Telit or other 3rd Party supplied SW computer programs contained in the Telit products described in this instruction manual may not be copied (reverse engineered) or reproduced in any manner without the express written permission of Telit or the 3rd Party SW supplier. Furthermore, the purchase of Telit products shall not be deemed to grant either directly or by implication, estoppel, or otherwise, any license under the copyrights, patents or patent applications of Telit or other 3rd Party supplied SW, except for the normal non-exclusive, royalty free license to use that arises by operation of law in the sale of a product.



Usage and Disclosure Restrictions

License Agreements

The software described in this document is the property of Telit and its licensors. It is furnished by express license agreement only and may be used only in accordance with the terms of such an agreement.

Copyrighted Materials

Software and documentation are copyrighted materials. Making unauthorized copies is prohibited by law. No part of the software or documentation may be reproduced, transmitted, transcribed, stored in a retrieval system, or translated into any language or computer language, in any form or by any means, without prior written permission of Telit

High Risk Materials

Components, units, or third-party products used in the product described herein are NOT fault-tolerant and are NOT designed, manufactured, or intended for use as on-line control equipment in the following hazardous environments requiring fail-safe controls: the operation of Nuclear Facilities, Aircraft Navigation or Aircraft Communication Systems, Air Traffic Control, Life Support, or Weapons Systems (High Risk Activities"). Telit and its supplier(s) specifically disclaim any expressed or implied warranty of fitness for such High Risk Activities.

Trademarks

TELIT and the Stylized T Logo are registered in Trademark Office. All other product or service names are the property of their respective owners.

Copyright © Telit Communications S.p.A. 2015.



Contents

1.	Introduction	8
1.1.	Scope	8
1.2.	Audience	8
1.3.	Contact Information, Support	8
1.4.	Document Organization	9
1.5.	Text Conventions	10
1.6.	Related Documents	10
2.	General Product Description	11
2.1.	Overview	11
2.2.	Product Specifications	12
2.3.	RoHS Compliance	13
3.	DE921 Module Connections	14
3.1.	Pin-Out	14
3.1.1.	BGA Pads Layout.....	19
4.	Hardware Commands	20
4.1.	Turning on the DE921 module	20
4.1.1.	Initialization and Activation State	20
4.2.	Turning off the DE921 module	22
4.2.1.	Shutdown by Software Command.....	23
4.2.2.	Hardware Shutdown.....	23
4.3.	Hardware Reset	24
4.3.1.	Hardware Reset.....	24
4.4.	Summary of Turning ON and OFF the Module	25
5.	Power Supply	26
5.1.	Power Supply Requirements	26
5.2.	General Design Rules	28
5.2.1.	Electrical Design Guidelines	28
5.2.2.	+ 5V Input Source Power Supply Design Guidelines	28
5.2.3.	+12V Input Source Power Supply Design Guidelines	29
5.2.4.	Battery Source Power Supply Design Guidelines	30
5.2.5.	Thermal Design Guidelines.....	31
5.2.6.	Power Supply PCB layout Guidelines	32



6.	Antenna	34
6.1.	CDMA Antenna Requirements	34
6.1.1.	CDMA antenna - PCB line Guidelines	35
6.1.2.	PCB Guidelines in case of FCC certification	36
6.1.3.	CDMA Antenna - Installation Guidelines	38
6.2.	GNSS Antenna Requirements	39
6.2.1.	Combined GNSS Antenna.....	39
6.2.2.	Linear and Patch GNSS Antenna.....	39
6.2.3.	The Design Considerations to enhanced GNSS performance	39
6.2.4.	GNSS Antenna - PCB Line Guidelines	42
6.2.5.	GNSS Antenna - Installation Guidelines	42
7.	USB Port	43
8.	Serial Port	44
8.1.	Modem Serial Port 1	45
8.2.	Modem Serial Port 2	46
8.3.	RS232 Level Translation	46
9.	Audio Section Overview	49
9.1.	Electrical Characteristics	49
9.1.1.	CODEC Example.....	49
10.	General Purpose I/O	50
10.1.	Logic Level Specification	51
10.2.	Using a GPIO Pad as Input	51
10.3.	Using a GPIO Pad as Output	52
10.4.	Using the Temperature Monitor Function	52
10.4.1.	Short Description.....	52
10.5.	Indication of Network Service Availability	53
10.6.	VCOIN	54
10.7.	VCC_1V8 Power Output	55
11.	ADC section	56
11.1.	ADC Converter	56
11.1.1.	Description.....	56
11.1.2.	Using ADC Converter	56
12.	Test Point	57



13. Mounting the Module on your Board 58

- 13.1. General 58
- 13.2. Module Finishing & Dimensions 58
- 13.3. Recommended foot print for the application 59
- 13.4. PCB Pad Design 59
- 13.5. Recommendations for PCB Pad Dimensions (mm) 60
- 13.6. Solder Paste 61
 - 13.6.1. Solder Reflow 61

14. Packing System 63

- 14.1. Reel 63
 - 14.1.1. Carrier Tape Detail 63
 - 14.1.2. Reel Detail 63
 - 14.1.3. Packaging Detail 63
- 14.2. Moisture Sensibility 64

15. Application Design Guide 65

- 15.1. Download and Debug Port 65

16. Certifications and Conformity 66

17. Safety Recommendations 69

18. Document History 70



1. Introduction

1.1. Scope

The aim of this document is the description of typical hardware solutions useful for developing a product with the Telit DE921 module.

1.2. Audience

This document is intended for Telit customers who are about to implement their applications using our DE921 modules.

1.3. Contact Information, Support

For general contact, technical support, to report documentation errors and to order manuals, contact Telit Technical Support Center (TTSC) at:

TS-EMEA@telit.com
TS-NORTHAMERICA@telit.com
TS-LATINAMERICA@telit.com
TS-APAC@telit.com

Alternatively, use:

<http://www.telit.com/en/products/technical-support-center/contact.php>

For detailed information about where to buy the Telit modules or for recommendations on accessories and components visit:

<http://www.telit.com>

To register for product news and announcements or for product questions contact Telit Technical Support Center (TTSC).

Our aim is to make this guide as helpful as possible. Please keep us informed of comments and suggestions for improvements.

Telit appreciates feedback from the users of our information.



1.4. Document Organization

This document contains the following chapters:

[Chapter 1: “Introduction”](#) provides a scope for this document, target audience, contact and support information, and text conventions.

[Chapter 2: “General Product Description”](#) gives an overview of the features of the product.

[Chapter 3: “DE921 Module Connections”](#) deals with the pin out configuration and layout.

[Chapter 4: “Hardware Commands”](#) How to operate the module via hardware.

[Chapter 5: “Power supply”](#) Power supply requirements and general design rules.

[Chapter 6: “Antenna”](#) The antenna connection and board layout design are the most important parts in the full product design.

[Chapter 7: “USB Port”](#) The USB port on the Telit DE921 is the core of the interface between the module and OEM hardware.

[Chapter 8: “Serial ports”](#) Refers to the serial ports of the Telit DE921.

[Chapter 9: “Audio Section overview”](#) Refers to the audio blocks of the Base Band Chip of the DE921 Telit Module.

[Chapter 10: “General Purpose I/O”](#) How the general purpose I/O pads can be configured.

[Chapter 11: “ADC section”](#) Deals with a converter.

[Chapter 12: “Test Pont”](#) Deals with Test Points.

[Chapter 13: “Mounting the DE921 on the application board”](#) Mechanical dimensions and recommendations on how to mount the module on the user’s board.

[Chapter 14: “Packing System”](#) Deals with packing system.

[Chapter 15: “Application Design Guide”](#) Deals with the design of host system for download or upgrade.

[Chapter 16: “Certifications and Conformity ”](#) provides some fundamental hints about the conformity assessment that the final application might need.

[Chapter 17: “Safety Recommendation”](#) provides some safety recommendations that must be followed by the customer in the design of the application that makes use of the Telit DE921.



1.5. Text Conventions



Danger – This information *MUST* be followed or catastrophic equipment failure or bodily injury may occur.



Caution or Warning – Alerts the user to important points about integrating the module. If these points are not followed, the module and end user equipment may fail or malfunction.



Tip or Information – Provides advice and suggestions that may be useful when integrating the module.

All dates are in ISO 8601 format, i.e. YYYY-MM-DD.

1.6. Related Documents

- Digital Voice Interface Application Note, 80000NT10061A
- Product Description,
- Telit EVK2 User Guide, 1vv0300704



2. General Product Description

2.1. Overview

The aim of this document is the description of typical hardware solutions useful for developing a product with the Telit DE921 module.

In this document all the basic functions of a mobile device will be taken into account; for each one of them a proper hardware solution will be suggested and eventually the wrong solutions and common errors to be avoided will be evidenced. Obviously this document cannot embrace all hardware solutions and products that may be designed. Avoiding the discussed wrong solutions must be considered as mandatory. While the suggested hardware configurations must not be considered mandatory, the information given must be used as a guide and a starting point for properly developing a product with the Telit DE921 module.



NOTE:

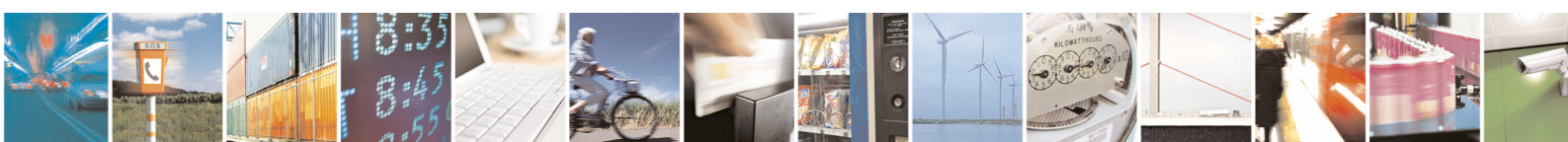
The integration of the CDMA 1xRTT/1xEV-DO Rev. A module within a user application must be done according to the design rules described in this manual.

The information presented in this document is believed to be accurate and reliable. However, no responsibility is assumed by Telit Communication S.p.A. for its use, such as any infringement of patents or other rights of third parties. No license is granted by implication or otherwise under any patent rights of Telit Communication S.p.A. other than for circuitry embodied in Telit products. This document is subject to change without notice.



2.2. Product Specifications

DE921 Specifications	
Air Interface	<ul style="list-style-type: none"> • CDMA 1xRTT • CDMA 1xEV-DO Rev. A
Frequency Bands	<ul style="list-style-type: none"> • 800MHz/secondary 800MHz/1900MHz
Data Service	<ul style="list-style-type: none"> • CDMA 1xRTT: 153.6 Kbps (full-duplex) • CDMA 1xEV-DO Rev. A: 3.1Mbps (F/L), 1.8Mbps (R/L)
Location solution	gpsOne
Max. RF out power	<ul style="list-style-type: none"> • CDMA BC0: Power class 3 (24dBm) for 1xRTT, Power class 3 (24dBm) for 1xEV-DO • CDMA BC10: Power class 2 (24dBm) for 1xRTT, Power class 2 (24dBm) for 1xEV-DO • CDMA BC1: Power class 2 (24dBm) for 1xRTT, Power class 2 (24dBm) for 1xEV-DO
Typical conducted sensitivity	a. CDMA <ul style="list-style-type: none"> • 1xRTT: -106.5dBm • 1xEV-DO: -107.5dBm b. GNSS <ul style="list-style-type: none"> • Acquisition sensitivity: -142dBm • Navigation sensitivity: -153.5dBm • Tracking sensitivity: -157.5dBm • TTFF: 29sec @ -130dBm
Device dimensions	40mm(L) x 40mm(W) x 3.3mm(T)
Weight	10.2 g
Operating Temperature Range	-40 ~ +70°C (Full specification for Designator A) -40 ~ +85°C (Restricted specification for Grade 3)
Storage Temperature Range	-40 ~ +85°C
Normal operating voltage range	3.4 ~ 4.2V
IO voltage	1.8V
Interface	<ul style="list-style-type: none"> • 133 Ball-Grid-Array interface • 8 general I/O ports maximum including multi-functional I/Os • State LED output • 2 A/D converter • Full RS232 CMOS UART: baud rate up to 4Mbps • Reserved two wires CMOS UART for debugging • USB 2.0: baud rate up to 480Mbps
Antenna	<ul style="list-style-type: none"> • Primary antenna • GPS&GLONASS antenna



Audio	PCM interface for Digital audio
Message	SMS (MO/MT)
Approvals	<ul style="list-style-type: none"> • Regulatory: TBD • Carrier: TBD

2.3. RoHS Compliance

As a part of Telit’s corporate policy of environmental protection, the DE921 complies with the RoHS (Restriction of Hazardous Substances) directive of the European Union (EU Directive 2011/65/EU).



3. DE921 Module Connections

3.1. Pin-Out

Pad no.	Function	I/O	VOLTAGE	ACTIVE LOW	IF UNUSED	PU/PD
W18	ADC1	I	2.85V		Ground	
X19	ADC0	I	2.85V		Ground	
A3	Reserved				Leave Open	
B4	Reserved				Leave Open	
A5	Reserved				Leave Open	
B6	Reserved				Leave Open	
A7	Reserved				Leave Open	
B8	Reserved				Leave Open	
A9	Reserved				Leave Open	
B10	Reserved				Leave Open	
V16	Reserved				Leave Open	
S19	Reserved				Leave Open	
S20	ON/OFF	I	VBATT	X	Must be Used	PU
D20	Reserved				Leave Open	
N21	PCM_FS	O	VCC_1V8		Leave Open	
R21	PCM_CLK	O	VCC_1V8		Leave Open	
T21	PCM_DOUT	O	VCC_1V8		Leave Open	
V21	PCM_DIN	I	VCC_1V8		Leave Open	
L1	Reserved	I			Leave Open	
N1	GND				Ground	
J1	GND				Ground	
M20	Leave Open	O	VCC_1V8		Leave Open	
B1	GND				Ground	
C1	GNSS_ANT	I	5V		Leave Open	
E1	GND				Ground	
R1	GPIO8	I/O	VCC_1V8		Leave Open	PU
G1	GPIO3	I/O	VCC_1V8		Leave Open	PD
K2	GPIO5	I/O	VCC_1V8		Leave Open	PU
M2	GPIO6	I/O	VCC_1V8		Leave Open	PU
P2	GPIO7	I/O	VCC_1V8		Leave Open	PD



S2	GPIO9	I/O	VCC_1V8		Leave Open	PU
U2	GPIO10	I/O	VCC_1V8		Leave Open	PU
D2	GPIO1	I/O	VCC_1V8		Leave Open	PD
F2	GPIO2	I/O	VCC_1V8		Leave Open	PD
H2	GPIO4	I/O	VCC_1V8		Leave Open	PD
S3	Reserved				Leave Open	
X3	Reserved				Leave Open	
A1	GND				Must be Used	
X1	GND				Must be Used	
A2	GND				Must be Used	
B2	GND				Must be Used	
W2	GND				Must be Used	
X2	GND				Must be Used	
L3	GND				Must be Used	
P3	GND				Must be Used	
V3	GND				Must be Used	
C3	GND				Must be Used	
H3	GND				Must be Used	
L6	GND				Must be Used	
P6	GND				Must be Used	
S6	GND				Must be Used	
V6	GND				Must be Used	
C6	GND				Must be Used	
H6	GND				Must be Used	
L8	GND				Must be Used	
P8	GND				Must be Used	
S8	GND				Must be Used	
V8	GND				Must be Used	
C8	GND				Must be Used	
L11	GND				Must be Used	
P11	GND				Must be Used	
S11	GND				Must be Used	
V11	GND				Must be Used	
C11	GND				Must be Used	
P14	GND				Must be Used	
S14	GND				Must be Used	
V14	GND				Must be Used	



C14	GND				Must be Used	
P16	GND				Must be Used	
S16	GND				Must be Used	
C16	GND				Must be Used	
V19	GND				Must be Used	
C19	GND				Must be Used	
F19	GND				Must be Used	
H19	GND				Must be Used	
A20	GND				Must be Used	
B20	GND				Must be Used	
W20	GND				Must be Used	
X20	GND				Must be Used	
A21	GND				Must be Used	
B21	GND				Must be Used	
W21	GND				Must be Used	
X21	GND				Must be Used	
B12	I2C_CLK	O	VCC_1V8		Leave Open	
B14	I2C_SDA	I/O	VCC_1V8		Leave Open	
B16	LED	O	VCC_1V8		Leave Open	
X17	Reserved				Leave Open	
W16	VBATT	I	VBATT		Must be Used	
U20	VCOIN	I/O	VCOIN		Leave Open	
T1	GND				Must be Used	
V1	PRIMARY_ANT	I/O	2.85V		Must be Used	
W1	GND				Must be Used	
P20	VCC_1V8	O	VCC_1V8		Leave Open	
F3	Reserved				Leave Open	
F6	Test Point 1				Must be Used	
F8	Test Point 2				Must be Used	
H8	Test Point 3				Must be Used	
F11	Test Point 4				Must be Used	
H11	Test Point 5				Must be Used	
L14	Reserved				Leave Open	
F14	Test Point 6				Must be Used	
H14	Test Point 7				Must be Used	
L16	Reserved				Leave Open	
F16	Test Point 8				Must be Used	



H16	Reserved				Leave Open	
L19	Reserved				Leave Open	
P19	Reserved				Leave Open	
W4	Reserved				Leave Open	
B18	RESIN_N	I	VCC_1V8	X	Leave Open	PU
X5	Reserved				Leave Open	
W6	Reserved				Leave Open	
X7	Reserved				Leave Open	
W8	Reserved				Leave Open	
X9	Reserved				Leave Open	
W10	Reserved				Leave Open	
K20	DTR1	I	VCC_1V8		Leave Open	
F20	DCD1	O	VCC_1V8		Leave Open	
H20	DSR1	O	VCC_1V8		Leave Open	
L21	RI1	O	VCC_1V8		Leave Open	
C21	CTS1	O	VCC_1V8		Leave Open	
E21	RTS1	I	VCC_1V8		Leave Open	
G21	RXD1	O	VCC_1V8		Leave Open	
J21	TXD1	I	VCC_1V8		Leave Open	
A11	RXD2	O	VCC_1V8		Leave Open	
A13	TXD2	I	VCC_1V8		Leave Open	
X11	Reserved				Leave Open	
W12	Reserved				Leave Open	
X13	Reserved				Leave Open	
W14	Reserved				Leave Open	
X15	Reserved				Leave Open	
A15	USB_VBUS	I	USB_VBUS		Leave Open	
A17	USB_D_M	I/O	USB_VBUS		Leave Open	
A19	USB_D_P	I/O	USB_VBUS		Leave Open	



WARNING:

Reserved pins must not be connected.





NOTE:

Almost all pins not in use must be left disconnected. The only exceptions are the following pins:

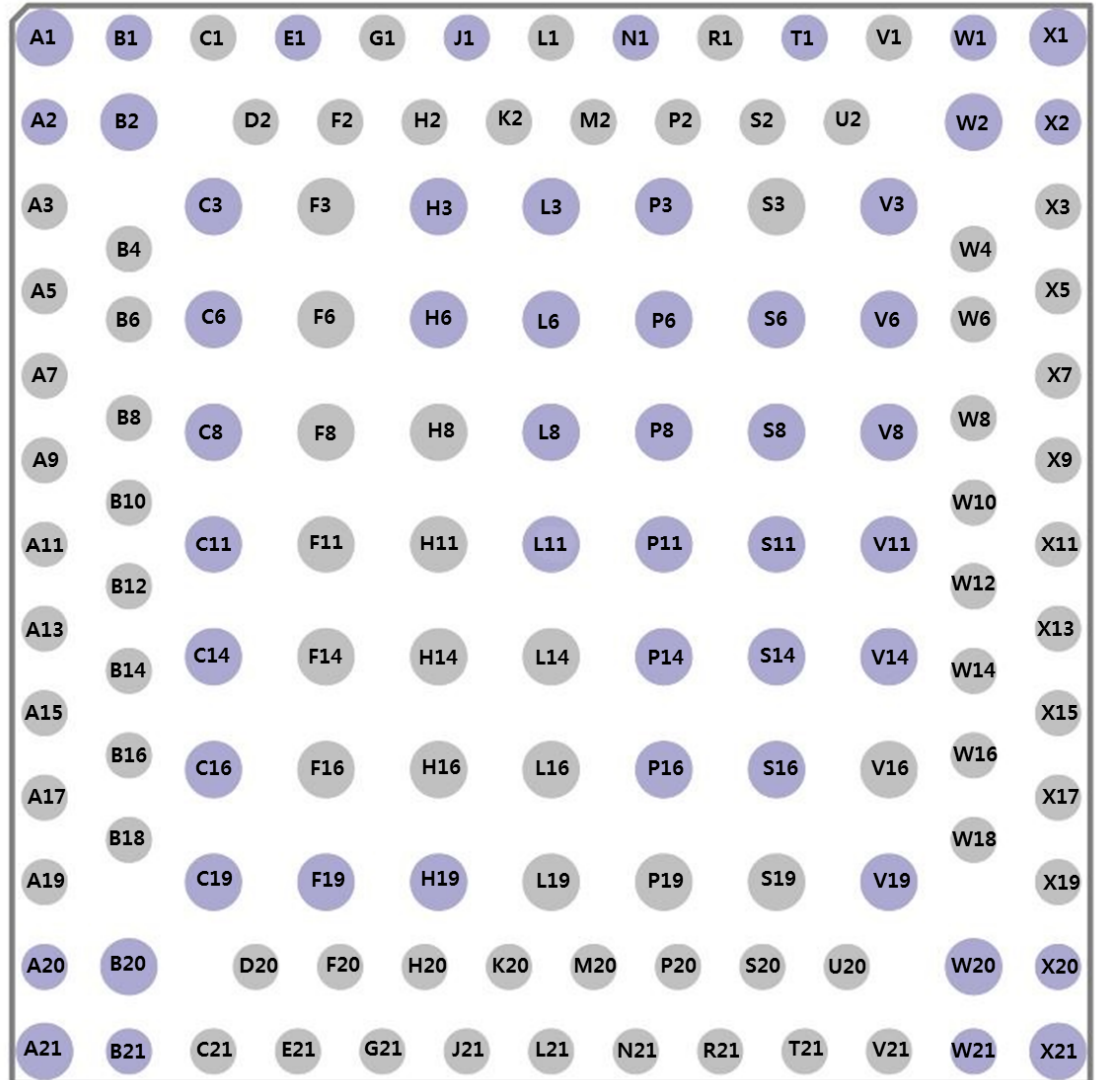
PAD	Signal	
W16	VBATT	
N1,J1,B1,E1,A1,X1,A2, B2,W2,X2,L3,P3,V3,C3 ,H3,L6,P6,S6,V6,C6,H6 ,L8,P8,S8,V8,C8,L11,P 11,S11,V11,C11,P14,S1 4,V14,C14,P16,S16,C16 ,V19,C19,F19,H19,A20, B20,W20,X20,A21,B21 ,W21,X21,T1,W1	GND	
S20	ON_OFF*	
B18	RESIN*	
A19	USB_D+	If not used should be connected to a Test Point
A17	USB_D-	If not used should be connected to a Test Point
A15	VBUS	If not used should be connected to a Test Point
J21	TXD1	If not used should be connected to a Test Point
G21	RXD1	If not used should be connected to a Test Point
E21	RTS1	If the flow control is not used it should be connected to GND
C21	CTS1	If not used should be connected to a Test Point
A13	TXD2	If not used should be connected to a Test Point
A11	RXD2	If not used should be connected to a Test Point
V1	Main Antenna	
C1	ANT_GPS (If supported by the product)	If the GPS is not used it could be left unconnected
F6,F8,H8,F11,H11,F14, H14,F16	Test Point	

RTS must be connected to the GND (on the module side) if flow control is not used.

The above pins are also necessary to debug the application incorporating the module.



3.1.1. BGA Pads Layout



Top View



NOTE:

The pin defined as **RES** must be considered RESERVED and not connected on any pin in the application. The related area on the application has to be kept empty.



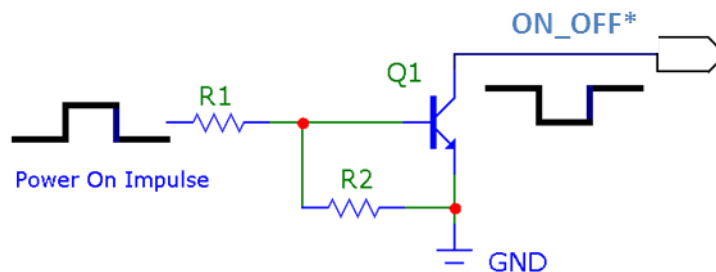
4. Hardware Commands

4.1. Turning on the DE921 module

To turn on the DE921, the pad ON_OFF* must be tied low for at least 1 second and then released.

The maximum current that can be drained from the ON_OFF* pad is 0.1 mA.

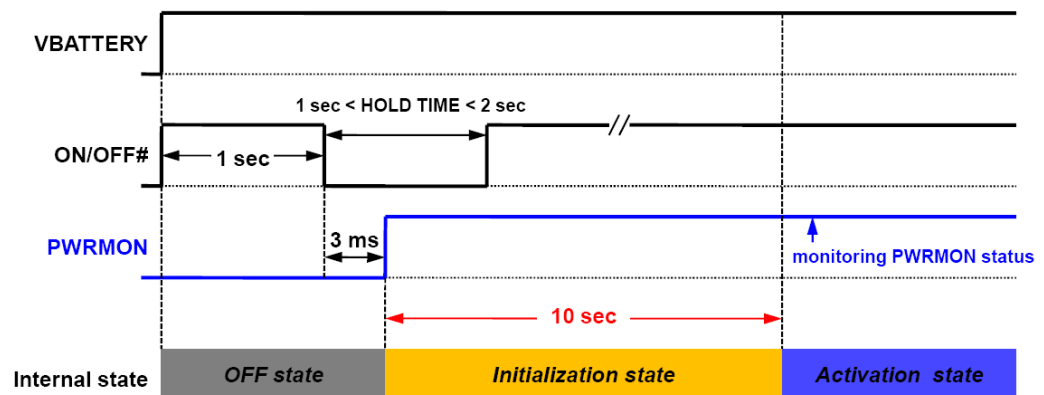
A simple circuit to power on the module is illustrated below:



4.1.1. Initialization and Activation State

Upon turning on DE921 module, the DE921 module is not active yet because the boot sequence of DE921 is still executing internally. It takes about 10 seconds to complete the initialization of the module internally.

For this reason, it would be useless to try to access DE921 during the Initialization state as below. The DE921 module needs at least 10 seconds after the PWRMON goes High to become operational by reaching the activation state.



During the *Initialization state*, any kind of AT-command is not available. DTE must wait for the *Activation state* to communicate with DE921.

To check if the DE921 has powered on, the hardware line PWRMON must be monitored. When PWRMON goes high, the module has powered on.



NOTE:

Do not use any pull up resistor on the ON_OFF* line. It is pulled up internally. Using a pull up resistor may bring latch up problems on the DE921 power regulator and improper power on/off of the module. The line ON_OFF* must be connected only in open collector configuration.



NOTE:

In this document all the lines are inverted. Active low signals are labeled with a name that ends with "*" or with a bar over the name.

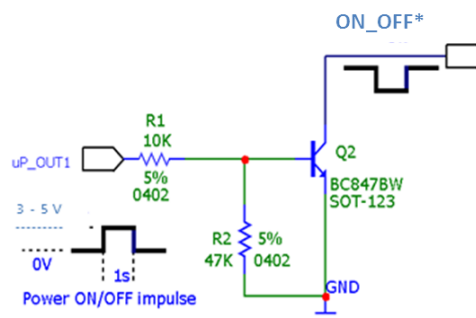


NOTE:

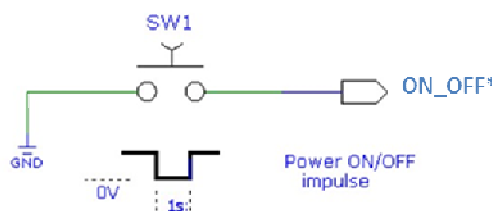
In order to avoid a back powering effect it is recommended to avoid having any HIGH logic level signal applied to the digital pins of the DE921 module when the module is powered OFF or during an ON/OFF transition.

For example:

1. To drive the ON_OFF* pad with a totem pole output of a +3/5 V microcontroller (uP_OUT1):



2. To drive the ON_OFF* pad directly with an ON/OFF button:



4.2. Turning off the DE921 module

Turning off the device can be done in two ways:

- By software command (see DE921 Software User Guide)
- By hardware shutdown

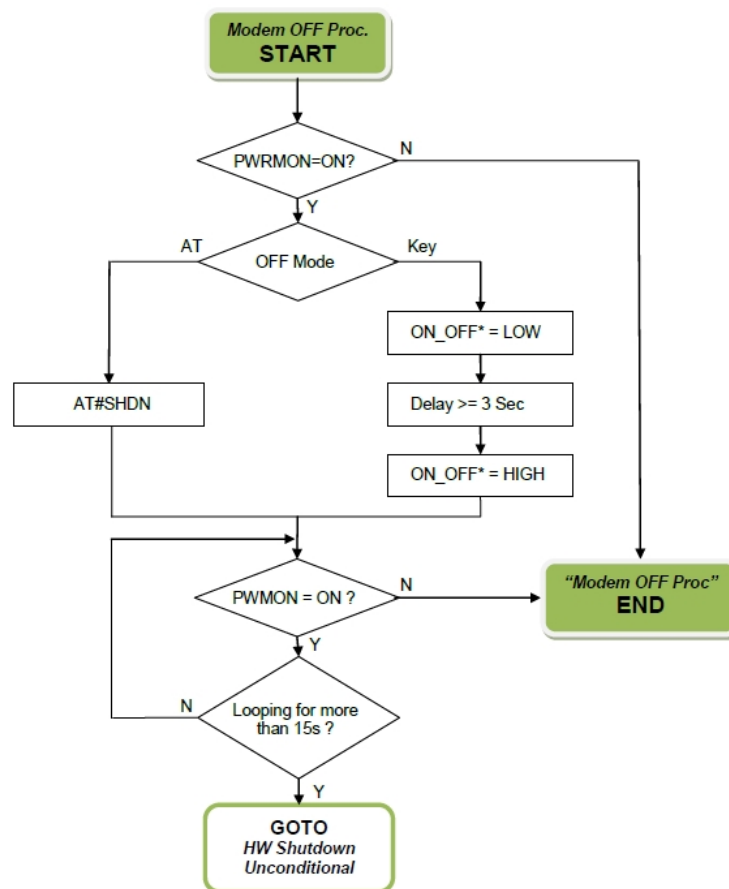
When the device is shut down by software command or by hardware shutdown, it issues a detach request to the network that informs the network that the device will no longer be reachable.



NOTE:

In order to avoid a back powering effect it is recommended to avoid having any HIGH logic level signal applied to the digital pins of the DE921 when the module is powered OFF or during an ON/OFF transition.

The following flow chart shows the proper turnoff procedure:



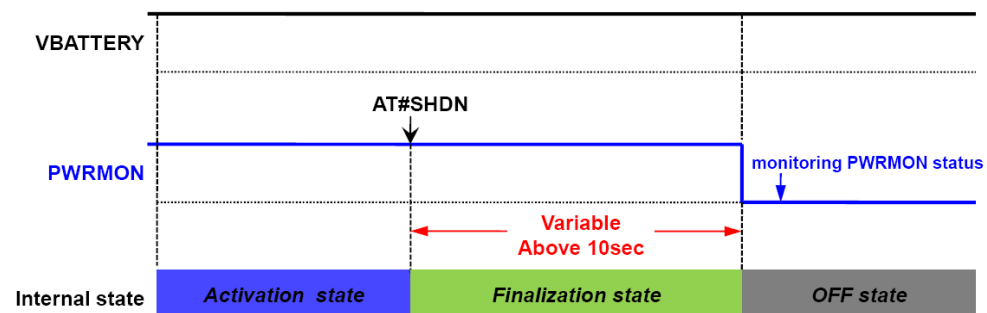
4.2.1. Shutdown by Software Command

The DE921 can be shut down by a software command.

When a shutdown command is sent, the DE921 goes into the finalization state and will shut down PWRMON at the end of this state.

The period of the finalization state can vary according to the state of the DE921 so it cannot be fixed definitely.

Normally it will be above 10 seconds after sending a shutdown command and DTE should monitor the status of PWRMON to see the actual power off.



TIP:

To check if the device has powered off hardware line PWRMON must be monitored. When PWRMON goes low, the device has powered off.

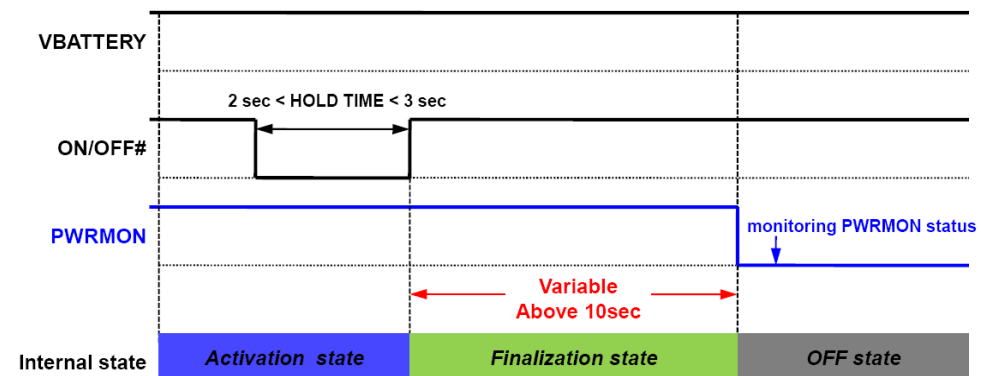
4.2.2. Hardware Shutdown

To turn OFF the DE921 the pad ON_OFF* must be tied low for at least 2 seconds and then released. The same circuitry and timing for the power on must be used.

When the hold time of ON_OFF* is above 2 seconds, the DE921 goes into the finalization state and will shut down PWRMON at the end of this state.

The period of the finalization state can vary according to the state of the DE921 so it cannot be fixed definitely.

Normally it will be above 10 seconds after releasing ON_OFF* and DTE should monitor the status of PWRMON to see the actual power off.





TIP:

To check if the device has powered off, hardware line PWRMON must be monitored. When PWRMON goes low, the device has powered off.

4.3. Hardware Reset



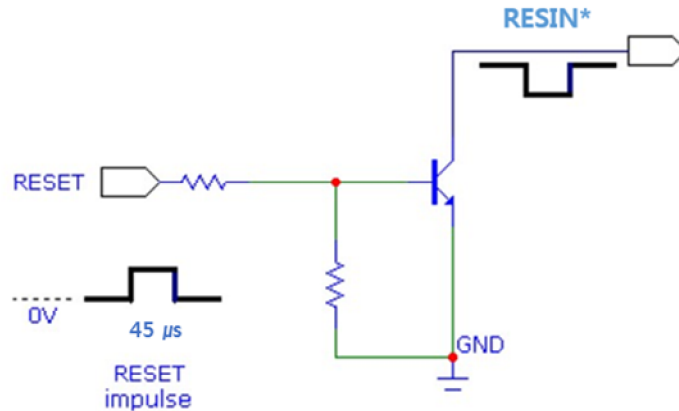
WARNING:

The Hardware Reset must not be used during normal operation of the device since it does not detach the device from the network. It shall be kept as an emergency exit procedure to be done in the rare case that the device gets stuck waiting for some network.

4.3.1. Hardware Reset

To Hardware reset the DE921, the pad RESIN* must be tied low for at least 45 microseconds and then released.

A simple circuit to unconditionally shutdown the module is illustrated below:



NOTE:

Do not use any pull up resistor on the RESIN* line or any totem pole digital output. Using a pull up resistor may bring latch up problems on the DE921 power regulator and result in improper functioning of the module. The line RESIN* must be connected only in open collector configuration.



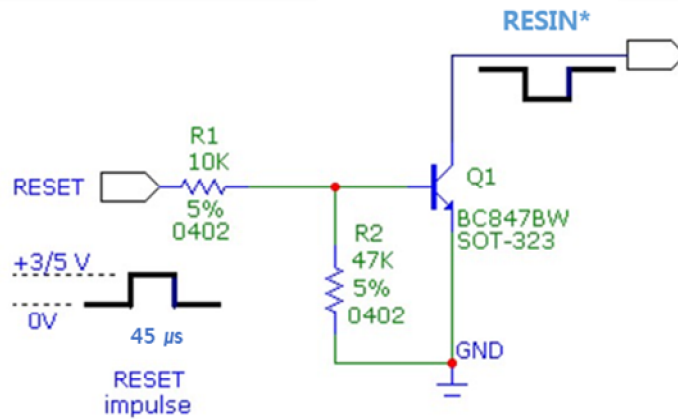
TIP:

The unconditional hardware Shutdown must always be implemented on the boards and the software must use it only as an emergency exit procedure.



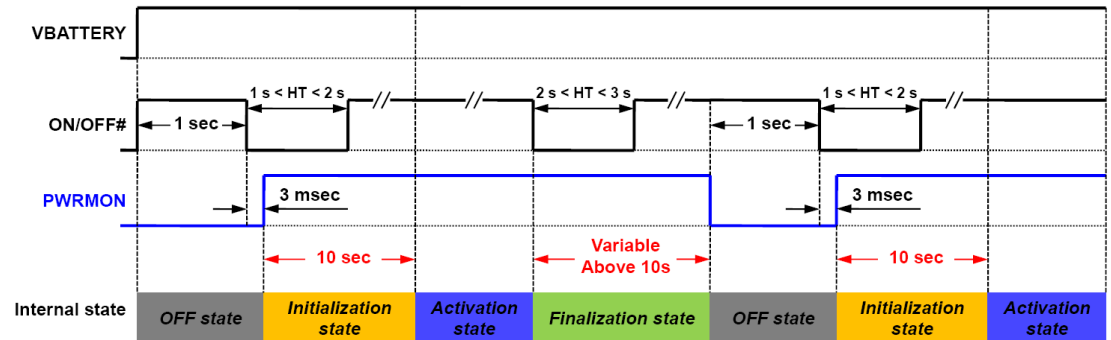
For example:

To drive the RESIN* pad with a totem pole output of a +3/5 V microcontroller (uP_OUT2):



4.4. Summary of Turning ON and OFF the Module

The chart below describes the overall sequences for turning the module ON and OFF.



5. Power Supply

The power supply circuitry and board layout are a very important part in the full product design and they strongly reflect on the product's overall performance. Read carefully the requirements and the guidelines that follow for a proper design.

5.1. Power Supply Requirements

The external power supply must be connected to VBATT signals and must fulfill the following requirements:

Power Supply	
Nominal Supply Voltage	3.8V
Normal Operating Voltage Range	3.4V ~ 4.2V
Extended Operating Voltage Range	TBD



NOTE:

The Operating Voltage Range MUST never be exceeded. Special care must be taken when designing the application's power supply section to avoid having an excessive voltage drop.

If the voltage drop is exceeding the limits it could cause a Power Off of the module.

Behavior in the extended operating voltage range might deviate from 3GPP2 specification.



Current Consumption			
Mode		Average (mA)	Mode Description
Standby mode			No call in progress (slot cycle index=2, hybrid mode)
AT+CFUN=1	GPS=off	15	Normal mode; full functionality of the module
AT+CFUN=4	GPS=off	20	Disabled TX and RX; modules is not registered on the network
AT+CFUN=5	GPS=off	<1.5(*)	Full functionality with power saving; Module registered on the network can receive incoming call sand SMS
Tx and Rx mode			A call in progress
GPS=off		600	

(*) Standby current consumption depends on network configuration or module configuration.



NOTE:

The Operating Voltage Range MUST never be exceeded. Special care must be taken in order to fulfill min/max supply voltage requirement.



TIP:

The electrical design for the power supply should be made ensuring it will be capable of a peak current output of at least 1A.



5.2. General Design Rules

The principal guidelines for the Power Supply Design embrace three different design steps:

- the electrical design
- the thermal design
- the PCB layout

5.2.1. Electrical Design Guidelines

The electrical design of the power supply depends strongly on the power source where this power is drained. We will distinguish them into three categories:

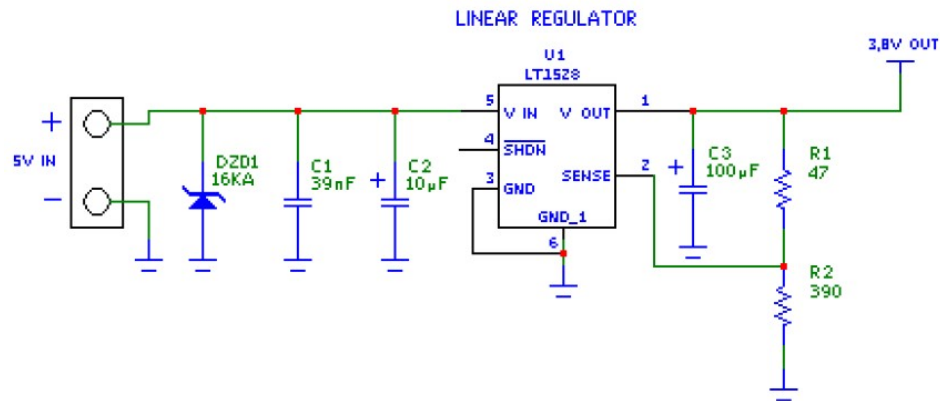
- +5V input (typically PC internal regulator output)
- +12V input (typically automotive)
- Battery

5.2.2. + 5V Input Source Power Supply Design Guidelines

- The desired output for the power supply is 3.8V, hence there is not a big difference between the input source and the desired output so a linear regulator can be used. A switching power supply will not be suitable because of the low drop-out requirements.
- When using a linear regulator, a proper heat sink must be provided in order to dissipate the power generated.
- A Bypass low ESR capacitor of adequate capacity must be provided in order to cut the current absorption peaks close to the DE921. A 100 μ F tantalum capacitor is usually suited.
- Make sure the low ESR capacitor on the power supply output (usually a tantalum one) is rated at least 10V.
- A protection diode must be inserted close to the power input in order to save the DE921 from power polarity inversion.



An example of a linear regulator with 5V input:

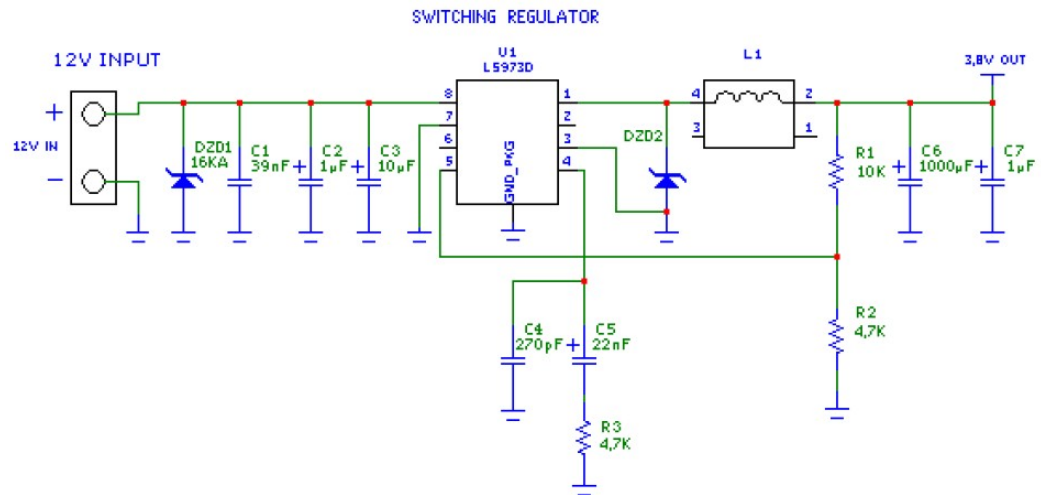


5.2.3. +12V Input Source Power Supply Design Guidelines

- The desired output for the power supply is 3.8V, hence due to the big difference between the input source and the desired output, a linear regulator is not suitable and must not be used. A switching power supply would be preferable because of its better efficiency, especially with the 1A peak current load represented by DE921.
- When using a switching regulator, a 500 kHz or more switching frequency regulator is preferable because of its smaller inductor size and its faster transient response. This allows the regulator to respond quickly to the current peaks absorption.
- In any case, the frequency and switching design selection is related to the application to be developed due to the fact the switching frequency could also generate EMC interferences.
- For car PB battery the input voltage can rise up to 15.8V and this must be kept in mind when choosing components: all components in the power supply must withstand this voltage.
- A bypass low ESR capacitor of adequate capacity must be provided in order to cut the current absorption peaks. A 100µF tantalum capacitor is usually suited for this.
- Make sure the low ESR capacitor on the power supply output (usually a tantalum one) is rated at least 10V.
- For car applications a spike protection diode must be inserted close to the power input in order to clean the supply from spikes.
- A protection diode must be inserted close to the power input in order to save the DE921 from power polarity inversion. This can be the same diode as for spike protection.



An example of switching regulator with 12V input is in the schematic below:



5.2.4. Battery Source Power Supply Design Guidelines

The desired nominal output for the power supply is 3.8V and the maximum voltage allowed is 4.2V. A single 3.7V lithium-ion cell battery type is ideal to supply power to the Telit DE921 module.



WARNING:

The three battery cells (Ni/Cd or Ni/MH 3.6V nom. battery types or 4V PB types) MUST NOT be used directly because their maximum voltage can rise over the absolute maximum voltage for the DE921 and cause damage. USE only Li-Ion battery types.

- A bypass low (usually a 100µF tantalum) ESR capacitor with adequate capacity must be provided in order to cut the current absorption peaks.
- Make sure the low ESR capacitor (usually a tantalum) is rated at least 10V.
- A protection diode must be inserted close to the power input in order to protect the DE921 module from power polarity inversions when connecting the battery.
- The battery capacity must be at least 500mAh in order to withstand the current peaks of 1A. The suggested battery capacity is from 500mAh to 1000mAh.



5.2.5. Thermal Design Guidelines

The thermal design for the power supply heat sink must be done with the following specifications:

- Average current consumption during CDMA 1x / 1xEV-DO transmission @PWR level max : TBD mA
- Average GPS current during GPS ON (Power Saving disabled) in DE921 : TBD mA



NOTE:

The average consumption during transmissions depends on the power level at which the device is requested to transmit via the network. The average current consumption hence varies significantly.

Considering the very low current during idle, especially if the Power Saving function is enabled, it is possible to consider from the thermal point of view that the device absorbs current significantly only during calls.

If we assume that the device stays in transmission for short periods of time (a few minutes) and then remains for quite a long time in idle (one hour), then the power supply always has time to cool down between the calls and the heat sink could be smaller than the calculated for 700 mA maximum RMS current. There could even be a simple chip package (no heat sink).

Moreover in average network conditions the device is requested to transmit at a lower power level than the maximum and hence the current consumption will be less than 700 mA (usually around 250 mA).

For these reasons the thermal design is rarely a concern and the simple ground plane where the power supply chip is placed can be enough to ensure a good thermal condition and avoid overheating.

The heat generated by the DE921 must be taken into consideration during transmission at 24dBm max during calls. This generated heat will be mostly conducted to the ground plane under the DE921. The application must be able to dissipate heat.

In the CDMA 1x/1xEV-DO mode, since DE921 emits RF signals continuously during transmission, special attention must be paid to how to dissipate the heat generated.

The current consumption will be up to about TBD mA in CDMA 1x continuously at the maximum TX output power (24dBm). Thus, you must arrange the area on the application PCB must be as large as possible under DE921.

The DE921 must be mounted on the large ground area of the application board and make many ground vias to dissipate the heat.



5.2.6. Power Supply PCB layout Guidelines

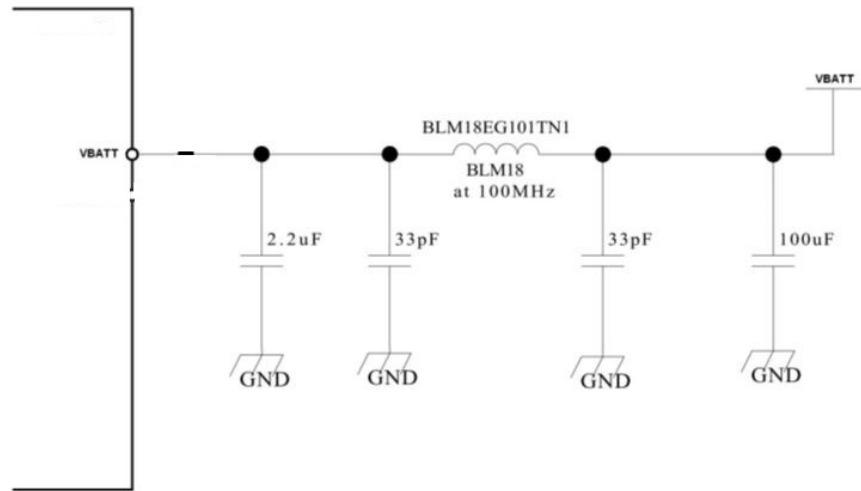
As seen in the electrical design guidelines, the power supply must have a low ESR capacitor on the output to cut the current peaks and a protection diode on the input to protect the supply from spikes and polarity inversion. The placement of these components is crucial for the correct operation of the circuitry. A misplaced component can be useless or can even decrease the power supply performance.

- The bypass low ESR capacitor must be placed close to the Telit DE921 power input pads, or if the power supply is a switching type, the capacitor can be placed close to the inductor to cut the ripple if the PCB trace from the capacitor to DE921 is wide enough to ensure a drop-less connection even during the 1A current peaks.
- The protection diode must be placed close to the input connector where the power source is drained.
- The PCB traces from the input connector to the power regulator IC must be wide enough to ensure no voltage drops occur when the 1A current peaks are absorbed. While a voltage drop of hundreds of mV may be acceptable from the power loss point of view, the same voltage drop may not be acceptable from the noise point of view. If the application does not have an audio interface but only uses the data feature of the Telit DE921, then this noise is not as disruptive and the power supply layout design can be more forgiving.
- The PCB traces to DE921 and the Bypass capacitor must be wide enough to ensure no significant voltage drops occur when the 1A current peaks are absorbed. This is a must for the same above-mentioned reasons. Try to keep this trace as short as possible.
- The PCB traces connecting the switching output to the inductor and the switching diode must be kept as short as possible by placing the inductor and the diode very close to the power switching IC (only for switching power supply). This is done in order to reduce the radiated field (noise) at the switching frequency (usually 100-500 kHz).
- The use of a good common ground plane is suggested.
- The placement of the power supply on the board must be done in a way to guarantee that the high current return paths in the ground plane are not overlapped with any noise sensitive circuitry such as the microphone amplifier/buffer or earphone amplifier.
- The power supply input cables must be kept separate from noise sensitive lines such as microphone/earphone cables.
- The insertion of EMI filter on VBATT pins is suggested in those designs where antenna is placed close to battery or supply lines.

A ferrite bead like Murata BLM18EG101TN1 or Taiyo Yuden P/N FBMH1608HM101 can be used for this purpose.



The below figure shows the recommended circuit:



6. Antenna

The antenna connection and board layout design are the most important parts in the full product design and they strongly reflect on the product's overall performance. Read carefully and follow the requirements and the guidelines for a proper design.

6.1. CDMA Antenna Requirements

The antenna for a Telit DE921 device must fulfill the following requirements:

CDMA Antenna Requirements	
Frequency range	Depending on the frequency band(s) provided by the network operator, the customer must use the most suitable antenna for that/those band(s)
Bandwidth	70 MHz in CDMA BC0 53 MHz in CDMA BC10 140 MHz in CDMA BC1
Gain	Gain < 5.12 dBi in CDMA BC0 Gain < 5.12 dBi in CDMA BC10 Gain < 6.12 dBi in CDMA BC1
Impedance	50 Ohm
Input power	> 24dBm Average Power in CDMA
VSWR absolute max	≤ 5:1 (Limit to avoid permanent damage)
VSWR recommended	≤ 2:1 (Limit to fulfill all regulatory requirement)

When using the Telit DE921, since there's no antenna connector on the module, the antenna must be connected to the DE921 antenna pad (V1) by means of a transmission line implemented in the PCB.

In the case that the antenna is not directly connected at the antenna pad of the DE921, then a PCB line is required.



This transmission line shall fulfill the following requirements:

Antenna Line on PCB Requirements	
Characteristic Impedance	50Ohm
Max Attenuation	0.3dB
Coupling with other signals shall be avoided	
Cold End (Ground Plane) of antenna shall be equipotential to the DE921 ground pads	

Furthermore if the device is developed for the US and/or Canada market, it must comply with the FCC and/or IC approval requirements:

This device is to be used only for mobile and fixed application. The antenna(s) used for this transmitter must be installed to provide a separation distance of at least 20 cm from all persons and must not be co-located or operating in conjunction with any other antenna or transmitter. End-Users must be provided with transmitter operation conditions for satisfying RF exposure compliance. OEM integrators must ensure that the end user has no manual instructions to remove or install the DE921 module. Antennas used for this OEM module must not exceed 5dBi gain for mobile and fixed operating configurations.

6.1.1. CDMA antenna - PCB line Guidelines

- Make sure that the transmission line's characteristic impedance is 50ohm.
- Keep line on the PCB as short as possible since the antenna line loss shall be less than around 0.3dB.
- Line geometry should have uniform characteristics, constant cross section, avoid meanders and abrupt curves.
- Any kind of suitable geometry/structure (Microstrip, Stripline, Coplanar, Grounded Coplanar Waveguide ...) can be used for implementing the printed transmission line afferent the antenna.
- If a Ground plane is required in line geometry, that plane has to be continuous and sufficiently extended so the geometry can be as similar as possible to the related canonical model.
- Keep, if possible, at least one layer of the PCB used only for the Ground plane; If possible, use this layer as reference Ground plane for the transmission line.
- It is wise to surround (on both sides) of the PCB transmission line with Ground. Avoid having other signal tracks facing directly the antenna line track.
- Avoid crossing any un-shielded transmission line footprint with other tracks on different layers.
- The Ground surrounding the antenna line on PCB has to be strictly connected to the main Ground plane by means of via holes (once per 2mm at least) placed close to the ground edges facing line track.
- Place EM noisy devices as far as possible from DE921 antenna line.



- Keep the antenna line far away from the DE921 power supply lines.
- If EM noisy devices are present on the PCB hosting the DE921, such as fast switching ICs, take care of shielding them with a metal frame cover.
- If EM noisy devices are not present around the line, use of geometries like Micro strip or Grounded Coplanar Waveguide are preferred since they typically ensure less attenuation when compared to a Strip line having same length.

6.1.2. PCB Guidelines in case of FCC certification

In the case FCC certification is required for an application using DE921, according to FCC KDB 996369 for modular approval requirements, the transmission line has to be similar to that implemented on module's interface board and described in the following chapter.

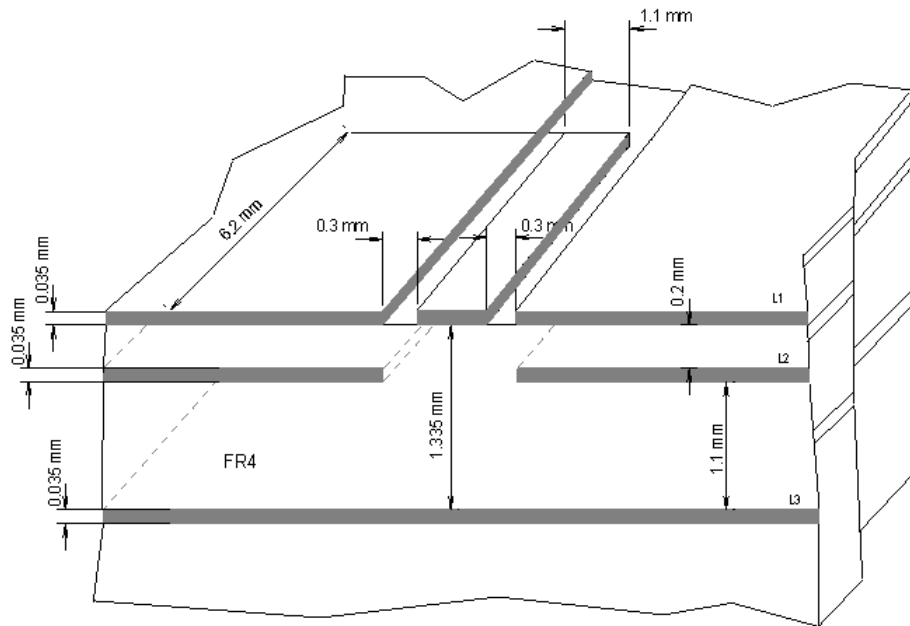
6.1.2.1.1.1. Transmission line design

During the design of the DE921 interface board, the placement of components has been chosen properly, in order to keep the line length as short as possible, thus leading to lowest power losses possible. A Grounded Coplanar Waveguide (G-CPW) line has been chosen, since this kind of transmission line ensures good impedance control and can be implemented in an outer PCB layer as needed in this case. A SMA female connector has been used to feed the line.

The interface board is realized on a FR4, 4-layers PCB. Substrate material is characterized by relative permittivity $\epsilon_r = 4.6 \pm 0.4 @ 1 \text{ GHz}$, $\text{TanD} = 0.019 \div 0.026 @ 1 \text{ GHz}$.

A characteristic impedance of nearly 50Ω is achieved using trace width = 1.1 mm, clearance from coplanar ground plane = 0.3 mm each side. The line uses reference ground plane on layer 3, while copper is removed from layer 2 underneath the line. Height of trace above ground plane is 1.335 mm. Calculated characteristic impedance is 51.6Ω , estimated line loss is less than 0.1 dB. The line geometry is shown below:

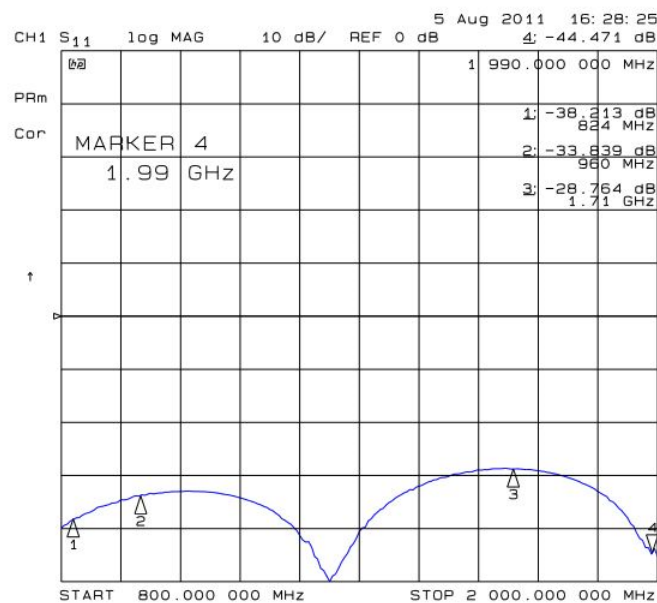




6.1.2.1.1.2. Transmission line measurements

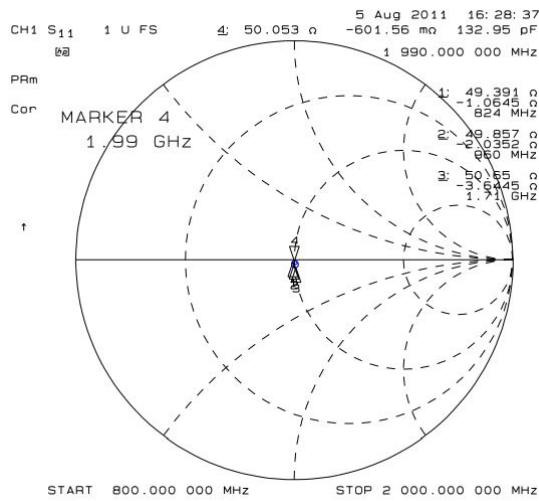
HP8753E VNA (Full-2-port calibration) has been used in this measurement session. A calibrated coaxial cable has been soldered at the pad corresponding to RF output; a SMA connector has been soldered to the board in order to characterize the losses of the transmission line including the connector itself. During Return Loss / impedance measurements, the transmission line has been terminated to 50 Ω load.

Return Loss plot of line under test is shown below:

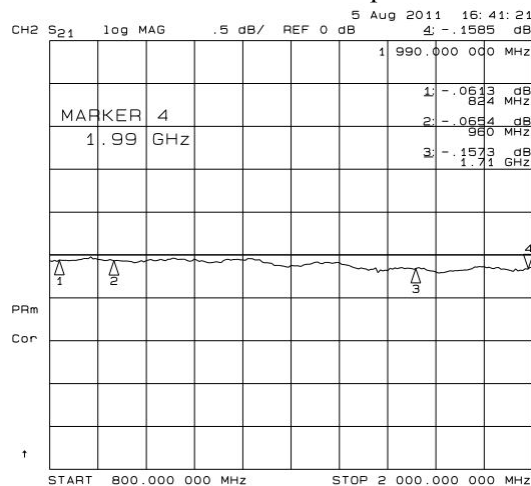


Line input impedance (in Smith Chart format, once the line has been terminated to 50 Ω load) is shown in the following figure:





Insertion Loss of G-CPW line plus SMA connector is shown below:



6.1.3. CDMA Antenna - Installation Guidelines

- Install the antenna in a place covered by the CDMA signal.
- If the device antenna in the application is located greater than 20cm from the human body and there are no co-located transmitters then the Telit FCC/IC approvals can be re-used by the end product.
- Antenna shall not be installed inside metal cases.
- Antenna shall be installed also according antenna manufacture instructions.



WARNING:

Consider a mechanical design to protect DE921 or customer specific requirements from ESD event to Antenna port (V1).



6.2. GNSS Antenna Requirements

The use of an active GNSS antenna is required to achieve better performance.

6.2.1. Combined GNSS Antenna

The use of combined CDMA/GNSS antenna is not recommended. This solution could generate extremely poor GNSS reception and also the combined antenna requires an additional diplexer and adds a loss in the RF route.

6.2.2. Linear and Patch GNSS Antenna

Using this type of antenna introduces at least 3dB of loss if compared to a circularly polarized (CP) antenna. Having a spherical gain response instead of a hemispherical gain response could aggravate the multipath behaviour & create poor position accuracy.

6.2.3. The Design Considerations to enhanced GNSS performance

Depending on the characteristics and requirements unique to the customer's designs, the use of an external LNA or an external active antenna may be required to achieve best performance.

The optional external LNA should be dimensioned to avoid an excessive LNA gain that can introduce jamming, spurious, degrade IIP3, and saturate the receiver.

The configurations of an external device must fulfill the following requirements:

- An external passive antenna (GPS only)
- An external active antenna (GPS or GNSS)
- An external passive antenna, GNSS pre-Filter , and GNSS LNA (GPS or GNSS)





NOTE:

The external GNSS LNA and GNSS pre-Filter shall be required for GLONASS application. GNSS LNA requirement shall fulfill the following specifications.

- Frequency = 1565 ~ 1606MHz
- Power Gain $|S_{21}|^2 = 14 \sim 17\text{dB}$
- NF < 1dB

GNSS pre-Filter requirement shall fulfill the following requirements.

- Source and Load Impedance = 50Ohm
- Insertion Loss (1575.42 ~ 1576.42MHz) = 1.4dB (Max)
- Insertion Loss (1565.42 ~ 1585.42MHz) = 2.0dB (Max)
- Insertion Loss (1597.5515 ~ 1605.886MHZ) = 2.0dB (Max)

The external active antenna for the Telit DE921 device must fulfill the following requirements:

GNSS Antenna Requirements	
Frequency range	1575.42MHz (GPS L1) 1597.55 ~ 1605.89MHz (GLONASS)
Bandwidth	$\pm 1.023\text{MHz}$ (GPS L1) 8.34MHz (GLONASS)
Impedance	50 Ohm
LNA NF	< 1dB
LNA Gain	14 ~ 17dB
LNA Input Voltage	3.0V or 5.0V

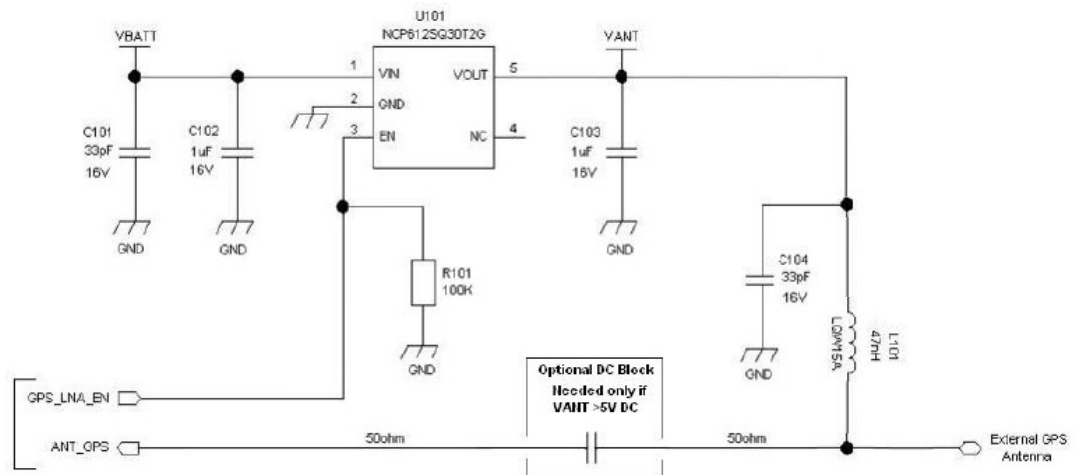


NOTE:

The maximum DC voltage applicable to ANT_GPS pin is 5V. In case this is exceeded, a series capacitor has to be included in the design to avoid exceeding the maximum input DC level.



An example of GNSS antenna supply circuit is shown in the following image:



When using the Telit DE921, since there's no antenna connector on the module, the antenna must be connected to the DE921 through the PCB with the antenna pad.

In the case that the antenna is not directly connected at the antenna pad of the DE921, then a PCB line is required.

This line of transmission shall fulfill the following requirements:

Antenna Line on PCB Requirements	
Characteristic Impedance	50Ohm
Max Attenuation	0.3dB
Coupling with other signals shall be avoided	
Cold End (Ground Plane) of antenna shall be equipotential to the DE921 ground pads	

Furthermore if the device is developed for the US and/or Canada market, it must comply with the FCC and/or IC requirements.

This device is to be used only for mobile and fixed application.



WARNING:

The DE921 software is implemented differently depending on the configurations of an external device. Please refer to the AT command User Guide in detail.



6.2.4. GNSS Antenna – PCB Line Guidelines

- Ensure that the antenna line impedance is 50ohm.
- Keep line on the PCB as short as possible to reduce the loss.
- Antenna line must have uniform characteristics, constant cross section, avoid meanders and abrupt curves.
- Keep one layer of the PCB used only for the Ground plane; if possible.
- Surround (on the sides, over and under) the antenna line on PCB with Ground. Avoid having other signal tracks directly facing the antenna line track.
- The Ground around the antenna line on PCB has to be strictly connected to the main Ground plane by placing vias once per 2mm at least.
- Place EM noisy devices as far as possible from DE921 antenna line.
- Keep the antenna line far away from the DE921 power supply lines.
- If EM noisy devices are around the PCB hosting the DE921, such as fast switching ICs, take care of shielding of antenna line by burying it inside the layers of PCB and surround it with Ground planes; or shield it with a metal frame cover.
- If you do not have EM noisy devices around the PCB of DE921, use a strip line on the superficial copper layer for the antenna line. The line attenuation will be lower than a buried one.

6.2.5. GNSS Antenna – Installation Guidelines

- The DE921, due to its sensitivity characteristics, is capable of performing a fix inside buildings. However, the sensitivity could be affected by the building characteristics i.e. shielding.
- The Antenna must not be co-located or operating in conjunction with any other antenna or transmitter.
- Antenna shall not be installed inside metal cases.
- Antenna shall be installed also according antenna manufacture instructions.



WARNING:

Consider a mechanical design to protect DE921 or customer specific requirements from ESD event to GPS port (C1).



7. USB Port

The DE921 module includes a Universal Serial Bus (USB) transceiver, which operates at USB high-speed (480Mbits/sec).

It is compliant with the USB 2.0 specification and can be used for diagnostic monitoring, control and data transfers.

The table below describes the USB interface signals:

Pin	Signal	I/O	Function	Type
A19	USB_D+	I/O	USB differential Data(+)	
A17	USB_D-	I/O	USB differential Data(-)	
A15	VBUS	I	Power sense for the internal USB transceiver	5V

The USB_DPLUS and USB_DMINUS signals have a clock rate of 480MHz. The signal traces should be routed carefully. Trace lengths, number of vias and capacitive loading should be minimized. The impedance value should be as close as possible to 90 Ohms differential.



WARNING:

Consider a mechanical design to protect DE921 or customer specific requirements from ESD event to USB lines (A19, A17 and A15).



8. Serial Port

The serial ports on the Telit DE921 are the interface between the module and OEM hardware.

2 serial ports are available on the module:

- Modem Serial Port 1 (Main)
- Modem Serial Port 2 (Auxiliary)

Several configurations can be designed for the serial port on the OEM hardware.

The most common are:

- RS232 PC comport
- Microcontroller UART@1.8V(Universal Asynchronous Receiver Transmit)
- Microcontroller UART@5V or other voltages different from 1.8V

Depending on the type of serial port on the OEM hardware, a level translator circuit may be needed to make the system work.

Serial port 1 is a +1.8V UART with all the 7 RS232 signals.

Serial port 2 is a +1.8V Auxiliary UART.

The electrical characteristics of the serial port are explained in the following tables:

Absolute Maximum Ratings -Not Functional

Parameter	Min	Max
Input level on non-power pin with respect to ground	-0.3	+2.3V

Operating Range - Interface levels

Parameter	Min	Max
Input high level	1.5V	2.1 V
Input low level	-0.3V	0.35V
Output high level	1.35V	1.8V
Output low level	0V	0.45V



8.1. Modem Serial Port 1

Serial port 1 on the DE921 is a +1.8V UART with all 7 RS232 signals.

It differs from the PC-RS232 in the signal polarity (RS232 is reversed) and levels.

Pin	Signal	I/O	Function	Type
F20	DCD	O	Data Carrier Detect	1.8V
G21	RXD	O	Transmit line *see Note	1.8V
J21	TXD	I	Receive line *see Note	1.8V
K20	DTR	I	Data Terminal Ready	1.8V
H20	DSR	O	Data Set Ready	1.8V
E21	RTS	I	Request to Send	1.8V
C21	CTS	O	Clear to Send	1.8V
L21	RI	O	Ring Indicator	1.8V

The following table shows the typical input value (pulled inside the baseband chipset) and status for input lines all module states:

Signal/State	OFF	RESET	ON	Powersaving	PU tied to
TXD	unknown	PD: 21K~210K	PU: 39K~390K	PU: 39K~390K	1.8V
RTS		PD: 21K~210K			
DTR		PU: 39K~390K			



NOTE:

For minimum implementation, only the TXD and RXD lines must be connected, the other lines can be left open provided a software flow control is implemented.



NOTE:

In order to avoid a back powering effect it is recommended to avoid having any HIGH logic level signal applied to the digital pins of the DE921 when the module is powered off or during an ON/OFF transition.





NOTE:

According to V.24, RX/TX signal names are referred to the application side. Therefore, on the DE921 side these signals are in the opposite direction: TXD on the application side will be connected to the receive line (here named TXD/ rx_uart) of the DE921 serial port and vice versa for RX.



NOTE:

High-speed UART supports up to 4Mbps. Please refer to the AT command User Guide in detail.



WARNING:

Consider a mechanical design and a low-capacitance ESD protection device to protect DE921 or customer specific requirements from ESD event to UART port.

8.2. Modem Serial Port 2

Serial port 2 on the DE921 is a +1.8V UART with only the RX and TX signals.

The signals of the DE921 serial port are:

Pin	Signal	I/O	Function	Type
A13	TXD2	O	Auxillary UART (TX Data to DTE)	1.8V
A11	RXD2	I	Auxillary UART (RX Data from DTE)	1.8V



NOTE:

In order to avoid a back powering effect it is recommended to avoid having any HIGH logic level signal applied to the digital pins of the DE921 when the module is powered off or during an ON/OFF transition.

8.3. RS232 Level Translation

In order to interface the Telit DE921 with a PC com port or a RS232 (EIA/TIA-232) application, a level translator is required. This level translator must:

- Invert the electrical signal in both directions
- Change the level from 0/1.8V to +/-15V



Actually, the RS232 UART 16450, 16550, 16650 & 16750 chipsets accept signals with lower levels on the RS232 side (EIA/TIA-562), allowing a lower voltage-multiplying ratio on the level translator. Note that the negative signal voltage must be less than 0V and hence some sort of level translation is always required.

The simplest way to translate the levels and invert the signal is by using a single chip level translator. There are a multitude of them, differing in the number of drivers and receivers and in the levels (be sure to get a true RS232 level translator not a RS485 or other standards).

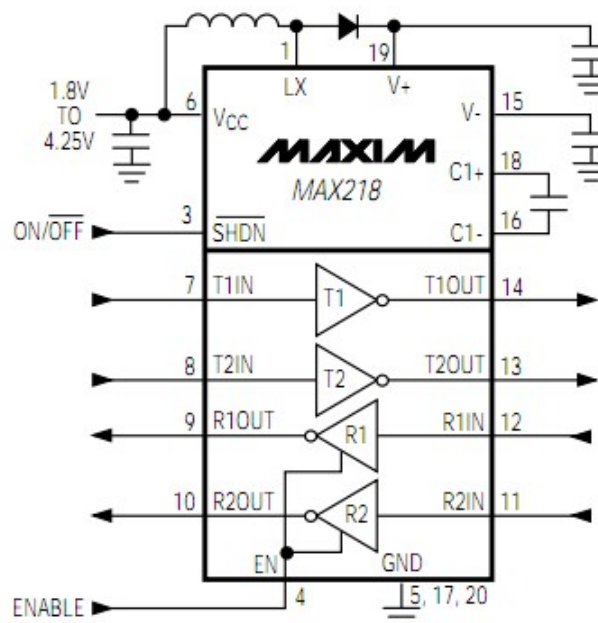
By convention the driver is the level translator from the 0-1.8V UART to the RS232 level. The receiver is the translator from the RS232 level to 0-1.8V UART.

In order to translate the whole set of control lines of the UART you will need:

- 5 drivers
- 3 receivers

An example of RS232 level adaption circuitry could be accomplished using a MAXIM transceiver (MAX218).

In this case the chipset is capable of translating directly from 1.8V to the RS232 levels (Example on 4 signals only).

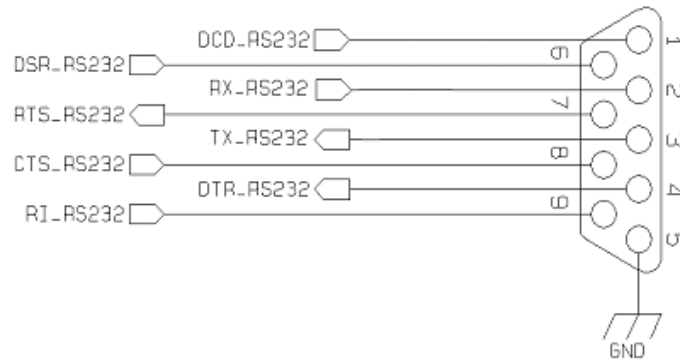


NOTE:

In this case the length of the lines on the application has to be taken into account to avoid problems in case of High-speed rates on RS232.



The RS232 serial port lines are usually connected to a DB9 connector with the following layout:



9. Audio Section Overview

The DE921 module doesn't support an analog audio interface and supports one Digital Audio bus.

In order to develop an application including an Analog Audio it is necessary to add a dedicated CODEC on the Application design.

For further information, please refer to the "Digital Voice Interface Application Note".

9.1. Electrical Characteristics

The product is providing one Digital Audio Interface (DVI) on the following Pins:

Pin	Signal	I/O	Function	Type
N21	PCM_FS	I/O	Digital Voice interface	1.8V
V21	PCM_DIN	I	Digital Voice interface (RX)	
T21	PCM_DOUT	O	Digital Voice interface (TX)	
R21	PCM_CLK	I/O	Digital Voice interface (CLK)	

9.1.1. CODEC Example

Please refer to the Digital Voice Interface Application note.



10. General Purpose I/O

The general-purpose I/O pads can be configured to act in three different ways:

- Input
- Output
- Alternate function (internally controlled)

Input pads can only be read and report the digital value (high or low) present on the pad at the read time.

Output pads can only be written to set the value of the pad or queried.

An alternate function pad is internally controlled by the DE921 firmware and acts depending on the function implemented.

The following GPIOs are available on the DE921.

Pin	Signal	I/O	Function	Drive Strength	Type
D2	GPIO_01	I/O	Configurable GPIO	2 mA	1.8V
F2	GPIO_02	I/O	Configurable GPIO	2 mA	1.8V
G1	GPIO_03	I/O	Configurable GPIO	2 mA	1.8V
H2	GPIO_04	I/O	Configurable GPIO	2 mA	1.8V
K2	GPIO_05	I/O	Configurable GPIO	2 mA	1.8V
M2	GPIO_06	I/O	Configurable GPIO	2 mA	1.8V
P2	GPIO_07	I/O	Configurable GPIO	2 mA	1.8V
R1	GPIO_08	I/O	Configurable GPIO	2 mA	1.8V
S2	GPIO_09	I/O	Configurable GPIO	2 mA	1.8V
U2	GPIO_10	I/O	Configurable GPIO	2 mA	1.8V



10.1. Logic Level Specification

Where not specifically stated, all the interface circuits work at 1.8V CMOS logic levels.
The following table shows the logic level specifications used in the DE921 interface circuits:

Absolute Maximum Ratings -Not Functional

Parameter	Min	Max
Input level on any digital pin (CMOS 1.8) with respect to ground	-0.3V	2.3V

Operating Range - Interface levels (1.8V CMOS)

Parameter	Min	Max
Input high level	1.5V	2.1V
Input low level	0.0V	0.35V
Output high level	1.35V	1.8V
Output low level	0.0V	0.45V

Current characteristics

Parameter	Typical
Output Current	2mA
Input Current	30uA

10.2. Using a GPIO Pad as Input

The GPIO pads, when used as inputs, can be connected to a digital output of another device and report its status, provided this device has interface levels compatible with the 1.8V CMOS levels of the GPIO.

If the digital output of the device is connected with the GPIO input, the pad has interface levels different from the 1.8V CMOS. It can be buffered with an open collector transistor with a 4.7KΩ pull-up resistor to 1.8V.



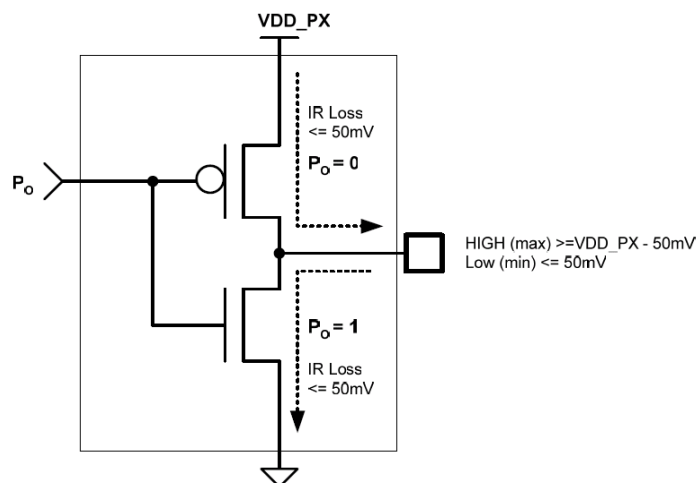


NOTE:

In order to avoid a back powering effect it is recommended to avoid having any HIGH logic level signal applied to the digital pins of the module when it is powered OFF or during an ON/OFF transition.

10.3. Using a GPIO Pad as Output

The GPIO pads, when used as outputs, can drive 1.8V CMOS digital devices or compatible hardware. When set as outputs, the pads have a push-pull output and therefore the pull-up resistor may be omitted.



output PAD equivalent circuit

10.4. Using the Temperature Monitor Function

10.4.1. Short Description

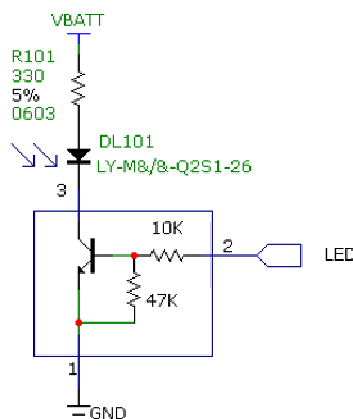
The Temperature Monitor is a function of the module that permits control of its internal temperature and if properly set (see the #TEMPMON command on AT Interface guide) raises to High Logic level a GPIO when the maximum temperature is reached.



10.5. Indication of Network Service Availability

The LED pin status shows information on the network service availability and Call status. In the DE921 modules, the LED usually needs an external transistor to drive an external LED. Because of the above, the status indicated in the following table is reversed with respect to the pin status:

LED status	Device Status
Permanently off	Device off
Fast blinking (Period TBD s, Ton TBD s)	Net search / Not registered / turning off
Slow blinking (Period TBD s, Ton TBD s)	Registered full service
Permanently on	a call is active



10.6. VCOIN

The VRTC pin brings out the Real Time Clock supply, which is separate from the rest of the digital part, allowing only RTC to be active when all the other parts of the device are off. To this power output a backup capacitor can be added in order to increase the RTC autonomy during power off of the battery. No devices must be powered from this pin.

For additional details on the Backup solutions please refer to the related application note (xE910 RTC Backup Application Note).

VRTC also supplies reference power to help DE921 check the time from SMPL (Sudden Momentary Power Loss).

So it is recommended as best practice to connect VRTC to a shunt capacitor (VRTC to GND) and the acceptable capacitor value is:

Parameter	Min
Keep-alive capacitor	6.8uF



NOTE:

VBATT must be supplied in order to use RTC function.



NOTE:

It is recommended to add a keep-alive capacitor on VRTC.



WARNING:

NO devices must be powered from this pin.



10.7. VCC_1V8 Power Output

A regulated power supply output is provided in order to supply small devices from the module. This output is active when the module is ON and goes OFF when the module is shut down. The operating range characteristics of the supply are:

Operating Range – power supply

Parameter	Min	Typical	Max
Output voltage	1.77V	1.8V	1.83V
Output current			200mA
Output bypass capacitor (Inside the module)		2.2 μ F	



11. ADC section

11.1. ADC Converter

11.1.1. Description

The on board ADC is 16-bit converter. It is able to read a voltage level in the range of 0 ~ 4.0 volts applied on the ADC pin input and store and convert it into 16 bit word.

Parameter	Min	Max	Units
Input Voltage range	0	4.0	Volt
AD conversion	-	16	bits
Resolution	-	< 10	mV
Input Resistance	1		Mohm

The DE921 provides two Analog to Digital Converters.

The input lines are:

ADC available on pin W18, X19 and Pin 6, Pin 7 of PL102 on Interface Board (CS1660)

11.1.2. Using ADC Converter

An AT command is available to use the ADC function.

The command is AT#ADC=1,2. The read value is expressed in mV

Refer to SW User Guide or AT Commands Reference Guide for the full description of this function.



12. Test Point

These pins are needed in order to analyze DE921 on the application board.

The signals of the DE921 are:

PAD	Signal	I/O	Function	Type
F6	TP1		Test Point	TP
F8	TP2		Test Point	TP
H8	TP3		Test Point	TP
F11	TP4		Test Point	TP
H11	TP5		Test Point	TP
F14	TP6		Test Point	TP
H14	TP7		Test Point	TP
F16	TP8		Test Point	TP

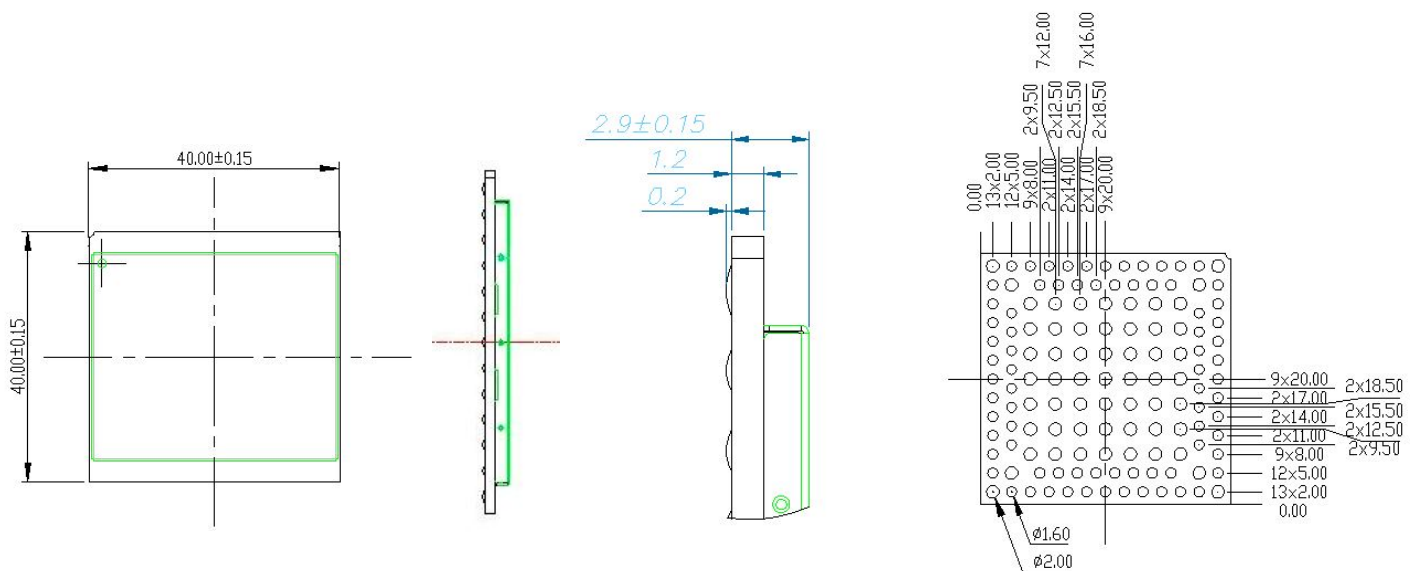


13. Mounting the Module on your Board

13.1. General

The DE921 has been designed in order to be compliant with a standard lead-free SMT process.

13.2. Module Finishing & Dimensions



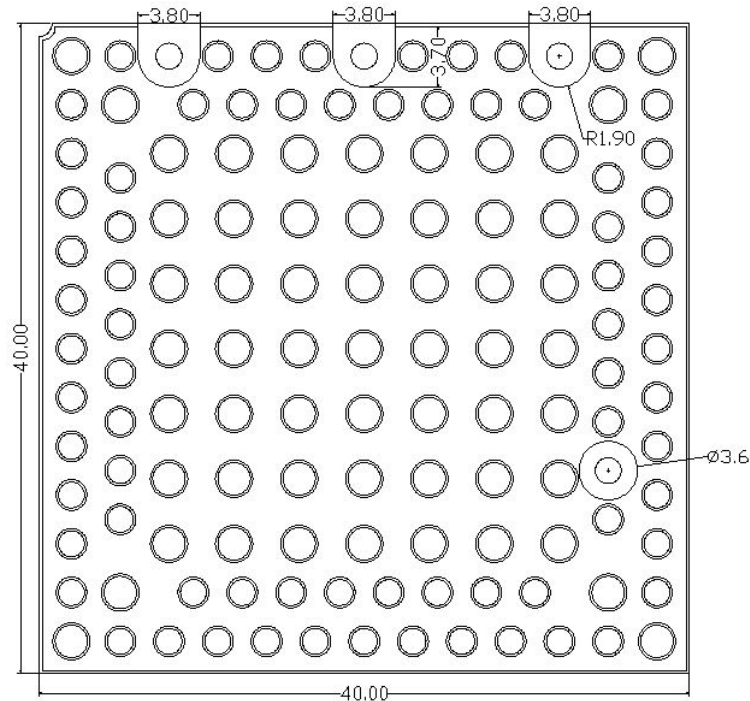
Top view

Bottom view

(Dimensions in mm)



13.3. Recommended foot print for the application



133 pins

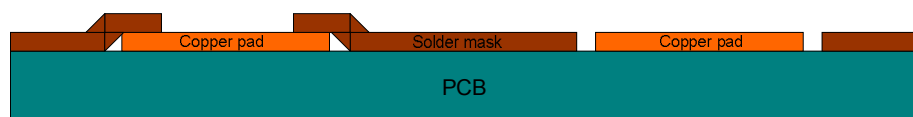
< Top View >

In order to easily rework the DE921 it is suggested to consider having a 1.5 mm placement inhibit area around the module on the application.

It is also suggested, as a common rule for an SMT component, to avoid having a mechanical part of the application in direct contact with the module.

13.4. PCB Pad Design

Non solder mask defined (NSMD) type is recommended for the solder pads on the PCB.



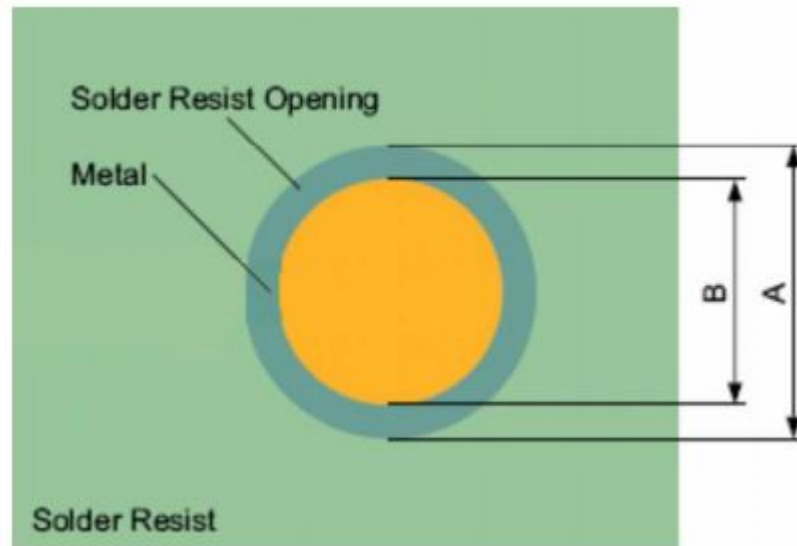
Solder Mask Defined

Non Solder Mask Defined



13.5. Recommendations for PCB Pad Dimensions (mm)

It is not recommended to place via or micro-via not covered by solder resist in an area of 0.3 mm around the pads unless it carries the same signal as the pad itself (see following figure).



Description	Diameter [mm]	
Solder resist opening A	1.9 Except for ANT and VBATT	2.3
Metal pad B	1.6	2.0

Holes in pad are allowed only for blind holes and not for through holes.

Recommendations for PCB Pad Surfaces:

Finish	Layer thickness (um)	Properties
Electro-less Ni / Immersion Au	3 ~ 7 / 0.05 ~ 0.15	good solder ability protection, high shear force values

The PCB must be able to resist the higher temperatures which are occurring at the lead-free process. This issue should be discussed with the PCB-supplier. Generally, the wettability of tin-lead solder paste on the described surface plating is better compared to lead-free solder paste.



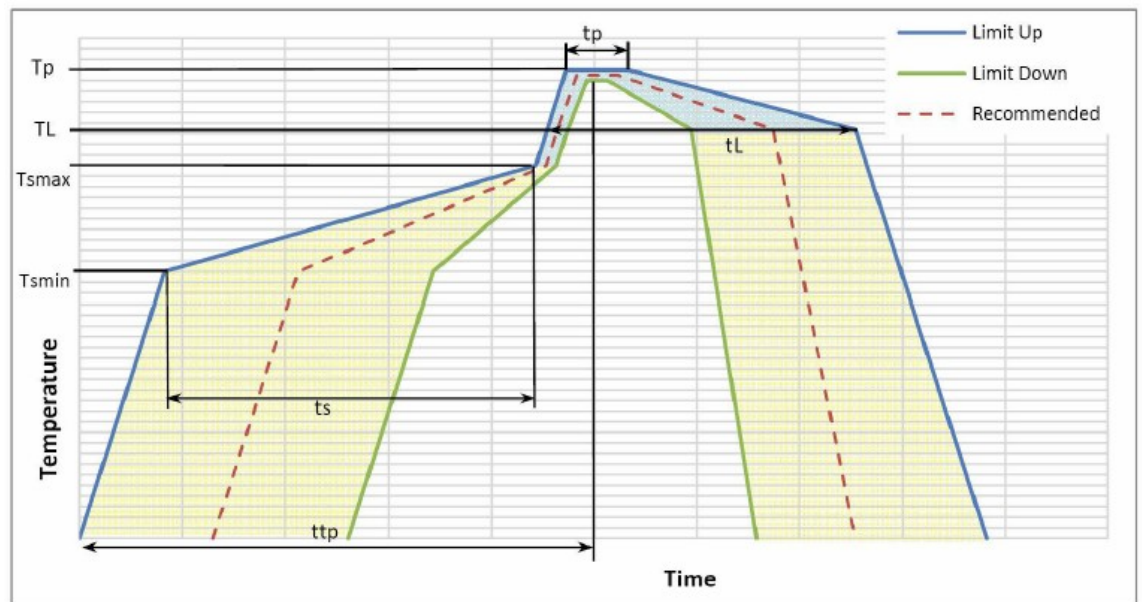
13.6. Solder Paste

Solder Paste	Lead free
	Sn/Ag/Cu

We recommend using only “no clean” solder paste in order to avoid the cleaning of the modules after assembly.

13.6.1. Solder Reflow

The following is the recommended solder reflow profile:



Profile Feature	Pb-Free Assembly
Average ramp-up rate (TL to TP)	3°C/second max
Preheat - Temperature Min (Tsmin) - Temperature Max (Tsmax) - Time (min to max) (ts)	150°C 200°C 60 ~ 180 seconds
Tsmax to TL - Ramp-up Rate	3°C/second max
Time maintained above: - Temperature (TL) - Time (tL)	217°C 60 ~ 150 seconds



Profile Feature	Pb-Free Assembly
Peak Temperature (T_P)	245 +0/-5°C
Time within 5°C of actual Peak Temperature (t_P)	10 ~30 seconds
Ramp-down Rate	6 °C/second max
Time 25°C to Peak Temperature	8 minutes max



NOTE:

All temperatures refer to topside of the package, measured on the package body surface.



WARNING:

The DE921 module withstands two reflow processes.



14. Packing System

The DE921 modules are packaged on trays of TBD pieces each. These trays can be used in SMT processes for pick & place handling.

14.1. Reel

The DE921 can be packaged on reels of TBD pieces each.
See figure for module positioning into the carrier.

14.1.1. Carrier Tape Detail

14.1.2. Reel Detail

14.1.3. Packaging Detail



14.2. Moisture Sensibility

The DE921 is a Moisture Sensitive Device level 3, in accordance with standard IPC/JEDEC J-STD-020, take care all the relatives requirements for using this kind of components.

Moreover, the customer has to take care of the following conditions:

- a) Calculated shelf life in sealed bag: 12 months at <math><40^{\circ}\text{C}</math> and <math><90\%</math> relative humidity (RH).
- b) Environmental condition during the production: 30°C / 60% RH according to IPC/JEDEC J-STD-033A paragraph 5.
- c) The maximum time between the opening of the sealed bag and the reflow process must be 168 hours if condition b) “IPC/JEDEC J-STD-033A paragraph 5.2” is respected
- d) Baking is required if conditions b) or c) are not respected
- e) Baking is required if the humidity indicator inside the bag indicates 10% RH or more



15. Application Design Guide

15.1. Download and Debug Port

One of the following options should be chosen in the design of host system in order to download or upgrade the Telit's software and debug DE921 when DE921 is already mounted on a host system.

Users who use both of UART and USB interfaces to communicate DE921

- Must implement a download method in a host system for upgrading DE921 when it's mounted.

Users who use USB interface only to communicate DE921

- Must arrange UART port in a host system for upgrading or debugging DE921 when it's mounted.

Users who use UART interface only to communicate DE921

- Must arrange USB port in a host system for upgrading or debugging DE921 when it's mounted.



16. **Certifications and Conformity (Certifications et Conformité)**

The DE921 is FCC/IC Approved as a module to be installed in other devices. This device should be used only for fixed and mobile applications and if the final product after integration is intended for portable use, a new application and FCC is required.

Le DE921 est approuvé FCC/IC comme module à installer dans d'autres dispositifs. Ce dispositif doit être utilisé uniquement pour des applications fixes et mobiles et si le produit fini est prévu après intégration pour un usage portatif, une nouvelle application et la FCC est requise

The user is cautioned that this device should be used only as specified within this manual to meet RF exposure requirements.

L'utilisateur est averti que ce dispositif doit être utilisé uniquement comme spécifié dans ce manuel pour répondre aux normes d'exposition aux ondes rf.

Use of this device in a manner inconsistent with this manual could lead to excessive RF exposure conditions.

L'utilisation de ce dispositif en quelque sorte contradictoire avec ce manuel a pu mener aux états excessifs d'exposition de rf.

The DE921 conforms to the following US Directives:

- Use of RF Spectrum. Standards: FCC47 Part 22&24&90
- EMC Standards: FCC47 Part 15

Le DE921 est conforme aux directives suivantes des USA

- Utilisation de spectre de rf. Normes : FCC47 partie 22&24&90
- Normes d'EMC : FCC47 partie 15

This device complies with Part 15 of the FCC Rules.

Ce dispositif est conforme à la partie 15 des règles FCC.

Operation is subject to the following two conditions:

- (1) This device may not cause harmful interference, and
- (2) This device must accept any interference, including interference that may cause undesired operation of the device.

Le fonctionnement est sujet aux deux conditions suivantes :

- (1) ce dispositif peut ne pas causer l'interférence nocive, et
- (2) ce dispositif doit accepter aucune interférence, y compris un interférence qui pourrait causer le fonctionnement non désiré du dispositif.



The user must refer to below information to meet the FCC/IC's RF exposure rules and regulations when they design:

Lors de la conception, l'utilisateur doit se référer à l'information ci-dessous pour remplir les conditions et réglementations FCC/IC' d'exposition aux ondes RF:

- The system antenna(s) used for this transmitter must be installed to provide a separation distance of at least 20 cm from all the persons and must not be co-located or operating in conjunction with any other antenna or transmitter.
Le système d'antenne utilisé pour cet émetteur doit être installé à une distance d'au moins de 20 cm de toute personne et ne doit pas être co-implanté ou opérer en même temps que n'importe quelle autre antenne ou émetteur.
- The system antenna(s) used for this module must not exceed 5.12dBi in CDMA BC0&BC10 and 6.12dBi in CDMA BC1 for mobile and fixed or mobile operating configurations.
Le système d'antenne utilisé pour ce module ne doit pas dépasser 5.12dBi en CDMA BC0&BC10 et 6.12dBi en CDMA BC1 pour des configurations mobiles et fixes ou des configurations opérant en mode mobile.
- Users and installers must be provided with antenna installation instructions and transmitter operating conditions for satisfying RF exposure compliance.
Manufacturers of mobile, fixed or portable devices incorporating this module are advised to clarify any regulatory questions and to have their complete product tested and approved for FCC compliance.
Les instructions d'installation de l'antenne ainsi que les conditions de fonctionnement de l'émetteur doivent être remis aux utilisateurs et aux installateurs conformément à la réglementation sur l'exposition aux ondes rf. Des fabricants des dispositifs mobiles, fixes ou portables incorporant ce module sont invités à clarifier toutes les questions de normalisation et à avoir leur produit complètement testé pour la mise en conformité FCC.
- DE921 is intended for the OEM integrator only.
DE921 est prévu pour l'intégrateur OEM seulement.
- The user is required to see the Grant of Equipment document for other restrictions.
L'utilisateur doit se référer au document « Grant of equipment » pour d'autres restrictions.
- DE921 must be operated and used with a locally approved access point.
DE921 doit être actionné et utilisé avec un point d'accès localement approuvé.
- The radio transmitter(IC ID: 5131A-DE921) has been approved by Industry Canada to operate with the antenna type listed in this manual with the maximum permissible gain and required antenna impedance for each antenna type indicated. Antenna types not included in this list, having a gain greater than the maximum gain indicated for that type, are strictly prohibited for use with this device.
L'émetteur radio (identification d'IC : 5131A-DE921) a été approuvé par Industry Canada pour fonctionner avec le type d'antenne énuméré dans ce manuel avec le gain autorisé maximum et l'impédance d'antenne exigée pour chaque type d'antenne indiqué. Les types d'antenne non inclus dans cette liste, ayant un gain supérieur au gain maximum indiqué pour ce type, sont strictement interdits pour un usage avec ce dispositif.
- If antenna is co-located or operating in conjunction with any other antenna or transmitter then additional FCC/IC testing may be required.



Si l'antenne est co-situé ou opérant en conjonction avec tout autre antenne ou transmetteur puis tests FCC / IC supplémentaire peut être nécessaire.

- This device is granted for use in Mobile only configurations only in which the antennas used for this transmitter must be installed to provide a separation distance of at least 20cm from all persons and not be co-located with any other transmitters except in accordance with FCC multi-transmitter product procedures.

Ce dispositif est accordée pour une utilisation à Mobile Seules les configurations dans lequel seules les antennes utilisées pour cet émetteur doivent être installés pour fournir une distance de séparation d'au moins 20 cm de toutes les personnes et ne pas être co-localisés avec d'autres émetteurs sauf en conformité avec la FCC procédures de produits multi-émetteur.

- This module is not certified for simultaneous transmissions with other co-located transmitters. Additional testing and certification may be necessary when this module transmits simultaneously with any other radiating source. The OEM integrator is responsible for testing their end-product for any additional compliance requirements. If an intentional radiator incorporates more than one antenna or other radiating source and these radiating sources are designed to emit at the same time, measurements of conducted and radiated emissions shall be performed with all radiating sources that are to be employed emitting. In no event may the measured emissions of the composite system exceed the highest level permitted for an individual component. The OEM integrator must demonstrate that the final host product is compliant with all transmitters operating simultaneously, if applicable. Ce module est pas certifié pour transmissions simultanées avec d'autres émetteurs co-localisés. Essai et de certification supplémentaires peuvent être nécessaires lors de ce module transmet simultanément avec toute autre source de rayonnement. L'intégrateur OEM est responsable de tester leur produit final pour toutes les exigences de conformité supplémentaires. Si un radiateur intentionnel incorpore plus d'une antenne ou d'une autre source de rayonnement et de ces sources de rayonnement sont conçus pour émettre en même temps, les mesures des émissions conduites et rayonnées sont effectuées avec toutes les sources rayonnantes qui sont à employer électroluminescente. En aucun cas, les émissions mesurées du système composite peuvent dépasser le plus haut niveau autorisé pour un composant individuel. L'intégrateur OEM doit démontrer que le produit hôte final est conforme à tous les émetteurs fonctionnant simultanément, le cas échéant.

The following regulatory and safety notices must be published in documentation supplied to the end user of the product or system incorporating an adapter in compliance with local regulations.

- Host system including DE921 must be labeled with
“Contains transmitter module with FCC ID: R17DE921 and IC ID: 5131A-DE921”

Les notices de normalisation et de sécurité doivent se trouver dans la documentation fournie à l'utilisateur du produit ou du système incorporant un adaptateur conforme aux réglementations locales.

- Le système hôte comprenant DE921 doit être marqué avec « Contient un module émetteur avec IDENTIFICATION FCC : R17DE9210 et identification IC : 5131A-DE921 »



17. Safety Recommendations

READ CAREFULLY

Be sure the use of this product is allowed in the country and in the environment required. The use of this product may be dangerous and has to be avoided in the following areas:

- Where it can interfere with other electronic devices in environments such as hospitals, airports, aircrafts, etc.
- Where there is risk of explosion such as gasoline stations, oil refineries, etc. It is the responsibility of the user to enforce the country's regulations and the specific environmental regulation.

Do not disassemble the product; any evidence of tampering will compromise the warranty validity. Follow the instructions of the hardware user guides for a correct wiring of the product. The product has to be supplied with a stabilized voltage source and the wiring has to conform to the security and fire prevention regulations. The product has to be handled with care, avoiding any contact with the pads because electrostatic discharges may damage the product itself.

The system integrator is responsible for the functioning of the final product; therefore, care has to be taken with the external components of the module as well as of any project or installation issue because of the risk of disturbing the CDMA network or external devices or having impact on security. Should there be any doubt, please refer to the technical documentation and the regulations in force. Every module has to be equipped with a proper antenna with specific characteristics. The antenna has to be installed with care in order to avoid any interference with other electronic devices and has to guarantee a minimum distance from the body (20 cm). In case this requirement cannot be satisfied, the system integrator has to assess the final product against SAR regulations.



18. Document History

Revision	Date	Changes
1	2015-2-13	Draft

