

Telit
GE863-QUAD
GE863-PY

Hardware User Guide

© Telit Communications S.p.A. 2004 - 2005

Contents

1	OVERVIEW	5
2	HARDWARE COMMANDS	6
2.1	Turning ON the GE863-QUAD	6
2.2	Turning OFF the GE863-QUAD	8
2.2.1	Hardware shutdown	8
2.3	Hardware Unconditional Reboot	8
3	POWER SUPPLY	10
3.1	Power Supply Requirements	10
3.2	General Design Rules	10
3.2.1	Electrical design Guidelines	11
3.2.1.1	+ 5V input Source Power Supply Design Guidelines	11
3.2.1.2	+ 12V input Source Power Supply Design Guidelines	12
3.2.1.3	Battery Source Power Supply Design Guidelines	13
3.2.1.4	Battery Charge control Circuitry Design Guidelines	13
3.2.2	Thermal Design Guidelines	15
3.2.3	Power Supply PCB layout Guidelines	16
4	ANTENNA	17
4.1	Antenna Requirements	17
4.2	Antenna PCB line Guidelines	18
4.3	Antenna installation Guidelines	19
5	SERIAL PORT	20
5.1	RS232 level translation	22
5.2	5V UART level translation	24
6	MICROPHONE	26
6.1	Microphone line Characteristic and requirements	26

6.2	General Design Rules	29
6.3	Microphone Biasing	29
6.3.1	Balanced Microphone biasing	30
6.3.2	Unbalanced Microphone biasing	31
6.4	Microphone buffering	32
6.4.1	Buffered Balanced Mic.	32
6.4.2	Buffered Unbalanced (Single Ended) Mic.	34
7	SPEAKER	37
7.1	Speaker lines characteristics and requirements	37
7.2	General Design rules	39
7.2.1	Noise Filtering	40
7.3	Handset earphone design	40
7.4	Hands Free earphone (low power) design	42
7.5	Car Kit speakerphone design	42
8	GENERAL PURPOSE I/O	44
8.1	Using a GPIO pad as INPUT	44
8.2	Using a GPIO pad as OUTPUT	44
8.3	Using the Alarm Output GPIO6	45
8.4	Using the Buzzer Output GPIO7	45
9	CAMERA	46
9.1	Agilent Camera	46
9.1.1	Camera interface connectors	46
9.2	Transchip Camera	48
9.2.1	Camera interface connectors	48
9.2.2	EVB for Agilent and Transchip camera support	51
9.2.3	Block Diagram for supported cameras	52
9.2.4	Schematic Diagrams for supported cameras	53
9.2.5	Example usage script for camera	55

DOCUMENT CHANGE LOG	57
10 ANNEX A - EVK SCHEMATICS	58

1 Overview

The aim of this document is the description of some hardware solutions useful for developing a product with the [Telit GE863-QUAD module](#).

In this document all the basic functions of a mobile phone will be taken into account; for each one of them a proper hardware solution will be suggested and eventually the wrong solutions and common errors to be avoided will be evidenced. Obviously this document can not embrace the whole hardware solutions and products that may be designed. The wrong solutions to be avoided shall be considered as mandatory, while the suggested hardware configurations shall not be considered mandatory, instead the information given shall be used as a guide and a starting point for properly developing your product with the [Telit GE863-QUAD module](#). For further hardware details that may not be explained in this document refer to the Telit GE863-QUAD Product Description document where all the hardware information is reported.

NOTICE

(EN) The integration of the GSM/GPRS GE863-QUAD cellular module within user application shall be done according to the design rules described in this manual.

(IT) L'integrazione del modulo cellulare GSM/GPRS GE863-QUAD all'interno dell'applicazione dell'utente dovrà rispettare le indicazioni progettuali descritte in questo manuale.

(DE) Die Integration des GE863-QUAD GSM/GPRS Mobilfunk-Moduls in ein Gerät muß gemäß der in diesem Dokument beschriebenen Konstruktionsregeln erfolgen

(SL) Integracija GSM/GPRS GE863-QUAD modula v uporabniški aplikaciji bo morala upoštevati projektna navodila, opisana v tem priločniku.

(SP) La utilización del modulo GSM/GPRS GE863-QUAD debe ser conforme a los usos para los cuales ha sido diseñado descritos en este manual del usuario

(FR) L'intégration du module cellulaire GE863-QUAD GSM/GPRS dans l'application de l'utilisateur sera faite selon les règles de conception décrites dans ce manuel

(HE) האינטגרציה של המודם הסלולרי GE863-QUAD עם המוצר. את ההנחיות המפורטות במסמך זה בתהליך האינטגרציה של המודם הסלולרי.

The information presented in this document is believed to be accurate and reliable. However, no responsibility is assumed by Telit Communication S.p.A. for its use, nor any infringement of patents or other rights of third parties which may result from its use. No license is granted by implication or otherwise under any patent rights of Telit Communication S.p.A. other than for circuitry embodied in Telit products. This document is subject to change without notice.

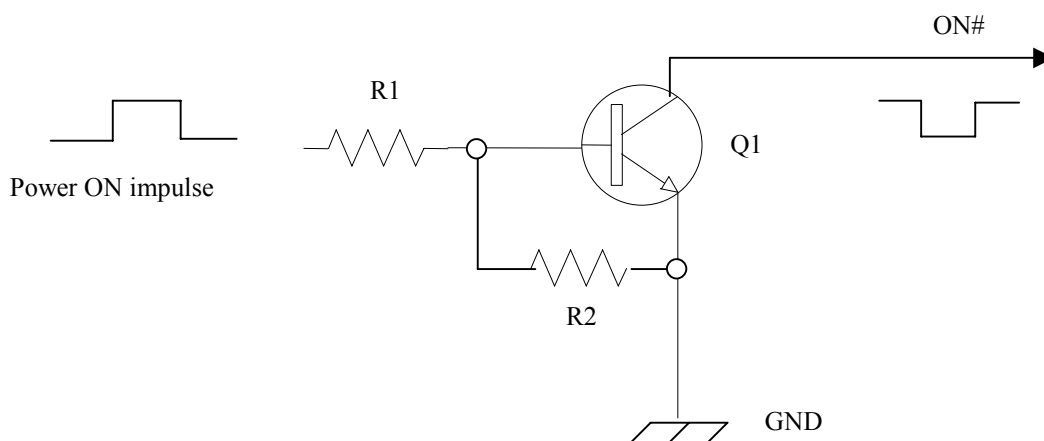
2 Hardware Commands

2.1 Turning ON the GE863-QUAD

To turn on the GE863-QUAD the pad ON# must be tied low for at least 1 second and then released.

The maximum current that can be drained from the ON# pad is 0,1 mA.

A simple circuit to do it is:



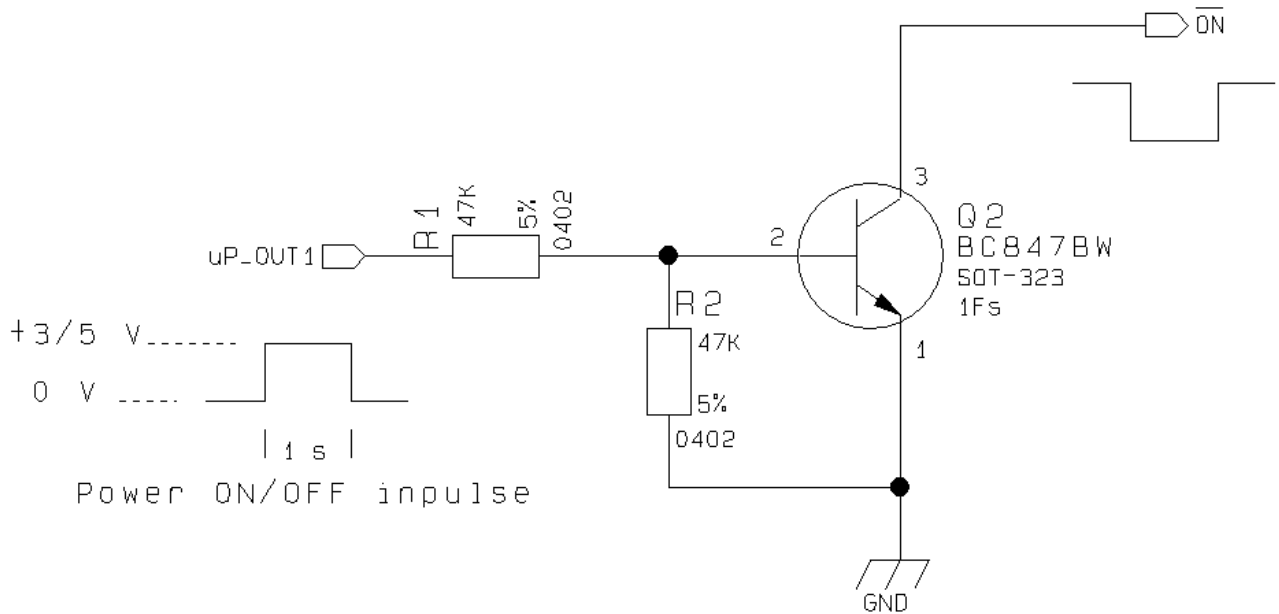
NOTE: don't use any pull up resistor on the ON# line, it is internally pulled up. Using pull up resistor may bring to latch up problems on the GE863-QUAD power regulator and improper power on/off of the module. The line ON# must be connected only in open collector configuration.

NOTE: In this document all the lines that are inverted, hence have active low signals are labeled with a name that ends with a "#" or with a bar over the name.

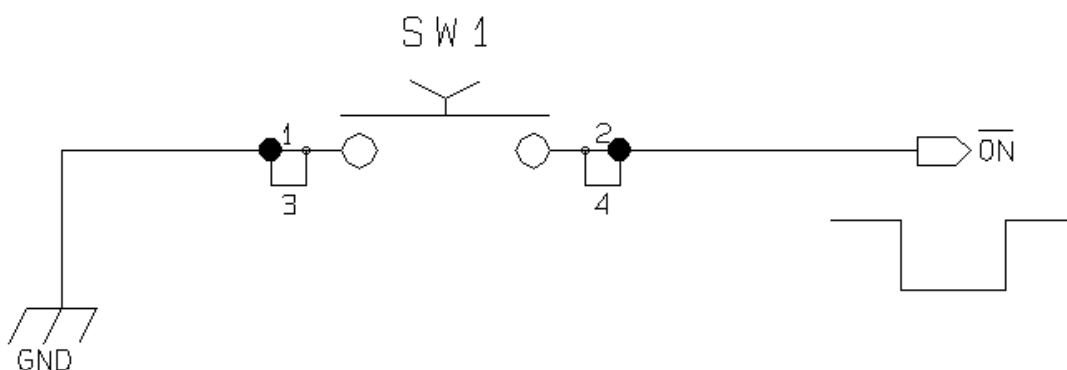
NOTE: The GE863-QUAD turns fully on also by supplying power to the Charge pad (provided there's a battery on the VBATT pads).

For example:

1- Let's assume you need to drive the ON# pad with a totem pole output of a +3/5 V microcontroller (uP_OUT1):



2- Let's assume you need to drive the ON# pad directly with an ON/OFF button:



2.2 Turning OFF the GE863-QUAD

The turning off of the device can be done in three ways:

- by software command (see GE863-QUAD Software User Guide)
- by hardware shutdown

When the device is shut down by software command or by hardware shutdown, it issues to the network a detach request that informs the network that the device will not be reachable any more.

2.2.1 Hardware shutdown

To turn OFF the GE863-QUAD the pad ON# must be tied low for at least 1 second and then released.

The same circuitry and timing for the power on shall be used.

The device shuts down after the release of the ON# pad.



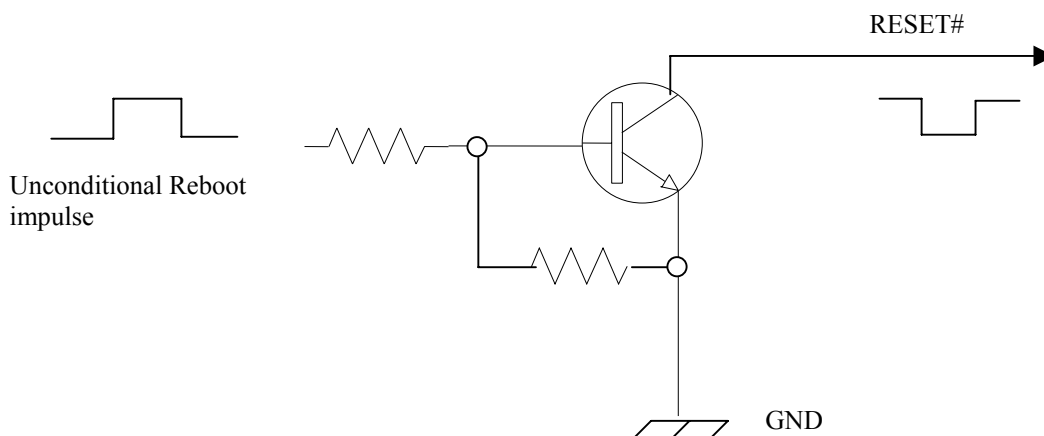
TIP: To check if the device has powered off, the hardware line PWRCTL should be monitored. When PWRCTL goes low, the device has powered off.

2.3 Hardware Unconditional Reboot

To unconditionally Reboot the GE863-QUAD, the pad RESET# must be tied low for at least 200 milliseconds and then released.

The maximum current that can be drained from the ON# pad is 0,15 mA.

A simple circuit to do it is:





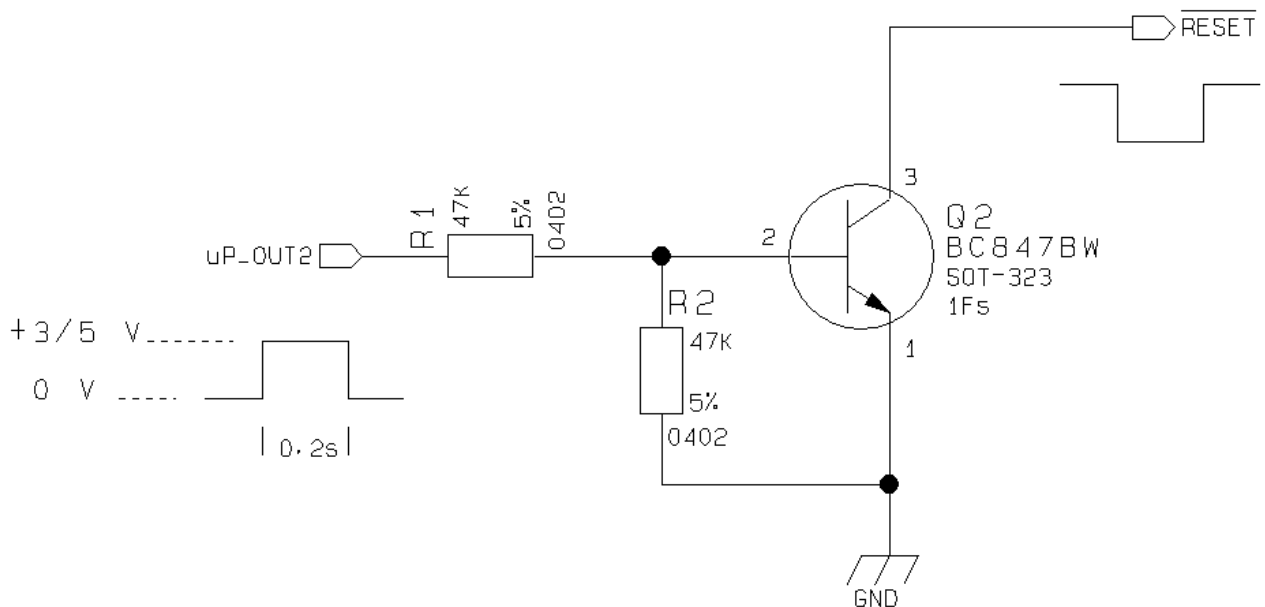
NOTE: don't use any pull up resistor on the RESET# line nor any totem pole digital output. Using pull up resistor may bring to latch up problems on the GE863-QUAD power regulator and improper functioning of the module. The line RESET# must be connected only in open collector configuration.



TIP: The unconditional hardware reboot should be always implemented on the boards and software should use it as an emergency exit procedure.

For example:

1- Let's assume you need to drive the RESET# pad with a totem pole output of a +3/5 V microcontroller (uP_OUT2):



3 Power Supply

The power supply circuitry and board layout are a very important part in the full product design and they strongly reflect on the product overall performances, hence read carefully the requirements and the guidelines that will follow for a proper design.

3.1 Power Supply Requirements

The GE863-QUAD power requirements are:

- *Nominal Supply Voltage:* 3.8 V
- *Max Supply Voltage:* 4.2 V
- *Supply voltage range:* 3.4 V - 4.2 V
- *Max Peak current consumption (impulsive):* 1.9 A
- *Max Average current consumption during GPRS transmission (rms):* 500 mA
- *Max Average current consumption during VOICE/CSD transmission (rms):* 270 mA
- *Average current during Power Saving:* ≈ 4 mA
- *Average current during idle (Power Saving disabled)* ≈ 19 mA

The GSM system is made in a way that the RF transmission is not continuous, else it is packed into bursts at a base frequency of about 216 Hz, the relative current peaks can be as high as about 2A. Therefore the power supply has to be designed in order to withstand with these current peaks without big voltage drops; this means that both the electrical design and the board layout must be designed for this current flow.

If the layout of the PCB is not well designed a strong noise floor is generated on the ground and the supply; this will reflect on all the audio paths producing an audible annoying noise at 216 Hz; if the voltage drop during the peak current absorption is too much, then the device may even shutdown as a consequence of the supply voltage drop.



TIP: The electrical design for the Power supply should be made ensuring it will be capable of a peak current output of at least 2 A.

3.2 General Design Rules

The principal guidelines for the Power Supply Design embrace three different design steps:

- the electrical design
- the thermal design.
- the PCB layout.

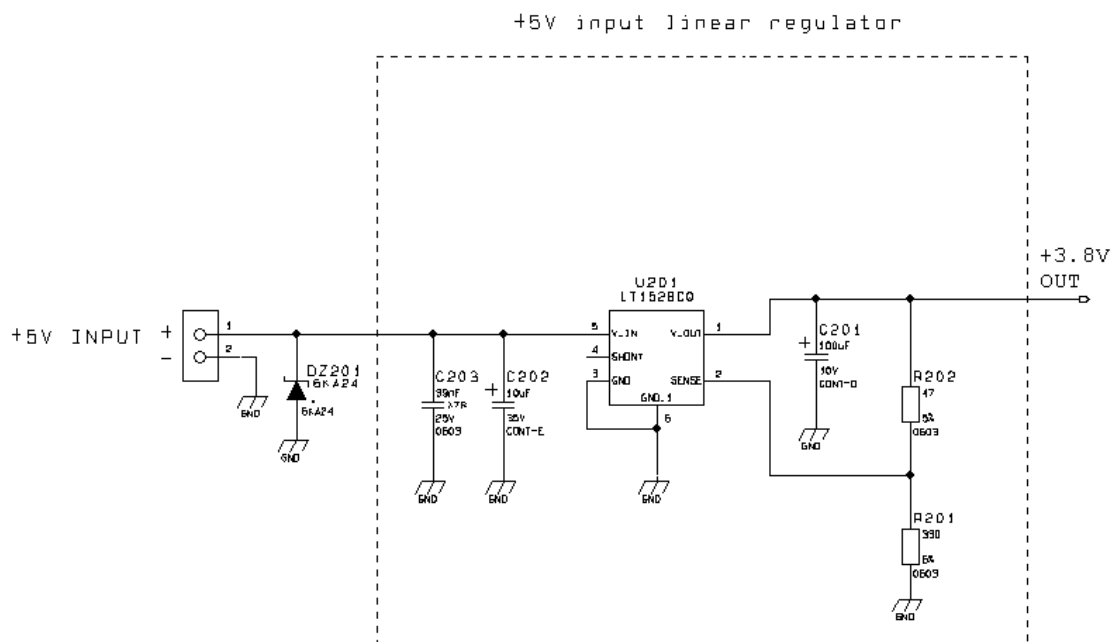
3.2.1 Electrical design Guidelines

The electrical design of the power supply depends strongly from the power source where this power is drained. We will distinguish them into three categories:

- +5V input (typically PC internal regulator output)
- +12V input (typically automotive)
- Battery

3.2.1.1 + 5V input Source Power Supply Design Guidelines

- The desired output for the power supply is 3.8V, hence there's not a big difference between the input source and the desired output and a linear regulator can be used. A switching power supply will not be suited because of the low drop out requirements.
- When using a linear regulator, a proper heat sink shall be provided in order to dissipate the power generated.
- A Bypass low ESR capacitor of adequate capacity must be provided in order to cut the current absorption peaks close to the GE863-QUAD, a 100 μ F tantalum capacitor is usually suited.
- Make sure the low ESR capacitor on the power supply output (usually a tantalum one) is rated at least 10V.
- A protection diode should be inserted close to the power input, in order to save the GE863-QUAD from power polarity inversion.

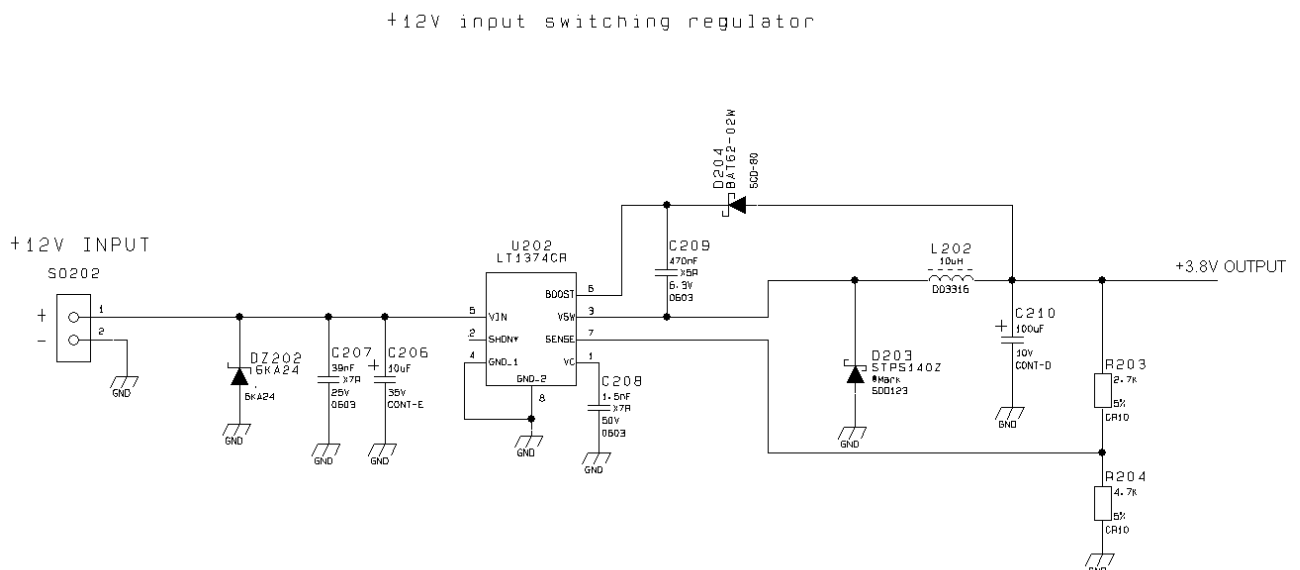


An example of linear regulator with 5V input is:

3.2.1.2 + 12V input Source Power Supply Design Guidelines

- The desired output for the power supply is 3.8V, hence due to the big difference between the input source and the desired output, a linear regulator is not suited and shall not be used. A switching power supply will be preferable because of its better efficiency especially with the 2A peak current load represented by the GE863-QUAD.
- When using a switching regulator, a 500kHz or more switching frequency regulator is preferable because of its smaller inductor size and its faster transient response. This allows the regulator to respond quickly to the current peaks absorption.
- For car PB battery the input voltage can rise up to 15,8V and this should be kept in mind when choosing components: all components in the power supply must withstand this voltage.
- A Bypass low ESR capacitor of adequate capacity must be provided in order to cut the current absorption peaks, a 100µF tantalum capacitor is usually suited.
- Make sure the low ESR capacitor on the power supply output (usually a tantalum one) is rated at least 10V.
- For Car applications a spike protection diode should be inserted close to the power input, in order to clean the supply from spikes.
- A protection diode should be inserted close to the power input, in order to save the GE863-QUAD from power polarity inversion. This can be the same diode as for spike protection.

An example of switching regulator with 12V input is:



3.2.1.3 Battery Source Power Supply Design Guidelines

- The desired nominal output for the power supply is 3.8V and the maximum voltage allowed is 4.2V, hence a single 3.7V Li-Ion cell battery type is suited for supplying the power to the Telit GE863-QUAD module.

The three cells Ni/Cd or Ni/MH 3,6 V Nom. battery types or 4V PB types **MUST NOT BE USED DIRECTLY** since their maximum voltage can rise over the absolute maximum voltage for the GE863-QUAD and damage it.



NOTE: DON'T USE any Ni-Cd, Ni-MH, and Pb battery types directly connected with GE863-QUAD. Their use can lead to overvoltage on the GE863-QUAD and damage it. USE ONLY Li-Ion battery types.

- A Bypass low ESR capacitor of adequate capacity must be provided in order to cut the current absorption peaks, a 100 μ F tantalum capacitor is usually suited.
- Make sure the low ESR capacitor (usually a tantalum one) is rated at least 10V.
- A protection diode should be inserted close to the power input, in order to save the GE863-QUAD from power polarity inversion. Otherwise the battery connector should be done in a way to avoid polarity inversions when connecting the battery.
- The battery capacity must be at least 500mAh in order to withstand the current peaks of 2A; the suggested capacity is from 500mAh to 1000mAh.

3.2.1.4 Battery Charge control Circuitry Design Guidelines

The charging process for Li-Ion Batteries can be divided into 4 phases:

- Qualification and trickle charging
- Fast charge 1 - constant current
- Final charge - constant voltage or pulsed charging
- Maintenance charge

The qualification process consists in a battery voltage measure, indicating roughly its charge status. If the battery is deeply discharged, that means its voltage is lower than the trickle charging threshold, then the charge must start slowly possibly with a current limited pre-charging process where the current is kept very low with respect to the fast charge value: the trickle charging.

During the trickle charging the voltage across the battery terminals rises; when it reaches the fast charge threshold level the charging process goes into fast charge phase.

During the fast charge phase the process proceeds with a current limited charging; this current limit depends on the required time for the complete charge and from the battery pack capacity. During this phase the voltage across the battery terminals still raises but at a lower rate.

Once the battery voltage reaches its maximum voltage then the process goes into its third state: Final charging. The voltage measure to change the process status into final charge is very

important. It must be ensured that the maximum battery voltage is never exceeded, otherwise the battery may be damaged and even explode. Moreover for the constant voltage final chargers, the constant voltage phase (final charge) must not start before the battery voltage has reached its maximum value, otherwise the battery capacity will be highly reduced.

The final charge can be of two different types: constant voltage or pulsed. GE863-QUAD uses constant voltage.

The constant voltage charge proceeds with a fixed voltage regulator (very accurately set to the maximum battery voltage) and hence the current will decrease while the battery is becoming charged. When the charging current falls below a certain fraction of the fast charge current value, then the battery is considered fully charged, the final charge stops and eventually starts the maintenance.

The pulsed charge process has no voltage regulation, instead the charge continues with pulses. Usually the pulse charge works in the following manner: the charge is stopped for some time, let's say few hundreds of ms, then the battery voltage will be measured and when it drops below its maximum value a fixed time length charging pulse is issued. As the battery approaches its full charge the off time will become longer, hence the duty-cycle of the pulses will decrease. The battery is considered fully charged when the pulse duty-cycle is less than a threshold value, typically 10%, the pulse charge stops and eventually the maintenance starts.

The last phase is not properly a charging phase, since the battery at this point is fully charged and the process may stop after the final charge. The maintenance charge provides an additional charging process to compensate for the charge leak typical of a Li-Ion battery. It is done by issuing pulses with a fixed time length, again few hundreds of ms, and a duty-cycle around 5% or less.

This last phase is not implemented in the GE863-QUAD internal charging algorithm, so that the battery once charged is left discharging down to a certain threshold so that it is cycled from full charge to slight discharge even if the battery charger is always inserted. This guarantees that anyway the remaining charge in the battery is a good percentage and that the battery is not damaged by keeping it always fully charged (Li-Ion rechargeable battery usually deteriorate when kept fully charged).

Last but not least, in some applications it is highly desired that the charging process restarts when the battery is discharged and its voltage drops below a certain threshold, GE863-QUAD internal charger does it.

As you can see, the charging process is not a trivial task to be done; moreover all these operations should start only if battery temperature is inside a charging range, usually 5°C - 45°C.

The GE863-QUAD measures the temperature of its internal component, in order to satisfy this last requirement, it's not exactly the same as the battery temperature but in common application the two temperature should not differ too much and the charging temperature range should be guaranteed.



NOTE: For all the threshold voltages, inside the GE863-QUAD all threshold are fixed in order to maximize Li-Ion battery performances and do not need to be changed.



NOTE: In this application the battery charger input current must be limited to less than 400mA. This can be done by using a current limited wall adapter as the power source.

3.2.2 Thermal Design Guidelines

The thermal design for the power supply heat sink should be done with the following specifications:

- Average current consumption during transmission @PWR level max (rms): 500mA
- Average current consumption during transmission @ PWR level min (rms): 100mA
- Average current during Power Saving: 4mA
- Average current during idle (Power Saving disabled) 19mA



NOTE: The average consumption during transmissions depends on the power level at which the device is requested to transmit by the network. The average current consumption hence varies significantly.



TIP: The thermal design for the Power supply should be made keeping a average consumption at the max transmitting level during calls of 500mA rms.

Considering the very low current during idle, especially if Power Saving function is enabled, it is possible to consider from the thermal point of view that the device absorbs current significantly only during calls.

If we assume that the device stays into transmission for short periods of time (let's say few minutes) and then remains for a quite long time in idle (let's say one hour), then the power supply has always the time to cool down between the calls and the heat sink could be smaller than the calculated one for 500mA maximum RMS current, or even could be the simple chip package (no heat sink).

Moreover in the average network conditions the device is requested to transmit at a lower power level than the maximum and hence the current consumption will be less than the 500mA, being usually around 150mA.

For these reasons the thermal design is rarely a concern and the simple ground plane where the power supply chip is placed can be enough to ensure a good thermal condition and avoid overheating.

For the heat generated by the GE863-QUAD, you can consider it to be during transmission 1W max during CSD/VOICE calls and 2W max during class10 GPRS upload.

This generated heat will be mostly conducted to the ground plane under the GE863-QUAD, you must ensure that your application can dissipate it.

3.2.3 Power Supply PCB layout Guidelines

As seen on the electrical design guidelines the power supply shall have a low ESR capacitor on the output to cut the current peaks and a protection diode on the input to protect the supply from spikes and polarity inversion. The placement of these components is crucial for the correct working of the circuitry. A misplaced component can be useless or can even decrease the power supply performances.

- The Bypass low ESR capacitor must be placed close to the Telit GE863-QUAD power input pads or in the case the power supply is a switching type it can be placed close to the inductor to cut the ripple provided the PCB trace from the capacitor to the GE863-QUAD is wide enough to ensure a dropless connection even during the 2A current peaks.
- The protection diode must be placed close to the input connector where the power source is drained.
- The PCB traces from the input connector to the power regulator IC must be wide enough to ensure no voltage drops occur when the 2A current peaks are absorbed. Note that this is not made in order to save power loss but especially to avoid the voltage drops on the power line at the current peaks frequency of 216 Hz that will reflect on all the components connected to that supply, introducing the noise floor at the burst base frequency. For this reason while a voltage drop of 300-400 mV may be acceptable from the power loss point of view, the same voltage drop may not be acceptable from the noise point of view. If your application doesn't have audio interface but only uses the data feature of the Telit GE863-QUAD, then this noise is not so disturbing and power supply layout design can be more forgiving.
- The PCB traces to the GE863-QUAD and the Bypass capacitor must be wide enough to ensure no significant voltage drops occur when the 2A current peaks are absorbed. This is for the same reason as previous point. Try to keep this trace as short as possible.
- The PCB traces connecting the Switching output to the inductor and the switching diode must be kept as short as possible by placing the inductor and the diode very close to the power switching IC (only for switching power supply). This is done in order to reduce the radiated field (noise) at the switching frequency (100-500 kHz usually).
- The use of a good common ground plane is suggested.
- The placement of the power supply on the board should be done in such a way to guarantee that the high current return paths in the ground plane are not overlapped to any noise sensitive circuitry as the microphone amplifier/buffer or earphone amplifier.
- The power supply input cables should be kept separate from noise sensitive lines such as microphone/earphone cables.

4 Antenna

The antenna connection and board layout design are the most important part in the full product design and they strongly reflect on the product overall performances, hence read carefully and follow the requirements and the guidelines for a proper design.

4.1 Antenna Requirements

As suggested on the Product Description the antenna and antenna line on PCB for a Telit GE863-QUAD device shall fulfil the following requirements:

ANTENNA REQUIREMENTS	
Frequency range	Standard Dual Band GSM/DCS frequency range or Standard Quad Band GSM/DCS/PCS frequency range if used for all four bands
Bandwidth	80 MHz in GSM & 170 MHz in DCS & 140 MHz PCS band
Gain	Gain < 3dBi
Impedance	50 ohm
Input power	> 2 W peak power
VSWR absolute max	<= 10:1
VSWR recommended	<= 2:1

When using the Telit GE863-QUAD, since there's no antenna connector on the module, the antenna must be connected to the GE863-QUAD through the PCB with the antenna pad.

In the case that the antenna is not directly developed on the same PCB, hence directly connected at the antenna pad of the GE863-QUAD, then a PCB line is needed in order to connect with it or with its connector.

This line of transmission shall fulfil the following requirements:

ANTENNA LINE ON PCB REQUIREMENTS	
Impedance	50 ohm
Max Attenuation	0,3 dB
No coupling with other signals allowed	
Cold End (Ground Plane) of antenna shall be equipotential to the GE863-QUAD ground pins	

Furthermore if the device is developed for the US market and/or Canada market, it shall comply to the FCC and/or IC approval requirements:

This device is to be used only for mobile and fixed application. The antenna(s) used for this transmitter must be installed to provide a separation distance of at least 20 cm from all persons and must not be co-located or operating in conjunction with any other antenna or transmitter. End-Users must be provided with transmitter operation conditions for satisfying RF exposure compliance. OEM integrators must ensure that the end user has no manual instructions to remove or install the GE863-QUAD module. Antennas used for this OEM module must not exceed 3dBi gain for mobile and fixed operating configurations.

4.2 Antenna PCB line Guidelines

- Ensure that the antenna line impedance is 50 ohm;
- Keep the antenna line on the PCB as short as possible, since the antenna line loss shall be less than 0,3 dB;
- Antenna line must have uniform characteristics, constant cross section, avoid meanders and abrupt curves;
- Keep, if possible, one layer of the PCB used only for the Ground plane;
- Surround (on the sides, over and under) the antenna line on PCB with Ground, avoid having other signal tracks facing directly the antenna line track;
- The ground around the antenna line on PCB has to be strictly connected to the Ground Plane by placing vias once per 2mm at least;
- Place EM noisy devices as far as possible from GE863-QUAD antenna line;
- Keep the antenna line far away from the GE863-QUAD power supply lines;
- If you have EM noisy devices around the PCB hosting the GE863-QUAD, such as fast switching ICs, take care of the shielding of the antenna line by burying it inside the layers of PCB and surround it with Ground planes, or shield it with a metal frame cover.

- If you don't have EM noisy devices around the PCB of GE863-QUAD, by using a strip-line on the superficial copper layer for the antenna line, the line attenuation will be lower than a buried one;

4.3 Antenna installation Guidelines

- Install the antenna in a place covered by the GSM signal.
- The Antenna must be installed to provide a separation distance of at least 20 cm from all persons and must not be co-located or operating in conjunction with any other antenna or transmitter;
- Antenna shall not be installed inside metal cases
- Antenna shall be installed also according Antenna manufacturer instructions.

5 Serial Port

The serial port on the Telit GE863-QUAD is the core of the interface between the module and OEM hardware. Several configurations can be designed for the serial port on the OEM hardware, but the most common are:

- RS232 PC com port
- microcontroller UART @ 2.8V - 3V (Universal Asynchronous Receive Transmit)
- microcontroller UART@ 5V or other voltages different from 2.8V

Depending from the type of serial port on the OEM hardware a level translator circuit may be needed to make the system work. The only configuration that doesn't need a level translation is the 2.8V UART.

The serial port on the GE863-QUAD is a +2.8V UART with all the 7 RS232 signals. It differs from the PC-RS232 in the signal polarity (RS232 is reversed) and levels. The levels for the GE863-QUAD UART are the CMOS levels:

Absolute Maximum Ratings -Not Functional

Parameter	Min	Max
Input level on any digital pad when on	-0.3V	+3.75V
Input voltage on analog pads when on	-0.3V	+3.0 V

Operating Range - Interface levels (2.8V CMOS)

Level	Min	Max
Input high level V_{IH}	2.1V	3.3V
Input low level V_{IL}	0V	0.5V
Output high level V_{OH}	2.2V	3.0V
Output low level V_{OL}	0V	0.35V

The signals of the GE863-QUAD serial port are:

RS232 Pin Number	Signal	GE863-QUAD Pad Number	Name	Usage
1	DCD - dcd_uart	42	Data Carrier Detect	Output from the GE863-QUAD that indicates the carrier presence
2	RXD - tx_uart	38	Transmit line *see Note	Output transmit line of GE863-QUAD UART
3	TXD - rx_uart	37	Receive line *see Note	Input receive of the GE863-QUAD UART
4	DTR - dtr_uart	39	Data Terminal Ready	Input to the GE863-QUAD that controls the DTE READY condition
5	GND	8-17-28-36-45-48-50-56	Ground	ground
6	DSR - dsr_uart	43	Data Set Ready	Output from the GE863-QUAD that indicates the module is ready
7	RTS - rts_uart	40	Request to Send	Input to the GE863-QUAD that controls the Hardware flow control
8	CTS - cts_uart	41	Clear to Send	Output from the GE863-QUAD that controls the Hardware flow control
9	RI - ri_uart	44	Ring Indicator	Output from the GE863-QUAD that indicates the incoming call condition



NOTE: According to V.24, RX/TX signal names are referred to the application side, therefore on the GE863-QUAD side these signal are on the opposite direction: TXD on the application side will be connected to the receive line (here named TXD/ rx_uart) of the GE863-QUAD serial port and viceversa for RX.



TIP: For a minimum implementation, only the TXD and RXD lines can be connected, the other lines can be left open provided a software flow control is implemented.

The signals in the UART connector on the EVK are:

DCD	RXD
TXD	DTR
GND	DSR
RTS	CTS
RI	GND

5.1 RS232 level translation

In order to interface the Telit GE863-QUAD with a PC com port or a RS232 (EIA/TIA-232) application a level translator is required. This level translator must

- invert the electrical signal in both directions
- change the level from 0/3V to +15/-15V

Actually, the RS232 UART 16450, 16550, 16650 & 16750 chipsets accept signals with lower levels on the RS232 side (EIA/TIA-562), allowing for a lower voltage-multiplying ratio on the level translator. Note that the negative signal voltage must be less than 0V and hence some sort of level translation is always required.

The simplest way to translate the levels and invert the signal is by using a single chip level translator. There are a multitude of them, differing in the number of driver and receiver and in the levels (be sure to get a true RS232 level translator not a RS485 or other standards).

By convention the driver is the level translator from the 0-3V UART level to the RS232 level, while the receiver is the translator from RS232 level to 0-3V UART.

In order to translate the whole set of control lines of the UART you will need:

- 5 driver
- 3 receiver



NOTE: *The digital input lines working at 2.8VCMOS have an absolute maximum input voltage of 3,75V; therefore the level translator IC shall not be powered by the +3.8V supply of the module. Instead it shall be powered from a +2.8V / +3.0V (dedicated) power supply.*

This is because in this way the level translator IC outputs on the module side (i.e. GE863-QUAD inputs) will work at +3.8V interface levels, stressing the module inputs at its maximum input voltage.

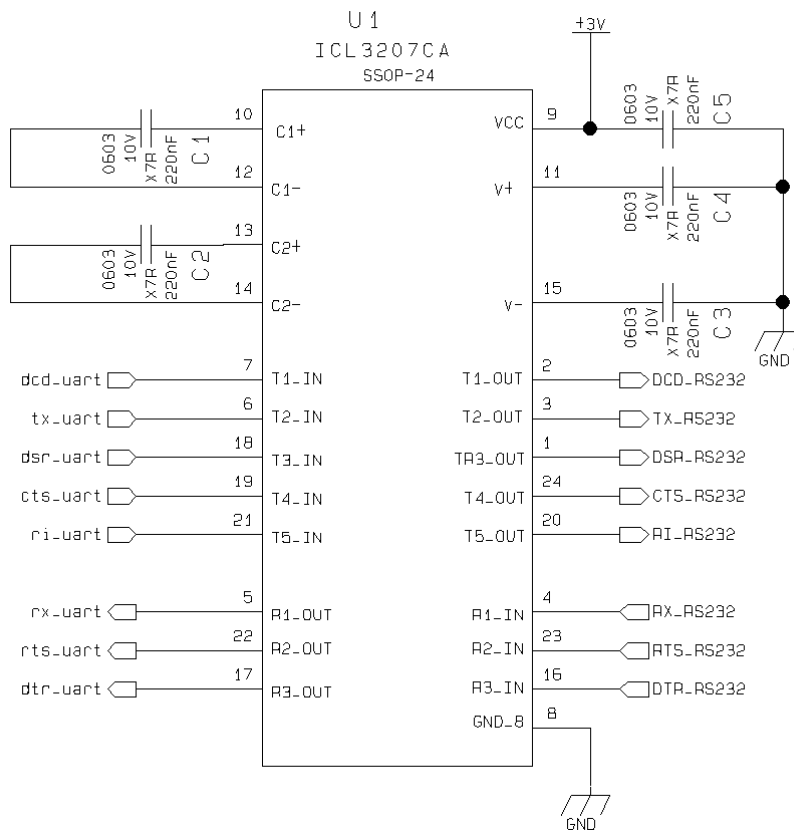
This can be acceptable for evaluation purposes, but not on production devices.



NOTE: *In order to be able to do in circuit reprogramming of the GE863-QUAD firmware, the serial port on the Telit GE863-QUAD shall be available for translation into RS232 and either it's controlling device shall be placed into tristate, disconnected or as a gateway for the serial data when module reprogramming occurs.*

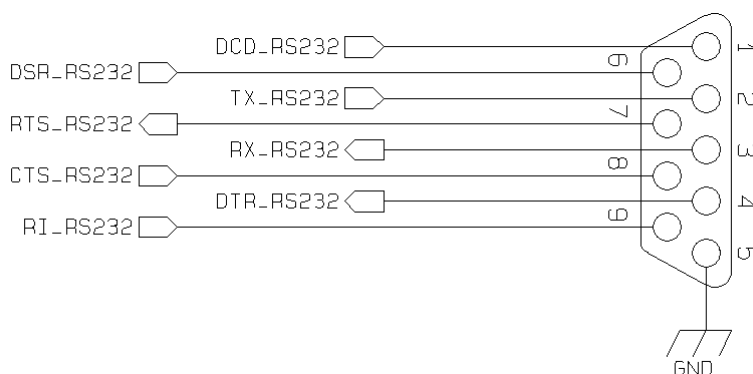
Only RXD, TXD, GND and the On/off module turn on pad are required to the reprogramming of the module, the other lines are unused.

All applicator shall include in their design such a way of reprogramming the GE863-QUAD.



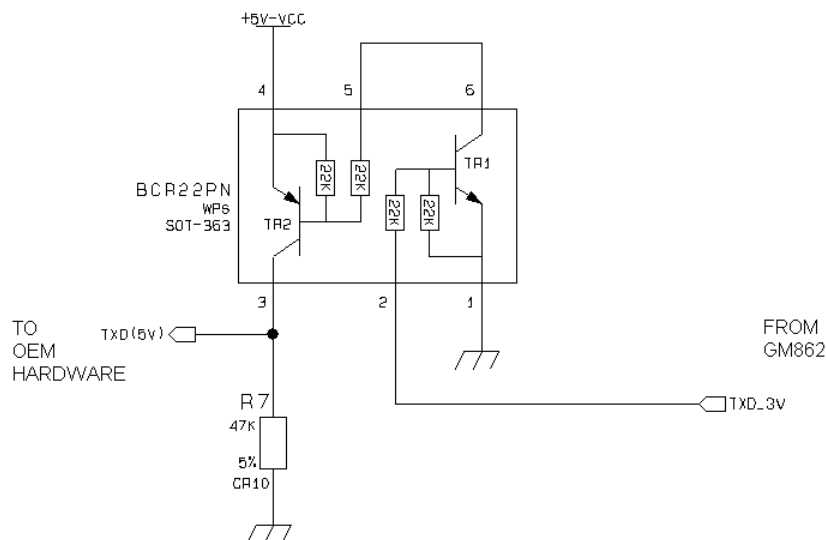
An example of level translation circuitry of this kind is:

the RS232 serial port lines are usually connected to a DB9 connector with the following layout:

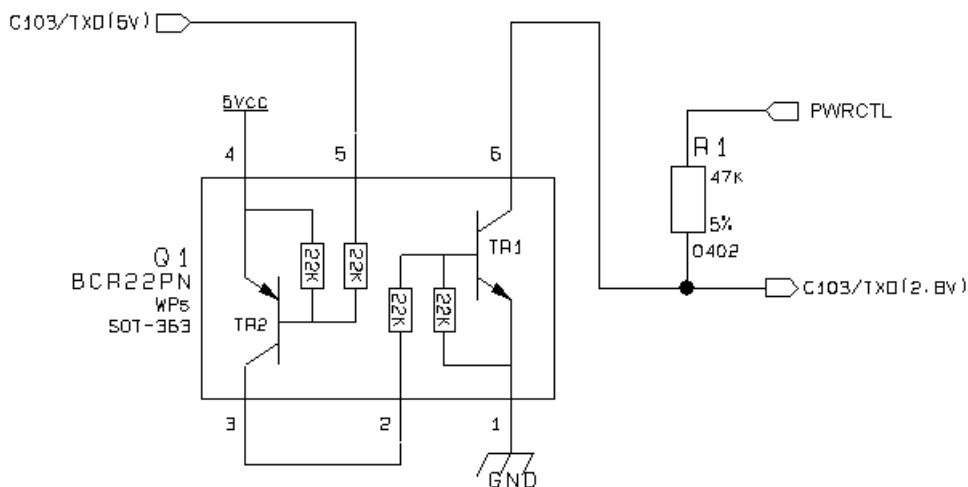


5.2 5V UART level translation

If the OEM application uses a microcontroller with a serial port (UART) that works at a voltage different from 2.8 - 3V, then a circuitry has to be provided to adapt the different levels of the two set of signals. As for the RS232 translation there are a multitude of single chip translators, but since the translation requires very few components, then also a discrete design can be suited. For example a possible inexpensive translator circuit for a 5V driver can be:



and for a 5V receiver:





NOTE: The UART input line TXD (rx_uart) of the GE863-QUAD is NOT internally pulled up with a resistor, so there may be the need to place an external 47K Ω pull-up resistor, either the DTR (dtr_uart) and RTS (rts_uart) input lines are not pulled up internally, so an external pull-up resistor of 47K Ω may be required.

A power source of the internal interface voltage corresponding to the 2.8VCMOS high level is available at the VAUX pad, whose absolute maximum output current is 100mA.

Pull-up resistors can be connected to the VAUX pad provided that the pulled-up lines are GE863-QUAD input lines connected to open collector outputs in order to avoid latch-up problems on the GE863-QUAD.

Care must be taken to avoid latch-up on the GE863-QUAD and the use of this output line to power electronic devices shall be considered with care, especially for devices that generate spikes and noise such as level translators, digital ICs or microcontroller, failure in any of these condition can severely compromise the GE863-QUAD functionality.



NOTE: The input lines working at 2.8VCMOS can be pulled-up with 47K Ω resistors that can be connected directly to the VAUX line.

NO disturbing devices should be powered with the VAUX line, otherwise the module functionality may be compromised.

6 Microphone

The microphone circuitry is the more noise sensitive and its design and layout must be done with particular care.

6.1 Microphone line Characteristic and requirements

The Telit GE863-QUAD provides two audio paths for the microphone and the earpiece: the internal and the external audio paths. Only one of the two paths can be active at a time and it is selectable by hardware line AXE or by AT command. The audio characteristics of the two paths are slightly different and this should be kept in mind when designing. The internal audio path should be used for handset function, while the external audio path is suited for hands free function (car kit).

Both microphone paths from the Telit GE863-QUAD are balanced and the OEM circuitry should be designed balanced to reduce the common mode noise typically generated on the ground plane, however for particular OEM application needs also an unbalanced circuitry can be used.

The microphone input lines characteristics are:

internal microphone path

- **line coupling:** AC (100nF cond.)
- **line type:** balanced
- **differential input resistance:** 25k Ω
- **line nominal sensitivity:** 50 mV_{rms}
- **max input voltage:** 360 mV_{rms}
- **microphone nominal sensitivity/analog gain suggested:** -45 dB_{V_{rms}/Pa} / +24dB
- **echo canceller type:** handset

external microphone path

- **line coupling:** AC (100nF cond.)
- **line type:** balanced
- **differential input resistance:** 25k Ω
- **line nominal sensitivity:** 3 mV_{rms}
- **max input voltage:** 22 mV_{rms}
- **microphone nominal sensitivity/analog gain suggested:** -45 dB_{V_{rms}/Pa} / +10dB
- **echo canceller type:** car kit hands free



TIP: Due to the difference in the echo canceller type, the internal audio path is suited for handset applications while the external audio path is suited for car kit hands free. The headset applications should be made by using the external audio path but **DISABLING** the echo canceller by software AT command. If the echo canceller is left active with the headset, then some echo might be introduced by the echo cancel algorithm.

The nominal sensitivity of the line indicates the voltage level on the GE863-QUAD pads that should be present during "normal spoken" conditions: for a handset a voice signal coming from the mouth of the talker at 7 cm of distance from the microphone, producing an acoustic pressure of -4,7 dB_{Pa} (@ 1 kHz) on the microphone membrane.

For example:

With the internal mic. having the suggested nominal sensitivity -45dB_{V_{rms}/Pa} at the "normal spoken" conditions: -4.7dB_{Pa} on the microphone membrane.

At that acoustic pressure the voltage output from the microphone is:

$$\text{Voltage Output (dB)} = (-45) + (-4.7) = -49.7 \text{ dB}_{V_{rms}}$$

corresponding to:

$$\text{Voltage Output} = 10^{(-49.7/20)} = 3.3 * 10^{-3} V_{rms}$$

by having the microphone gain set to +24 dB (corresponding to 15.8 times) the signal in the nominal conditions on the input mic. pads of the GE863-QUAD will be:

$$\text{Voltage @ GE863-QUAD_mic} = 3.3 * 10^{-3} * 15.8 = 51 \text{ mV}_{rms}$$

During the spoken conditions the signal varies according to the volume of the voice of the talker, usually a rough thumb rule for the dynamic range may be considered:

- * +20dB (10 times) at maximum voice level (talker screaming)
- * -50 dB (1/300 times) at minimum voice level (talker whispering).

For the handsfree/car kit microphone the voice attenuation due to the distance between the microphone and the talker must be taken into account when designing the microphone amplifier.

For a car cabin usually the distance between the talker and the mic. is about 50cm; in these conditions the attenuation can be considered as a thumb rule around 20dB.

Another thing to consider, especially for cabin car use, is the fact that the external mic. will pick up also ambient noise; to overcome this problem it is preferable to set the gain of the microphone

10dB lower with respect to the calculated value for a nominal sensitivity. The corresponding reduction in signal level will be compensated by an increased voice volume of the talker which will speak louder because of the ambient noise.

For the headset we shall distinguish two different types: the headsets having the microphone sustained close to the mouth and the headsets having the microphone on the earpiece cable.

The same considerations for the additional voice attenuation due to the distance from the microphone and the noise pick up can be made for the headset having the microphone on the earpiece cable, while the other kind of headset shall be threaten as an handset.

For example:

With the external mic. having the suggested nominal sensitivity $-45dB_{V_{rms}/Pa}$

at the "normal spoken" conditions: $-4.7dB_{Pa}$ at 7 cm from the mouth of the talker and with a further attenuation of 20dB due to the distance from the microphone (about 50 cm).

At that acoustic pressure the voltage output from the microphone is:

$$\text{Voltage Output (dB)} = (-45) + (-4.7) - 20 = -69.7 \text{ dB}_{V_{rms}}$$

corresponding to:

$$\text{Voltage Output} = 10^{(-69.7/20)} = 3.3 * 10^{-4} V_{rms}$$

by having the microphone gain set to +10 dB (corresponding to 3 times) the signal in the nominal conditions on the input external mic. pads of the GE863-QUAD will be:

$$\text{Voltage @ GE863-QUAD}_{_extmic} = 3.3 * 10^{-4} * 3 = 1 \text{ mV}_{rms}$$

Hence in these conditions the signal level on the input pads of the external mic. of the GE863-QUAD is 10 dB (3 times) lower than the nominal, as suggested.

The microphones usually need a biasing network that provides the necessary DC current to the mic., this will be explained further on.

In the EVK all the microphone input jacks have the hot wire connected to the central pole.

6.2 General Design Rules

There are several configurations for the audio path, but the most effective difference is between balanced and unbalanced microphone.

It is highly recommended to keep the whole microphone path balanced even if this means having 2 wires connecting the microphone instead of one needed (plus ground) in the unbalanced case. The balanced circuitry is more suited because of its good common mode noise rejection, reducing the 216 Hz burst noise produced during the GSM transmissions.

- Where possible use balanced microphone circuitry
- Keep the microphone traces on the PCB and wires as short as possible.
- If your application requires an unbalanced microphone, then keep the lines on the PCB balanced and "unbalance" the path close to the microphone wire connector if possible.
- For the microphone biasing voltage use a dedicated voltage regulator and a capacitor multiply circuit.
- Make sure that the microphone traces in the PCB don't cross or run parallel to noisy traces (especially the power line)
- If possible put all around to the microphone lines a ground trace connected to the ground plane by several vias. This is done in order to simulate a shielded trace on the PCB.
- The biasing circuit and eventually the buffer can be designed in the same manner for the internal and external microphones.

6.3 Microphone Biasing

The electret microphones usually need a biasing voltage to work properly. Refer to your microphone provider for the characteristics required.

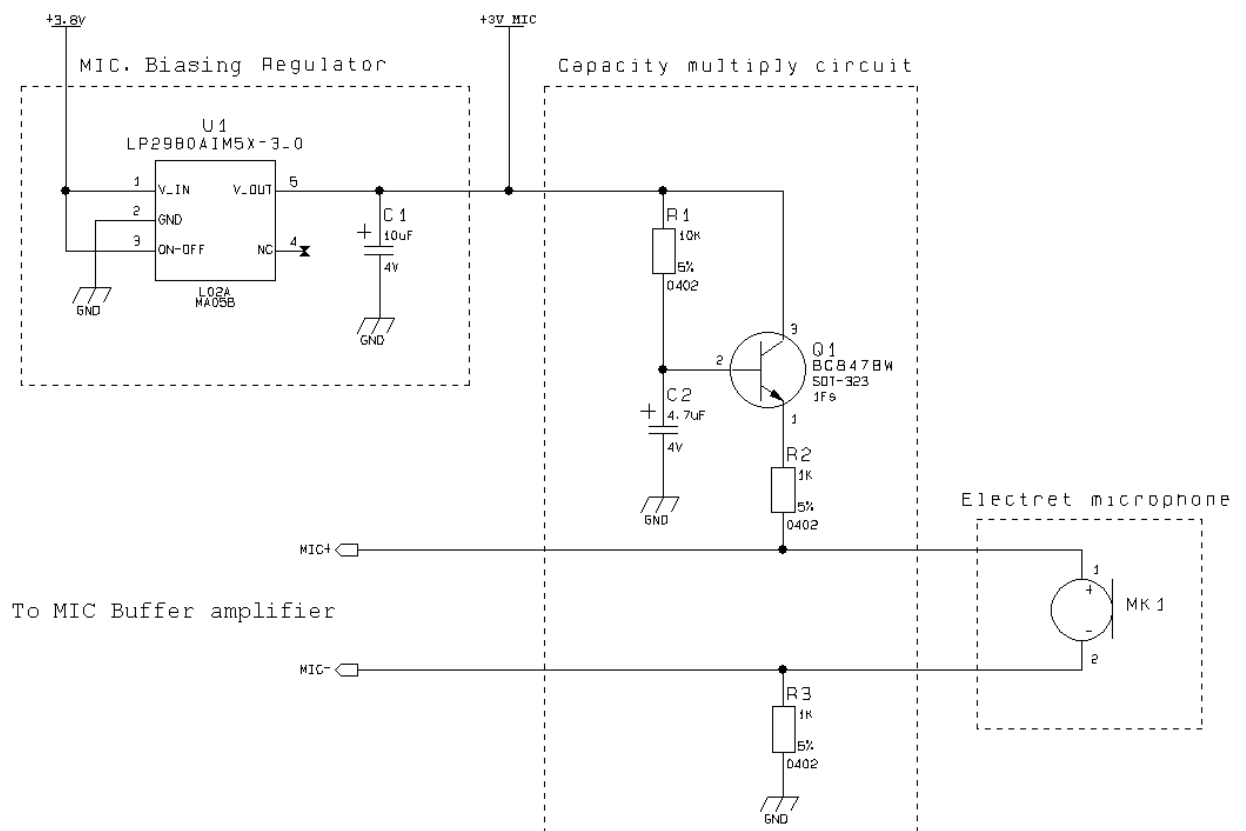


NOTE: The microphones have a hot wire were the positive biasing must be connected, usually it is indicated by a + sign or a red point. If the polarity of the bias is reversed, then the microphone will not work properly. For this reason be sure to respect the mic. biasing polarity.

6.3.1 Balanced Microphone biasing

The balanced microphone bias voltage should be obtained from a dedicated voltage regulator, in order to eliminate the noise present on the power lines. This regulator can be the same for all the audio paths. The microphone should be supplied from a capacitor multiply circuit.

For example a circuit for the balanced microphone biasing can be:



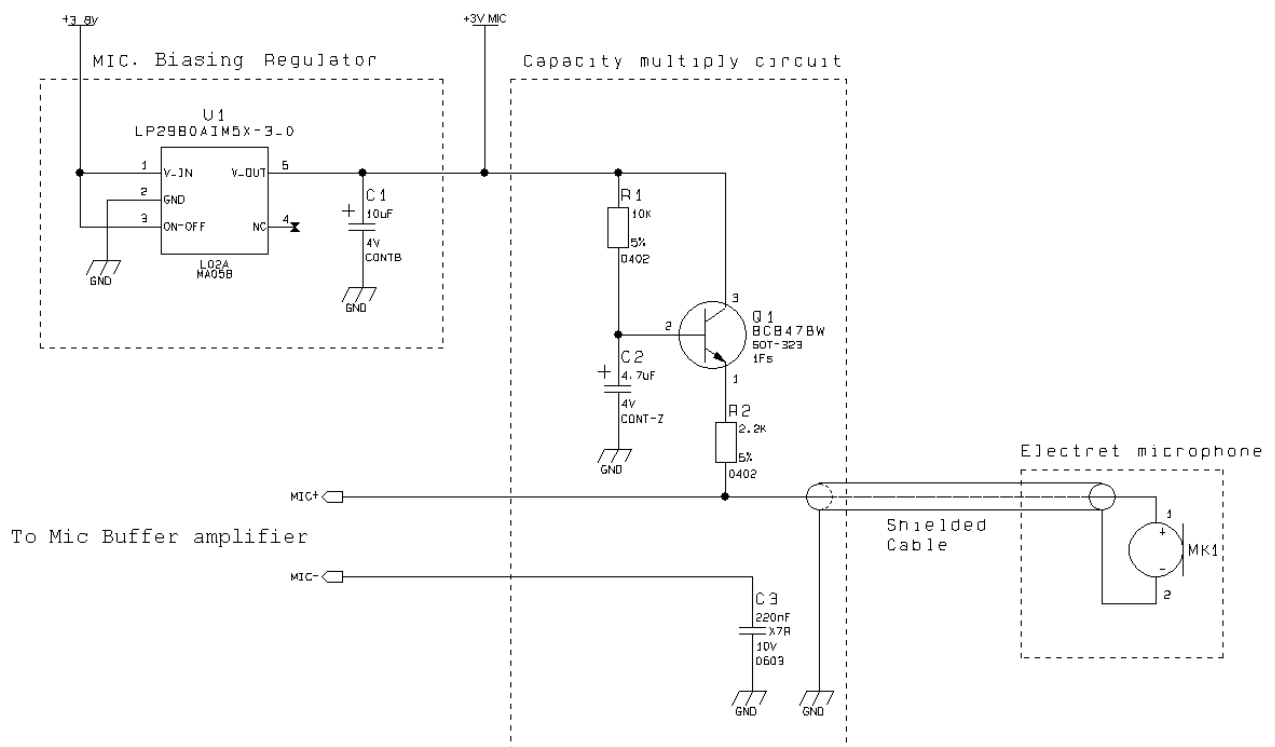
NOTE: In the balanced application the resistors R2 and R3 must have the same value to keep the circuit balanced.

NOTE: The cable to the microphone should not be shielded, instead a twisted pair cable shall be used.

NOTE: The microphone sensitivity changes with the value of R2 and R3. Usually the microphones are characterized with 2kΩ biasing resistance, so try to keep the sum of R2 and R3 around 2kΩ. Refer to your microphone manufacturer for the mic. characteristics.

6.3.2 Unbalanced Microphone biasing

The unbalanced microphone biasing voltage should be obtained from a dedicated voltage regulator, in order to eliminate the noise present on the power lines. This regulator can be the same for all the audio paths. The microphone should be supplied from a capacitor multiply circuit.



For example a circuit for the unbalanced microphone biasing can be:

NOTE: In the unbalanced application the capacitor C3 shall be > 200nF otherwise the frequency response will be cut at low band frequencies (down to 300Hz). This capacitor can be placed close to the MIC- pad (EXT_MIC- or INT_MIC- depending on the audio path chosen) or if possible it should be placed close to the shielded cable connector. If the ground return path is well designed, then it is possible to eliminate the C3 capacitor, provided the buffer is close to the mic. input.

NOTE: The cable to the microphone should be shielded.

NOTE: The microphone sensitivity changes with the value of R2. Usually the microphones are characterized with 2kΩ biasing resistance, so try to keep the value of R2 around 2kΩ. For mic. characteristics refer to the manufacturer.

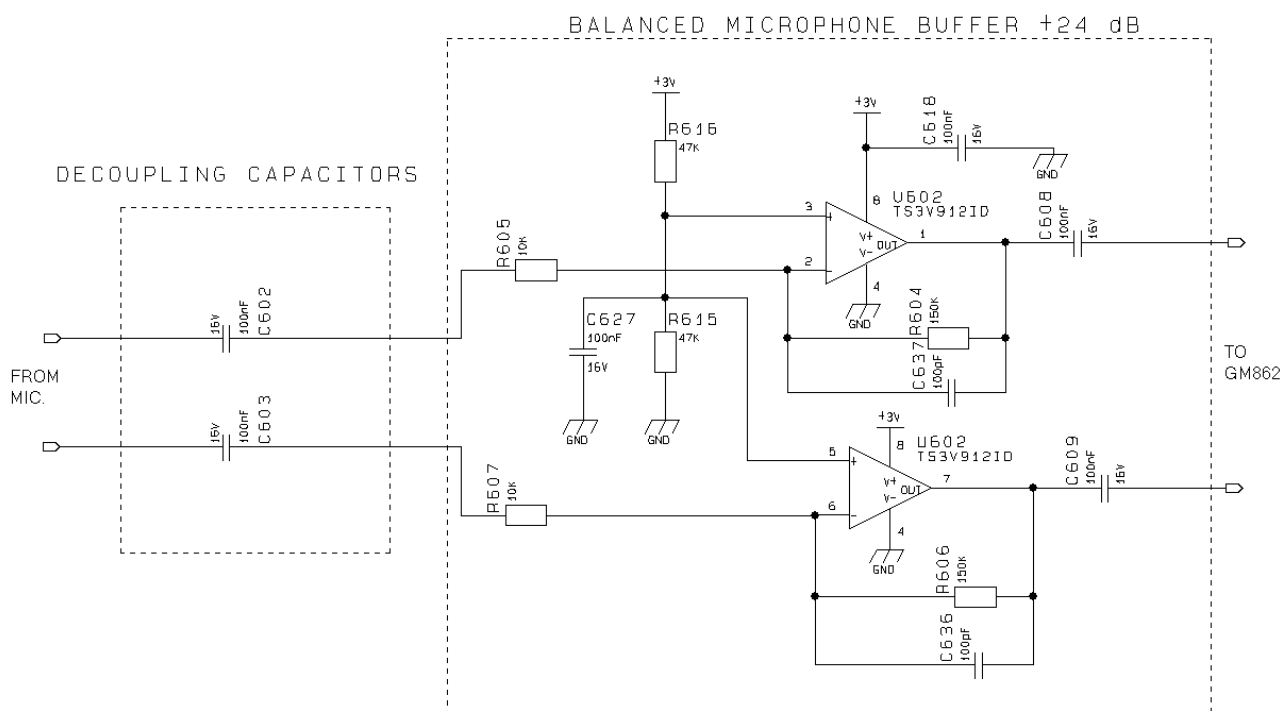
6.4 Microphone buffering

As seen previously, a microphone shall be connected to the input pads of the GE863-QUAD through a buffer amplifier that boosts the signal level to the required value.

Again the buffered microphone circuitry can be balanced or unbalanced. Where possible it is always preferable a balanced mic. solution. The buffering circuit shall be placed close to the microphone or close to the microphone wire connector.

6.4.1 Buffered Balanced Mic.

A sample circuit can be:



This circuit has a gain of 15 times (+24 dB), and is therefore suited for the internal mic. input, having a microphone with a sensitivity close to the suggested one (-45 dB_{V_{rms}/Pa}), if the used microphone has a different sensitivity, or if the buffer is connected to the external mic. input, then a gain adjustment shall be done by changing resistors R604-R605 and R606-R607 and as a consequence the capacitors C636 and C637 to maintain the bandwidth 150-8000 (-3dB).

The buffer gain is given by the formula:

$$Gain = \frac{R604}{R605} = \frac{R606}{R607}$$

The C636 and C637 capacitors are placed in order to cut off the gain at higher frequencies than the transmitted GSM band, the cutoff frequency (-3dB) should be 8 kHz in order to have -1dB at 4kHz.

The cutoff frequency is given by the formula:

$$freq. = \frac{1}{2\pi * R604 * C637} = \frac{1}{2\pi * R606 * C636} \text{ [Hz]}$$

For example:

- Let's assume you have a microphone with these characteristics:

- sensitivity -45 dB_{V_{rms}/Pa}

and you want to use it in the internal mic. audio path.

With the mic. having nominal sensitivity -45dB_{V_{rms}/Pa} at the "normal spoken" conditions: - 4.7dB_{Pa} at 7 cm from the mouth of the talker.

At that acoustic pressure the voltage output from the microphone is:

$$\text{Mic Voltage Output (dB)} = (-45) + (-4.7) = -49.7 \text{ dB}_{V_{rms}}$$

corresponding to:

$$\text{Mic_Voltage_Output} = 10^{(-49.7/20)} = 3.3 * 10^{-3} V_{rms}$$

in order to have a signal of 50 mV_{rms} on the GE863-QUAD internal mic. inputs then the buffer must have a gain of:

$$\text{Voltage @ GE863-QUAD_intmic/Mic_Voltage_Output} = (50 * 10^{-3}) / (3.3 * 10^{-3}) = 15$$

Hence in these conditions the signal level on the input pads of the internal mic. of the GE863-QUAD is 24 dB (15 times) higher than the microphone output and therefore the buffer has to gain 24 dB.

The corresponding values for the resistors on the buffer could be (if we keep the input resistance 10kΩ)

$$R604 = R606 = \text{gain} * R603 = \text{gain} * R605 = 15 * 10 = 150 \text{ k}\Omega$$

The commercial values of 150kΩ & 10kΩ are then chosen.

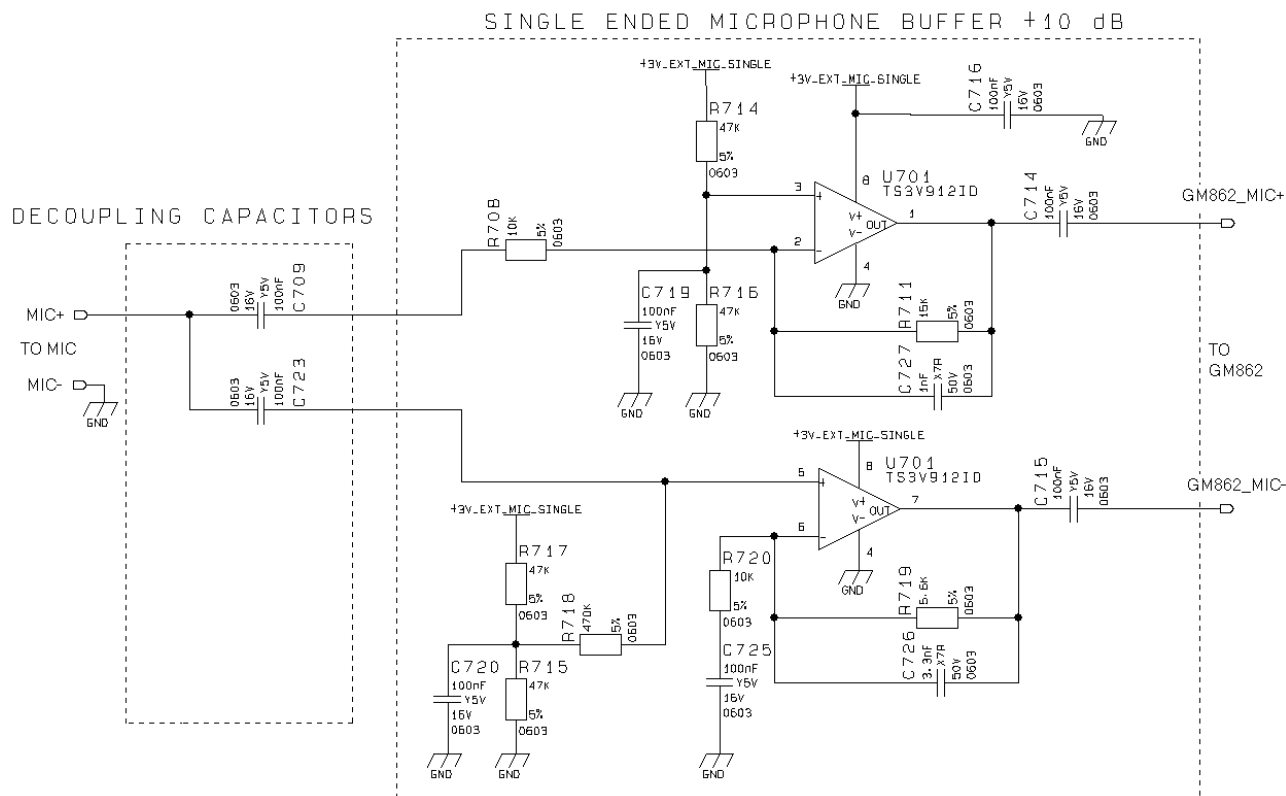
As a consequence the values of the capacitors C636 and C637 shall be:

$$C636=C637= 1 / (2\pi * 8000 * R606) = 132 * 10^{-12} \text{ F}$$

A commercial value of 100pF is then chosen.

6.4.2 Buffered Unbalanced (Single Ended) Mic.

A sample schematic for a buffered unbalanced (single ended) microphone can be:



The schematic does not include the required mic. biasing circuitry. For the biasing the same circuit as seen before can be used; to be noticed that the capacitor C3 on the unbalanced biasing circuit is not anymore needed if this Buffered design is used.

Two different configurations are used, one inverting and the other not inverting, hence an additional +6dB (2 times) gain is achieved by doubling the mic. signal path.

The gain of the not inverting buffer is given by the formula:

$$Gain = 1 + \frac{R719}{R720}$$

and hence it cannot be less than 1. In the example shown the gain of the not inverting buffer is 1,5 (4dB).

While the gain of the inverting buffer is given by the formula:

$$Gain = \frac{R711}{R708}$$

As shown in the balanced buffered mic. the gain adjustments can be done by changing R719 - R720 and R708 - R711 and as a consequence the capacitors C726 and C727.

The bandwidth (-3dB) is given by the approximated formula (considering $C725 \gg C726$) :

$$freq. = \frac{1}{2\pi * R719 * C726} = \frac{1}{2\pi * R711 * C727} \text{ [Hz]}$$

The buffer bandwidth at -3dB shall be 8kHz.

Note that the biasing of the operational amplifier is given for the inverting amplifier by the series divider R714-R715. The 100nF capacitor C719 is needed to filter the noise that could be coupled to that divider. For the not inverting operational the biasing is given by a different divider R715-R717 with the capacitor C720 and through a series resistor R718 of 470KΩ.

For example:

- Let's assume you have a microphone with these characteristics:

- sensitivity -45 dB_{V_{rms}/Pa}

and you want to use it in the external mic. audio path.

With the mic. having nominal sensitivity -45dB_{V_{rms}/Pa} at the "normal spoken" conditions: -4.7dB_{Pa} but at 50 cm from the mouth of the talker an additional 20 dB loss shall be considered.

At that acoustic pressure the voltage output from the microphone is:

$$\text{Mic Voltage Output (dB)} = (-45) + (-4.7) - 20 = -69.7 \text{ dB}_{V_{rms}}$$

corresponding to:

$$\text{Mic_Voltage_Output} = 10^{(-69.7/20)} = 3.3 * 10^{-4} V_{rms}$$

in order to have a signal of 1 mV_{rms} (10 dB lower than the nominal input for the GE863-QUAD external mic. path) on the GE863-QUAD internal mic. inputs then the buffer must have a gain of:

$$\text{Voltage @ GE863-QUAD_intmic / Mic_Voltage_Output} = (1 * 10^{-3}) / (3.3 * 10^{-4}) = 3$$

Hence in these conditions the signal level on the input pads of the internal mic. of the GE863-QUAD is 10 dB (3 times) higher than the microphone output and therefore the buffer has to gain 10 dB.

To calculate the resistor values it must be kept in mind that balancing the line will double the signal and hence already add +6 dB, therefore the buffer must gain only 1.5 times.

The corresponding values for the resistors on the buffer could be (if we keep the input resistance 10kΩ)

$$R711 = \text{gain} * R708 = 1.5 * 10 = 15 \text{ k}\Omega$$

$$R719 = (\text{gain} - 1) * R720 = (1.5 - 1) * 10 = 5 \text{ k}\Omega$$

The commercial values of 15k Ω & 5.6k Ω are then chosen.

As a consequence the values of the capacitors C726 and C727 shall be:

$$C726 = 1 / (2\pi * 8000 * R719) = 3.5 * 10^{-9} \text{ F}$$

$$C727 = 1 / (2\pi * 8000 * R711) = 1,2 * 10^{-9} \text{ F}$$

The commercial values of 3.3nF and 1nF are then chosen.

7 Speaker

7.1 Speaker lines characteristics and requirements

The Telit GE863-QUAD provides two audio paths for both the microphone and the earpiece: the internal and the external audio paths. Only one of the two paths can be active at a time and it is selectable by hardware line AXE or by AT command. The audio characteristics of the two paths are slightly different and this should be kept in mind when designing your application. The internal audio path should be used for handset function, while the external audio path is suited for hands free function (car kit).

Both speaker outputs from the Telit GE863-QUAD are bridged type and the OEM circuitry shall be designed bridged to reduce the common mode noise typically generated on the ground plane and to get the maximum power output from the device; however for particular OEM application needs also a single ended circuitry can be designed.

The GE863-QUAD speaker output lines characteristics are:

internal speaker path (EAR_MT+ , EAR_MT-)

- | | |
|--|---|
| • line coupling: | DC |
| • line type: | bridged |
| • speaker impedance (operating conditions): | $\geq 16 \Omega \pm 5\%$ @ 1kHz |
| • minimum load impedance: | 15 Ω |
| • signal bandwidth: | 150 - 8000 Hz @ -3 dB |
| • maximum differential output: | 850 mV_{rms} |
| • rated output power: | 10 mW |
| • maximum power output: | 30 mW |
| • volume level steps (SW): | - 2 dB |
| • number of volume steps(SW): | 10 |

external speaker path (EAR_HF+ , EAR_HF-)

• line coupling:	DC
• line type:	bridged
• speaker impedance (operating conditions):	$\geq 16 \Omega \pm 15\% @ 1\text{kHz}$
• minimum load impedance:	15 Ω
• signal bandwidth:	150 - 8000 Hz @ -3 dB
• maximum differential output:	425 mV _{rms}
• rated output power:	2.5 mW
• maximum power output:	7.5 mW
• volume level steps (SW):	- 2 dB
• number of volume steps (SW):	10

The EVK v.1.2 audio output characteristics are:

internal/external ear single ended

• line coupling:	AC
• line type:	single ended referred to GND
• speaker impedance (operating conditions):	$\geq 8 \Omega$
• minimum load impedance:	8 Ω
• signal bandwidth:	150 - 8000 Hz @ -3 dB
• maximum output:	800 mV _{rms}
• maximum power output:	80 mW @ 8 Ω
• THD+N	1% @ 80mW

internal/external ear bridged

• line coupling:	DC
• line type:	bridged not referred to GND
• speaker impedance (operating conditions):	$\geq 8 \Omega$
• minimum load impedance:	8 Ω
• signal bandwidth:	150 - 8000 Hz @ -3 dB
• maximum output:	1.6 V _{rms}
• maximum power output:	320 mW @ 8 Ω
• THD+N	1% @ 330mW

high power external ear

- | | |
|--|------------------------------------|
| • line coupling: | DC |
| • line type: | bridged not referred to GND |
| • speaker impedance (operating conditions): | $\geq 4 \Omega$ |
| • minimum load impedance: | 4Ω |
| • signal bandwidth: | 150 - 8000 Hz @ -3 dB |
| • maximum power output: | 6 W |
| • THD+N | 10% @ 6 W |

7.2 General Design rules

There are several configurations for the audio output path, but the various design requirements can be grouped into three different categories:

- handset earphone (low power, typically a handset)
- hands free earphone (low power, typically a headset)
- car kit speakerphone (high power, typically a speaker)

The three groups have different power requirements, usually the first two applications need only few mW of power, which can be directly drained from the GE863-QUAD pads, provided a suited speaker is used. This direct connect design is the cheaper and simpler solution and will be suited for the most of the earphone design requirements. There's no need to decouple the output ear lines if a suited earpiece is connected. For the last group, the speakerphone, a power amplifier is required to raise the output power up to 5-10W required in a car cabin application.

All the designs shall comply with the following guidelines:

- Where possible use a bridged earphone circuitry, to achieve the maximum power output from the device.
- Keep the earphone traces on the PCB and wires as short as possible.
- If your application requires a single ended earpiece and you want a direct connection, then leave one of the two output lines open and use only the other referred to ground. Remember that in this case the power output is 4 times lower than the bridged circuit and may not be enough to ensure a good voice volume.
- Make sure that the earphone traces in the PCB don't cross or run parallel to noisy traces (especially the power line)
- The cable to the speaker shall be a twisted pair with both the lines floating for the bridged output type, shielded with the shield to ground for the single ended output type.

7.2.1 Noise Filtering

The I/O of the PCB should have a noise filter close to the connector, to filter the high frequency GSM noise. The filter can be a Π of 2 capacitor and a inductance, with the one capacitor of 39pF - 0603 case , and the other capacitor of 1nF - 0603; the inductance shall have a value of 39 μ H .

7.3 Handset earphone design

As seen previously, a 16 Ω speaker can be directly connected to the output pads EAR_MT+ and EAR_MT- of the GE863-QUAD.

This solution is often the more cost effective, reducing the components count to a minimum. There are several limitations to the use of this solution: speaker direct connect imposes the speaker characteristics to be almost exactly the suggested ones, otherwise the power output may be reduced (if speaker impedance is bigger than 16 Ω) or the GE863-QUAD ear port may be damaged (if speaker impedance is less than 15 Ω).

The other limitation of the speaker direct connection is the power output capability of the GE863-QUAD which is limited and for some particular applications may not be enough.

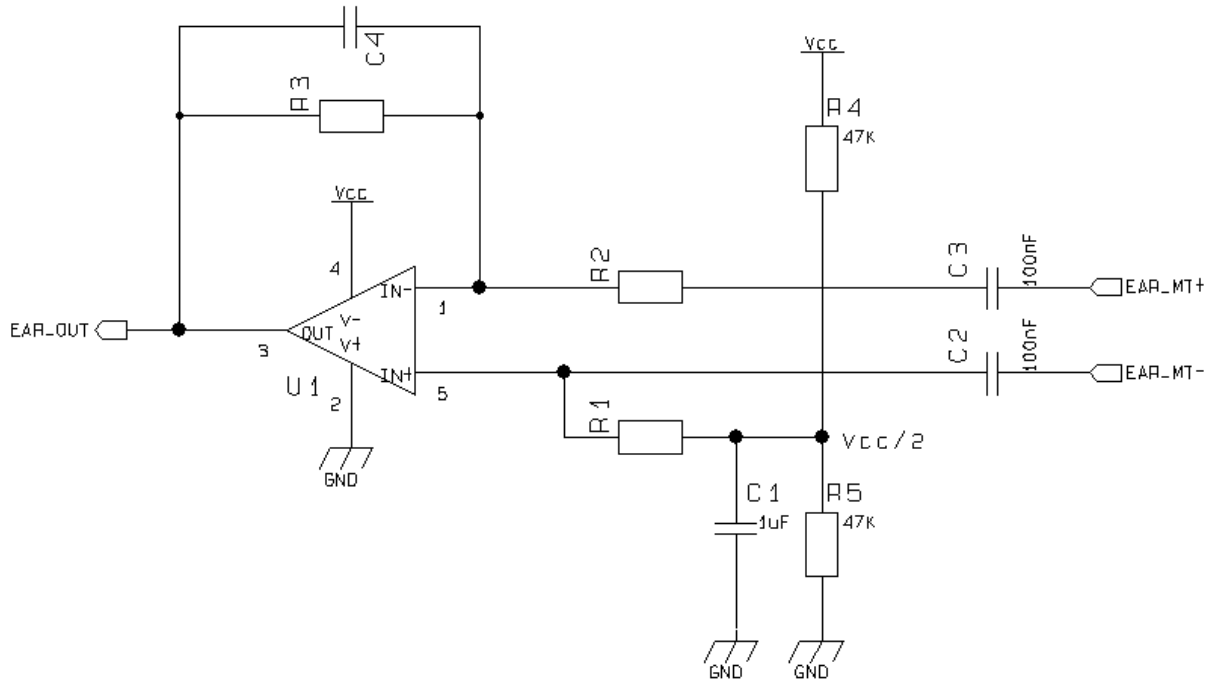
For these reasons, when the power output of the GE863-QUAD is not enough or if the speaker characteristics are different from the suggested, then it is preferable to use an amplifier to increase the power and current output capabilities.

Again the output from the GE863-QUAD is bridged and both lines should be used, where possible, as inputs to the power amplifier. This ensures a higher common mode rejection ratio, reducing the GSM current busts noise on the speaker output.

In this case the EAR_MT lines from the GE863-QUAD should be AC coupled with a capacitor of 100nF.

It is always desirable to have a mute control on the amplifier, in order to turn it off while the device is not sending signal to the output, in this manner the amplifier background noise which may be audible during idle conditions is cut off.

A principle schematic may be:

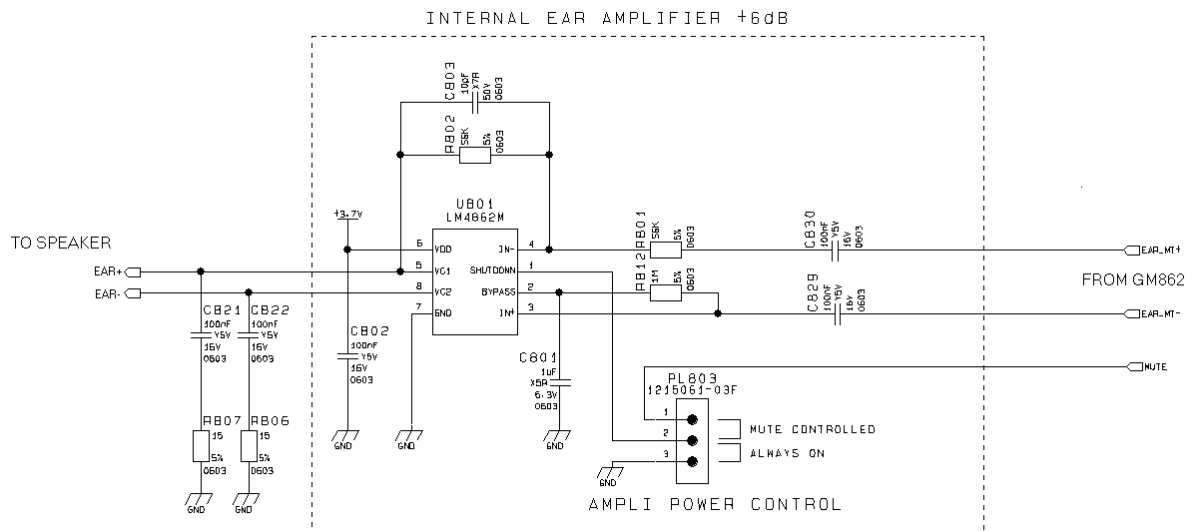


The resulting gain and high pass cut can be obtained with the formula:

$$Gain = \frac{R3}{R2}$$

$$freq. = \frac{1}{2\pi * R3 * C4} [Hz]$$

And an example of internal Ear amplifier is:



Some amplifier require a low impedance load at high frequency in order to avoid auto oscillation, this can be made with a capacitor (100nF) in series with a resistor (15Ω).

When designing your application, remember to provide an adequate bypass capacitor to the amplifier and place it close to the power input pin of the IC, keeping the traces as short as possible.

7.4 Hands Free earphone (low power) design

The same design considerations made for the handset are valid for the hands free earphone, the only difference is that the external ear audio output level from the GE863-QUAD is 6dB lower than the internal one, so the gain of the amplifier must be 6dB higher to provide the same audio level.

7.5 Car Kit speakerphone design

For the car kit speaker phone function the power output requirement is usually at least 4W, therefore an amplifier is needed to boost the GE863-QUAD output.

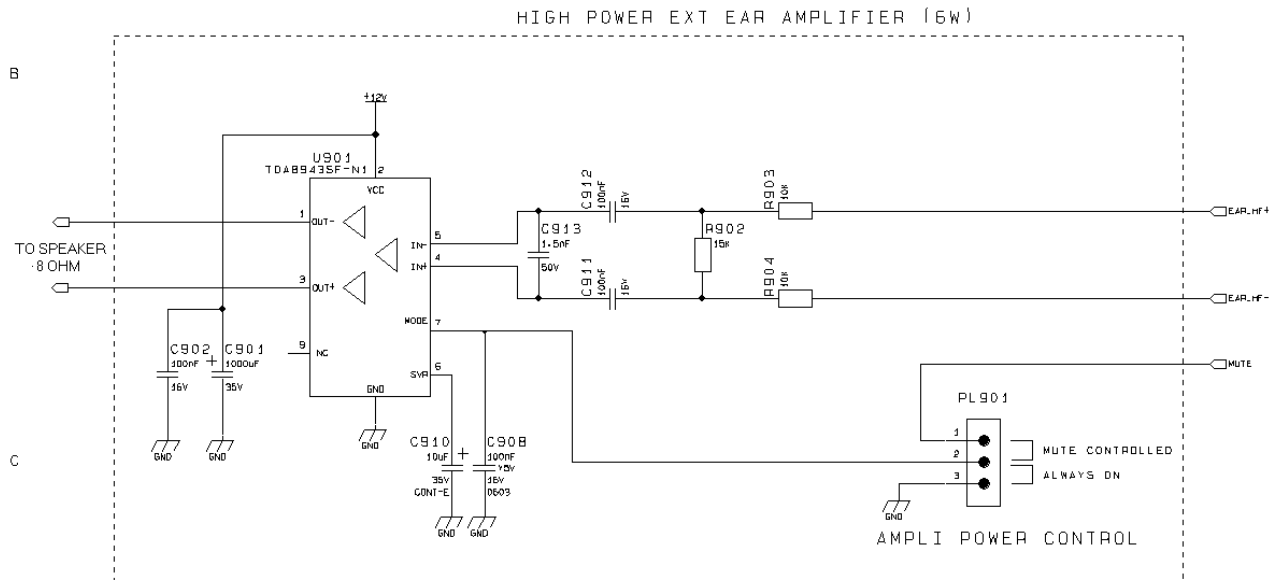
The design of the amplifier shall comply with the following guidelines:

- The input to the amplifier **MUST** be taken from the external audio path (EAR_HF+, EAR_HF-) of the GE863-QUAD, because of its echo canceller parameters suited to a car cabin use.
- The amplifier shall have a gain of 30-40 times (29-32 dB) to provide the desired output power of 5-10W with the signal from the GE863-QUAD external audio output lines (EAR_HF).
- If the amplifier has a fixed gain then it can be adjusted to the desired value by reducing the input signal with a resistor divider network.
- The amplifier shall have a mute control to be used while not in conversation. This results in two benefits: eliminating the background noise when not in conversation and saving power.
- The power to the amplifier should be decoupled as much as possible from the GE863-QUAD power supply, by either keeping separate wires and placing bypass capacitors of adequate value close to the amplifier power input pads.
- The biasing voltage of the amplifier shall be stabilised with a low ESR (e.g. a tantalum) capacitor of adequate value.



NOTE: The GE863-QUAD audio path connected to the car kit hands free amplifier **MUST** be the external one (EAR_HF), otherwise the echo cancellation will not be done due to the difference in the echo canceller characteristics of the GE863-QUAD internal audio path from the external audio path.

An example of car kit amplifier schematic can be:



8 General Purpose I/O

The general purpose I/O pads can be configured to act in three different ways:

- input
- output
- alternate function (internally controlled)

Input pads can only be read and report the digital value (high or low) present on the pad at the read time; output pads can only be written or queried and set the value of the pad output; an alternate function pad is internally controlled by the GE863-QUAD firmware and acts depending on the function implemented.

Not all GPIO pads support all these three modes:

- GPIO5 supports all three modes and can be input, output, RFTX monitor output (Alternate function)
- GPIO6 supports all three modes and can be input, output, alarm output (Alternate function)
- GPIO7 supports all three modes and can be input, output, buzzer output (Alternate function)

All GPIO pads are 2.8V CMOS signals and their interface levels are the same specified in the paragraph 4 .

8.1 Using a GPIO pad as INPUT

The GPIO pads, when used as inputs, can be connected to a digital output of another device and report its status, provided this device has interface levels compatible with the 2.8V CMOS levels of the GPIO.

If the digital output of the device to be connected with the GPIO input pad has interface levels different from the 2.8V CMOS, then it can be connected to GPIO1 or can be buffered with an open collector transistor, provided a 47K Ω pull-up resistor is connected as seen in the paragraph 5.2 5V UART level translation.

8.2 Using a GPIO pad as OUTPUT

The GPIO pads, when used as outputs, can drive 2.8V CMOS digital devices or compatible hardware. When set as outputs, the pads have a push-pull output and therefore the pull-up resistor may be omitted.

8.3 Using the Alarm Output GPIO6

The GPIO6 pad, when configured as Alarm Output, is controlled by the GE863-QUAD module and will rise when the alarm starts and fall after the issue of a dedicated AT command.

This output can be used to power up the GE863-QUAD controlling microcontroller or application at the alarm time, giving you the possibility to program a timely system wake-up to achieve some periodic actions and completely turn off either the application and the GE863-QUAD during sleep periods, dramatically reducing the sleep consumption to few μA .

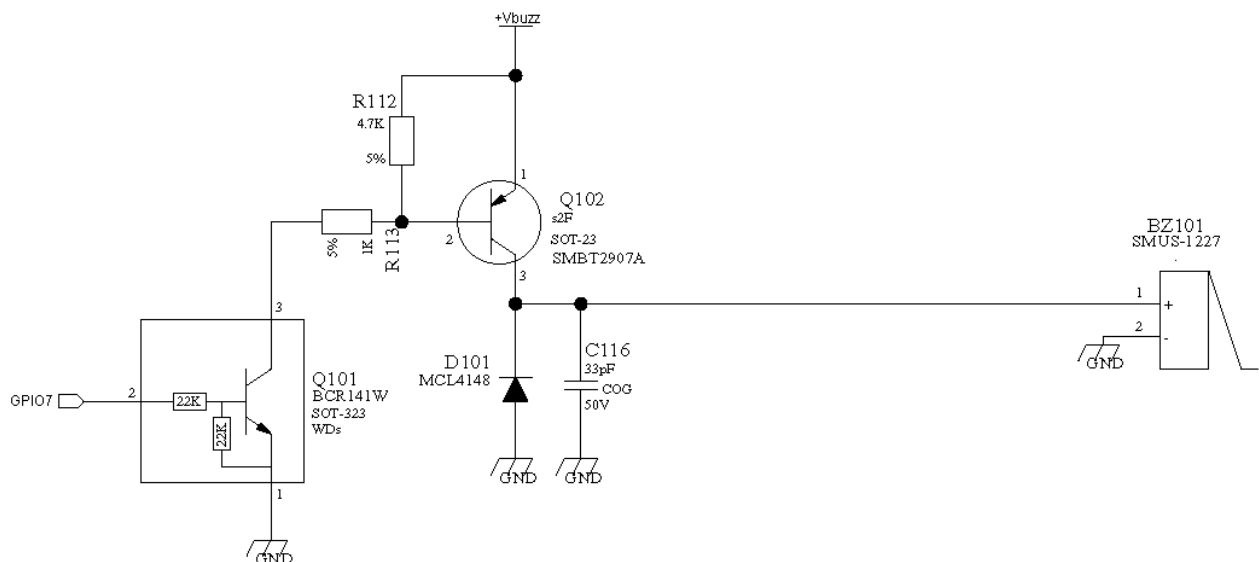
In battery powered devices this feature will greatly improve the autonomy of the device.

8.4 Using the Buzzer Output GPIO7

The GPIO7 pad, when configured as Buzzer Output, is controlled by the GE863-QUAD module and will drive with appropriate square waves a Buzzer driver.

This permits to your application to easily implement Buzzer feature with ringing tones or melody played at the call incoming, tone playing on SMS incoming or simply playing a tone or melody when needed by your application.

A sample interface scheme is included below to give you an idea of how to interface a Buzzer to the GPIO7:



NOTE: To correctly drive a buzzer a driver must be provided, its characteristics depend on the Buzzer and for them refer to your buzzer vendor.

9 Camera

9.1 Agilent Camera

The GE863-QUAD provides a direct support for digital cameras with the following characteristics:

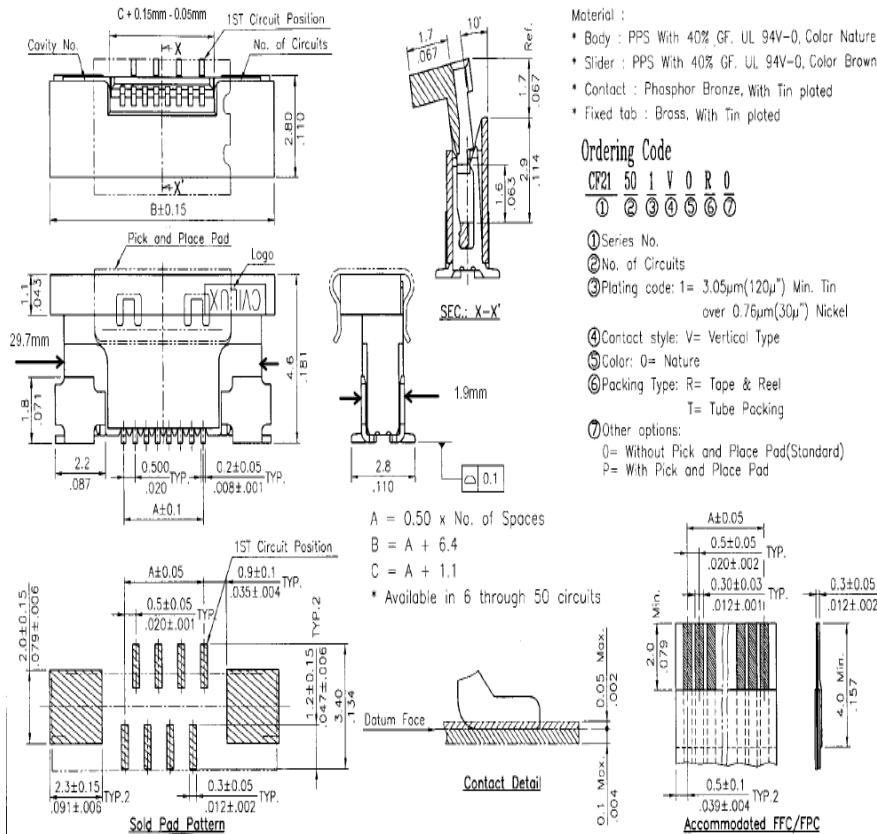
Type:	AGILENT ADCM2650
Technology:	CMOS COLOR camera
Max picture size:	VGA 640x480 pixels
Output format:	JPEG
Sensitivity:	5 lux

9.1.1 Camera interface connectors

The interface connection between GE863-QUAD and camera is provided by the 18-pads ZIF connector vertical type for the CMOS camera.

GE863-QUAD			ZIF CF21181V0RP			
Pad	Signal	I/O	Function	Pad	Signal	I/O
52	CAM_SYNC	I	End of frame is an output for the camera and an input for the GE863-QUAD.	16	EOF	O
7	MON1_CAM	O	The module clock is provided by the MON1_CAM output of the GE863-QUAD.	17	MCLK	I
33	IIC_SCL GPIO2	O	IICbus serial clock	4	S_CLK	I
6	PD0	I/O	Parallel Data 0	15	DATA0	I/O
5	PD1	I/O	Parallel Data 1	14	DATA1	I/O
4	PD2	I/O	Parallel Data 2	13	DATA2	I/O
3	PD3	I/O	Parallel Data 3	12	DATA3	I/O
2	PD4	I/O	Parallel Data 4	11	DATA4	I/O
1	PD5	I/O	Parallel Data 5	10	DATA5	I/O
55	PD6	I/O	Parallel Data 6	9	DATA6	I/O
54	PD7	I/O	Parallel Data 7	8	DATA7	I/O

32	IICSDA GPIO4	I/O	IICbus serial data	3	S_DATA	I/O
53	CAM_DRDY GPIO5	I	Data ready in an output for the camera and an input for the GE863-QUAD	7	DR	O
31	VOUT	O	power supply for the camera	2	VCC_MAIN	I
-	-	-	Horizontal sync n.c.	6	HSYNC	O
51	OE_CAM GPIO7	O	Input command for switching power ON or OFF	5	ON_OFF	I
56-	GND		Ground	1-18	GND	
..						



NOTE: The CMOS camera must be removed when the GPIO pads are used for I/O purpose.



NOTE: The white point on the ADCM2650 camera cable have to match with pad18 on ZIF connector.

9.2 Transchip Camera

The GE863-QUAD provides a direct support for Transchip digital cameras with the following characteristics:

Type:	TRANSCHIP TC5747
Technology:	CMOS COLOR camera
Max picture size:	VGA 480x640 pixels landscape
Output format:	JPEG
Sensitivity:	4 Lux

9.2.1 Camera interface connectors

The ballout of the module and a 24 pins ZIF connector for the CMOS camera provide the interface connection between GE863-QUAD and Transchip camera.

GE863-QUAD signal				TC5747MF24L		
Pin	Signal	I/O	Notes	Pin	Signal	I/O
55	GPIO3	O	I2C bus serial clock	1	SCLK	I
8-17...	GND		Ground	2	AGND	I
31	VAUX	O	Power Supply	3	AVDD28*	I
5	GPIO9	O	Camera Reset	4	RESET_N	I
7	MON1_CAM	O	Clock	5	CLK_IN**	I
8-17...	GND		Ground	6	DGND	I
	n.c		n.c.	7	DOUT_0	I/O
	n.c		n.c.	8	DOUT_1	I/O
	n.c		n.c.	9	DOUT_2	I/O
	n.c		n.c.	10	DOUT_3	I/O
	n.c		n.c.	11	DOUT_4	I/O
	n.c		n.c.	12	DOUT_5	I/O
	n.c		n.c.	13	DOUT_6	I/O
	n.c		n.c.	14	DOUT_7	I/O
	n.c		n.c.	15	DOUT_8	I/O
	n.c		n.c.	16	VCLKOUT	O
	n.c		n.c.	17	VALIDH	O
	n.c		n.c.	18	VALIDV	O

31	VAUX	O	Power Supply	19	DVDD28	I
32	GPIO4	I/O	I2C bus serial data	20	SDIN	I/O
8-17..	GND		Ground	21	PS1	I
6	GPIO8	O	Camera power type selector	22	PS2	I
8-17...	GND		Ground	23	SHIELD	-
			Flash Enable	24	LED_CTRL	O

* Filter the AVDD28.

** Use a Buffer between module clk out, MON1_CAM and camera clk in, CLK_IN.

*** Non-connected.

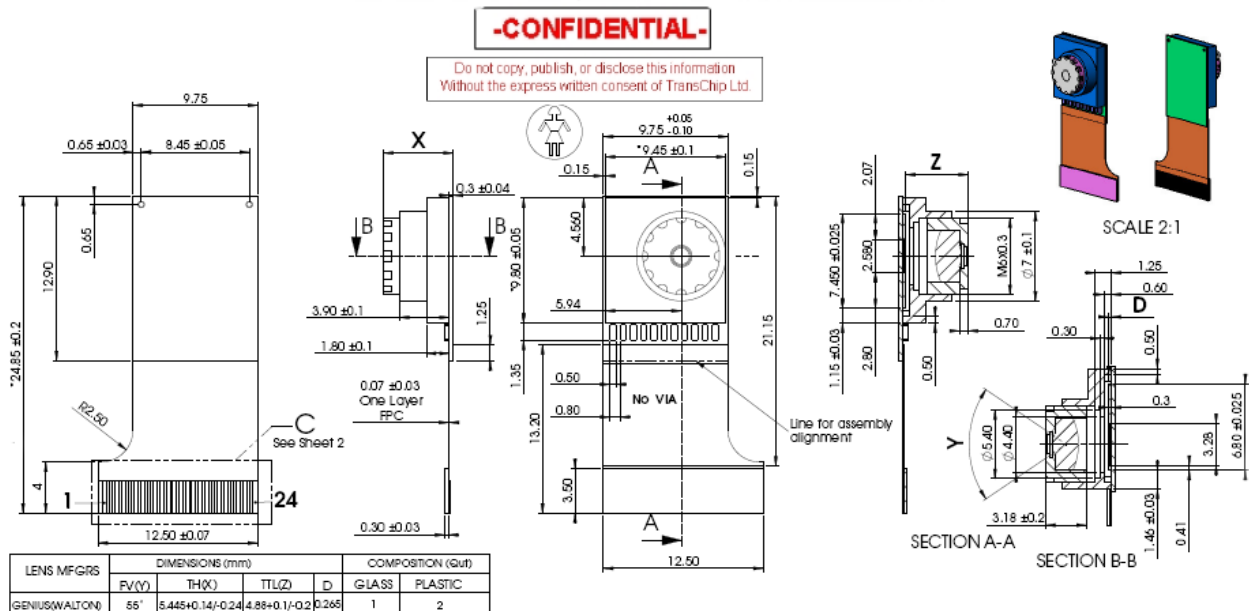


Fig 1. Camera Physical Detail & Connector

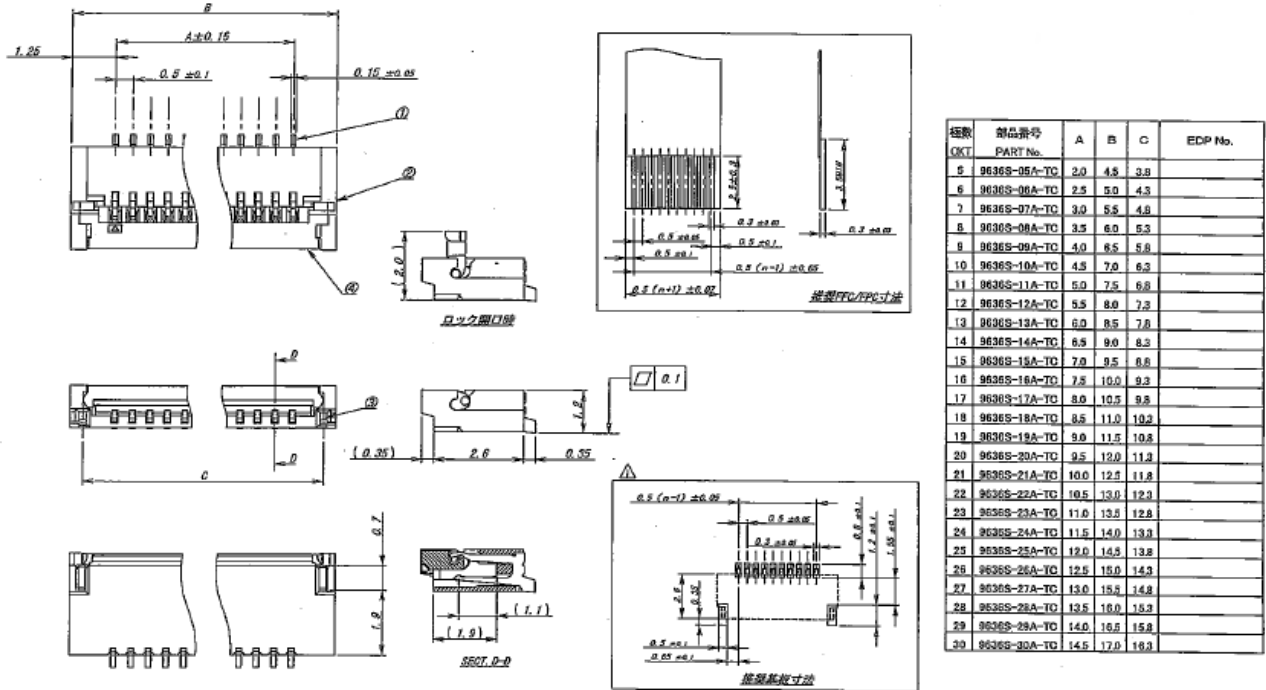
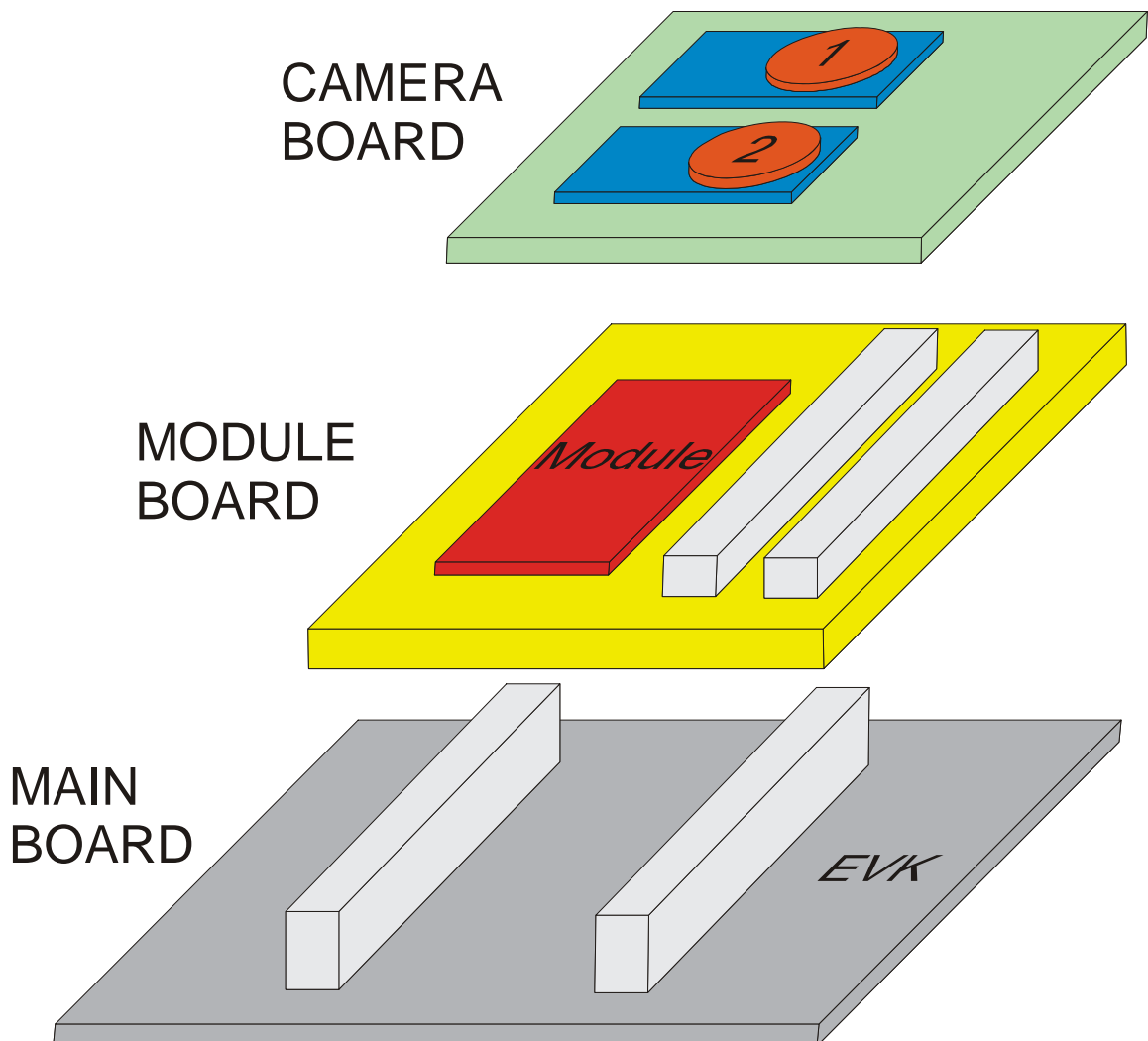


Fig 2. Camera Socket Connector

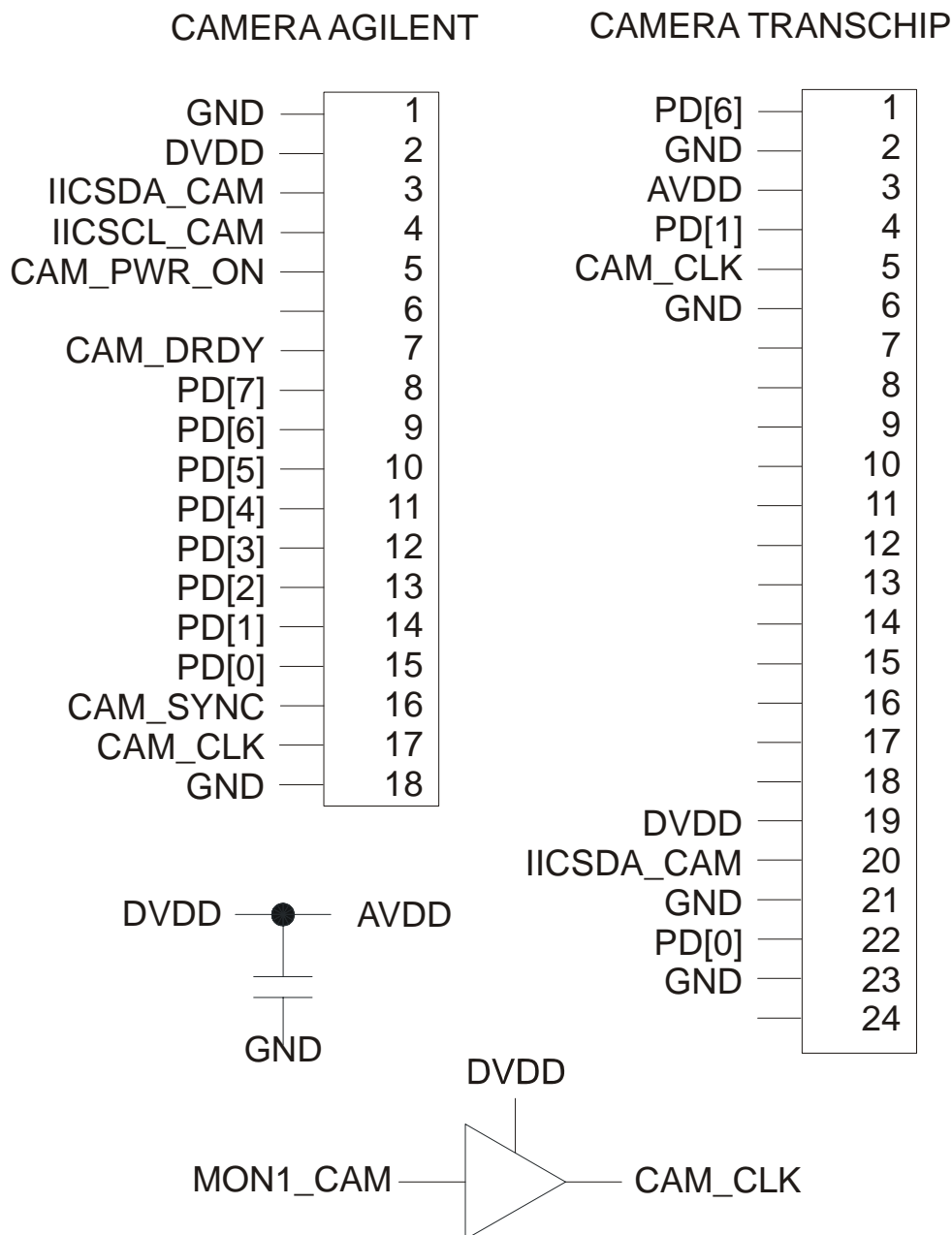
9.2.2EVB for Agilent and Transchip camera support

In order to interface the Telit GE863-QUAD with a CMOS camera, Telit has developed an evaluation board. The EVK allows the connecton of all Telit modules through 2 connectors of 40 pins each.

The I2CBUS DUAL CAMERA board is plugged in the 2 connectors of 30 pins each on the module board.



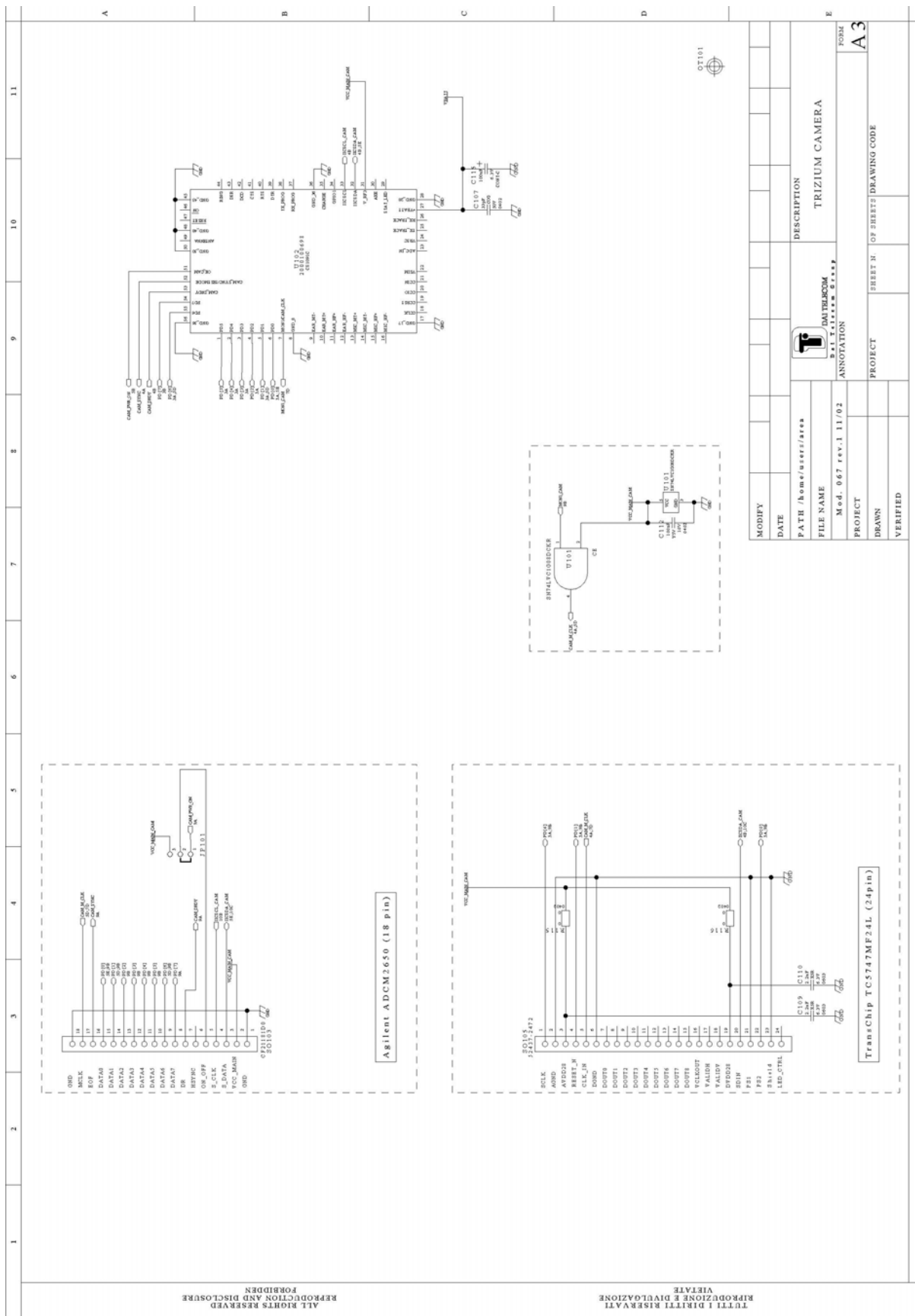
9.2.3 Block Diagram for supported cameras



The numbers on the left side of the Camera's connectors refers to Module Connector's pin number.

DVDD is VAUX1 power supply from GE863-QUAD

9.2.4 Schematic Diagrams for supported cameras



9.2.5 Example usage script for camera

Camera setting: (shown here are the defaults ones)

```
>AT#CAMSEL=0      (camera selection: 0-auto, 1-agilent, 2-transchip)
OK
>AT#CMODE=0       (camera mode: 0-day, 1-night)
OK
>AT#CAMQUA=0     (camera quality: 0-low, 1-medium, 2-high)
OK
>AT#CAMRES=0     (camera resolution: 0-VGA, 1-QVGA, 2-QQVGA)
OK
>AT#CAMCOL=0*    (camera color: 0-color, 1-grayscale)
OK
>AT#CAMZOOM=0    (camera zoom: 0-x1, 1-x2, 2-x4)
OK
>AT#CAMTXT=0*    (camera timestamp: 0-no, 1-time only, 2-data only, 3-time&data)
OK
```

Taking an reading a photo:

```
>AT#CAMEN=1      (camera ON)
OK
>AT#TPHOTO      (take photo)
OK
>AT+OBJL?       (see photo dimension)
#OBJL: Snapshot,38900 (where 38900 is the file dimension in bytes of the photo taken)
OK
>AT#RPHOTO      (download the photo)
...data.....      (where ...data... Correspond to the photo data in binary)
OK
>AT#TPHOTO      }
OK                }
>AT#RPHOTO      } Repeating photo capture and download n times
...data.....      }
```

OK

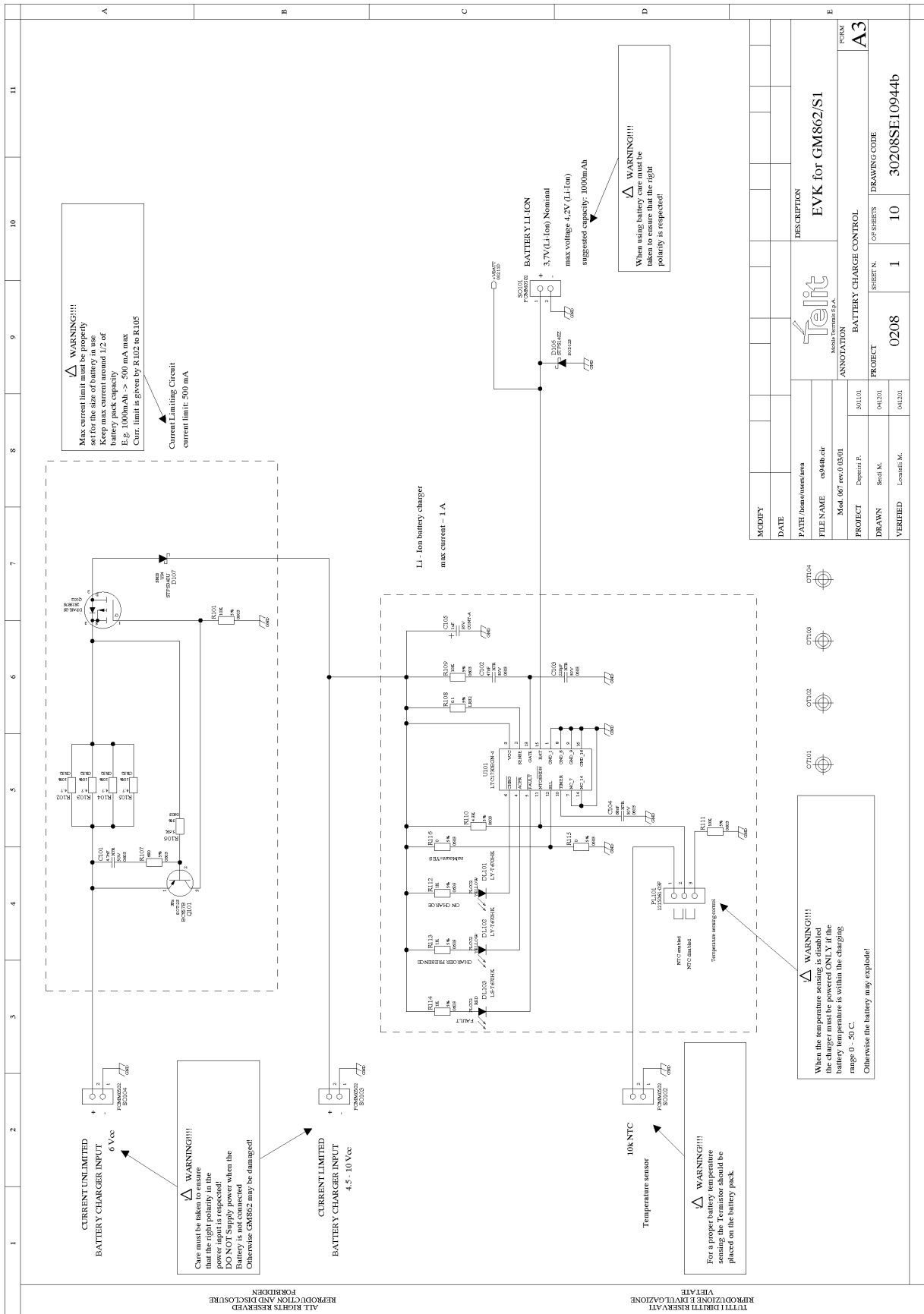
>AT#CAMEN=0 (camera OFF)

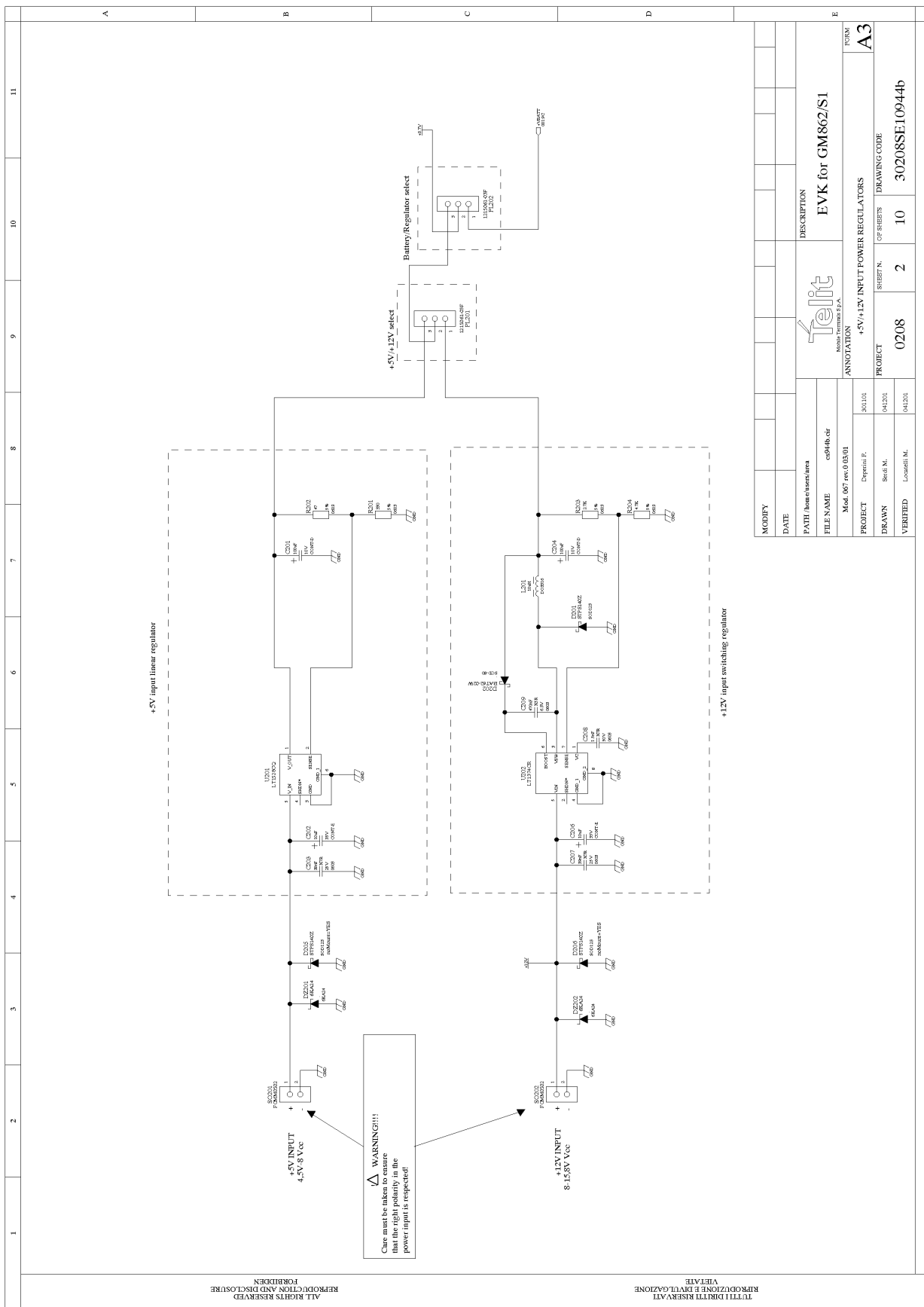
*only Transchip camera

Document Change Log

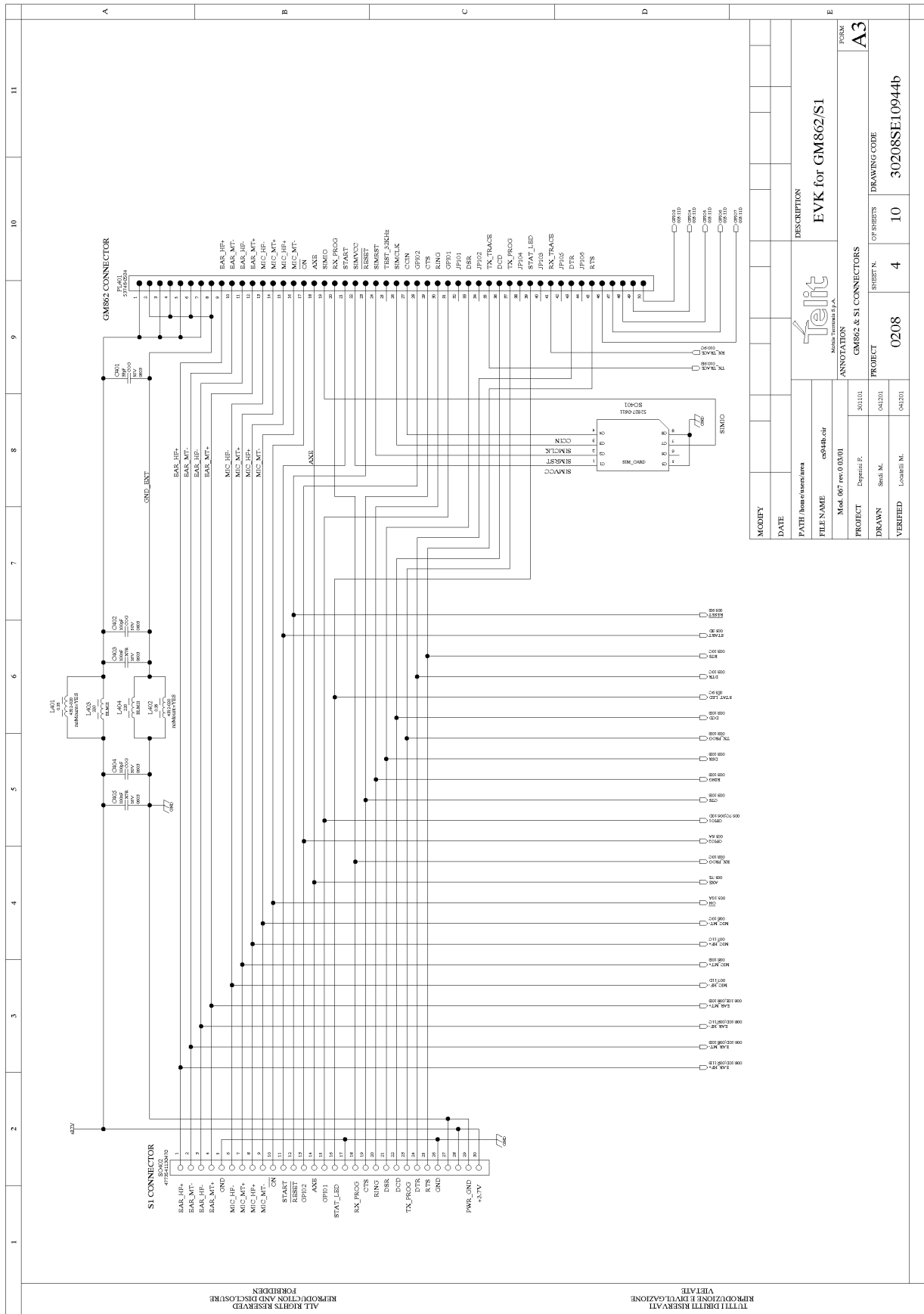
Revision	Date	Changes
ISSUE #0	21/11/05	First release

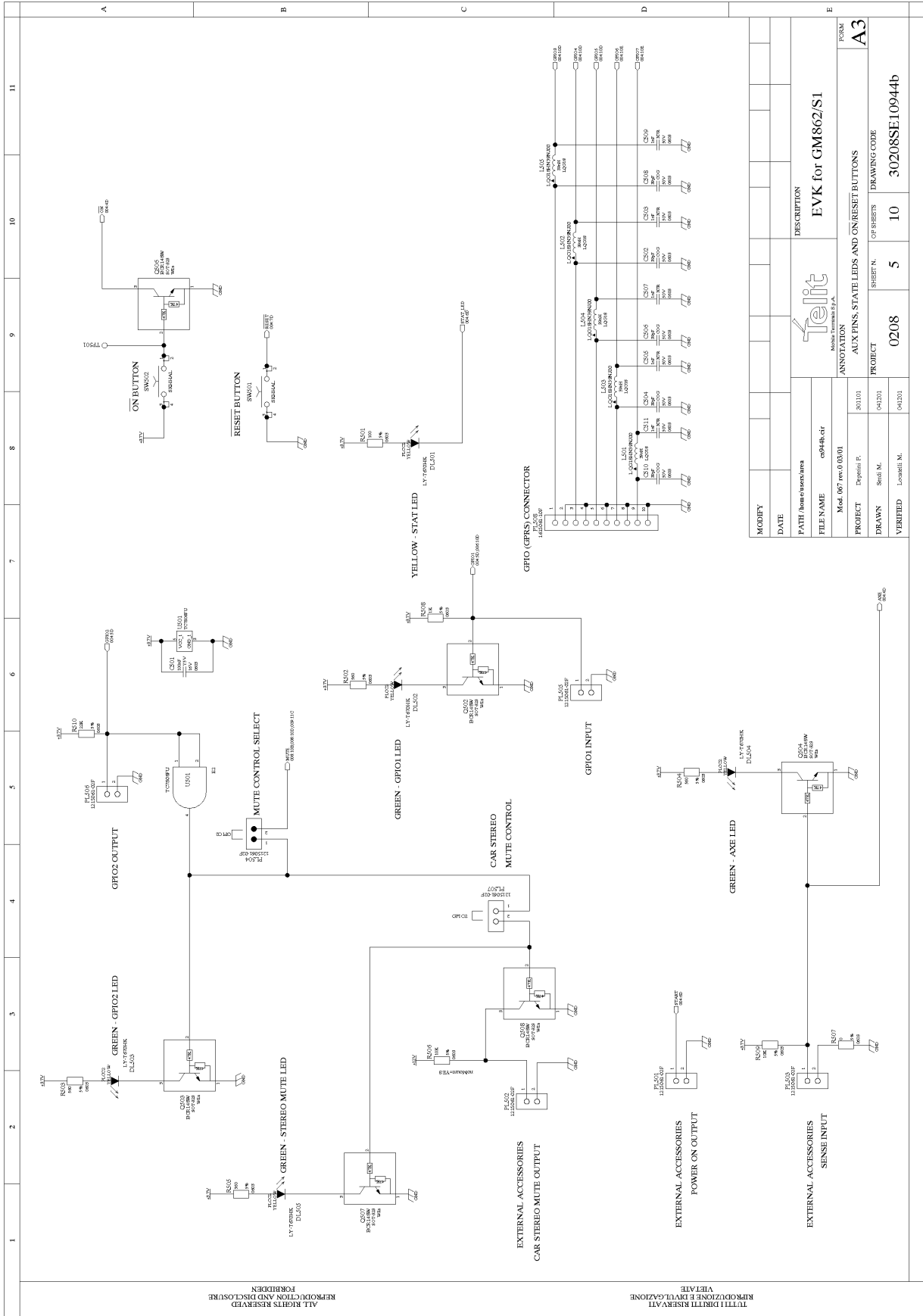
10 Annex A - EVK schematics

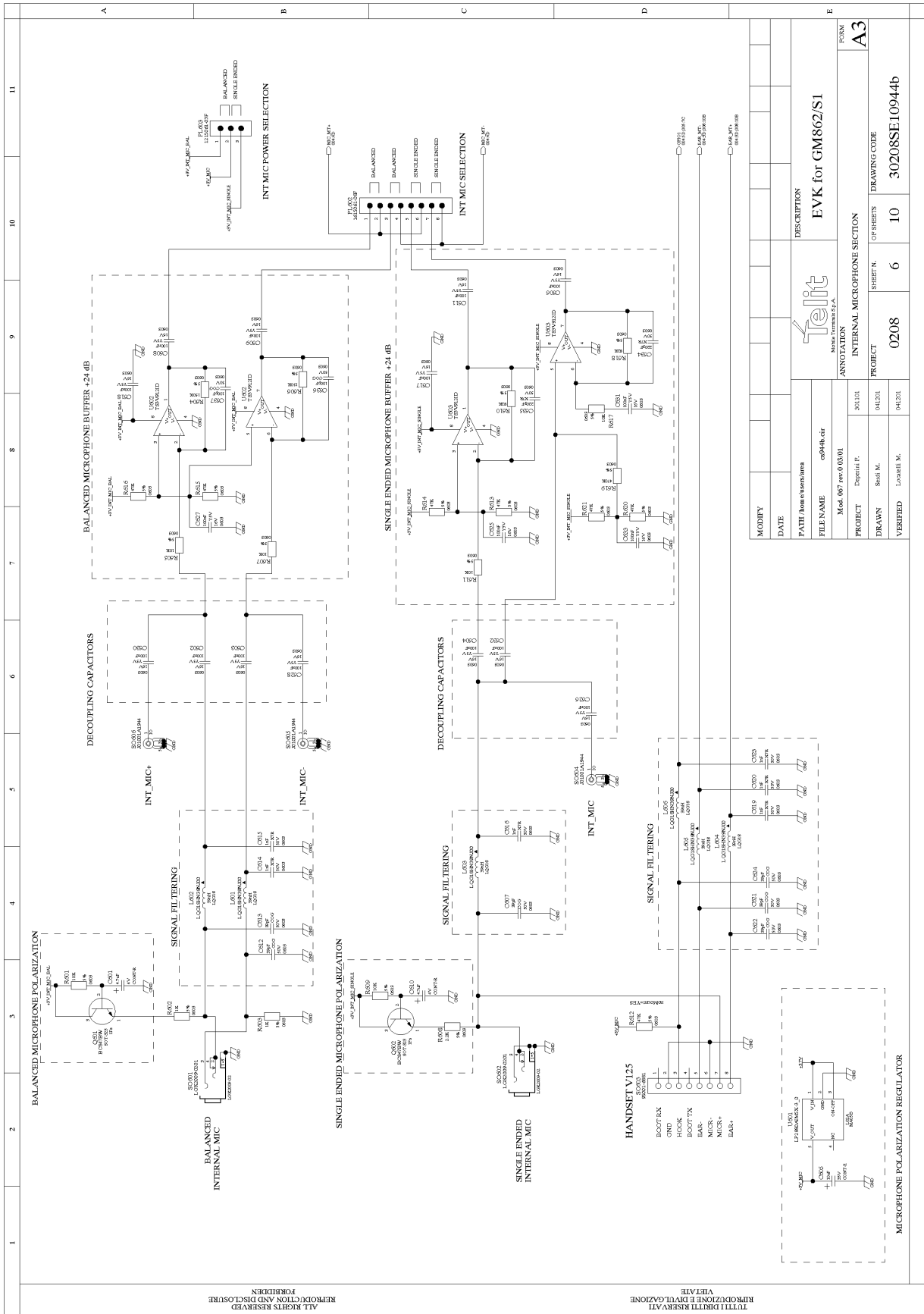


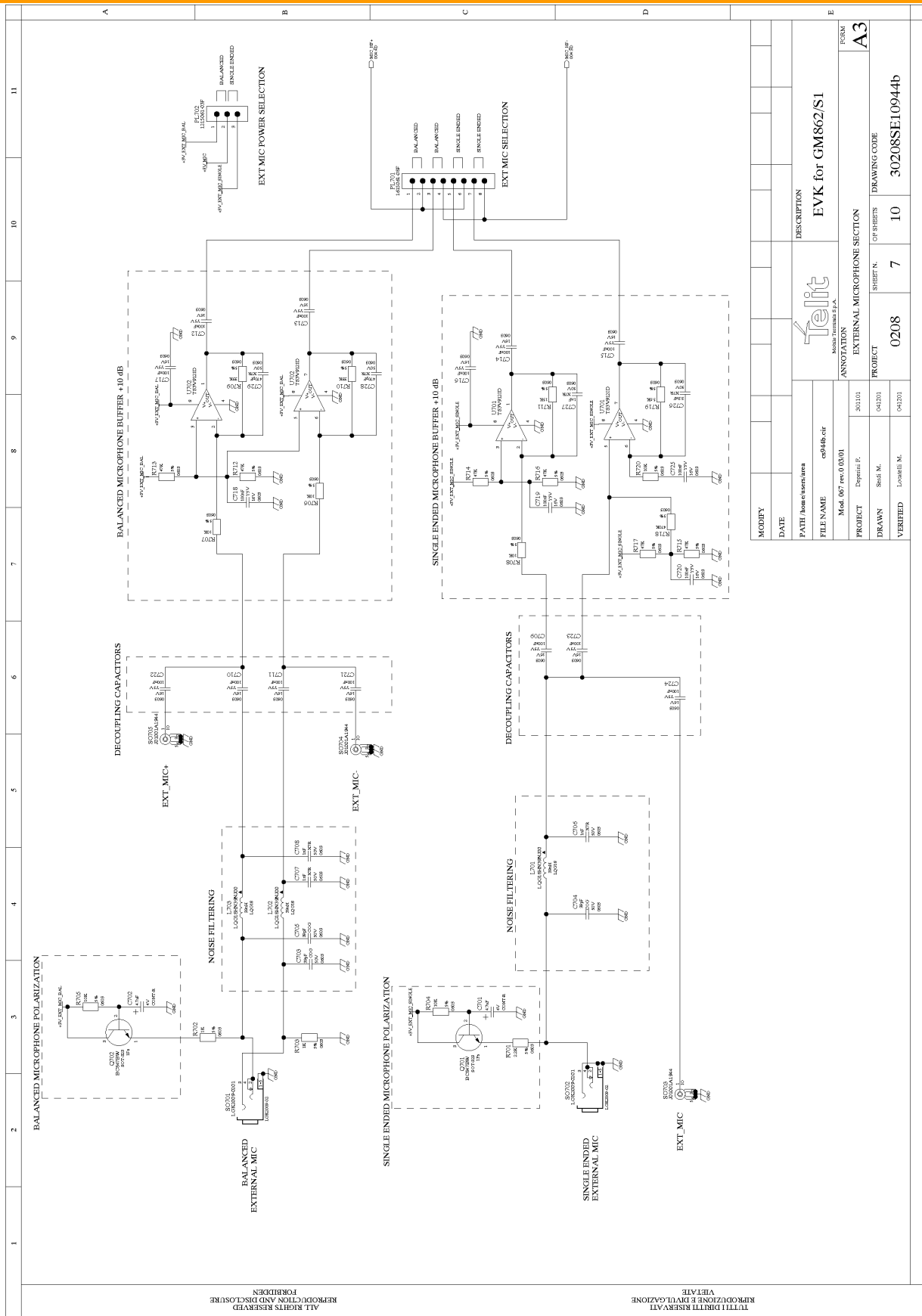


MODIFY											
DATE											
PATH	/home/elsa/jarica										
FILE NAME	cp044b.cir										
PROJECT	Mod. 067 rev 0.0301										
DRAWN	Dapina P.		301101		041201		PROJECT			0208	
VERIFIED	Loratti M.		041201		041201		SHEET N.			2	
	DESCRIPTION			EVK for GM862/S1			OF SHEETS		DRAWING CODE		FORM
	ANNOTATION			+5V/+1.2V INPUT POWER REGULATORS			SHEET N.		DRAWING CODE		FORM
	PROJECT			30208SE10944b			SHEET N.		DRAWING CODE		FORM
	PROJECT			0208			SHEET N.		DRAWING CODE		FORM
	PROJECT			30208SE10944b			SHEET N.		DRAWING CODE		FORM

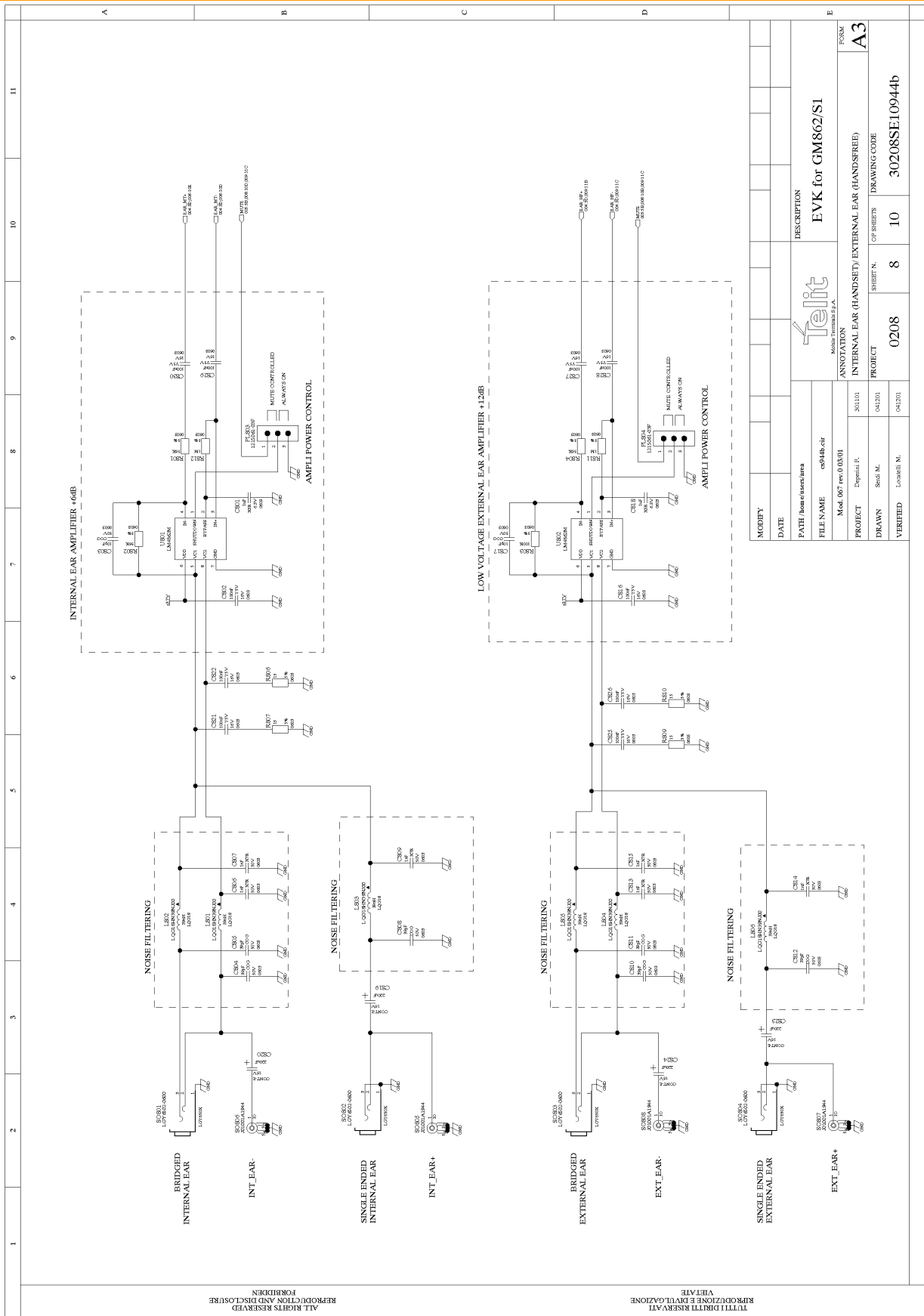


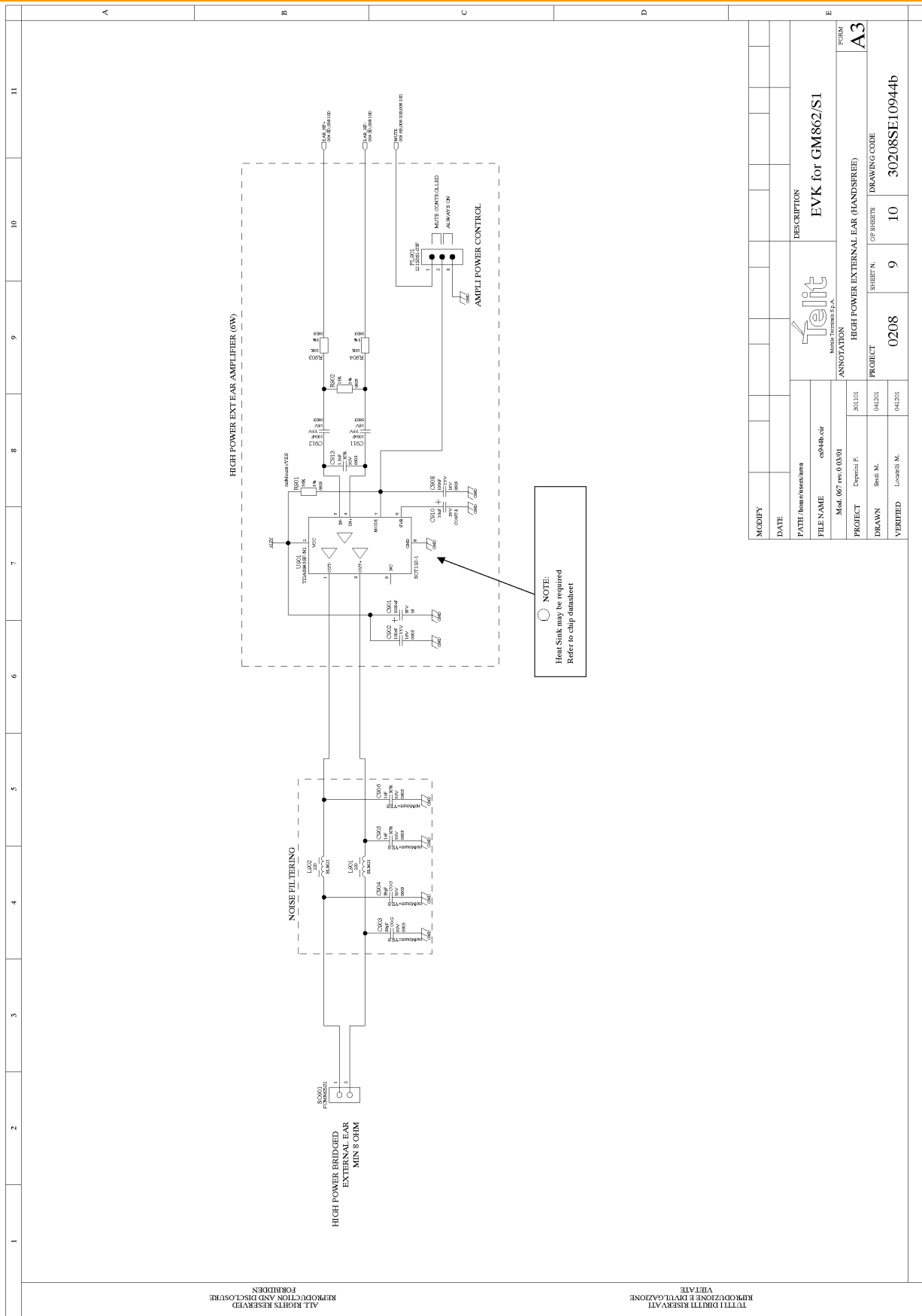




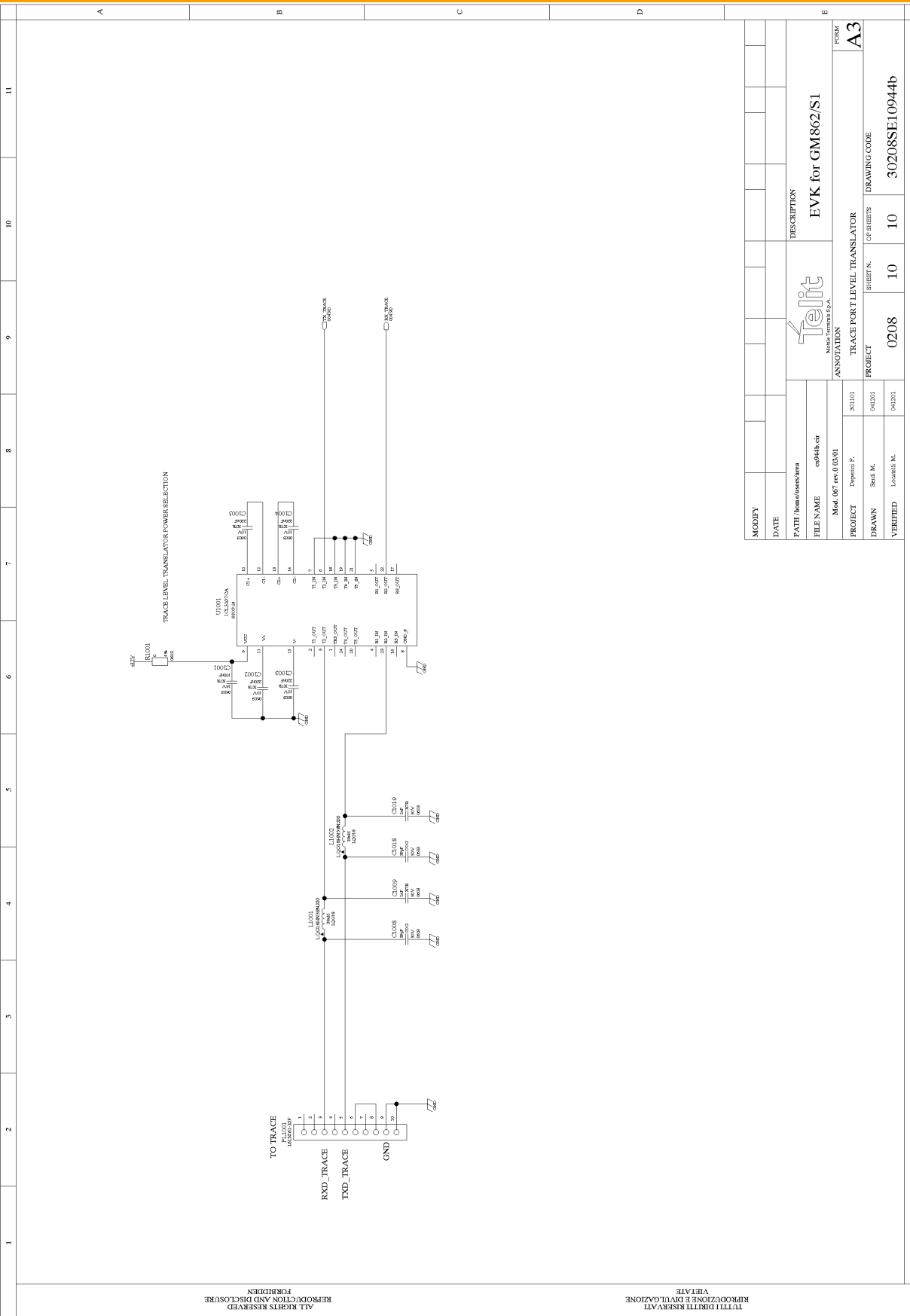


MODIFY									
DATE									
PATH	Home e users area								
FILE NAME	e094b.cdr								
	Mod. 007 rev.0 03/01								
PROJECT	Dipenta P.								
DRAWN	Sera M.								
VERIFIED	Lorelli M.								
	ANNUNZIATO COMMUNICATIONS S.P.A.								
	DESCRIZIONE								
	EVK for GM862/S1								
	EXTERNAL MICROPHONE SECTION								
	SHEET N. 7								
	OF SHEETS 10								
	DRAWING CODE 30208SE10944b								
	A3								





MODIFY										
DATE										
PATH	/home/serena									
FILE NAME	e0944b.cdr									
Mod.	007 rev.0 03/01									
PROJECT	Dipartimento F.									
DRAWN	Baldi M.									
VERIFIED	Lodigiani M.									
DESCRIPTION	EVK for GM862/S1									
ANNOTATION	HIGH POWER EXTERNAL EAR (HANDSHREE)									
PROJECT	0208	9	10	30208SEI0944b						
PROJECT SHEET N.	0208	9	10	30208SEI0944b						
PROJECT SHEETS	DRAWING CODE									
FORM	A3									



MODIFY						
DATE						
PATH: /home/luiseletta		DESCRIPTION: EVK for GM862/S1				
FILE NAME: evk4hc.cdr		ANNOTATION: A3				
Mod: 007 rev.0 03/01		PROJECT: TRACE PORT LEVEL TRANSLATOR		SHEET N. OF SHEETS: 10 10		DRAWING CODE: 30208SE10944b
PROJECT: Deposti F.		SHEET N.: 04121		PROJECT: 0208		DRAWING CODE: 30208SE10944b
DRAWN: Scud M.		SHEET N.: 04121		PROJECT: 0208		DRAWING CODE: 30208SE10944b
VERIFIED: Losavelli M.		SHEET N.: 04121		PROJECT: 0208		DRAWING CODE: 30208SE10944b

REPRODUCTION AND DISCLOSURE FORBIDDEN

ITALIA INFORMATICA S.P.A. - VIA VENEZIA 11

REPRODUCTION AND DISCLOSURE FORBIDDEN

