

UE910 Hardware User Guide

1VW0301012 Rev.2- 24-04-2013



Applicability Table

PRODUCT
UE910-EUR
UE910-EUD
UE910-NAR
UE910-NAD



DISCLAIMER

The information contained in this document is the proprietary information of Telit Communications S.p.A. and its affiliates (“TELIT”). The contents are confidential and any disclosure to persons other than the officers, employees, agents or subcontractors of the owner or licensee of this document, without the prior written consent of Telit, is strictly prohibited.

Telit makes every effort to ensure the quality of the information it makes available. Notwithstanding the foregoing, Telit does not make any warranty as to the information contained herein, and does not accept any liability for any injury, loss or damage of any kind incurred by use of or reliance upon the information.

Telit disclaims any and all responsibility for the application of the devices characterized in this document, and notes that the application of the device must comply with the safety standards of the applicable country, and where applicable, with the relevant wiring rules.

Telit reserves the right to make modifications, additions and deletions to this document due to typographical errors, inaccurate information, or improvements to programs and/or equipment at any time and without notice. Such changes will, nevertheless be incorporated into new editions of this application note.

All rights reserved.

© 2013 Telit Communications S.p.A.



Contents

1	INTRODUCTION	6
1.1	SCOPE	6
1.2	AUDIENCE	6
1.3	CONTACT INFORMATION, SUPPORT	6
1.4	DOCUMENT ORGANIZATION	7
1.5	TEXT CONVENTIONS	8
1.6	RELATED DOCUMENTS.....	8
1.7	DOCUMENT HISTORY	9
2	OVERVIEW	10
3	UE910 MODULE CONNECTIONS.....	11
3.1	PIN-OUT	11
4	HARDWARE COMMANDS	18
4.1	TURNING ON THE UE910	18
4.2	TURNING OFF THE UE910	23
4.3	UE910 UNCONDITIONAL SHUTDOWN.....	25
5	POWER SUPPLY	28
5.1	POWER SUPPLY REQUIREMENTS	28
5.2	POWER CONSUMPTION	29
5.3	GENERAL DESIGN RULES	30
5.3.1	<i>Electrical Design Guidelines</i>	30
5.3.2	<i>Thermal Design Guidelines</i>	34
5.3.3	<i>Power Supply PCB layout Guidelines</i>	35
6	GSM/WCDMA RADIO SECTION	36
6.1	UE910 PRODUCT VARIANTS	36
6.2	TX OUTPUT POWER	36
6.3	SENSITIVITY	37
6.4	GSM/WCDMA ANTENNA REQUIREMENTS.....	37
6.5	GSM/WCDMA - PCB LINE GUIDELINES.....	39
6.6	GSM/WCDMA ANTENNA - INSTALLATION GUIDELINES	39
7	LOGIC LEVEL SPECIFICATIONS	40
7.1	UNCONDITIONAL SHUTDOWN	41
8	USB PORT	42
8.1	USB 2.0 HS.....	42
9	SPI PORT	43
9.1	SPI CONNECTIONS.....	43
10	SERIAL PORTS.....	44
10.1	MODEM SERIAL PORT 1 (USIF0)	45
10.2	MODEM SERIAL PORT 2 (USIF1)	47



10.3 RS232 LEVEL TRANSLATION.....	48
11 AUDIO SECTION OVERVIEW	50
11.1 ANALOG VOICE INTERFACE	50
11.1.1 MIC connection	51
11.1.2 LINE IN Connection.....	53
11.1.3 EAR Connection	54
11.2 DIGITAL VOICE INTERFACE.....	55
11.2.1 Electrical Characteristics	55
11.2.2 CODEC Examples	55
12 GENERAL PURPOSE I/O	56
12.1 GPIO LOGIC LEVELS	57
12.2 USING A GPIO PAD AS INPUT	58
12.3 USING A GPIO PAD AS OUTPUT.....	58
12.4 INDICATION OF NETWORK SERVICE AVAILABILITY	59
12.5 RTC BYPASS OUT	60
12.6 EXTERNAL SIM HOLDER IMPLEMENTATION	60
12.7 VAUX POWER OUTPUT.....	60
12.8 ADC CONVERTER	61
12.8.1 Description	61
12.8.2 Using ADC Converter.....	61
13 MOUNTING THE UE910 ON THE APPLICATION	62
13.1 GENERAL	62
13.2 MODULE FINISHING & DIMENSIONS	62
13.3 RECOMMENDED FOOT PRINT FOR THE APPLICATION.....	64
13.4 STENCIL	65
13.5 PCB PAD DESIGN.....	65
13.6 PCB PAD DIMENSIONS.....	66
13.7 SOLDER PASTE.....	68
13.7.1 UE910 Solder reflow.....	68
13.8 PACKING SYSTEM.....	70
13.9 MOISTURE SENSITIVITY	72
14 SAFETY RECOMMANDATIONS	73
15 CONFORMITY ASSESSMENT ISSUES.....	74
15.1 1999/5/EC DIRECTIVE	74
15.2 FCC/IC REGULATORY NOTICES.....	77



1 Introduction

1.1 Scope

The aim of this document is the description of some hardware solutions useful for developing a product with the Telit UE910 module.

1.2 Audience

This document is intended for Telit customers, who are integrators, about to implement their applications using our UE910 modules.

1.3 Contact Information, Support

For general contact, technical support, to report documentation errors and to order manuals, contact Telit's Technical Support Center (TTSC) at:

TS-EMEA@telit.com
TS-NORTHAMERICA@telit.com
TS-LATINAMERICA@telit.com
TS-APAC@telit.com

Alternatively, use:

<http://www.telit.com/en/products/technical-support-center/contact.php>

For detailed information about where you can buy the Telit modules or for recommendations on accessories and components visit:

<http://www.telit.com>

To register for product news and announcements or for product questions contact Telit's Technical Support Center (TTSC).

Our aim is to make this guide as helpful as possible. Keep us informed of your comments and suggestions for improvements.

Telit appreciates feedback from the users of our information.



1.4 Document Organization

This document contains the following chapters:

Chapter 1: “Introduction” provides a scope for this document, target audience, contact and support information, and text conventions.

Chapter 2: “Overview” provides an overview of the document.

Chapter 3: “UE910 Module Connections” deals with the pin out configuration and layout.

Chapter 4: “Hardware Commands” How to operate on the module via hardware.

Chapter 5: “Power supply” Power supply requirements and general design rules.

Chapter 6: “GSM/WCDMA Radio” The antenna connection and board layout design are the most important parts in the full product design.

Chapter 7: “Logic Level specifications” Specific values adopted in the implementation of logic levels for this module.

Chapter 8: “USB Port” The USB port on the Telit UE910 is the core of the interface between the module and OEM hardware

Chapter 9: “SPI port” Refers to the SPI port of the Telit UE910

Chapter 10: “Serial ports” Refers to the serial ports of the Telit UE910

Chapter 11: “Audio Section overview” Refers to the audio blocks of the Base Band Chip of the UE910 Telit Modules.

Chapter 12: “General Purpose I/O” How the general purpose I/O pads can be configured.

Chapter 13: “Mounting the UE910 on the application board” Mechanical dimensions and recommendations on how to mount the module on the user’s board.

Chapter 14: “Safety Recommendations” Information related to the Safety topics.

Chapter 15: “Conformity Assessment Issues” Information related to the Conformity Assessments.



1.5 Text Conventions



Danger – This information MUST be followed or catastrophic equipment failure or bodily injury may occur.



Caution or Warning – Alerts the user to important points about integrating the module, if these points are not followed, the module and end user equipment may fail or malfunction.



Tip or Information – Provides advice and suggestions that may be useful when integrating the module.

All dates are in ISO 8601 format, i.e. YYYY-MM-DD.

1.6 Related Documents

- Digital Voice Interface Application Note 80000NT10050A
- SPI Port Application Note 80000NT10053A
- SIM Holder Design Guides 80000NT10001a
- AT Commands Reference Guide 80378ST10091A
- Telit EVK2 User Guide 1vv0300704



1.7 Document History

Revision	Date	Changes
ISSUE#0	2012-09-07	Preliminary Version
ISSUE#1	2013-04-10	Updated Chapters 5.2, 6.3, 6.4, 9, 11, 13.4, 15
ISSUE#2	2013-04-24	Updated Chapters 13.4, 15.2



2 Overview

The aim of this document is the description of some hardware solutions useful for developing a product with the Telit UE910 module.

In this document all the basic functions of a mobile phone will be taken into account; for each one of them a proper hardware solution will be suggested and eventually the wrong solutions and common errors to be avoided will be evidenced. Obviously this document cannot embrace the whole hardware solutions and products that may be designed. The wrong solutions to be avoided shall be considered as mandatory, while the suggested hardware configurations shall not be considered mandatory, instead the information given shall be used as a guide and a starting point for properly developing your product with the Telit UE910 module. For further hardware details that may not be explained in this document refer to the Telit UE910 Product Description document where all the hardware information is reported.



NOTICE:

(EN) The integration of the GSM/GPRS/WCDMA **UE910** cellular module within user application shall be done according to the design rules described in this manual.

(IT) L'integrazione del modulo cellulare GSM/GPRS/WCDMA **UE910** all'interno dell'applicazione dell'utente dovrà rispettare le indicazioni progettuali descritte in questo manuale.

(DE) Die Integration des **UE910** GSM/GPRS/WCDMA Mobilfunk-Moduls in ein Gerät muß gemäß der in diesem Dokument beschriebenen Konstruktionsregeln erfolgen.

(SL) Integracija GSM/GPRS/WCDMA **UE910** modula v uporabniški aplikaciji bo morala upoštevati projektna navodila, opisana v tem priročniku.

(SP) La utilización del modulo GSM/GPRS/WCDMA **UE910** debe ser conforme a los usos para los cuales ha sido diseñado descritos en este manual del usuario.

(FR) L'intégration du module cellulaire GSM/GPRS/WCDMA **UE910** dans l'application de l'utilisateur sera faite selon les règles de conception décrites dans ce manuel.

(HE) האינטגרציה של המודול הסלולרי **UE910** עם המוצר. תבנית זה בתהליך האינטגרציה של המודול הסלולרי.

The information presented in this document is believed to be accurate and reliable. However, no responsibility is assumed by Telit Communications S.p.A. for its use, nor any infringement of patents or other rights of third parties which may result from its use. No license is granted by implication or otherwise under any patent rights of Telit Communications S.p.A. other than for circuitry embodied in Telit products. This document is subject to change without notice.



3 UE910 module connections

3.1 PIN-OUT

PAD	Signal	I/O	Function	Type	COMMENT
USB HS 2.0 COMMUNICATION PORT					
B15	USB_D+	I/O	USB differential Data (+)		
C15	USB_D-	I/O	USB differential Data (-)		
A13	VUSB	I	Power sense for the internal USB transceiver.		
Asynchronous Serial Port (USIF0) - Prog. / Data + HW Flow Control					
N15	C103/TXD	I	Serial data input from DTE	CMOS 1.8V	
M15	C104/RXD	O	Serial data output to DTE	CMOS 1.8V	
M14	C108/DTR	I	Input for (DTR) from DTE	CMOS 1.8V	
L14	C105/RTS	I	Input for Request to send signal (RTS) from DTE	CMOS 1.8V	
P15	C106/CTS	O	Output for Clear to Send signal (CTS) to DTE	CMOS 1.8V	
N14	C109/DCD	O	Output for (DCD) to DTE	CMOS 1.8V	
P14	C107/DSR	O	Output for (DSR) to DTE	CMOS 1.8V	
R14	C125/RING	O	Output for Ring (RI) to DTE	CMOS 1.8V	
Asynchronous Auxiliary Serial Port (USIF1)					
D15	TX_AUX	O	Auxiliary UART (TX Data to DTE)	CMOS 1.8V	
E15	RX_AUX	I	Auxiliary UART (RX Data from DTE)	CMOS 1.8V	
SIM card interface					
A6	SIMCLK	O	External SIM signal – Clock	1.8 / 3V	
A7	SIMRST	O	External SIM signal – Reset	1.8 / 3V	
A5	SIMIO	I/O	External SIM signal – Data I/O	1.8 / 3V	
A4	SIMIN	I	External SIM signal – Presence (active low)	CMOS 1.8	
A3	SIMVCC	-	External SIM signal – Power supply for the SIM	1.8 / 3V	
Analog Audio					
B2	EAR+	O	Analog Audio Interface (EAR+)		
B3	EAR-	O	Analog Audio Interface (EAR-)		
B4	MIC+	I	Analog Audio Interface (MIC+)		
B5	MIC-	I	Analog Audio Interface (MIC-)		
Digital Voice Interface (DVI)					
B9	DVI_WA0	I/O	Digital Audio Interface (WA0)	CMOS 1.8V	
B6	DVI_RX	I/O	Digital Audio Interface (RX)	CMOS 1.8V	
B7	DVI_TX	I/O	Digital Audio Interface (TX)	CMOS 1.8V	



UE910 Hardware User Guide
1VV0301012 Rev.2 – 24-04-2013

B8	DVI_CLK	I/O	Digital Audio Interface (CLK)	CMOS 1.8V	
SPI					
D15	SPI_MOSI	I	SPI MOSI	CMOS 1.8V	Shared with TX_AUX
E15	SPI_MISO	O	SPI_MISO	CMOS 1.8V	Shared with RX_AUX
F15	SPI_CLK	I	SPI Clock	CMOS 1.8V	
H15	SPI_MRDY	I	SPI_MRDY	CMOS 1.8V	
J15	SPI_SRDY	O	SPI_SRDY	CMOS 1.8V	
DIGITAL IO					
C8	GPIO_01	I/O	GPIO_01 /STAT LED	CMOS 1.8V	Alternate Function STAT LED
C9	GPIO_02	I/O	GPIO_02	CMOS 1.8V	
C10	GPIO_03	I/O	GPIO_03	CMOS 1.8V	
C11	GPIO_04	I/O	GPIO_04	CMOS 1.8V	
B14	GPIO_05	I/O	GPIO_05	CMOS 1.8V	
C12	GPIO_06	I/O	GPIO_06	CMOS 1.8V	
C13	GPIO_07	I/O	GPIO_07	CMOS 1.8V	
K15	GPIO_08	I/O	GPIO_08	CMOS 1.8V	
L15	GPIO_09	I/O	GPIO_09	CMOS 1.8V	
G15	GPIO_10	I/O	GPIO_10	CMOS 1.8V	
ADC					
B1	ADC_IN1	AI	Analog / Digital converter input	A/D	Accepted values 0 to 1.2V DC
RF SECTION					
K1	ANTENNA	I/O	GSM/EDGE/UMTS Antenna (50 ohm)	RF	
Miscellaneous Functions					
R13	HW_SHUTDOWN*	I	HW Unconditional Shutdown	CMOS 1.8V	Active low
R12	ON_OFF*	I	Input command for power ON	CMOS 1.8V	Active low
C14	VRTC	I	VRTC Backup capacitor	Power	backup for the embedded RTC supply
R11	VAUX/PWRMON	O	Supply Output for external accessories / Power ON Monitor	1.8V	
Power Supply					
M1	VBATT	-	Main power supply (Baseband)	Power	
M2	VBATT	-	Main power supply (Baseband)	Power	
N1	VBATT_PA	-	Main power supply (Radio PA)	Power	
N2	VBATT_PA	-	Main power supply (Radio PA)	Power	
P1	VBATT_PA	-	Main power supply (Radio PA)	Power	
P2	VBATT_PA	-	Main power supply (Radio PA)	Power	
E1	GND	-	Ground	Power	
G1	GND	-	Ground	Power	
H1	GND	-	Ground	Power	
J1	GND	-	Ground	Power	
L1	GND	-	Ground	Power	



UE910 Hardware User Guide
1VV0301012 Rev.2 – 24-04-2013

A2	GND	-	Ground	Power
E2	GND	-	Ground	Power
F2	GND	-	Ground	Power
G2	GND	-	Ground	Power
H2	GND	-	Ground	Power
J2	GND	-	Ground	Power
K2	GND	-	Ground	Power
L2	GND	-	Ground	Power
R2	GND	-	Ground	Power
M3	GND	-	Ground	Power
N3	GND	-	Ground	Power
P3	GND	-	Ground	Power
R3	GND	-	Ground	Power
D4	GND	-	Ground	Power
M4	GND	-	Ground	Power
N4	GND	-	Ground	Power
P4	GND	-	Ground	Power
R4	GND	-	Ground	Power
N5	GND	-	Ground	Power
P5	GND	-	Ground	Power
R5	GND	-	Ground	Power
N6	GND	-	Ground	Power
P6	GND	-	Ground	Power
R6	GND	-	Ground	Power
P8	GND	-	Ground	Power
R8	GND	-	Ground	Power
P9	GND	-	Ground	Power
P10	GND	-	Ground	Power
R10	GND	-	Ground	Power
M12	GND	-	Ground	Power
B13	GND	-	Ground	Power
P13	GND	-	Ground	Power
E14	GND	-	Ground	Power
RESERVED				
C1	RESERVED	-	RESERVED	
D1	RESERVED	-	RESERVED	
B2	RESERVED	-	RESERVED	
C2	RESERVED	-	RESERVED	
D2	RESERVED	-	RESERVED	
B3	RESERVED	-	RESERVED	
C3	RESERVED	-	RESERVED	



UE910 Hardware User Guide
1VV0301012 Rev.2 – 24-04-2013

D3	RESERVED	-	RESERVED		
E3	RESERVED	-	RESERVED		
F3	RESERVED	-	RESERVED		
G3	RESERVED	-	RESERVED		
H3	RESERVED	-	RESERVED		
J3	RESERVED	-	RESERVED		
K3	RESERVED	-	RESERVED		
L3	RESERVED	-	RESERVED		
B4	RESERVED	-	RESERVED		
C4	RESERVED	-	RESERVED		
B5	RESERVED	-	RESERVED		
C5	RESERVED	-	RESERVED		
C6	RESERVED	-	RESERVED		
C7	RESERVED	-	RESERVED		
N7	RESERVED	-	RESERVED		
P7	RESERVED	-	RESERVED		
N8	RESERVED	-	RESERVED		
N9	RESERVED	-	RESERVED		
A10	RESERVED	-	RESERVED		
N10	RESERVED	-	RESERVED		
N11	RESERVED	-	RESERVED		
B12	RESERVED	-	RESERVED		
D12	RESERVED	-	RESERVED		
N12	RESERVED	-	RESERVED		
P12	RESERVED	-	RESERVED		
F14	RESERVED	-	RESERVED		
G14	RESERVED	-	RESERVED		
H14	RESERVED	-	RESERVED		
J14	RESERVED	-	RESERVED		
K14	RESERVED	-	RESERVED		
N13	RESERVED	-	RESERVED		
L13	RESERVED	-	RESERVED		
J13	RESERVED	-	RESERVED		
M13	RESERVED	-	RESERVED		
K13	RESERVED	-	RESERVED		
H13	RESERVED	-	RESERVED		
G13	RESERVED	-	RESERVED		
F13	RESERVED	-	RESERVED		
A11	RESERVED	-	RESERVED		
A12	RESERVED	-	RESERVED		
B1	RESERVED	-	RESERVED		
B11	RESERVED	-	RESERVED		



B10	RESERVED	-	RESERVED		
A9	RESERVED	-	RESERVED		
A8	RESERVED	-	RESERVED		
D14	RESERVED	-	RESERVED		
A14	RESERVED	-	RESERVED		
D13	RESERVED	-	RESERVED		
E13	RESERVED	-	RESERVED		
F1	RESERVED	-	RESERVED		
R9	RESERVED	-	RESERVED		
R7	RESERVED	-	RESERVED		
P11	RESERVED	-	RESERVED		



WARNING:

Reserved pins must not be connected.



NOTE 1:

The following table is listing the main Pinout differences between the UE910 variants

Product	Audio	Notes
UE910-EUR	YES	
UE910-EUD	NO	Reserved Pads: B2, B3, B4, B5
UE910-NAR	YES	
UE910-NAD	NO	Reserved Pads: B2, B3, B4, B5





NOTE:

If not used, almost all pins should be left disconnected. The only exceptions are the following pins:

PAD	Signal	Notes
M1,M2,N1,N2,P1,P2	VBATT & VBATT_PA	
E1,G1,H1,J1,L1,A2,E2,F2,G2,H2, J2,K2,L2,R2,M3,N3,P3,R3,D4,M4, N4,P4,R4,N5,P5,R5,N6,P6,R6,P8, R8,P9,P10,R10,M12,B13,P13,E14	GND	
R12	ON/OFF*	
R13	HW_SHUTDOWN*	
B15	USB_D+	If not used should be connected to a Test Point
C15	USB_D-	If not used should be connected to a Test Point
A13	VUSB	If not used should be connected to a Test Point
N15	C103/TXD	If not used should be connected to a Test Point
M15	C104/RXD	If not used should be connected to a Test Point
L14	C105/RTS	If the flow control is not used it should be connected to GND
P15	C106/CTS	If not used should be connected to a Test Point
D15	TXD_AUX	If not used should be connected to a Test Point
E15	RXD_AUX	If not used should be connected to a Test Point
K1	MAIN ANTENNA	

RTS pin should be connected to the GND (on the module side) if flow control is not used.

The above pins are also necessary to debug the application when the module is assembled on it so we recommend connecting them also to dedicated test point.



TOP VIEW

	A	B	C	D	E	F	G	H	J	K	L	M	N	P	R
1		RES	RES	RES	GND	RES	GND	GND	GND	ANT	GND	VBATT	VBATT_P A	VBATT_P A	
2	GND	SPK+	RES	RES	GND	GND	GND	GND	GND	GND	GND	VBATT	VBATT_P A	VBATT_P A	GND
3	SIMVCC	SPK -	RES	RES	RES	RES	RES	RES	RES	RES	RES	GND	GND	GND	GND
4	SIMIN	MIC+	RES	GND								GND	GND	GND	GND
5	SIMIO	MIC -	RES										GND	GND	GND
6	SIMCLK	DVI_RX	RES										GND	GND	GND
7	SIMRST	DVI_TX	RES										RES	RES	RES
8	RES	DVI_CLK	GPIO_01										RES	GND	GND
9	RES	DVI_WA0	GPIO_02										RES	GND	RES
10	RES	RES	GPIO_03										RES	GND	GND
11	RES	RES	GPIO_04										RES	RES	VAUX/PW RMON
12	RES	RES	GPIO_06	RES								GND	RES	RES	ON_OFF*
13	VUSB	GND	GPIO_07	RES	RES	RES	RES	RES	RES	RES	RES	RES	RES	GND	HW_SHU TDOWN*
14	RES	GPIO_05	VRTC	RES	GND	RES	RES	RES	RES	RES	C105/RTS	C108/DTR	C109/DC D	C107/DSR	C125/RIN G
15		USB_D+	USB_D-	TX AUX	RX AUX	SPI_CLK	GPIO_10	SPI_MRD Y	SPI_SRD Y	GPIO_08	GPIO_09	C104/RXD	C103/TXD	C106/CTS	



NOTE:

The pin defined as **RES** has to be considered RESERVED and not connected on any pin in the application.

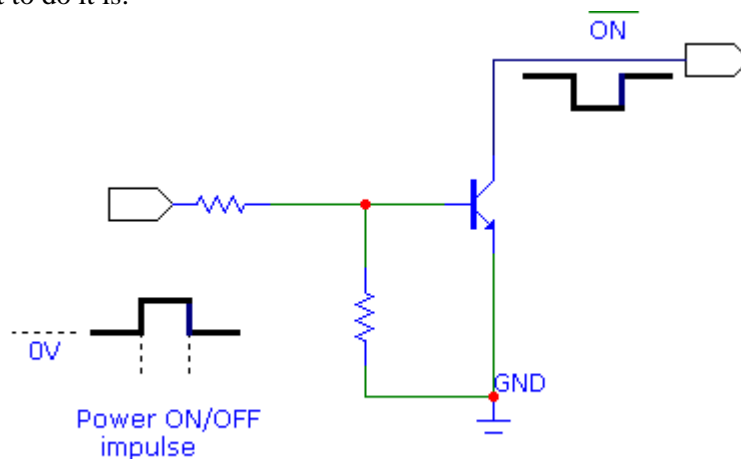


4 Hardware Commands

4.1 Turning ON the UE910

To turn on the UE910 the pad ON_OFF* must be tied low for at least 5 seconds and then released.

The maximum current that can be drained from the ON_OFF* pad is 0,1 mA.
A simple circuit to do it is:



NOTE:

Don't use any pull up resistor on the ON_OFF* line, it is internally pulled up. Using pull up resistor may bring to latch up problems on the UE910 power regulator and improper power on/off of the module. The line ON_OFF* must be connected only in open collector or open drain configuration.





NOTE:

In this document all the lines that are inverted, hence have active low signals are labelled with a name that ends with "##", "*#" or with a bar over the name.



TIP:

To check if the device has powered on, the hardware line PWRMON should be monitored.

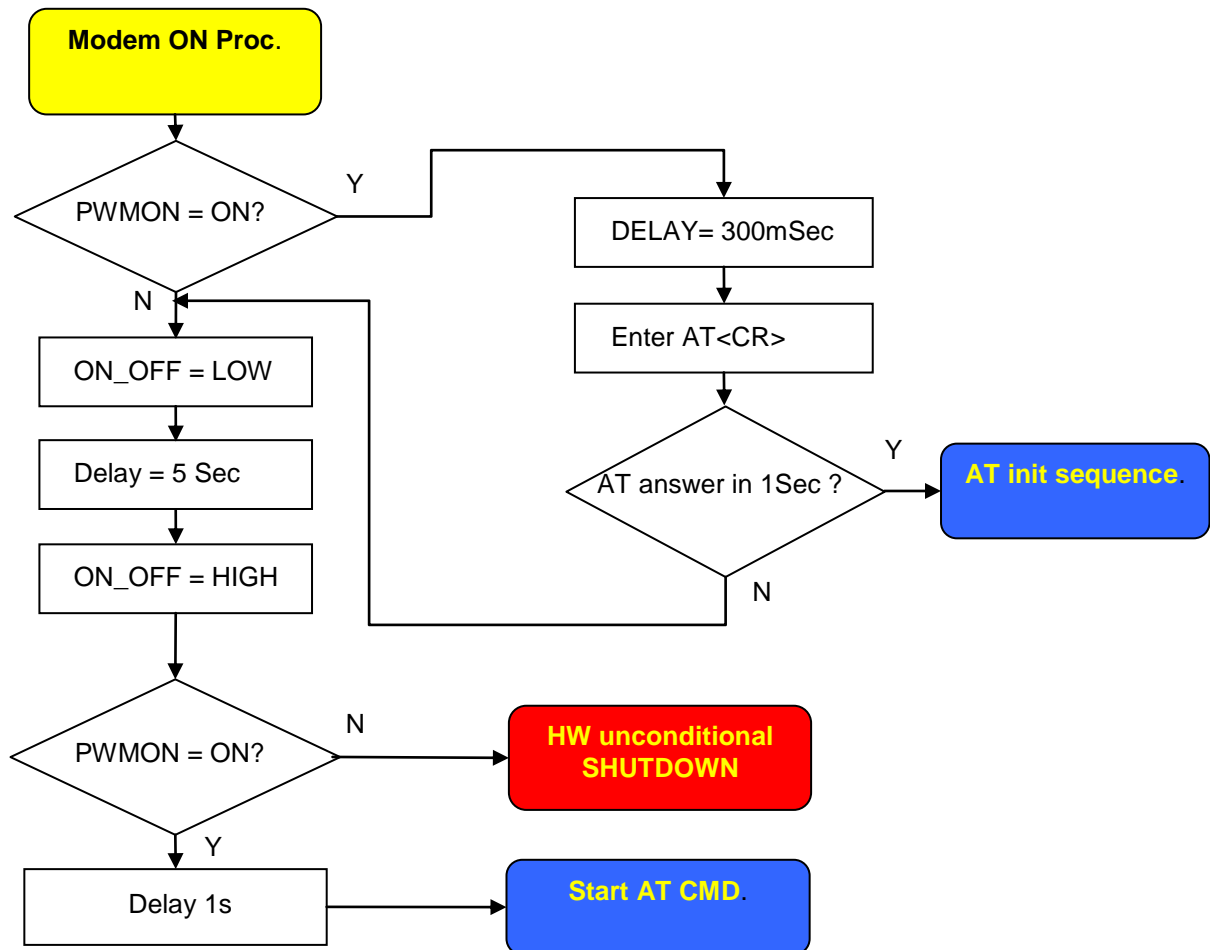


NOTE:

It is mandatory to avoid sending data to the serial ports during the first 200ms of the module start-up.



A flow chart showing the proper turn on procedure is displayed below:



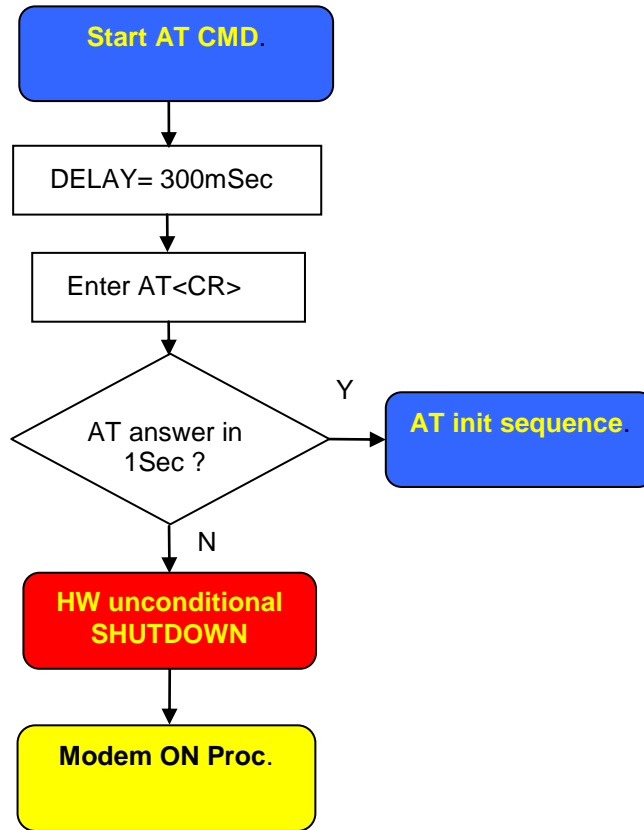
NOTE:



In order to avoid a back powering effect it is recommended to avoid having any HIGH logic level signal applied to the digital pins of the UE910 when the module is powered off or during an ON/OFF transition.

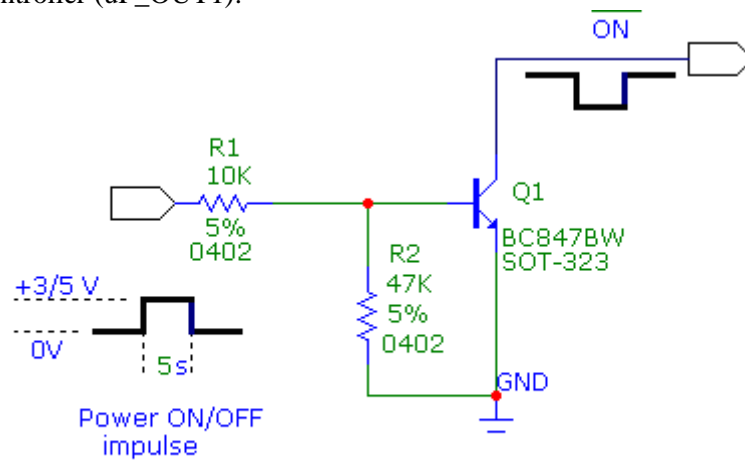


A flow chart showing the AT command managing procedure is displayed below:

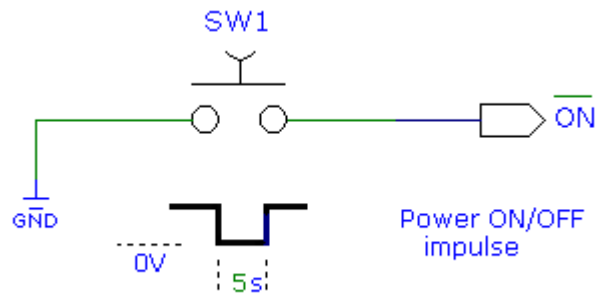


For example:

1- Let's assume you need to drive the ON_OFF* pad with a totem pole output of a +3/5 V microcontroller (uP_OUT1):



2- Let's assume you need to drive the ON_OFF* pad directly with an ON/OFF button:



4.2 Turning OFF the UE910

Turning off of the device can be done in two ways:

- via AT command (see UE910 Software User Guide, AT#SHDN)
- by tying low pin ON_OFF*

Either ways, the device issues a detach request to network informing that the device will not be reachable any more.

To turn OFF the UE910 the pad ON_OFF* must be tied low for at least 3 seconds and then released.



TIP:

To check if the device has been powered off, the hardware line PWRMON must be monitored. The device is powered off when PWRMON goes low.

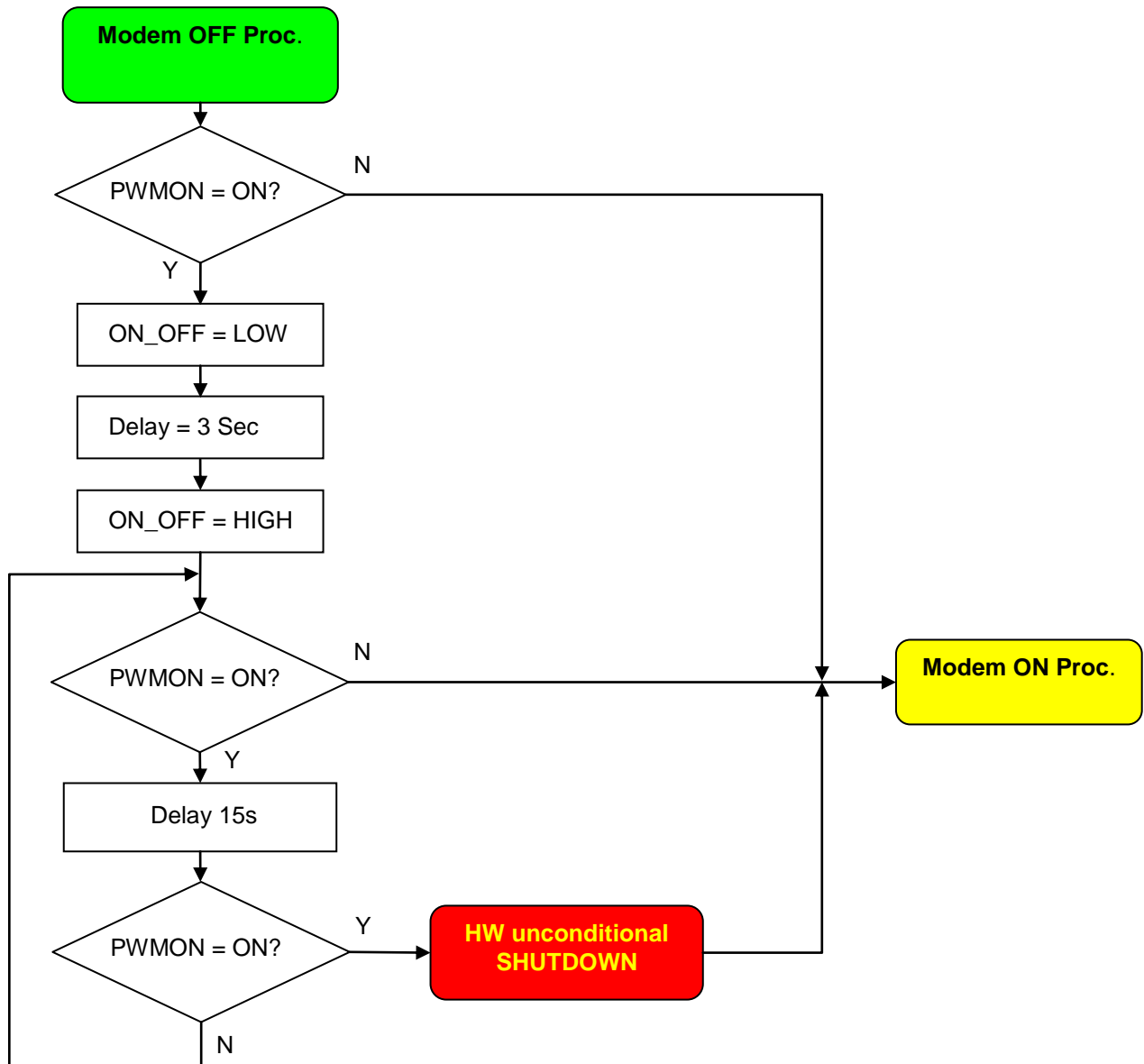


NOTE:

In order to avoid a back powering effect it is recommended to avoid having any HIGH logic level signal applied to the digital pins of the UE910 when the module is powered off or during an ON/OFF transition.



The following flow chart shows the proper turn off procedure:



4.3 UE910 Unconditional Shutdown

The Unconditional Shutdown of the module could be activated using the HW_SHUTDOWN* line (pad R13).



WARNING:

The hardware unconditional Shutdown must not be used during normal operation of the device since it does not detach the device from the network. It shall be kept as an emergency exit procedure.

To unconditionally shutdown the UE910, the pad HW_SHUTDOWN* must be tied low for at least 200 milliseconds and then released.



NOTE:

Do not use any pull up resistor on the HW_SHUTDOWN* line nor any totem pole digital output. Using pull up resistor may bring to latch up problems on the UE910 power regulator and improper functioning of the module. The line HW_SHUTDOWN* must be connected only in open collector configuration.

The HW_SHUTDOWN* is generating an unconditional shutdown of the module without an automatic restart.

The module will shutdown, but will NOT perform the detach from the cellular network.

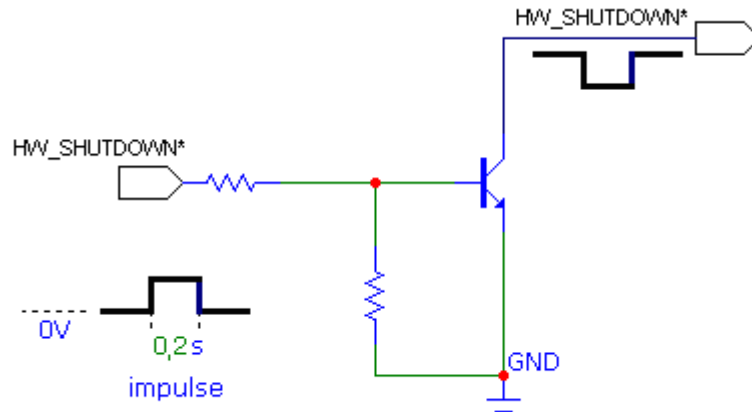
To proper power on again the module please refer to the related paragraph (“Powering ON the UE910”)

TIP:

The unconditional hardware shutdown must always be implemented on the boards and should be used only as an emergency exit procedure.

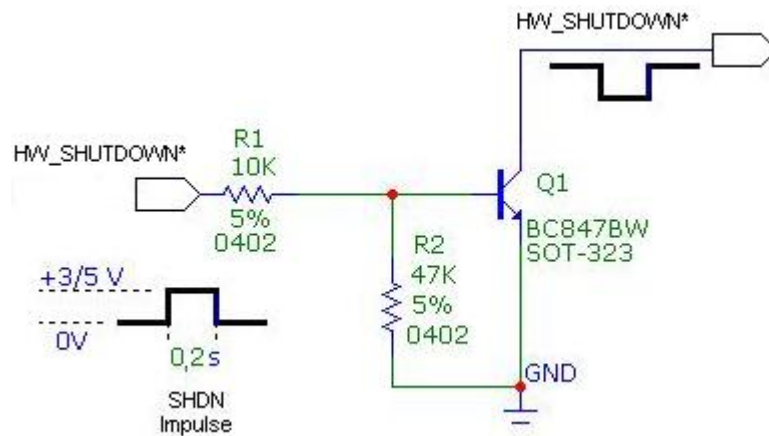


A typical circuit is the following:



For example:

- 1- Let us assume you need to drive the HW_SHUTDOWN* pad with a totem pole output of a +3/5 V microcontroller (uP_OUT2):

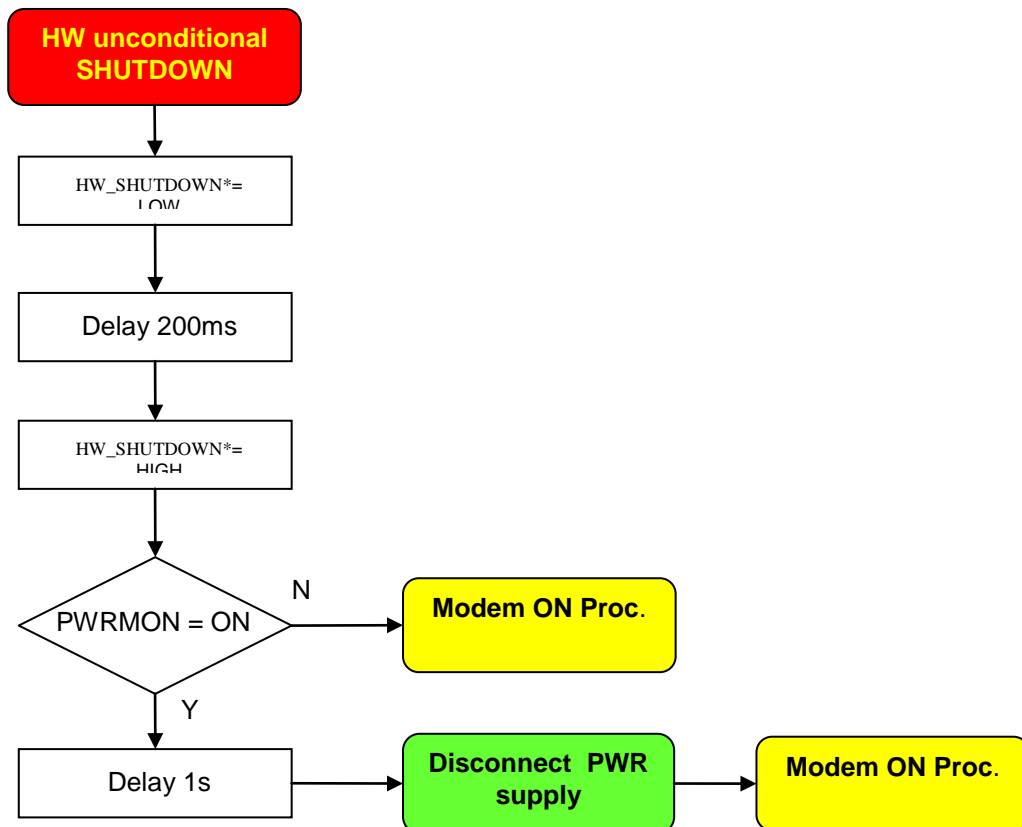


NOTE:

In order to avoid a back powering effect it is recommended to avoid having any HIGH logic level signal applied to the digital pins of the UE910 when the module is powered off or during an ON/OFF transition.



In the following flow chart is detailed the proper restart procedure:



5 Power Supply

The power supply circuitry and board layout are a very important part in the full product design and they strongly reflect on the product overall performances, hence read carefully the requirements and the guidelines that will follow for a proper design.

5.1 Power Supply Requirements

The external power supply must be connected to VBATT & VBATT_PA signals and must fulfil the following requirements:

POWER SUPPLY	
Nominal Supply Voltage	3.8 V
Normal Operating Voltage Range	3.40 V ÷ 4.20 V
Extended Operating Voltage Range	3.10 V ÷ 4.50 V



NOTE:

The Operating Voltage Range **MUST** never be exceeded; care must be taken when designing the application’s power supply section to avoid having an excessive voltage drop.

If the voltage drop is exceeding the limits it could cause a Power Off of the module.

The Power supply must be higher than 3.2 V to power on the module



NOTE:

Overshoot voltage (regarding MAX Extended Operating Voltage) and drop in voltage (regarding MIN Extended Operating Voltage) **MUST** never be exceeded;

The “Extended Operating Voltage Range” can be used only with completely assumption and application of the HW User guide suggestions.



5.2 Power Consumption

UE910		
Mode	Average (mA)	Mode description
SWITCHED OFF		
Switched Off	180 uA	Module supplied but Switched Off
IDLE mode (WCDMA)		
AT+CFUN=5	1.8	Disabled TX and RX; DRX7
IDLE mode (GSM/EDGE)		
AT+CFUN=1	13	Normal mode: full functionality of the module
AT+CFUN=4	12	Disabled TX and RX; module is not registered on the network
AT+CFUN=5	1.2	Disabled TX and RX; DRX9 (1.3mA in case of DRX5)
Operative mode (WCDMA)		
WCDMA Voice	154	WCDMA voice call (TX = 10dBm)
WCDMA HSDPA (0dBm)	129	WCDMA data call (Cat 8, TX = 0dBm)
WCDMA HSDPA (22dBm)	480	WCDMA data call (Cat 8, TX = 24dBm)
Operative mode (EDGE)		
EDGE 4TX+1RX		
GSM 850/900 - G8	446	EDGE Sending data mode
DCS1800/ PCS1900 – G7	377	
Operative mode (GSM)		
CSD TX and RX mode		
GSM 850/900 CSD PL5	240	GSM VOICE CALL
DCS1800/ PCS1900 CSD PL0	156	
GPRS 4TX+1RX		
GSM 850/900 PL5	580	GPRS Sending data mode
DCS1800/ PCS1900 PL0	376	

The GSM system is made in a way that the RF transmission is not continuous, else it is packed into bursts at a base frequency of about 216 Hz, and the relative current peaks can be as high as about 2A. Therefore the power supply has to be designed in order to withstand with these current peaks without big voltage drops; this means that both the electrical design and the board layout must be designed for this current flow. If the layout of the PCB is not well designed a strong noise floor is generated on the ground and the supply; this will reflect on all the audio paths producing an audible annoying noise at 216 Hz; if the voltage drop during the peak current absorption is too much, then the device may even shutdown as a consequence of the supply voltage drop.



NOTE:

The electrical design for the Power supply should be made ensuring it will be capable of a peak current output of at least 2 A.

The UE910-EUx variants are supporting EDGE class 33; the NAX variants support EDGE class 10.



5.3 General Design Rules

The principal guidelines for the Power Supply Design embrace three different design steps:

- the electrical design
- the thermal design
- the PCB layout.

5.3.1 Electrical Design Guidelines

The electrical design of the power supply depends strongly from the power source where this power is drained. We will distinguish them into three categories:

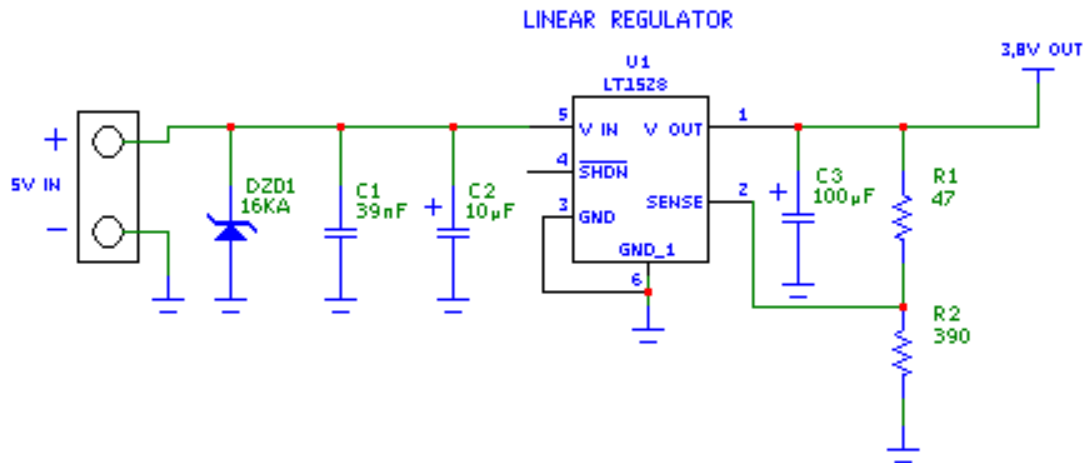
- +5V input (typically PC internal regulator output)
- +12V input (typically automotive)
- Battery

5.3.1.1 + 5V input Source Power Supply Design Guidelines

- The desired output for the power supply is 3.8V, hence there's not a big difference between the input source and the desired output and a linear regulator can be used. A switching power supply will not be suited because of the low drop out requirements.
- When using a linear regulator, a proper heat sink shall be provided in order to dissipate the power generated.
- A Bypass low ESR capacitor of adequate capacity must be provided in order to cut the current absorption peaks close to the UE910, a 100 μ F tantalum capacitor is usually suited.
- Make sure the low ESR capacitor on the power supply output (usually a tantalum one) is rated at least 10V.
- A protection diode should be inserted close to the power input, in order to save the UE910 from power polarity inversion.



An example of linear regulator with 5V input is:

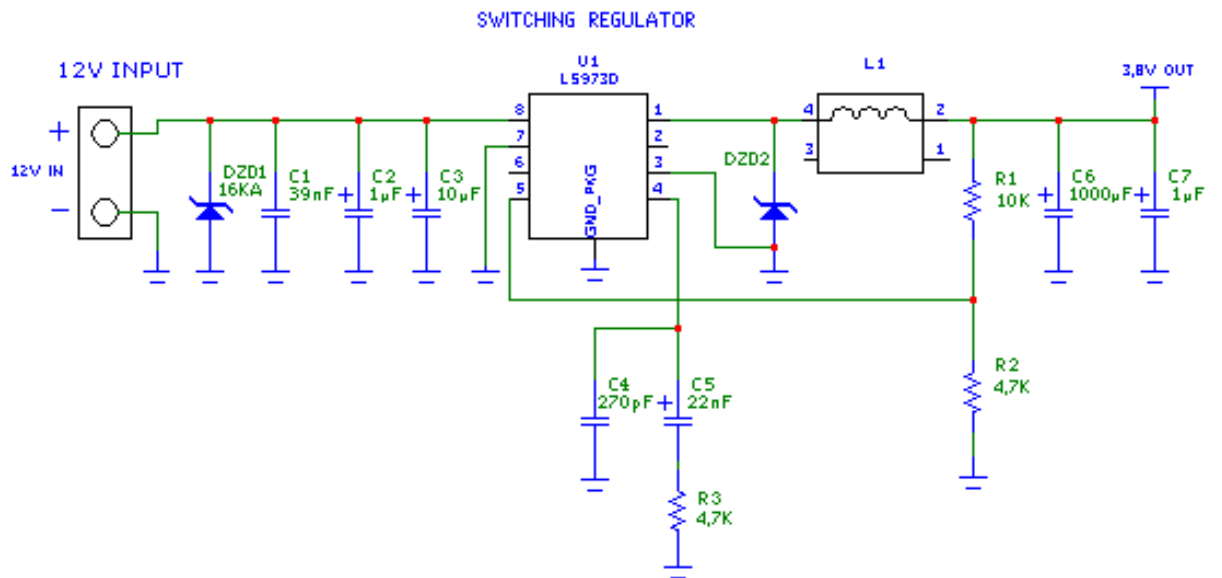


5.3.1.2 + 12V input Source Power Supply Design Guidelines

- The desired output for the power supply is 3.8V, hence due to the big difference between the input source and the desired output, a linear regulator is not suited and shall not be used. A switching power supply will be preferable because of its better efficiency especially with the 2A peak current load represented by the UE910.
- When using a switching regulator, a 500kHz or more switching frequency regulator is preferable because of its smaller inductor size and its faster transient response. This allows the regulator to respond quickly to the current peaks absorption.
- In any case the frequency and Switching design selection is related to the application to be developed due to the fact the switching frequency could also generate EMC interferences.
- For car PB battery the input voltage can rise up to 15,8V and this should be kept in mind when choosing components: all components in the power supply must withstand this voltage.
- A Bypass low ESR capacitor of adequate capacity must be provided in order to cut the current absorption peaks, a 100µF tantalum capacitor is usually suited.
- Make sure the low ESR capacitor on the power supply output (usually a tantalum one) is rated at least 10V.
- For Car applications a spike protection diode should be inserted close to the power input, in order to clean the supply from spikes.
- A protection diode should be inserted close to the power input, in order to save the UE910 from power polarity inversion. This can be the same diode as for spike protection.



An example of switching regulator with 12V input is in the below schematic:



5.3.1.3 Battery Source Power Supply Design Guidelines

The desired nominal output for the power supply is 3.8V and the maximum voltage allowed is 4.2V, hence a single 3.7V Li-Ion cell battery type is suited for supplying the power to the Telit UE910 module.



WARNING:

The three cells Ni/Cd or Ni/MH 3,6 V Nom. battery types or 4V PB types ***MUST NOT BE USED DIRECTLY*** since their maximum voltage can rise over the absolute maximum voltage for the UE910 and damage it.



NOTE:

DON'T USE any Ni-Cd, Ni-MH, and Pb battery types directly connected with UE910. Their use can lead to overvoltage on the UE910 and damage it. USE ONLY Li-Ion battery types.

- A Bypass low ESR capacitor of adequate capacity must be provided in order to cut the current absorption peaks, a 100μF tantalum capacitor is usually suited.
- Make sure the low ESR capacitor (usually a tantalum one) is rated at least 10V.
- A protection diode should be inserted close to the power input, in order to save the UE910 from power polarity inversion. Otherwise the battery connector should be done in a way to avoid polarity inversions when connecting the battery.
- The battery capacity must be at least 500mAh in order to withstand the current peaks of 2A; the suggested capacity is from 500mAh to 1000mAh.



5.3.2 Thermal Design Guidelines

The thermal design for the power supply heat sink should be done with the following specifications:

- Average current consumption during HSDPA transmission @PWR level max :
800 mA
- *Average current during idle:*
1.5 mA



NOTE:

The average consumption during transmissions depends on the power level at which the device is requested to transmit by the network. The average current consumption hence varies significantly.

Considering the very low current during idle, especially if Power Saving function is enabled, it is possible to consider from the thermal point of view that the device absorbs current significantly only during calls.

If we assume that the device stays into transmission for short periods of time (let's say few minutes) and then remains for a quite long time in idle (let's say one hour), then the power supply has always the time to cool down between the calls and the heat sink could be smaller than the calculated one for 600mA maximum RMS current, or even could be the simple chip package (no heat sink).

Moreover in the average network conditions the device is requested to transmit at a lower power level than the maximum and hence the current consumption will be less than the 600mA, being usually around 150mA.

For these reasons the thermal design is rarely a concern and the simple ground plane where the power supply chip is placed can be enough to ensure a good thermal condition and avoid overheating.

For the heat generated by the UE910, you can consider it to be during transmission 1W max during CSD/VOICE calls and 2W max during class12 GPRS upload.

This generated heat will be mostly conducted to the ground plane under the UE910; you must ensure that your application can dissipate it.



5.3.3 Power Supply PCB layout Guidelines

As seen on the electrical design guidelines the power supply shall have a low ESR capacitor on the output to cut the current peaks and a protection diode on the input to protect the supply from spikes and polarity inversion. The placement of these components is crucial for the correct working of the circuitry. A misplaced component can be useless or can even decrease the power supply performances.

- The Bypass low ESR capacitor must be placed close to the Telit UE910 power input pads or in the case the power supply is a switching type it can be placed close to the inductor to cut the ripple provided the PCB trace from the capacitor to the UE910 is wide enough to ensure a dropless connection even during the 2A current peaks.
- The protection diode must be placed close to the input connector where the power source is drained.
- The PCB traces from the input connector to the power regulator IC must be wide enough to ensure no voltage drops occur when the 2A current peaks are absorbed. Note that this is not made in order to save power loss but especially to avoid the voltage drops on the power line at the current peaks frequency of 216 Hz that will reflect on all the components connected to that supply, introducing the noise floor at the burst base frequency. For this reason while a voltage drop of 300-400 mV may be acceptable from the power loss point of view, the same voltage drop may not be acceptable from the noise point of view. If your application doesn't have audio interface but only uses the data feature of the Telit UE910, then this noise is not so disturbing and power supply layout design can be more forgiving.
- The PCB traces to the UE910 and the Bypass capacitor must be wide enough to ensure no significant voltage drops occur when the 2A current peaks are absorbed. This is for the same reason as previous point. Try to keep this trace as short as possible.
- The PCB traces connecting the Switching output to the inductor and the switching diode must be kept as short as possible by placing the inductor and the diode very close to the power switching IC (only for switching power supply). This is done in order to reduce the radiated field (noise) at the switching frequency (100-500 kHz usually).
- The use of a good common ground plane is suggested.
- The placement of the power supply on the board should be done in such a way to guarantee that the high current return paths in the ground plane are not overlapped to any noise sensitive circuitry as the microphone amplifier/buffer or earphone amplifier.
- The power supply input cables should be kept separate from noise sensitive lines such as microphone/earphone cables.



6 GSM/WCDMA Radio Section

6.1 UE910 Product Variants

The following table is listing the main differences between the UE910 variants:

Product	Supported 2G Bands	Supported 3G bands
UE910-EUR	GSM 900, DCS1800	FDD B1, B8
UE910-EUD	GSM 900, DCS1800	FDD B1, B8
UE910-NAR	GSM 850, PCS 1900	FDD B2, B5
UE910-NAD	GSM 850, PCS 1900	FDD B2, B5

6.2 TX Output Power

UE910-EUR & UE910-EUD

Band	Power Class
GSM 900	4 (2W)
DCS 1800	1 (1W)
EDGE, 900 MHz	E2 (0.5W)
EDGE, 1800 MHz	Class E2 (0.4W)
WCDMA FDD B1, B8	Class 3 (0.25W)

UE910-NAR & UE910-NAD

Band	Power Class
GSM 850	4 (2W)
PCS 1900	1 (1W)
EDGE, 850 MHz	E2 (0.5W)
EDGE, 1900 MHz	Class E2 (0.4W)
WCDMA FDD B2, B5	Class 3 (0.25W)



6.3 Sensitivity

UE910-EUR and UE910-EUD

Band	Typical	Note
GSM 900	-109 dBm	BER Class II <2.44%
DCS1800	-110 dBm	BER Class II <2.44%
WCDMA FDD B1	-111 dBm	BER <0.1%
WCDMA FDD B8	-110 dBm	BER <0.1%

UE910-EUR and UE910-NAR

Band	Typical	Note
GSM 850	-109.5 dBm	BER Class II <2.44%
PCS 1900	-109.5 dBm	BER Class II <2.44%
WCDMA FDD B2	-110 dBm	BER <0.1%
WCDMA FDD B5	-111 dBm	BER <0.1%

6.4 GSM/WCDMA Antenna Requirements

The antenna connection and board layout design are the most important aspect in the full product design as they strongly affect the product overall performances, hence read carefully and follow the requirements and the guidelines for a proper design.

The antenna and antenna transmission line on PCB for a Telit UE910 device shall fulfil the following requirements:

ANTENNA REQUIREMENTS (UE910-EUR and UE910-EUD)	
Frequency range	Depending by frequency band(s) provided by the network operator, the customer shall use the most suitable antenna for that/those band(s)
Bandwidth (GSM/EDGE)	80 MHz in GSM900 170 MHz in DCS
Bandwidth (WCDMA)	250 MHz in WCDMA Band I 80 MHz in WCDMA Band VIII
Impedance	50 ohm
Input power	> 33dBm(2 W) peak power in GSM > 24dBm Average power in WCDMA
VSWR absolute max	≤ 10:1 (limit to avoid permanent damage)
VSWR recommended	≤ 2:1 (limit to fulfil all regulatory requirements)



ANTENNA REQUIREMENTS (UE910-NAR and UE910-NAD)	
Frequency range	Depending by frequency band(s) provided by the network operator, the customer shall use the most suitable antenna for that/those band(s)
Bandwidth (GSM/EDGE)	70 MHz in GSM850 140 MHz PCS band
Bandwidth (WCDMA)	140 MHz in WCDMA Band II 70 MHz in WCDMA Band V
Impedance	50 ohm
Input power	> 33dBm(2 W) peak power in GSM > 24dBm Average power in WCDMA
VSWR absolute max	≤ 10:1 (limit to avoid permanent damage)
VSWR recommended	≤ 2:1 (limit to fulfil all regulatory requirements)

When using the UE910, since there's no antenna connector on the module, the antenna must be connected to the UE910 antenna pad (K1) by means of a transmission line implemented on the PCB.

In the case the antenna is not directly connected at the antenna pad of the UE910, then a PCB line is needed in order to connect with it or with its connector.

This transmission line shall fulfil the following requirements:

ANTENNA LINE ON PCB REQUIREMENTS	
Characteristic Impedance	50 ohm
Max Attenuation	0,3 dB
Coupling with other signals shall be avoided	
Cold End (Ground Plane) of antenna shall be equipotential to the UE910 ground pins	

Furthermore if the device is developed for the US market and/or Canada market, it shall comply with the FCC and/or IC approval requirements:

This device is to be used only for mobile and fixed application. In order to re-use the Telit FCC/IC approvals the antenna(s) used for this transmitter must be installed to provide a separation distance of at least 20 cm from all persons and must not be co-located or operating in conjunction with any other antenna or transmitter. If antenna is installed with a separation distance of less than 20 cm from all persons or is co-located or operating in conjunction with any other antenna or transmitter then additional FCC/IC testing may be required. End-Users must be provided with transmitter operation conditions for satisfying RF exposure compliance.

Antennas used for this OEM module must not exceed the gains for mobile and fixed operating configurations as described in "FCC/IC Regulatory notices" chapter.



6.5 GSM/WCDMA - PCB line Guidelines

- Make sure that the transmission line's characteristic impedance is 50ohm ;
- Keep line on the PCB as short as possible, since the antenna line loss shall be less than around 0,3 dB;
- Line geometry should have uniform characteristics, constant cross section, avoid meanders and abrupt curves;
- Any kind of suitable geometry / structure (Microstrip, Stripline, Coplanar, Grounded Coplanar Waveguide...) can be used for implementing the printed transmission line afferent the antenna;
- If a Ground plane is required in line geometry, that plane has to be continuous and sufficiently extended, so the geometry can be as similar as possible to the related canonical model;
- Keep, if possible, at least one layer of the PCB used only for the Ground plane; If possible, use this layer as reference Ground plane for the transmission line;
- It is wise to surround (on both sides) the PCB transmission line with Ground, avoid having other signal tracks facing directly the antenna line track.
- Avoid crossing any un-shielded transmission line footprint with other signal tracks on different layers;
- The ground surrounding the antenna line on PCB has to be strictly connected to the main Ground Plane by means of via holes (once per 2mm at least), placed close to the ground edges facing line track;
- Place EM noisy devices as far as possible from UE910 antenna line;
- Keep the antenna line far away from the UE910 power supply lines;
- If EM noisy devices are present on the PCB hosting the UE910, such as fast switching ICs, take care of the shielding of the antenna line by burying it inside the layers of PCB and surround it with Ground planes, or shield it with a metal frame cover.
- If EM noisy devices are not present around the line, the use of geometries like Microstrip or Grounded Coplanar Waveguide has to be preferred, since they typically ensure less attenuation if compared to a Stripline having same length;

6.6 GSM/WCDMA Antenna - Installation Guidelines

- Install the antenna in a place covered by the GSM signal.
- If the device antenna is located greater then 20cm from the human body and there are no co-located transmitter then the Telit FCC/IC approvals can be re-used by the end product
- If the device antenna is located less than 20cm from the human body or there are no co-located transmitter then the additional FCC/IC testing may be required for the end product (Telit FCC/IC approvals cannot be reused)
- Antenna shall not be installed inside metal cases
- Antenna shall be installed also according Antenna manufacturer instructions.



7 Logic level specifications

The following table shows the logic level specifications used in the UE910 interface circuits:

Absolute Maximum Ratings -Not Functional

Parameter	Min	Max
Input level on any digital pin (CMOS 1.8) with respect to ground	-0.3V	3.1V

Operating Range - Interface levels (1.8V CMOS)

Level	Min	Max
Input high level	1.5V	1.9V
Input low level	0V	0.35V
Output high level	1.6V	1.9
Output low level	0V	0.2V

Current characteristics (Preliminary values)

Level	Typical
Output Current	1mA
Input Current	1uA



7.1 Unconditional Shutdown

Signal	Function	I/O	PAD
HW_SHUTDOWN*	Unconditional Shutdown of the Module	I	R13

HW_SHUTDOWN* is used to unconditionally shutdown the UE910. Whenever this signal is pulled low, the UE910 is reset. When the device is reset it stops any operation. After the release of the line, the UE910 is unconditionally shut down, without doing any detach operation from the network where it is registered. This behaviour is not a proper shut down because any GSM device is requested to issue a detach request on turn off. For this reason the HW_SHUTDOWN* signal must not be used to normally shutting down the device, but only as an emergency exit in the rare case the device remains stuck waiting for some network response. The HW_SHUTDOWN* is internally controlled on start-up to achieve always a proper power-on reset sequence, so there's no need to control this pin on start-up. It may only be used to reset a device already on that is not responding to any command.



NOTE:

Do not use this signal to power off the UE910. Use the ON/OFF signal to perform this function or the AT#SHDN command.

Unconditional Shutdown Signal Operating levels:

Signal	Min	Max
HW_SHUTDOWN* Input high	1.5V	1.9V
HW_SHUTDOWN* Input low	0V	0.35V

* this signal is internally pulled up so the pin can be left floating if not used.

If unused, this signal may be left unconnected. If used, then it **must always be connected with an open collector transistor**, to permit to the internal circuitry the power on reset and under voltage lockout functions.



8 USB Port

The UE910 includes one integrated universal serial bus (USB) transceiver:

- USB 2.0 HS

8.1 USB 2.0 HS

This port is compliant with the USB 2.0 HS only.
The USB 1.1 is not supported.

The following table is listing the available signals:

PAD	Signal	I/O	Function	Type	NOTE
B15	USB_D+	I/O	USB differential Data (+)	3.3V	
C15	USB_D-	I/O	USB differential Data (-)	3.3V	
A13	VUSB	AI	Power sense for the internal USB transceiver.	5V	Accepted range: 4.4V to 5.25V

The USB_DPLUS and USB_DMINUS signals have a clock rate of 480 MHz. The signal traces should be routed carefully. Trace lengths, number of vias and capacitive loading should be minimized. The impedance value should be as close as possible to 90 Ohms differential.



NOTE:

VUSB pin should be disconnected before activating the Power Saving Mode.



9 SPI port

The UE910 Module is provided by one SPI interface.

The SPI interface defines two handshake lines for flow control and mutual wake-up of the modem and the Application Processor: SRDY (slave ready) and MRDY (master ready).

The AP has the master role, that is, it supplies the clock.

The following table is listing the available signals:

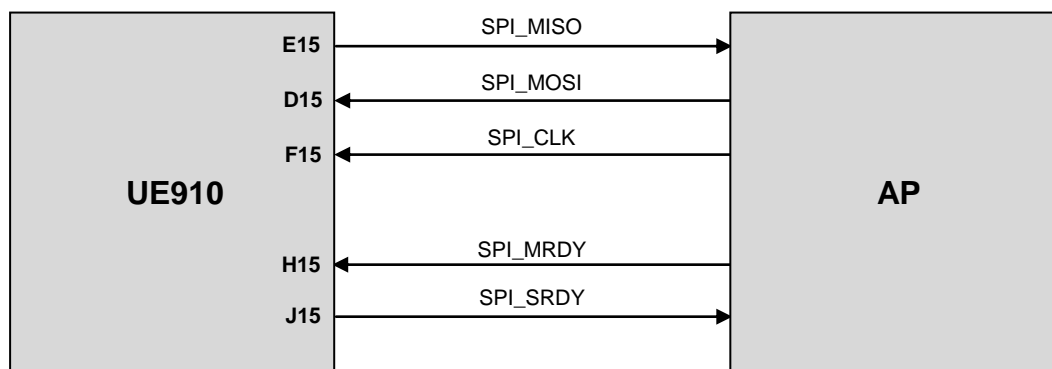
PAD	Signal	I/O	Function	Type	COMMENT
D15	SPI_MOSI	I	SPI MOSI	CMOS 1.8V	Shared with TX_AUX
E15	SPI_MISO	O	SPI MISO	CMOS 1.8V	Shared with RX_AUX
F15	SPI_CLK	I	SPI Clock	CMOS 1.8V	
H15	SPI_MRDY	I	SPI_MRDY	CMOS 1.8V	
J15	SPI_SRDY	O	SPI_SRDY	CMOS 1.8V	



NOTE:

Due to the shared functions, when the SPI port is used, it is not possible to use the AUX_UART port.

9.1 SPI Connections



10 Serial Ports

The UE910 module is provided with by 2 Asynchronous serial ports:

- MODEM SERIAL PORT 1 (Main)
- MODEM SERIAL PORT 2 (Auxiliary)

Several configurations can be designed for the serial port on the OEM hardware, but the most common are:

- RS232 PC com port
- microcontroller UART @ 1.8V (Universal Asynchronous Receive Transmit)
- microcontroller UART @ 5V or other voltages different from 1.8V

Depending from the type of serial port on the OEM hardware a level translator circuit may be needed to make the system work.

On the UE910 the ports are CMOS 1.8.

The electrical characteristics of the Serial ports are explained in the following tables:

Absolute Maximum Ratings -Not Functional

Parameter	Min	Max
Input level on any digital pin (CMOS 1.8) with respect to ground	-0.3V	3.1V

Operating Range - Interface levels (1.8V CMOS)

Level	Min	Max
Input high level	1.5V	1.9V
Input low level	0V	0.35V
Output high level	1.6V	1.9
Output low level	0V	0.2V



10.1 MODEM SERIAL PORT 1 (USIF0)

The serial port 1 on the UE910 is a +1.8V UART with all the 7 RS232 signals. It differs from the PC-RS232 in the signal polarity (RS232 is reversed) and levels.

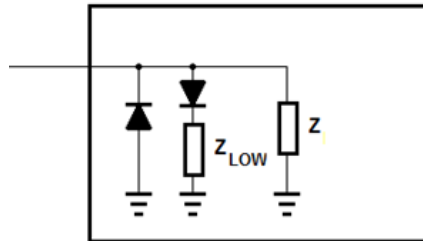
RS232 Pin #	Signal	UE910 Pad Number	Name	Usage
1	C109/DCD	N14	Data Carrier Detect	Output from the UE910 that indicates the carrier presence
2	C104/RXD	M15	Transmit line *see Note	Output transmit line of UE910 UART
3	C103/TXD	N15	Receive line *see Note	Input receive of the UE910 UART
4	C108/DTR	M14	Data Terminal Ready	Input to the UE910 that controls the DTE READY condition
5	GND	M12, B13, P13, E14 ...	Ground	Ground
6	C107/DSR	P14	Data Set Ready	Output from the UE910 that indicates the module is ready
7	C106/CTS	P15	Clear to Send	Output from the UE910 that controls the Hardware flow control
8	C105/RTS	L14	Request to Send	Input to the UE910 that controls the Hardware flow control
9	C125/RING	R14	Ring Indicator	Output from the UE910 that indicates the incoming call condition

The following table shows the typical input value of internal pull-up resistors for RTS DTR TXD and TXD input lines and in all module states:

STATE	RTS DTR TXD	
		Pull up tied to
ON	5K to 12K	1V8
OFF	Schottky diode	
RESET	Schottky diode	
POWER SAVING	5K to 12K	1V8



The input line ON_OFF and RESET state can be treated as in picture below



NOTE:

According to V.24, some signal names are referred to the application side, therefore on the UE910 side these signal are on the opposite direction:
TXD on the application side will be connected to the receive line (here named C103/TXD)
RXD on the application side will be connected to the transmit line (here named C104/RXD)



NOTE:

For a minimum implementation, only the TXD, RXD lines can be connected, the other lines can be left open provided a software flow control is implemented.



NOTE:

In order to avoid a back powering effect it is recommended to avoid having any HIGH logic level signal applied to the digital pins of the UE910 when the module is powered off or during an ON/OFF transition.



10.2 MODEM SERIAL PORT 2 (USIF1)

The secondary serial port on the UE910 is a CMOS 1.8V with only the RX and TX signals.

The signals of the UE910 serial port are:

PAD	Signal	I/O	Function	Type	COMMENT
D15	TX_AUX	O	Auxiliary UART (TX Data to DTE)	CMOS 1.8V	SHARED WITH SPI_MTSR
E15	RX_AUX	I	Auxiliary UART (RX Data from DTE)	CMOS 1.8V	SHARED WITH SPI_MRST

The signal 1V8_SEL must be connected to the VDD_IO1 input pin in order to use this port.



NOTE:

Due to the shared pins, when the Modem Serial port is used, it is not possible to use the SPI functions.



NOTE:

In order to avoid a back powering effect it is recommended to avoid having any HIGH logic level signal applied to the digital pins of the UE910 when the module is powered off or during an ON/OFF transition.



10.3 RS232 level translation

In order to interface the UE910 with a PC com port or a RS232 (EIA/TIA-232) application a level translator is required. This level translator must:

- invert the electrical signal in both directions;
- Change the level from 0/1.8V to +15/-15V.

Actually, the RS232 UART 16450, 16550, 16650 & 16750 chipsets accept signals with lower levels on the RS232 side (EIA/TIA-562), allowing a lower voltage-multiplying ratio on the level translator. Note that the negative signal voltage must be less than 0V and hence some sort of level translation is always required.

The simplest way to translate the levels and invert the signal is by using a single chip level translator. There are a multitude of them, differing in the number of drivers and receivers and in the levels (be sure to get a true RS232 level translator not a RS485 or other standards).

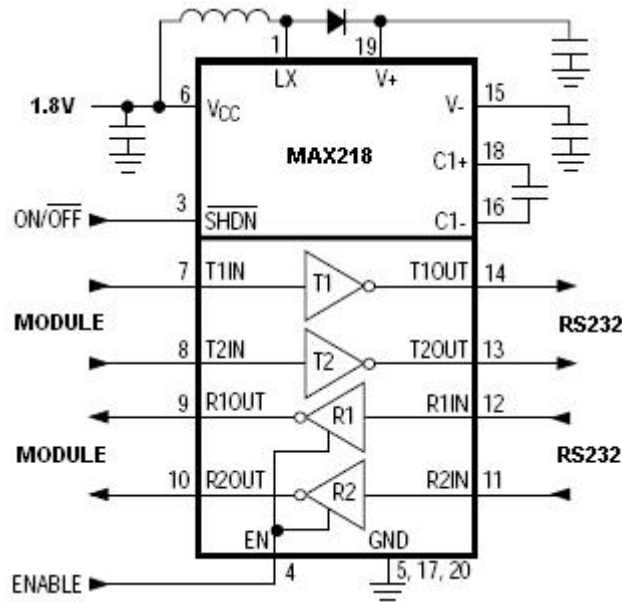
By convention the driver is the level translator from the 0-1.8V UART to the RS232 level. The receiver is the translator from the RS232 level to 0-1.8V UART.

In order to translate the whole set of control lines of the UART you will need:

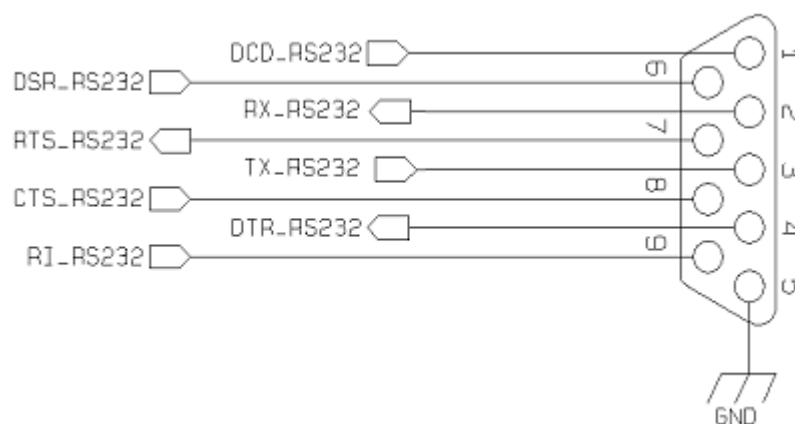
- 5 drivers
- 3 receivers



An example of RS232 level adaptation circuitry could be done using a MAXIM transceiver (MAX218)
In this case the chipset is capable to translate directly from 1.8V to the RS232 levels (Example done on 4 signals only).



The RS232 serial port lines are usually connected to a DB9 connector with the following layout:



11 Audio Section Overview

The UE910 is provided by two main interfaces:

- Analog Audio Path
- Digital Audio Path

The UE910 variants supporting the Audio are listed in the following table::

Product	Audio	Notes
UE910-EUR	YES	
UE910-EUD	NO	Reserved Pads:.,B2, B3, B4, B5
UE910-NAR	YES	
UE910-NAD	NO	Reserved Pads:.,B2, B3, B4, B5



NOTE:

The two Paths could not be used in parallel; If the Analog Voice lines are selected, the DVI interface is disabled and Vice versa.

11.1 Analog Voice Interface

The Base Band Chip of the UE910 provides one differential input for audio to be transmitted (Uplink) and a balanced BTL output for audio to be received (downlink).

The Signals are available on the following Pads:

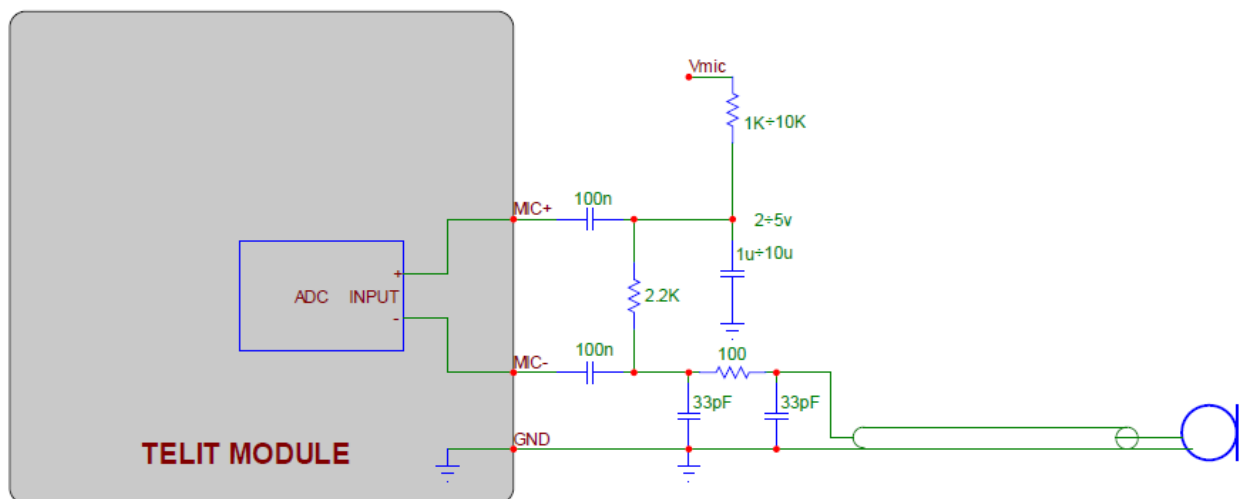
PAD	Signal	I/O	Function	Note
B2	EAR+	O	Analog Voice Interface (EAR+)	
B3	EAR-	O	Analog Voice Interface (EAR-)	
B4	MIC+	I	Analog Voice Interface (MIC+)	
B5	MIC-	I	Analog Voice Interface (MIC-)	



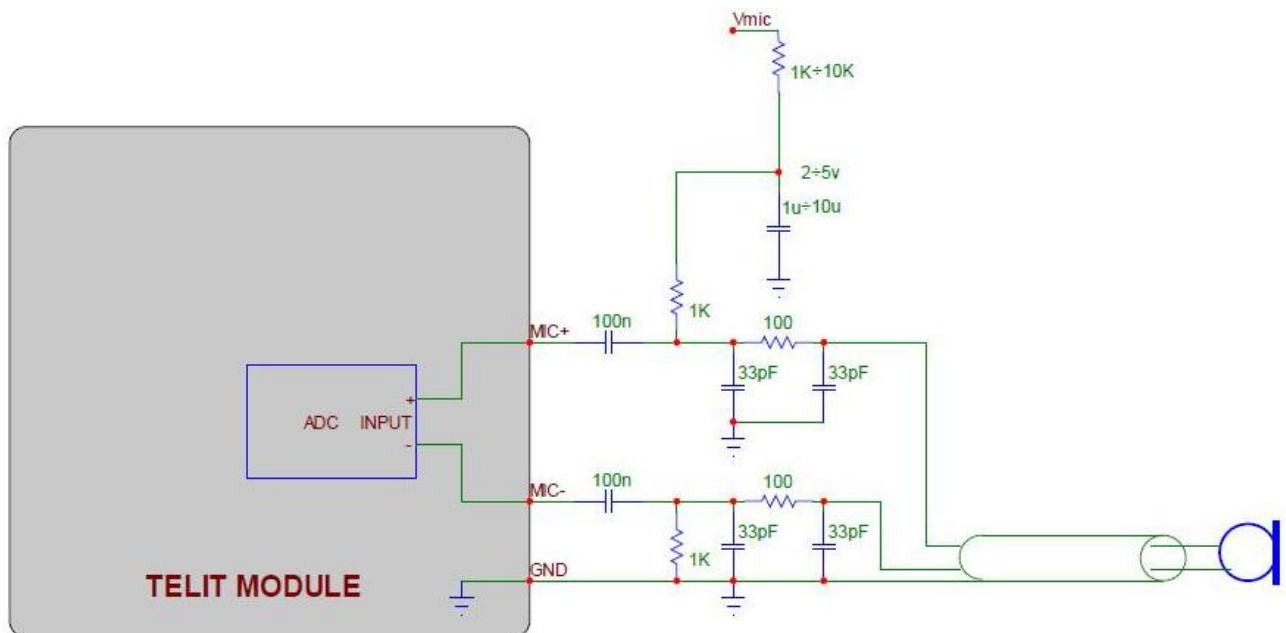
11.1.1 MIC connection

The bias for the microphone has to be as clean as possible; the first connection (single ended) is preferable since the Vmic noise and ground noise are fed into the input as common mode and then rejected. This sounds strange; usually the connection to use in order to reject the common mode is the balanced one. In this situation we have to recall that the microphone is a sound to current transducer, so the resistor is the current to tension transducer, so finally the resistor feeds the input in balanced way even if the configuration, from a microphone point of view, seems to be un-balanced.

The following images show some connection examples:



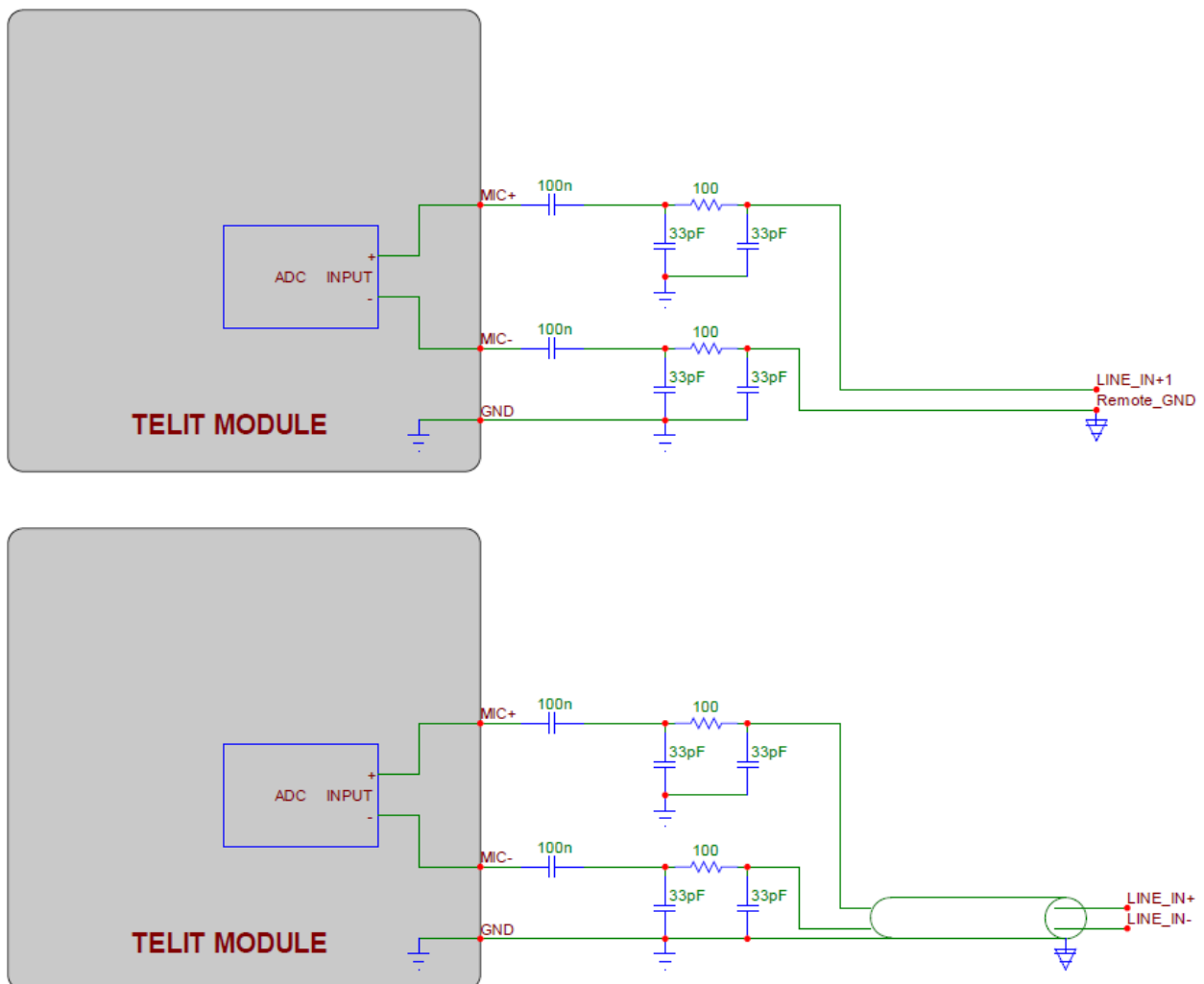
If a "balanced way" is anyway desired, much more care has to be taken to Vmic noise and ground noise; also the 33pF-100Ohm-33pF RF-filter has to be doubled (one each wire).



TIP: Since the J-FET transistor inside the microphone acts as RF-detector-amplifier, ask vendor for a microphone with anti-EMI capacitor (usually a 33pF or a 10pF capacitor placed across the output terminals inside the case).



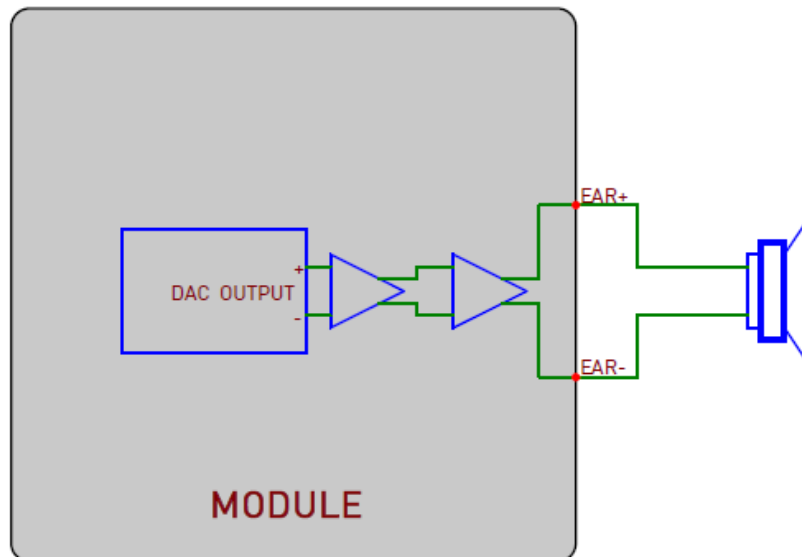
11.1.2 LINE IN Connection



If the audio source is not a mike but a different device, the following connections can be done. Place 100nF capacitor in series with both inputs, so the DC current is blocked. Place the 33pF-100Ohm-33pF RF-filter, in order to prevent some EMI field to get into the high impedance high gain MIC inputs. Since the input is differential, the common mode voltage noise between the two (different) ground is rejected, provided that both MIC+ & MIC- are connected directly onto the source.



11.1.3 EAR Connection



The audio output of the UE910 is balanced, this is helpful to double the level and to reject common mode (click and pop are common mode and therefore rejected). These outputs can drive directly a small loudspeaker with electrical impedance not lower than 16 Ohm.



TIP: in order to get the maximum audio level at a given output voltage level (dBspl/Vrms), the following breaking through procedure can be used. Have the loudspeaker as close as you can to the listener (this simplify also the echo cancelling); choose the loudspeaker with the higher sensitivity (dBspl per W); choose loudspeakers with the impedance close to the limit, in order to feed more power inside the transducer (it increases the W/Vrms ratio). If this were not enough, an external amplifier should be used.



11.2 Digital Voice Interface

The UE910 Module is provided by one DVI digital audio interface.

11.2.1 Electrical Characteristics

The product is providing the Digital Voice Interface (DVI) on the following Pins:

Digital Voice Interface (DVI)					
PAD	Signal	I/O	Function	Note	Type
B9	DVI_WA0	I/O	Digital Voice Interface (Word Alignment / LRCLK)		CMOS 1.8V
B6	DVI_RX	I	Digital Voice Interface (RX)		CMOS 1.8V
B7	DVI_TX	O	Digital Voice Interface (TX)		CMOS 1.8V
B8	DVI_CLK	I/O	Digital Voice Interface (BCLK)		CMOS 1.8V

11.2.2 CODEC Examples

Please refer to the Digital Audio Application note.



12 General Purpose I/O

The UE910 module is provided by a set of Digital Input / Output pins

Input pads can only be read; they report the digital value (high or low) present on the pad at the read time.

Output pads can only be written or queried and set the value of the pad output.

An alternate function pad is internally controlled by the UE910 firmware and acts depending on the function implemented.

The following table shows the available GPIO on the UE910:

PAD	Signal	I/O	Function	Type	Drive strength	Default State	Note
C8	GPIO_01	I/O	Configurable GPIO	CMOS 1.8V	1 mA	INPUT	Alternate function STAT LED
C9	GPIO_02	I/O	Configurable GPIO	CMOS 1.8V	1 mA	INPUT	
C10	GPIO_03	I/O	Configurable GPIO	CMOS 1.8V	1 mA	INPUT	
C11	GPIO_04	I/O	Configurable GPIO	CMOS 1.8V	1 mA	INPUT	
B14	GPIO_05	I/O	Configurable GPIO	CMOS 1.8V	1 mA	INPUT	
C12	GPIO_06	I/O	Configurable GPIO	CMOS 1.8V	1 mA	INPUT	
C13	GPIO_07	I/O	Configurable GPIO	CMOS 1.8V	1 mA	INPUT	
K15	GPIO_08	I/O	Configurable GPIO	CMOS 1.8V	1 mA	INPUT	
L15	GPIO_09	I/O	Configurable GPIO	CMOS 1.8V	1 mA	INPUT	
G15	GPIO_10	I/O	Configurable GPIO	CMOS 1.8V	1 mA	INPUT	



12.1 GPIO Logic levels

Where not specifically stated, all the interface circuits work at 1.8V CMOS logic levels.
The following table shows the logic level specifications used in the UE910 interface circuits:

Absolute Maximum Ratings -Not Functional

Parameter	Min	Max
Input level on any digital pin (CMOS 1.8) with respect to ground	-0.3V	3.1V

Operating Range - Interface levels (1.8V CMOS)

Level	Min	Max
Input high level	1.5V	1.9V
Input low level	0V	0.35V
Output high level	1.6V	1.9
Output low level	0V	0.2V



12.2 Using a GPIO Pad as INPUT

The GPIO pads, when used as inputs, can be connected to a digital output of another device and report its status, provided this device has interface levels compatible with the 1.8V CMOS levels of the GPIO.

If the digital output of the device to be connected with the GPIO input pad has interface levels different from the 1.8V CMOS, then it can be buffered with an open collector transistor with a 47K pull up to 1.8V.



NOTE:

In order to avoid a back powering effect it is recommended to avoid having any HIGH logic level signal applied to the digital pins of the UE910 when the module is powered off or during an ON/OFF transition.

12.3 Using a GPIO Pad as OUTPUT

The GPIO pads, when used as outputs, can drive 1.8V CMOS digital devices or compatible hardware. When set as outputs, the pads have a push-pull output and therefore the pull-up resistor may be omitted.



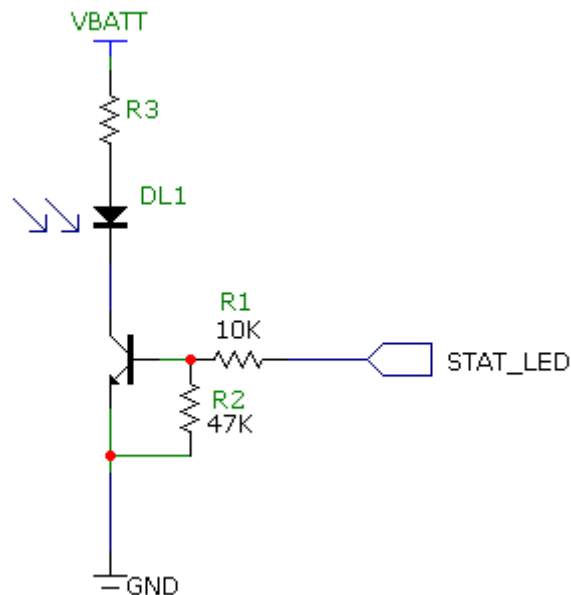
12.4 Indication of network service availability

The STAT_LED pin status shows information on the network service availability and Call status. The function is available as alternate function of GPIO_01 (to be enabled using the AT#GPIO=1,0,2 command).

In the UE910 modules, the STAT_LED needs an external transistor to drive an external LED. Therefore, the status indicated in the following table is reversed with respect to the pin status.

LED status	Device Status
Permanently off	Device off
Fast blinking (Period 1s, Ton 0,5s)	Net search / Not registered / turning off
Slow blinking (Period 3s, Ton 0,3s)	Registered full service
Permanently on	a call is active

A schematic example could be:



12.5 RTC Bypass out

The VRTC pin brings out the Real Time Clock supply, which is separate from the rest of the digital part, allowing having only RTC going on when all the other parts of the device are off. To this power output a backup capacitor can be added in order to increase the RTC autonomy during power off of the battery. NO Devices must be powered from this pin.

In order to keep the RTC active when VBATT is not supplied it is possible to back up the RTC section connecting a **backup circuit** to the related VRTC signal (pad C14 on module's Pinout).

For additional details on the Backup solutions please refer to the related application note (xE910 RTC Backup Application Note)

12.6 External SIM Holder Implementation

Please refer to the related User Guide (SIM Holder Design Guides, 80000NT10001a).

12.7 VAUX Power Output

A regulated power supply output is provided in order to supply small devices from the module. The signal is present on Pad R11 and it is in common with the PWRMON (module powered ON indication) function.

This output is always active when the module is powered ON.

The operating range characteristics of the supply are:

Level	Min	Typical	Max
Output voltage	1.78V	1.80V	1.82V
Output current	-	-	60mA
Output bypass capacitor (inside the module)		1uF	



12.8 ADC Converter

12.8.1 Description

The UE910 is provided by one AD converter. It is able to read a voltage level in the range of 0÷1.2 volts applied on the ADC pin input, store and convert it into 10 bit word.
 The following table is showing the ADC characteristics:

	Min	Typical	Max	Units
Input Voltage range	0	-	1.2	Volt
AD conversion	-	-	10	bits
Input Resistance	1	-	-	Mohm
Input Capacitance	-	1	-	pF

The input line is named as **ADC_IN1** and it is available on Pad **B1**

12.8.2 Using ADC Converter

An AT command is available to use the ADC function.

The command is **AT#ADC=1,2**

The read value is expressed in mV

Refer to SW User Guide or AT Commands Reference Guide for the full description of this function.

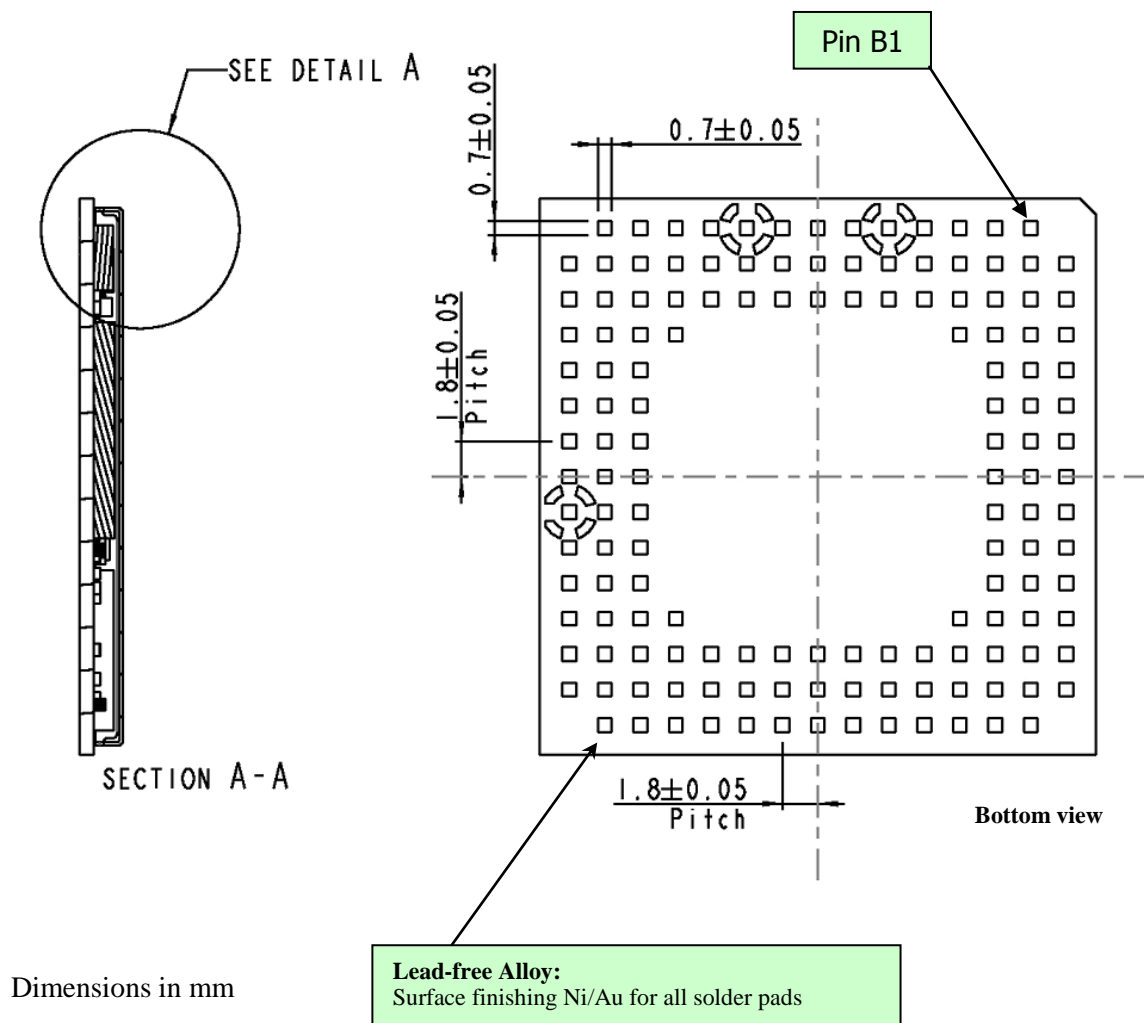


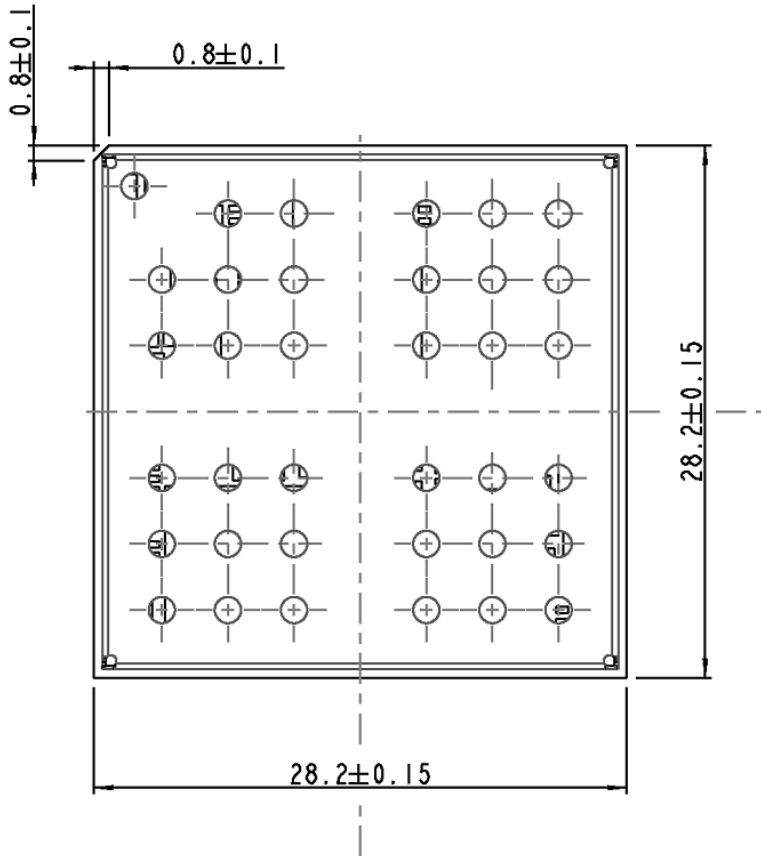
13 Mounting the UE910 on the application

13.1 General

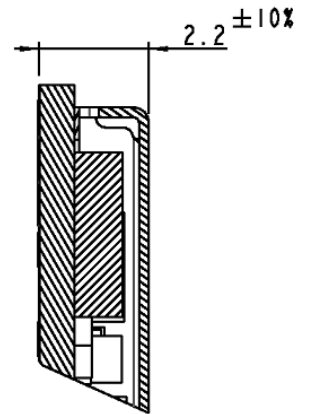
The UE910 modules have been designed in order to be compliant with a standard lead-free SMT process.

13.2 Module finishing & dimensions

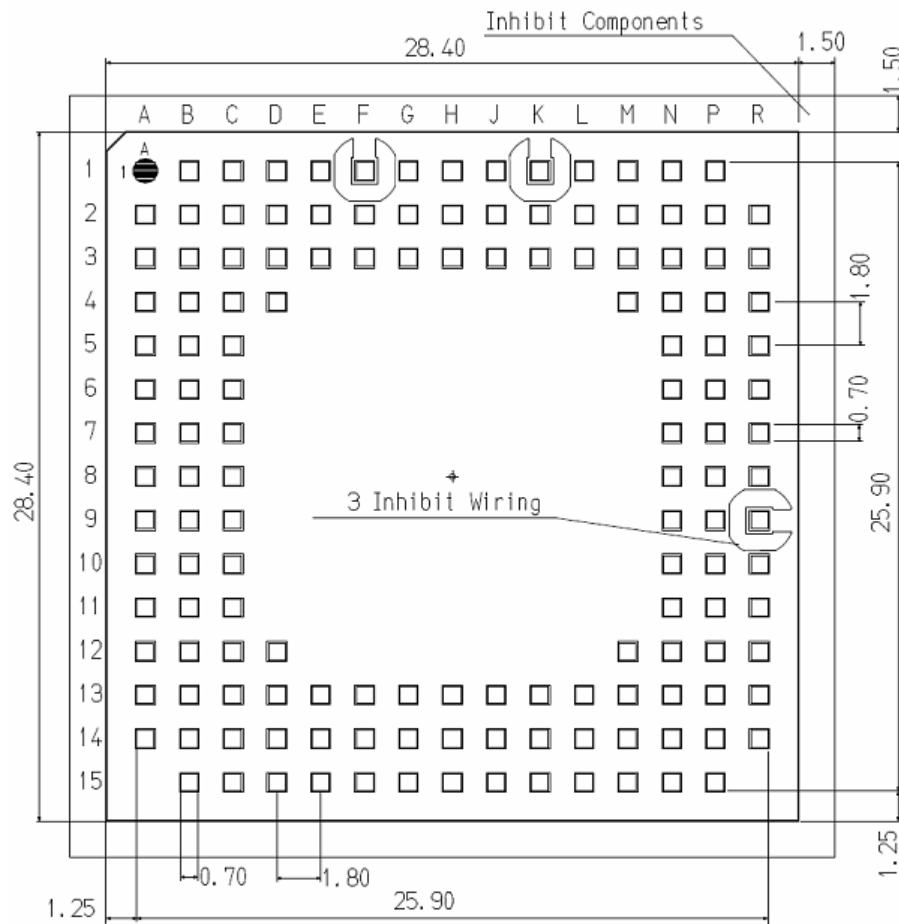




DETAIL A
SCALE 8:1



13.3 Recommended foot print for the application



TOP VIEW

In order to easily rework the UE910 is suggested to consider on the application a 1.5 mm placement inhibit area around the module.

It is also suggested, as common rule for an SMT component, to avoid having a mechanical part of the application in direct contact with the module.



NOTE:

In the customer application, the region under WIRING INHIBIT (see figure above) must be clear from signal or ground paths.

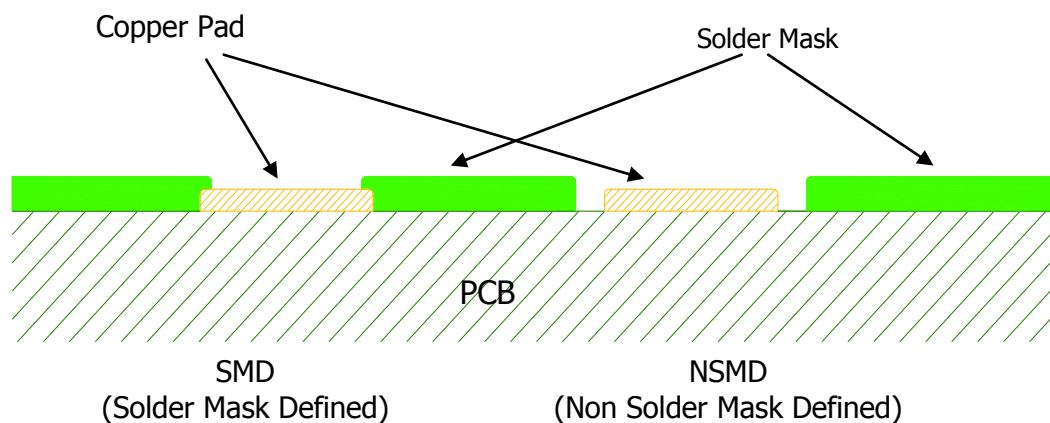


13.4 Stencil

Stencil's apertures layout can be the same of the recommended footprint (1:1), we suggest a thickness of stencil foil $\geq 120 \mu\text{m}$ (suggested $150 \mu\text{m}$).

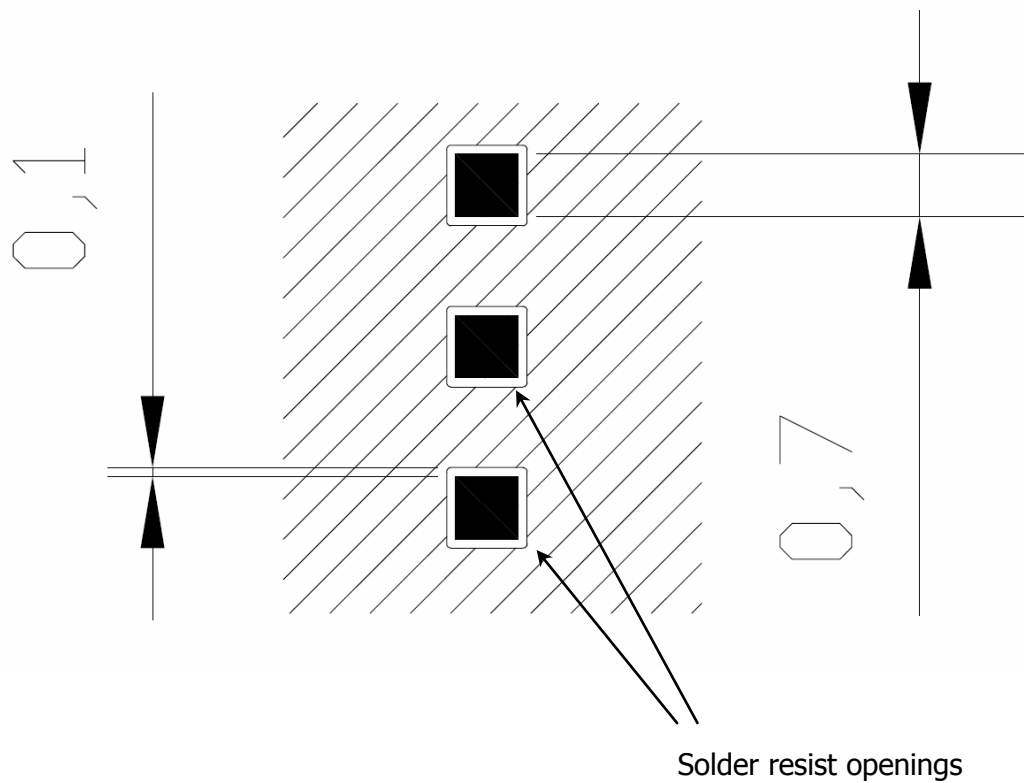
13.5 PCB pad design

Non solder mask defined (NSMD) type is recommended for the solder pads on the PCB.

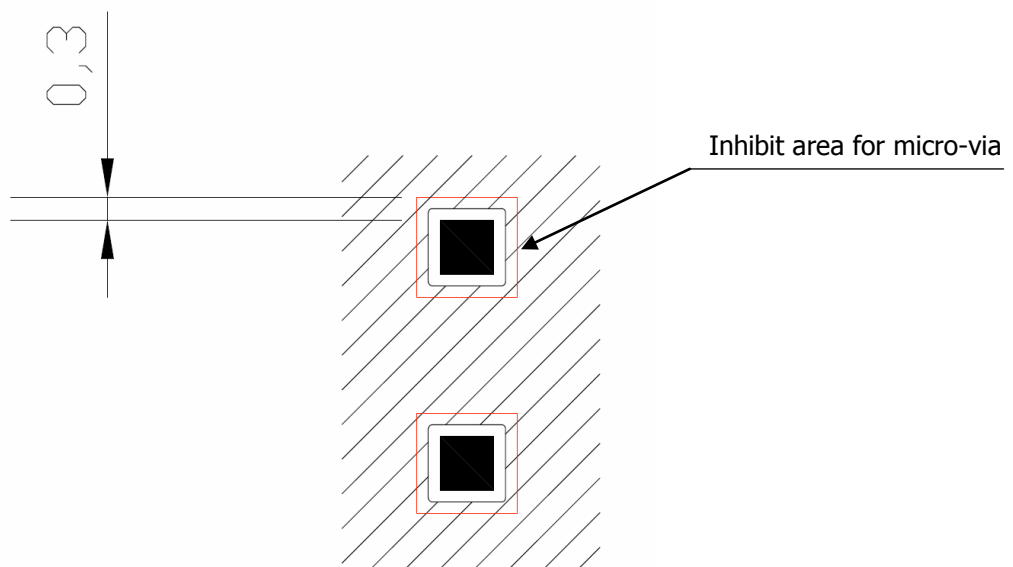


13.6 PCB pad dimensions

The recommendation for the PCB pads dimensions are described in the following image (dimensions in mm)



It is not recommended to place via or micro-via not covered by solder resist in an area of 0,3 mm around the pads unless it carries the same signal of the pad itself (see following figure).



Holes in pad are allowed only for blind holes and not for through holes.

Recommendations for PCB pad surfaces:

Finish	Layer thickness [μm]	Properties
Electro-less Ni / Immersion Au	3 –7 / 0.05 – 0.15	good solder ability protection, high shear force values

The PCB must be able to resist the higher temperatures which are occurring at the lead-free process. This issue should be discussed with the PCB-supplier. Generally, the wettability of tin-lead solder paste on the described surface plating is better compared to lead-free solder paste.

It is not necessary to panel the application’s PCB, however in that case it is suggested to use milled contours and predrilled board breakouts; scoring or v-cut solutions are not recommended.



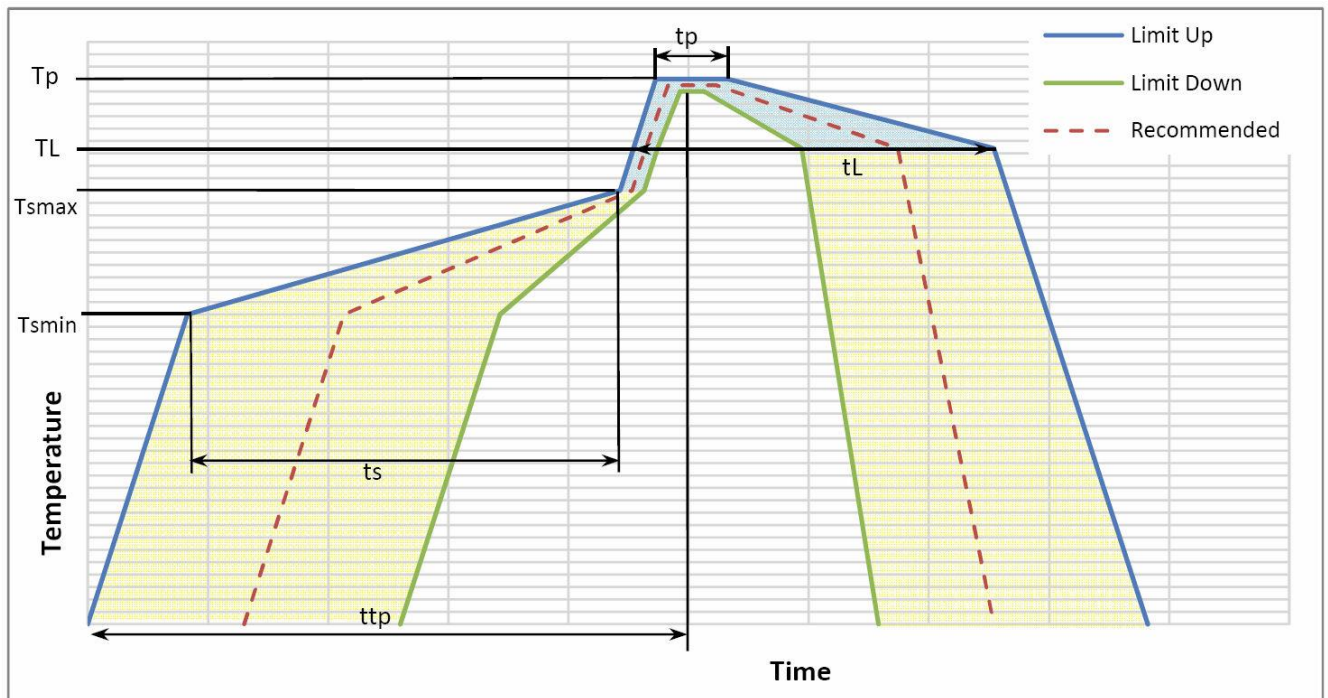
13.7 Solder paste

	Lead free
Solder paste	Sn/Ag/Cu

We recommend using only “no clean” solder paste in order to avoid the cleaning of the modules after assembly.

13.7.1 UE910 Solder reflow

Recommended solder reflow profile:



Profile Feature	Pb-Free Assembly
Average ramp-up rate (T_L to T_P)	3°C/second max
Preheat	
– Temperature Min (T_{smin})	150°C
– Temperature Max (T_{smax})	200°C
– Time (min to max) (ts)	60-180 seconds
T_{smax} to T_L	
– Ramp-up Rate	3°C/second max
Time maintained above:	
– Temperature (T_L)	217°C
– Time (t_L)	60-150 seconds
Peak Temperature (T_P)	245 +0/-5°C
Time within 5°C of actual Peak Temperature (t_P)	10-30 seconds
Ramp-down Rate	6°C/second max.
Time 25°C to Peak Temperature	8 minutes max.



NOTE:

All temperatures refer to topside of the package, measured on the package body surface



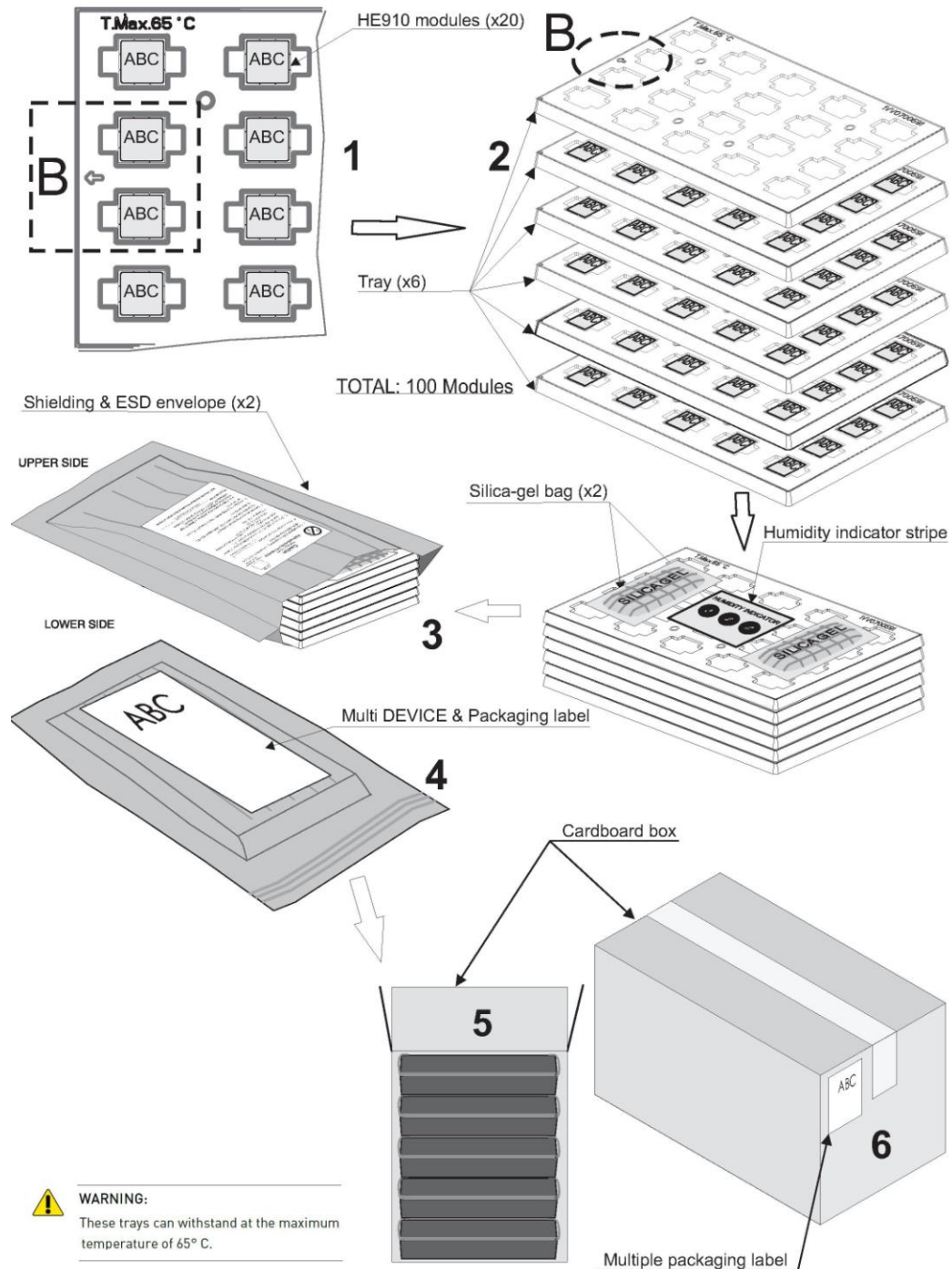
WARNING:

The UE910 module withstands one reflow process only.

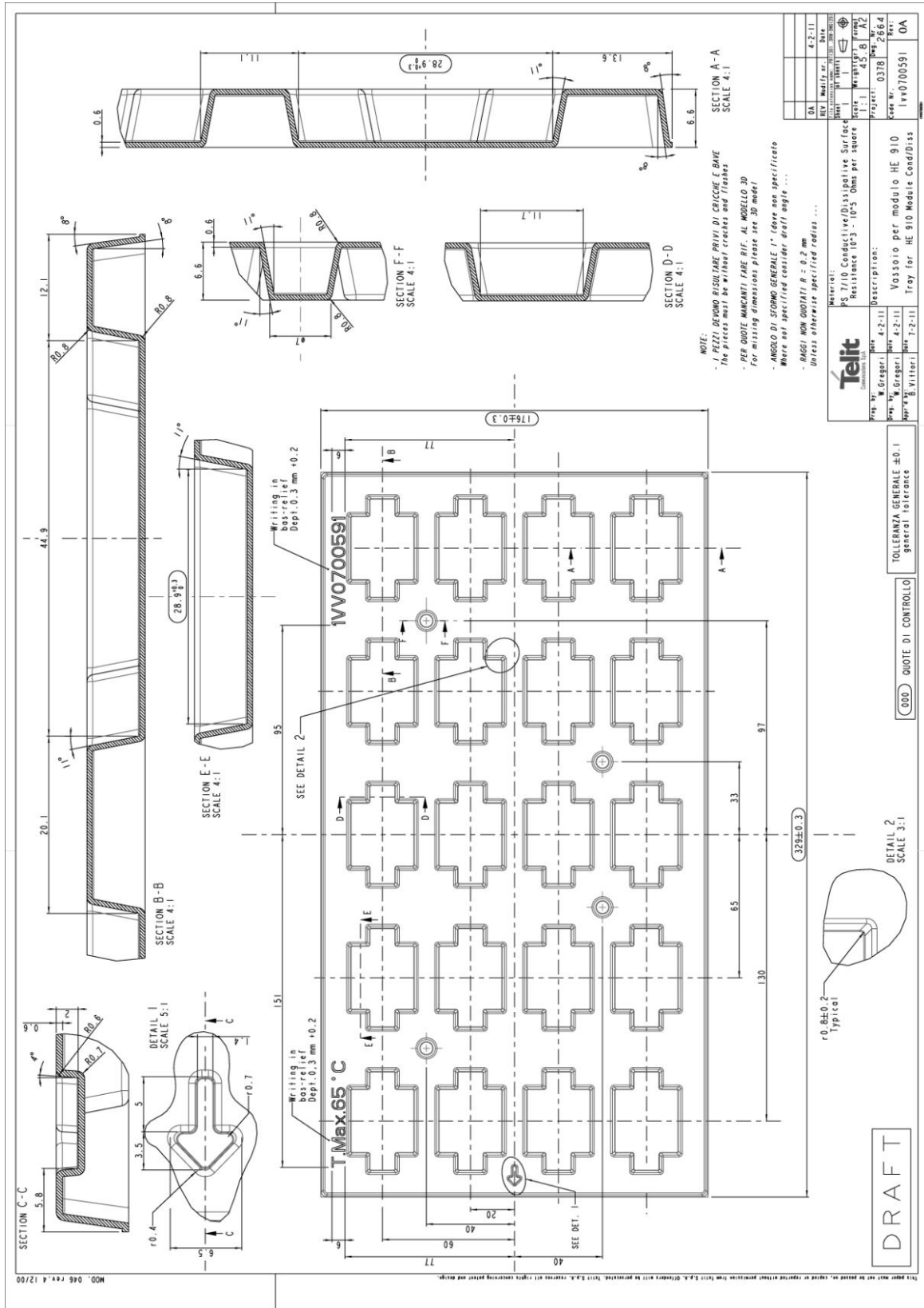


13.8 Packing system

The UE910 modules are packaged on trays of **20** pieces each. These trays can be used in SMT processes for pick & place handling.



UE910 Hardware User Guide 1VV0301012 Rev.2 – 24-04-2013



13.9 Moisture sensitivity

The UE910 is a Moisture Sensitive Device level 3, in accordance with standard IPC/JEDEC J-STD-020, take care of all the relative requirements for using this kind of components.

Moreover, the customer has to take care of the following conditions:

- a) Calculated shelf life in sealed bag: 12 months at <math><40^{\circ}\text{C}</math> and <math><90\%</math> relative humidity (RH).
- b) Environmental condition during the production: 30°C / 60% RH according to IPC/JEDEC J-STD-033A paragraph 5.
- c) The maximum time between the opening of the sealed bag and the reflow process must be 168 hours if condition b) "IPC/JEDEC J-STD-033A paragraph 5.2" is respected.
- d) Baking is required if conditions b) or c) are not respected.
- e) Baking is required if the humidity indicator inside the bag indicates 10% RH or more.



14 SAFETY RECOMMENDATIONS

READ CAREFULLY

Be sure the use of this product is allowed in the country and in the environment required. The use of this product may be dangerous and has to be avoided in the following areas:

- Where it can interfere with other electronic devices in environments such as hospitals, airports, aircrafts, etc
- Where there is risk of explosion such as gasoline stations, oil refineries, etc

It is responsibility of the user to enforce the country regulation and the specific environment regulation.

Do not disassemble the product; any mark of tampering will compromise the warranty validity.

We recommend following the instructions of the hardware user guides for a correct wiring of the product. The product has to be supplied with a stabilized voltage source and the wiring has to be conforming to the security and fire prevention regulations.

The product has to be handled with care, avoiding any contact with the pins because electrostatic discharges may damage the product itself. Same cautions have to be taken for the SIM, checking carefully the instruction for its use. Do not insert or remove the SIM when the product is in power saving mode.

The system integrator is responsible of the functioning of the final product; therefore, care has to be taken to the external components of the module, as well as of any project or installation issue, because the risk of disturbing the GSM network or external devices or having impact on the security. Should there be any doubt, please refer to the technical documentation and the regulations in force.

Every module has to be equipped with a proper antenna with specific characteristics. The antenna has to be installed with care in order to avoid any interference with other electronic devices and has to guarantee a minimum distance from the body (20 cm). In case of this requirement cannot be satisfied, the system integrator has to assess the final product against the SAR regulation.

The European Community provides some Directives for the electronic equipments introduced on the market. All the relevant information's are available on the European Community website:

<http://europa.eu.int/comm/enterprise/rte/dir99-5.htm>

The text of the Directive 99/05 regarding telecommunication equipments is available, while the applicable Directives (Low Voltage and EMC) are available at:

http://europa.eu.int/comm/enterprise/electr_equipment/index_en.htm



15 Conformity assessment issues

15.1 1999/5/EC Directive

The UE910-EUR, UE910-EUD modules have been evaluated against the essential requirements of the 1999/5/EC Directive.

Bulgarian	С настоящето Telit Communications S.p.A. декларира, че 2G/3G module отговаря на съществените изисквания и другите приложими изисквания на Директива 1999/5/EC.
Czech	Telit Communications S.p.A. tímto prohlašuje, že tento 2G/3G module je ve shodě se základními požadavky a dalšími příslušnými ustanoveními směrnice 1999/5/ES.
Danish	Undertegnede Telit Communications S.p.A. erklærer herved, at følgende udstyr 2G/3G module overholder de væsentlige krav og øvrige relevante krav i direktiv 1999/5/EF.
Dutch	Hierbij verklaart Telit Communications S.p.A. dat het toestel 2G/3G module in overeenstemming is met de essentiële eisen en de andere relevante bepalingen van richtlijn 1999/5/EG.
English	Hereby, Telit Communications S.p.A., declares that this 2G/3G module is in compliance with the essential requirements and other relevant provisions of Directive 1999/5/EC.
Estonian	Käesolevaga kinnitab Telit Communications S.p.A. seadme 2G/3G module vastavust direktiivi 1999/5/EÜ põhinõuetele ja nimetatud direktiivist tulenevatele teistele asjakohastele sätetele.
German	Hiermit erklärt Telit Communications S.p.A., dass sich das Gerät 2G/3G module in Übereinstimmung mit den grundlegenden Anforderungen und den übrigen einschlägigen Bestimmungen der Richtlinie 1999/5/EG befindet.
Greek	ΜΕ ΤΗΝ ΠΑΡΟΥΣΑ Telit Communications S.p.A. ΔΗΛΩΝΕΙ ΟΤΙ 2G/3G module ΣΥΜΜΟΡΦΩΝΕΤΑΙ ΠΡΟΣ ΤΙΣ ΟΥΣΙΩΔΕΙΣ ΑΠΑΙΤΗΣΕΙΣ ΚΑΙ ΤΙΣ ΛΟΙΠΕΣ ΣΧΕΤΙΚΕΣ ΔΙΑΤΑΞΕΙΣ ΤΗΣ ΟΔΗΓΙΑΣ 1999/5/EK.
Hungarian	Alulírott, Telit Communications S.p.A. nyilatkozom, hogy a 2G/3G module megfelel a vonatkozó alapvető követelményeknek és az 1999/5/EC irányelv egyéb előírásainak.
Finnish	Telit Communications S.p.A. vakuuttaa täten että 2G/3G module tyyppinen laite on direktiivin 1999/5/EY oleellisten vaatimusten ja sitä koskevien direktiivin muiden ehtojen mukainen.
French	Par la présente Telit Communications S.p.A. déclare que l'appareil 2G/3G module est conforme aux exigences essentielles et aux autres dispositions pertinentes de la directive 1999/5/CE.
Icelandic	Hér með lýsir Telit Communications S.p.A. yfir því að 2G/3G module er í samræmi við grunnkröfur og aðrar kröfur, sem gerðar eru í tilskipun 1999/5/EC
Italian	Con la presente Telit Communications S.p.A. dichiara che questo 2G/3G module è conforme ai requisiti essenziali ed alle altre disposizioni pertinenti stabilite dalla direttiva 1999/5/CE.



Latvian	Ar šo Telit Communications S.p.A. deklarē, ka 2G/3G module atbilst Direktīvas 1999/5/EK būtiskajām prasībām un citiem ar to saistītajiem noteikumiem.
Lithuanian	Šiuo Telit Communications S.p.A. deklaruoja, kad šis 2G/3G module atitinka esminius reikalavimus ir kitas 1999/5/EB Direktyvos nuostatas.
Maltese	Hawnhekk, Telit Communications S.p.A., jiddikjara li dan 2G/3G module jikkonforma mal-ħtiġijiet essenzjali u ma provvedimenti oħrajn relevanti li hemm fid-Dirrettiva 1999/5/EC.
Norwegian	Telit Communications S.p.A. erklærer herved at utstyret 2G/3G module er i samsvar med de grunnleggende krav og øvrige relevante krav i direktiv 1999/5/EF.
Polish	Niniejszym Telit Communications S.p.A. oświadcza, że 2G/3G module jest zgodny z zasadniczymi wymogami oraz pozostałymi stosownymi postanowieniami Dyrektywy 1999/5/EC
Portuguese	Telit Communications S.p.A. declara que este 2G/3G module está conforme com os requisitos essenciais e outras disposições da Directiva 1999/5/CE.
Slovak	Telit Communications S.p.A. týmto vyhlasuje, že 2G/3G module spĺňa základné požiadavky a všetky príslušné ustanovenia Smernice 1999/5/ES.
Slovenian	Telit Communications S.p.A. izjavlja, da je ta 2G/3G module v skladu z bistvenimi zahtevami in ostalimi relevantnimi določili direktive 1999/5/ES.
Spanish	Por medio de la presente Telit Communications S.p.A. declara que el 2G/3G module cumple con los requisitos esenciales y cualesquiera otras disposiciones aplicables o exigibles de la Directiva 1999/5/CE.
Swedish	Härmed intygar Telit Communications S.p.A. att denna 2G/3G module står i överensstämmelse med de väsentliga egenskapskrav och övriga relevanta bestämmelser som framgår av direktiv 1999/5/EG.

In order to satisfy the essential requirements of 1999/5/EC Directive, the UE910-EUR, UE910-EUD modules are compliant with the following standards:

RF spectrum use (R&TTE art. 3.2)	EN 301 511 V9.02 EN 301 908-1 V5.2.1 EN 301 908-2 V5.2.1
EMC (R&TTE art. 3.1b)	EN 301 489-1 V1.9.2 EN 301 489-7 V1.3.1 EN 301 489-24 V1.5.1
Health & Safety (R&TTE art. 3.1a)	EN 60950-1:2006 + A11:2009 + A1:2010 + A12:2011 + AC2011 EC 62311:2008



The conformity assessment procedure referred to in Article 10 and detailed in Annex IV of Directive 1999/5/EC has been followed with the involvement of the following Notified Body:

AT4 wireless, S.A.
Parque Tecnológico de Andalucía
C/ Severo Ochoa 2
29590 Campanillas – Málaga
SPAIN
Notified Body No: 1909

Thus, the following marking is included in the product:

CE 1909

The full declaration of conformity can be found on the following address:
<http://www.telit.com/>

There is no restriction for the commercialisation of the UE910-EUR, UE910-EUD modules in all the countries of the European Union.

Final product integrating this module must be assessed against essential requirements of the 1999/5/EC (R&TTE) Directive. It should be noted that assessment does not necessarily lead to testing. Telit Communications S.p.A. recommends carrying out the following assessments:

RF spectrum use (R&TTE art. 3.2)	It will depend on the antenna used on the final product.
EMC (R&TTE art. 3.1b)	Testing
Health & Safety (R&TTE art. 3.1a)	Testing

Alternately, assessment of the final product against EMC (Art. 3.1b) and Electrical safety (Art. 3.1a) essential requirements can be done against the essential requirements of the EMC and the LVD Directives:

- Low Voltage Directive 2006/95/EC and product safety
- Directive EMC 2004/108/EC for conformity for EMC



15.2 FCC/IC Regulatory notices

Modification statement

Telit has not approved any changes or modifications to this device by the user. Any changes or modifications could void the user's authority to operate the equipment.

Telit n'approuve aucune modification apportée à l'appareil par l'utilisateur, quelle qu'en soit la nature. Tout changement ou modification peuvent annuler le droit d'utilisation de l'appareil par l'utilisateur.

Interference statement

This device complies with Part 15 of the FCC Rules and Industry Canada licence-exempt RSS standard(s). Operation is subject to the following two conditions: (1) this device may not cause interference, and (2) this device must accept any interference, including interference that may cause undesired operation of the device.

Le présent appareil est conforme aux CNR d'Industrie Canada applicables aux appareils radio exempts de licence. L'exploitation est autorisée aux deux conditions suivantes : (1) l'appareil ne doit pas produire de brouillage, et (2) l'utilisateur de l'appareil doit accepter tout brouillage radioélectrique subi, même si le brouillage est susceptible d'en compromettre le fonctionnement.

Wireless notice

This equipment complies with FCC and IC radiation exposure limits set forth for an uncontrolled environment. The antenna should be installed and operated with minimum distance of 20 cm between the radiator and your body. Antenna gain must be below:

Frequency band	UE910-NAR, UE910-NAD
GSM 850/FDD V	10.00 dBi
PCS 1900/FDD II	9.31 dBi

This transmitter must not be co-located or operating in conjunction with any other antenna or transmitter.



Cet appareil est conforme aux limites d'exposition aux rayonnements de la IC pour un environnement non contrôlé. L'antenne doit être installé de façon à garder une distance minimale de 20 centimètres entre la source de rayonnements et votre corps. Gain de l'antenne doit être ci-dessous:

Bande de fréquence	UE910-NAR, UE910-NAD
GSM 850/FDD V	10.00 dBi
PCS 1900/FDD II	9.31 dBi

L'émetteur ne doit pas être colocalisé ni fonctionner conjointement avec à autre antenne ou autre émetteur.

FCC Class B digital device notice

This equipment has been tested and found to comply with the limits for a Class B digital device, pursuant to part 15 of the FCC Rules. These limits are designed to provide reasonable protection against harmful interference in a residential installation. This equipment generates uses and can radiate radio frequency energy and, if not installed and used in accordance with the instructions, may cause harmful interference to radio communications. However, there is no guarantee that interference will not occur in a particular installation. If this equipment does cause harmful interference to radio or television reception, which can be determined by turning the equipment off and on, the user is encouraged to try to correct the interference by one or more of the following measures:

- Reorient or relocate the receiving antenna.
- Increase the separation between the equipment and receiver.
- Connect the equipment into an outlet on a circuit different from that to which the receiver is connected.
- Consult the dealer or an experienced radio/TV technician for help.



Labelling Requirements for the Host device

The host device shall be properly labelled to identify the modules within the host device. The certification label of the module shall be clearly visible at all times when installed in the host device, otherwise the host device must be labelled to display the FCC ID and IC of the module, preceded by the words "Contains transmitter module", or the word "Contains", or similar wording expressing the same meaning, as follows:

Contains FCC ID: RI7UE910NA
Contains IC: 5131A-UE910NA

L'appareil hôte doit être étiqueté comme il faut pour permettre l'identification des modules qui s'y trouvent. L'étiquette de certification du module donné doit être posée sur l'appareil hôte à un endroit bien en vue en tout temps. En l'absence d'étiquette, l'appareil hôte doit porter une étiquette donnant le FCC ID et le IC du module, précédé des mots « Contient un module d'émission », du mot « Contient » ou d'une formulation similaire exprimant le même sens, comme suit :

*Contains FCC ID: RI7UE910NA
Contient IC: 5131A-UE910NA*

CAN ICES-3 (B) / NMB-3 (B)

This Class B digital apparatus complies with Canadian ICES-003.

Cet appareil numérique de classe B est conforme à la norme canadienne ICES-003.

