

# HF Reader System Series 6000

*S6350 Multi-Protocol Reader Modules: RI-STU-TRDC-01 & 02*  
**Reference Guide**

11-06-21-700

September 2001

## Second Edition - September 2001

This is the second edition of this manual. It describes the **S6350 Reader (formerly published as the Series 5000 RI-STU-TRDC-00 Reader Reference Guide)**.

It contains a description of the following reader modules:

Reader Module with Right-Angle Connector      **RI-STU-TRDC-01**

Reader Module with Straight Connector      **RI-STU-TRDC-02**

*Texas Instruments (TI) reserves the right to make changes to its products or services or to discontinue any product or service at any time without notice. TI provides customer assistance in various technical areas, but does not have full access to data concerning the use and applications of customer's products*

*Therefore, TI assumes no liability and is not responsible for customer applications or product or software design or performance relating to systems or applications incorporating TI products. In addition, TI assumes no liability and is not responsible for infringement of patents and/or any other intellectual or industrial property rights of third parties, which may result from assistance provided by TI.*

*TI products are not designed, intended, authorized or warranted to be suitable for life support applications or any other life critical applications which could involve potential risk of death, personal injury or severe property or environmental damage.*

The **RFID Systems** logo, **TIRIS** logo, the words **RFID Systems**, **TIRIS** and **Tag-it** are trademarks or registered trademarks of Texas Instruments Incorporated (TI).

Copyright © 2001 Texas Instruments Incorporated (TI).

This document may be downloaded onto a computer, stored and duplicated as necessary to support the use of the related TI products. Any other type of duplication, circulation or storage on data carriers in any manner not authorized by TI represents a violation of the applicable copyright laws and shall be prosecuted.

# Read This First

## About This Manual

This reference guide for the S6350 High-frequency (13.56Mhz) Reader is designed for use by TI customers who are engineers experienced with RFID Systems and Radio Frequency Identification Devices (RFID).

<i>Device Name</i>	<i>Firmware Version</i>	<i>Hardware Configuration</i>
<i>RI-STU-TRDC-01</i>	<i>1.4 (ISO 15693-3)</i>	<i>Right-Angle Connector</i>
<i>RI-STU-TRDC-02</i>	<i>1.4 (ISO 15693-3)</i>	<i>Straight Connector</i>

Regulatory, safety and warranty notices that must be followed are provided in Chapter 4.

## Conventions

The following pictograms and designations are used in the operating instructions:

### WARNING:



**A WARNING IS USED WHERE CARE MUST BE TAKEN, OR A CERTAIN PROCEDURE MUST BE FOLLOWED, IN ORDER TO PREVENT INJURY OR HARM TO YOUR HEALTH.**

### CAUTION:



**This indicates information on conditions, which must be met, or a procedure, which must be followed, which if not needed could cause permanent damage to the system.**

### Note:



Indicates conditions, which must be met, or procedures which must be followed, to ensure proper functioning.

### Information:



Indicates conditions or procedures that should be followed to ensure proper functioning of the system.

## If You Need Assistance

Application Centers are located in Europe, North and South America, the Far East and Australia to provide direct engineering support.

For more information, please contact your nearest TI-RFID Systems Sales and Application Center. The contact addresses can be found on our home page: <http://www.ti-rfid.com>.

## Numerical Representations

Unless otherwise noted, numbers are represented as decimal.

Hexadecimal numbers are represented with the suffix <sub>hex</sub>, e.g. A5F1<sub>hex</sub>

Binary numbers are represented with the suffix <sub>2</sub>, e.g. 1011<sub>2</sub>

Byte representations: the least significant bit (lsb) is bit 0 and the most significant bit (msb) is bit 7.

## Document Overview

<b>Chapter 1: Introduction.....</b>	<b>6</b>
1.1 Description.....	7
1.1.1 Programming Interface.....	7
1.2 Summary of Chapters and Appendixes .....	7
<b>Chapter 2: Hardware Description.....</b>	<b>8</b>
2.1 General Specification.....	9
2.1.1 Functional Requirements.....	9
2.1.2 Power Supply .....	9
2.1.3 Output Power .....	9
2.1.4 Required Antenna Parameters.....	10
2.1.5 Input / output pins (CN1 pins 3 and 4) .....	10
2.1.6 Baseband receiver .....	11
2.1.7 Connector Details .....	11
2.1.8 16-pin Header Connector CN1.....	11
2.1.9 RI-STU-TRDC-01 (CN1) Pin Assignments.....	12
2.1.10 RI-STU-TRDC-02 (CN1) Pin Assignments.....	13
2.2 Mechanical Specifications .....	14
2.2.1 RI-STU-TRDC-01 with 16-pin Right-Angle Connector.....	14
2.2.2 RI-STU-TRDC-02 with 16-pin Straight Header Connector.....	15
<b>Chapter 3: Reader Protocol .....</b>	<b>16</b>
3.1 Serial Protocol Definition .....	17
3.1.1 Request Packet Format (Host to Reader).....	17
3.1.2 Response Packet Format (Reader to Host).....	18
3.1.3 Command Flags Request.....	18
3.1.4 Command Flags Response .....	19
3.1.5 BCC.....	19
3.1.6 Example Request Packet .....	19
3.2 Command Definitions.....	20
3.2.1 Tag-it™ HF Command Definitions.....	20
3.2.2 Miscellaneous Commands.....	23
3.2.3 ISO/IEC FCD 15693 Part 3 Transmission Protocol.....	26
3.2.3.1 ISO/IEC 15693-3 Command Codes.....	26
3.2.3.2 Request/Response Packet Format for ISO/IEC 15693-3.....	26
3.2.3.3 Mandatory Commands .....	30
3.2.3.4 Optional Commands.....	32
<b>Chapter 4: Regulatory and Warranty Notices.....</b>	<b>42</b>
4.1 FCC Conformity.....	43
4.2 ETSI Conformity .....	43
4.3 CE Conformity.....	43
4.4 Warranty and Liability .....	43
<b>Appendix B: Downloading Data to FLASH Memory .....</b>	<b>44</b>
<b>Appendix B: Error Codes.....</b>	<b>45</b>

**Chapter 1**

# Introduction



**Topic**

**Page**

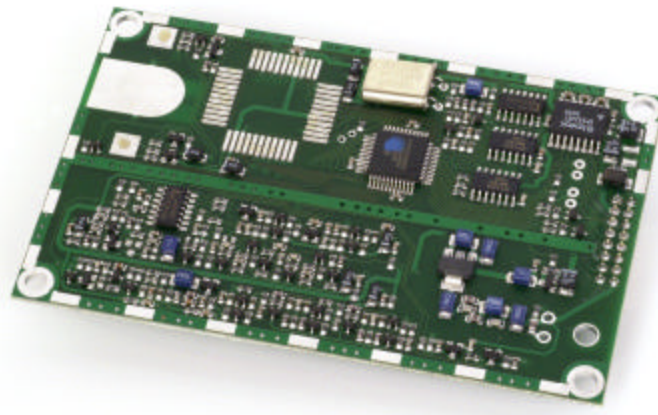
1.1 Description.....	7
1.1.1 Programming Interface.....	7
1.2 Summary of Chapters and Appendixes .....	7

## 1.1 Description

This document describes the features and operational characteristics of the RI-STU-TRDC-01 & -02 S6350 High Frequency Multi-Protocol Readers. The RI-STU-TRDC-02 reader is shown in **Figure 1**. The S6350 Reader operates at a frequency of 13.56MHz and is compatible with both standard and ISO/IEC 15693 Tag-it inlays and tags. This reference guide provides the details that are necessary to properly interface and use the reader as a part of an integrated system.

In compliance with the ISO/IEC 15693 standard, a global open standard for optimal use under different regulatory and noise environments around the world, the S6350 Reader allows for the interoperability of inlays and tags from multiple manufacturers.

**Figure 1: S6350 High Frequency Reader**



### 1.1.1 Programming Interface

The S6350 Reader is designed to operate as a part of a host-based reader system, which essentially relegates the reader to be a slave to the host. Host-to-Tag-it reader serial communications are accomplished within data packets whereby communications from the host to the reader are known as requests, and replies from the reader to the host are known as responses. This communication occurs at RS-232 levels using 57,000 baud, 8 data bits, 1 start bit, 1 stop bit and no parity. By definition, the host is always the primary station and initiates all communication sequences. These sequences consist of request/response pairs where the host waits for a response prior to continuing.

## 1.2 Summary of Chapters and Appendixes

Chapter 1:	Introduction
Chapter 2:	Hardware Description
Chapter 3:	Reader Protocol
Chapter 4:	Regulatory & Warranty Notices
Appendix A:	Downloading Data
Appendix B:	Error Codes

# Hardware Description

---

---

---

<b>Topic</b>	<b>Page</b>
2.1 General Specification.....	9
2.1.1 Functional Requirements.....	9
2.1.2 Power Supply .....	9
2.1.3 Output Power .....	9
2.1.4 Required Antenna Parameters.....	10
2.1.5 Input / output pins (CN1 pins 3 and 4) .....	10
2.1.6 Baseband receiver .....	11
2.1.7 Connector Details .....	11
2.1.8 16-pin Header Connector CN1 .....	11
2.1.9 RI-STU-TRDC-01 (CN1) Pin Assignments.....	12
2.1.10 RI-STU-TRDC-02 (CN1) Pin Assignments.....	13
2.2 Mechanical Specifications .....	14
2.2.1 RI-STU-TRDC-01 with 16-pin Right-Angle Connector.....	14
2.2.2 RI-STU-TRDC-02 with 16-pin Straight Header Connector.....	15



## 2.1 General Specification

This chapter describes the electrical and mechanical specifications of the S6350 RI-STU-TRDC-02 reader. Operating at a frequency of 13.56 MHz, this low profile, low power device is designed to be easily integrated into many systems as an embedded device. All reader I/O is accomplished through the use of a 16-pin header connector (labeled as CN1), to include all communication, which is asynchronous RS232 as controlled by a host system.

### 2.1.1 Functional Requirements

The following parameters define the functional requirements and operational environment of the S6350 reader.

Parameter	Specifications
Operating temperature	-20°C to +70°C
Storage temperature (500 hours)	-40°C to +85°C
Thermal shock	-40°C to +85°C, using MIL-STD-810E, Method 503.3, for 100 cycles duration, 30 minutes per temperature.
Mechanical shock	5 Gs at 10 ms, half sinusoidal waves, 6 axes (MIL STD-801E, Method 516.3)
Vibration	15 Hz to 500 Hz, 1 g peak, 30 minutes sweep, logarithmic (MIL-STD-810E, Method 514.4)
Humidity	500 hours at 80% humidity, non-condensing at 70°C
Operating frequencies	13.56 MHz up-link and down-link
Transponder types	13.56 MHz TI Tag-it™ tag (Standard & ISO tag)
Standard compliance	FCC Part 15, Subpart C, "Intentional Radiator"

### 2.1.2 Power Supply

Input Voltage	5 ± .5 VDC
Average quiescent current	90mA
Average current during read (Dependent on read rate)	200mA (for TAG-IT™ tags)
Maximum current during read	250mA

### 2.1.3 Output Power

Output Power	120mW into 50 Ohms (Typical)
--------------	------------------------------



#### CAUTION:

The S 6350 reader is an intentional radiator, and when integrated, the integrator is subject to meeting FCC Part 15, Subpart C, and similar tenets under European Standard EN 300330.

### 2.1.4 Required Antenna Parameters

Impedance	$50\Omega \pm 5\Omega$ at 13.56 MHz
Loaded Q	$10 < Q < 30$

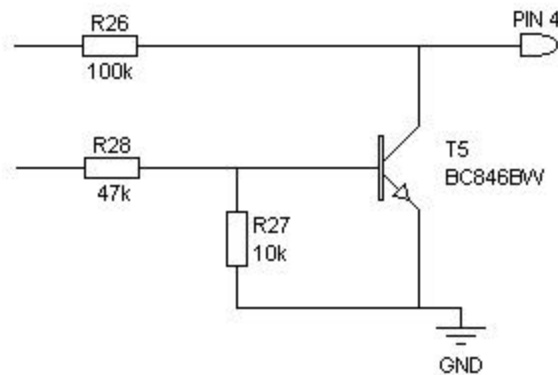
**Note:**



As no standard antenna is provided by Texas Instruments for the S6350 reader, the noted required antenna parameters must be closely followed by the integrator for the reader to operate properly.

### 2.1.5 Input / output pins (CN1 pins 3 and 4)

Pins 3 and 4 on CN1 may be configured by software commands to read a logic level input or to switch an external load to ground (no pull-up is provided).



**Figure 2: Example Circuit Diagram of an IO pin**

When used as a switch to ground the following ratings should not be exceeded:

<b>Maximum voltage</b>	<b>20V</b>
<b>Maximum current</b>	<b>50mA</b>



**CAUTION:**

**Exceeding this Voltage and Current limit could cause permanent damage to the reader.**



**Note:**

That if an output has been set by a software command the state will always read back as a logic 0.

## 2.1.6 Baseband receiver

Minimum data pulse width	5uS
Maximum data pulse width	500uS
Typical settling time	50uS from the first transition

---

### Note:



The receiver extracts the mean level of the incoming data stream as a reference. This takes approximately 50uS; therefore the data output of the receiver is not valid until after this time.

---

## 2.1.7 Connector Details

All reader input and output is provided through a 16-pin header connector that is mounted on the backside of the reader for the RI-STU-TRDC-02 and on the component side for the RI-STU-TRDC-01. The details and orientation of each connector pin are provided in the following tables.

### 2.1.8 16-pin Header Connector CN1

Pin	Function
1	0 Volts
2	+5 Volts
3	Open collector output / data input 2
4	Open collector output / data input 1
5	RS232 TxD (output from reader)
6	RS232 RxD (input to reader)
7	No connection (antenna guard)
8	Antenna screen
9	Antenna signal
10	No connection (antenna guard)
11	RS232 ground
12	No connection (reserved for future expansion)
13	No connection (reserved for future expansion)
14	No connection (reserved for future expansion)
15	No connection (reserved for future expansion)
16	No connection (reserved for future expansion)

---

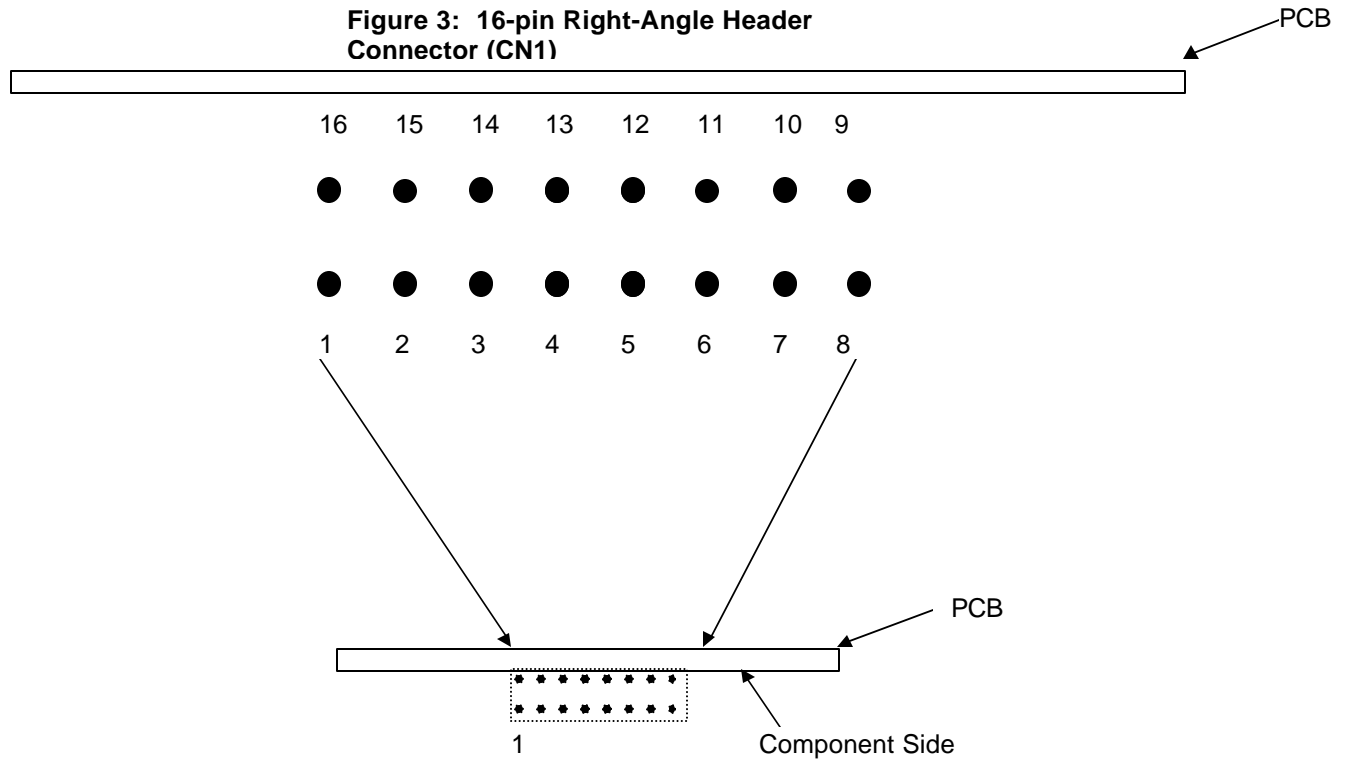
### CAUTION:



Only pins 8 and 9 of connector CN1 should be used for the antenna connection.

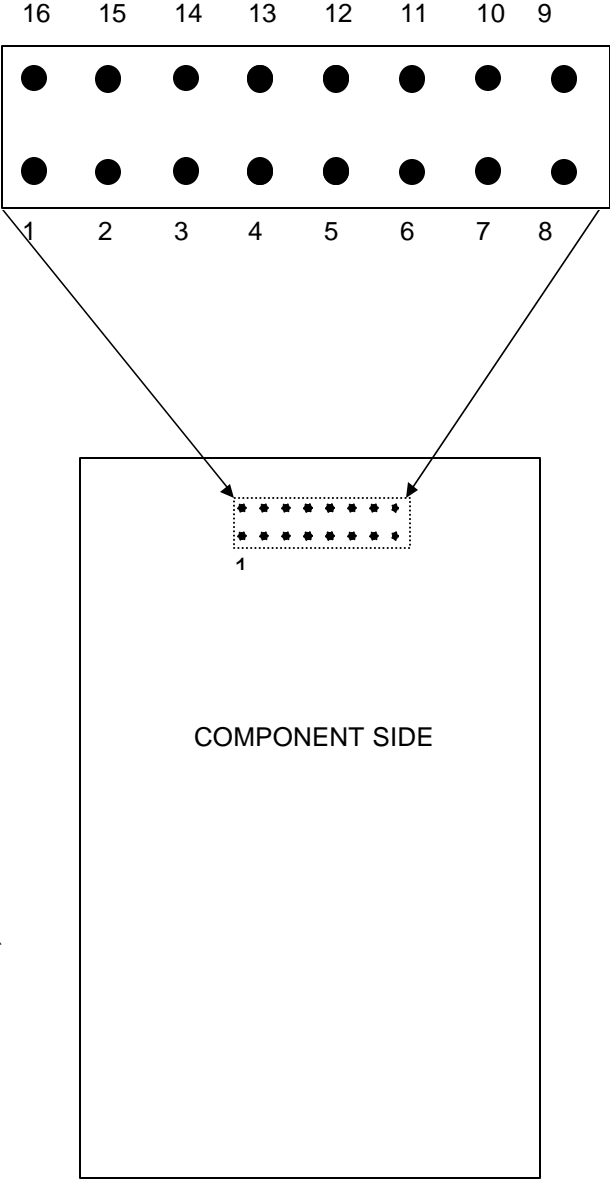
---

### 2.1.9 RI-STU-TRDC-01 (CN1) Pin Assignments



2.1.10 RI-STU-TRDC-02 (CN1) Pin Assignments

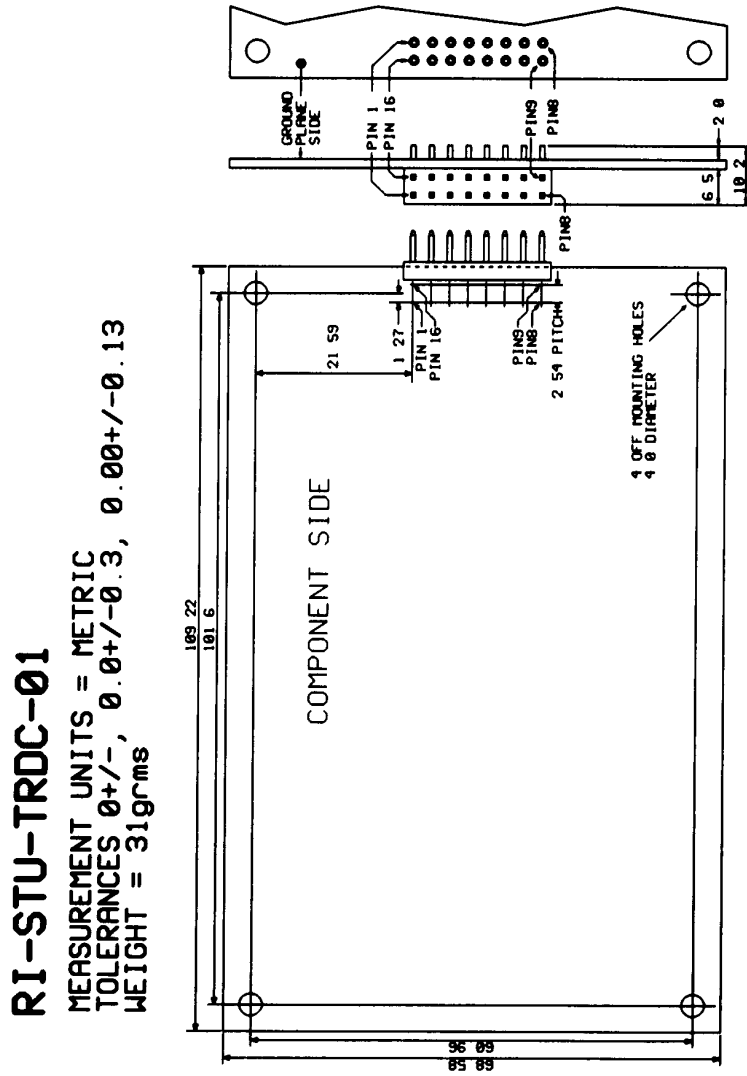
Figure 4: 16-pin Header Connector (CN1) viewed from component side.



## 2.2 Mechanical Specifications

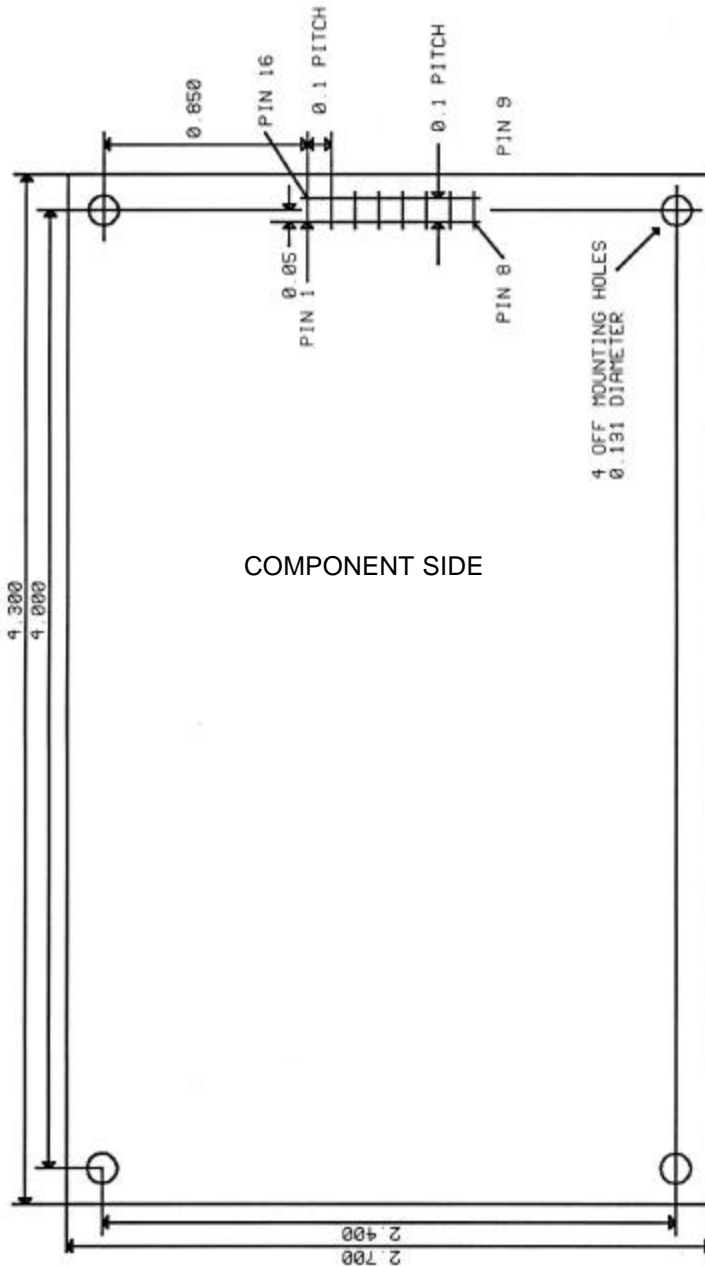
### 2.2.1 RI-STU-TRDC-01 with 16-pin Right-Angle Connector

Figure 5: Note: All dimensions are in metric



### 2.2.2 RI-STU-TRDC-02 with 16-pin Straight Header Connector

**Figure 6:** Note: All dimensions are in inches



# Reader Protocol

---

---

---

<b>Topic</b>	<b>Page</b>
3.1 Serial Protocol Definition .....	17
3.1.1 Request Packet Format (Host to Reader) .....	17
3.1.2 Response Packet Format (Reader to Host).....	18
3.1.3 Command Flags Request.....	18
3.1.4 Command Flags Response .....	19
3.1.5 BCC.....	19
3.1.6 Example Request Packet .....	19
3.2 Command Definitions.....	20
3.2.1 Tag-it™ HF Command Definitions.....	20
3.2.2 Miscellaneous Commands.....	23
3.2.3 ISO/IEC FCD 15693 Part 3 Transmission Protocol.....	26
3.2.3.1 ISO/IEC 15693-3 Command Codes.....	26
3.2.3.2 Request/Response Packet Format for ISO/IEC 15693-3.....	26
3.2.3.3 Mandatory Commands .....	30
3.2.3.4 Optional Commands.....	32



### 3.1 Serial Protocol Definition

The S6350 reader accepts and sends data at RS232 levels, 57600 baud, 8 data bits, 1 start bit, 1 stop bit and no parity. The data packet from the host to the reader is known as the request and the reply from the reader to the host as the response. The host is always the primary station and initiates all communication sequences. These consist of request/response pairs where the host waits for a response before continuing. The S6350 reader does not use the node address.

#### 3.1.1 Request Packet Format (Host to Reader)

Field Name	SOF
Field Size	1 byte
Field Value	01 <sub>hex</sub>
Purpose	Start of Frame
Field Name	Length
Field Size	2 byte LSB first
Field Value	Packet dependent
Purpose	Describes the length of the whole packet including SOF
Field Name	Node Address
Field Size	2 byte LSB first
Field Value	0000 <sub>hex</sub>
Purpose	Must be 0000 <sub>hex</sub> for upward compatibility
Field Name	Command flags
Field Size	1 byte
Field Value	Varies by command
Purpose	Specifies the action to be taken by the reader
Field Name	Command
Field Size	1 byte
Field Value	Varies by command
Purpose	Specifies the action to be taken by the reader
Field Name	Data
Field Size	0 to xx bytes
Field Value	Command dependent
Purpose	Contains the parameters and data for the command
Field Name	BCC
Field Size	2 bytes
Field Value	16 bit LRC of the preceding packet including the SOF
Purpose	Allows the reader to validate the correct reception of the request packet

### 3.1.2 Response Packet Format (Reader to Host)

Field Name	SOF
Field Size	1 byte
Field Value	01 <sub>hex</sub>
Purpose	Start of Frame
Field Name	Length
Field Size	2 byte LSB first
Field Value	Packet dependent
Purpose	Describes the length of the whole packet including SOF
Field Name	Node Address
Field Size	2 byte LSB first
Field Value	0000 <sub>hex</sub>
Purpose	always 0000 <sub>hex</sub>
Field Name	Command flags
Field Size	1 byte
Field Value	Varies by command
Purpose	Specifies the action just taken by the reader
Field Name	Command
Field Size	1 byte
Field Value	Varies by command
Purpose	Specifies the action just taken by the reader
Field Name	Data
Field Size	0 to 23 bytes
Field Value	Command dependent
Purpose	Contains the parameters and data for the command just processed
Field Name	BCC
Field Size	2 bytes
Field Value	16 bit LRC of the preceding packet including the SOF
Purpose	Allows the host to validate the correct reception of the response packet

### 3.1.3 Command Flags Request

The command flags in the request packet control the actions of the reader. The meanings of the bits are defined below.

<b>Bits 0-3</b>	Reserved for future use and should be set to '0' for upward compatibility.
<b>Bit 4</b>	Is the address flag and if set, the command is only performed on transponders whose address matches the data section of the packet.
<b>Bits 5-7</b>	Reserved for future use and should be set to '0' for upward compatibility.

### 3.1.4 Command Flags Response

The command flags in the response packet report the actions of the reader. The meanings of the bits are defined below.

<b>Bits 0-3</b>	Reserved for future use.
<b>Bit 4</b>	Error flag. If this flag is set the command was unsuccessful and the data section of the response packet contains the error code. (See section Appendix B for a list of error codes.)
<b>Bits 5-7</b>	Reserved for future use.

### 3.1.5 BCC

A Block Check Character (BCC) is used for error detection and is attached to the end of the packet. The 16 bit BCC is calculated on all the bytes of the packet including the SOF. The BCC consists of two parts: the LSbyte is a Longitudinal Redundancy Check (LRC) and the MSbyte is the ones compliment of the LRC. The LRC is calculated by performing a cumulative Exclusive-OR operation on all the bytes of the packet.

### 3.1.6 Example Request Packet

01 <sub>hex</sub>	SOF
0A <sub>hex</sub>	LSbyte of length
00 <sub>hex</sub>	MSbyte of length
00 <sub>hex</sub>	LSbyte of node address
00 <sub>hex</sub>	MSbyte of node address
00 <sub>hex</sub>	Command flags (Not addressed)
02 <sub>hex</sub>	Command (Tag-it™ Read block)
01 <sub>hex</sub>	Data (Block number 1)
08 <sub>hex</sub>	LSbyte of Checksum
F7 <sub>hex</sub>	MSbyte of Checksum

## 3.2 Command Definitions

### 3.2.1 Tag-it™ HF Command Definitions

Command Function (Tag-it HF)	Command Code
Read Single Non-addressed & Addressed Block	02 <sub>hex</sub>
Write Single Non-addressed & Addressed Block	03 <sub>hex</sub>
Lock Single Non-addressed & Addressed Block	04 <sub>hex</sub>
Read Transponder Details	05 <sub>hex</sub>
Special Read Block Command	0F <sub>hex</sub>

#### Read Block Command (02<sub>hex</sub>)

Reads a single block of data from a Tag-it™ transponder. If the address flag is set, the address forms the first part of the data section (LSbyte first), followed by a single byte containing the block number to be read. If the address flag is clear the data section only contains the block number.

##### Example

Read block 3 of a Tag-it™ transponder whose address is 0134A4D5<sub>hex</sub>

Request packet

01 0E 00 00 00 10 02 D5 A4 34 01 03 5A A5<sub>hex</sub>

The response packet is similar to the request packet, with the data section containing the data received from the transponder (LSbyte first) followed by a single byte indicating the lock status and then another single byte containing the block address. The two LSB's of the lock status byte reflect the two lock bits in the transponder.

##### Example

Response packet

01 0F 00 00 00 00 02 33 22 11 00 00 03 0F F0<sub>hex</sub>

00112233<sub>hex</sub> read from unlocked block 3 of a Tag-it™ transponder.

#### Write Block Command (03<sub>hex</sub>)

Writes a single block of data to a Tag-it™ transponder. If the address flag is set, the address forms the first part of the data section, followed by a single byte containing the block number to be written. The data to be written follows the block number. If the address flag is clear the data section only contains the block byte and the data to be written.

##### Example

Write Block 4 of a Tag-it™ transponder whose address is 000134A4<sub>hex</sub> with data

01234567<sub>hex</sub>

Request packet

01 12 00 00 00 10 03 A4 34 01 00 04 67 45 23 01 95 6A<sub>hex</sub>

The response packet is similar to the request packet; with the data section containing 00<sub>hex</sub> for a successful write operation.

**Example**

Response packet  
 01 0A 00 00 00 00 03 00 08 F7<sub>hex</sub>  
 Successful write.

**Lock Block Command (04<sub>hex</sub>)**

Locks a single block of data in a Tag-it™ transponder. If the address flag is set, the address forms the first part of the data section, followed by a single byte containing the number of the block to lock.

**Example**

Lock Block 4 of a Tag-it™ transponder whose address is 000134A4<sub>hex</sub>  
 Request packet  
 01 0E 00 00 00 10 04 A4 34 01 00 04 8E 71<sub>hex</sub>

The response packet is similar to the request packet, with the data section containing 00<sub>hex</sub> for a successful lock operation.

**Example**

Response packet  
 01 0A 00 00 00 00 04 00 0F F0<sub>hex</sub>  
 Successful lock.

**Read Transponder Details Command (05<sub>hex</sub>)**

Reads the details of a Tag-it™ transponder. If the address flag is set, the address forms the data section.

**Example**

Read the details of a Tag-it™ transponder non-address  
 Request packet  
 01 09 00 00 00 00 05 0D F2<sub>hex</sub>

The response packet is similar to the request packet, with the data section containing the transponder address (4 bytes), manufacturers code (1 byte), transponder version number (2 bytes), the number of blocks (1 byte) and the number of bytes per block (1byte).

**Example**

Response packet  
 01 12 00 00 00 00 05 A4 34 01 00 01 05 00 08 04 8F 70<sub>hex</sub>  
 Transponder ID                   000134A4<sub>hex</sub>  
 Manufacturers Number           01<sub>hex</sub>  
 Version Number                   0005<sub>hex</sub>  
 Number of blocks                08<sub>hex</sub>  
 Number of bytes per block      04<sub>hex</sub>

**Special Read Block Command (0F<sub>hex</sub>)**

Reads blocks of data from a Tag-it™ transponder. The address flag should not be used. The data section contains a single byte detailing the blocks to be read. Each bit of this byte represents a block of data (bit 0 = block 0 etc) if a bit is set then that block is read. If the data byte is zero then only the SID is returned. The SID is always retrieved first and then used to read the selected blocks in addressed mode.

**Example**

Read blocks 0, 3 & 4 of a Tag-it™ transponder (data byte = 00011001<sub>bin</sub> = 19<sub>hex</sub>)

Request packet

01 0A 00 00 00 00 0F 19 1D E2<sub>hex</sub>

The data section of the response packet contains:

The SID address (LSbyte first),

Block 0 data (if selected) followed by a single byte indicating the lock status and then another single byte containing the block address,

Block 1 data (if selected) followed by a single byte indicating the lock status and then another single byte containing the block address,

Block 7 data (if selected) followed by a single byte indicating the lock status and then another single byte containing the block address,

(The two LSB's of the lock status bytes reflect the blocks two lock bits in the transponder.)

**Example**

Response packet

01 1F 00 00 00 00 0F 23 4F 10 00 EF CD AB 89 00 00 33 22 11 00 00 03

67 45 23 01 00 04 6A 95<sub>hex</sub>

00104F23<sub>hex</sub>

SID

89ABCDEF<sub>hex</sub>

read from unlocked block 0 of a Tag-it™ transponder.

00112233<sub>hex</sub>

read from unlocked block 3 of a Tag-it™ transponder.

01234567<sub>hex</sub>

read from unlocked block 4 of a Tag-it™ transponder.

### 3.2.2 Miscellaneous Commands

Command Function	Command Code
Initiate FLASH Loader Command	D0 <sub>hex</sub>
Send Data to FLASH Command	D8 <sub>hex</sub>
Reader Version Command	F0 <sub>hex</sub>
Read Inputs Command	F1 <sub>hex</sub>
Write Reader Outputs Command	F2 <sub>hex</sub>
RF Carrier on/off Command	F4 <sub>hex</sub>

#### Initiate FLASH Loader Command (D0<sub>hex</sub>)

This command is used to initialize and transfer control to the FLASH loader software.

##### Example

Request packet  
01 09 00 00 00 00 D0 D8 27<sub>hex</sub>

The response packet is similar to the request packet with the data section containing '00' if successful.

##### Example

Response packet  
01 0A 00 00 00 00 D0 00 DB 24<sub>hex</sub>

FLASH loader initialised and control transferred.

#### Send Data to FLASH Command (D8<sub>hex</sub>)

This command is used to load data into the FLASH memory.

##### Example

Request packet  
01 8D 00 00 00 00 D8 <132 bytes of data> <2 byte checksum> <sub>hex</sub>  
The Data section must always contain 132 bytes

The response packet data section contains '00' if successful.

##### Example

Response packet  
01 0A 00 00 00 00 D8 00 D3 2C<sub>hex</sub>  
The section of FLASH memory was programmed correctly.

#### Reader Version Command (F0<sub>hex</sub>)

Requests the version number of the reader. The flags are ignored for this command.

##### Example

Get the version number of the reader.  
Request packet  
01 09 00 00 00 00 F0 F8 07<sub>hex</sub>

The response packet is similar to the request packet with the data section containing the 2 byte version number LSB first followed by a single byte representing the reader type.

Reader Type

**Example**  
Response packet  
01 0C 00 00 00 00 F0 40 01 07 BB 44<sub>hex</sub>

The version number is 1.4

The reader type response can be defined as follows:

**Type 07** = Indicates that the reader has been successfully loaded with the noted application firmware version number (in this example, version 1.4).

**Type 00** = Indicates that the reader has not been loaded with application firmware, but does have the boot-loader firmware in place with which to download the appropriate application firmware. (Please refer to **Appendix A: Downloading Data to FLASH Memory**)

### Reader inputs Command (F1<sub>hex</sub>)

Reads the state of the reader inputs. The flags are ignored for this command.

**Example**  
Get the status of the reader inputs.  
Request packet  
01 09 00 00 00 00 F1 F9 06<sub>hex</sub>

The response packet is similar to the request packet with the data section containing a byte representing the state of the inputs. Bit 0 of this byte represents input 1 and bit 1 represents input 2 all other bits are reserved.

**Example**  
Response packet  
01 0A 00 00 00 00 F1 01 FB 04<sub>hex</sub>  
Input 1 is at Logic 1  
Input 2 is at Logic 0

### Write reader outputs Command (F2<sub>hex</sub>)

Writes the state of the reader outputs. The flags are ignored for this command. The data section contains 1 byte with bits defined as follows:

Bit 0	1 = Output 1 switched on (output is pulled to ground)
Bit 1	1 = Output 2 switched on (output is pulled to ground)
Bit 2	Reserved
Bit 3	Reserved
Bit 4	1 = Bit 0 enabled (output 1 is controlled)
Bit 5	1 = Bit 1 enabled (output 2 is controlled)
Bit 6	Reserved
Bit 7	Reserved

**Example**  
Switch output 2 on without affecting output 1.  
Request packet  
01 0A 00 00 00 00 F2 22 DB 24<sub>hex</sub>



The response packet is similar to the request packet with the data section containing '00<sub>hex</sub>' for a successful write operation.

**Example**

Response packet  
01 0A 00 00 00 00 F2 00 F9 06<sub>hex</sub>  
Write successful.

**RF Carrier on/off Command (F4<sub>hex</sub>)**

Switches the RF carrier on or off. The data section contains one byte FF<sub>hex</sub> to turn the carrier on or 00<sub>hex</sub> to turn the carrier off.

**Example**

Switch the carrier on.  
Request packet  
01 0A 00 00 00 00 F4 FF 00 FF<sub>hex</sub>

The response packet is similar to the request packet with the data section containing '00<sub>hex</sub>' for a successful operation.

**Example**

Response packet  
01 0A 00 00 00 00 F4 00 FF 00<sub>hex</sub>  
Command successful.

### 3.2.3 ISO/IEC FCD 15693 Part 3 Transmission Protocol

In addition to supporting the Tag-it™ protocol outlined within the preceding section, the S6350 Mid-Range HF-I Reader complies with the standard RF interface and transmission protocol of ISO/IEC IS 15693-2 & 3. Please note that each of the ISO protocol command and response packets outlined within the following sections are contained within the standard reader protocol as outlined within Section 3.1. It should also be noted that the details of the individual ISO 15693-3 commands are not provided within this document, but are covered within the ISO/IEC IS 15693-3:2001(E) Anti-Collision and Transmission Protocol document. The ISO 15693-3 commands that are specifically applicable to the S6350 Reader are defined within the following table.

#### 3.2.3.1 ISO/IEC 15693-3 Command Codes

Command Function	Command Code
<b>Inventory</b> (Mandatory Command)	<b>01<sub>hex</sub></b>
<b>Stay Quiet</b> (Mandatory Command)	<b>02<sub>hex</sub></b>
<b>Read Single Block</b>	<b>20<sub>hex</sub></b>
<b>Write Single Block*</b>	<b>21<sub>hex</sub></b>
<b>Lock Block*</b>	<b>22<sub>hex</sub></b>
<b>Read Multiple Blocks</b>	<b>23<sub>hex</sub></b>
<b>Write AFI*</b>	<b>27<sub>hex</sub></b>
<b>Lock AFI*</b>	<b>28<sub>hex</sub></b>
<b>Write DSFID*</b>	<b>29<sub>hex</sub></b>
<b>Lock DSFID*</b>	<b>2A<sub>hex</sub></b>
<b>Get Multiple Block Security Status</b>	<b>2C<sub>hex</sub></b>



**Note:**

\* Bit 7 of the ISO 15693 protocol **Option\_Flag** must be set to 1 for all **Write** and **Lock** commands to respond properly.

#### 3.2.3.2 Request/Response Packet Format for ISO/IEC 15693-3

The data packet from the host to the reader is known as the request and the reply from the reader to the host as the response. The host is always the primary station and initiates all communication sequences. These consist of request/response pairs where the host waits for a response before continuing. All ISO/IEC 15693-3 command request packets are contained within the standard reader command request packet format. In all cases, reader command 60<sub>hex</sub> is used to pass through ISO 15693 Part 3 commands to the reader.

### The Configuration Byte (ISO Command Data Byte 0)

As detailed in ISO/IEC 15693-2, the Configuration Byte (ISO Command Data Byte 0) is an 8-bit byte that is used to configure the Data Coding Mode and Modulation Depth of the reader.

#### Modulation Depth

Bit 4 of the Configuration Byte is used to set Modulation Depth. When set high the reader is configured for 100% Modulation Depth, when set low the reader will operate at 10% to 30% (with a 20% nominal setting) Modulation Depth.

#### Data Coding Mode

Bit 0 of the Configuration Byte is used to set the Data Coding Mode. When set high the reader is configured for Data Coding Mode 1 / 4; when set low the reader is configured for Data Coding Mode 1 / 256.

### Request Packet Format for ISO/IEC 15693-3

The request packet consists of the header, packet length, node address, command flags, reader command (60<sub>hex</sub>), ISO/IEC 15693-3 command/data bytes 0 to some number “n” (where byte 0 is the configuration byte) and the checksum.

#### ISO 15693 Command Data Request Structure

The structure of the ISO 15693 Command Data Request is contained within the Data section of the ISO Command Data, bytes 1 - n. Specific to the S6350 reader, the ISO 15693 SOF, CRC16 and EOF fields must not be included in the message data packet. Please refer to ISO/IEC 15693-3 for details about the ISO packet format). Specific to the S6350 reader, the ISO 15693 SOF, CRC16 and EOF fields must not be included.

**Note:**

The protocol of S 6350 reader does not use the ISO 15693 SOF, CRC16 and EOF fields within its message packet.

**Note:**

Please refer to ISO/IEC 15693-3 for details about the ISO message packet.

---

## Request Packet Format

Standard reader Request Packet Format (See Section 3.1)										
Header	Packet Length		Node Address		Command Flag	Command	ISO Command Data		Checksum	
							Config. Byte	Data		
'01 <sub>hex</sub> '	LSB	MSB	LSB	MSB	Flags	'60 <sub>hex</sub> '	XX <sub>hex</sub>	Data	Byte 1	Byte 2
1 byte	2 bytes		2 bytes		1 byte	1 byte	Byte 0	bytes 1 - n	2 bytes	
							1 byte	n bytes		

## Request Packet Description

Field	Length	Description
Header	1 byte	Defines the start of the packet (01 <sub>hex</sub> ).
Packet Length	2 bytes	Defines the length of the packet, including checksum.
Node Address	2 bytes	Defines the Node address of the reader.
Command Flags	1 byte	Defines how a command will be executed.
Command	1 byte	Defines the command for the reader to execute (60 <sub>hex</sub> for ISO 15693-3 commands)
Data	0 - n bytes	Defines the data required by the reader for a command.
Checksum	2 bytes	Byte 1 is an XOR checksum of all elements from the header to the last byte

## Response Packet Format for ISO/IEC 15693-3

Similar to the request packet, the response packet consists of the header, packet length, node address, command flags, reader command (60<sub>hex</sub>), ISO/IEC 15693-3 command/data bytes **0** to some number "**m**" and the checksum.

The ISO Response Data packet can come in one of two possible generic formats: (a) One for the ISO Inventory Response, and (b) all other ISO responses. These will be highlighted in the following sections.

**Note:**

With the exception of the ISO Inventory Response packet, the format for each standard response packet is the same.

**The Error Byte (ISO Response Data Byte 0)**

There are three possible reader errors that can be generated in response to an ISO 15693 command. This error code will be returned within the Error Byte (Byte 0) of the ISO Response Data. The error codes are as follows:

- 01<sub>hex</sub>** Transponder not found
- 02<sub>hex</sub>** Command not supported
- 04<sub>hex</sub>** Invalid flags

**Response Packet Format**

Standard reader Response Packet Format (See Section 3.1)									
Header	Packet Length		Node Address		Response Flags	Command	ISO Response Data	Checksum	
	LSB	MSB	LSB	MSB			Data bytes 0 - 'm'		
'01 <sub>hex</sub> '					Flags	'60 <sub>hex</sub> '			
1 byte	2 bytes		2 bytes		1 byte	1 byte	'm' bytes	2 bytes	

**Response Packet Description**

Field	Length	Description
Header	1 byte	Defines the start of the packet (01 <sub>hex</sub> ).
Packet Length	2 bytes	Defines the length of the packet, including checksum.
Node Address	2 bytes	Defines the Node address of the reader.
Response Flags	1 byte	Defines the response of the reader to the request. Bit 4 defines the error status; a set value indicates that an error has occurred. (Other values reserved for future use)
Command	1 byte	Defines the command that the reader executed (60 <sub>hex</sub> for ISO 15693-3 commands)
Data	0-m bytes	Defines the data returned by the reader in response to a command.
Checksum	2 bytes	Byte 1 is an XOR checksum of all elements from the header to the last byte of the data field. Byte 2 is calculated as (FF <sub>hex</sub> ) XOR (byte 1)

### 3.2.3.3 Mandatory Commands

The data packet from the host to the reader is known as the request and the reply from the reader to the host as the response. The host is always the primary station and initiates all communication sequences. These consist of request/response pairs where the host waits for a response before continuing. All ISO/IEC 15693-3 command request packets are contained within the standard reader command request packet format. In all cases, reader command 60<sub>hex</sub> is used to pass through ISO 15693 Part 3 commands to the reader.

#### Inventory: Command Code (01<sub>hex</sub>)

##### ISO Inventory Request Command Packet

Header	Packet Length	Node Address	Cmd Flag	Cmd	ISO Command Data		Check -sum
					Config. Byte	Data	
'01 <sub>hex</sub> '	2 bytes	2 bytes	1 byte	'60 <sub>hex</sub> '	Byte 0	bytes 1 - n	2 bytes

**ISO Inventory Request Format**

SOF	Flags	Inventory Command	Opt. AFI	Mask Length	Mask Value	CRC16	EOF
Not Used	1 byte	'01 <sub>hex</sub> '	1 byte	1 byte	0 - 7 bytes	Not Used	Not Used

##### ISO Inventory Response Packet

The inventory response packet format, while complying with ISO 15693, is unique to the reader reader and is described within the following illustrations. All other ISO 15693 packet responses contain ISO 15693 data as detailed within ISO/IEC FDIS 15693-3.

Header	Packet Length	Node Address	Response Flags	Command	ISO Response Data	Check sum
					Data	
'01 <sub>hex</sub> '	2 bytes	2 bytes	1 byte	'60 <sub>hex</sub> '	bytes 0 - m	2 bytes

**ISO Inventory Response Format**

SOF	Valid Data Flags	Collision Flags	80-bit response to Inventory Command	Etc...	CRC16	EOF
Not Used	2 bytes LSB/MSB	2 bytes LSB/MSB	Data returned from 1 <sup>st</sup> valid time slot	Etc...	Not Used	Not Used

### Valid Data & Collision Flags

**Valid Data Flags:** This 16-bit field corresponds to whether valid data was received in the 16 possible Time Slots. **Bits 0 to 7** of the **LSB** respectively correspond to **Time Slots 1 to 8**, while **bits 0 to 7** of the **MSB** correspond to **Time Slots 9 to 16** respectively. A set bit corresponds to valid data being received in that particular Time slot.

**Collision Flags:** This 16-bit field corresponding to whether a collision occurred in the 16 possible Time Slots. **Bits 0 to 7** of the **LSB** respectively correspond to **Time Slots 1 to 8**, while **bits 0 to 7** of the **MSB** correspond to **Time Slots 9 to 16** respectively. A set bit corresponds to a collision being detected in that particular Time Slot.

---

#### Note:

It is possible to issue the Inventory Command for just 1 Time Slot instead of 16. In this case, the preceding packet structure is still valid; the required Valid Data flag and Collision flag reside in bit 0 of the LSB of their respective fields. It follows that issuing the Inventory Command for a single Time Slot will result in a maximum of one 80-bit response being returned



If both a Valid Data flag and its corresponding Collision flag are both clear then this indicates that no transponder was detected for that particular Time Slot.

Starting from Time Slot 1 and progressing to Time Slot 16, for each Time Slot where a transponder was successfully read (without collision), its 80-bit data is appended to the Data section of the message packet.

---

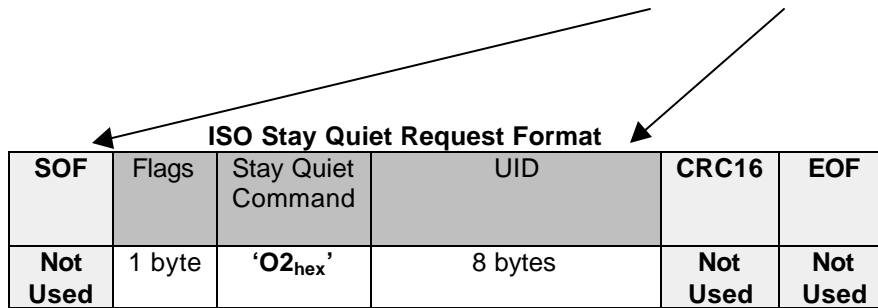
**ISO Stay Quiet Request Command Packet: Command Code (02<sub>hex</sub>)**

Upon receipt of the Stay Quiet command, the ISO tag will enter the quiet state and will not initiate a response. Note: There is no response to the Stay Quiet command.

The Stay Quiet command is always executed in the Addressed mode:

Select\_flag set to 0  
Addressed\_flag set to 1

Header	Packet Length	Node Address	Cmd Flag	Cmd	ISO Command Data		Check -sum
					Config. Byte	Data	
'01 <sub>hex</sub> '	2 bytes	2 bytes	1 byte	'60 <sub>hex</sub> '	Byte 0	bytes 1 - n	2 bytes

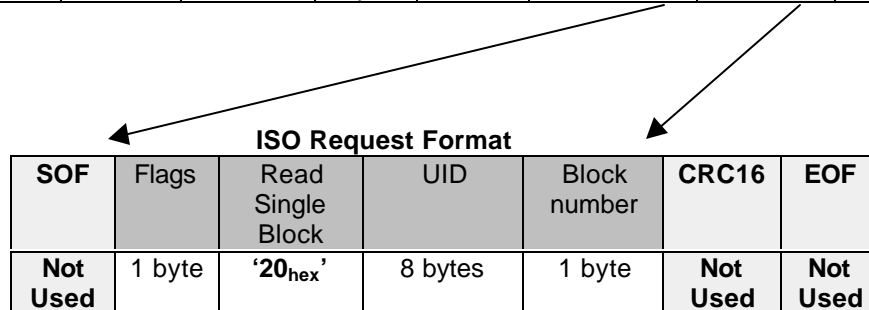


**3.2.3.4 Optional Commands**

**Read Single Block: Command Code (20<sub>hex</sub>)**

**ISO Read Single Block Request Command Packet**

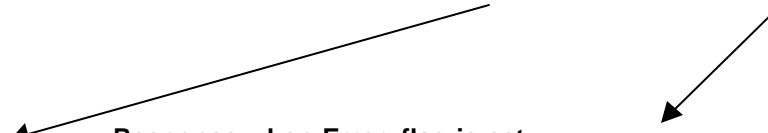
Header	Packet Length	Node Address	Cmd Flag	Cmd	ISO Command Data		Check -sum
					Config. Byte	Data	
'01 <sub>hex</sub> '	2 bytes	2 bytes	1 byte	'60 <sub>hex</sub> '	Byte 0	bytes 1 - n	2 bytes





**ISO Read Single Block Response Packet**

Header	Packet Length	Node Address	Response Flags	Command	ISO Response Data	Check sum
					Data	
'01 <sub>hex</sub> '	2 bytes	2 bytes	1 byte	'60 <sub>hex</sub> '	bytes 0 - m	2 bytes



**Response when Error\_flag is set**

SOF	Flags	Error Code	CRC16	EOF
Not Used	1 byte	1 byte	Not Used	Not Used

OR

**Response when Error\_flag is not set**

SOF	Flags	Block Security status	Data	CRC16	EOF
Not Used	1 byte	1 byte	Block length	Not Used	Not Used

**ISO Write Single Block: Command Code (21<sub>hex</sub>)**

**ISO Write Single Block Request Command Packet**

Header	Packet Length	Node Address	Cmd Flag	Cmd	ISO Command Data		Check-sum
					Config. Byte	Data	
'01 <sub>hex</sub> '	2 bytes	2 bytes	1 byte	'60 <sub>hex</sub> '	Byte 0	bytes 1 - n	2 bytes

**ISO Request Format**

SOF	*Flags	Write Single Block	UID	Block number	CRC16	EOF
Not Used	1 byte	'21 <sub>hex</sub> '	8 bytes	1 byte	Not Used	Not Used

**ISO Write Single Block Response Packet**

Header	Packet Length	Node Address	Response Flags	Command	ISO Response Data		Check sum
					Data		
'01 <sub>hex</sub> '	2 bytes	2 bytes	1 byte	'60 <sub>hex</sub> '	bytes 1 - m		2 bytes

Response when Error\_flag is set

SOF	Flags	Error Code	CRC16	EOF
Not Used	1 byte	1 byte	Not Used	Not Used

OR

Response when Error\_flag is not set

SOF	Flags	CRC16	EOF
Not Used	1 byte	Not Used	Not Used



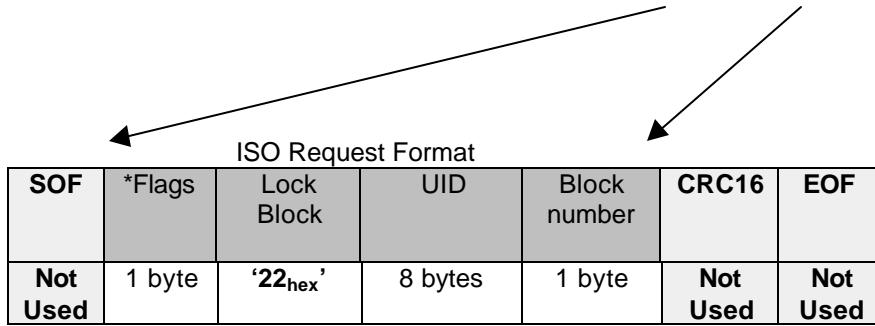
**Note:**

\* Bit 7 of the ISO 15693 protocol **Option\_Flag** must be set to 1 for all **Write** and **Lock** commands to respond properly.

**ISO Lock Block: Command Code (22<sub>hex</sub>)**

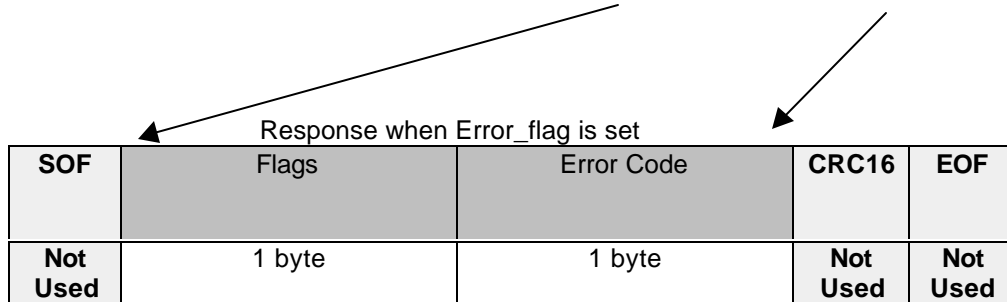
**ISO Lock Block Request Command Packet**

Header	Packet Length	Node Address	Cmd Flag	Cmd	ISO Command Data		Check-sum
					Config. Byte	Data	
'01 <sub>hex</sub> '	2 bytes	2 bytes	1 byte	'60 <sub>hex</sub> '	Byte 0	bytes 1 - n	2 bytes

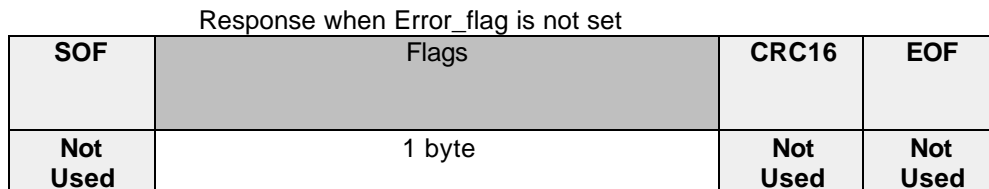


**ISO Lock Block Response Packet**

Header	Packet Length	Node Address	Response Flags	Command	ISO Response Data		Check sum
					Data		
'01 <sub>hex</sub> '	2 bytes	2 bytes	1 byte	'60 <sub>hex</sub> '	bytes 1 - m		2 bytes



OR



**Note:**

\* Bit 7 of the ISO 15693 protocol **Option\_Flag** must be set to 1 for all **Write** and **Lock** commands to respond properly.

**ISO Read Multiple Blocks: Command Code (23<sub>hex</sub>)**

**ISO Read Multiple Blocks Request Command Packet**

Header	Packet Length	Node Address	Cmd Flag	Cmd	ISO Command Data		Check-sum
					Config. Byte	Data	
'01 <sub>hex</sub> '	2 bytes	2 bytes	1 byte	'60 <sub>hex</sub> '	Byte 0	bytes 1 - n	2 bytes

ISO Request Format

SOF	Flags	Read Multiple Blocks	UID	1 <sup>st</sup> Block #	# of blocks	CRC16	EOF
Not Used	1 byte	'23 <sub>hex</sub> '	8 bytes	1 byte	1 byte	Not Used	Not Used

**ISO Read Multiple Blocks Response Packet**

Header	Packet Length	Node Address	Response Flags	Command	ISO Response Data		Check sum
					Data		
'01 <sub>hex</sub> '	2 bytes	2 bytes	1 byte	'60 <sub>hex</sub> '	bytes 1 - m		2 bytes

Response when Error\_flag is set

SOF	Flags	Error Code	CRC16	EOF
Not Used	1 byte	1 byte	Not Used	Not Used

OR

Response when Error\_flag is not set

SOF	Flags	Block Security Status	Data	CRC16	EOF
Not Used	1 byte	1 byte	Block length	Not Used	Not Used
Repeat as needed					

**ISO Write AFI: Command Code (27<sub>hex</sub>)**

**ISO Write AFI Request Command Packet**

Header	Packet Length	Node Address	Cmd Flag	Cmd	ISO Command Data		Check-sum
					Config. Byte	Data	
'01 <sub>hex</sub> '	2 bytes	2 bytes	1 byte	'60 <sub>hex</sub> '	Byte 0	bytes 1 - n	2 bytes

ISO Request Format

SOF	*Flags	Write AFI	UID	AFI	CRC16	EOF
Not Used	1 byte	'27 <sub>hex</sub> '	8 bytes	1 byte	Not Used	Not Used

**ISO Write AFI Response Packet**

Header	Packet Length	Node Address	Response Flags	Command	ISO Response Data		Check sum
					Data		
'01 <sub>hex</sub> '	2 bytes	2 bytes	1 byte	'60 <sub>hex</sub> '	bytes 1 - m		2 bytes

Response when Error\_flag is set

SOF	Flags	Error Code	CRC16	EOF
Not Used	1 byte	1 byte	Not Used	Not Used

OR

Response when Error\_flag is not set

SOF	Flags	CRC16	EOF
Not Used	1 byte	Not Used	Not Used



**Note:**

\* Bit 7 of the ISO 15693 protocol **Option\_Flag** must be set to 1 for all **Write** and **Lock** commands to respond properly.

**ISO Lock AFI: Command Code (28<sub>hex</sub>)**

**ISO Lock AFI Request Command Packet**

Header	Packet Length	Node Address	Cmd Flag	Cmd	ISO Command Data		Check-sum
					Config. Byte	Data	
'01 <sub>hex</sub> '	2 bytes	2 bytes	1 byte	'60 <sub>hex</sub> '	Byte 0	bytes 1 - n	2 bytes

ISO Request Format

SOF	*Flags	Lock AFI	UID	AFI	CRC16	EOF
Not Used	1 byte	'28 <sub>hex</sub> '	8 bytes	1 byte	Not Used	Not Used

**ISO Lock AFI Response Packet**

Header	Packet Length	Node Address	Response Flags	Command	ISO Response Data		Check sum
					Data		
'01 <sub>hex</sub> '	2 bytes	2 bytes	1 byte	'60 <sub>hex</sub> '	bytes 1 - m		2 bytes

Response when Error\_flag is set

SOF	Flags	Error Code	CRC16	EOF
Not Used	1 byte	1 byte	Not Used	Not Used

OR

Response when Error\_flag is not set

SOF	Flags	CRC16	EOF
Not Used	1 byte	Not Used	Not Used



**Note:**

\* Bit 7 of the ISO 15693 protocol **Option\_Flag** must be set to 1 for all **Write** and **Lock** commands to respond properly.

**ISO Write DSFID: Command Code (29<sub>hex</sub>)**

**ISO Write DSFID Request Command Packet**

Header	Packet Length	Node Address	Cmd Flag	Cmd	ISO Command Data		Check-sum
					Config. Byte	Data	
'01 <sub>hex</sub> '	2 bytes	2 bytes	1 byte	'60 <sub>hex</sub> '	Byte 0	bytes 1 - n	2 bytes

ISO Request Format

SOF	*Flags	Write DSFID	UID	DSFID	CRC16	EOF
Not Used	1 byte	'29 <sub>hex</sub> '	8 bytes	1 byte	Not Used	Not Used

**ISO Write DSFID Response Packet**

Header	Packet Length	Node Address	Response Flags	Command	ISO Response Data	Check sum
					Data	
'01 <sub>hex</sub> '	2 bytes	2 bytes	1 byte	'60 <sub>hex</sub> '	bytes 1 - m	2 bytes

Response when Error\_flag is set

SOF	Flags	Error Code	CRC16	EOF
Not Used	1 byte	1 byte	Not Used	Not Used

OR

Response when Error\_flag is not set

SOF	Flags	CRC16	EOF
Not Used	1 byte	Not Used	Not Used



**Note:**

\* Bit 7 of the ISO 15693 protocol **Option\_Flag** must be set to 1 for all **Write** and **Lock** commands to respond properly.

**ISO Lock DSFID: Command Code (2A<sub>hex</sub>)**

**ISO Lock DSFID Request Command Packet**

Header	Packet Length	Node Address	Cmd Flag	Cmd	ISO Command Data		Check-sum
					Config. Byte	Data	
'01 <sub>hex</sub> '	2 bytes	2 bytes	1 byte	'60 <sub>hex</sub> '	Byte 0	bytes 1 - n	2 bytes

ISO Request Format

SOF	*Flags	Lock DSFID	UID	CRC16	EOF
Not Used	1 byte	'2A <sub>hex</sub> '	8 bytes	Not Used	Not Used

**ISO Lock DSFID Response Packet**

Header	Packet Length	Node Address	Response Flags	Command	ISO Response Data	Check sum
					Data	
'01 <sub>hex</sub> '	2 bytes	2 bytes	1 byte	'60 <sub>hex</sub> '	bytes 1 - m	2 bytes

Response when Error\_flag is set

SOF	Flags	Error Code	CRC16	EOF
Not Used	1 byte	1 byte	Not Used	Not Used

OR

Response when Error\_flag is not set

SOF	Flags	CRC16	EOF
Not Used	1 byte	Not Used	Not Used



**Note:**

\* Bit 7 of the ISO 15693 protocol **Option\_Flag** must be set to 1 for all **Write** and **Lock** commands to respond properly.



**ISO Get Multiple Block Security Status: Command Code (2C<sub>hex</sub>)**

**ISO Get Multiple Block Security Status Request Command Packet**

Header	Packet Length	Node Address	Cmd Flag	Cmd	ISO Command Data		Check-sum
					Config. Byte	Data	
'01 <sub>hex</sub> '	2 bytes	2 bytes	1 byte	'60 <sub>hex</sub> '	Byte 0	bytes 1 - n	2 bytes

ISO Request Format

SOF	Flags	Get Multiple Block Security Status	UID	1 <sup>st</sup> Block #	# of Blocks	CRC16	EOF
Not Used	1 byte	'2C <sub>hex</sub> '	8 bytes		8 bytes	Not Used	Not Used

**ISO Get Multiple Block Security Status Response Packet**

Header	Packet Length	Node Address	Response Flags	Command	ISO Response Data	Check sum
					Data	
'01 <sub>hex</sub> '	2 bytes	2 bytes	1 byte	'60 <sub>hex</sub> '	bytes 1 - m	2 bytes

Response when Error\_flag is set

SOF	Flags	Error Code	CRC16	EOF
Not Used	1 byte	1 byte	Not Used	Not Used

OR

Response when Error\_flag is not set

SOF	Flags	Block Security Status	CRC16	EOF
Not Used	1 byte	1 byte	Not Used	Not Used
Repeat as needed				

# **Regulatory and Warranty Notices**

---

---

---

---

<b>Topic</b>	<b>Page</b>
4.1 FCC Conformity.....	43
4.2 ETSI Conformity .....	43
4.3 CE Conformity.....	43
4.4 Warranty and Liability .....	43

## 4.1 FCC Conformity

The S 6350 reader is an intentional radiator. The transmitter portion operates at 13.56 MHz and is subject to FCC Part 15, Subpart C, "Intentional Radiator," paragraph 15.225 (13.553-13.567MHz). Radiated emissions from the device are subject to the limits in Section 15.209 of the Rules outside of the 13.56 +/- 0.007 MHz band.

**Note:**

Any device or system incorporating the S 6350 reader, in full or in part, needs to obtain FCC certification as part of the system within which this reader unit resides. A system containing this product may be operated only under an experimental license or final approval issued by the relevant approval authority. Before any such device or system can be marketed, an equipment authorization must be obtained from the relevant approval authority.

---

## 4.2 ETSI Conformity

Any device or system incorporating the S 6350 reader, in full or in part, may need to comply with European Standard EN300330. It is the responsibility of each system integrator to have their complete system tested and to obtain approvals as required from the local authorities before operating or selling this system.

## 4.3 CE Conformity

Any device or system incorporating the S 6350 reader, in full or in part, may need to have a CE Declaration of Conformity stating that it meets European EMC directive 99/5/EC. This must be issued by the system integrator or user of such a system prior to marketing or operating it in the European community.

## 4.4 Warranty and Liability

The "General Conditions of Sale and Delivery" of Texas Instruments Incorporated or a TI subsidiary apply. Warranty and liability claims for defect products, injuries to persons and property damages are void if they are the result of one or more of the following causes:

- Improper use of the reader module.
  - Unauthorized assembly, operation and maintenance of the reader module.
  - Operation of the reader modules with defective and/or non-functioning safety and protective equipment.
  - Failure to observe the instructions during transport, storage, assembly, operation, maintenance and setting up of the reader modules.
  - Unauthorized changes to the reader modules.
  - Insufficient monitoring of the reader modules' operation or environmental conditions.
  - Improperly conducted repairs.
  - Catastrophes caused by foreign bodies and acts of God.
-

---

---

---

## Downloading Data to FLASH Memory

The S 6350 Reader FLASH memory contains two areas: the application area for the Reader application firmware and a boot-loader area for the boot-loader firmware. The boot-loader memory is factory locked.

After a reset the boot-loader firmware runs the following sequence:

- Control registers are initialized
- IO ports are initialized
- Application memory is scanned and verified
- If the application memory checksums are valid then control is transferred to the application memory
- If the checksums fail then the boot-loader takes control of the communications.

The boot-loader will only accept the following commands:

- Initiate FLASH Loader Command ( $D0_{hex}$ )
- Send Data to FLASH Command ( $D8_{hex}$ )
- Read reader Version Command ( $F0_{hex}$ )

The boot loader only operates at 57600 baud with 8 data bits, 1 start bit, 1 stop bit and no parity.

The application firmware will always accept the **Initiate FLASH Loader Command ( $D0_{hex}$ )**. When this command is received by the application firmware, control is transferred to the boot-loader. If the boot-loader does not receive a **Send Data to FLASH Command ( $D8_{hex}$ )** within 5 seconds of the **Initiate FLASH Loader Command ( $D0_{hex}$ )** then a system reset is generated.

The application firmware is provided in a single file and contains all the necessary checksums. The file will always contain 29700 bytes of data.

The file must be sent to the reader in one session if any errors occur the whole file must be resent. The file is sent in 225 segments, 132 bytes at a time ( $225 \times 132 = 29700$ ). Each segment is sent using the **Send Data to FLASH Command ( $D8_{hex}$ )**. The 132 bytes of data are contained in the data section of the packet.

---

---

---

---

**Error Codes**

<b>Code number</b>	<b>Meaning</b>
01 <sub>hex</sub>	Transponder not found
02 <sub>hex</sub>	Command not supported
03 <sub>hex</sub>	Packet BCC invalid
04 <sub>hex</sub>	Packet flags invalid for command
05 <sub>hex</sub>	General write failure
06 <sub>hex</sub>	Write failure due to locked block
07 <sub>hex</sub>	Transponder does not support function
0F <sub>hex</sub>	Undefined error