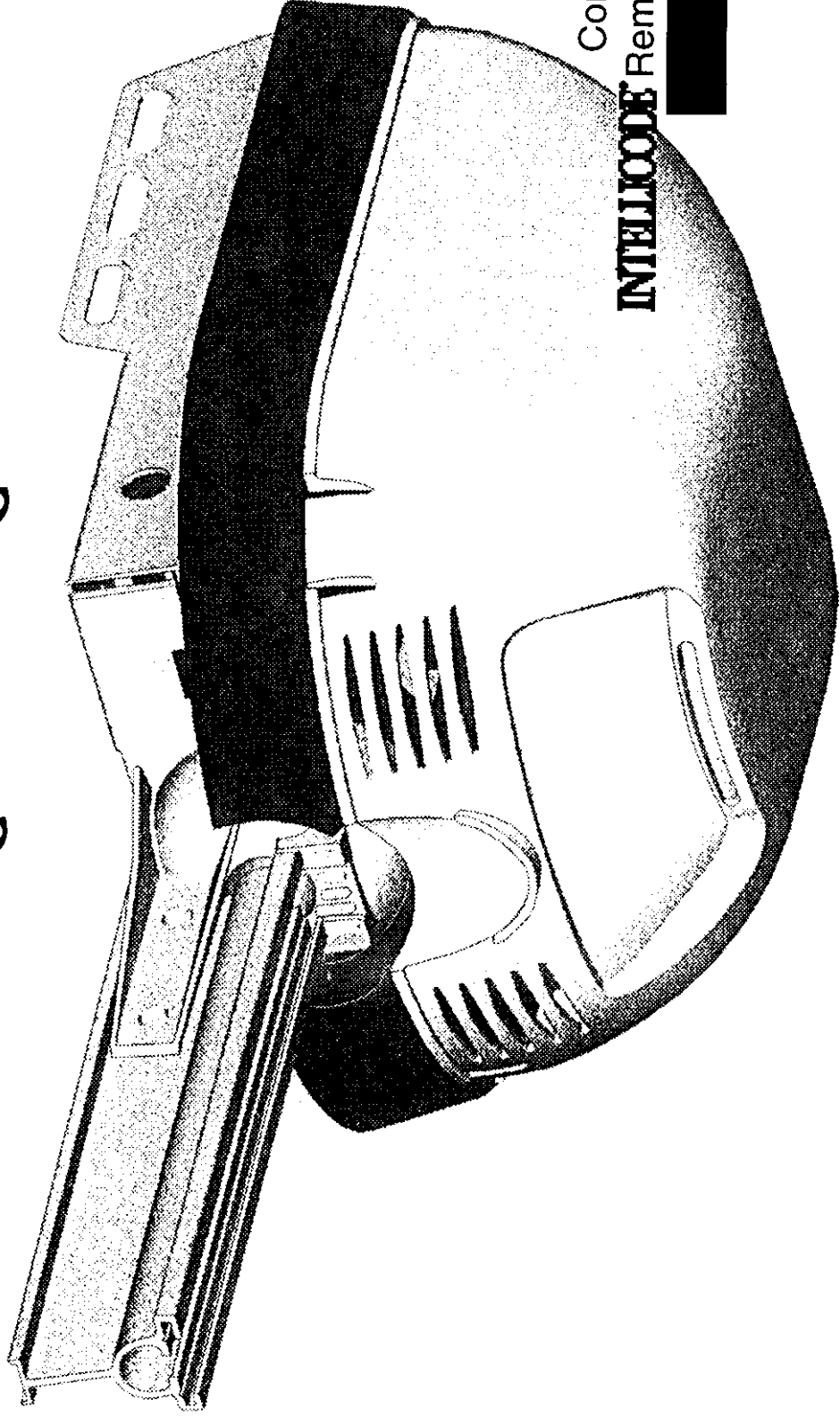


# GENIE® EXCELERATOR PRELIMINARY



Complete with  
**INTELLOCODE®** Remote Control

**SAVE FOR FUTURE REFERENCE**  
Garde para referencia futura  
conserver pour référence future

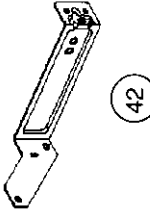
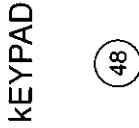
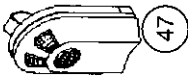
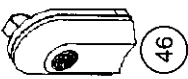
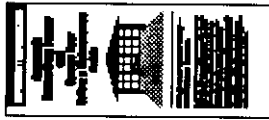
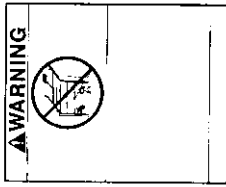
**Safe-T-Beam® Safety Reverse System Must be installed to close door.**  
El sistema inverso de seguridad Safe-T-Beam® Debe estar instalado para cerrar la puerta.  
Le système d'inversion de sécurité Safe-T-Beam® Doit être installé pour la porte.

**Opener Must be installed with the included Wall Control.**  
El operador Debe instalarse con el control de pared que se incluye.  
L'ouvre-porte Doit être installé avec la commande murale incluse.

**TABLE OF CONTENTS****ÍNDICE****TABLE DES MATIÈRES**

SECTION	PAGE
<b>PARTS IDENTIFICATION</b> .....	3-6
<b>OPENER FEATURES</b> .....	7
<b>SAFETY FEATURES</b> .....	8
<b>SAFETY INFORMATION</b> .....	9
<b>ASSEMBLY</b> .....	10
1 1 PIECE OPENER ASSEMBLY .....	10-12
2 3 PIECE OPENER ASSEMBLY .....	13-15
3 INSTALLATION .....	16-20
4 LIGHT BULB AND LENS INSTALLATION .....	21
5 BATTERY / VISOR CLIP INSTALLATION .....	22
<b>WIRING</b> .....	23
6 SAFE-T-BEAM® SYSTEM INSTALLATION .....	23-24
7 WALL CONTROL INSTALLATION .....	25-26
8 WIRELESS KEYPAD INSTALLATION .....	27
9 CONNECT POWER WITH PLUG IN .....	28
10 CONNECT POWER WITH PERMANENT WIRING .....	29
<b>ADJUSTMENTS</b> .....	30
11 FORCE ADJUSTMENT .....	30
12 LIMIT SWITCHES FINAL ADJUSTMENT .....	31
13 CONTACT REVERSE .....	32
14 PROGRAMMING REMOTE CONTROLS .....	33-34
15 PROGRAMMING WIRELESS KEYPAD .....	35-37
<b>SAFETY INSTRUCTIONS</b> .....	38
<b>OPERATIONS</b> .....	39
<b>MAINTENANCE</b> .....	40
<b>TROUBLESHOOTING GUIDE</b> .....	41
SAFE-T-BEAM® .....	41
OPERATOR .....	41
OPENER / RADIO .....	42-43
<b>WIRING DIAGRAM</b> .....	44

**PARTS**



**PARTS**

**PARTS**

**PARTS**

[38]

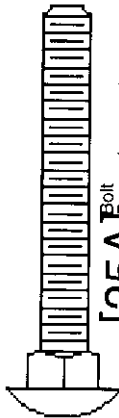
[20]

[51]

**FASTENERS - Shown Full Size. See Parts List for description.**

**SUJETADORES - Mostrados de tamaño real. Vea la lista de piezas fijación.**

**ATTACHES - Grandeur nature. Description dans la nomenclature des pièces.**



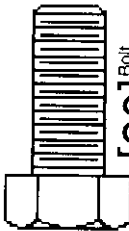
[25A] Bolt  
Perno  
Boulon



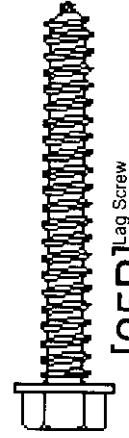
[22] Lag Screw  
Tirafondo  
Vis à tête hexagonale



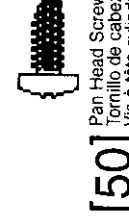
[37] Pan Head Screw  
Tornillo de cabeza troncocónica  
Vis à tête cylindrique



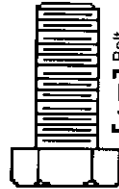
[30] Bolt  
Perno  
Boulon



[25B] Lag Screw  
Tirafondo  
Vis à tête hexagonale



[50] Pan Head Screw  
Tornillo de cabeza troncocónica  
Vis à tête cylindrique



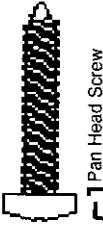
[15] Bolt  
Perno  
Boulon



[43] Pan Head Screw  
Tornillo Phillips de cabeza troncocónica  
Vis à tête cylindrique



[23] Bolt  
Perno  
Boulon



[45] Pan Head Screw  
Tornillo de cabeza troncocónica  
Vis à tête cylindrique



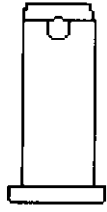
[50] Screw  
Tornillo  
Vis



[35] Wood Screw  
Tornillo para madera  
Vis à bois



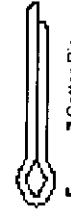
[6] Nut  
Tuerca  
Ecrrou



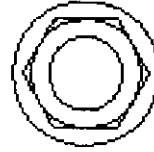
[27] Clevis Pin  
Pasador de horquilla  
Axe de chape



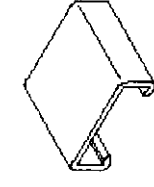
[44] Hex Nut  
Tuerca hexagonal  
Vis à tête hexagonale



[28] Cotter Pin  
Clavija hendida  
Goupille fendue



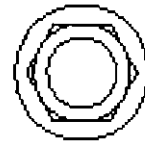
[31] Nut  
Tuerca  
Ecrrou



[52] Wire Clip  
Sujetador de cables  
Pince à fil

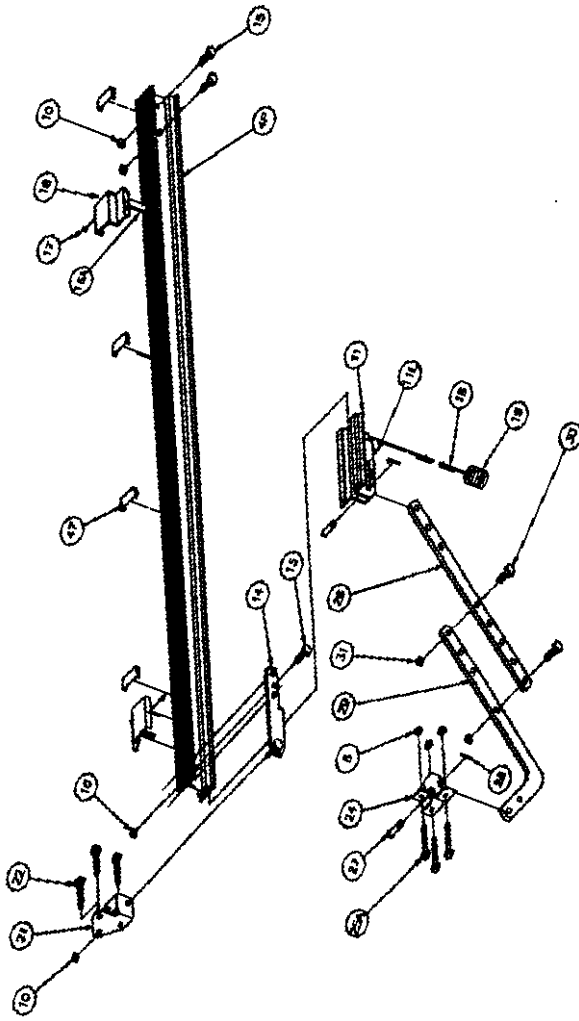


[33] Insulated Staple

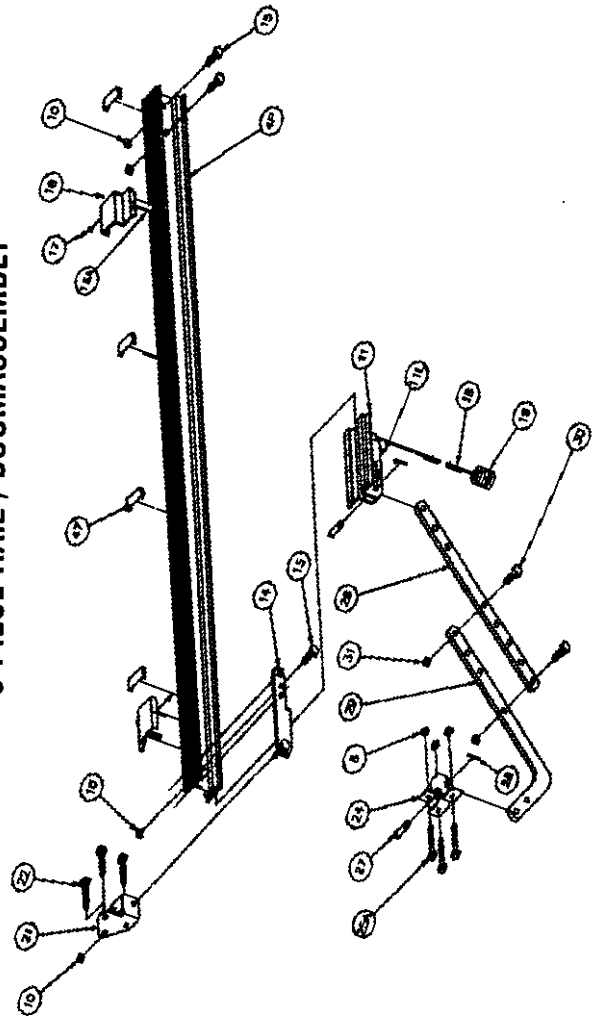


[10] Nut  
Tuerca  
Ecrrou

1-PIECE RAIL / BOOM ASSEMBLY  
1-PIECE RAIL / BOOM ASSEMBLY  
1-PIECE RAIL / BOOM ASSEMBLY



3-PIECE RAIL / BOOM ASSEMBLY  
3-PIECE RAIL / BOOM ASSEMBLY  
3-PIECE RAIL / BOOM ASSEMBLY



## PARTS LI

Item	Part Name
4	Rail / Boom Assembly
4P	One-Piece Rail
6	1/4"-20 Hex Flange Nut
10	5/16" Hex Flange Nut
11	Carriage Assembly
11L	Carriage Lever
14	Rail / Boom Strap
15	5/16" x 3/4" Hex Head Bolt
16	Limit Switch Assembly
16A	Limit Switch Arm
18	Release Cord
19	Release Knob
20	Emergency Release Tag
21	Header Bracket
22	5/16" x 2" Lag Screw
23	1/4"-20 x 5/8 Hex Head Bolt
24	Door Bracket
25A	1/4" x 2" Carriage Bolt
25B	1/4" x 2" Lag Screw (Not Shown)
26	Straight Door Arm
27	Clevis Pin
28	Cotter Pin
29	Curved Door Arm
30	3/8" x 7/8" Hex Head Bolt
31	3/8" Hex Flange Nut
32	Wire
33	Insulated Staple
34	Wall Button
35	No. 4 x 1" Wood Screw
36	Wall Console
37	No. 6 x 3/4" Pan Head Screw
38	Entrapment WARNING Label
39	Safe-T-Beam (STB) System Sensor
40	Safe-T-Beam (STB) System Source
41	Safe-T-Beam (STB) System Bracket "A"
42	Safe-T-Beam (STB) System Bracket "B"
43	No. 8-32 x 1-1/2" Phillips Pan Head Screw
44	No. 8-32 Hex Nut
45	No. 10 x 1" Phillips Pan Head Screw
46	1-Button Remote Control
47	3-Button Remote Control
48	Keypad
49	Wire Clip
50	#8-32 x 3/4 Screw
51	Safety & Maintenance Guide
52	Wire Clip (wide)

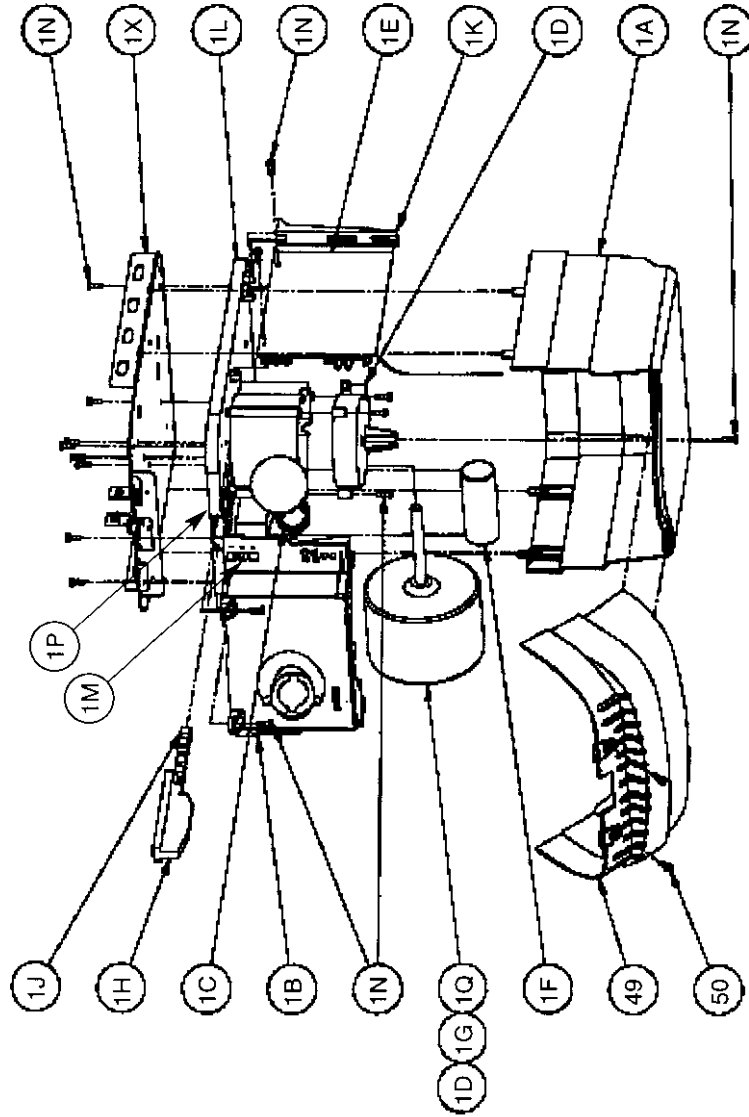
## LISTA DE PIEZAS

Item	Nombre de la pieza
4	Conjunto del riel
4P	Riel sencillo
6	Tuerca de reborde hexagonal de 1/4"-20
10	Tuerca de reborde hexagonal de 5/16"
11	Conjunto del corredizo
11L	Palanca del corredizo
14	Banda del riel
15	Perno de cabeza hexagonal de 5/16" x 3/4"
16	Conjunto del interruptor limitador
16A	Brazo del interruptor limitador
18	Cuerda de soltar
19	Perilla de soltar
20	Etiqueta de soltar de emergencia
21	Escuadra del travesaño
22	Tirafondo de 5/16" x 2"
23	Perno de cabeza hexagonal de 1/4"-20 x 5/8"
24	Escuadra de la puerta
25A	Perno de carruaje de 1/4" x 2"
25B	Tirafondo de 1/4" x 2" (No se muestra)
26	Brazo recto de la puerta
27	Pasador de horquilla
28	Clavija hendida
29	Brazo curvo de la puerta
30	Perno de cabeza hexagonal de 3/8" x 7/8"
31	Tuerca de reborde hexagonal de 3/8"
32	Alambre del sistema STB
33	Grapa aislante
34	Botón de pared
35	Tornillo para madera No. 4 x 1"
36	Consola de pared
37	Tornillo de cabeza troncocónica No. 6 x 3/4"
38	Etiqueta de ADVERTENCIA de atrapamiento
39	Sensor del sistema Safe-T-Beam (STB)
40	Fuente del sistema Safe-T-Beam (STB)
41	Escuadra "A" del sistema Safe-T-Beam (STB)
42	Escuadra "B" del sistema Safe-T-Beam (STB)
43	Tornillo Phillips de cabeza troncocónica No. 8-32 x 1-1/2"
44	Tuerca hexagonal No. 8-32
45	Tornillo Phillips de cabeza troncocónica No. 10 x 1"
46	Control Transmisor
47	Sujetador de cable
48	Tornillo de #8-32 x 3/4"
51	Guía de seguridad y mantenimiento
52	Sujetador de cable (ancho)

## NOMENCLATURE DES PIÈCES

Art	Nom de la pièce
4	Assemblage du rail
4P	Rail monopiece
6	Écrou à collet à tête hexagonale de 1/4"-20
10	Écrou à collet à tête hexagonale de 5/16"
11	Assemblage du chariot
11L	Levier du chariot
14	Bride de rail
15	Boulon à tête hexagonale de 5/16" x 3/4"
16	Assemblage de butée de fin de course
16A	Bras de butée de fin de course
18	Cordon de déclenchement
19	Bouton de déclenchement
20	Étiquette de déclenchement d'urgence
21	Support de linteau
22	Vis à tête hexagonale de 5/16" x 2"
23	Boulon à tête hexagonale de 1/4"-20 x 5/8"
24	Support de porte
25A	Boulon du chariot de 1/4" x 2"
25B	Vis à tête hexagonale de 1/4" x 2" (non illustrée)
26	Bras droit de porte
27	Axe de chape
28	Goupille fendue
29	Bras courbé de porte
30	Boulon à tête hexagonale de 3/8" x 7/8"
31	Écrou à collet à tête hexagonale de 3/8"
32	Fil du système STB
33	Agrafe isolée
34	Bouton mural
35	Vis à bois n° 4 x 1"
36	Console murale
37	Vis à tête cylindrique n° 6 x 3/4"
38	Étiquette d'AVERTISSEMENT en cas de coincage
39	Détecteur du système Safe-T-Beam (STB)
40	Source du système Safe-T-Beam (STB)
41	Support A du système Safe-T-Beam (STB)
42	Support B du système Safe-T-Beam (STB)
43	Vis Phillips à tête cylindrique n° 8-32 x 1-1/2"
44	Écrou à tête hexagonale n° 8-32
45	Vis Phillips à tête cylindrique n° 10 x 1"
46	Télécommande
47	Pince à fil
48	Vis n° 8-32 x 3/4"
51	Guide d'entretien et de sécurité
52	Pince à fil (large)

**[1]** Power Head Assembly  
 Conjunto de la caja de control  
 Assemblage de la tête d'alimentation



**PARTS LIST**

Item	Part Name
1	Power Head Assembly
1A	Cover (By Series/Model)
1B	Front Plate Assembly
1C	Light Socket
1D	Motor Parts
1E	Circuit Board Assembly
1F	Capacitor (By Series/Model)
1G	Opto Wheel (Not Shown)
1H	Carriage Slide
1J	Chain
1K	Circuit Board Bracket
1L	Drive Module
1M	Terminal Strip
1N	No. 8 x 3/4" Hex Washer Head Screw
1P	Shock Absorption Stop (Not Shown)
1Q	Motor Mount Bracket (Not Shown)
1X	Chassis
49	Lens
50	No. 8-32 x 3/8" Phillips Pan Head Screw

**LISTA DE PIEZAS**

Item	Nombre de la pieza
1	Conjunto de la caja de control
1A	Tapa (por serie/modelo)
1B	Conjunto de la placa frontal
1C	Casquillo de bombilla de luz
1D	Piezas del motor
1E	Conjunto del tablero de circuitos
1F	Capacitor (por serie/modelo)
1G	Rueda opto (No se muestra)
1H	Deslizamiento del corredizo
1J	Cadena
1K	Escuadra del tablero de circuitos
1L	Módulo accionador
1M	Reguleta Terminal
1N	Tornillo de cabeza hexagonal con arandela No. 8 x 3/4"
1P	Parada de absorción de choque (No se muestra)
1Q	Escuadra de montaje del motor (No se muestra)
1X	Bastidor
49	Lente
50	Tornillo Phillips de cabeza troncocónica No. 8-32 x 3/8"

**NOMENCLATURE DES PIÈCES**

Art	Nom de la pièce
1	Assemblage de la tête d'alimentation
1A	Couvercle (selon série/modèle)
1B	Assemblage de la plaque avant
1C	Douille d'ampoule
1D	Pièces du moteur
1E	Assemblage du circuit imprimé
1F	Condensateur (selon série/modèle)
1G	Roue Opto (non illustrée)
1H	Coulisseau du chariot
1J	Chaîne
1K	Support du circuit imprimé
1L	Module d'entraînement
1M	Planchette de Bornes
1N	Vis à rondelle à tête hexagonale n° 8 x 3/4"
1P	Butoir d'amortissement (non illustré)
1Q	Support de montage du moteur (non illustré)
1X	Châssis
49	Lenille
50	Vis Phillips à tête cylindrique n° 8-32 x 3/8"

## OPENER FEATURES

### **INTELLICODE Access Security System**

Improves security of Door Opener by continuously changing the access code each time the Remote Control is used. The Door Opener responds to each new code only once. An access code copied from a working system and tried again will not control the Door Opener.

### **INTELLICODE Deluxe Remote Control**

Controls Door Opener by allowing the Overhead Door to be opened and closed from a vehicle.

### **INTELLICODE Multi-Button Remote Control**

Operates multiple Door Openers from vehicle.

### **Lighted Wall Button**

Operates Door Opener from inside garage. DO NOT use with Deluxe Wall Console

### **Deluxe Wall Console**

Works like the Lighted Wall Button but also includes a Security Vacation Lock Switch that disables all controls. Also, included is Automatic Lighting System that allows manual control of the lights

### **Automatic Lighting System**

Two light bulbs up to 60 Watts each are used for safer entries and exits. The Light turns on when Door is activated and automatically turns off five minutes later.

### **Manual Emergency Release**

Allows the Overhead Door to be opened or closed manually for emergency and maintenance.

### **Keypad**

Operates up to 3 Door Openers from outside the garage. A Battery Saver that shuts unit off if cover is left open. Lastly there is a Security Lock Out that automatically shuts off keypad after 3 incorrect PIN entries.

**NOTE:** All items may not be equipped with your Overhead Door Opener

**Opener MUST be installed with the included Wall Control.**

## CARACTERÍSTICAS DE COLOCACIÓN

## CARACTERÍSTICAS DE FUNCIONAMIENTO

El operador DEBE instalarse con el control de pared que se incluye.

L'ouvre-porte DOIT être installé avec la commande murale incluse.

## SAFETY FEATURES

### **Safe-T-Beam® (STB) Non-Contact Reversing System**

Places an invisible beam across Door opening, that reverse the door to the fully open position if anything passes through beam.

### **Safe-T-Reverse® Contact Reversing System**

Automatically stops and reverses a closing Door within 2 seconds of contact with an object.

### **Safe-T-Stop® Timed Reversed System**

Automatically opens a closing Door, if door does not close within 30 seconds.

### **Force Guard™ Control**

Used to set the force required for opening and closing door. For maximum safety, set the minimum force required to fully open and close Door.

### **Relay Monitoring System**

Automatically stops and reverses a closing Door if closing relay has a problem.

### **Watch Dog® Monitoring System**

Automatically stops and reverses a closing Door if Safe-T-Beam System has a problem.

## CARACTERÍSTICAS DE SEGURIDAD

## CARACTERÍSTICAS DE SEGURITÉ

**Safe-T-Beam® Safety Reverse System  
MUST Be Installed To Close Door.**

**El sistema inverso de seguridad Safe-T-Beam®  
DEBE estar instalado para cerrar la puerta.**

**Le système d'inversion de sécurité Safe-T-Beam®  
DOIT être installé pour fermer la porte.**






## OVERVIEW OF POTENTIAL HAZARDS

Overhead Doors are large, heavy objects that move with the help of springs under high tension and electric motors. Since moving objects, springs under tension, and electric motors can cause injuries, your safety and the safety of others depend on you reading the information in this manual. If you have questions or do not understand the information presented, call your nearest service representative.

In this Section and those that follow, the words **Danger**, **Warning**, and **Caution** are used to emphasize important safety information. The word:

- ! **DANGER** means that severe injury or death will result from failure to follow instructions.
- ! **WARNING** means that severe injury or death can result from failure to follow instructions.
- ! **CAUTION** means that property damage or injury can result from failure to follow instructions.

The word **NOTE** is used to indicate important steps to be followed or important considerations.

POTENTIAL HAZARD	EFFECT	PREVENTION
 MOVING DOOR	<b>WARNING:</b> Can Cause Serious Injury or Death	Keep people clear of opening while Door is moving.  Do Not allow children to play with the Door Opener.  Do Not operate a Door that jams or one that has a broken spring.
 ELECTRICAL SHOCK	<b>WARNING:</b> Can Cause Serious Injury or Death	Turn off power before removing Opener Cover.  When replacing Cover, make sure wires are not pinched or near moving parts.  Opener must be properly grounded.
 HIGH SPRING TENSION	<b>WARNING:</b> Can Cause Serious Injury or Death	Do Not try to remove, repair or adjust springs or anything to which Door spring parts are fastened, such as, wood blocks, steel brackets, cables or other like items.  Repairs and adjustments must be made by a trained service person using proper tools and instructions.

## 1 1 PIECE OPERATOR ASSEMBLY

**NOTE:** Assemble Operator on a clean, flat surface

### 1. Install Rail/Boom Strap

- Attach to end of Rail/Boom Assembly by Overhead Door
- Secure with two Bolts (15) and Nuts (10)

### 2. Install Carriage Stop

- Slide in Carriage Slot of Rail Assembly below Rail / Boom Screw

### 3. Install Carriage

- Place Carriage Release Lever in Down Position
- Slide in Carriage slot of Rail / Boom Assembly

**NOTE:** Carriage Release Lever will be facing the Power Head

### 4. Attach Emergency Release Knob and Cord

- Tie overhand knot at the end of cord
- Thread Cord through Knob
- Thread Cord through hole in Carriage Lever
- Tie overhand knot in other end of Cord

**NOTE:** Adjustments to Emergency Release Cord length will be made after Power Head is mounted.

### 5. Attach Emergency Release Tag

- Thread wire through hole in Carriage Lever
- Wrap wire around itself and tie securely

## 1 1 PIECE OPERATOR ASSEMBLY

## 1 1 PIECE OPERATOR ASSEMBLY

- 
- 6. Install Coupler**
- Place Power Head upside down
  - Align and Slide on Motor Shaft
- 7. Install Bumper**
- Remove protective backing
  - Stick on Power Head in slot above Drive Screw location
- 8. Extend Screw from Rail / Boom Assembly**
- Move Carriage to center of Rail / Boom Assembly
  - Place Carriage Release Lever in down position
  - Push Drive Screw out of Rail / Boom Assembly about 5 inches
- 9. Insert Drive Screw into Coupler**
- Align and Insert Drive Screw into Coupler
  - Rotate Rail / Boom Assembly
- 10. Check Rail Assembly position with Power Head**
- Rotate Rail / Boom around Drive Screw
- NOTE** On top of Power Head are mounting brackets and on bottom of Rail / Boom Assembly are the Carriage, Carriage Stop and Drive Screw.
- 11. Push Rail Assembly into Power Head**
- Check Rail / Boom and Power Head holes for alignment
- NOTE:** If holes do not line-up, repeat Steps 6-11
- 12. Attach Rail Assembly to Power Head**
- Connect with two Bolts (5) and Nuts (6)
-

### 13. Install L Switch Wires

- Turn Power Head and Rail / Boom Assembly right-side up
- Insert wires in groove on top of Rail / Boom Assembly

### 14. Connect Limit Switches

- Place on Right side over wires
  - Move "OPEN" switch 12 inches from Power Head
  - Move "CLOSE" switch 12 inches from end of rail
- Tighten Screw on Limit Switch Brackets
- Attach "OPEN" Limit Switch wires to Terminals on Power Head
  - Place one wire to Terminal 4
  - Place one wire to Terminal 5
- Attach "CLOSE" Limit Switch wires to Terminals on Power Head
  - Place one wire to Terminal 5
  - Place one wire to Terminal 6
- Bundle excess wire with twist tie

**NOTE:** Right side of Rail / Boom Assembly is when looking from Rail / Boom Strap to Power Head.

Limit Switch adjustments will be made later.

## 2 3 PIECE OPERATOR ASSEMBLY

**NOTE:** The 3 Piece Operator Assembly is for a 7 foot 6 inch door though you may buy an extension for an 8 foot door.

Assemble on a clean, flat surface.

1. **Install Rubber Bumper**
  - Turn Power Head upside down
  - Remove protective backing
  - Place in slot above Motor Shaft on Power Head
2. **Install Coupler Sleeve**
  - Align and slide on Motor Shaft
3. **Install First Rail / Boom Section**
  - Push Drive Screw out about 5 inches
  - Align and slide Drive Screw into Coupler Sleeve
  - Push and Align holes on Rail / Boom and Power Head
    - Connect with Bolts (5) and Nuts (6)
4. **Install Carriage Stop**
  - Place tabs up on Carriage Stop
  - Set into Carriage Slot against Bumper
5. **Arrange Arrows on Rail / Boom Sections**
  - Remove Rail / Boom Sections from the Protective Tube
  - Point Arrows on All Rail / Boom Sections in same direction

### **CAUTION**

Drive Screw Section and Rail / Boom Liner can slide out of Rail Sections. Keep Rail / Boom Sections level until Operator is fully assembled.

## 2 3 PIECE OPERATOR ASSEMBLY

## 2 3 PIECE OPERATOR ASSEMBLY

- 6. Attach Rail Clamps to Middle Rail / Boom Section**
  - Place a set of Rail Clamps at the end of Rail
  - Finger tighten Rail Clamps with Bolts (9 ) and Nuts (10)
- 7. Install Slide Carriage**
  - Point Arrows in same direction as Rail / Boom Section
  - Place Carriage in center of Middle Rail / Boom Section
- 8. Set Middle Drive Screw**
  - Pull Carriage Lever up
  - Use Carriage to move Drive Screw out about 2 inches
- 9. Assemble Middle Drive Screw Joints**
  - Slide Collar on long end of Drive Screw Joint
  - Turn screw by hand to align Coupler Hooks
  - Engage Coupler Hooks
  - Slide Collar over Hooks
  - Snap Clip behind Collar toward door
- 10. Attach Middle Rail / Boom Section**
  - Slide Rail / Boom between clamps
  - Connect by finger tightening Bolts (9) and Nuts (10)
- Note:** If you have an eight foot door refer to the instruction sheet included with the extension at this point.
- 11. Connect End Rail Section**
  - Repeat Steps 8-10 for End Rail / Boom Section
- 12. Attach Rail / Boom Strap**
  - Connect to End Rail / Boom Section with Bolts (15) and Nuts (10)
- 13. Tighten all Nuts and Bolts**

**14. Attach Emergency Release Knob**

- Tie overhand knot at end of cord
- Thread Cord through Knob
- Thread Cord through hole in Carriage Lever
- Tie overhand knot at end of cord

**15. Attach Emergency Release Tag**

- Thread wire through small hole in Carriage Lever
- Wrap Wire around itself, tie tight

**16. Install Limit Switch Wires**

- Turn Power Head and Rail Assembly right-side up
- Insert wires in groove on top of Rail Assembly

**17. Connect Limit Switches**

- Place on Right side over wires
  - Move "OPEN" switch 12 inches from Power Head
  - Move "CLOSE" switch 12 inches from end of rail
- Tighten Screw on Limit Switch Brackets
- Attach "OPEN" Limit Switch wires to Terminals on Power Head
  - Place one wire to Terminal 4
  - Place one wire to Terminal 5
- Attach "CLOSE" Limit Switch wires to Terminals on Power Head
  - Place one wire to Terminal 6
  - Place one wire to Terminal 5
- Bundle excess wire with twist tie

**NOTE:** Do not overtighten Screw on Limit Switch Brackets

Right side of Rail / Boom Assembly is when looking from Rail / Boom Strap to Power Head.

Final Limit Switch adjustments will be made later.

### 3 INSTALLATION

## IMPORTANT INSTALLATION INSTRUCTIONS

### WARNING:

#### To reduce the risk of severe injury or death:

1. READ AND FOLLOW ALL SAFETY, INSTALLATION AND OPERATION INSTRUCTIONS. If you have any questions or do not understand an instruction, call your service representative.
2. Do Not install opener on an improperly balanced Door. An improperly balanced Door could cause severe injury. Repairs and adjustments to cables, spring assembly, and other hardware must be made by a trained service person using proper tools and instructions.
3. Remove or disable all ropes, handles and locks connected to the Door before installing Opener.
4. Install Door Opener 7 feet or more above the floor. Mount the Emergency Release Knob 6 feet above the floor.
5. Do Not connect the Opener to the source of power until instructed to do so.
6. Locate the Control Button:
  - Within sight of Door.
  - At a minimum height of 5 feet, so small children cannot reach it.
  - Away from all moving parts of the Door.
7. Install the Entrapment WARNING Label next to the Wall Button or Console. Install the Emergency Release Tag on, or next to, the Emergency Release.
8. The opener must reverse when the Door contacts a 1-1/2 inch high object on the floor at the center of the Doorway. This is about the size of a 2 by 4 board laid flat.

### 3 INSTALACION

## IMPORTANTES INSTRUCCIONES DE INSTALACION

### ADVERTENCIA:

#### Para disminuir el riesgo de lesiones severas o la muerte:

1. LEA Y SIGA TODAS LAS INSTRUCCIONES DE SEGURIDAD, INSTALACION Y OPERACION. Si tuviera alguna pregunta o no entiende alguna instruccion, llame al representante de servicio.
2. No instale el abridor en una puerta mal equilibrada. Una puerta mal equilibrada podria causar lesiones severas. Las reparaciones y ajustes de cables, del conjunto del resorte, y otros herrajes deben hacerse con personal de servicio capacitado, usando las herramientas y las instrucciones apropiadas.
3. Retire todos los cables, mangos y quife, o deshabilite todos los cerrojos conectados a la puerta antes de instalar el abridor.
4. Instale el abridor de la puerta a 7 pies (2.13 m) o más sobre el piso. Monte la perilla de soltar de emergencia a 6 pies (1.83 m) sobre el piso.
5. No conecte el operador a la fuente de alimentacion eléctrica hasta que se le instruya que conecte.
6. Localice el botón de control:
  - a la vista de la puerta,
  - a una altura mínima de 5 pies (1.52 m), de manera que los niños pequeños no alcancen,
  - alejado de todas las piezas móviles de la puerta.
7. Instale la etiqueta de ADVERTENCIA de atrapamiento junto al botón de pared o a la consola de pared. Instale la etiqueta de soltar de emergencia sobre o junto a la cuerda de soltar de emergencia.
8. El abridor debe invertir la dirección de cierre cuando la puerta entra en contacto con algún objeto de 1-1/2" (3.8 cm) de altura en el piso, en el centro del vano de la puerta. Este es el tamaño de una madera de 2" x 4" puesta de plano.

### 3 INSTALLATION

## IMPORTANTES DIRECTIVES D'INSTALLATION

### AVERTIS

#### Pour réduire les risques de blessures graves ou de mort :

1. LIRE ET SUIVRE ATTENTIVEMENT TOUTES LES DIRECTIVES D'INSTALLATION, DE SECURITE ET DE FONCTIONNEMENT. Pour toute question, ou si une directive est incomprise, communiquer avec le représentant de service.
2. Ne pas installer l'ouvre-porte sur une porte mal équilibrée. Celle-ci pourrait provoquer une blessure grave. Les réparations et l'ajustement des câbles, ensembles de ressorts et tout autre article de quincaillerie doivent être effectués par une personne qualifiée qui se sert des outils appropriés et qui suit les directives établies.
3. Enlever toutes les cordes et poignées et retirer ou désactiver toutes les serrures de la porte avant d'installer l'ouvre-porte.
4. Installer l'ouvre-porte à au moins 2.13 m (7') au-dessus du sol. Poser le bouton de déclenchement d'urgence à 1.83 m (6') de hauteur.
5. Ne pas raccorder l'ouvre-porte à la source d'alimentation avant d'arriver à la directive disant de le faire.
6. Placer le bouton de commande :
  - en vue de la porte,
  - à une hauteur minimale de 1.5 m (5') pour que les jeunes enfants ne puissent l'atteindre,
  - loin de toute pièce mobile de la porte.
7. Poser l'étiquette d'AVERTISSEMENT en cas de coincage à proximité du bouton mural ou de la console murale. Poser l'étiquette de déclenchement d'urgence sur ou à proximité du dispositif de déclenchement d'urgence.
8. La marche de l'ouvre-porte doit s'inverser si la porte entre en contact avec un objet de 3.8 cm (1-1/2") de hauteur placé sur le sol, au centre de l'ouverture de la porte. Ceci équivaut environ à une planche de 2 par 4 posée à plat sur le sol.



1. Determine of Overhead Door
  2. Find Center of Door and Header
    - Close Door
    - Measure Overhead Door Width
      - Mark a "C" in the center on the inside Door and Header
  3. Find Header Bracket Position
    - Raise Door, watching top edge of Door
    - Stop Door when edge reaches highest point of travel
    - Measure distance from top edge of Door to floor
      - For Track Guided Door add 2-1/2 inches
      - For Trackless Door add 6 inches
    - Mark Header with an "H"
    - Draw horizontal line "H" across line "C"
- NOTE:** If Spring is in the way, place Header Bracket above Spring. Do Not move Spring

### **CAUTION**

Header Bracket must be fastened to garage framing. Do Not fasten to drywall, particle board, plaster or other such material

4. Mount Header Bracket
  - Set top and bottom holes 3/4 inches right of line "C"
  - Set bottom of bracket on line "H"
  - Mark 3 hole positions
  - Drill three 7/32 inch holes
  - Screw in Bracket with 3 Lag Screws (22)
5. Attach Rail / Boom Strap
  - Place threads through hole on Header Bracket
  - Finger tighten Nut (10) on threads

## 11. Install Door Bracket

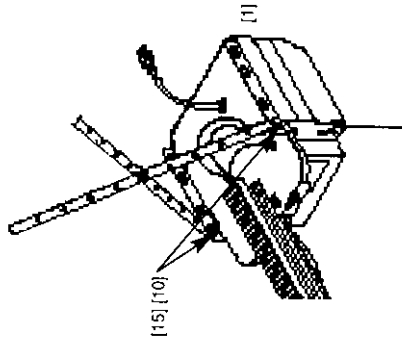
- Side of Door
  - Set on line "C" inside Door
  - Set Bracket toward highest point of Door
  - Mark 3 hole locations
  - Drill three 1/4 inch holes through Door
  - Insert Bolts (25A) from outside
  - Tighten Nuts (6) inside
- Top of Door
  - Set on line "C" inside Door
  - Set Bracket on top edge of door
  - Mark 3 hole locations
  - Drill 5/32-inch holes
  - Screw Lag Bolts (25B) in top of Door

**NOTE:** Installing Door Brackets on side of Overhead Door is recommended, but it may be required to mount on Top

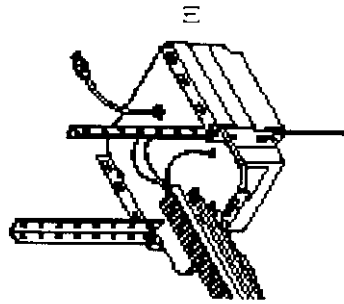
### Alternate Mounting Methods / Métodos de montaje alternativos / Méthodes de montage alternatives

**NOTE:** Materials not included. / NOTA: No se incluyen los materiales. / REMARQUE : Matériaux non inclus.

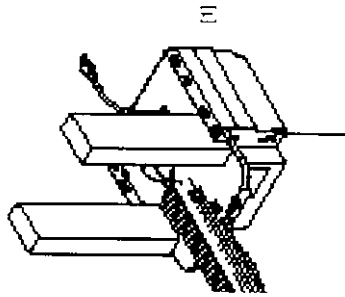
Mounting Straps  
Bandas de montaje  
Brides de fixation



Perforated Angle Iron  
Método de hierro ángulo perforado  
Cornière perforée



Lumber  
Método de madera  
Bois de construction



Conduit  
Método de conducto  
para cables Tuyau

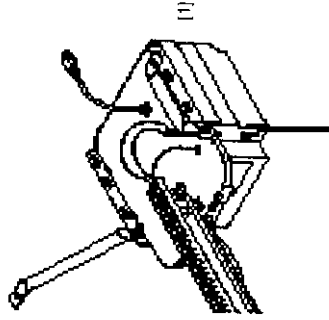


Fig. 2-6B

**NOTE:** Garage constructions differ. You may have to modify the basic procedure. You may need additional materials. Read all instructions completely. Determine your needs. Secure all additional materials before proceeding.

## 12. Install Door Arms

- For Sectional Doors
  - Insert Straight Arm into Carriage
  - Secure with Clevis and Cotter Pin
  - Place Curved Arm into Door Bracket
  - Secure with Clevis and Cotter Pin
- For One-Piece Doors
  - Insert Curved Arm into Carriage Slot
  - Secure with Clevis and Cotter Pin
  - Place Straight Arm into Door Bracket

## 13. Close Door Completely

## 14. Slide Carriage toward Door

## 15. Join Door Arms

- Overlap Door Arms
- Move Carriage 8 to 10 inches from end of rail / boom to align holes
- Attach with Bolts (30) and Nuts (31)

**NOTE:** For Sectional Doors use holes as far apart as possible, and as long as possible for One Piece Doors

## 16. Adjust Emergency Release Cord

- Place Knob 6 feet from floor
- Tie Knot
- Cut excess cord
- Check all hardware for tightness

**NOTE:** If clevis or cotter pin needs removed there is a lot of force.

## 4 LIGHT BULB AND LENS INSTALLATION

### 1. Record information on Purchase Information Sheet

- Included on back of manual
- Date Purchased
- Serial/Mfg. No.
- Opener and Remote Control Model
- Dealer Name and address

### 2. Install Light Bulbs

- Remove Power from Operator (if required)
  - Unplug
  - Turn circuit off
- Remove Lens Cover (if required)
  - Pull down on front of lens cover
- Do **Not** use short neck bulbs
- Use bulbs rated for:
  - 60 Watts Maximum
  - Rough Service
  - Vibration
  - Appliances
- Screw bulbs clockwise into light socket

**NOTE:** Do Not overtighten light bulbs in socket.

### 3. Install Lens Cover

- Bend hinge tabs up toward cover
- Align with slots on Power Head Cover
- Move antenna outside of lens
- Push hinges in slots on cover until they snap in place
- Swing antenna straight down

## 4 LIGHT BULB AND LENS INSTALLATION

## 4 LIGHT BULB AND LENS INSTALLATION

## 5 BATTERY / VISOR CLIP INSTALLATION

### 1. Install/Replace Battery

- Turn Remote Control upside down
- Find a ball point pen, coin, or small screwdriver
- Use item to gently push straight in on tab
- Cover snaps open
- Install new **EVEREADY** A23, 12 Volt battery
- Replace Battery Cover

**NOTE:** Use only **EVEREADY** A23, 12 Volt battery

### 2. Attach Visor Clip

- Slide Clip in slot on back of Remote Control
- Snap in place

## 5 BATTERY / VISOR CLIP INSTALLATION

## 5 BATTERY / VISOR CLIP INSTALLATION

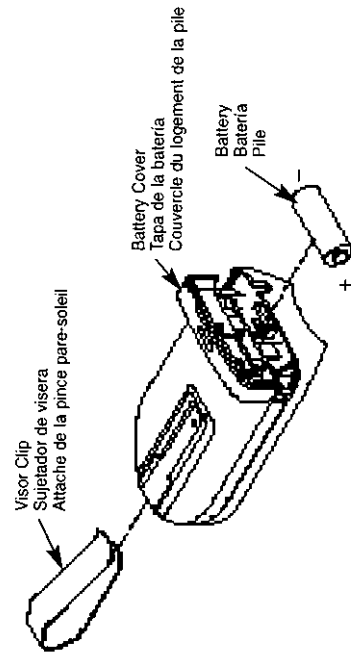


Fig. 10-2

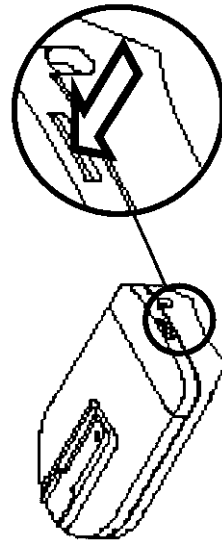


Fig. 10-1

**MODIFICATIONS TO OPERATOR MAY VOID WARRANTY.**

Opener will **NOT** close Door automatically unless Safe-T-Beam System is installed.

**NOTE:** If problem exists, door can be closed by pressing and holding Wall Control Button until completely closed.

Remote Control will not close door if problem exist.

STB Lenses **MUST** be 4"-6" above floor.

**1. Mark inside door framing 4" -6" from floor****2. Install Mounting Brackets**

- Connect to each side of inside Door Framing
- Use 2 Hex Head Phillips Screws for each

**NOTE:** Mounting Brackets can be attached to floor using anchors

**3. Fasten STB's [39&40] to Mounting Brackets**

**NOTE:** Place Sensor [39] on side that gets the least amount of direct sun (Sensor has GREEN LED and Source has Red LED.)

- Slide STB's onto Brackets
- Over tongue of bracket
- Until small tabs snap into holes on bracket
- Make sure Lenses point at each other

4. **Run wire from Power Head [1] to Source [40]**
  - In Groove / Rail / Boom, over Header Bracket, down side of Door
  - Allow enough wire to make connections
  - Cut off excess wire and save
5. **Run wire from Source to Sensor**
  - Use Wire [32] remaining from step 4
  - Over Door Frame, and away from moving parts
  - Allow enough Wire to make connections
  - Cut off excess Wire and save
6. **Remove 1/2" of insulation from ends of Wires**
7. **Connect Wires to Sensor from Source**
  - Press tan release tabs
  - Place wire in green slots and release tab
8. **Connect Wires from Sensor and Power Head to Source**
  - Twist wires together
  - Twist striped wires together and then solid wires together
  - Connect wires to Source as described in step 7
9. **Connect Wires to Power Head [1] from Source [40]**
  - Connect either wire to Terminal 2 and 3
10. **Secure Wires**
  - Use Staples [33] to hold to Door Frame
  - Use Wire Clips [47] to hold to Rail / Boom

**NOTE:** Use only staples included.



**WARNING**

Power cord must be unplugged before attaching wires. Be sure wire ends do not touch each other or other terminals.

**CAUTION**

- Use of any other Wall Control can cause the Door to operate unexpectedly and the light not to work
- Cut or pinched Wires can cause Door Operator to malfunction. Drive staples just tight enough to hold Wires

**1. Run Wire [32] from Power Head [1] to Wall Control**

- Place Wall Control:
  - In sight of Door and away from moving parts
  - At least 5 feet from floor, so small children cannot reach it
- Use staples [33] to fasten Wire to ceiling and wall

**NOTE:** Use only staples included.

**2. Remove 1/2 inch of insulation from each Wire****3. Attach Wires to terminals**

- Loosen, but Do Not remove Screw from Terminals
- Connect Striped Wires
  - To Terminal "1" on Power Head
  - To Terminal "B" on Wall Control
- Connect Solid Wires
  - To Terminal "2" on Power Head
  - To Terminal "W" on Wall Control



#### 4. Mount Wall Control

- For Wall Button.
  - Use Wood Screws (35) to attach
- For Deluxe Wall Console
  - Use Pan Head Screws (37) to attach

#### 5. Mount Entrapment WARNING Label

- Remove protective backing
- Stick on wall near Wall Control
- Use tacks or staples to permanently mount Label
- Make certain everyone reads and follows WARNINGS

**NOTE:** Use only wall control provided with operator.  
For additional wall controls, use only  
Part Number 22750R (Unlit Wall Button)

**1. Remove Covers**

- Slide Keypad cover up and remove
- Slide Battery Cover down and remove

**2. Mount Keypad**

- Find flat vertical surface
  - With room above to slide cover up
  - In-sight of Door and away from moving parts
  - Least 5 feet from floor, so small children cannot reach it
  - Out of direct weather
- Mark holes
- Drill 1/16" holes
- Fasten with 2 Pan Head Screws (37)
- Slide Keypad cover on Keypad

**3. Install Battery**

- Slide Battery Cover down and remove (If required)
- Install a **EVEREADY** A216, 9 volt battery
- Slide Battery Cover onto Keypad

**FCC and IC CERTIFIED**

This device complies with FCC Part 15 and RSS 210. Operation is subject to the following two conditions: (1) This device may not cause harmful interference, and (2) this device must accept any interference, including interference that may cause undesired operation of the device.

Changes or modifications not expressly approved by the manufacturer could void the user's authority to operate the equipment.

**WARNING**

To reduce the risk of electrical shock, this equipment has a grounding type plug that has a third (grounding) prong. This plug will only fit into a grounding type outlet. If the plug does not fit into the outlet, contact a qualified electrician to install the proper outlet. **DO NOT** change the plug in anyway. The Door Opener must be properly grounded to prevent personal injury and damage to the components.

The electrical power to the Door Opener **MUST** be turned off when Motor Cover is removed. Electrical power must remain off while making electrical connections.

**1. Check Local Building Codes**

- Does building codes require permanent wiring

**NOTE:** If permanent wiring is required, have an electrician install a circuit and Wire to Operator

**2. Plug Door Operator In**

- See Warning above
- Plug Door Operator into a grounded outlet

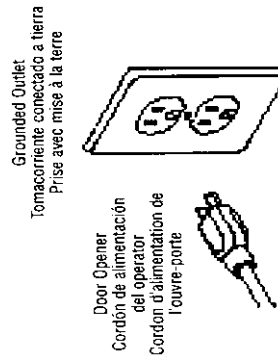


Fig. 6-1 Connect Opener to Power (See WARNING above)  
Conecte el abridor a la alimentación (Vea la ADVERTENCIA de arriba)  
Brancher l'ouvre-porte (voir l'AVERTISSEMENT ci-dessus)

### Instructions for Electrician

1. **Disconnect Power from Circuit**
2. **Remove Motor Cover**
  - Pull down on front of lens cover
    - Until cover snaps open
  - Remove 4 screws
    - On Motor Cover
3. **Remove and Discard Power Cord**
4. **Remove Knock-Out Plug**
  - Remove 7/8 inch Knock-Out Plug on back of Power Head
5. **Install Suitable Entrance Bushing**
6. **Install Permanent Wiring**
  - Connect White Supply Line to White Wire
  - Connect Black Supply Line to Black Wire
  - Connect Ground to Green Wire (Ground)

**NOTE:** Use only U.L. recognized Wire Nuts

7. **Replace Motor Cover**

- Replace and Tighten 4 screws
- Close lens cover

8. **Reconnect Power to Circuit**

**WARNING**

Set Door Opener so minimum force is needed to operate Door.  
Position ladder to the side of Power Head so it is clear of all moving parts of Power Head, Rail Assembly and Door.

**1. Adjust "OPEN FORCE"**

- Place Door in closed position using Wall Control
- Open Lens Cover
  - Pull down on front
- Find Screw marked "OPEN" on Power Head
- Turn screw gently counterclockwise until it stops

**NOTE:** Little effort is required to turn adjusting screw

- Run Operator using Wall Control
- Observe Door runs to "OPEN" Limit Switch
  - If not turn "OPEN" Force Screw clockwise slightly
  - Run Operator using Wall Control again
- Repeat until Door runs to "OPEN" Switch

**NOTE:** Set minimum force required to make the Door open  
Smaller the number the smaller the force

**2. Adjust "CLOSE FORCE"**

- Place Door in the open position using Wall Control
- Open Lens Cover
  - Pull down on front
- Find screw on Power Head marked "CLOSED"
- Turn screw gently counterclockwise until it stops

**NOTE:** Little effort is required to turn adjusting screw

- Run Operator using Wall Control
- Observe Door runs to "CLOSE" Limit Switch
  - If not turn "CLOSE" Force Screw Clockwise slightly
  - Run Operator Using wall Control again
- Repeat until Door runs to "CLOSE" Switch

**NOTE:** Set minimum force required to make Door close.  
Smaller the number the smaller the force

**WARNING**

Moving Door can cause serious injury or death.  
• Do Not start Door downward unless Doorway is clear.  
• Do Not allow children to operate

**1. Adjust "CLOSE" Limit Switch**

- Press Wall Control to open Overhead Door
- Press Wall Control to close Overhead Door
  - If Door does not close completely, move toward Doorway
  - If Door reverses, move toward Power Head
- Tighten Limit Switch Bracket Screw

**NOTE:** Do Not overtighten Limit Switch Bracket Screws

If Door stops and changes direction before reaching "CLOSE" Limit Switch, increase "CLOSE FORCE", repeat Final Adjustments of "CLOSE" Limit Switch and Contact Reverse.

**2. Adjust "OPEN" Limit Switch**

- Press Wall Control to close Overhead Door
- Press Wall Control to open Overhead Door
  - If Door does not open completely, move toward Power Head
- Tighten Limit Switch Bracket Screw

**3. Test Door Opener**

- Run Door up and down a few times using Wall Control
- Repeat steps 1 and 2 as required to set Limit Switches

## 13 CONTACT REVERSE

Limit Switch Adjustments must be completed before checking Contact Reverse.

### 1. Check Contact Reverse

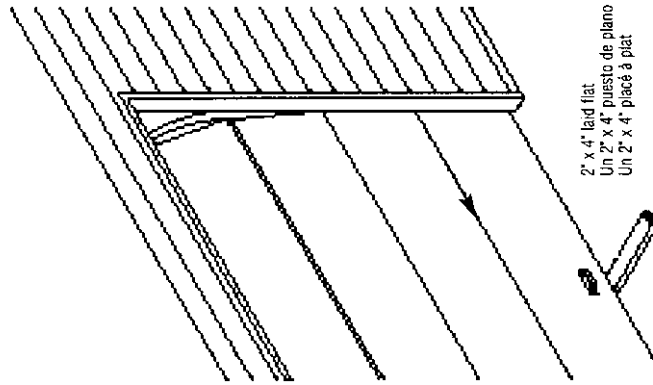
- Open Door using Wall Control
- Lay 2 by 4 board, flat in center of doorway
- Close Door using Wall Control
  - Door stops and reverses when it hits board

**NOTE:** If Door does not reverse Adjust "CLOSE" Force until Door reverses

Set minimum force required to make door close

## 13 CONTACT REVERSE

## 13 CONTACT REVERSE



CONTACT REVERSE / CONTACTO INVERSO / INVERSION AU CONTACT

## 14 PROGRAMMING REMOTE CONTROLS

### WARNING

Moving Door can cause serious injury or death.  
• Do Not start Door downward unless Doorway is clear  
• Do Not allow children to operate

**NOTE:** The factory sets different codes for each Remote Control. Remote Control will not work if STB's are not connected

#### 1. Program Single Button Remote

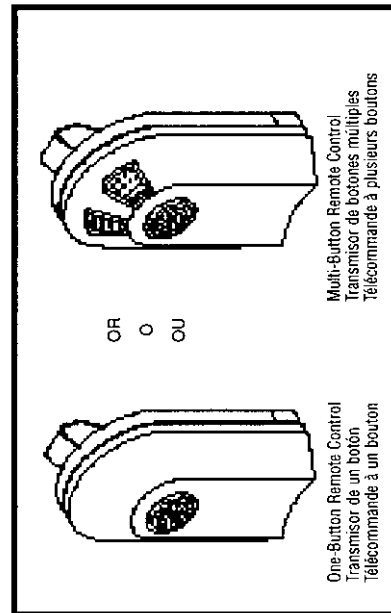
- Locate Learn Code Button and Status Light
  - Pull down on front of lens cover
  - In back of Power Head
- Press and release Learn Code Button
  - Red Indicator blinks 2 times per second
- Press Remote Control Button once within 30 seconds
  - Red Indicator stays lit
- Press Remote Control Button again
  - Red Indicator goes out and Memory is stored

**NOTE:** If Red Indicator blinks approximately 4 times per second, programming has stopped. If programming stops, repeat above steps.

#### 2. Program Multi-Button Remote

- Repeat Program Single Button Remote for each Button
- NOTE:** Each button on a Multi-Button Remote Control is for a different door.

Complete with / Completo con / avec  
 BATTERY / batería / pile





## 2. Program Multi-Button Remote

- Repeat Program Single Button Remote for each Button

**NOTE:** Each button on a Multi-Button Remote Control is for a different door.

## 3. Operate Remote Control

- Point Remote Control at Overhead Door
- Press Button on Remote Control
  - Door Moves
- Press Button again
  - Door Stops
- Press Button again
  - Door Reverses

**NOTE:** Door Automatically stops at end of open or close cycle

## 4. Erasing All Receiver Memory

- Press and Hold Learn Code Button
  - 10 seconds or until light goes out-Memory is erased
- Program Door Operator again

## FCC and IC CERTIFIED

This device complies with FCC Part 15 and RSS 210 of Industry Canada. This equipment has been tested and found to comply with the limits for a Class B digital device, pursuant to Part 15 of the FCC Rules. These limits are designed to provide reasonable protection against harmful interference in a residential installation. This equipment generates, uses and can radiate radio frequency energy and, if not installed and used in accordance with the instructions may cause harmful interference to radio communications. However, there is no guarantee that interference will not occur in a particular installation. If this equipment does cause harmful interference to radio or television reception, which can be determined by turning the equipment off and on, the user is encouraged to try to correct the interference by one or more of the following measures:

- Reorient or relocate the receiver antenna.
- Increase the separation between the operator and receiver.
- Connect the operator into an outlet on a circuit different from that to which the receiver is connected.
- Consult the dealer

**WARNING**

- Moving Door can cause serious injury or death.
- Keep people clear of opening while door is moving.
  - Do not allow children to play with Door Operator, Keypad or Remote Controls.
- If Safety reverse does not work properly:
- Close door and disconnect operator using manual release.
  - Do not use Door Operator, Remote Controls, or Keypad.
  - Refer to Door and Door Operator Owner's Manuals before attempting any repairs.

**1. Reset Wireless Keypad**

- Open Cover
- Press and hold "PROG" and "8"
- LED blinks 1 time and goes out
- Replace Cover

**2. Program Personal Identification Number (PIN)**

- Open Cover
- Enter Code
  - For first PIN enter 3-5-7
  - For second PIN enter 1-5-9
- Press "PROG"; LED blinks 1 time
- Enter desired PIN number (up to 8 digits)
- Press "PROG"; LED blinks 2 times per second
- Replace Cover

**3. Program Number of Door Operator(s) on Keypad**

- Open Cover
- Enter PIN 1
- Press "PROG" 3 times ; LED blinks 3 time a second
- Enter number of doors
- Press "PROG"; LED goes out
- Replace Cover

## **CAUTION**

During programming Door Operator, could begin to run, so stay away from moving door and its parts. To keep door from moving, close door and disconnect from operator by pulling EMERGENCY RELEASE HANDLE.

### **4. Programming Door Operator(s)**

- Open lens cover
  - pull down
- Press Operator Learn Code Button; Red LED Blinks
- Enter PIN 1 on Keypad
- Press "SEND" on Keypad
- Enter Door Number on Keypad
- Press "SEND" on Keypad
- Press "SEND"; Motor Runs
- Press "SEND"; Motor Stops
- Replace Covers

**NOTE:** Keypad can control up to 3 operators

### **5. Controlling Door Operations**

- Open Keypad Cover

**NOTE:** Do Not press any buttons until LED goes out.

- Enter Pin; LED blinks as keys are pressed on Keypad
- Press "SEND" on Keypad
- Enter Door Number; Door Moves
- Replace Cover

**NOTE:** If LED blinks on Keypad, PIN was entered wrong, close cover and start over.

Any keypad button will control door within 30 seconds after door begins to move or until cover is closed.

## 6. Change P'

- Open Co.
- Enter PIN to change
- Press "PROG"; LED blinks 1 time per second
- Enter new PIN
- Press "PROG"; LED blinks 2 times per second
- Replace Cover

**NOTE:** When PIN number is changed the Operator must be reprogrammed.

## 7. Adding Temporary PIN

- Open Cover
- Enter PIN
- Press "PROG" twice; LED blinks 2 times per second
- Enter Temporary PIN
- Press "PROG"; LED blinks 3 times per second
- Close Cover

## 8. Deleting Temporary PIN

- Temporary PIN will remain active until the next time PIN 1 is entered.

## FCC and IC CERTIFIED

This device complies with FCC Part 15 and RSS 210. Operation is subject to the following two conditions: (1) This device may not cause harmful interference, and (2) this device must accept any interference, including interference that may cause undesired operation of the device.

Changes or modifications not expressly approved by the manufacturer could void the user's authority to operate the equipment.

# IMPORTANT SAFETY INSTRUCTIONS

## **⚠ WARNING**

**To reduce the risk of  
severe injury or death:**

1. READ AND FOLLOW ALL INSTRUCTIONS.
2. Never let children operate or play with Door controls. Keep remote control away from children.
3. Always keep people and objects away from moving Door. Keep Door in sight until it is completely closed. **NO ONE SHOULD CROSS THE PATH OF THE MOVING DOOR.**
4. Test opener monthly. The OverheadDoor **MUST** reverse on contact with a 1-1/2 inch object (or a 2 by 4 board laid flat) at the center of the Doorway on the floor. After adjusting either the force or the limit of travel, retest the Door Opener. Failure to adjust the Opener properly may cause severe injury or death.
5. If possible, use the Emergency Release only when the Door is closed. Use caution when using this release with the Door open. Weak or broken springs may cause the Door to fall rapidly causing severe injury or death.
6. **KEEP OverheadDoor PROPERLY BALANCED.** See Door Owner's Manual. An improperly balanced Door could cause severe injury or death. Have a qualified service person make repairs to cables, spring assemblies, and other hardware.
7. The electrical power to the Door Opener **MUST BE** turned off when Power Head Cover is removed. Electrical power must remain off while making electrical connections.

**6. SAVE THESE INSTRUCTIONS**

## OPERATION

### 1. Wall Control Operations

- Security Locking Switch
  - Lock; disables all controls after Overhead Door closes
  - Unlock; allows all controls to work normal
- Overhead Door Control Button
  - Opens and Closes Door from inside Garage
  - Shows system is powered
  - Lights; Security Switch is unlocked
  - Light is out; Security Switch is locked
- Independent Light Control
  - Control Door Operator lights from inside Garage
  - Shuts off light 5 minutes after Overhead Door activation

### 2. Wall Button Operations

- Door Control Button
  - Opens and Closes Door from inside Garage

### 3. Remote Control Operations

- Door Control Button(s)
  - Opens and Closes Door(s) from vehicle

**NOTE:** On a Multibutton remote each button controls a different operator.

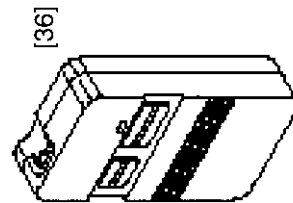
### 4. Keyless Entry System

- Keypad Cover
  - Open; Keypad is powered
  - Closed; Keypad is not powered

**NOTE:** If cover is left open the Keypad automatically shuts itself off

- Keypad
  - Controls up to 3 doors
  - Lighted Keypad
  - Security Lock Out after 3 wrong PIN entries
  - Opens and Closes Door from outside the Garage

**NOTE:** All items may not be equipped on your Overhead Door Opener



Picture of  
Multibutton Remote

Picture of Keyless Entry  
System

**MONTHLY MAINTENANCE****DOOR SPRINGS and DOOR HARDWARE**

- Oil Door Rollers, Bearings, and Hinges
    - Use Silicone Lubricant or Light Oil
- NOTE:** Do not operate Overhead Door automatically or manually if springs are broken. **CONTACT A PROFESSIONAL FOR SERVICE.**

**BALANCE DOOR**

- Close Door.
  - Release Carriage from Rail / Boom Assembly
    - pull Emergency Release Knob down
    - Raise Door manually about 3 feet
      - Door should stay in that position
- NOTE:** If Door moves, **HAVE DOOR SERVICED BY A PROFESSIONAL.**
- Reattach Carriage to Rail / Boom Assembly
    - Pull Emergency Release Knob toward Power Head
  - Close Door

**CONTACT REVERSE**

- Lay 2x4 board flat on the floor in the center of garage Doorway
  - Close Overhead Door using Wall Button or Remote Control
- NOTE:** If Overhead Door fails to reverse on contact with board. See **CONTACT REVERSE** Section. Though if opener still fails, replace Opener or **HAVE THE OPERATOR SERVICED BY A PROFESSIONAL.**

**YEARLY MAINTENANCE****Drive Screw**

- Lubricate Drive Screw
  - Use GLU4 Lubricant

**CAUTION**

Use only GLU4 Lubricant, because other lubricants may damage operator

Use This Guide To Correct Problems With Your Door Opener. If These Solutions Do Not Work, Call Customer Service.

Use esta guía para la corrección de problemas con el operador de la puerta. Si estas soluciones no funcionan, llame al Servicio al cliente.

Utiliser ce guide pour résoudre les problèmes posés par l'ouvre-porte. Si ces solutions ne fonctionnent pas, téléphoner au service à la clientèle.

**SELF-DIAGNOSTIC STB SYSTEM TROUBLESHOOTING**  
**CORRECCIÓN DE PROBLEMAS DEL SISTEMA DE STB DE AUTO-DIAGNÓSTICO**  
**DÉPANNAGE DU SYSTÈME STB A AUTO-DIAGNOSTIC**

SOURCE (RED LED) SOURCE (RED LED) SOURCE (RED LED)	SENSOR (GREEN LED) SENSOR (GREEN LED) SENSOR (GREEN LED)	Operating Condition Operating Condition Operating Condition
● ON ON ON	● ON ON ON	<b>A</b> •Normal Operation •Normal Operation •Normal Operation
○ OFF OFF OFF	○ OFF OFF OFF	<b>A</b> •Power Head Not Powered •Power Head Not Powered •Power Head Not Powered
○ OFF OFF OFF	● ON ON ON	<b>B</b> •Wiring from Power Head Bad •Wiring from Power Head Bad •Wiring from Power Head Bad
●●○ 2 BLINKS, PAUSE (REPEAT) 2 BLINKS, PAUSE (REPEAT) 2 BLINKS, PAUSE (REPEAT)	● ON ON ON	<b>B</b> •Remove Power and Reapply •Remove Power and Reapply •Remove Power and Reapply
●●○ 2 BLINKS, PAUSE (REPEAT) 2 BLINKS, PAUSE (REPEAT) 2 BLINKS, PAUSE (REPEAT)	● ON ON ON	<b>B</b> •Beam Not Aligned •Beam Not Aligned •Beam Not Aligned
●●○ 2 BLINKS, PAUSE (REPEAT) 2 BLINKS, PAUSE (REPEAT) 2 BLINKS, PAUSE (REPEAT)	○ OFF OFF OFF	<b>C</b> •Beam Obstructed •Beam Obstructed •Beam Obstructed
●●○ 3 BLINKS, PAUSE (REPEAT) 3 BLINKS, PAUSE (REPEAT) 3 BLINKS, PAUSE (REPEAT)	○ OFF OFF OFF	<b>C</b> •Sensor Defective •Sensor Defective •Sensor Defective
●●○ 4 BLINKS, PAUSE (REPEAT) 4 BLINKS, PAUSE (REPEAT) 4 BLINKS, PAUSE (REPEAT)	○ ON ON ON	<b>C</b> •Wire to Sensor Missing or Bad •Wire to Sensor Missing or Bad •Wire to Sensor Missing or Bad
●●○ 4 BLINKS, PAUSE (REPEAT) 4 BLINKS, PAUSE (REPEAT) 4 BLINKS, PAUSE (REPEAT)	○ ON ON ON	<b>C</b> •Sensor Receiving Interference •Sensor Receiving Interference •Sensor Receiving Interference
●●○ 4 BLINKS, PAUSE (REPEAT) 4 BLINKS, PAUSE (REPEAT) 4 BLINKS, PAUSE (REPEAT)	○ ON ON ON	<b>C</b> •Source Not Sending Pulses •Source Not Sending Pulses •Source Not Sending Pulses

**NOTE:** If operational problem exists, the Door can be closed by –  
 • Disconnect the STB System from the Opener.  
 • Hold Wall Control Button down until Door is closed.  
 • Remote Control will not work if STB System does not work

**SELF-DIAGNOSTIC OPERATOR TROUBLESHOOTING**  
**SELF-DIAGNOSTIC OPERATOR TROUBLESHOOTING**  
**SELF-DIAGNOSTIC OPERATOR TROUBLESHOOTING**

OPERATION INDICATOR (GREEN) OPERATION INDICATOR (GREEN) OPERATION INDICATOR (GREEN)	Operating Condition Operating Condition Operating Condition	OPERATION INDICATOR (GREEN) OPERATION INDICATOR (GREEN) OPERATION INDICATOR (GREEN)	Operating Condition Operating Condition Operating Condition
●●○		●●○	
●●○		●●○	
●●○		●●○	
●●○		●●○	



## CAUTION

Use Wall Control supplied with operator any other Wall Control can cause the Door to operate unexpectedly and the light not to work.

### Opener does not run from Wall Control.

- Check Lock Switch on Wall Console
- Check Power Source.
  - Plug a lamp into outlet used for Power Head. If lamp works, power source is OK. If not, check fuse or circuit breaker.
- If power is OK:
  - Check connections at Power Head Terminals.
  - Check connections at Wall Control.
- Check staples on Wire from Power Head to Wall Control. Staples can cut insulation and short Wires. If Wire is cut, replace it.

### Door Opener starts for no reason.

- Was a Remote Control lost or stolen? Erase all Remote Control Codes from Receiver memory and reprogram (See Section **14**).
- Button Stuck

### Door starts down, then stops before it's closed.

- Check CLOSE Limit Switch setting (See Section **12**).

### Door starts down, then stops and goes back up.

- Check Force Adjustment (See Section **11**).
- Check CONTACT REVERSE (See Section **13**).
- Check STB System for beam obstruction or misalignment of Lenses (See Section **6**).

### Door will only run closed.

- Check OPEN Limit Switch for free movement and proper wiring.
- Check "OPEN FORCE" Adjustment (See Section **11**).
- Check Door condition and for broken Door spring.

### Door will only run open.

- Check STB System (See Self-Diagnostic STB Troubleshooting Chart).
- Check CLOSE Limit Switch for free movement and proper wiring.
- Check "CLOSE FORCE" Adjustment (See Section **11**).

### Lights will not go out

- Disconnect and Reconnect Wires (See Section **7**)

**Door starts up and stops before it completely opens.**

- Be sure Overhead Door and Opener is in good repair, properly lubricated and balanced (See Maintenance Section).
- Check "OPEN" Limit Switch setting (See Section **12**).
- Check "OPEN FORCE" Adjustment (See Section **11**).
- Check OverheadDoor condition and for broken Door spring.

**Opener runs, but Overhead door does not move.**

- Make sure Carriage is engaged to Carriage Slide
  - place Carriage Lever [11L] in lock position.
- Check Force Adjustment (See Section **11**)  
Door Opener will **NOT** run more than 30 seconds each way if OverheadDoor does not move.

**Remote Control has less than 25 feet operating range.**

- Relocate Remote Control inside car.
  - Point Remote Control at Overheaddoor.
  - Replace battery (See Section **5**).
  - Reposition Door Opener Antenna.
- DO NOT** attempt to retune Remote Controls.

**Opener works from Wall Control, but not from Remote Control.**

- Program Remote Control Code into Receiver memory. (See Section **14**).
- Replace Remote Control Battery with good one.

**Noisy operation.**

- Be sure all fasteners are tight.
- Be sure Overhead Door and opener is in good repair, properly lubricated and balanced (See Monthly Maintenance Section.)

**Safe-T-Beam® System.**

- If an operational problem exists, the OverheadDoor will not run closed. The OverheadDoor can be forced to close this way –
- Disconnect the STB System from the Opener.
  - Hold the Wall Control Button down until the Overheaddoor is completely closed.
- Use Self-Diagnostic IR System Troubleshooting information to maintain safe operation.

**Motor turns Screw does not.**

- Check condition and placement of Coupler (See Section **2**)

WIRING DI

AM

DIAGRAMA DE CABEADO

SCHEMA DE CONNEXION

## The Genie Company Professional Access Systems LIMITED WARRANTY

**What is Covered:** Any defect in material and workmanship from personal, normal household use in accordance with Owner's Manual.

**For How Long:**

- ISD 990 Series - Lifetime motor, 5 years parts\*
- ISD 1000 Series - Lifetime motor, and parts\*
- CMD 9900 Series - Lifetime motor, 5 years parts\*
- PRO 99 Series - Lifetime motor, and parts\*
- Lifetime Warranty -For as long as you own your home.

**Who Gets the Warranty:** The warranty is limited to the consumer who originally purchased the product.

**Geographic Scope:** This warranty applies only to Genie products purchased in the United States, Canada or Mexico.

What we will do: If your Genie product is defective, we will repair it or, at our option, replace it at no charge to you. If we repair your Genie product, we may use new or reconditioned replacement parts. If we choose to replace your Genie product, we may replace it with a new or reconditioned one of the same or similar design.

**Limitations: IMPLIED WARRANTIES, INCLUDING THOSE OF FITNESS FOR A PARTICULAR PURPOSE AND MERCHANTABILITY (AN UNWRITTEN WARRANTY THAT THE PRODUCT IS FIT FOR ORDINARY USE) ARE LIMITED TO ONE YEAR FROM DATE OF PURCHASE. GENIE WILL NOT PAY FOR LOSS OF USE OF YOUR GENIE PRODUCT OR PROPERTY DAMAGE CAUSED BY YOUR GENIE PRODUCT OR ITS FAILURE TO WORK; ANY SPECIAL, INCIDENTAL OR CONSEQUENTIAL DAMAGES; ANY DAMAGES RESULTING FROM MISUSE OR MODIFICATION OF YOUR GENIE PRODUCT.**

Some states and provinces do not allow limitations on how long an implied warranty lasts or the exclusion of incidental or consequential damages, so the above exclusions may not apply.

**How to get Warranty Service:** To get warranty service for your Genie product, you must provide proof of date, and place of purchase of the product.

1. **Do-It-Yourself-Service:** Call Genie Consumer Connection toll free at 1-800-654-3643. Trained Genie representatives will assist in diagnosing the problem and will arrange to supply you with required parts for do-it-yourself repairs. Trained service representatives are available Monday-Friday, 8:00 AM - 8:00 PM, and on Saturday, 11:00 AM -5: 00 PM Eastern Time (subject to holidays.)
2. **Service From Authorized Dealers:** You can obtain the name of a Genie authorized dealer by calling the Genie Consumer Connection at 1-800-654-3643. If an authorized dealer provides warranty service, Genie will not reimburse you or otherwise be responsible for those charges.
3. **Return to Genie:** You also may obtain warranty service by returning the product, postage prepaid to:

The Genie Company  
Professional Access Systems  
Service Department  
22790 Lake park Boulevard  
Alliance, Ohio 44601

We suggest that you retain your original packing material in the event you need to ship your Genie product. Be sure to include you name, address, telephone number, proof of date and place of purchase and a description of the operating problem. After repairing or at our option, replacing your Genie product, we will ship it to your home at no cost to you for parts and labor, but you will have to pay a minimum of \$5.00 for shipping and handling charges.

Your choice of any one of the above described service options is your remedy under this warranty.

**What This Warranty Does Not Cover:** This warranty does not cover batteries (which are considered replaceable parts,) installation, commercial use, defects resulting from accidents, damage while in transit to our service location or damage resulting from alterations, misuse or abuse, lack of proper maintenance, unauthorized repair or modifications of the product, affixing of any attachment not provided with the product, fire, flood, or acts of God, or failure to follow the Owner's Manual.

**This warranty is the only one we will give on your Genie product, and it sets forth all our responsibilities regarding your Genie product. There are no other express warranties.**

**State and Province Rights:** This warranty gives you specific legal rights, and you may also have other rights that vary from state to state and province to province.