

MAXX TRAXX



MAXX TRAXX - OWNER'S MANUAL

Super fast 45 second speed charge. Range from 5 to 10 feet.

Please read carefully before starting to operate.

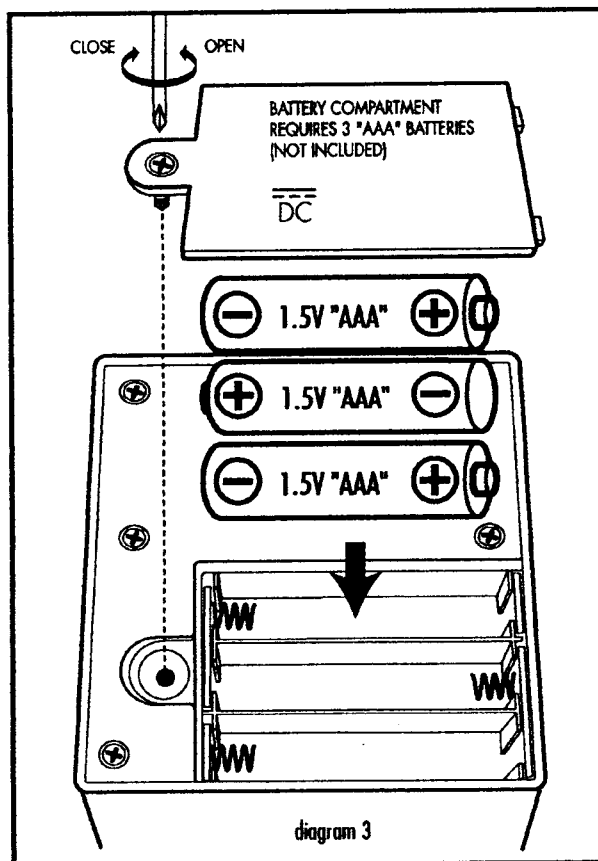
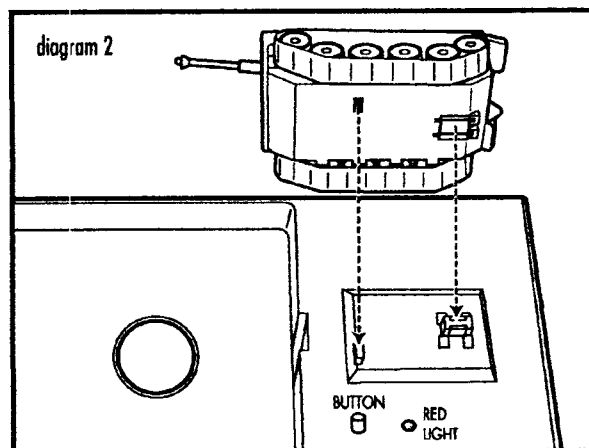
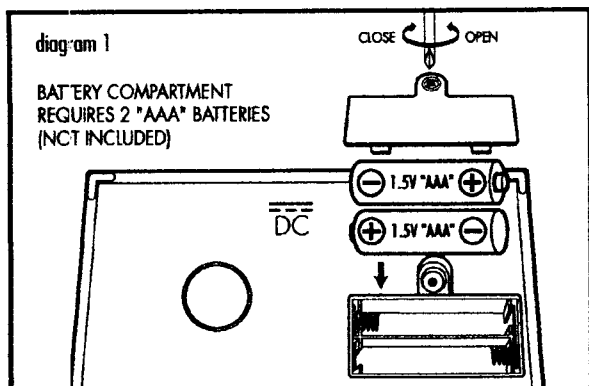
SAFETY AND PLAYING TIPS:

Adults: This toy is recommended for children 5 years of age and older. To ensure that the child's play is both safe and fun, please review the operating instructions and these general safety rules with the child. If there are children under the age of five in the play area, adult supervision is recommended.

- DO NOT pick up vehicle while in motion.
- DO NOT play outdoors during thunderstorms.
- DO NOT drive your vehicle in sand or through water or snow.
- Wipe clean with a dry towel after playing. Do not use chemicals as they can deform or damage the body.
- The radio circuitry in your vehicle and transmitter is sensitive. Do not store the vehicle or transmitter near heat or in direct sunlight.

HOW TO PLAY:

- 1) Unscrew vehicle from the display terrain.
- 2) Remove the battery cover of the charger. Insert batteries. Replace battery cover. (see diagram 1)
- 3) Your Vehicle has rechargeable batteries inside that you should not remove. Place vehicle on jack (see diagram 2) and press button to start charging. The red light will come on. When your vehicle is fully charged the red light will turn off. Remove vehicle from the charger.
- 4) Remove the battery cover of the transmitter. Insert batteries. Replace battery cover. (see diagram 3)
- 5) Remove antennae from the display terrain and attach to transmitter. (see diagram 4)
- 6) Press transmitter controls to run and control your vehicle. (see diagram 5)



HINTS AND TIPS on how to operate the vehicle properly:

- Operating multiple vehicles with the same frequency in close proximity will cause interference and poor performance.
- Works best away from high voltage power lines, large buildings and walls.
- Hold transmitter antenna up for best performance.
- When the vehicle does not respond, slows down, or loses range, replace batteries in transmitter or recharge the batteries in vehicle.
- Your vehicle's running time may change depending on your driving style.

BATTERY SAFETY:

- Place all the batteries in the battery box as illustrated making certain that negative (-) and positive (+) poles are positioned properly.
- Do not use rechargeable batteries in the transmitter.
- Non rechargeable batteries are not to be recharged.
- Different type of batteries or new or used batteries are not to be mixed.
- Only batteries of the same or equivalent type as recommended are to be used.
- Remove batteries if the toy will not be used for a long period of time.
- Exhausted batteries are to be removed from the toy.
- Do not dispose of batteries in fire.
- Dispose of batteries safely.
- For best performance only use alkaline batteries. Battery life may vary depending on battery brand. Toy performance may decrease as batteries weaken.

WARNING: Changes or modifications to this unit not expressly approved by the party responsible for compliance could void the user's authority to operate the equipment.

NOTE: This equipment has been tested and found to comply with the limits for a Class B digital device, pursuant to Part 15 of the FCC Rules. These limits are designed to provide reasonable protection against harmful interference in residential installation. This equipment generates, uses and can radiate radio frequency energy and, if not installed and used in accordance with the instructions, may cause harmful interference to radio communications.

However, there is no guarantee that interference will not occur in a particular installation. If this equipment does cause harmful interference to radio or television reception, which can be determined by turning the equipment off and on, the user is encouraged to try to correct the interference by one or more of the following measures:

- Reorient or relocate the receiving antenna.
- Increase the separation between the equipment and receiver.
- Connect the equipment into an outlet on a circuit different from that to which the receiver is needed.
- Consult the dealer or an experienced radio/TV technician for help.

This device complies with Part 15 of the FCC Rules.
Operation is subject to the following two conditions:

- (1) this device may not cause interference, and
- (2) this device must accept any interference, including interference that may cause undesired operation of the device

Please remove packaging attachments before giving the toy to the child.
Product specification & color subject to change.
Keep the display box and the manual for future reference.

©2003 The Original San Francisco Toymakers®, Inc.
Maxx Traxx is a trademark of OSFT, All Rights Reserved.
The Original San Francisco Toymakers®, Inc.
360 Oyster Point Blvd. #110
So. San Francisco, CA 94080
650-952-7701; 866-473-8697



The Original San Francisco Toymakers®, Inc.
360 Oyster Point Blvd., South San Francisco, CA 94080
Tel: (650) 952-7701 Fax: (650) 952-7705

Asst # 175200
Made in China

WARNING :
CHOKING HAZARD - Small parts
Not for children under 3 years.

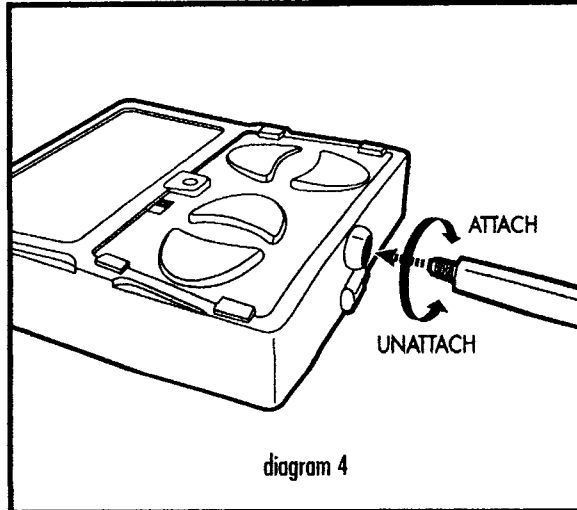


diagram 4

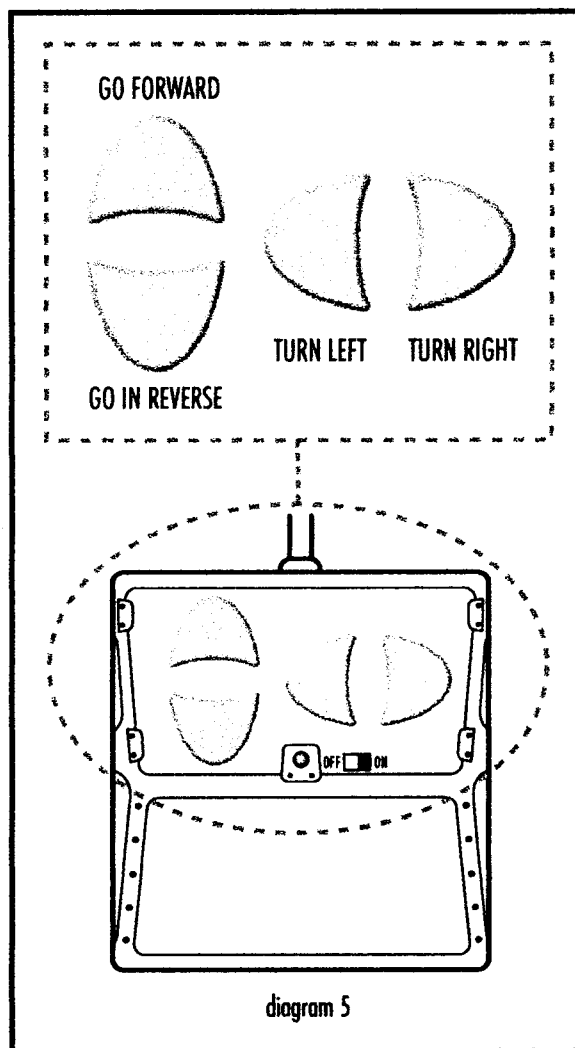
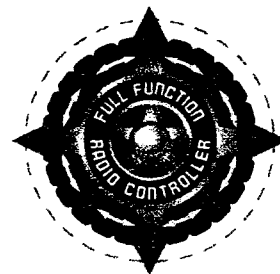


diagram 5



45 SECOND
SPEED CHARGER INCLUDED