

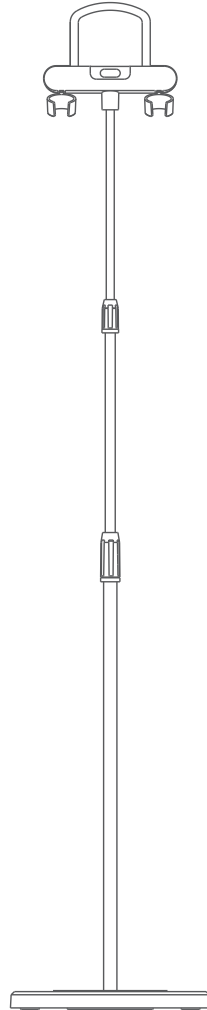
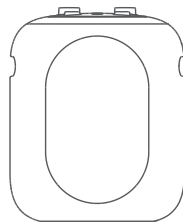


singing machine®

creating Joy through music™

ISM2040

INSTRUCTION MANUAL/
MANUAL DE INSTRUCCIONES/
MODE D'EMPLOI





www.singingmachine.com

The Singing Machine® is a registered trademark of The Singing Machine Co., Inc.

The Singing Machine® es marca registrada de The Singing Machine Co., Inc.

The Singing Machine® est une marque déposée de The Singing Machine Co., Inc.

Warnings

	CAUTION RISK OF ELECTRIC SHOCK DO NOT OPEN	
CAUTION: TO REDUCE THE RISK OF ELECTRIC SHOCK, DO NOT REMOVE COVER (OR BACK). NO USER-SERVICEABLE PARTS INSIDE. REFER SERVICING TO QUALIFIED SERVICE PERSONNEL.		

FCC WARNING: This equipment may generate or use radio frequency energy. Changes or modifications to this equipment may cause harmful interference unless the modifications are expressly approved in the instruction manual. The user could lose the authority to operate this equipment if an unauthorized change or modification is made.

This device complies with part 15 of the FCC Rules. Operation is subject to the following two conditions: (1) This device may not cause harmful interference, and (2) this device must accept any interference received, including interference that may cause undesired operation.

NOTE: This equipment has been tested and found to comply with the limits for a Class B digital device, pursuant to part 15 of the FCC Rules. These limits are designed to provide reasonable protection against harmful interference in a residential installation. This equipment generates, uses and can radiate radio frequency energy and, if not installed and used in accordance with the instructions, may cause harmful interference to radio communications. However, there is no guarantee that interference will not occur in a particular installation. If this equipment does cause harmful interference to radio or television reception, which can be determined by turning the equipment off and on, the user is encouraged to try to correct the interference by one or more of the following measures:

- Reorient or relocate the receiving antenna.
 - Increase the separation between the equipment and receiver.
 - Connect the equipment into an outlet on a circuit different from that to which the receiver is connected.
 - Consult the dealer or an experienced radio/TV technician for help.
- The rating information is located at the bottom of the unit.

Warning: Changes or modifications to this unit not expressly approved by the party responsible for compliance could void the user's authority to operate the equipment.



DANGEROUS VOLTAGE: The lightning flash with arrowhead symbol within an equilateral triangle is intended to alert the user to the presence of uninsulated dangerous voltage within the product's enclosure that may be of sufficient magnitude to constitute a risk of electric shock to persons.



ATTENTION: The exclamation point within an equilateral triangle is intended to alert the user to the presence of important operating and maintenance (servicing) instructions in the literature accompanying this product.

DRIPPING WARNING: This product shall not be exposed to dripping or splashing, and no objects filled with liquids, such as vases, shall be placed on the product.

VENTILATION WARNING: The normal ventilation of the product shall not be impeded for intended use.

CAUTION: TO PREVENT ELECTRIC SHOCK, MATCH WIDE BLADE OF PLUG TO WIDE SLOT AND FULLY INSERT.

WARNING: TO PREVENT FIRE OR SHOCK HAZARD, DO NOT EXPOSE THIS UNIT TO RAIN OR MOISTURE.

Important Safety Information

1. Read these Instructions.
2. Keep these Instructions.
3. Heed all Warnings.
4. Follow all Instructions.
5. Do not use this apparatus near water.
6. Clean only with a dry cloth.
7. Do not block any of the ventilation openings. Install in accordance with the Manufacturer's instructions.
8. Do not install near any heat sources such as radiators, heat registers, stoves, or other apparatus (including amplifiers) that produce heat.
9. Do not defeat the safety purpose of the polarized or grounding-type plug. A polarized plug has two blades with one wider than the other. A grounding type plug has two blades and a third grounding prong. The wide blade or the third prong are provided for your safety. When the provided plug does not fit into your outlet, consult an electrician for replacement of the obsolete outlet.
10. Protect the power cord from being walked on or pinched particularly at plugs, convenience receptacles, and the point where they exit from the apparatus.
11. Only use attachments/accessories specified by the manufacturer.

12. Use only with a cart, stand, tripod, bracket, or table specified by the manufacturer, or sold with the apparatus. When a cart is used, use caution when moving the cart/apparatus combination to avoid injury from tip-over.
13. Unplug this apparatus during lightning storms or when unused for long periods of time.

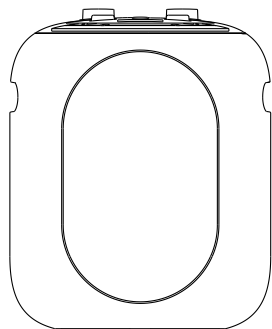
PORTABLE CART WARNING
(symbol provided by RETAC)



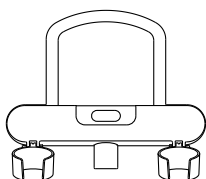
14. Refer all servicing to qualified service personnel. Servicing is required when the apparatus has been damaged in any way, such as power-supply cord or plug is damaged, liquid has been spilled or objects have fallen into the apparatus, the apparatus has been exposed to rain or moisture, does not operate normally, or has been dropped.
15. **WARNING:** To reduce the risk of fire or electric shock, do not expose this apparatus to rain or moisture. Do not place objects filled with water, such as a vase, on the apparatus.
16. The AC mains plug is used as the power disconnect device and it should remain readily accessible and operable during intended use. In order to completely disconnect the apparatus from power, the mains plug should be completely removed from the AC outlet socket.
17. **CAUTION:** To reduce the risk of fire or explosion, do not expose batteries to excessive heat such as sunshine, fire or other heat sources.

Included

Please make sure that the following items are included.



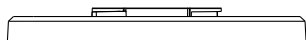
Main Unit



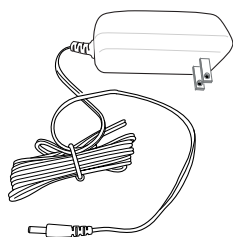
Cradle with mic holders
(Detachable)



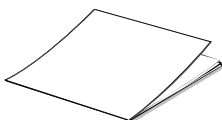
Extendable Mic stand



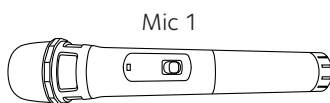
Base



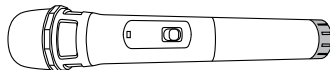
AC Adapter



Manual



Mic 1



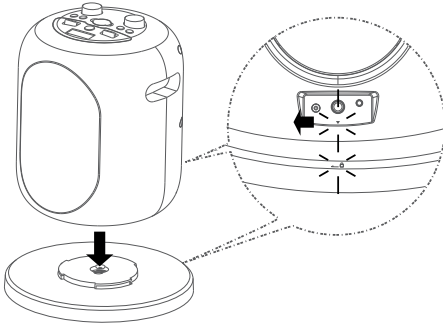
Mic 2

Wireless Microphone

Assembly

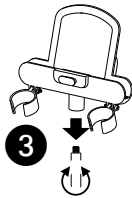
Not for use with other microphone stands. Only lift unit from bottom base. Use caution when placing larger-sized devices in holder.

All-in-one assembly



1 Insert and rotate clockwise to tighten the Main unit onto the Base.

2 Lift the rubber cover on the top of the Main unit. Insert the Mic stand into the Main unit and tighten it.



3 Insert and rotate to tighten the Cradle with Mic holders on the Mic stand.

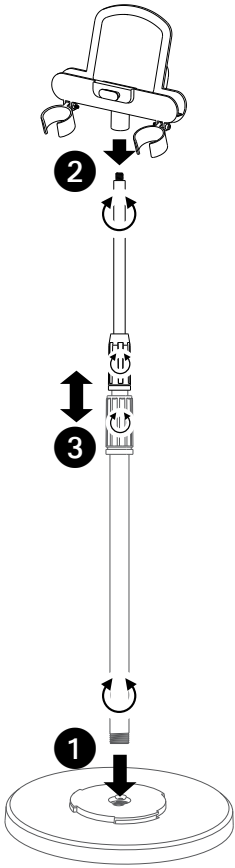


4 Untighten the mic stand locker(s) to adjust to a suitable height. Retighten the locks to hold in position.



Assembly

Split type assembly



1 Insert the Mic stand into the Base and tighten it.

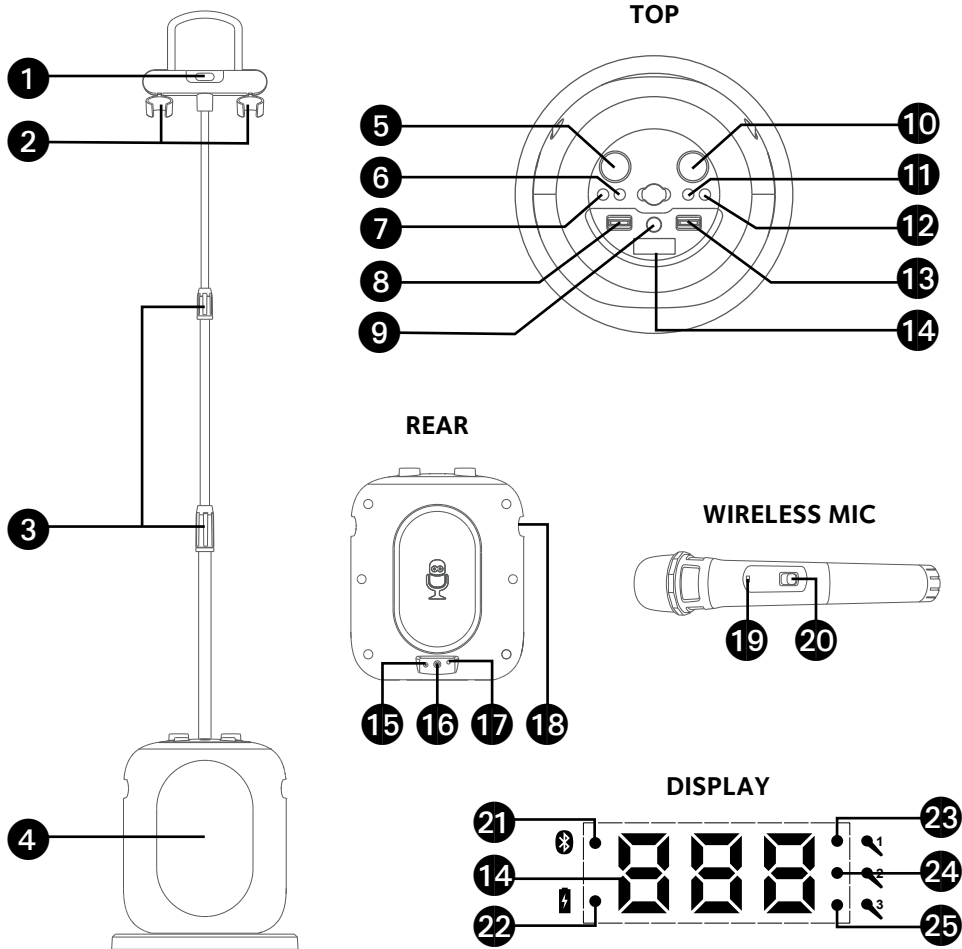
2 Insert and rotate to tighten the Cradle with Mic holders on the Mic stand.

3 Untighten the mic stand locker(s) to adjust to a suitable height. Retighten the locks to hold in position.

4 Leave the main unit within 30 feet/10 meters distance as a speaker.

Note: Always remember to put the rubber cover back in place.

Location of Controls

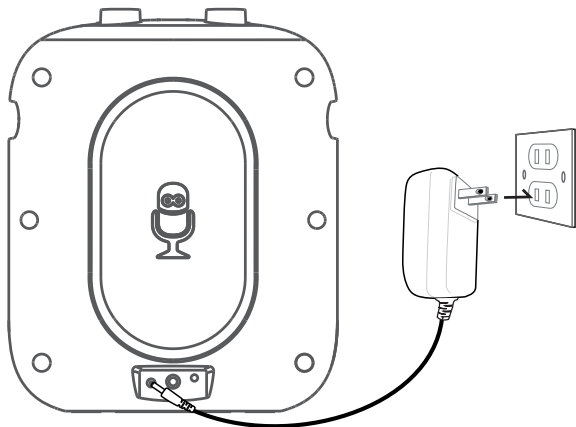


- | | | |
|---------------------------------------|------------------------------|------------------------------------|
| 1. Cradle | 9. PERFECT PITCH Button | 18. Handle |
| 2. Mic Holders | 10. MUSIC VOLUME Control | 19. Wireless Mic battery indicator |
| 3. MIC stand locks | 11. RECORD Button | 20. Wireless Mic ON/OFF button |
| 4. Speaker | 12. PLAYBACK Button | 21. Bluetooth indicator |
| 5. Mic Volume/VOCAL OFF Control | 13. EFFECTS STRENGTH Control | 22. Battery indicator |
| 6. / (Bluetooth/ Play/ Pause Button | 14. Display | 23. Mic 1 indicator (wireless) |
| 7. (LIGHTS/On/ Standby) button | 15. DC In Jack | 24. Mic 2 indicator (wireless) |
| 8. VOCAL EFFECTS Control | 16. Mic 3 Jack | 25. Mic 3 indicator (wired) |
| | 17. AUX In Jack | |

Rechargeable Battery

This unit comes with a built-in rechargeable battery pack that will allow the unit to be used without being connected to AC power. The rechargeable battery pack must NOT be replaced by the user.

To optimize the battery life, we recommend to charge the unit once a month. When the battery indicator on the display flashes slowly, recharge the unit by following the steps below:



- 1 Insert the AC power cord into a conveniently located AC outlet having 120V, 60Hz.
- 2 Allow the unit to charge for approximately 8 hours for a full charge. When fully charged, the battery indicator will light solid.
- 3 Disconnect the AC cord and the fully charged unit can be used for approximately 4-10 hours depending on the function chosen.

Attention: The sound volume will adjust automatically when the battery is not full.

Recycling and Disposal Information:

- Do not dispose of electronic devices or any of their components. (especially batteries and LCD displays) in your municipal trash collection.
- Consult your local waste management authority or a recycling organization like Earth911.com to find an electronics recycling facility in your area.




CAUTION: Rechargeable batteries must be recycled or disposed of properly.

Energy Saving (Auto Power System-APS)

The unit will automatically enter the Standby mode after 30 minutes in the following situations:

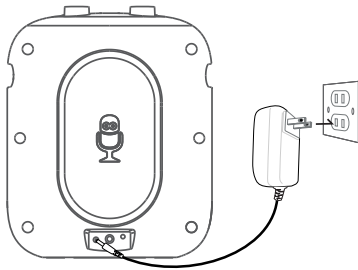
1. There is no audio playback;
2. The playback of external music player had been stopped but the audio cable is still plugged into the LINE IN jack.

The unit can be resumed to turn on by pressing the  button.

APS is for energy saving purposes.

Connections

Charging the unit

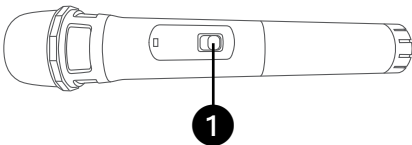


Insert the AC power cord into a conveniently located AC outlet having 120V AC, 60Hz.

Notes:

- Make all connections prior to plugging the AC adaptor into a power outlet.
- The AC adaptor has a polarized plug that fits into the AC outlet only one way. If the plug does not fit properly, turn it over and try again. Do not force and do not file or cut the wide blade.
- The provided AC adapter can only support to charge the built-in rechargeable battery.

Connecting the Wireless Microphone(s)



Rotate the **MIC VOLUME/VOCAL OFF** control, the Mic indicator 1 and 2 will appear in display and flash.

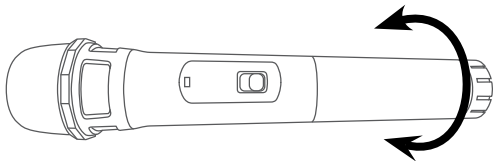
Slide the Wireless Mic's **ON/MUTE/OFF** ① switch to the ON position. The Mic indicator 1 or 2 will light solid.

Notes:

- The working distance up to 30 feet/10 meters measured in open space.
- If there is no audio input for 15 minutes, the wireless mics connection will automatically turn off. Rotate the **MIC VOLUME/VOCAL OFF** control to reactivate the connection.

Connections

Changing the Wireless Microphone's Battery



When the wireless mic battery indicator flashes, it shows it is out of power. Change the batteries as follows:

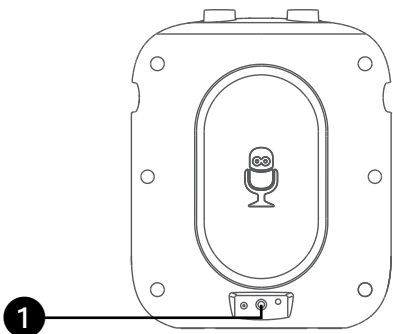
- 1 Unscrew the bottom of wireless microphone.
- 2 Replace the batteries with 2 x "AA" size/LR6 battery.
- 3 Replace the bottom of wireless microphone and screw it on.

Battery Precautions

The precautions below should be followed when using batteries in this device:

1. Use only the size and type of batteries specified.
2. Be sure to follow the correct polarity when installing the batteries as indicated in the battery compartment. Reversed batteries may cause damage to the device.
3. Do not mix different types of batteries together (e.g. Alkaline and Carbon Zinc) or old batteries with fresh ones.
4. If the device is not to be used for a long period of time, remove the batteries to prevent damage or injury from possible battery leakage.
5. Do not try to recharge batteries not intended to be recharged, they can overheat and rupture. (Follow battery manufacturer's directions.)
6. Rechargeable batteries are to be removed from the product before being charged.
7. Rechargeable batteries are only to be charged under adult supervision.
8. Exhausted batteries are to be removed from the product.
9. Batteries shall not be exposed to excessive heat such as sunshine, fire or the like.

Connecting the optional wired Microphone

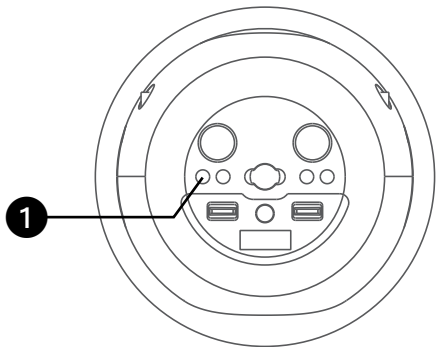



Connect the wired microphone (not included) into Mic jack **1** (when desired).

Note: Maximum of two microphones (wired or wireless) connected to the unit at one time. After inserting the wired microphone (Mic 3), the wireless microphone 1 (Mic 1) will be automatically turned off.

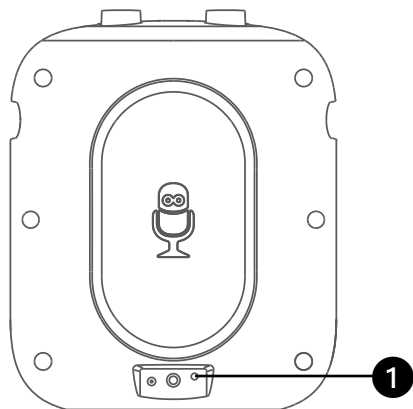
Connections

Lights Mode



There are 5 built-in light mode. Repeatedly press  button to switch between lighting effects.

Connecting to AUX IN Jack

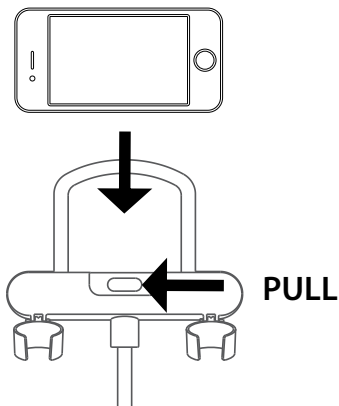


Connect an external device by using an appropriate cable (3.5mm audio cable not included) as shown.

Note:

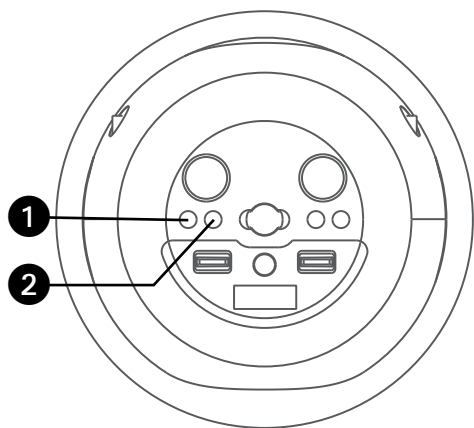
See page [E14](#) to select and use the Aux In function.


Cradle

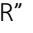



Operation

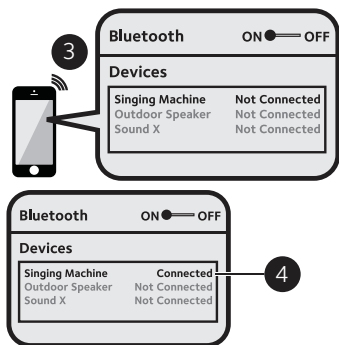
Using a Bluetooth Device



1 Connect the unit as described previously. Press the  button to turn the unit on.

2 “bt” and bluetooth indicator will appear in display and flash. The unit automatically searches and pairs a previously paired Bluetooth device (if previously paired). If no previously paired devices are present and you cannot find this unit on your bluetooth compatible device’s search list. Press and hold the  button; the “PR” and bluetooth indicator will start flashing for 60 seconds.

Note: You can also press and hold the  button to disconnect any paired devices in order to pair another device.



3 Turn on your device’s Bluetooth option in settings to search for a discoverable device with a Bluetooth signal. Select “**SINGING MACHINE**” from the device results on the Bluetooth menu.

Note: Also refer to the user manual of your Bluetooth device for detailed instructions.

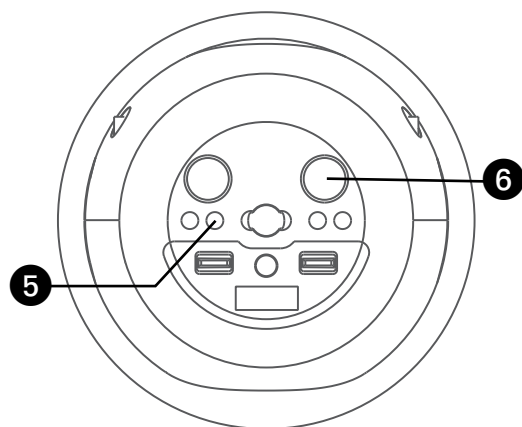
4 “bt” and bluetooth indicator will light solid and a successful pairing sound will be heard.

Notes:

- If your Bluetooth prompts you for a passcode during the pairing process, please enter “0000” to connect.
- On some Bluetooth devices, once pairing is completed, select your Bluetooth device as “Use as Audio Device” or similar.
- If connection is lost after successful pairing, check to make sure the distance between speaker and Bluetooth-enabled device does not exceed 30 feet/10 meters.
- “Bluetooth” will blink on TV screen, and will stop blinking after successful connection.

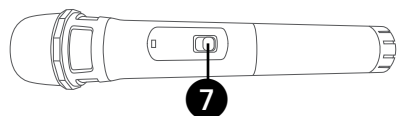
Operation

Using a Bluetooth Device (Continued)

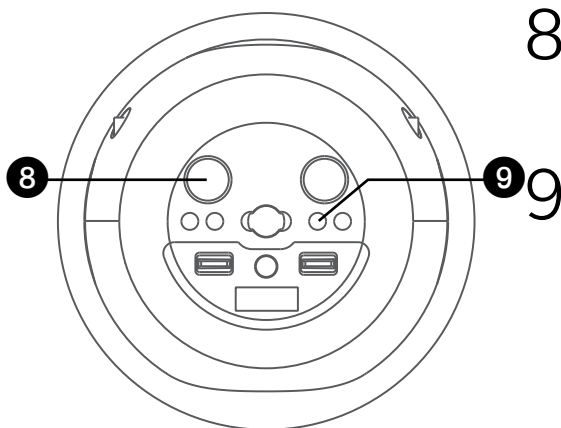


5 To control your Bluetooth device from this unit, press the **Bluetooth/Play/Pause** button to start playback. Press the **Bluetooth/Play/Pause** button during playback to pause the song.

6 Adjust the volume to a comfortable level using the **MUSIC VOLUME** control on this unit as well as the volume on your Bluetooth device.



7 Slide the Wireless Mic's **ON/MUTE/OFF** switch to the ON position.
NOTE: Slide to **MUTE** position is to temporarily stop the microphone input.



8 Adjust the **MIC VOLUME/VOCAL OFF** control as desired. Increasing this control will increase the volume of microphones.

RECORD YOUR SINGING PERFORMANCE

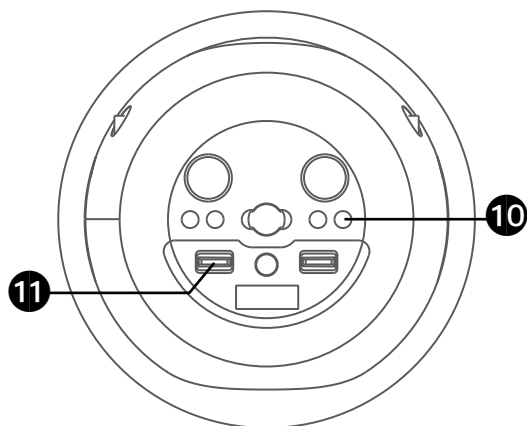
During music playback, press the **RECORD** button to record your singing and the music, "REC" will appear in display and light solid. Press the **RECORD** button again to stop recording, the "REC" will turn off.

This unit is able to record for 5 minutes. It will also stop recording automatically after 5 minutes and the "REC" will turn off.

Note: Please note that each time when the new recording is being recorded, the existing recording will be deleted.

Operation

Using a Bluetooth Device (Continued)



10 **PLAYBACK YOUR SINGING PERFORMANCE**

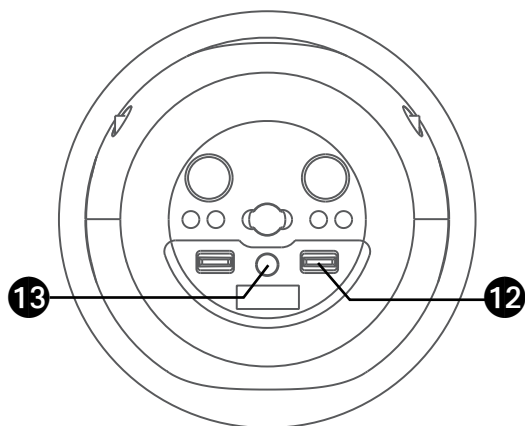
To playback your singing performance, you can press the **PLAYBACK** button. "PB" will appear on the display and light solid. Press again to stop. Press and hold the **PLAYBACK** button to delete the recorded track.

11 Slide the **VOCAL EFFECTS** button up or down to select the vocal effects.

Name	Display	Effect Description
None	---	No voice effects applied
Basic Pitch	1	Slightly enhanced reverb and echo, like singing in a small room
Billie Eyelash	2	Choir effect, 3 other singers in harmony, semitone intervals of unison +18, +5
Phil the Air Tonight	3	Lots of reverb, echo, "flanger" effect adds varying feedback mod
Grunge	4	A little reverb and chorus, audio filter effect
Reggae-Tone	5	
Hip-Hop	6	
Oldtown Rd	7	
Diva	8	Makes your voice pitch higher (one octave)
Doo-Wop	9	Adds the effect of a bass singer in harmony (an octave lower)
Electronica	10	Adds a fixed-pitch harmony (vocoder effect)
Up to Mars	11	Lots of echo and chorus effect
Anthems	12	Lots of echo and reverb, like singing in a concert hall
Nosebleed Seats	13	Lots of reverb and echo, like singing in a stadium
Voice of an Angel	14	High pitched harmony singers, not much echo/reverb (like singing in a small room)
4 of a Kind	15	Harmony effect, semitone intervals of -5, 3,5
Ballad Rock	16	Lots of reverb, echo, chorus
Bad Trip	17	Enhanced chorus effect
Laser	18	Adds a bass singer (one octave down) plus chorus effect
Warp Speed	19	Short term bouncing echo effect
Barry Deep	20	Adds 3 voices all one octave down plus some echo and chorus

Operation

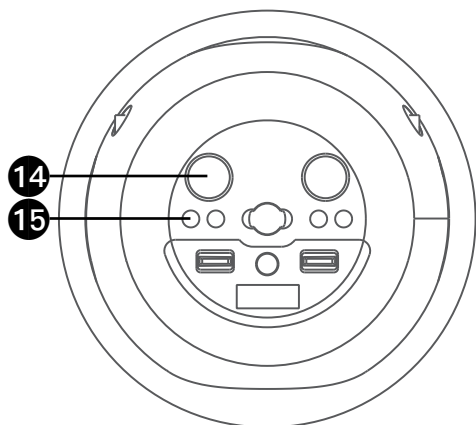
Using a Bluetooth Device (Continued)



12 Slide the **EFFECTS STRENGTH** control up or down to adjust the level of the selected vocal effects.

13 Repeatedly press the **PERFECT PITCH** button to switch the difference level of automatically adjust voice pitch. Display will show the level.

Note: This function is only available for either **Wireless Mic 1** or **Mic 3**.



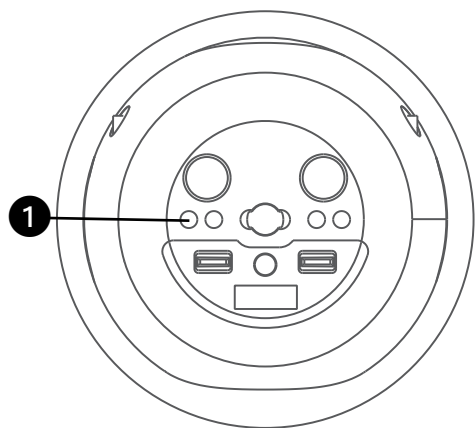
14 To sing without the lead singer on the recording, press the **MIC VOLUME/VOCAL OFF** control. To resume the lead singer, press again.


Note: Lead vocal removal **might** work better on some songs than others.

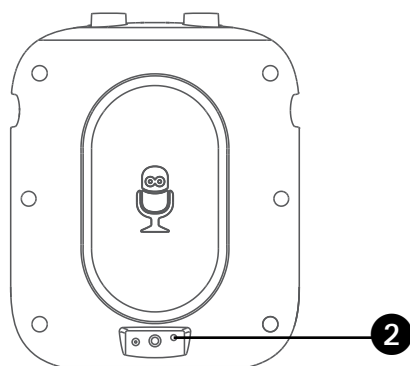
15 Press and hold the **⊗/⏻** button to turn off the unit.

Operation

Using the AUX IN Jack



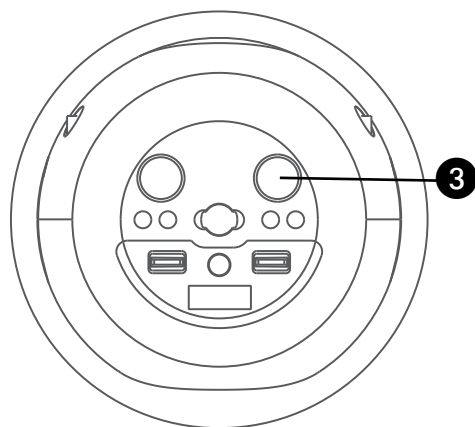
1 Connect the unit as described previously. Press the  button to turn the unit on.



2 Connect the external device by using an appropriate cable (3.5mm audio cable not included) to the **AUX IN Jack** on the rear of this unit as previous described. When connected, the Aux function is automatically selected, "AUX" will appear in display and light solid.

Notes:

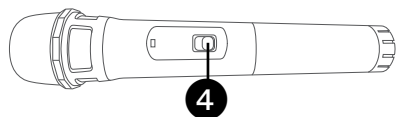
- It is highly recommended to set the volume on the auxiliary unit to 1/3 or lower to avoid distortion.
- **All controlling functions are** not possible on this unit when using an external device.



3 Adjust the volume to a comfortable level using the **MUSIC VOLUME** control on this unit or your external device's volume control.

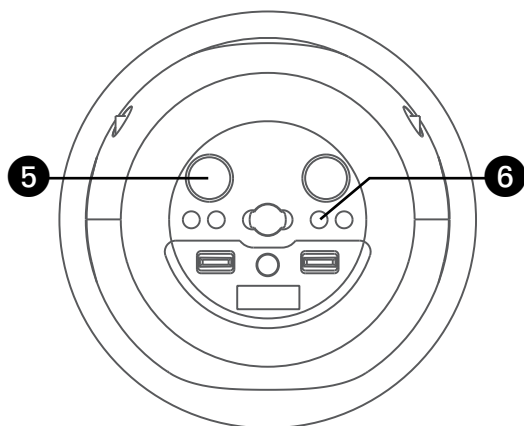
Operation

Using the AUX IN Jack (Continued)



- 4 Slide the Wireless Mic's **ON/ MUTE/OFF** switch to the ON position.

NOTE: Slide to **MUTE** position is to temporary stop the microphone input.



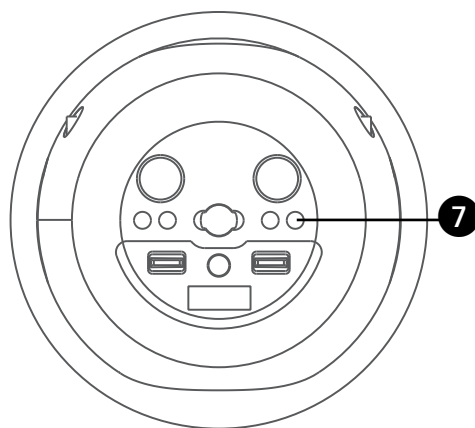
- 5 Adjust the **MIC VOLUME/ VOCAL OFF** control as desired. Increasing this control will increase the volume of both microphones.

6 RECORD YOUR SINGING PERFORMANCE

During music playback, press the **RECORD** button to record your singing and the music, "REC" will appear in display and light solid. Press the **RECORD** button again to stop recording, the "REC" will turn off.

This unit is able to record for **5 minutes**. It will also stop recording automatically after 5 minutes and the "REC" will turn off.

Note: Please note that each time when the new recording is being recorded, the existing recording will be deleted.



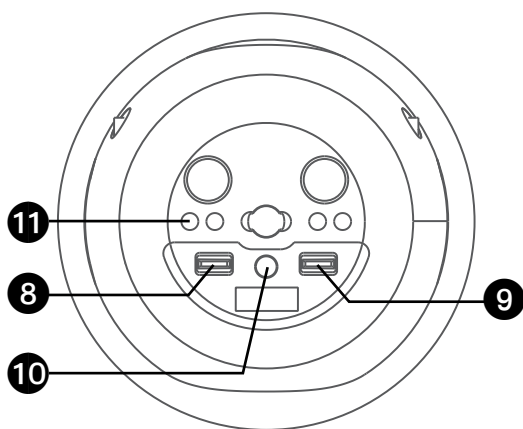
7 PLAYBACK YOUR SINGING PERFORMANCE

To playback your singing performance, you can press the **PLAYBACK** button. "PB" will appear in display and light solid. Press again to stop. Press and hold the **PLAYBACK** button to delete the record track.

Operation

Using the AUX IN Jack (Continued)

Name	Display	Effect Description
None	---	No voice effects applied
Basic Pitch	1	Slightly enhanced reverb and echo, like singing in a small room
Billie Eyelash	2	Choir effect, 3 other singers in harmony, semitone intervals of unison +18, +5
Phil the Air Tonight	3	Lots of reverb, echo, "flanger" effect adds varying feedback mod
Grunge	4	A little reverb and chorus, audio filter effect
Reggae-Tone	5	
Hip-Hop	6	
Oldtown Rd	7	
Diva	8	Makes your voice pitch higher (one octave)
Doo-Wop	9	Adds the effect of a bass singer in harmony (an octave lower)
Electronica	10	Adds a fixed-pitch harmony (vocoder effect)
Up to Mars	11	Lots of echo and chorus effect
Anthems	12	Lots of echo and reverb, like singing in a concert hall
Nosebleed Seats	13	Lots of reverb and echo, like singing in a stadium
Voice of an Angel	14	High pitched harmony singers, not much echo/reverb (like singing in a small room)
4 of a Kind	15	Harmony effect, semitone intervals of -5, 3,5
Ballad Rock	16	Lots of reverb, echo, chorus
Bad Trip	17	Enhanced chorus effect
Laser	18	Adds a bass singer (one octave down) plus chorus effect
Warp Speed	19	Short term bouncing echo effect
Barry Deep	20	Adds 3 voices all one octave down plus some echo and chorus



8 Slide the **VOCAL EFFECTS** control up or down to select the vocal effects.

9 Slide the **EFFECTS STRENGTH** control up or down to adjust the level of the selected vocal effects.

10 Repeatedly press the **PERFECT PITCH** button to switch the difference level of automatically adjust voice pitch. Display will show the level.


Note: This function is only available for either **Wireless Mic 1** or **Mic 3**.

11 Press and hold the **☀/⏻** button to turn off the unit.

Troubleshooting Guide

Should this unit exhibit a problem, check the following before seeking service:

No Power

- Power is not on; press the  (LIGHTS/ON/STANDBY) button to turn power on.
- **The unit has no battery left. Connect to AC power to recharge the battery.**
- The normal function of the product may be disturbed by strong Electro-Magnetic Interference. If so, simply restart the product to resume normal operation by following the instruction manual. In case the function could not resume, please use the product in another location.


No Sound – General

- Music Volume is set to minimum; raise volume.
- If using an external device, raise the volume.

No sound from the microphone

- **The wireless microphone has no battery left. Change the batteries.**
- Make sure the mic's **ON/OFF** switch is set to the ON position.
- Make sure the **MIC VOLUME/VOCAL OFF** control is not set too low.

The Bluetooth device cannot be paired or connected with the unit

- Ensure any other Bluetooth devices are turned off to avoid accidental pairing.
- You have not activated the Bluetooth function of your device; see page E10 or refer to the Bluetooth device user's manual.
- The system is not in pairing mode; press and hold the  button to restart pairing.

The Music is not available on the unit after successfully connecting the Bluetooth

- Ensure your Bluetooth device can support the A2DP Bluetooth profile.
- The volume on the external Bluetooth device is set too low or muted; raise as desired.

Specifications

AUDIO

Output Power70 Watts (RMS)

BLUETOOTH

Bluetooth Version V5.0

Working Distance..... Up to 30 feet/10 meters measured in open space

CONNECTING JACKS

Microphone 6.3mm

Aux In..... 3.5mm Stereo Jack

GENERAL

Power 100-240V, 50/60Hz

Output DC9V 1A Positive Center

Dimensions:

Main Unit only 10.3 x 10.3 x 12.6 inches (26.2 x 26.2 x 32cm)

Mic stand only Adjustable height max. 57.0 H inches/ 145cm (optional)

Main unit + Mic stand Adjustable height max. 66.9 H inches/ 170cm (optional)

Base 11.8 x 11.8 x 1.1 inches (30.0 x 30.0 x 2.7cm)

Weight - Main Unit only..... 9.7 Lbs (4.4 kgs)

Mic Stand only 9.9 Lbs (4.5 kgs)

Wireless Microphone VHF band (204.2MHz/250 MHz Freq) Dynamic Microphone

Specifications are subject to change without notice.



The Bluetooth® word mark and logos are registered trademarks owned by Bluetooth SIG, Inc. and any use of such marks and logos by The Singing Machine Company, Inc. is under license. Other trademarks and trade names are those of their respective owners.

Mises en Garde

	Mises en Garde RISQUE DE CHOC ÉLECTRIQUE NE PAS OUVRIR	
MISE EN GARDE: AFIN DE RÉDUIRE LE RISQUE D'ÉLECTROCUTION, NE PAS RETIRER LE COUVERCLE (OU LE DOS DU BOÎTIER). AUCUNE PIÈCE POUVANT ÊTRE RÉPARÉE PAR L'UTILISATEUR NE SE TROUVE À L'INTÉRIEUR. POUR TOUTE RÉPARATION, CONTACTER UN TECHNICIEN COMPÉTENT.		



TENSION DANGEREUSE: Le symbole de l'éclair dans un triangle équilatéral a pour but d'avertir l'utilisateur du danger présenté par des pièces non isolées à l'intérieur de l'appareil, dont la tension est suffisante pour provoquer des décharges électriques dangereuses.



ATTENTION: Le point d'exclamation à l'intérieur d'un triangle équilatéral a pour but d'avertir l'utilisateur de la présence de consignes importantes sur le fonctionnement et l'entretien (réparation) de l'appareil dans la documentation accompagnant ce produit.

AVERTISSEMENT D'ÉGOUTTEMENT: Ce produit ne doit pas être exposé à l'égouttement ni aux éclaboussures et aucun objet rempli de liquide, tel qu'un vase, ne doit être placé sur le produit.

AVERTISSEMENT D'AÉRATION: L'aération normale du produit ne doit pas être entravée pour l'usage prévu.

MISE EN GARDE : AFIN D'ÉVITER TOUT RISQUE D'ÉLECTROCUTION, JUMELER LA LARGE BROCHE DE LA FICHE À LA FENTE LA PLUS LARGE ET L'INSÉRER COMPLÈTEMENT.

AVERTISSEMENT: AFIN D'ÉVITER TOUT RISQUE D'ÉLECTROCUTION OU D'INCENDIE, NE PAS EXPOSER CET APPAREIL À LA PLUIE OU À L'HUMIDITÉ.

MISE EN GARDE DE LA FCC: Cet appareil peut générer ou utiliser des fréquences radio. Les modifications ou changements peuvent causer des interférences nuisibles, à moins que ces modifications ne soient approuvées expressément dans ce mode d'emploi. L'utilisateur pourrait perdre l'autorité de faire fonctionner cet équipement en cas de modification non autorisée.

Cet appareil répond aux exigences de l'alinéa 15 des réglementations FCC. Son utilisation est soumise aux deux conditions suivantes : 1) Cet appareil ne peut pas causer d'interférence nuisible et 2), Cet appareil doit accepter toute interférence reçue, incluant les interférences qui pourraient affecter son fonctionnement

REMARQUE: Suite aux tests effectués, il est établi que cet appareil numérique de Classe B répond aux exigences de l'alinéa 15 des réglementations FCC. Ces normes sont élaborées pour vous protéger contre toute interférence nuisible en installation résidentielle. Cet appareil génère, utilise et peut émettre des fréquences radio. Par conséquent, s'il n'est pas installé et utilisé en suivant les instructions, il peut causer des interférences nuisibles aux communications radio. Cependant, aucune garantie n'est donnée concernant la possibilité d'interférence avec une installation spécifique. Si une interférence se produisait en réception radio et/ou de télédiffusion, lors de l'activation et la désactivation de l'appareil, nous vous recommandons

- Réorientez ou déplacez l'antenne de réception.
- Éloignez l'appareil du récepteur.
- Branchez l'appareil à une prise de courant différente de celle utilisée par le récepteur.
- En cas de problème, contactez le vendeur ou un technicien spécialisé en réception radio/TV.

Le régime nominal est indiqué dans la partie inférieure de l'appareil.

Avertissement: Les modifications ou changements qui ne sont pas expressément approuvés par la partie responsable de la conformité peuvent entraîner l'annulation du droit donné à l'utilisateur de se servir de cet appareil.

Renseignements Importants de Sécurité

1. Lisez ces instructions.
2. Conservez ces instructions.
3. Respectez toutes les mises en garde.
4. Suivez toutes les consignes.
5. N'utilisez pas cet appareil à proximité de l'eau.
6. Nettoyez l'appareil uniquement avec un chiffon sec.
7. Ne bloquez pas les ouvertures d'aération. Installez conformément selon les consignes du fabricant.
8. N'installez pas à proximité de sources de chaleur telles que les radiateurs, registres d'air chaud, cuisinières, ou autres appareils (notamment des amplificateurs) produisant de la chaleur.
9. Ne nuisez pas à la fonction de sécurité de la fiche polarisée ou de mise à la terre. Une fiche polarisée est dotée de deux broches dont l'une est plus large que l'autre. Une fiche de mise à la terre est dotée de deux broches et d'une troisième broche de mise à la terre. La broche la plus large ou la troisième broche est conçue pour votre sécurité. Lorsque la broche fournie ne convient pas à la prise, consultez un électricien afin de remplacer la prise désuète.
10. Protégez le cordon d'alimentation afin que personne ne marche dessus ou le pince, particulièrement au niveau des broches, de la prise et du point où ils sortent de l'appareil.
11. Utilisez seulement les accessoires spécifiés par le fabricant.
12. Utilisez seulement avec un chariot, une sellette, un trépied, un support ou une table. Lorsqu'un chariot est utilisé, prenez garde

de ne pas déplacer la combinaison chariot/ appareil pour éviter toute blessure causée par un renversement.

13. Débranchez cet appareil durant un orage ou lorsqu'il n'est pas utilisé pendant de longues périodes.
14. Confiez toutes les réparations à un technicien compétent. La réparation s'avère nécessaire lorsque l'appareil a été endommagé, par exemple, si le cordon d'alimentation ou la fiche a été endommagé, du liquide a été renversé ou des objets sont tombés dans l'appareil, ou si l'appareil a été exposé à la pluie ou à l'humidité, ne fonctionne pas normalement, ou a été échappé.
15. **AVERTISSEMENT :** Pour réduire le risque d'électrocution, évitez d'exposer l'appareil à la pluie ou à l'humidité. Ne déposez pas d'objets remplis d'eau, tels qu'un vase, sur l'appareil.
16. La fiche de secteur c.a. est utilisée pour débrancher l'appareil et doit être facilement accessible et utilisable durant l'usage prévu. Afin de couper complètement l'alimentation de l'appareil, la fiche de secteur doit être complètement débranchée de la prise c.a.
17. **MISE EN GARDE :** Afin de réduire le risque d'incendie ou d'explosion, n'exposez pas les piles à une source de chaleur excessive telle que le soleil, le feu ou autre.

AVERTISSEMENT RELATIF AU CHARIOT PORTATIF (SYMBOLE FOURNI PAR RETAC)



Visit Our Website: www.singingmachine.com
Visite Nuestra Pagina de Internet: www.singingmachine.com
Visitez notre site Web : www.singingmachine.com

Copyright © 2021 All Rights Reserved.
Derechos de autor © 2021 Todos los derechos reservados.
Droit d'auteur© 2021 - Tous droits réservés.

The Singing Machine Company, Inc.
4060 E Jurupa Street, Unit B
Ontario, CA 91761-1413 USA

U.S. Representative

Company Name : The Singing Machine Company, Inc.

Address : 6301 NW 5th Way, Suite 2900, Fort Lauderdale,
FL33309, USA

Telephone : 954 -596-1000

Website : www.singingmachine.com

PRINTED IN CHINA
IMPRESO EN CHINA
Imprimé en Chine
2040-XXXX-ESF01-US