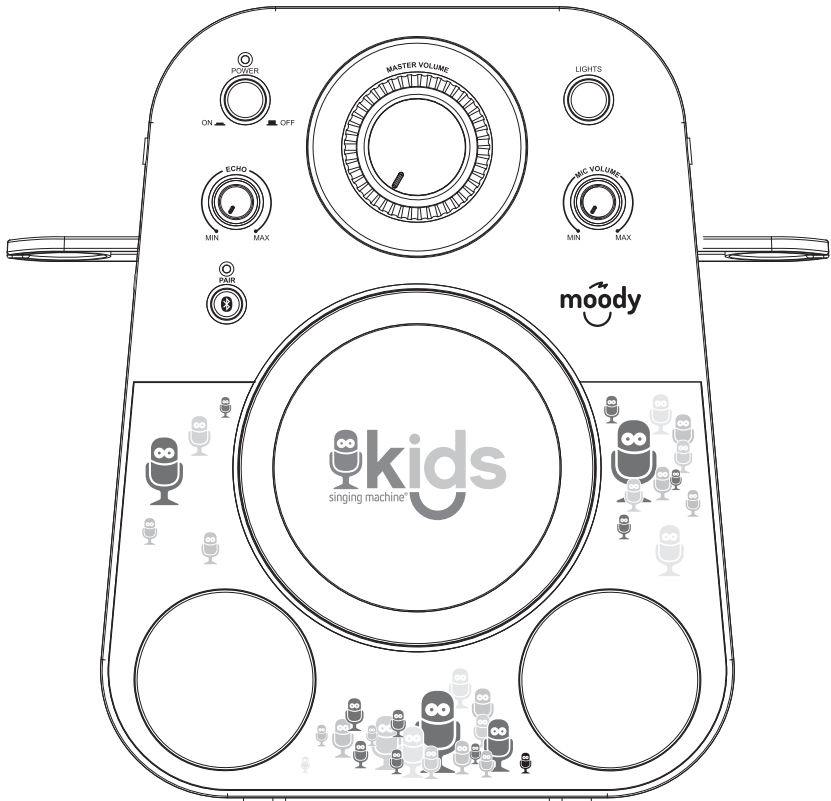


SMK250 USER'S GUIDE

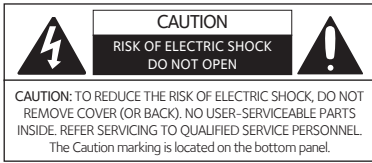
SING-ALONG WITH BLUETOOTH MUSIC



V 1.0

PLEASE READ BEFORE OPERATING THIS EQUIPMENT

Warnings



DANGEROUS VOLTAGE: The lightning flash with arrowhead symbol within an equilateral triangle is intended to alert the user to the presence of uninsulated dangerous voltage within the product's enclosure that may be of sufficient magnitude to constitute a risk of electric shock to persons.



ATTENTION: The exclamation point within an equilateral triangle is intended to alert the user to the presence of important operating and maintenance (servicing) instructions in the literature accompanying this product.

DRIPPING WARNING: This product shall not be exposed to dripping or splashing, and no objects filled with liquids, such as vases, shall be placed on the product.

VENTILATION WARNING: The normal ventilation of the product shall not be impeded for intended use.

SAFETY VERIFICATION: This device is made and tested to meet safety standards of the FCC, requirements and compliance with safety performance of the U.S. Department of Health and Human Services and also with FDA Radiation Performance Standards 21 CFR Subchapter.

WARNING: TO PREVENT FIRE OR SHOCK HAZARD, DO NOT EXPOSE THIS UNIT TO RAIN OR MOISTURE.

FCC WARNING: This equipment may generate or use radio frequency energy. Changes or modifications to this equipment may cause harmful interference unless the modifications are expressly approved in the instruction manual. The user could lose the authority to operate this equipment if an unauthorized change or modification is made.

This device complies with part 15 of the FCC Rules. Operation is subject to the following two conditions: (1) This device may not cause harmful interference, and (2) this device must accept any interference received, including interference that may cause undesired operation.

The device has been evaluated to meet general RF exposure requirement. The device can be used in portable exposure condition without restriction.

NOTE: This equipment has been tested and found to comply with the limits for a Class B digital device, pursuant to part 15 of the FCC Rules. These limits are designed to provide reasonable protection against harmful interference in a residential installation. This equipment generates, uses and can radiate radio frequency energy and, if not installed and used in accordance with the instructions, may cause harmful interference to radio communications. However, there is no guarantee that interference will not occur in a particular installation. If this equipment does cause harmful interference to radio or television reception, which can be determined by turning the equipment off and on, the user is encouraged to try to correct the interference by one or more of the following measures:

- Reorient or relocate the receiving antenna.
- Increase the separation between the equipment and receiver.
- Connect the equipment into an outlet on a circuit different from that to which the receiver is connected.
- Consult the dealer or an experienced radio/TV technician for help.
- The rating information is located at the bottom of the unit.

INDUSTRY CANADA NOTICE:

This device complies with Industry Canada license - exempt RSS standard(s). Operation is subject to the following two conditions:

1. This device may not cause interference, and
2. This device must accept any interference, including interference that may cause undesired operation of the device.

Le présent appareil est conforme aux CNR de l'industrie Canada applicables aux appareils radio exempts de licence. L'exploitation est autorisée aux deux conditions suivantes:

- (1) l'appareil ne doit pas produire de brouillage, et
- (2) l'utilisateur de l'appareil doit accepter tout brouillage radioélectrique subi, même si le brouillage est susceptible d'en compromettre le fonctionnement.

CAN ICES -3(B)/NMB -3(B)

Important Safety Information

1. Read these Instructions.
2. Keep these Instructions.
3. Heed all Warnings.
4. Follow all Instructions.
5. Do not use this apparatus near water.
6. Clean only with a dry cloth.
7. Do not block any of the ventilation openings. Install in accordance with the Manufacturer's instructions.
8. Do not install near any heat sources such as radiators, heat registers, stoves, or other apparatus (including amplifiers) that produce heat.
9. Do not defeat the safety purpose of the polarized or grounding-type plug. A polarized plug has two blades with one wider than the other. A grounding type plug has two blades and a third grounding prong. The wide blade or the third prong are provided for your safety. When the provided plug does not fit into your outlet, consult an electrician for replacement of the obsolete outlet.
10. Protect the power cord from being walked on or pinched particularly at plugs, convenience receptacles, and the point where they exit from the apparatus.
11. Only use attachments/accessories specified by the manufacturer.
12. Use only with a cart, stand, tripod, brace or table specified by the manufacturer sold with the apparatus. When a cart is used, use caution when moving the cart/apparatus combination to avoid injury from tip-over.
13. Unplug this apparatus during lightning storms or when unused for long periods of time.
14. Refer all servicing to qualified service personnel. Servicing is required when the apparatus has been damaged in any way, such as power-supply cord or plug is damaged, liquid has been spilled or objects have fallen into the apparatus, the apparatus has been exposed to rain or moisture, does not operate normally, or has been dropped.
15. **WARNING:** To reduce the risk of fire or electric shock, do not expose this apparatus to rain or moisture. Do not place objects filled with water, such as a vase, on the apparatus.
16. The AC mains plug is used as the power disconnect device and it should remain readily accessible and operable during intended use. In order to completely disconnect the apparatus from power, the mains plug should be completely removed from the AC outlet socket.
17. **CAUTION:** To reduce the risk of fire or explosion, do not expose batteries to excessive heat such as sunshine, fire or other heat sources.

PORTABLE CART WARNING
(symbol provided by IEC)



Feature / Included

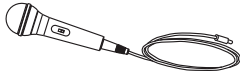
Feature

- Bluetooth wireless stereo audio streaming
- Support A2DP Profiles for most smart phones / laptops
- Mic Volume Controls
- Echo Control
- Microphone Jacks, 3.5mm x2
- Line in jack 3.5mm (Aux input / Audio input)
- Light Effect
- Built-in speakers
- Power: Requires AC power adapter or Batteries

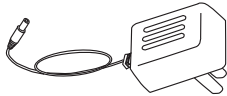
Included

- Singalong unit
- Microphones
- AC power adapter
- User Manual

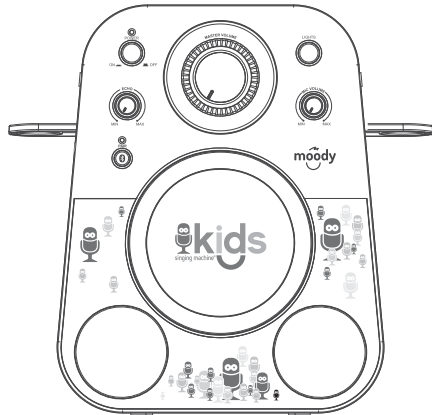
Microphone



AC Adapter

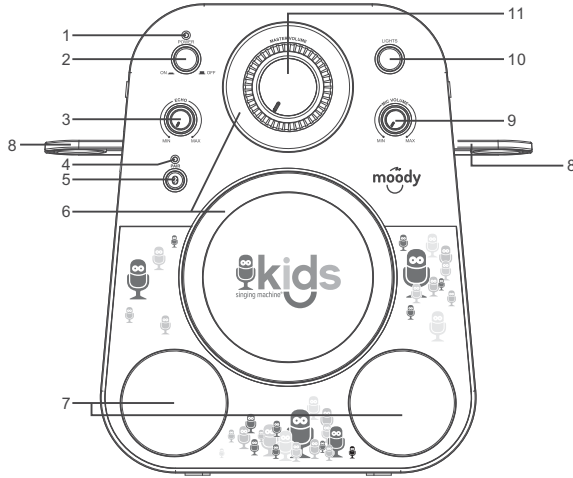


Sing along unit

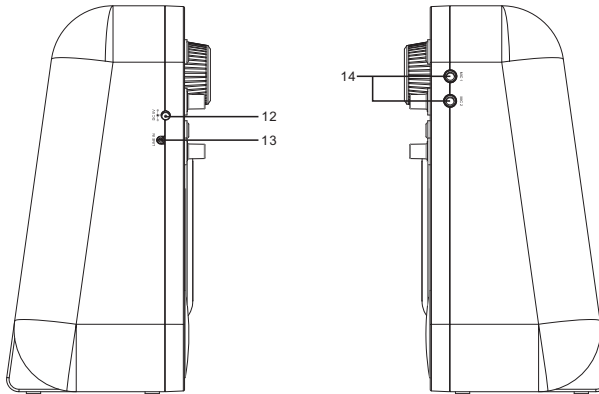


Introduction


FRONT VIEW



REAR VIEW



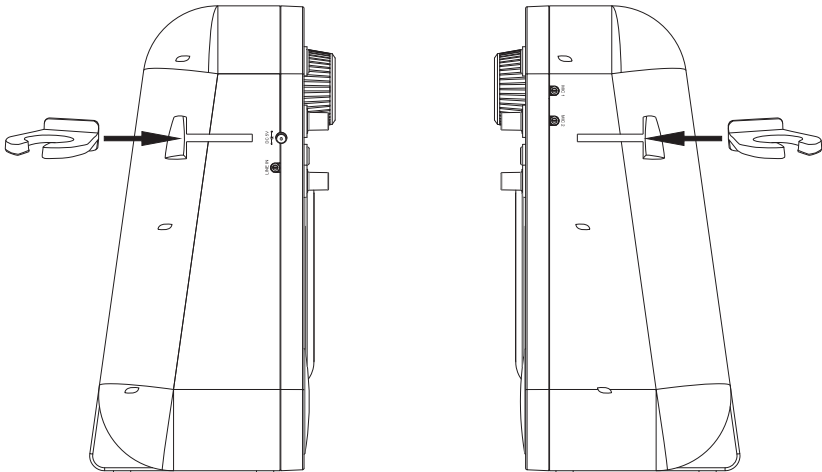
Location Controls

1. **POWER Indicator:** Will be light when unit turn on.
2. **ON/OFF Button:** Press this button to turn on / off unit.
3. **ECHO Dial:** Rotate to adjust echo sound effect.
4. **BT Indicator:** Will flash when unit turn to BT (Bluetooth mode) pairing. Will be light when Bluetooth pairing successfully.
5. **PAIR  Button:** Press to Pair the BT device or reconnect BT device
6. **LIGHT RING:** Will show the light effect
7. **SPEAKER**
8. **MIC Holder:** Place the microphone on the holder
9. **MIC VOLUME Dial:** Rotate to adjust the volume from the MIC input.
10. **LIGHTS Button:** Press this button to show different lights effect and on / off
11. **MASTER VOLUME Dial:** Rotate to adjust the main volume sound level.
12. **DC INPUT Jack:** Connect power adapter for AC power.
13. **LINE IN (Aux in / Audio in) :** Connect to external device audio output.
14. **MIC Inputs:** Mic1 and Mic2 input jack

Setup Mic holder

Install Mic holder

Install the mic holder to hold the Microphone onto unit.



Setup Power

Connect Power Adapter

Plug the included AC adapter into the standard AC power outlet to power the **Sing along unit**. Connect small end to **DC INPUT** jack of main unit. After adapter connection, Press the **ON/OFF** button to turn on/off the **Sing along unit**.

Turning ON/OFF

To turn on the unit, press the **ON/OFF** button, the Power indicator will light up. To turn it off, press the **ON/OFF** button again, the Power indicator is off.

Lights Function

It is a four stages switch. Toggle press the **LIGHTS** button get the different brightness lights effect and on/off the lights.

Sing along Function

Sing along with the music by plugging in the provided microphone into either one of the microphone sockets on the unit.

Echo

Adjust the **ECHO**dial of **Sing alongUnit**to enhance your voice for a concert hall effect.

Microphones

Connect Microphones require a microphone into the MIC 1 Input Socket or MIC 2 Input Socket

Slide the **ON/OFF** switch of the MICROPHONE on and use the unit's **MIC VOLUME** to adjust the volume of audio sound from the microphone.

Requires a microphone (included)

1. Plug the microphone (see below figure) into the **MIC 1 INPUT** or **MIC 2 INPUT**.
2. Slide the **ON /OFF** switch of **MICROPHONE**,
3. Use the**MIC VOLUME** dial of **Sing along Unit** to adjust the volume of audio sound from the microphone.

Bluetooth Operation

External devices that have a built-in Bluetooth feature can connect wirelessly to the **Sing alongUnit**.

Getting Connected

Pairing a Bluetooth device (No LINE IN device is plugged)

1. Power on the unit by press the **ON/OFF** button, Power indicator will light.
2. Set the Bluetooth function of your external device to ON and begin searching for devices.

NOTE: The effective distance between your external device and this apparatus is 10 meters (30 feet).

3. Once “SMK250” appears on the paired device list of your external device, select it.
4. If you are asked for a password, enter “0000”.
5. “Connected” will be heard and Pair indicator light blue steadily that indicates a connection has been established.
6. A few seconds later your Bluetooth connection should be ready to use.

Note: After initial pairing, the unit will stay paired unless unpaired manually by the user or erased due to a reset of the device. If your device should become unpaired or your find it is unable to connect, repeat the above steps or press & hold the PAIR button again.

Playing Music from an External Bluetooth Device

1. Follow the “Getting Connected” steps above to pair your external device.
2. Turn on the music player program on your external device and set it to play.
3. Audio played through the connected Bluetooth Device will now be heard through the speakers.
4. Adjust the **MASTER VOLUME** to obtain the desired volume level.

Auxiliary Operation

External (auxiliary) audio sources or MP3 players can connect to the Sing Along unit via LINE IN.

LINE IN(AUDIOIN)

1. Connect a 3.5mm Auxiliary Cable (not included) to the **LINE IN** jack at the left side of unit and to the Audio Output or Phones on the audio device you wish to play.
2. Turn on both units. (The sound “Aux mode” can be heard) .
3. After the connection, the external device will sound from speakers of your unit.

Please note:-If not use the this function, please unplug it.

Specification

AC Power	Use included adapter
Adapter Connect DC Jack	AC~ Input 100-240V 50/60 Hz , DC Output 5V, 0.8A
Bluetooth	For Music Share V2.1 + EDR
Master Power Output	1.8W x 2RMS
Loud Speakers Spec	3 Inch,3 Watt , 4 Ohm

Specifications are typical, individual units might vary. They are subject to continuous improvement without notice and without incurring any obligation.