

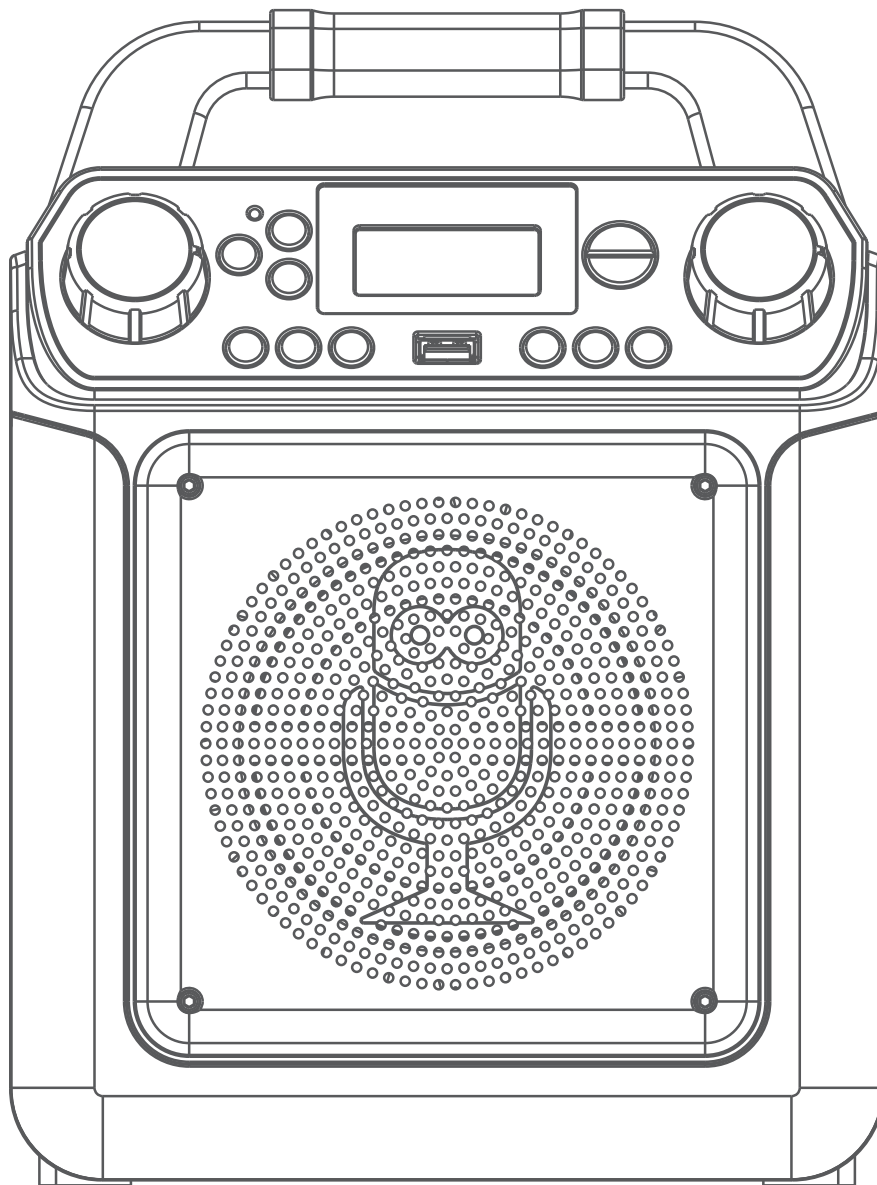


# singing machine<sup>®</sup>

creating Joy through music™

## **SML650BK / SML650W**

INSTRUCTION MANUAL/ MANUAL DE INSTRUCCIONES/  
MODE D'EMPLOI





**[www.singingsmachine.com](http://www.singingsmachine.com)**


The Singing Machine<sup>®</sup> is a registered trademark of The Singing Machine Co., Inc.


The Singing Machine<sup>®</sup> es marca registrada de The Singing Machine Co., Inc.

The Singing Machine<sup>®</sup> est une marque déposée de The Singing Machine Co., Inc.

# Warnings

	<b>CAUTION</b> RISK OF ELECTRIC SHOCK DO NOT OPEN	
<b>CAUTION: TO REDUCE THE RISK OF ELECTRIC SHOCK, DO NOT REMOVE COVER (OR BACK). NO USER-SERVICEABLE PARTS INSIDE. REFER SERVICING TO QUALIFIED SERVICE PERSONNEL.</b> The Caution marking is located on the bottom panel.		

 **DANGEROUS VOLTAGE:** The lightning flash with arrowhead symbol within an equilateral triangle is intended to alert the user to the presence of uninsulated dangerous voltage within the product's enclosure that may be of sufficient magnitude to constitute a risk of electric shock to persons.

 **ATTENTION:** The exclamation point within an equilateral triangle is intended to alert the user to the presence of important operating and maintenance (servicing) instructions in the literature accompanying this product.

**DRIPPING WARNING:** This product shall not be exposed to dripping or splashing, and no objects filled with liquids, such as vases, shall be placed on the product.

**VENTILATION WARNING:** The normal ventilation of the product shall not be impeded for intended use.

**CAUTION: TO PREVENT ELECTRIC SHOCK, MATCH WIDE BLADE OF PLUG TO WIDE SLOT AND FULLY INSERT.**

**WARNING: TO PREVENT FIRE OR SHOCK HAZARD, DO NOT EXPOSE THIS UNIT TO RAIN OR MOISTURE.**

**FCC WARNING:** This equipment may generate or use radio frequency energy. Changes or modifications to this equipment may cause harmful interference unless the modifications are expressly approved in the instruction manual. The user could lose the authority to operate this equipment if an unauthorized change or modification is made.

This device complies with part 15 of the FCC Rules. Operation is subject to the following two conditions: (1) This device may not cause harmful interference, and (2) this device must accept any interference received, including interference that may cause undesired operation.

**NOTE:** This equipment has been tested and found to comply with the limits for a Class B digital device, pursuant to part 15 of the FCC Rules. These limits are designed to provide reasonable protection against harmful interference in a residential installation. This equipment generates, uses and can radiate radio frequency energy and, if not installed and used in accordance with the instructions, may cause harmful interference to radio communications. However, there is no guarantee that interference will not occur in a particular installation. If this equipment does cause harmful interference to radio or television reception, which can be determined by turning the equipment off and on, the user is encouraged to try to correct the interference by one or more of the following measures:

- Reorient or relocate the receiving antenna.
- Increase the separation between the equipment and receiver.
- Connect the equipment into an outlet on a circuit different from that to which the receiver is connected.
- Consult the dealer or an experienced radio/TV technician for help.

The rating information is located at the bottom of the unit.

**This equipment should be installed and operated with a minimum distance of 20 cm between the radiator and your body.**

# Important Safety Information

1. Read these Instructions.
2. Keep these Instructions.
3. Heed all Warnings.
4. Follow all Instructions.
5. Do not use this apparatus near water.
6. Clean only with a dry cloth.
7. Do not block any of the ventilation openings. Install in accordance with the Manufacturer's instructions.
8. Do not install near any heat sources such as radiators, heat registers, stoves, or other apparatus (including amplifiers) that produce heat.
9. Do not defeat the safety purpose of the polarized or grounding-type plug. A polarized plug has two blades with one wider than the other. A grounding type plug has two blades and a third grounding prong. The wide blade or the third prong are provided for your safety. When the provided plug does not fit into your outlet, consult an electrician for replacement of the obsolete outlet.
10. Protect the power cord from being walked on or pinched particularly at plugs, convenience receptacles, and the point where they exit from the apparatus.
11. Only use attachments/accessories specified by the manufacturer.
12. Use only with a cart, stand, tripod, bracket, or table specified by the manufacturer, ( PORTABLE CART WARNING (symbol provided by RETAC) sold with the apparatus. When a cart is used use caution when moving the cart/apparatus combination to avoid injury from tip-over.
13. Unplug this apparatus during lightning storms or when unused for long periods of time.
14. Refer all servicing to qualified service personnel. Servicing is required when the apparatus has been damaged in any way, such as power-supply cord or plug is damaged, liquid has been spilled or objects have fallen into the apparatus, the apparatus has been exposed to rain or moisture, does not operate normally, or has been dropped.
15. **WARNING:** To reduce the risk of fire or electric shock, do not expose this apparatus to rain or moisture. Do not place objects filled with water, such as a vase, on the apparatus.
16. The AC mains plug is used as the power disconnect device and it should remain readily accessible and operable during intended use. In order to completely disconnect the apparatus from power, the mains plug should be completely removed from the AC outlet socket.
17. **CAUTION:** To reduce the risk of fire or explosion, do not expose batteries to excessive heat such as sunshine, fire or other heat sources.



## INDUSTRY CANADA NOTICE:

This device complies with Industry Canada license-exempt RSS standard(s). Operation is subject to the following two conditions:

- (1) This device may not cause interference, and
- (2) This device must accept any interference, including interference that may cause undesired operation of the device.

This equipment should be installed and operated with a minimum distance of 20 cm between the radiator and your body.

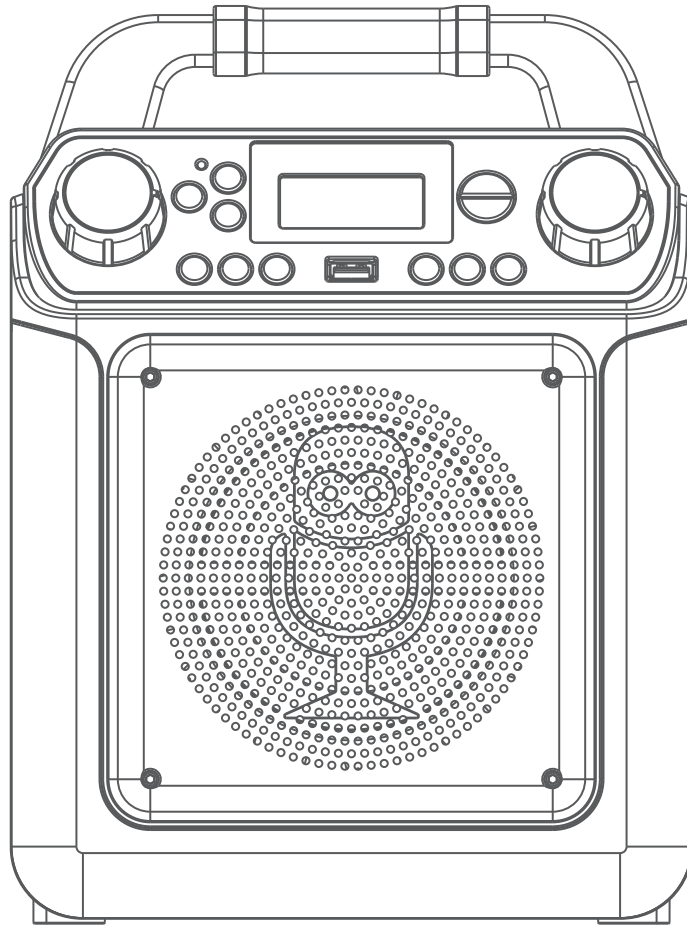
Le présent appareil est conforme aux CNR d'Industrie Canada applicables aux appareils radio exempts de licence. L'exploitation est autorisée aux deux conditions suivantes:

- (1) l'appareil ne doit pas produire de brouillage, et
  - (2) l'utilisateur de l'appareil doit accepter tout brouillage radioélectrique subi, même si le brouillage est susceptible d'en compromettre le fonctionnement.
- Cet équipement doit être installé et utilisé à une distance minimale de 20 cm entre le radiateur et votre corps.

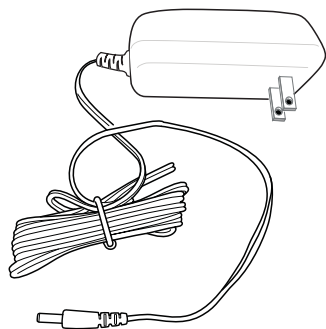
CAN ICES-3(B)/NMB-3(B)

# Included

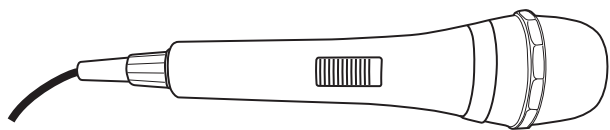
Please make sure the following items are included.



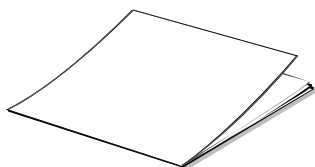
Main Unit



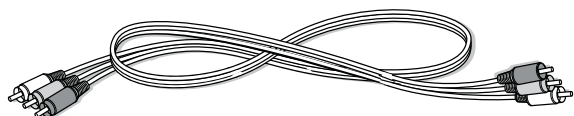
AC Adapter



Wired Microphone

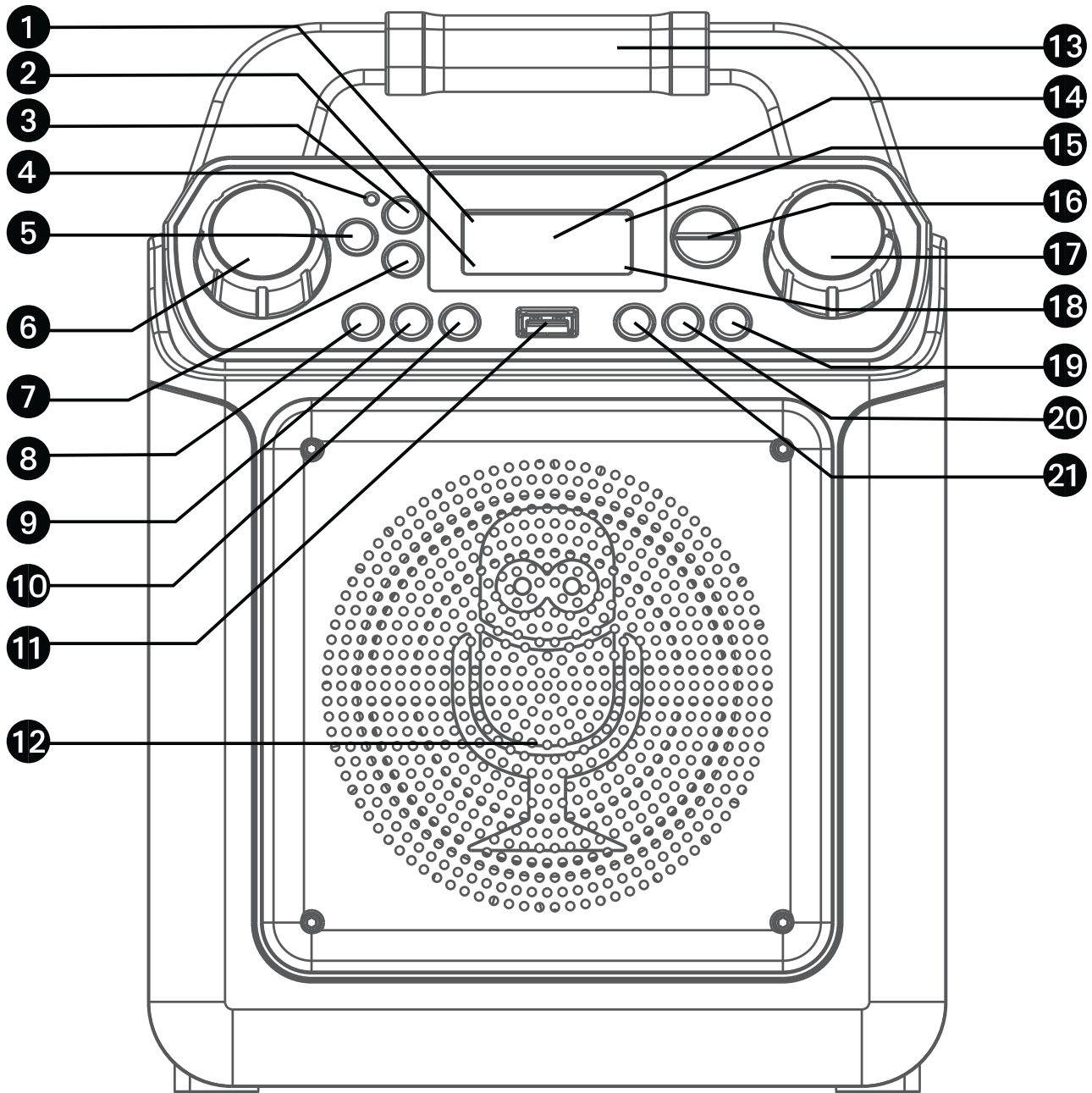







Manual



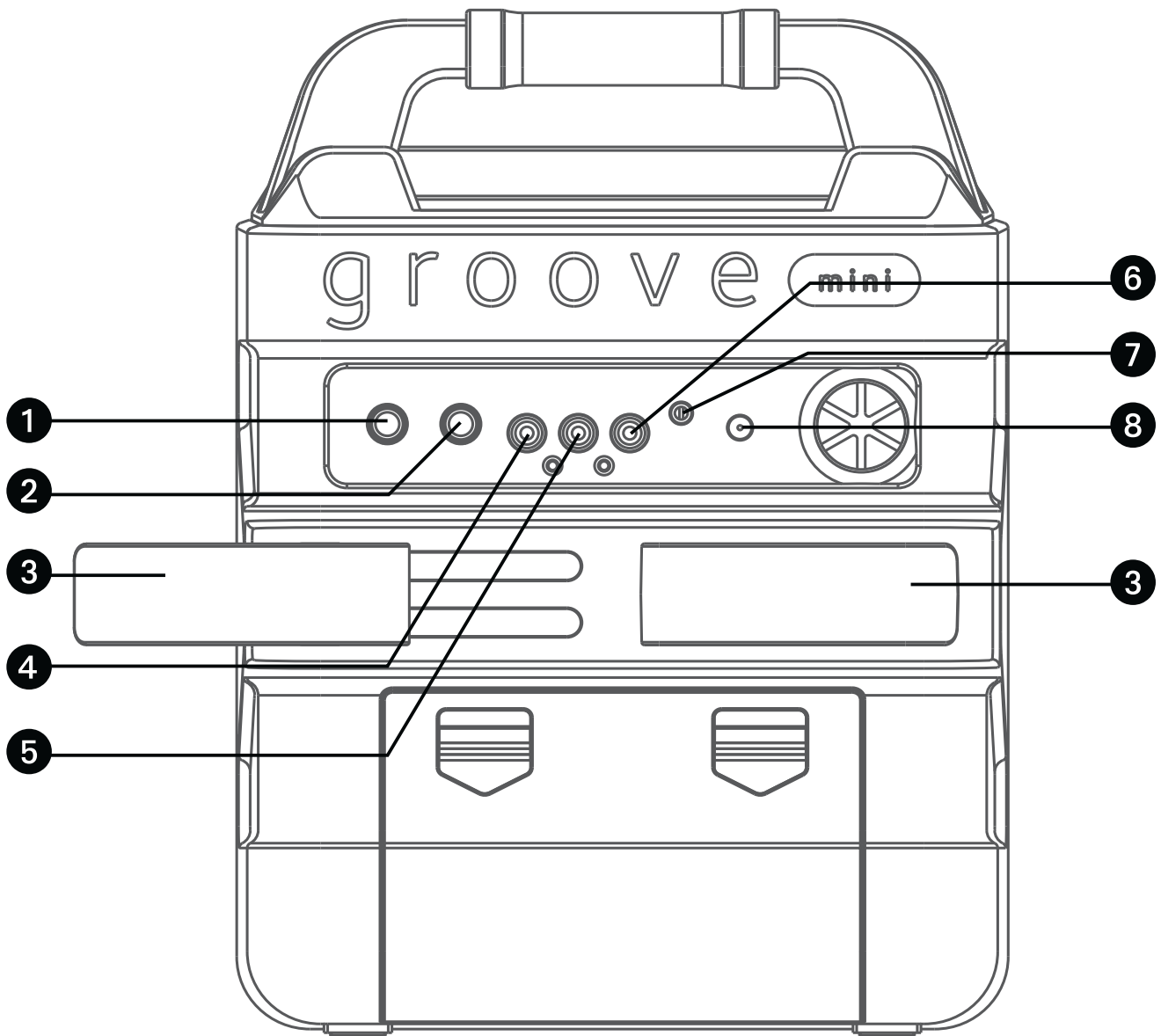
Audio/Video Cables

# Location of Controls (Top/Front)



- |  |                                  |
|--|----------------------------------|
| 1. MP3+G indicator   | 12. Speaker                      |
| 2. Repeat indicator  | 13. Handle                       |
| 3.  Bluetooth Button  | 14. Display                      |
| 4. Bluetooth indicator   | 15. Play/Pause indicator         |
| 5.  ON/STANDBY Button | 16. VOICE EFFECTS UP/DOWN Button |
| 6. MIC VOLUME Control  | 17. MASTER VOLUME Control        |
| 7. MODE Button   | 18. Program indicator            |
| 8. PLAY/PAUSE  Button | 19. LIGHT Button                 |
| 9. Skip  Button       | 20. PROG/REPEAT Button           |
| 10. Skip  Button      | 21. +10 Button                   |
| 11. USB Port   |                                  |

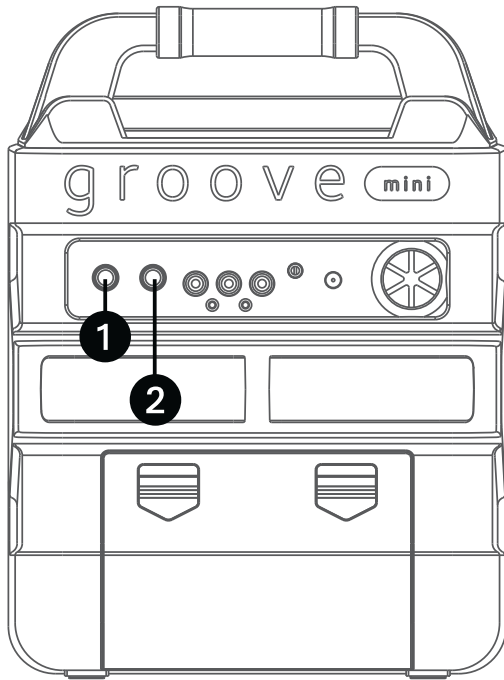
# Location of Controls (Rear)



- |                           |                       |
|---------------------------|-----------------------|
| 1. MIC 1 Jack             | 5. AUDIO OUT Jack (R) |
| 2. MIC 2 Jack             | 6. AUDIO OUT Jack (L) |
| 3. Extendable MIC holders | 7. AUX IN Jack        |
| 4. VIDEO OUT Jack         | 8. DC IN Jack         |

# Connection

## Connecting the Microphone(s)

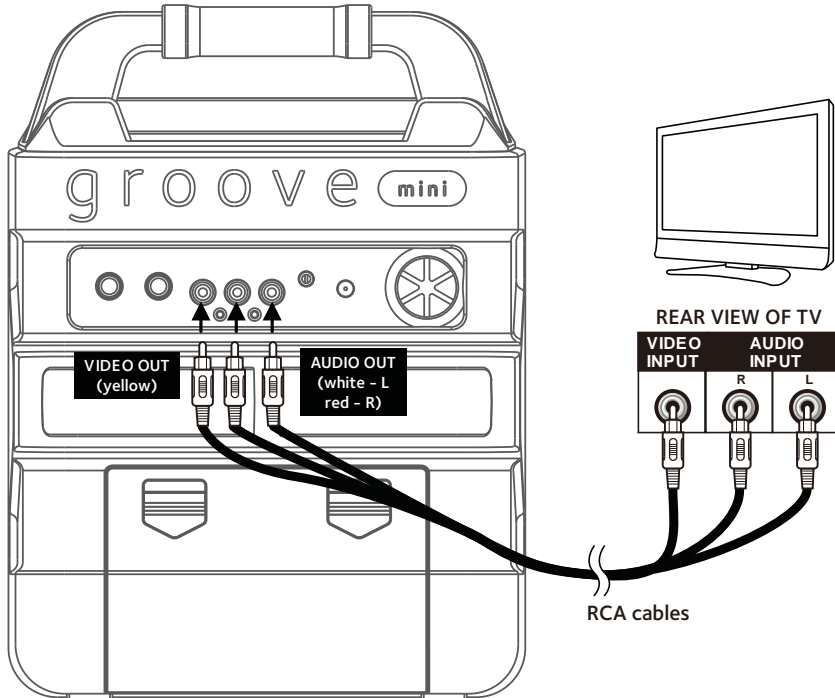


### Microphones:

Connect a microphone into Mic jack 1 **1** as well as Mic jack 2 **2** (when desired).

**Note:** Do not drop or tap the Mic as damage to the Mic or speakers may occur. Do not twirl the microphone cord as it will cause damage to the encased wiring.

## Connecting the Unit to a TV



To output the video, lyrics and audio to your TV, perform the following steps:

Connect the RCA video cable (Yellow) to the VIDEO OUT jack and the audio cables (White and Red) to the AUDIO OUT jacks located on the back of the Singing Machine.

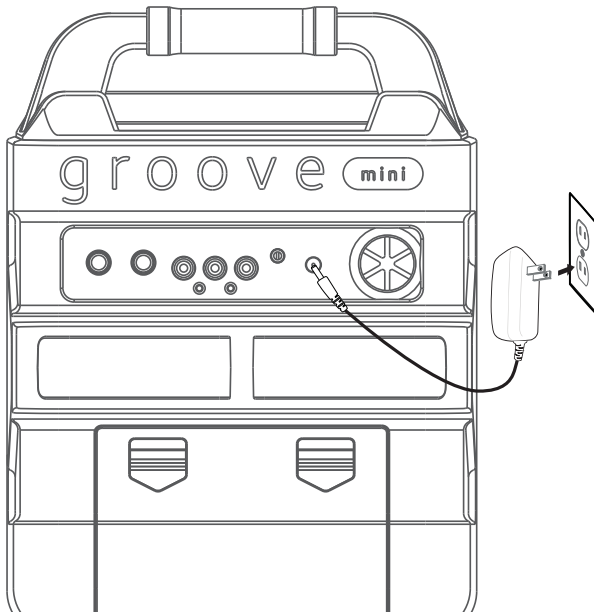
Connect the opposite end of the RCA video cable (Yellow) to the VIDEO IN jack and the audio cables (White and Red) to the AUDIO IN on your TV.

### Notes:

- This unit can be used with or without a TV, but it is highly recommended to use a TV in order to utilize all the features.
- Also refer to the TV's User Guide for input and display instructions.
- To see the lyrics on the screen, you must play MP3+G files through the USB port.

# Connection

## Connecting to AC Power

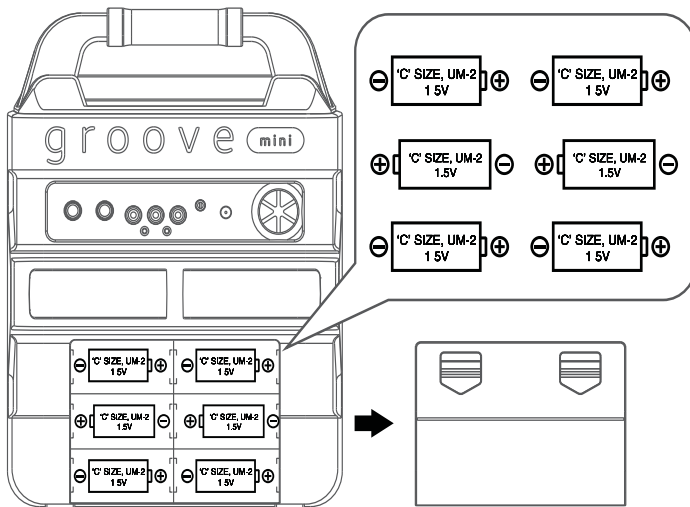


Insert the AC power cord into a conveniently located AC outlet having AC 120V, 60Hz.

### Note:

Make all connections before connecting to AC power.

## Inserting Batteries



1 Slide the battery door in the direction the arrows to reveal the battery compartment. Insert six (6) "C" size alkaline batteries (not included) as indicated on the diagram.

2 Replace cover tightly before operating.

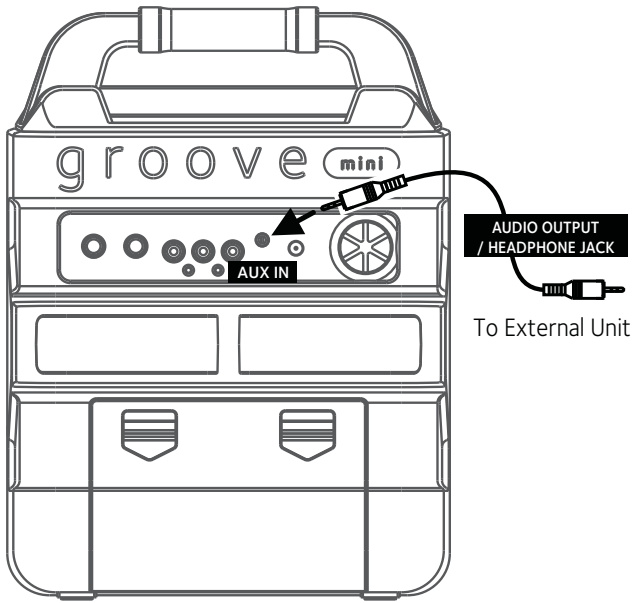
### Battery Precautions

The precautions below should be followed when using batteries in this device:

1. Use only the size and type of batteries specified.
2. Be sure to follow the correct polarity when installing the batteries as indicated in the battery compartment. Reversed batteries may cause damage to the device.
3. Do not mix different types of batteries together (e.g. Alkaline and Carbon Zinc) or old batteries with fresh ones.
4. If the device is not to be used for a long period of time, remove the batteries to prevent damage or injury from possible battery leakage.
5. Do not try to recharge batteries not intended to be recharged, they can overheat and rupture. (Follow battery manufacturer's directions.)
6. Rechargeable batteries are to be removed from the product before being charged.
7. Rechargeable batteries are only to be charged under adult supervision.
8. Exhausted batteries are to be removed from the product.
9. Batteries shall not be exposed to excessive heat such as sunshine, fire or the like.

# Connection

## Connecting to AUX IN Jack



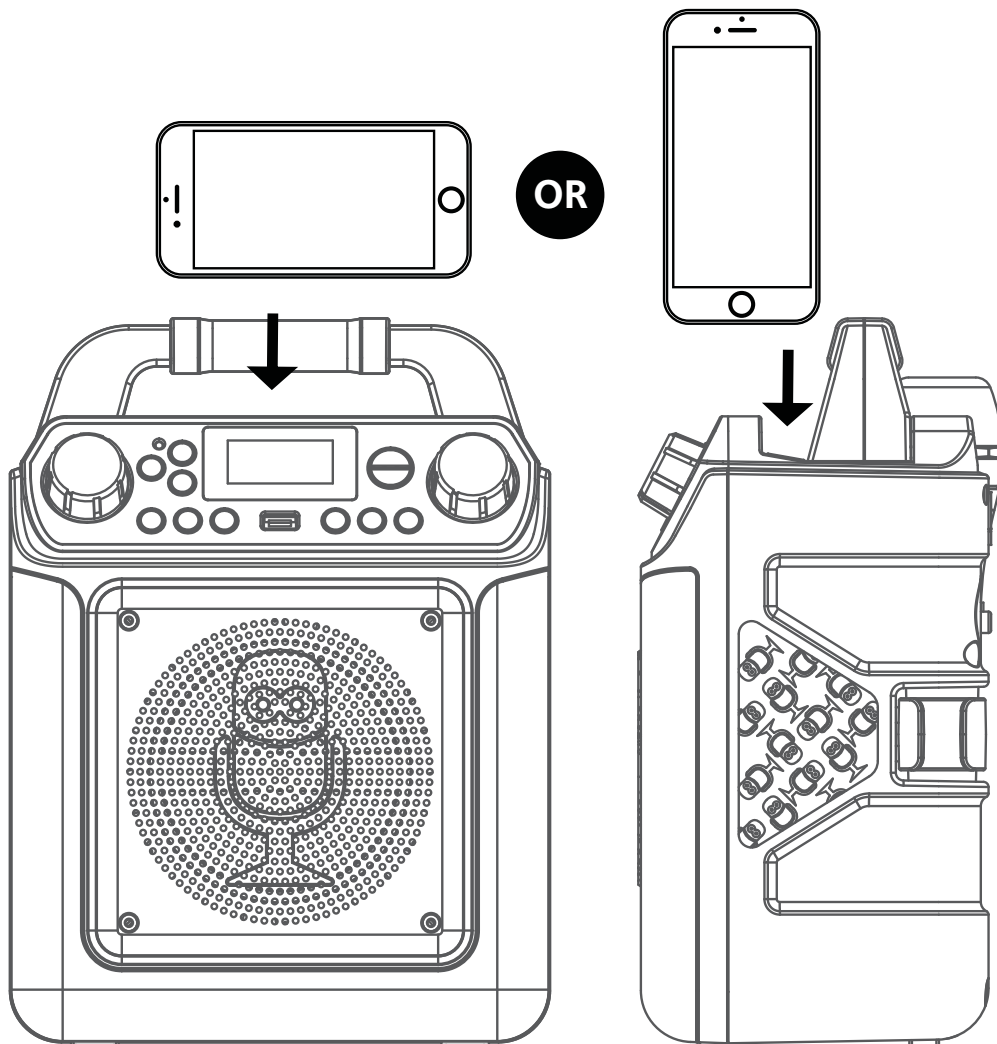
Connect an external device by using an appropriate cable (3.5mm audio cable not included) as shown.

### **Note:**

See page E14 to select and use the Aux In function.

---

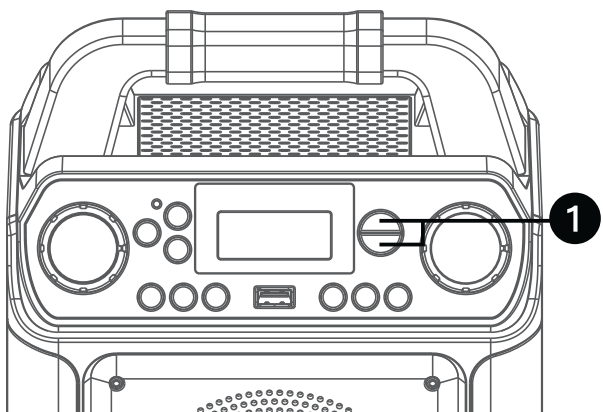
## Cradle

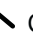





# Operation

## Sound Effect



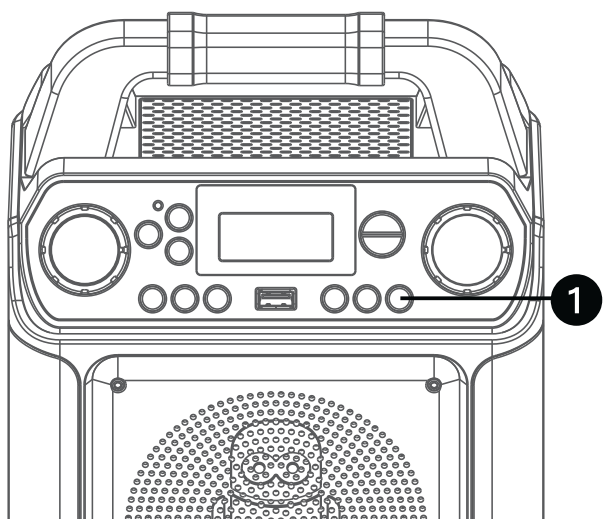
Repeatedly press the **VOICE EFFECTS**  or  buttons to select different vocal effects.

Display will show:

- EF0 - NONE,
- EF1 - ECHO,
- EF2 - FEMALE,
- EF3 - MALE,
- EF4 - CHIPMUNK,
- EF5 - ROBOT, or
- EF6 - RADIO.

---

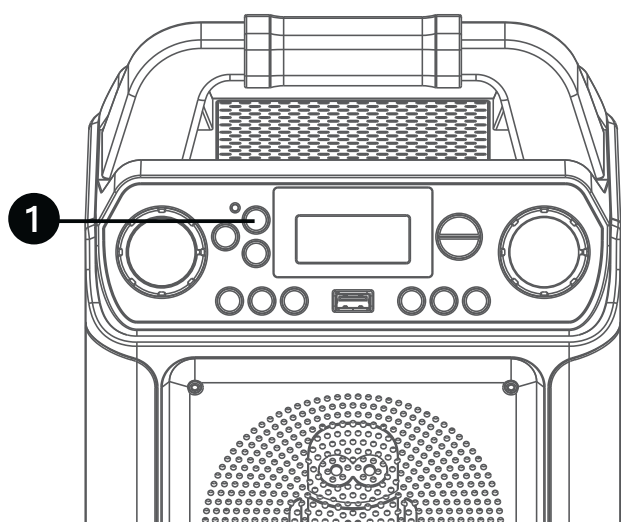
## Speaker Lights




Press the **LIGHT** button to switch on the lighting effect, press again to switch off.

---

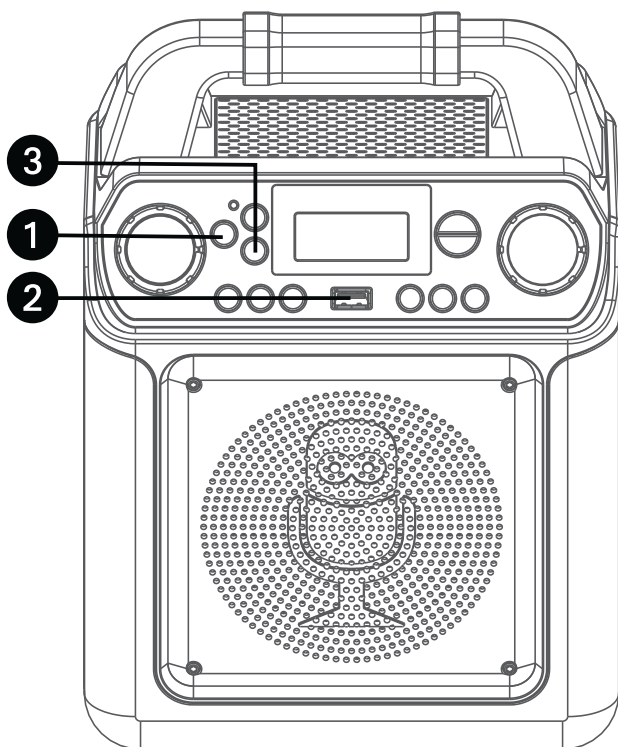
## Bluetooth Mode



Press the  button to easily set the machine into pairing mode.

# Operation

## Playing Songs from the USB



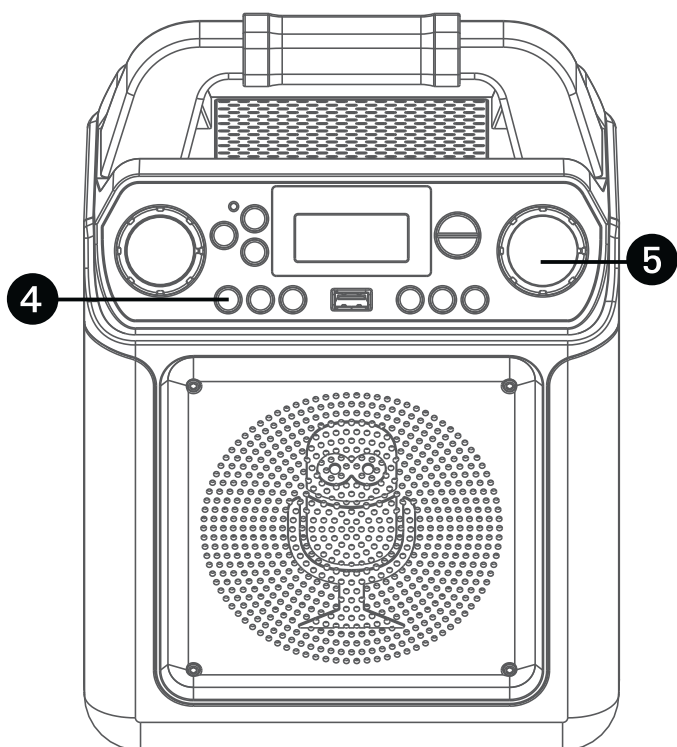
**1** Connect the unit as described previously; it should be connected to a TV. Press the **ON/STANDBY** button to turn the unit on.

**2** Insert a USB flash containing MP3 or MP3+G files drive into the USB port on the unit so it faces upward. We have a large selection of karaoke music available for download through our Karaoke Store.

**3** Repeatedly press the **MODE** button to select the USB mode; "USB" will appear when searching the drive and then the total number of files will appear.

### Notes:

- The USB mode cannot be accessed until a flash drive is inserted.
- It is highly recommended to have it connected to a TV for USB playback.



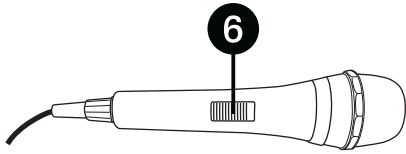
**4** Press the **PLAY/PAUSE** button to start playback; if listening to an MP3+G file, the image and lyrics will appear on the TV screen (if connected). The MP3+G indicator will light solid.

**5** Adjust the volume to a comfortable level using the **MASTER VOLUME** control.

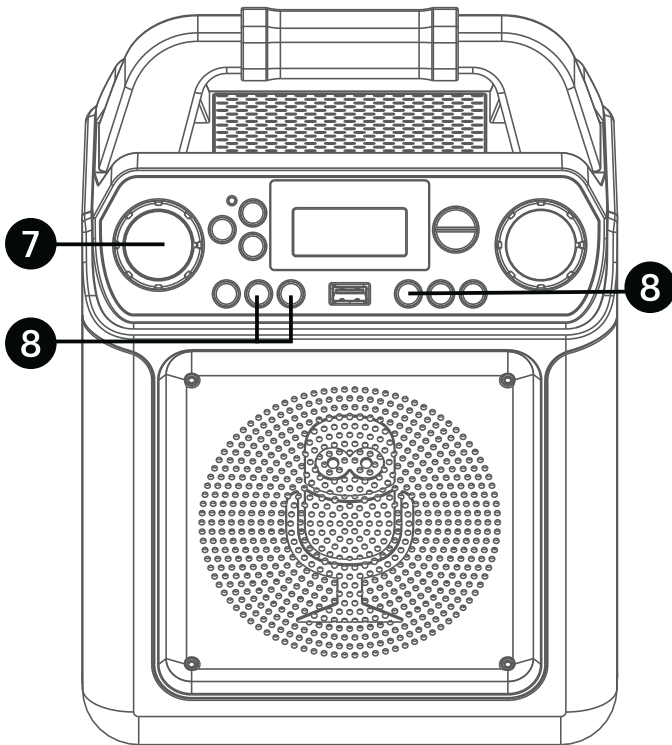
**Note:** If connected to a TV or other audio source, adjust the volume of the TV using its own volume control.

# Operation

## Playing Songs from the USB (Continued)

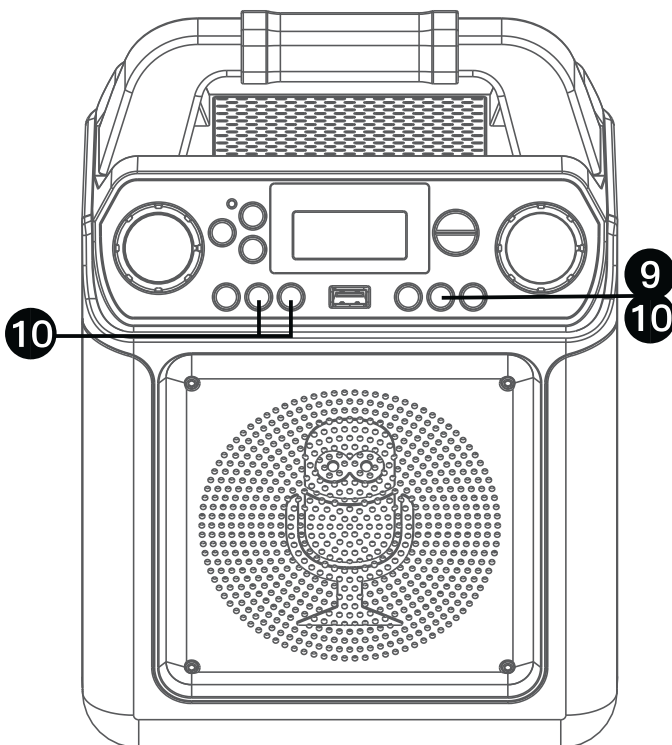


**6** Connect microphone(s) and slide the **ON/OFF** switch on the microphone to the ON position.



**7** Adjust the **MIC VOLUME** control as desired. Increasing this control will increase the volume of both microphones.

**8** **SKIP:** Advance or go back one track by pressing the **⏮** or **⏭** buttons. You can also skip ahead 10 files/ tracks using the **+10** button.



**9** **REPEAT:** During playback, press the **PROG/REPEAT** button once to repeatedly play the selected song; the Repeat indicator will blink rapidly. Press the **PROG/REPEAT** button a second time to repeatedly play the selected folder; the Repeat indicator will blink slowly. Press a third time to repeatedly play the USB; the Repeat indicator will light solid. Press it again to cancel Repeat function; the indicator will turn off.

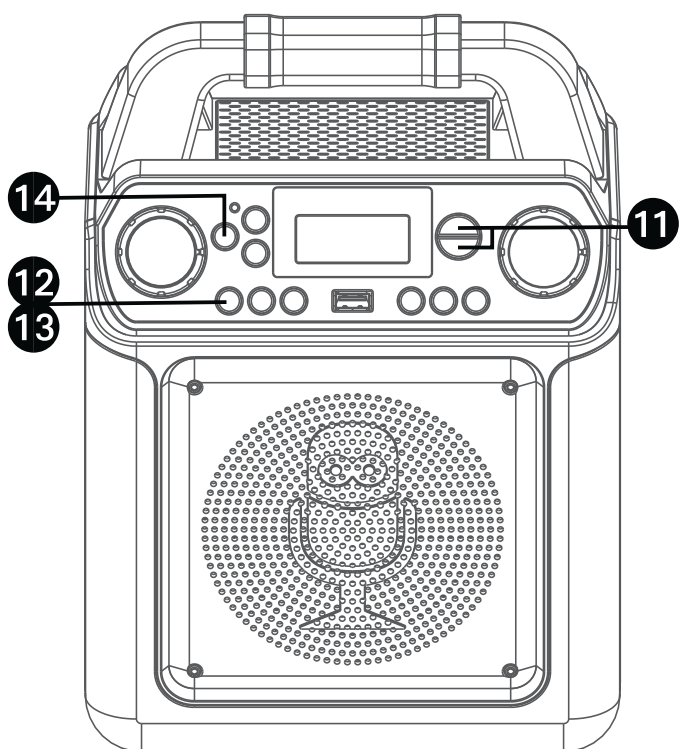
**10** **PROGRAM:** You can program up to 20 tracks for playback in any desired order. While in the Stop mode, press the **PROG/REPEAT** button; the Prog. indicator will blink and "01" will appear on the display indicating the first program is ready to program. Select the first track using the **⏮/⏭** buttons. Press the **PROG/REPEAT** button again to confirm the entry. Repeat to set up to 20 tracks into memory. When done, press the **PLAY/PAUSE** **⏮** button to start playback.

# Operation

## Playing Songs from the USB (Continued)

### Notes:

- Press and hold the **PROG/REPEAT** button to stop and clear the program.
- If more than 20 tracks are attempted to be programmed, "FUL" will appear in the display.



**11 SOUND EFFECT:** Repeatedly press the **VOICE EFFECTS**  $\wedge$  or  $\vee$  buttons to select from ECHO, FEMALE, MALE, CHIPMUNK, ROBOT or RADIO vocal effects. Select NONE to sing without any voice effect.

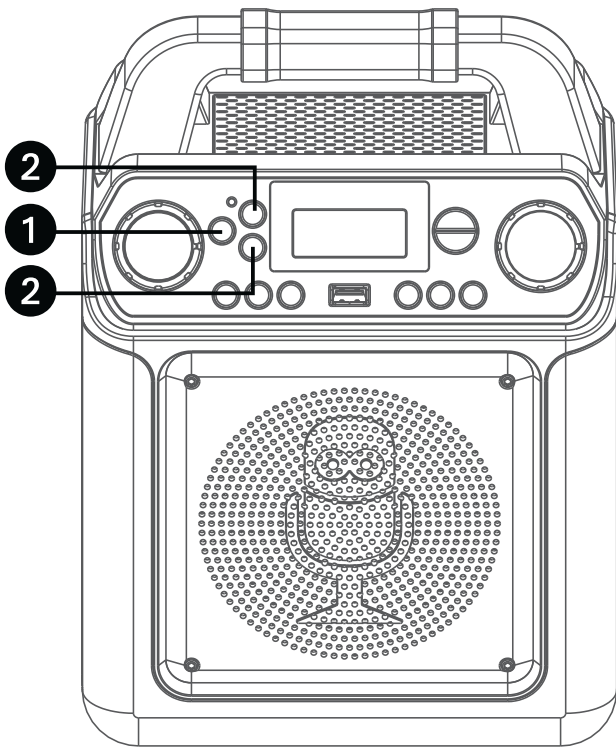
**12 PAUSE:** During playback, if you wish to pause momentarily, press the **PLAY/PAUSE**  $\blacktriangleright\parallel$  button; the Play/Pause indicator will blink. Press again to resume normal playback.

**13** Press and hold the **PLAY/PAUSE**  $\blacktriangleright\parallel$  button to stop playback.

**14** Press the **ON/STANDBY** button to turn the unit off.

# Operation

## Using a Bluetooth Device



**1** Connect the unit as described previously. Press the **ON/STANDBY** button to turn the unit on.

**2** Press the **Bluetooth** button or repeatedly press the **MODE** button to select the Bluetooth; “bt” will appear in the display. The unit automatically searches for and pairs a previously paired Bluetooth device (if previously paired). If no previously paired devices are present, connect as shown in the next step.

**Note:** You can also press the **Bluetooth** button to disconnect any paired devices in order to pair another device.

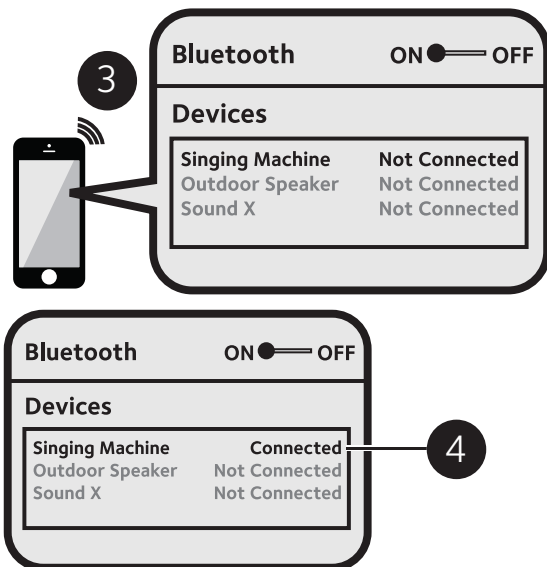
**3** Turn on your device’s Bluetooth option in settings to search for a discoverable device with a Bluetooth signal. Select “**Singing Machine**” from the device results on the Bluetooth menu.

**Note:** Also refer to the user manual of your Bluetooth device for detailed instructions.

**4** The Bluetooth indicator will light solid and a chime will sound.

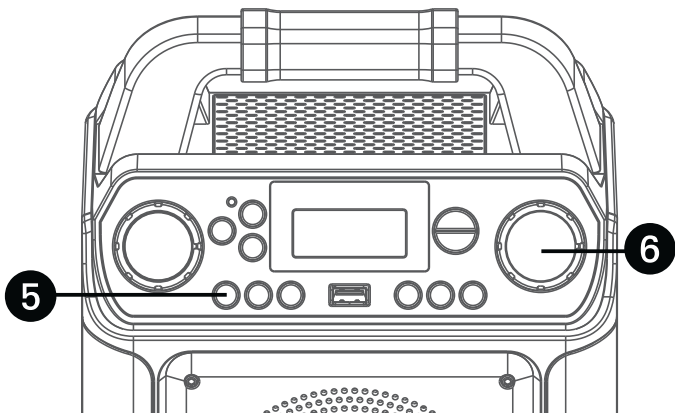
### Notes:


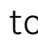
- If your Bluetooth prompts you for a passcode during the pairing process, please enter “0000” to connect.
- On some Bluetooth devices, once pairing is complete, select your Bluetooth device as “Use as Audio Device” or similar.
- If connection is lost after successful pairing, check to make sure the distance between speaker and Bluetooth-enabled device does not exceed 30 feet/10 meters.



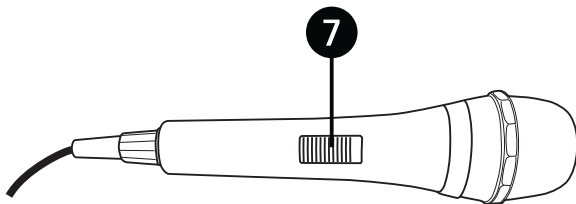
# Operation

## Using a Bluetooth Device (Continued)

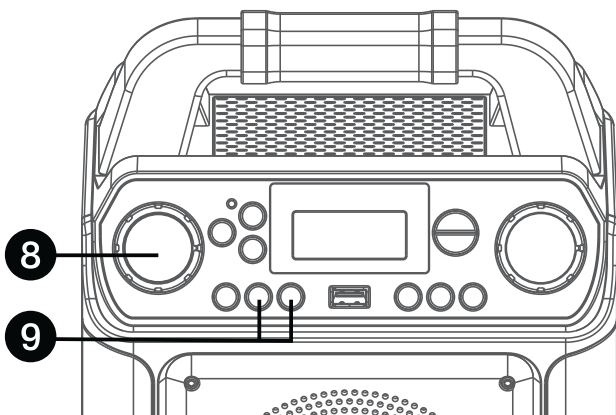


**5** To control your Bluetooth device from this unit, press the **PLAY/PAUSE**  button to start playback (music app must be open). Press the **PLAY/PAUSE**  button during playback to pause the song.

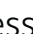

**6** Adjust the volume to a comfortable level using the **MASTER VOLUME** control on this unit as well as the volume on your Bluetooth device.

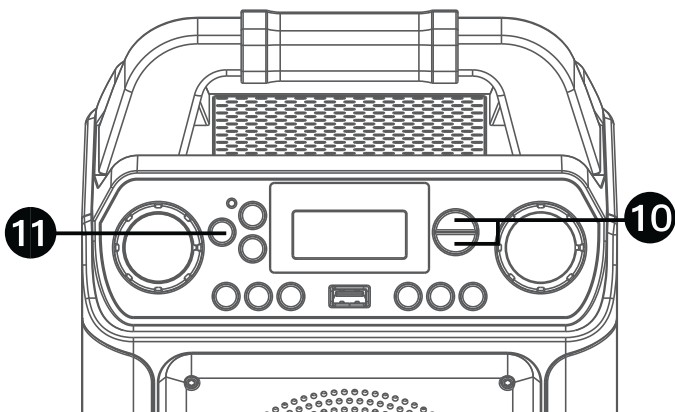




**7** Connect microphone(s) and slide the **ON/OFF** switch on the microphone to the ON position.



**8** Adjust the **MIC VOLUME** control as desired. Increasing this control will increase the volume of both microphones.

**9** **SKIP:** Advance or go back one track by pressing the  or  buttons.

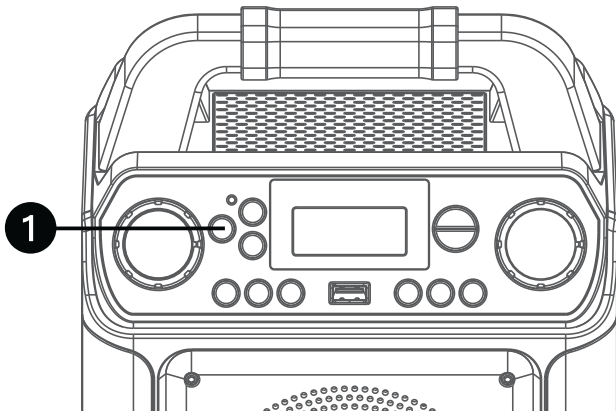


**10** **SOUND EFFECT:** Repeatedly press the **VOICE EFFECTS**  or  buttons to select from ECHO, FEMALE, MALE, CHIPMUNK, ROBOT or RADIO vocal effects. Select NONE to sing without any voice effect.

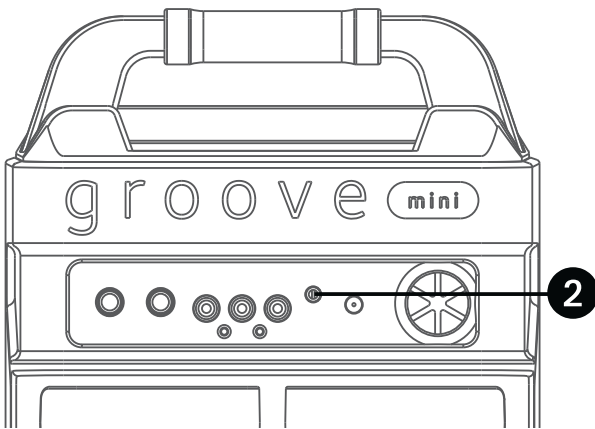
**11** Press the **ON/STANDBY**  button to turn the unit off.

# Operation

## Using the AUX IN Jack



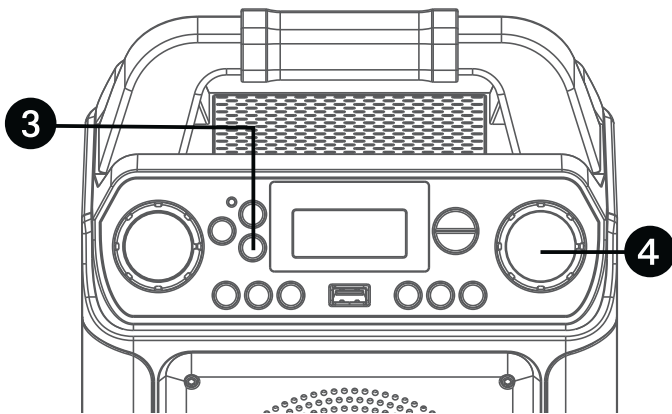
1 Connect the unit as described previously. Press the **ON/STANDBY** button to turn the unit on.



2 Connect the external unit to the AUX IN Jack on the rear of this unit. Connecting an external unit will allow the audio to be played through your Singing Machine.

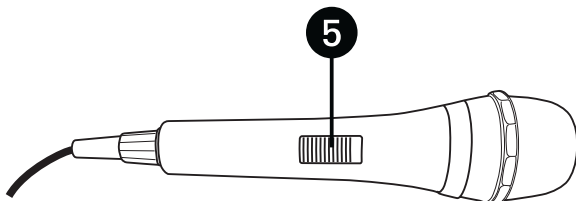
### Notes:

- It is highly recommended to set the volume on the auxiliary unit to 1/3 or lower to avoid distortion.
- Skipping files/tracks is not possible on this unit when using an external device.



3 Repeatedly press the **MODE** button to select the AUX IN mode; "AU" will appear in the display.

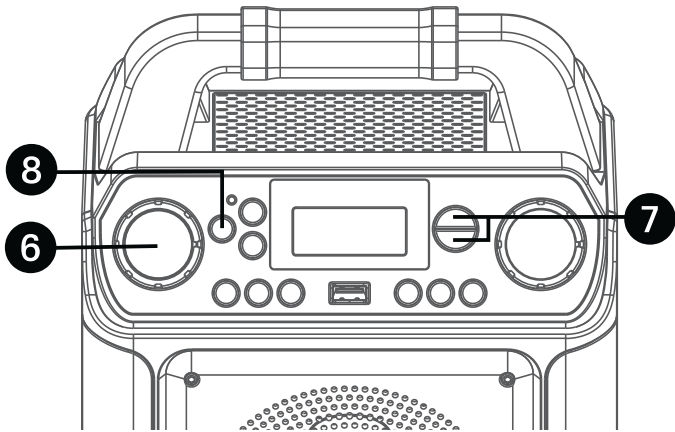
4 Adjust the volume using the **MASTER VOLUME** control on this unit or your external device's volume control.



5 Connect microphone(s) and slide the **ON/OFF** switch on the microphone to the ON position.

# Operation

## Using the AUX IN Jack (Continued)



**6** Adjust the **MIC VOLUME** control as desired. Increasing this control will increase the volume of both microphones.

**7** **SOUND EFFECT:** Repeatedly press the **VOICE EFFECTS** ^ or v buttons to select from ECHO, FEMALE, MALE, CHIPMUNK, ROBOT or RADIO vocal effects. Select NONE to sing without any voice effect.

**8** Press the **ON/STANDBY** button to turn the unit off.



# Operation

## Where to Download MP3+G Files

### Helpful Hints:

The .mp3 and .cdg files are delivered for download in a single, compressed MP3+G.zip file. The MP3+G file cannot be played as a .zip file on a USB flash drive. To play karaoke songs using a USB flash drive, the MP3+G .zip file must be unzipped as follows:

- Connect a USB flash drive to your computer.
- Download the MP3+G file from your Digital Locker and save the .zip\* file to a folder on your computer.
- Double click the .zip file to open the .zip (you will see the .mp3 and .cdg files).
- Drag and drop the .mp3 and .cdg files to the USB flash drive.
- Remove (eject) the USB flash drive from your computer.

Turn on the Singing Machine and connect the USB flash drive.

To purchase and download karaoke music, please visit <http://store.singingmachine.com> to access over 13,000+ of your favorite karaoke songs. You will need a USB flash drive (not included) to transfer the downloads to this unit.

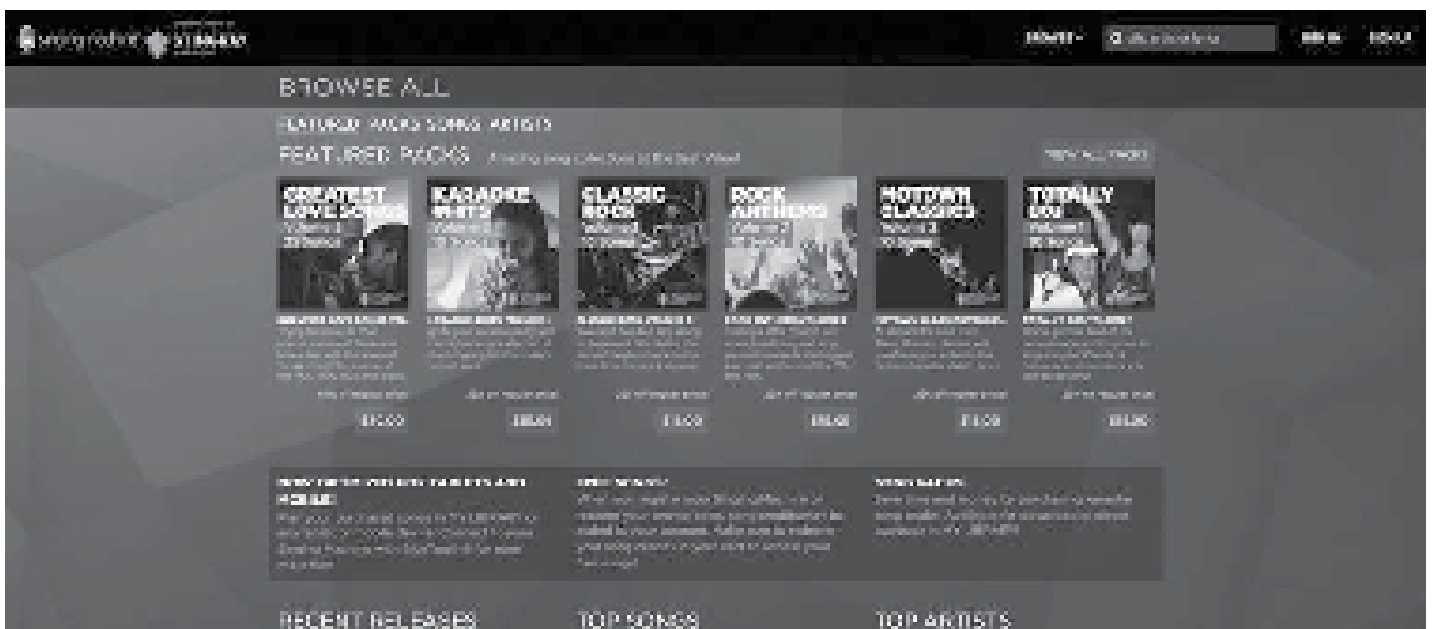
Follow these easy steps:

- 1 Go to <http://store.singingmachine.com> using your internet browser, and then register.
- 2 Select and purchase your favorite karaoke music from the Singing Machine Download Store.
- 3 Download your selected purchase(s) from the Singing Machine Digital Locker to your USB flash drive.
- 4 Insert the USB flash drive as shown on page E9 and enjoy!

### FAQ

- Where can I get additional help with the file formats?

Visit <http://singingmachine.com/smc-music/> to get additional resources about the right type of FILE FORMAT for your system.



# Troubleshooting Guide

Should this unit exhibit a problem, check the following before seeking service:

## No Power

- Power is not on; press the **ON/STANDBY** button to turn unit on.
- Confirm that the AC adapter is connected securely to the back of the unit.
- Connect the unit to a different outlet.

## No Sound – General

- **Master Volume** is set to minimum; raise volume.
- Correct Function was not selected; press the **MODE** button to change the function.
- If using an external device, raise the volume.


## No Sound – If connected to a TV

- Volume on the TV is muted or too low.
- Correct source (usually AV) was not selected on the TV's menu.

## No sound from the microphone

- Make sure the microphone is firmly connected to the MIC 1 or MIC 2 jack.
- Make sure the **ON/OFF** switch on the microphone is set to the ON position.
- Make sure the **MIC VOLUME** control is not set too low.
- **MASTER VOLUME** is set to minimum; raise volume.

## The Bluetooth device cannot be paired or connected with the unit

- You have not activated the Bluetooth function of your device; see page E12 or refer to the Bluetooth device user's manual.
- The system is not in pairing mode; press the  button to restart pairing.
- Ensure any other Bluetooth devices are turned off to avoid accidental pairing.

## The Music is not available on the unit after successfully connecting the Bluetooth

- Ensure your Bluetooth device can support the A2DP Bluetooth profile.
- The volume on the external Bluetooth device is set too low or muted; raise as desired.
- Make sure your music's application is open.

# Specifications

## AUDIO

OUTPUT POWER (MAXIMUM)..... 5 Watts (RMS)  
OUTPUT IMPEDANCE ..... 4 Ohms

## USB

Format..... FAT32  
Maximum Capacity..... 32GB

## BLUETOOTH

Bluetooth Version ..... V4.2+EDR  
Working Distance..... Up to 30 feet/10 meters measured in open space

**AUX IN SECTION** ..... 3.5 mm Stereo Headphone Jack

**MICROPHONE** ..... -74db 600 Ohm Impedance with 6.3 mm Dynamic Microphone

**POWER SECTION** .....

..... DC 9V  $\equiv$  1A  $\diamond\leftarrow\rightarrow\diamond$ , DC 9V (6 x "C" batteries) (Batteries not included)

**DIMENSIONS (HxWxD)** ..... 11.2 x 8.3 x 5.4 inches / 28.4 x 21 x 13.8 cm

**WEIGHT**..... 2.9 lbs/1.32 kgs

Specifications are subject to change without notice.

The Bluetooth® word mark and logos are registered trademarks owned by Bluetooth SIG, Inc. and any use of such marks and logos by The Singing Machine Company, Inc. is under license. Other trademarks and trade names are those of their respective owners.

# Advertencias

	<b>PRECAUCIÓN</b> RIESGO DE DESCARGA ELÉCTRICA. NO ABRIR	
<b>PRECAUCIÓN:</b> PARA REDUCIR EL RIESGO DE DESCARGAS ELÉCTRICAS, NO quite la cubierta (ni la tapa posterior) no hay piezas reparables por el usuario dentro. Derive las reparaciones a personal de servicio calificado. Las marcas de Precaución se ubican en el panel inferior.		



**TENSIÓN PELIGROSA:** La luz intermitente con símbolo de flecha dentro de un triángulo pretende alertar al usuario de la presencia de tensión peligrosa no aislada, dentro del paquete del producto, que puede ser de magnitud suficiente para constituir un riesgo de descarga eléctrica para las personas.



**ATENCIÓN:** El signo de exclamación dentro de un triángulo pretende alertar al usuario de la presencia de instrucciones importantes de operación y mantenimiento (reparaciones) en el material que acompaña a este producto.

**ADVERTENCIA DE GOTEOS:** Este producto no se podrá exponer a goteo o salpicaduras, y no se colocará ningún objeto lleno con líquidos, como jarrones, encima del producto.

**ADVERTENCIA DE VENTILACIÓN:** La ventilación normal del producto no se bloqueará si se le da el uso previsto.

**PRECAUCIÓN:** PARA EVITAR DESCARGAS ELÉCTRICAS, INSERTE COMPLETAMENTE UNA HOJA ANCHA DEL ENCHUFE A LA RANURA ANCHA.

**ADVERTENCIA:** PARA EVITAR INCENDIOS O PELIGROS DE DESCARGA, NO EXPONGA ESTA UNIDAD A LA LLUVIA O HUMEDAD.

CAN ICES-3(B)/NMB-3(B)

## Información importante sobre seguridad

1. Lea estas instrucciones.
2. Conserve estas instrucciones.
3. Preste atención a todas las advertencias.
4. Siga todas las instrucciones.
5. No utilice este artefacto cerca del agua.
6. Límpielo únicamente con un paño seco.
7. No obstruya las aberturas para ventilación. Instálelo de acuerdo con las instrucciones del fabricante.
8. No instale cerca de fuentes de calor, como radiadores, rejillas de calefacción, estufas u otros aparatos (incluso amplificadores) que produzcan calor.
9. No desafíe el fin de seguridad del enchufe polarizado o de conexión a tierra. Un enchufe polarizado tiene dos clavijas y una es más ancha que la otra. El enchufe de conexión a tierra tiene dos clavijas, y una tercera punta a tierra. La clavija ancha o la tercera punta se suministran para su seguridad. Si el enchufe suministrado no coincide con su tomacorriente, consulte con un electricista para reemplazar el tomacorriente obsoleto.
10. Evite pisar o apretar el cable de alimentación, especialmente en los enchufes, tomacorrientes y en el punto por donde salen del artefacto.
11. Utilice sólo los complementos y accesorios especificados por el fabricante.
12. Utilice la unidad sólo con el carro, soporte, trípode, repisa o mesa recomendados por el fabricante, o que se vendan junto con el

**AVISO DE LA FCC:** Este equipo puede generar o usar energía de radio frecuencia. Los cambios o modificaciones realizados en el aparato pueden provocar interferencia perjudicial, a menos que dichas modificaciones estén autorizadas en el manual de instrucciones. El usuario puede perder toda autorización para operar el equipo si realiza cambios o modificaciones sin autorización.

Este aparato cumple con la parte 15 de las Normas de la FCC. El funcionamiento está sujeto a las dos condiciones que figuran a continuación: (1) Es probable que no cause interferencia perjudicial y (2) deberá aceptar cualquier interferencia recibida, incluyendo la interferencia que pueda llegar a causar un funcionamiento indeseado.

**NOTA:** Este equipo fue probado y se concluyó que cumple con los límites establecidos para los dispositivos digitales Clase B, de acuerdo con el Apartado 15 de las normas de la FCC. Estos límites fueron pensados para proporcionar protección razonable ante la interferencia perjudicial en una instalación residencial. Este equipo genera, usa y puede emitir energía de radio frecuencia y, si no se lo instala y utiliza de conformidad con las instrucciones, puede causar interferencia perjudicial a las comunicaciones radiales. No obstante, no existe ninguna garantía de que no se produzca interferencia en una instalación en particular. Si este equipo provoca interferencia perjudicial a la recepción de radio o televisión, lo cual puede determinarse apagando y encendiendo el equipo, el usuario puede intentar corregir la interferencia de alguna/s de las siguientes maneras:

- Reoriente la antena receptora o ubíquela en otro lugar.
- Aumente la distancia entre el equipo y el receptor.
- Conecte el equipo a un tomacorriente de un circuito distinto al que está conectado el receptor.
- Consulte al distribuidor o a un técnico experimentado de radio y televisión para que lo asesore.

La información de clasificación está ubicada en la parte inferior de la unidad.

producto. Cuando se utiliza un carro, tenga cuidado cuando mueva el carro y artefacto junto a para evitar lesiones producidas por la caída del producto.

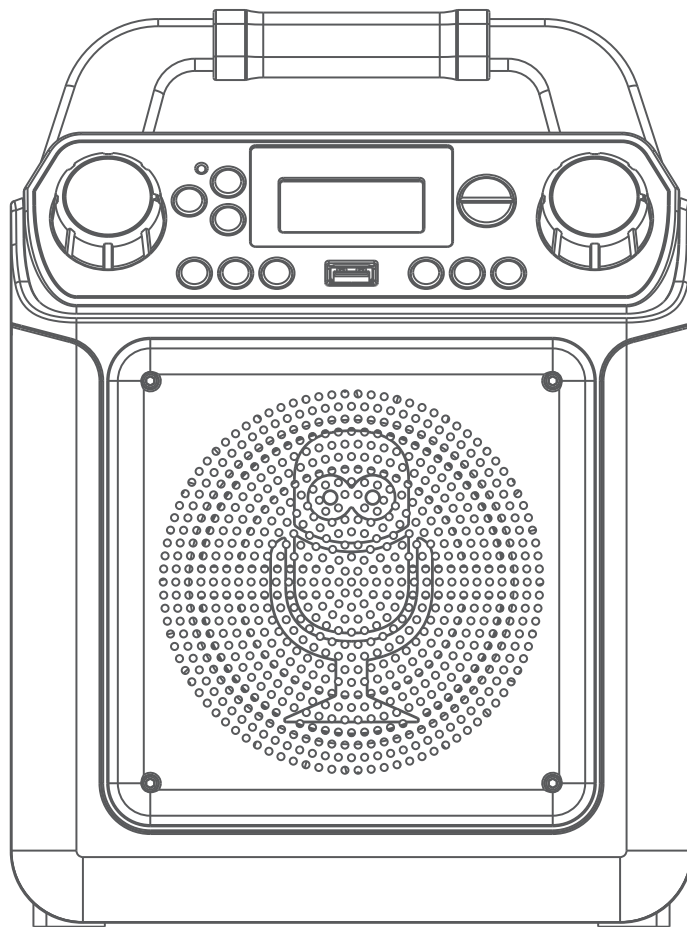
ADVERTENCIA SOBRE EL CARRO PORTÁTIL (símbolo provisto por RETAC)



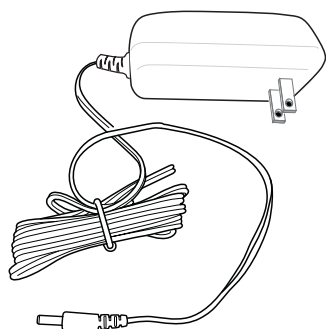
13. Desenchufe este artefacto durante las tormentas eléctricas o cuando no se lo utilice durante períodos prolongados.
14. Derive todas las reparaciones al personal de reparaciones calificado. Es necesario reparar el artefacto cuando se encuentra dañado; por ejemplo, cuando el cable de suministro de energía o el enchufe están dañados, cuando se derrama líquido sobre la unidad o caen objetos dentro del mismo, cuando el producto ha estado expuesto a la lluvia o a la humedad, cuando no funciona con normalidad o cuando se ha caído.
15. **ADVERTENCIA:** Para reducir el riesgo de incendio o descarga eléctrica, no exponga este artefacto a la lluvia o la humedad. No coloque objetos llenos de agua, como jarrones, sobre el aparato.
16. El enchufe de conexión de CA se utiliza como dispositivo de desconexión eléctrica y deberá estar siempre accesible y en funcionamiento durante el uso previsto. Para desconectar completamente el aparato de la electricidad, el enchufe de conexión deberá quitarse por completo del tomacorriente de CA.
17. **PRECAUCIÓN:** Para reducir el riesgo de incendio o explosión no exponga las baterías al calor excesivo, como al rayo del sol, fuego u otras fuentes de calor.

# Se incluyen

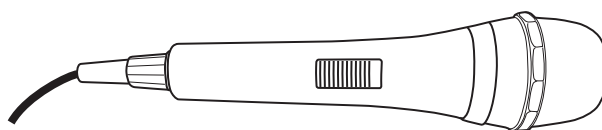
Contenido de la caja.



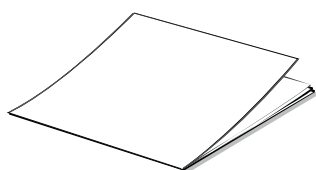
Unidad principal



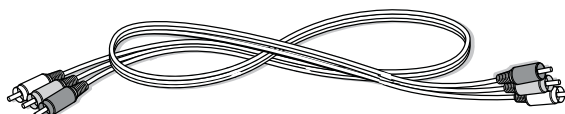
Adaptador de CA



Micrófono con cable

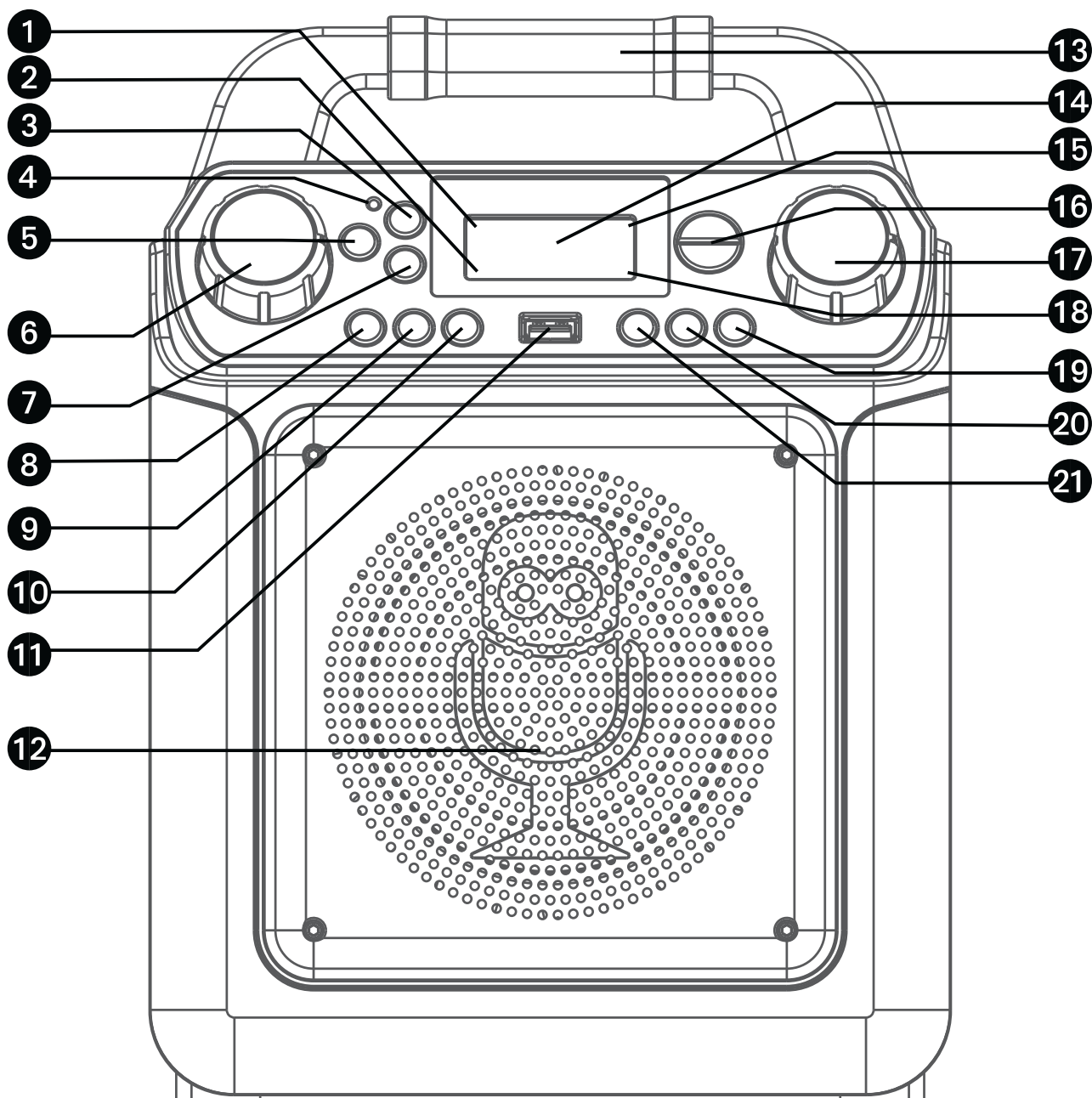


Manual



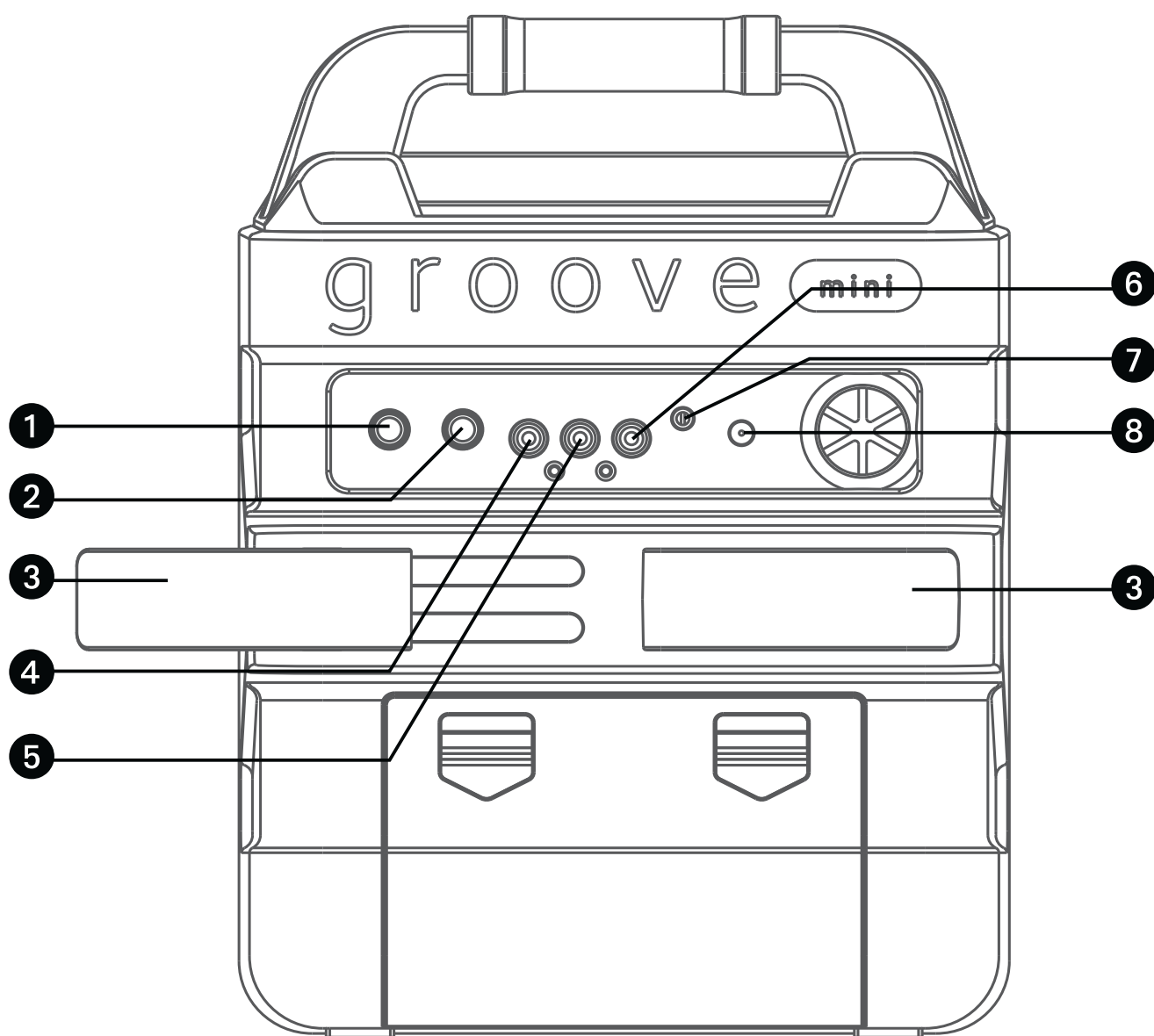
Cables de Audio/Video

# Ubicación de controles (Superior/delantero)



1. Indicador de MP3+G
2. Indicador de repetición (Repeat)
3. Botón Bluetooth
4. Indicador de Bluetooth
5. Botón de ENCENDIDO/ESPERA (ON/STANDBY)
6. Control de VOLUMEN DEL MICRÓFONO (MIC VOLUME)
7. Botón MODO (MODE)
8. Botón REPRODUCIR/PAUSAR (PLAY/PAUSE)
9. Botón para saltar (Skip)
10. Botón para saltar (Skip)
11. Puerto USB
12. Altavoz
13. Manija
14. Pantalla
15. Indicador de Reproducir/Pausar (Play/Pause)
16. Botón AUMENTAR/DISMINUIR EFECTOS DE VOZ (VOICE EFFECTS UP/DOWN)
17. Control de VOLUMEN PRINCIPAL (MASTER VOLUME)
18. Indicador de PROGRAMA (PROGRAM)
19. Botón LUZ (LIGHT)
20. Botón de PROGRAMAR/REPETIR (PROG/REPEAT)
21. Botón +10

# Ubicación de los controles (Reverso)

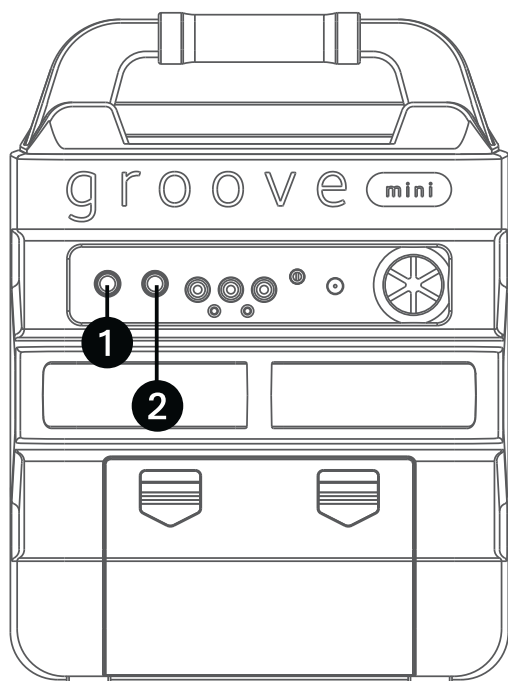


1. Entrada para MICRÓFONO 1 (MIC 1)
2. Entrada para MICRÓFONO 2 (MIC 2)
3. Porta micrófonos extensibles
4. SALIDA DE VIDEO

5. SALIDA AUXILIAR (AUX OUT) derecha (R)
6. SALIDA AUXILIAR (AUX OUT) izquierda (L)
7. Conector de entrada de Aux
8. Conector de CC

# Conexión

## Conexión de la Microphono(s)

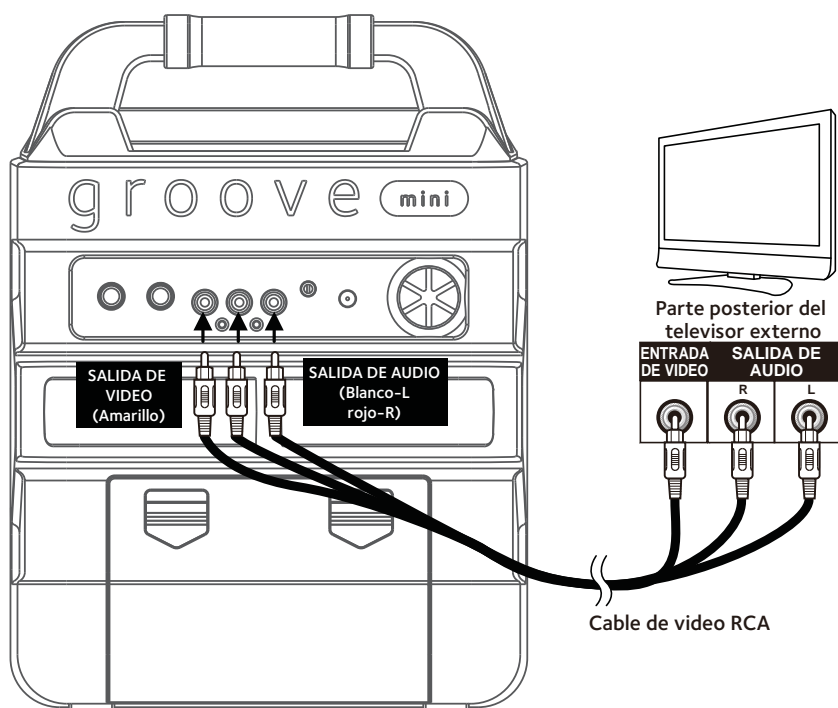


### Micrófonos:

Inserte el enchufe de un micrófono en la entrada para micrófono 1 **1** y el otro enchufe de micrófono en la entrada para micrófono 2 **2** (si lo desea).

**Nota:** No arroje o dé golpecitos al micrófono, puede dañar el micrófono o los parlantes. No gire el micrófono por el cable porque causará daños en el cableado revestido.

## Conexión de la unidad a un televisor



Para que se reproduzca el video, las letras y el audio en su televisor, siga los siguientes pasos:

Conecte el cable de video RCA (amarillo) a la SALIDA DE VIDEO (VIDEO OUT) y los cables de audio (blanco y rojo) a las SALIDAS DE AUDIO (AUDIO OUT) ubicadas en la parte trasera de la Singing Machine.

Conecte el otro extremo del cable de video RCA (amarillo) a la ENTRADA DE VIDEO (VIDEO IN) y los cables de audio (blanco y rojo) a la ENTRADA DE AUDIO (AUDIO IN) de su televisor.

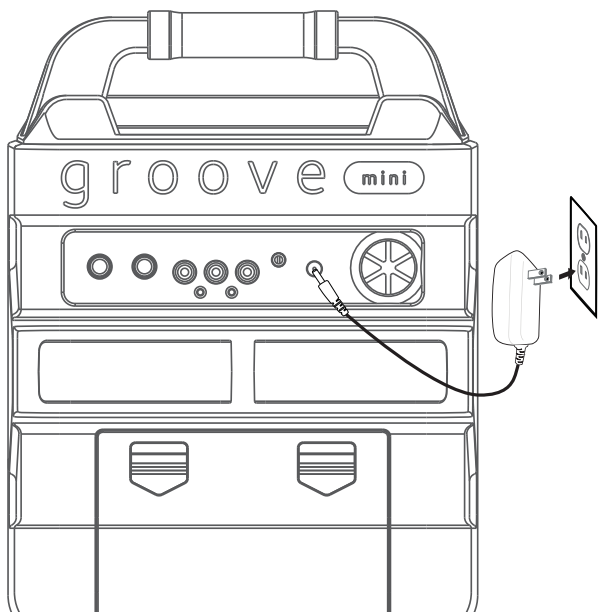
### Notas:

- Esta unidad puede utilizarse con o sin televisor, pero es altamente recomendable usar uno para aprovechar todas las funciones.
- También consulte la Guía de usuario del televisor para las instrucciones de entrada y pantalla.
- Para ver las letras de canciones en la pantalla, debe reproducir los archivos de MP3+G a través del puerto USB.



# Conexión

## Conexión a alimentación de corriente alterna

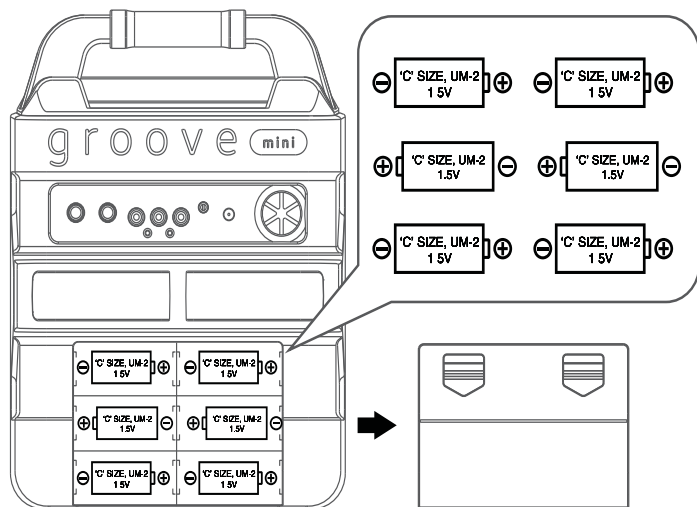


Introduzca el cable de alimentación de CA en un tomacorriente de CA de ubicación conveniente con 120V de CA, 60 Hz.

### Nota:

Haga todas las conexiones antes de enchufar a la alimentación de CA.

## Cómo colocar las pilas



1 Deslice la tapa de la pila en la dirección de las flechas para exponer el compartimento para pilas. Coloque Seis (6) pilas alcalinas tamaño "C" (no incluidas) como lo indica el diagrama.

2 Coloque la tapa.

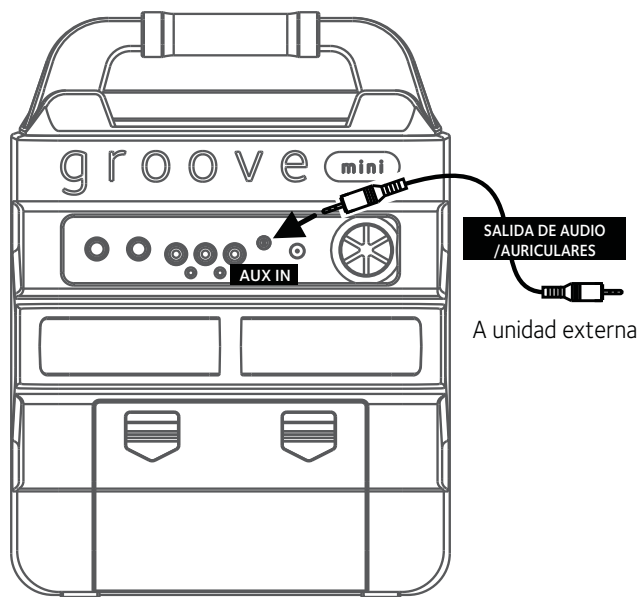
### Precauciones sobre las pilas

Se seguirán las precauciones a continuación cuando se utilicen pilas en este dispositivo:

1. Utilice sólo el tamaño y tipo de pilas especificadas.
2. Asegúrese de respetar la polaridad correcta cuando instale las pilas, según lo indicado en el compartimento de las pilas. Las pilas al revés pueden provocar daños al dispositivo.
3. No mezcle diferentes tipos de pilas (por ejemplo alcalinas y de zinc-carbono) o pilas viejas con pilas nuevas.
4. Si no va a usarse el dispositivo durante un período prolongado, asegúrese de quitar las pilas para prevenir daños o lesiones a causa de posibles pérdidas de las pilas.
5. No intente recargar pilas que no fueron diseñadas para ese fin; pueden recalentarse y romperse (Siga las indicaciones del fabricante de la pila).
6. Las pilas recargables se deben quitar del producto antes de la carga.
7. Las pilas recargables solo se pueden cargar bajo supervisión de un adulto.
8. Las pilas sin carga se deben quitar del producto.
9. La pila no deberá exponerse a calor excesivo como luz solar, fuego o fuentes similares.

# Conexión

## Conexión a entrada de AUX

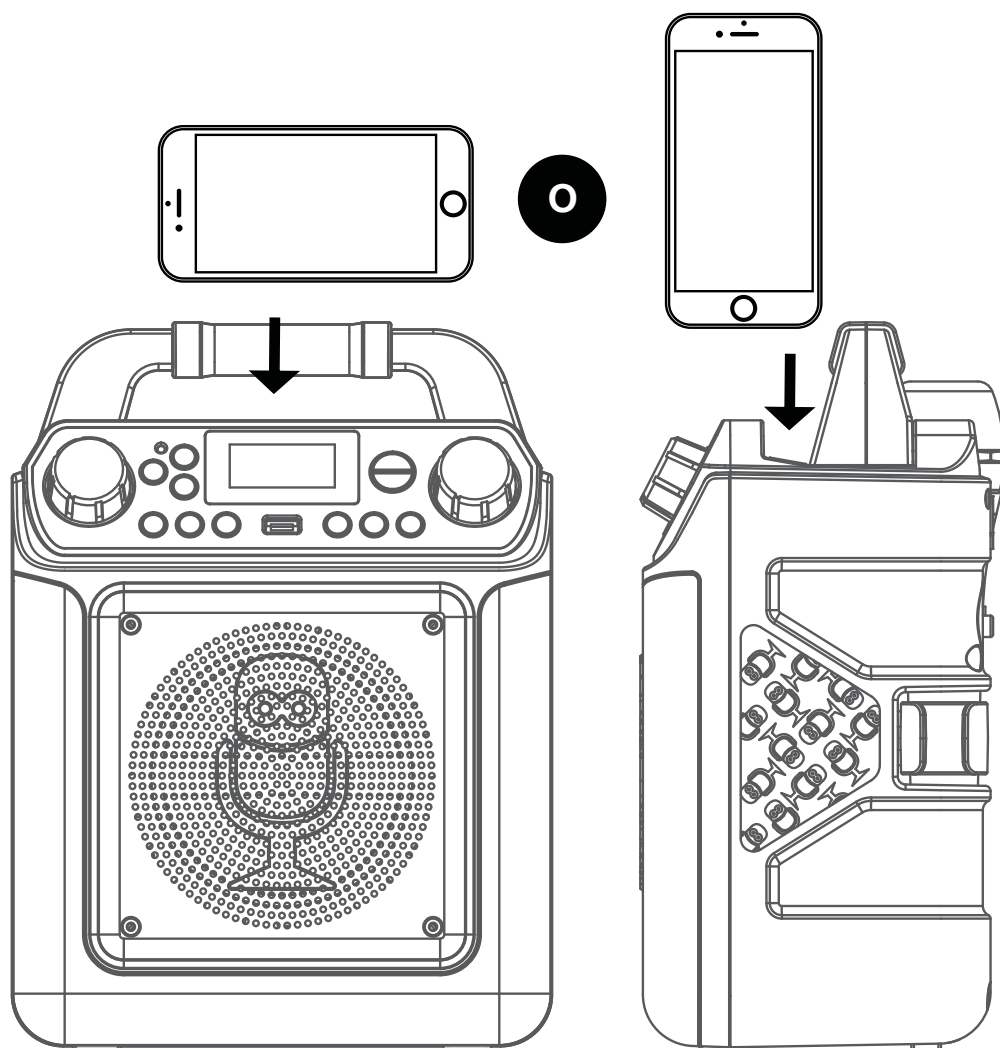


Conecte su dispositivo externo utilizando un cable adecuado (no se incluye el cable de audio de 3,5mm) como se muestra.

### Nota:

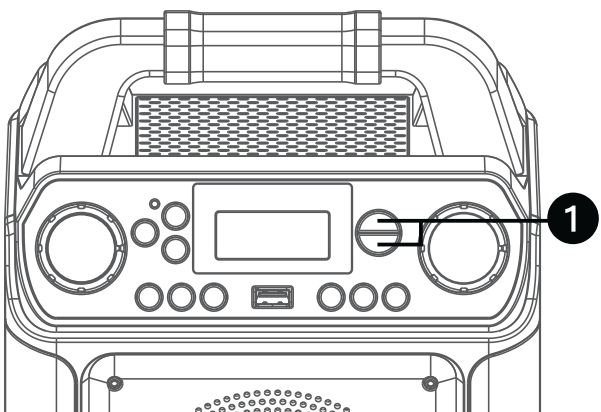
Consulte la página S14 para seleccionar y utilizar la función de entrada de Aux.

## Soporte



# Funcionamiento

## Efecto de sonido



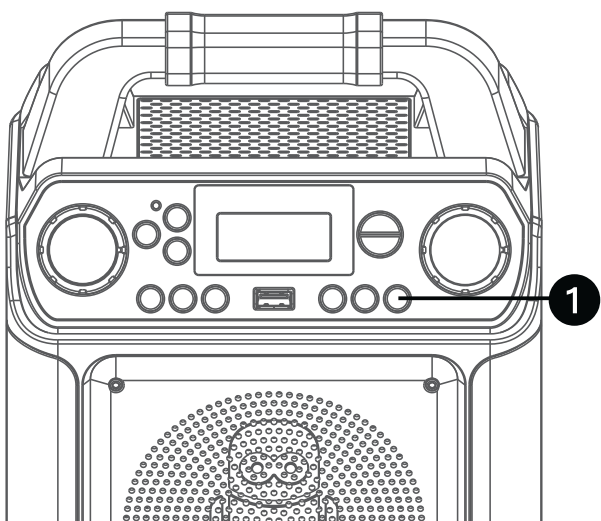
Oprima repetidamente los botones de **EFFECTOS DE VOZ** para seleccionar diferentes efectos vocales.

La pantalla mostrará lo siguiente:

- EF0 - NINGUNO,
- EF1 - ECO,
- EF2 - FEMENINA,
- EF3 - MASCULINA,
- EF4 - ARDILLA,
- EF5 - ROBOT, o
- EF6 - RADIO.

---

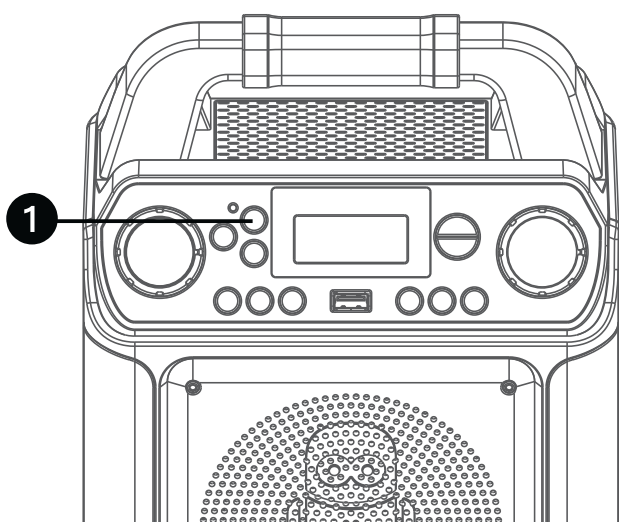
## Luces del altavoz



Oprima el botón **LUZ (LIGHT)** para encender el efecto de luz, oprímalo nuevamente para apagarlo

---

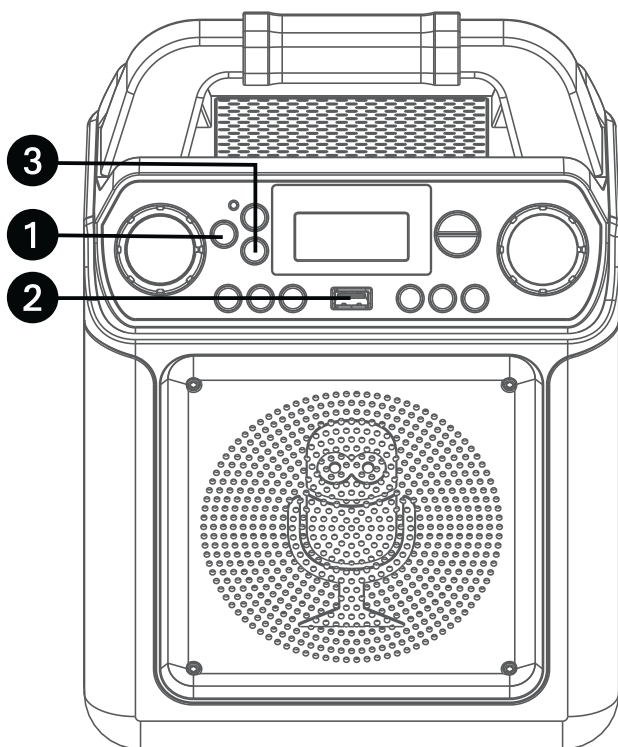
## Modo Bluetooth




Oprima el botón **Bluetooth**  para configurar fácilmente la máquina en modo de emparejamiento.

# Funcionamiento

## Reproducir canciones desde el USB



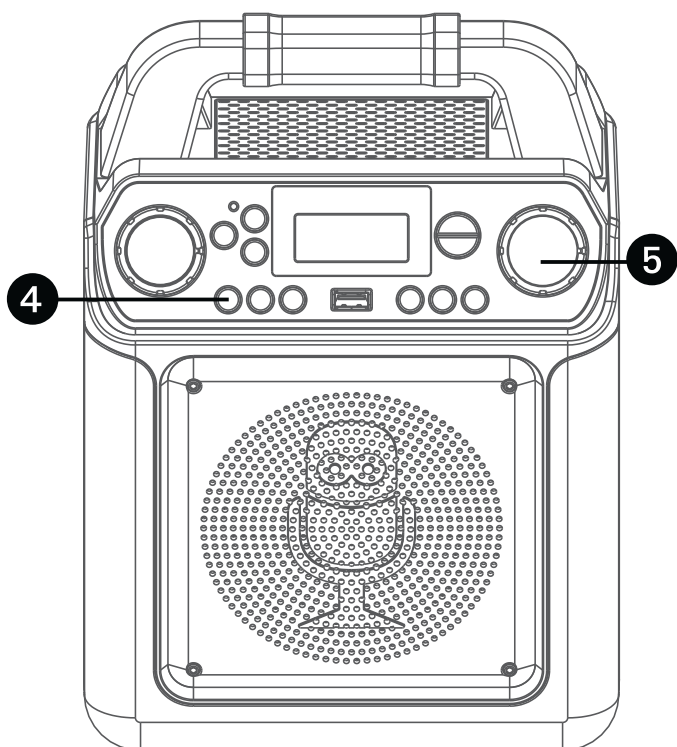
**1** Conecte la unidad como se describió antes; si utiliza CD+G, se recomienda que conecte un. Oprima el botón de **ENCENDIDO/APAGADO (ON/OFF)**  para encender la unidad.

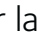
**2** Introduzca un dispositivo flash USB con archivos MP3+G o MP3 en el puerto USB en la unidad, mirando hacia arriba. Tenemos una amplia selección de música de karaoke disponible para descargar a través de nuestra Tienda de Karaoke.

**3** Presione varias veces el botón **MODO** para seleccionar el modo USB; aparecerá "USB" cuando busque el dispositivo y después aparecerá la cantidad total de archivos.

### Notas:

- No se puede acceder al modo USB hasta que no se introduce un dispositivo flash.
- No se puede acceder al modo USB hasta que no se introduce un dispositivo flash.



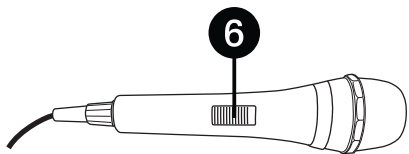
**4** Presione el botón **REPRODUCIR/PAUSAR**  para comenzar la reproducción. Si está escuchando un archivo MP3+G, la imagen y la letra aparecerán en la pantalla del televisor (si está conectado). El indicador de MP3+G quedará encendido.

**5** Ajuste el volumen a un nivel conveniente, usando el control de **VOLUMEN PRINCIPAL**.

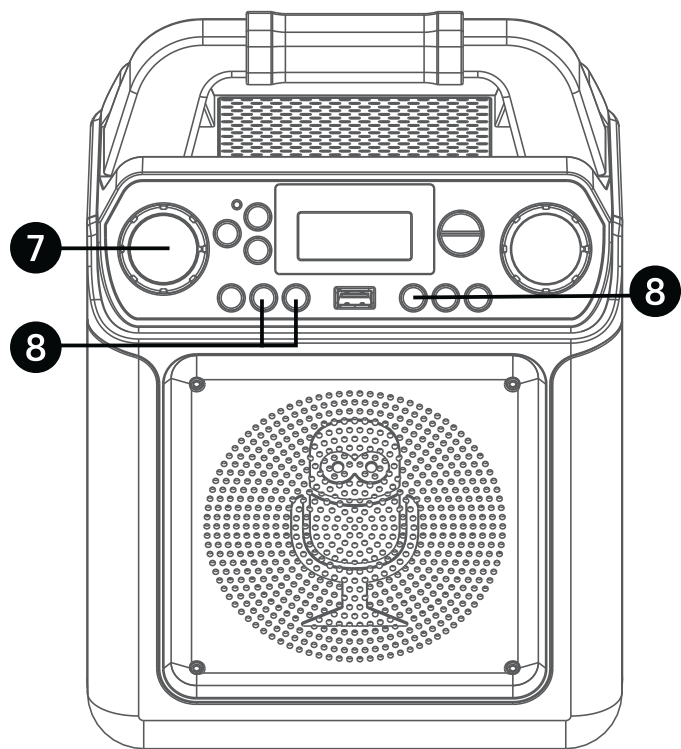
**Nota:** Si se conecta a un televisor u otra fuente de audio, ajuste el volumen del televisor con su propio control de volumen.

# Funcionamiento

## Reproducir canciones desde el USB (Continuación)

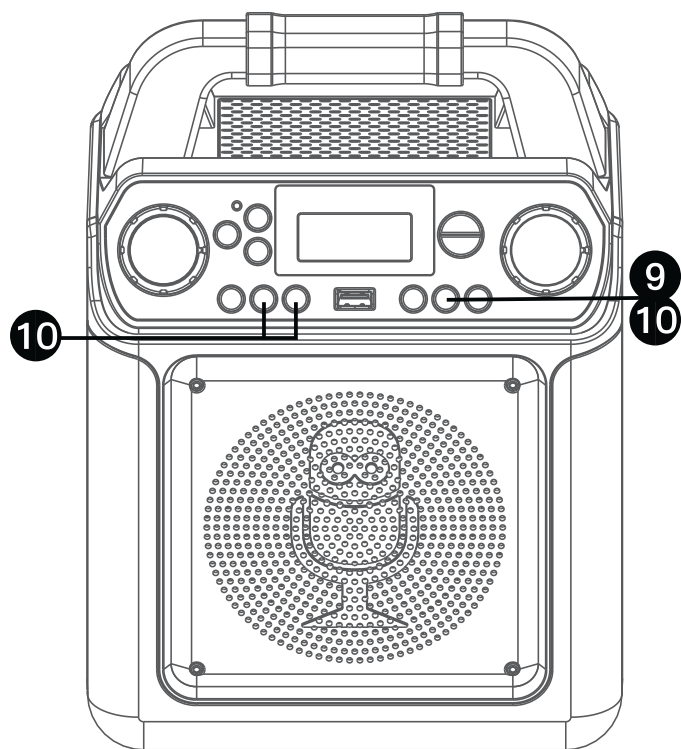


**6** Conecte el/los micrófono y ubique el interruptor de **ENCENDIDO/APAGADO (ON/OFF)** del Control remoto/Micrófono en la posición de ENCENDIDO (ON).



**7** Ajuste el control de **VOLUMEN DEL MICRÓFONO (MIC VOLUME)** hasta el nivel deseado. Al aumentar el nivel de este control se incrementará el volumen de los dos micrófonos.

**8** Avance o retroceda una pista oprimiendo los **botones de Salto** **◀◀** o **▶▶**. También puede saltar 10 archivos/pistas hacia adelante con el botón **SALTO +10**.



**9** **FUNCIÓN REPETIR:** Durante la reproducción, presione **Programar / Repetir (Program/Repeat)** una vez para que se reproduzca varias veces la canción seleccionada; el indicador Repetir parpadeará. Presione el botón **Programar / Repetir** una segunda vez para que se reproduzca varias veces la carpeta seleccionada; el indicador Repetir lentamente. Presione el botón por tercera vez para que se reproduzca varias veces el USB; el indicador Repetir quedará encendido y fijo. Presiónelo nuevamente para cancelar la función Repetir (Repeat), el indicador se apagará.

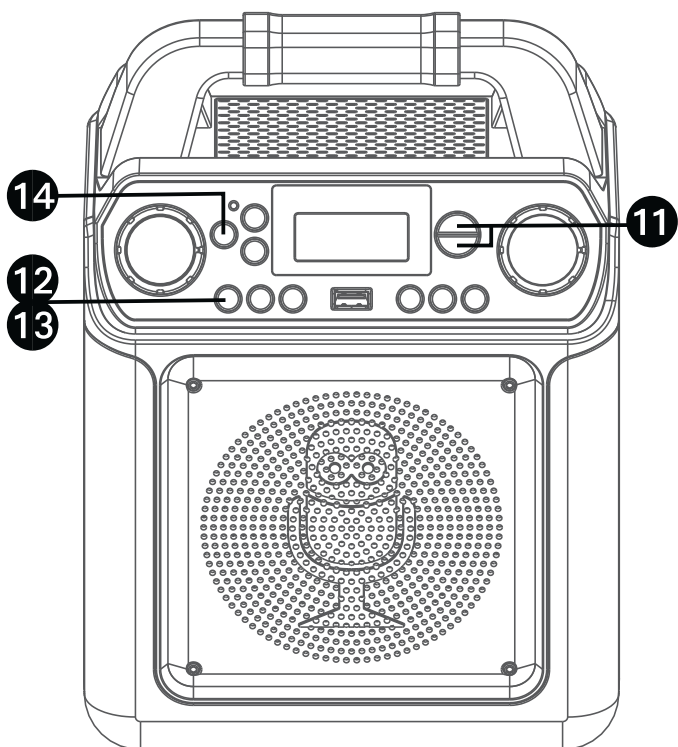
**10** **PROGRAMAR:** Puede programar hasta 20 pistas para reproducir en cualquier orden deseado. Mientras se encuentre en el modo Detener, presione **Programar / Repetir**; el indicador Programar parpadeará y aparecerá "01" en la pantalla, para indicar que el primer programa está listo para programar. Seleccione la primera pista mediante los botones de **Salto** **◀◀** o **▶▶** Presione **Programar / Repetir** nuevamente para confirmar la entrada. Repita hasta agregar un máximo de 20 pistas a la memoria. Al finalizar, presione el botón **Reproducir/Pausar** para comenzar la reproducción.

# Funcionamiento

## Reproducir canciones desde el USB (Continuación)

### Notas:

- Oprima y mantenga presionado el botón **PROGRAMAR/REPETIR (PROG/REPEAT)** para detener y eliminar el programa.
- Si se intenta programar más de 20 pistas, aparecerá "FUL" en la pantalla.



**11 EFECTO DE SONIDO:** Repetidamente oprima los botones **EFECTOS DE VOZ (VOICE EFFECTS)**  $\wedge$  o  $\vee$  para seleccionar entre los efectos vocales ECO, FEMENINO, MASCULINO, ARDILLA, ROBOT o RADIO. Seleccione NINGUNO (NONE) para cantar sin efectos de voz.

**12 PAUSAR (PAUSE):** Durante la reproducción, si desea pausar momentáneamente el disco, oprima **Reproducir/Pausar**; el indicador REPRODUCIR/PAUSAR (PLAY/PAUSE) parpadeará. Oprima nuevamente para reanudar la reproducción normal.

**13** Presione y mantenga presionado el botón **REPRODUCIR/PAUSAR (PLAY/PAUSE)**  $\blacktriangleright$  para detener la reproducción.

**14** Oprima **ENCENDIDO/APAGADO (ON/OFF)**  $\text{⏻}$  para apagar la unidad.