

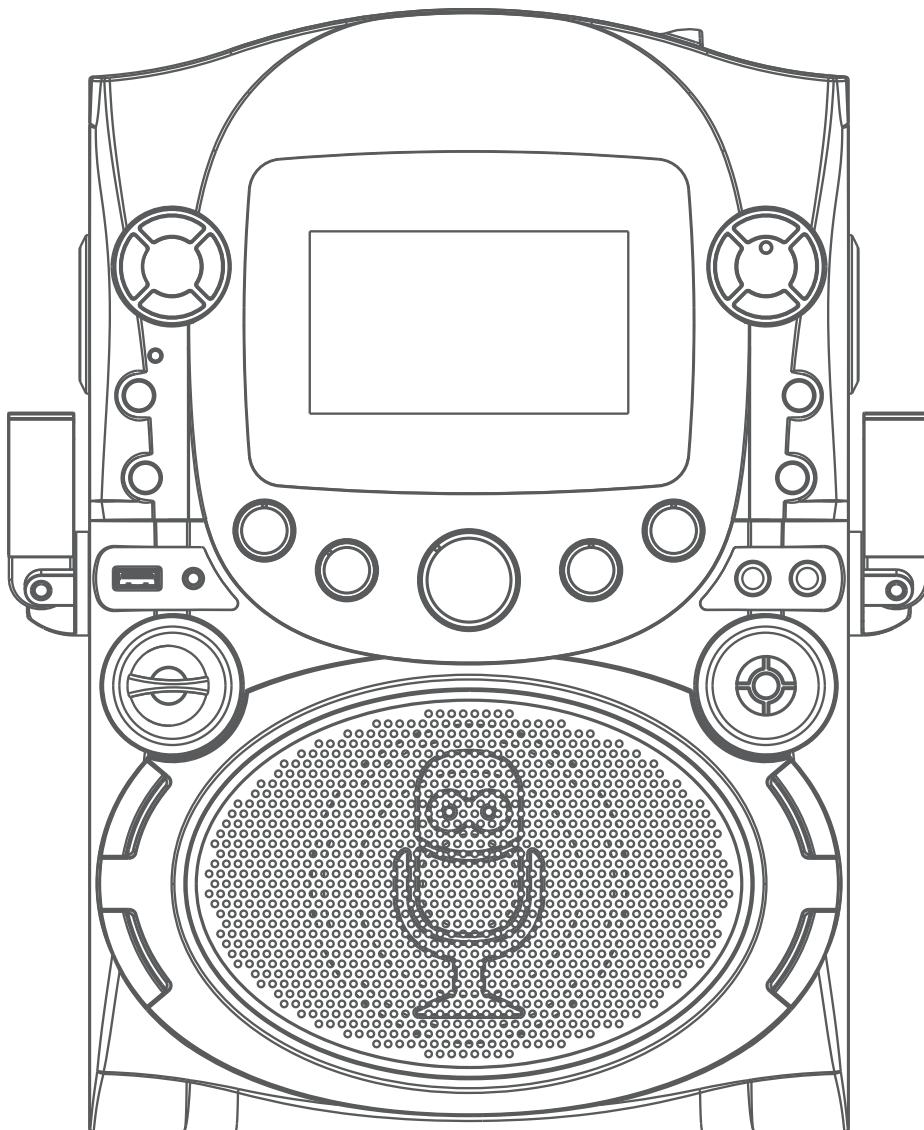


singing machine[®]

creating Joy through music[™]

STVG592BK / STVG592W



INSTRUCTION MANUAL





www.singingsmachine.com

The Singing Machine[®] is a registered trademark of The Singing Machine Co., Inc.

Warnings

	CAUTION RISK OF ELECTRIC SHOCK DO NOT OPEN	
CAUTION: TO REDUCE THE RISK OF ELECTRIC SHOCK, DO NOT REMOVE COVER (OR BACK). NO USER-SERVICEABLE PARTS INSIDE. REFER SERVICING TO QUALIFIED SERVICE PERSONNEL. The Caution marking is located on the bottom panel.		

 **DANGEROUS VOLTAGE:** The lightning flash with arrowhead symbol within an equilateral triangle is intended to alert the user to the presence of uninsulated dangerous voltage within the product's enclosure that may be of sufficient magnitude to constitute a risk of electric shock to persons.

 **ATTENTION:** The exclamation point within an equilateral triangle is intended to alert the user to the presence of important operating and maintenance (servicing) instructions in the literature accompanying this product.

DRIPPING WARNING: This product shall not be exposed to dripping or splashing, and no objects filled with liquids, such as vases, shall be placed on the product.

VENTILATION WARNING: The normal ventilation of the product shall not be impeded for intended use.

CAUTION: TO PREVENT ELECTRIC SHOCK, MATCH WIDE BLADE OF PLUG TO WIDE SLOT AND FULLY INSERT. THIS PRODUCT COMPLIES WITH DHHS RULES 21 CFR CHAPTER 1, SUBCHAPTER J APPLICABLE AT DATE OF MANUFACTURED.
--

Warnings:

- This CD player employs a laser light beam. Only a qualified service person should remove the cover or attempt to service this device, due to possible eye injury.
- The use of controls, adjustments, or procedures other than those specified herein might result in hazardous radiation exposure.
- The apparatus shall be used in an open area.

CAUTION!

Invisible laser radiation when open and interlocks defeated. Avoid exposure to beam.

Changes or modifications not expressly approved by the party responsible for compliance could void the user's authority to operate the equipment.

WARNING: TO PREVENT FIRE OR SHOCK HAZARD, DO NOT EXPOSE THIS UNIT TO RAIN OR MOISTURE.

FCC WARNING: This equipment may generate or use radio frequency energy. Changes or modifications to this equipment may cause harmful interference unless the modifications are expressly approved in the instruction manual. The user could lose the authority to operate this equipment if an unauthorized change or modification is made.

This device complies with part 15 of the FCC Rules. Operation is subject to the following two conditions: (1) This device may not cause harmful interference, and (2) this device must accept any interference received, including interference that may cause undesired operation.

NOTE: This equipment has been tested and found to comply with the limits for a Class B digital device, pursuant to part 15 of the FCC Rules. These limits are designed to provide reasonable protection against harmful interference in a residential installation. This equipment generates, uses and can radiate radio frequency energy and, if not installed and used in accordance with the instructions, may cause harmful interference to radio communications. However, there is no guarantee that interference will not occur in a particular installation. If this equipment does cause harmful interference to radio or television reception, which can be determined by turning the equipment off and on, the user is encouraged to try to correct the interference by one or more of the following measures:

- Reorient or relocate the receiving antenna.
- Increase the separation between the equipment and receiver.
- Connect the equipment into an outlet on a circuit different from that to which the receiver is connected.
- Consult the dealer or an experienced radio/TV technician for help.

The rating information is located at the rear of the unit.

INDUSTRY CANADA NOTICE:

This device complies with Industry Canada licence-exempt RSS standard(s). Operation is subject to the following two conditions: (1) This device may not cause interference, and (2) This device must accept any interference, including interference that may cause undesired operation of the device. This equipment should be installed and operated with a minimum distance of 20 cm between the radiator and your body.

Le présent appareil est conforme aux CNR d'Industrie Canada applicables aux appareils radio exempts de licence. L'exploitation est autorisée aux deux conditions suivantes:

- (1) l'appareil ne doit pas produire de brouillage, et
 - (2) l'utilisateur de l'appareil doit accepter tout brouillage radioélectrique subi, même si le brouillage est susceptible d'en compromettre le fonctionnement.
- Cet équipement doit être installé et utilisé à une distance minimale de 20 cm entre le radiateur et votre corps.

CAN ICES-3(B)/NMB-3(B)

Important Safety Information

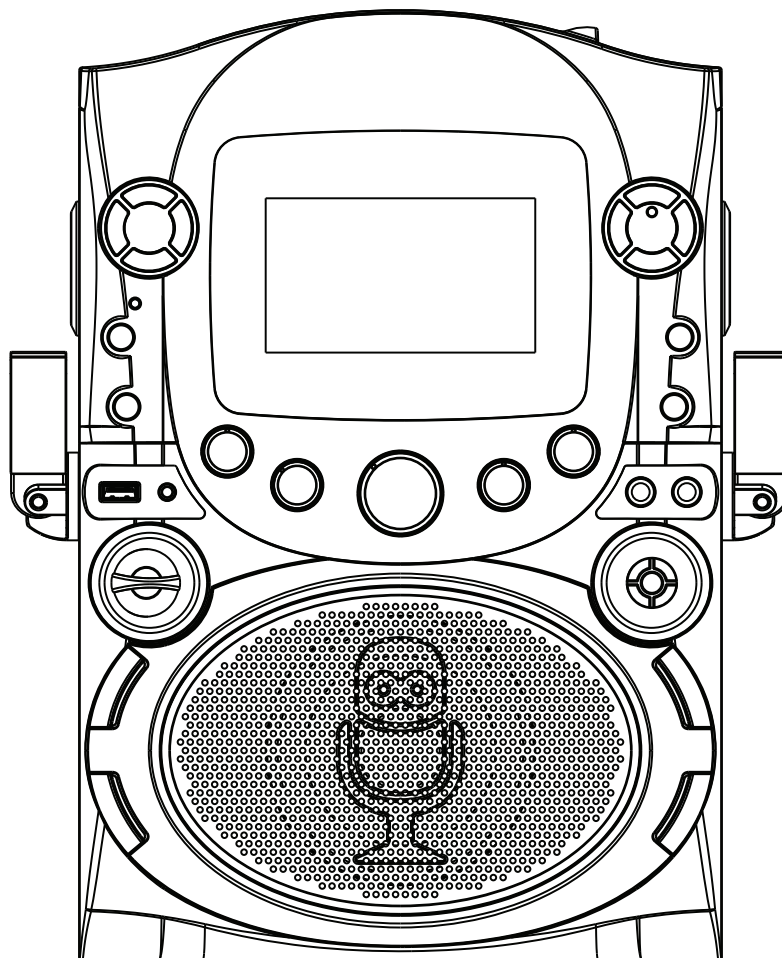
1. Read these Instructions.
2. Keep these Instructions.
3. Heed all Warnings.
4. Follow all Instructions.
5. Do not use this apparatus near water.
6. Clean only with a dry cloth.
7. Do not block any of the ventilation openings. Install in accordance with the Manufacturer's instructions.
8. Do not install near any heat sources such as radiators, heat registers, stoves, or other apparatus (including amplifiers) that produce heat.
9. Do not defeat the safety purpose of the polarized or grounding-type plug. A polarized plug has two blades with one wider than the other. A grounding type plug has two blades and a third grounding prong. The wide blade or the third prong are provided for your safety. When the provided plug does not fit into your outlet, consult an electrician for replacement of the obsolete outlet.
10. Protect the power cord from being walked on or pinched particularly at plugs, convenience receptacles, and the point where they exit from the apparatus.
11. Only use attachments/accessories specified by the manufacturer.
12. Use only with a cart, stand, tripod, bracket, or table specified by the manufacturer, or sold with the apparatus. When a cart is used, use caution when moving the cart/apparatus combination to avoid injury from tip-over.
13. Unplug this apparatus during lightning storms or when unused for long periods of time.
14. Refer all servicing to qualified service personnel. Servicing is required when the apparatus has been damaged in any way, such as power-supply cord or plug is damaged, liquid has been spilled or objects have fallen into the apparatus, the apparatus has been exposed to rain or moisture, does not operate normally, or has been dropped.
15. **WARNING:** To reduce the risk of fire or electric shock, do not expose this apparatus to rain or moisture. Do not place objects filled with water, such as a vase, on the apparatus.
16. The AC mains plug is used as the power disconnect device and it should remain readily accessible and operable during intended use. In order to completely disconnect the apparatus from power, the mains plug should be completely removed from the AC outlet socket.
17. **CAUTION:** To reduce the risk of fire or explosion, do not expose batteries to excessive heat such as sunshine, fire or other heat sources.

PORTABLE CART WARNING
(symbol provided by RETAC)

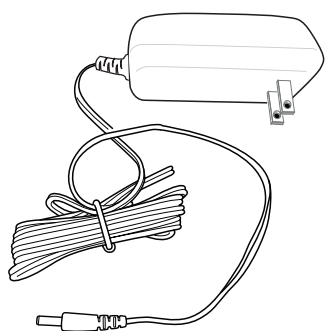


Included

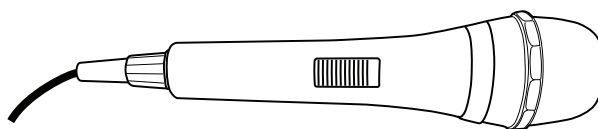
Please make sure the following items are included.



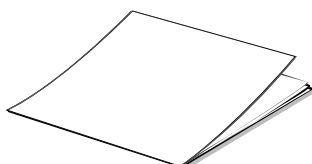
Main Unit



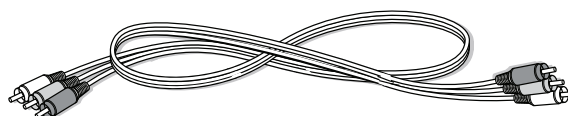
AC Adapter



Wired Microphone

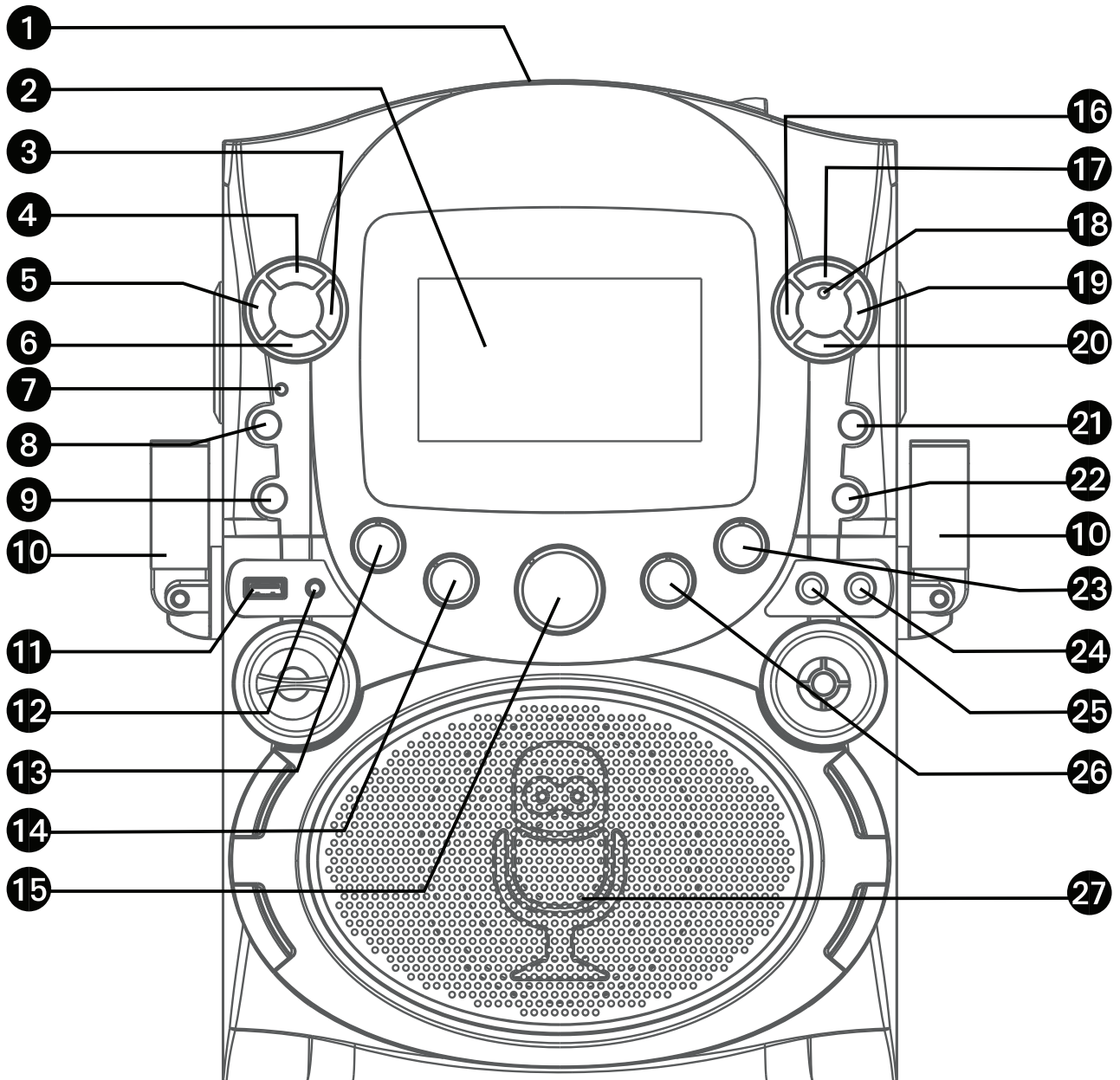


Manual



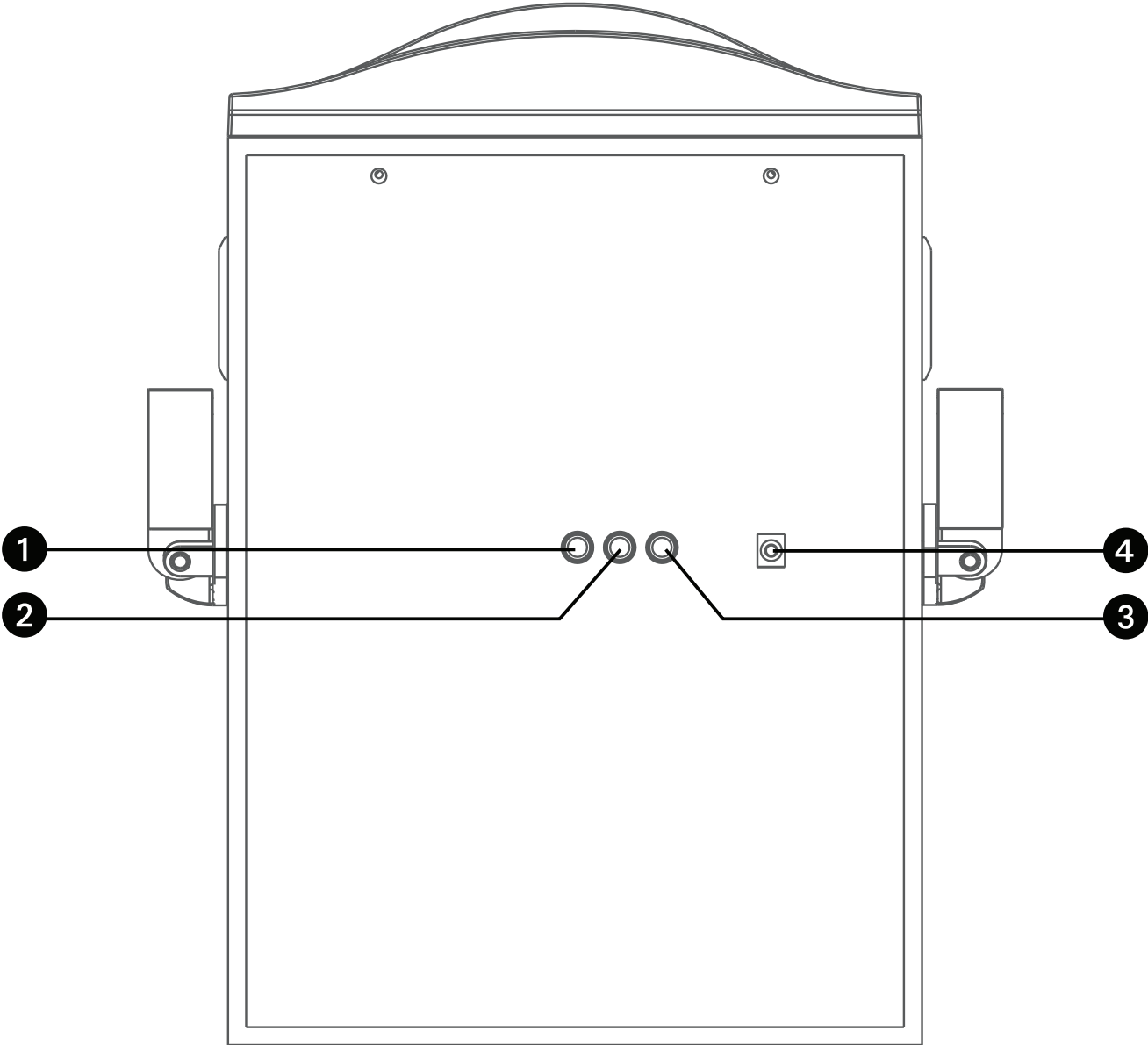
Audio/Video Cables

Location of Controls (Top/Front)



- | | | |
|--|---------------------------------|---------------------------|
| 1. CD Compartment | 10. Mic Holders | 20. REPEAT/PROGRAM Button |
| 2. Screen | 11. USB Slot | 21. Record Button |
| 3. Navigation RIGHT ▶ / Skip ▶▶ Button | 12. Line in Jack | 22. LIGHT Button |
| 4. Navigation UP ▲ Button | 13. MIC VOLUME Control | 23. ECHO Control |
| 5. Navigation LEFT ◀ / Skip ◀◀ Button | 14. A.V.C. (Auto Voice Control) | 24. Mic 2 Jack |
| 6. Navigation DOWN ▼ Button | 15. MASTER VOLUME Control | 25. Mic 1 Jack |
| 7. Power Indicator | 16. CDG/USB/BT Button | 26. BALANCE Control |
| 8. Power ON/OFF Button | 17. STOP ■ /PAIRING Button | 27. Speaker |
| 9. Monitor ON/OFF Button | 18. Bluetooth Indicator | |
| | 19. Play/Pause ▶ Button | |

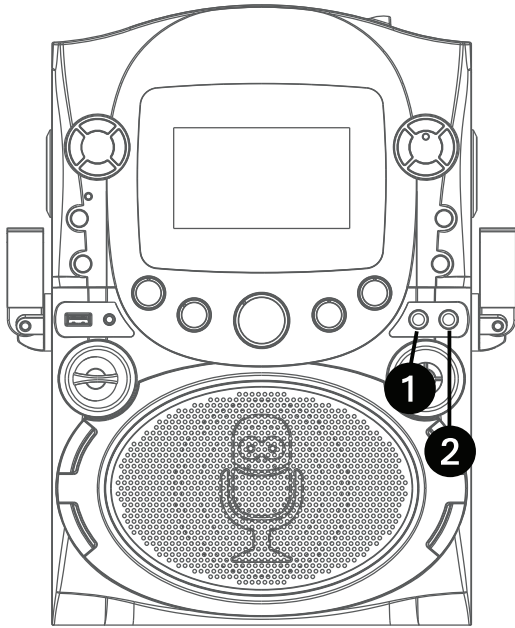
Location of Controls (Rear)



- 1. VIDEO OUT Jack
- 2. AUDIO OUT Jack (R)
- 3. AUDIO OUT Jack (L)
- 4. DC IN Jack

Connection

Connecting the Microphone(s)

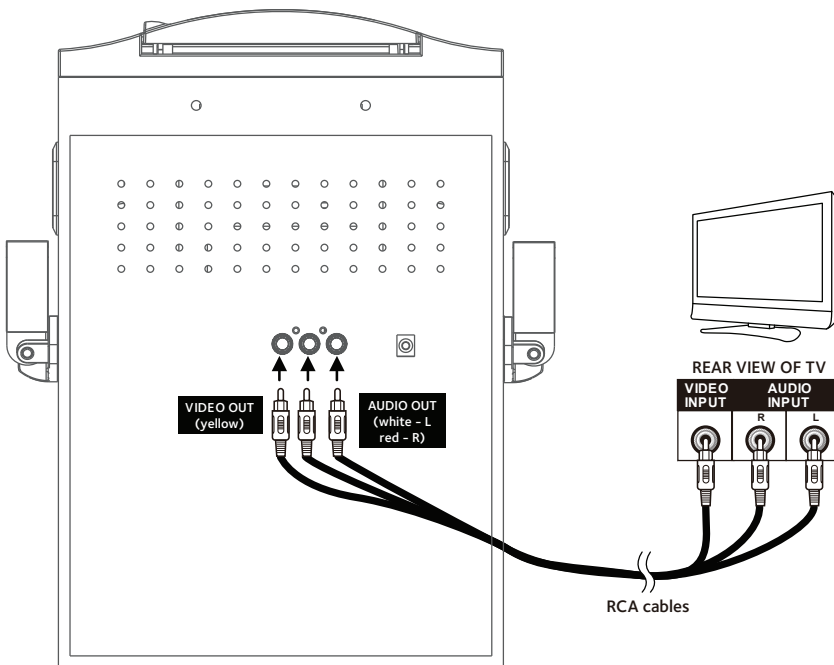


Microphones:

Connect a microphone into Mic jack 1 **1** as well as Mic jack 2 **2** (when desired).

Note: Do not drop or tap the Mic as damage to the Mic or speakers may occur. Do not twirl the microphone cord as it will cause damage to the encased wiring.

Connecting the Unit to a TV



To output the video, lyrics and audio to your TV, perform the following steps:

Connect the RCA video cable (Yellow) to the VIDEO OUT jack and the audio cables (White and Red) to the AUDIO OUT jacks located on the back of the Singing Machine.

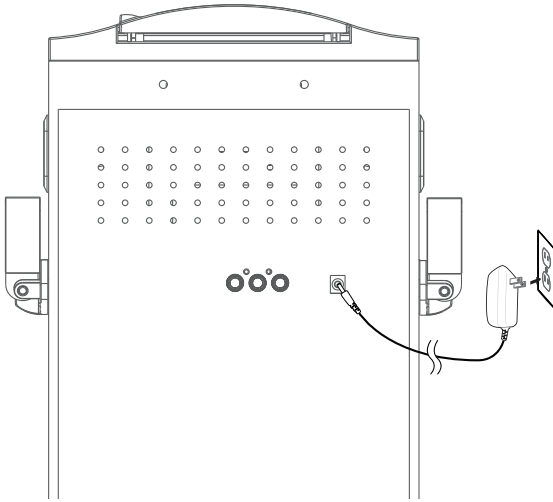
Connect the opposite end of the RCA video cable (Yellow) to the VIDEO IN jack and the audio cables (White and Red) to the AUDIO IN on your TV.

Notes:

- This unit can be used with or without a TV.
- Also refer to the TV's User Guide.
- To see the lyrics on the screen, you must use a CD+G or MP3+G files.
- Audio/Video cables are included.

Connection

Connecting to AC Power

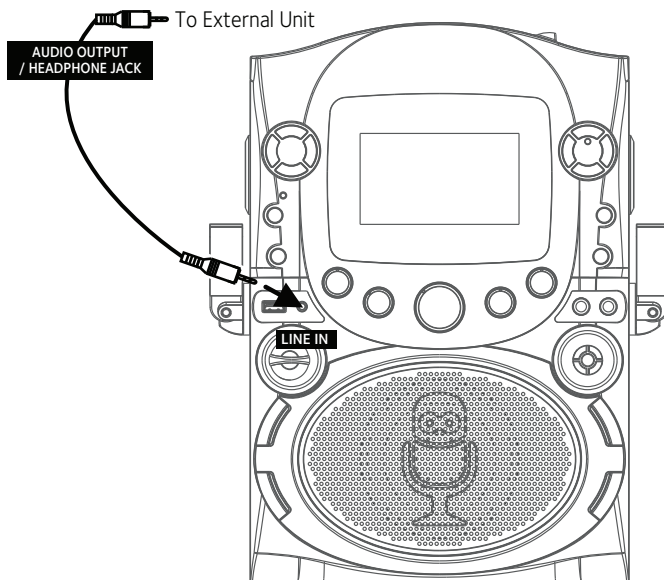


Insert the small end of the AC adapter into the DC IN Jack on the rear of the unit. Insert the other end (with the 2 blades) into a conveniently located AC outlet having AC 120V, 60Hz.

Note:

Make all connections before connecting to AC power.

Connecting to Line In Jack

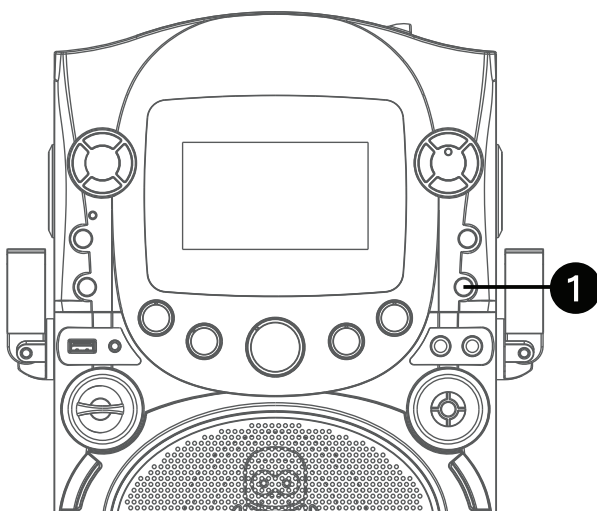


Connect an external device by using an appropriate cable (3.5mm audio cable not included) as shown.

Note:

See page E17 to select and use the Line In function.

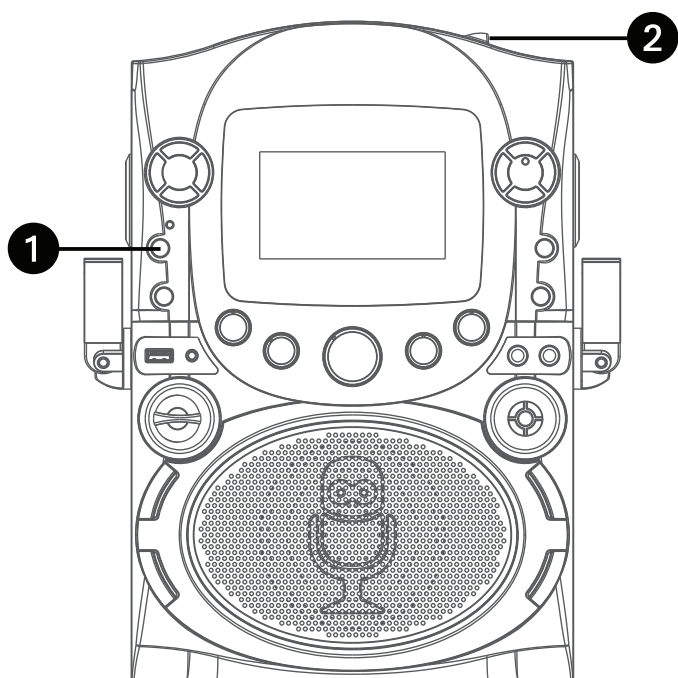
Speaker Lights



Press the **LIGHT** button to switch on the lighting effect, press again to switch off.

Operation

Playing a CDG



1 Connect the unit as described previously. Press the **ON/OFF** button to turn the unit on; the Power indicator will light.

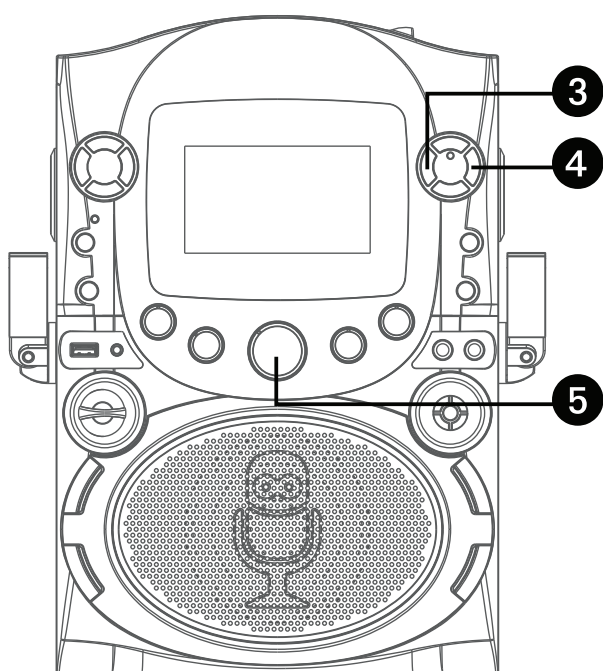
2 Lift open the CD door and insert a CD or a CD+G by gently pressing it on the center spindle. Then close the CD door.

Notes:

- **What is a CD+G?**

A CD+G (CD+Graphics) is the standard format for most karaoke discs that will display the words on the screen.

- Never place anything other than a CD in the compartment, as foreign objects can damage the unit.
- If no disc is inserted, "NO DISC" will appear on the screen.
- If connected to a TV or other audio source, adjust the volume of the TV using its own volume control.



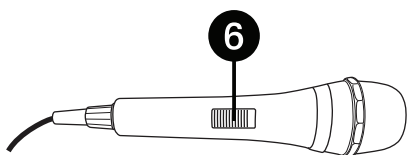
3 Repeatedly press the **CDG/USB/BT** button to select the CDG/CD mode; "READ" will appear when searching the disc and then the total number of tracks will appear.

4 Press the **Play/Pause** button to start playback. If listening to a CD+G file, press the **MONITOR ON/OFF** button to view the image and lyrics on the screen.

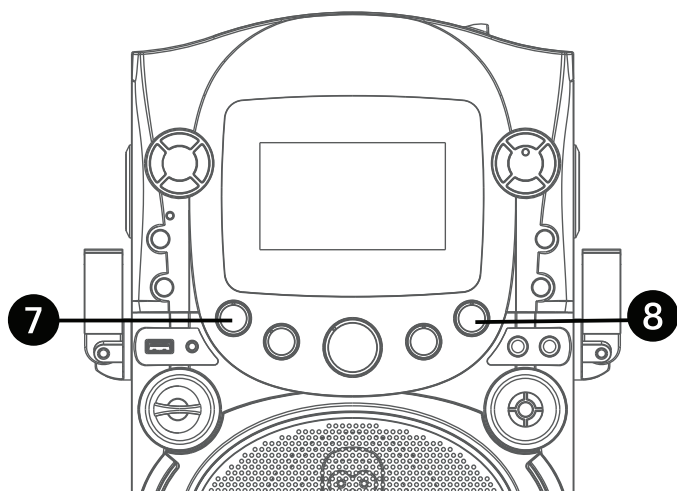
5 Adjust the volume to a comfortable level using the **MASTER VOLUME** control.

Operation

Playing a CDG (Continued)

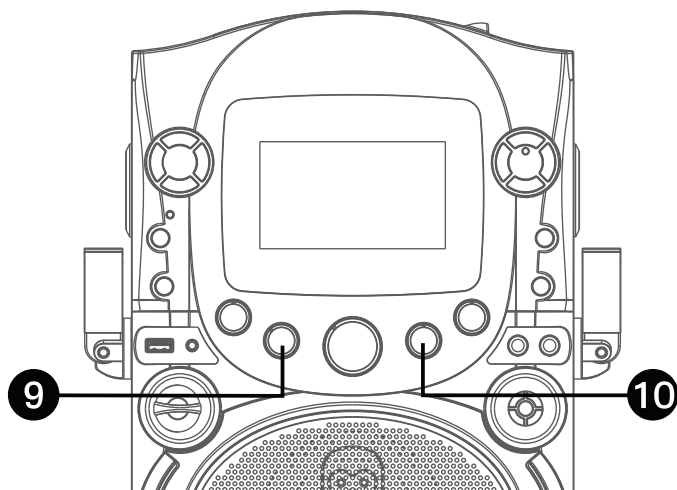


6 Connect microphone(s) and slide the **ON/OFF** switch on the microphone to the ON position.



7 Adjust the **MIC VOLUME** control as desired. Increasing this control will increase the volume of both microphones.

8 Rotate the **ECHO** control to add an echo effect to your voice. Rotate clockwise to increase the echo effect.



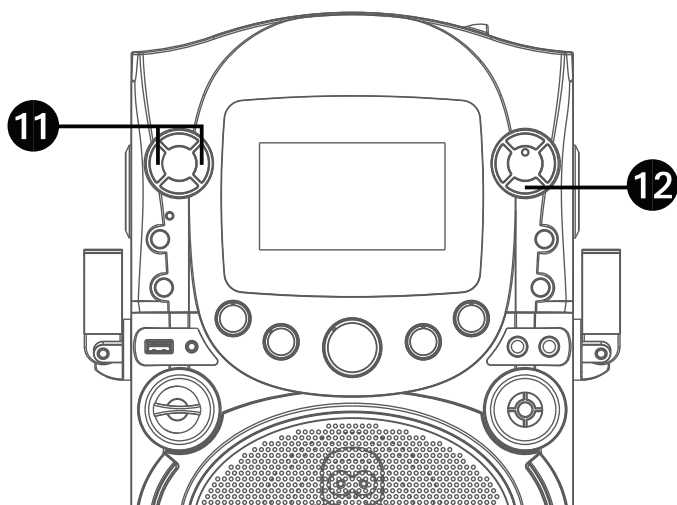
9 **AUTO VOICE CONTROL** can be activated by rotating the **A.V.C. (Auto Voice Control)**. The higher this control is set to, the more the vocals on the multiplex recording will be muted when the singer starts to sing through the microphone. When the singer stops singing, the recorded vocals on the multiplex recording will resume to normal.

10 Rotate the **BALANCE** control clockwise to hear the recorded vocals from a multiplex recording or counterclockwise to hear the music only from a multiplex recording.

Note: To use the **BALANCE** control, a CD+G disc must be used, otherwise it will operate as a standard Balance control.

Operation

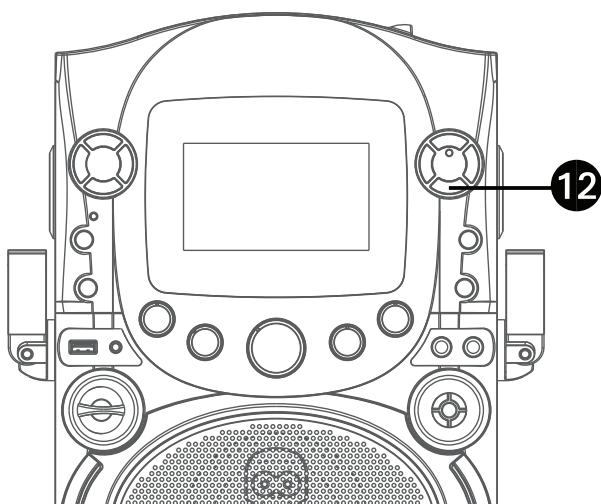
Playing a CDG (Continued)



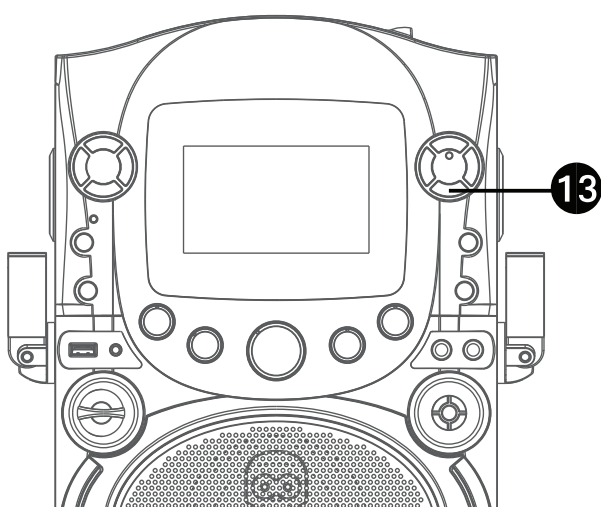
11 SKIP: Advance or go back one track by pressing the **Skip ⏮/Skip ⏭** buttons.

SEARCH: When playing any audio CD, press and hold the **Skip ⏮/Skip ⏭** button. The CD will search at high speed in the forward or backward direction. Normal play will continue when you release the button.

Note: SEARCH function only works on CD not CD+G discs.



12 REPEAT: During playback, press the **REPEAT/PROGRAM** button once during playback, **↻** will appear in the display and the current track will be repeated. To repeat all tracks, press the **REPEAT/PROGRAM** button again, **↻A** will appear. Press again to cancel the Repeat feature; **↻X** will appear.

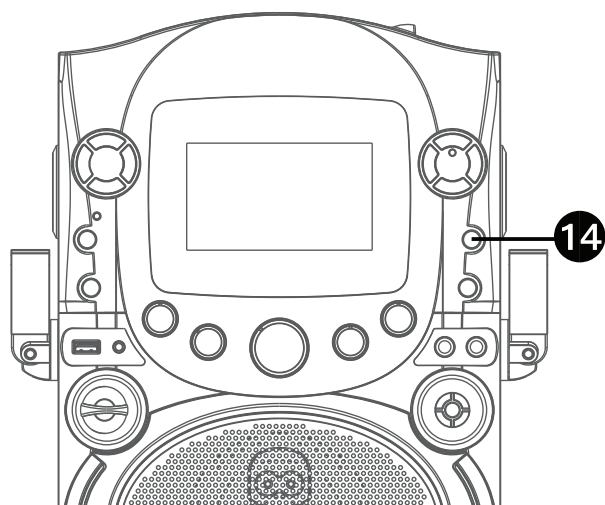


13 PROGRAM: You can program up to 20 tracks for playback in any desired order. While in Stop mode, press the **PROGRAM/REPEAT** button; **PRG SET 00:XX** (xx is the total number of tracks) will appear in the display. Select the first track using the **Skip ⏮/Skip ⏭** buttons, then press the **PROGRAM/REPEAT** button. Repeat to set up to 20 tracks into memory. When done, press the **Play/Pause ▶||** button to start playback.

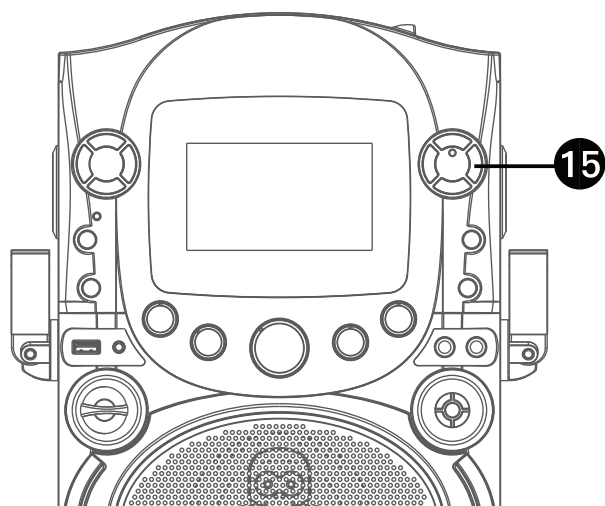
Note: Press the **STOP ■ /PAIRING** button TWICE to stop and clear the program.

Operation

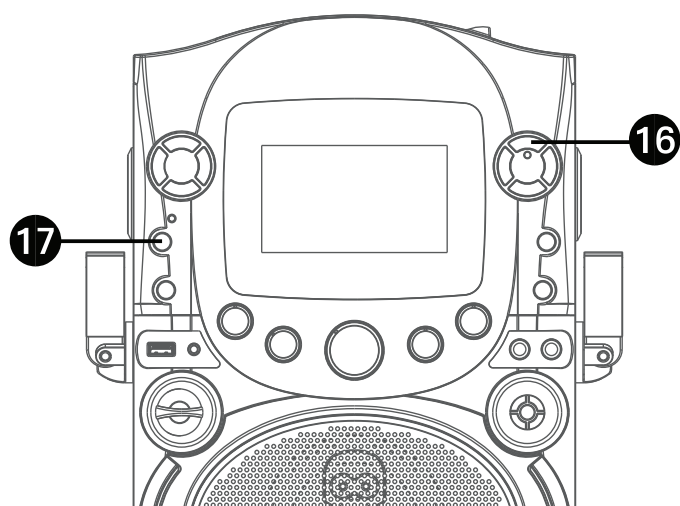
Playing a CDG (Continued)



- 14 RECORDING YOUR SINGING:** Insert a USB drive first, then press the **REC** button; the song will start over and recording will begin. REC with track progress in percentage will appear at the top left of the screen. When done recording, press the **REC** button again to stop recording. See “Playing Songs from the USB” to play back your recorded files saved in the USB flash drive.



- 15 PAUSE:** During playback, if you wish to pause the disc momentarily, press the **Play/Pause ►||** button. Press again to resume normal playback.

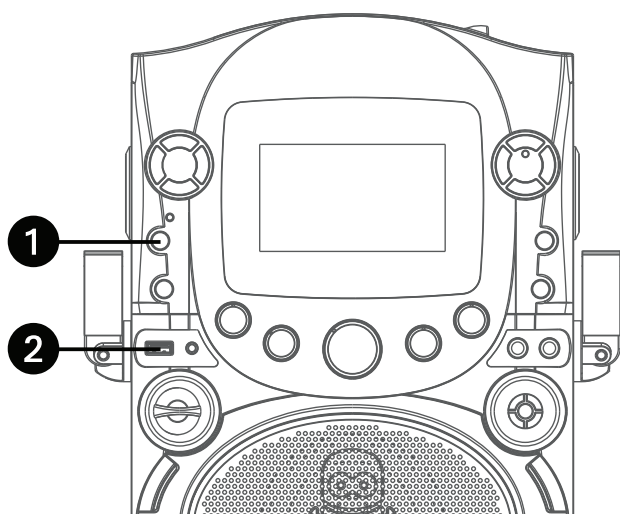


- 16** Press the **STOP ■ /PAIRING** button to stop playback.

- 17** Press the **ON/OFF** button to turn the unit off.

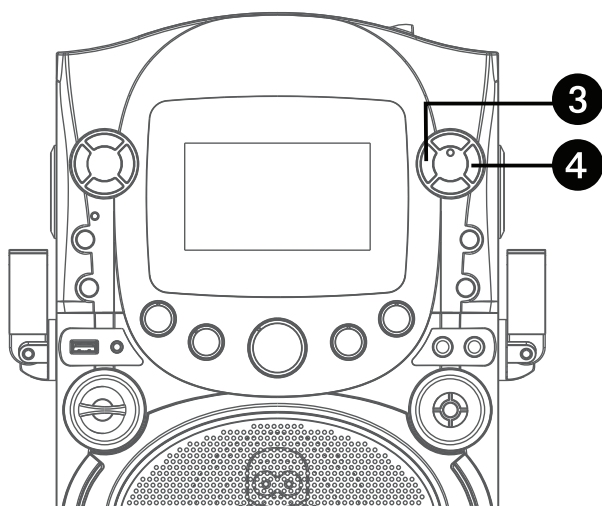
Operation

Playing Songs from the USB



1 Connect the unit as described previously. Press the **ON/OFF** button to turn the unit on.

2 Insert a USB flash drive into the USB port on the unit so it faces upward. Make sure to download music from the Karaoke store.

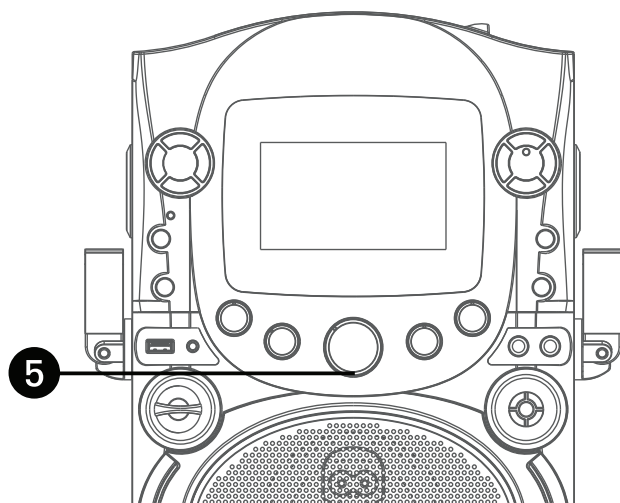


3 Repeatedly press the **CDG/USB/BT** button to select the USB mode; “USB” will appear when searching the drive and then the total number of files will appear.

Note: The USB mode cannot be accessed until a flash drive is inserted.

4 Press the **PLAY/PAUSE ▶||** button to start playback; if listening to an MP3+G file, press the **MONITOR ON/OFF** button to view the image and lyrics on the screen.

Note: On the screen, folders that contain recordings and songs appear to the left and the list of tracks from a selected folder will appear to the right. To navigate these folders see “Skip” section.

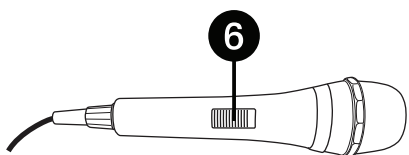


5 Adjust the volume to a comfortable level using the **MASTER VOLUME** control.

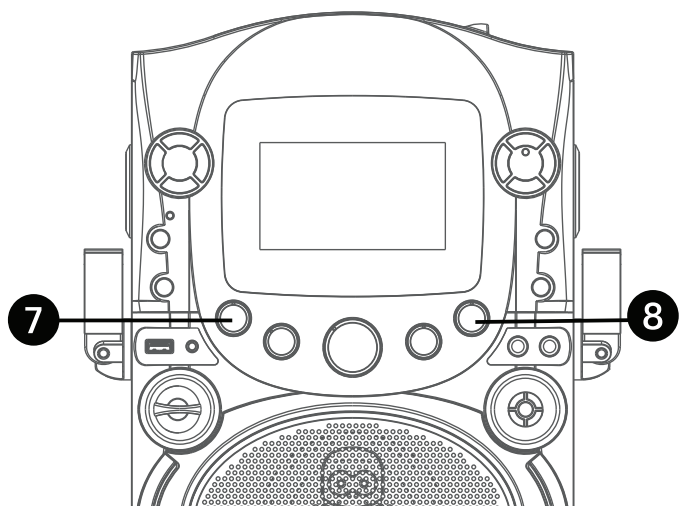
Note: If connected to a TV or other audio source, adjust the volume of the TV using its own volume control.

Operation

Playing Songs from the USB (Continued)

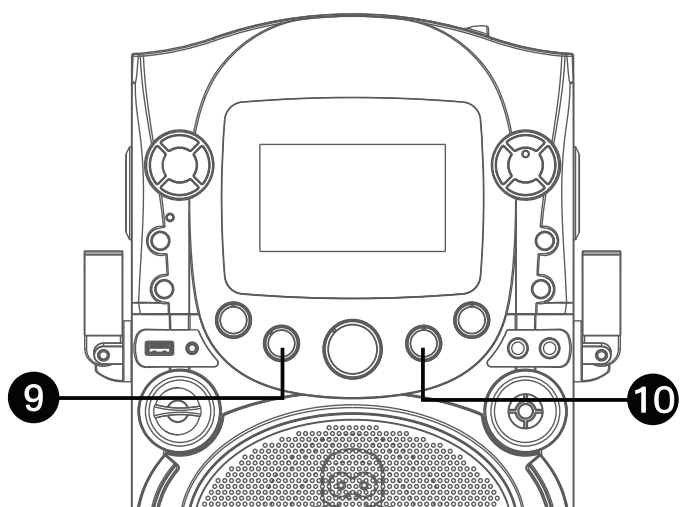


6 Connect microphone(s) and slide the **ON/OFF** switch on the microphone to the ON position.



7 Adjust the **MIC VOLUME** control as desired. Increasing this control will increase the volume of both microphones.

8 Rotate the **ECHO** control to add an echo effect to your voice. Rotate towards MAX to increase the echo effect.



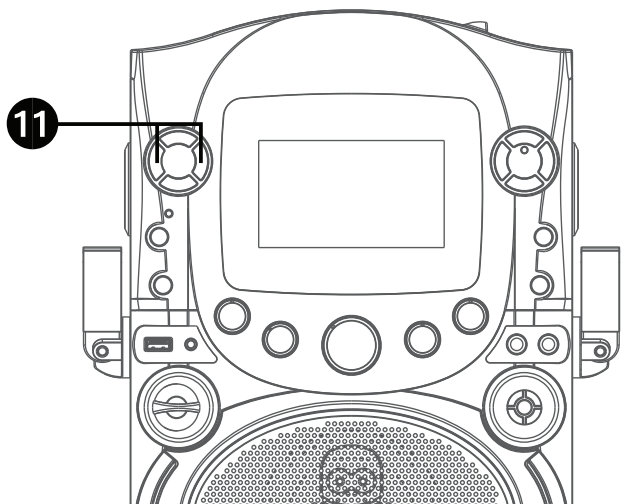
9 **AUTO VOICE CONTROL** can be activated by rotating the **AVC** control. The higher this control is set to, the more the vocals on the multiplex recording will be muted when the singer starts to sing through the microphone. When the singer stops singing, the recorded vocals on the multiplex recording will resume to normal.

Note: This is only for files recorded with this multiplex feature.

10 Rotate the **BALANCE** control clockwise to hear the music and recorded vocals from a multiplex recording or counterclockwise to hear the music only from a multiplex recording.

Operation

Playing Songs from the USB (Continued)

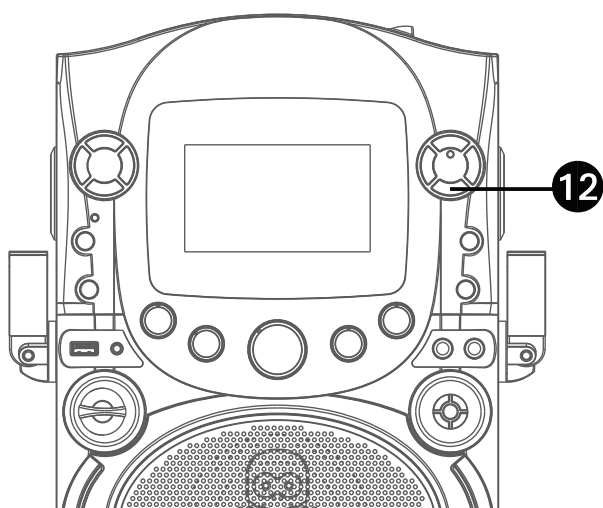


11 SKIP: Advance or go back one track by pressing the ◀ / ⏪ or ▶ / ⏩ buttons.

SEARCH: When playing any audio from the USB, press and hold the ◀ / ⏪ or ▶ / ⏩ buttons. The USB will search at high speed in the forward or backward direction.

Normal play will continue when you release the button.

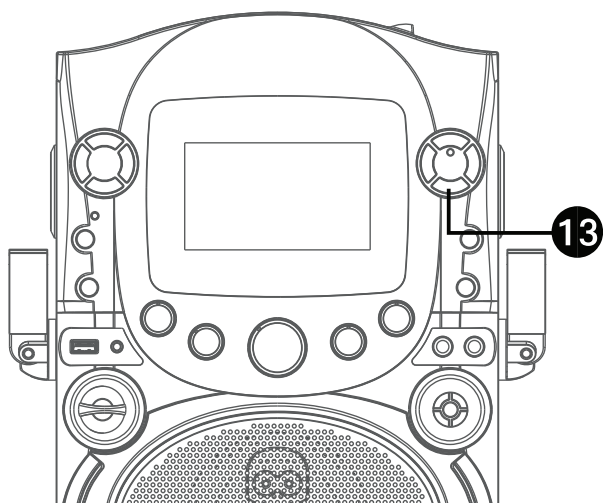
During Stop mode you can also select a file using the navigation buttons ▲ ▼ ◀ ▶ to scroll up/down and right/left.



12 REPEAT: To repeat the current track, press the **REPEAT/PROG** button once during playback, ↺_1 will appear in the display and the current track will be repeated. Press the **REPEAT/PROG** button twice, ↺_2 will appear and all MP3 tracks inside the current folder will be repeated continuously. To repeat all tracks, press the **REPEAT/PROG** button again, ↺_A will appear. Press again to cancel the Repeat feature; ↺_X will appear.

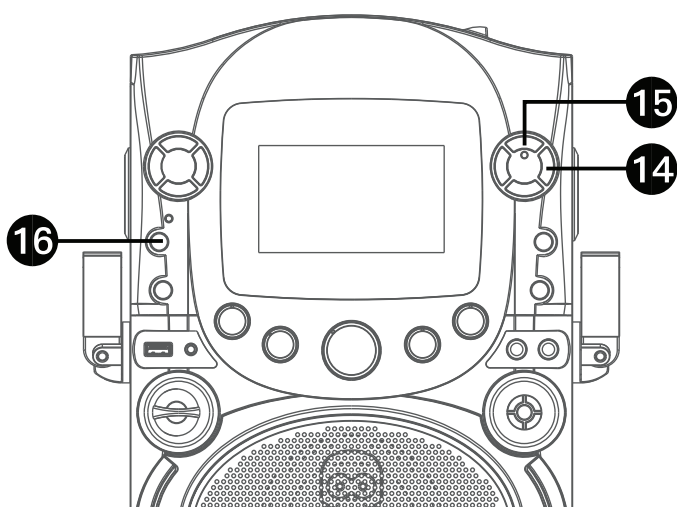
Operation

Playing Songs from the USB (Continued)



- 13 PROGRAM:** You can program up to 20 tracks on any USB for playback in any desired order. While in the Stop mode, press the **REPEAT/PROG** button; PROG SET00:XX (xx is the total tracks) will appear in the display. Select the first track using the ◀ / ⏪ or ▶ / ⏩ buttons, then press the **REPEAT/PROG** button. Repeat to set up to 20 tracks into memory. When done, press the **PLAY/PAUSE ▶||** button to start playback.

Note: Press the **STOP ■ /PAIRING** button TWICE to stop and clear the program.



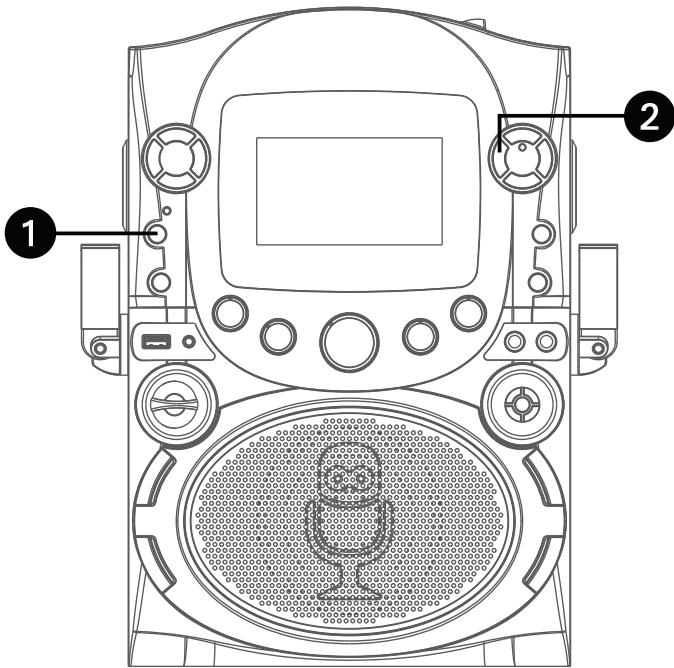
- 14 PAUSE:** During playback, if you wish to pause the disc momentarily, press the **PLAY/PAUSE ▶||** button. Press again to resume normal playback.

- 15** Press the **STOP ■ /PAIRING** button to stop playback.

- 16** Press the **⏻ ON/OFF** button to turn the unit off.

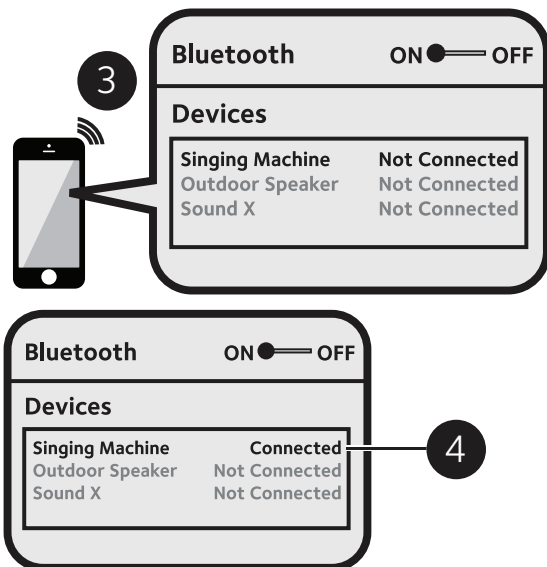
Operation

Using a Bluetooth Device



- 1 Connect the unit as described previously. Press the **ON/OFF** button to turn the unit on; the Power indicator will light.
- 2 Repeatedly press the **CDG/USB/BT** button to select the Bluetooth; “BLUETOOTH” will flash on the screen. The screen will show your Bluetooth device is ready to connect with a notification sound. If there is a previously paired Bluetooth device around, the unit will connect it automatically with a successful pairing sound. If no previously paired devices are present, connect as shown in the next step.

Note: You can also press the **STOP ■ / PAIRING** button to disconnect any paired devices in order to pair another device.



- 3 Turn on your device’s Bluetooth option in settings to search for a discoverable device with a Bluetooth signal. Select “Singing Machine” from the device results on the Bluetooth menu.

Note: Also refer to the user manual of your Bluetooth device for detailed instructions.

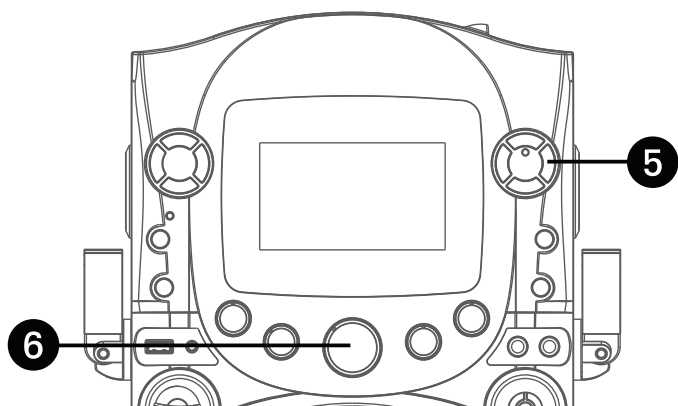
- 4 The bluetooth indicator will light and a successful pairing sound will be heard.

Notes:

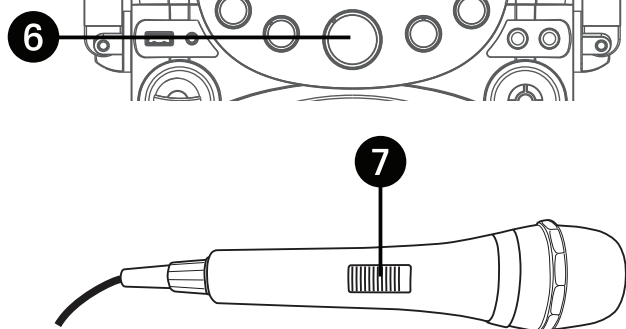
- If your Bluetooth prompts you for a passcode during the pairing process, please enter “0000” to connect.
- On some Bluetooth devices, once pairing is complete, select your Bluetooth device as “Use as Audio Device” or similar.
- If connection is lost after successful pairing, check to make sure the distance between speaker and Bluetooth-enabled device does not exceed 30 feet/10 meters.
- “BLUETOOTH” will blink on TV screen, and will stop blinking after successful connection.

Operation

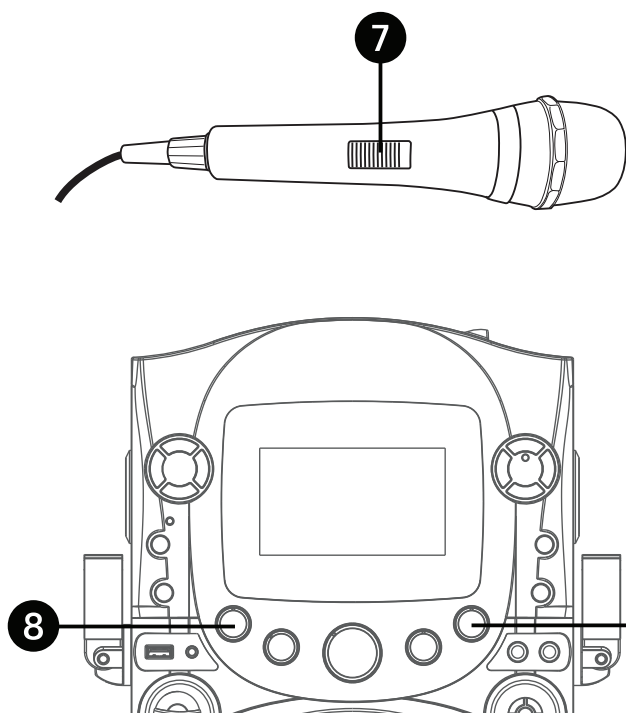
Using a Bluetooth Device (Continued)



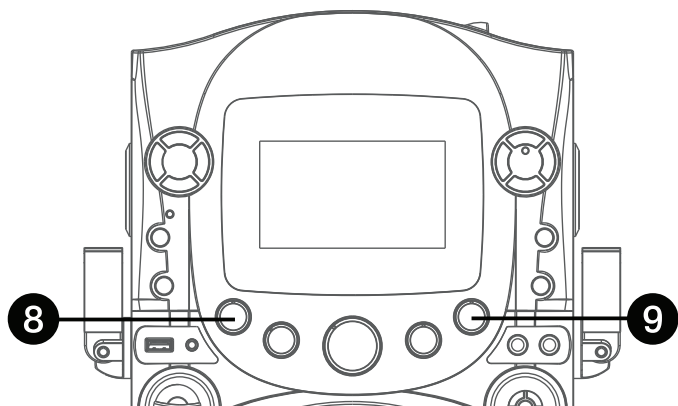
5 To control your Bluetooth device from this unit, press the **PLAY/PAUSE ▶ II** button to start playback (music app must be open). Press the **PLAY/PAUSE ▶ II** button during playback to pause the song.



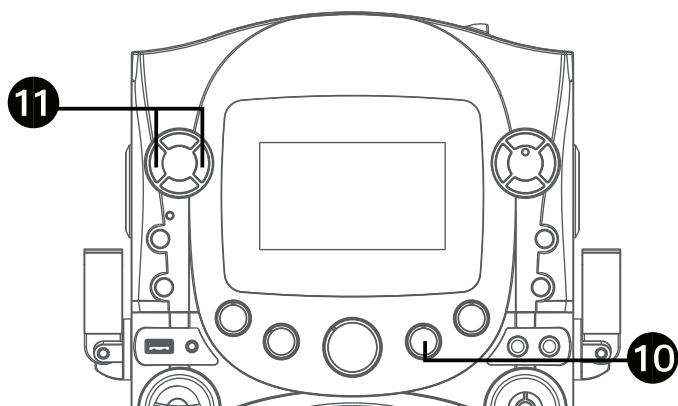
6 Adjust the volume to a comfortable level using the **MASTER VOLUME** control on this unit as well as the volume on your Bluetooth device.



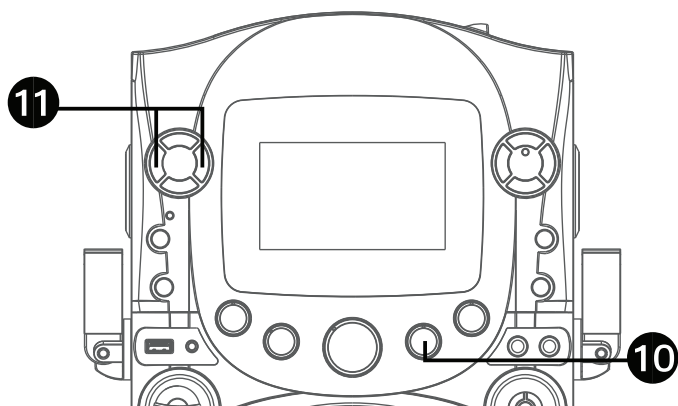
7 Connect microphone(s) and slide the **ON/OFF** switch on the microphone to the ON position.



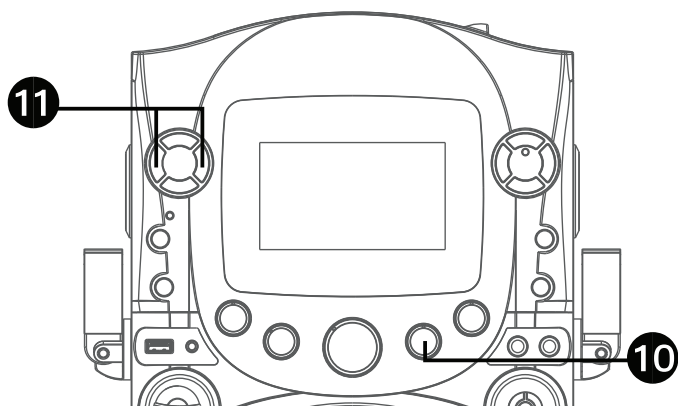
8 Adjust the **MIC VOLUME** control as desired. Increasing this control will increase the volume of both microphones.



9 Rotate the **ECHO** control to add an echo effect to your voice. Rotate towards **MAX** to increase the echo effect.



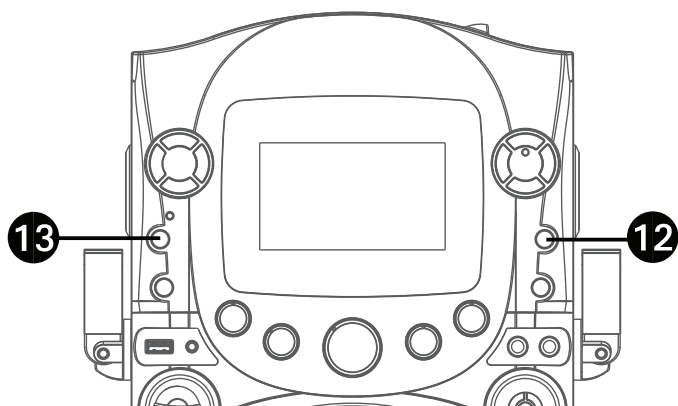
10 Adjust the **BALANCE** control to move the audio from the left to right speaker or vice-versa.



11 **SKIP:** Advance or go back one track by pressing the ◀ / ⏪ or ▶ / ⏩ buttons.

Operation

Using a Bluetooth Device (Continued)

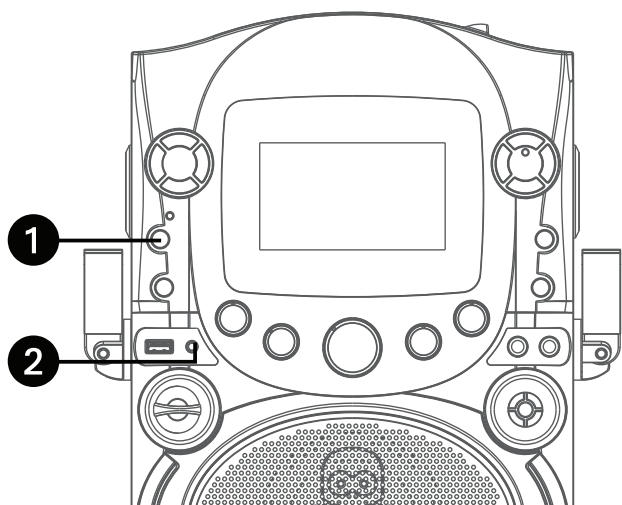


12 RECORDING YOUR SINGING: Insert a USB drive first, then press the **REC** button; the song will start over and recording will begin. REC with track progress in percentage will appear at the top left of the screen. When done recording, press the **REC** button again to stop recording. See “Playing Songs from the USB” to play back your recorded files saved in the USB flash drive.

13 Press the **ON/OFF** button to turn the unit off.

Operation

Using the LINE IN Jack

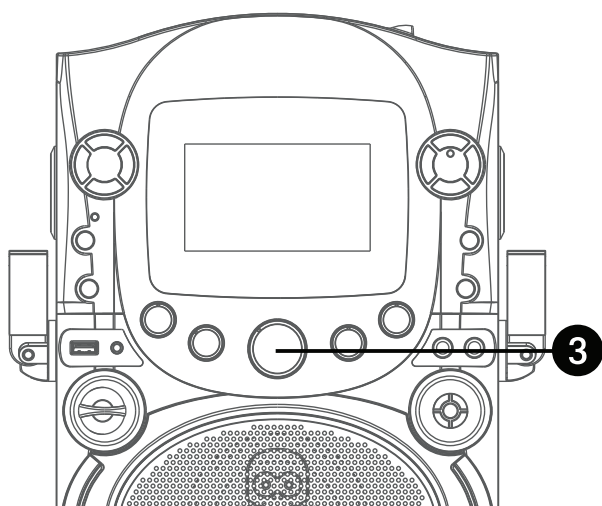


1 Connect the unit as described previously. Press the **ON/OFF** button to turn the unit on; the Power indicator will light.

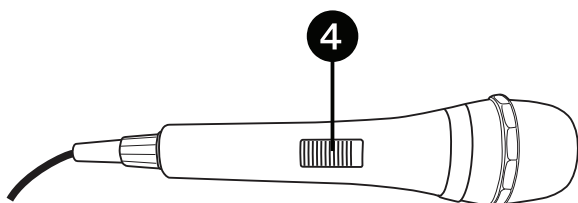
2 Connect the external unit to the LINE IN Jack on the front of this unit. Connecting an external unit will allow the audio to be played through your Singing Machine. LINE IN function is automatically selected once the audio cable is plugged in.

Notes:

- It is highly recommended to set the volume on the auxiliary unit to 1/3 or lower to avoid distortion.
- Skipping files/tracks is not possible on this unit when using an external device.



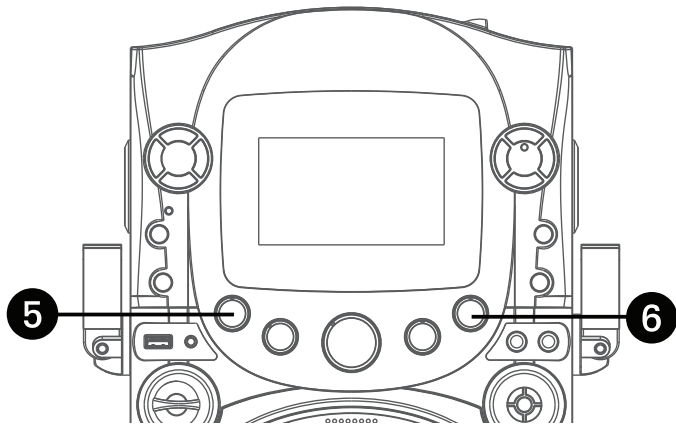
3 Adjust the volume using the **MASTER VOLUME** control on this unit or your external device's volume control.



4 Connect microphone(s) and slide the **ON/OFF** switch on the microphone to the ON position.

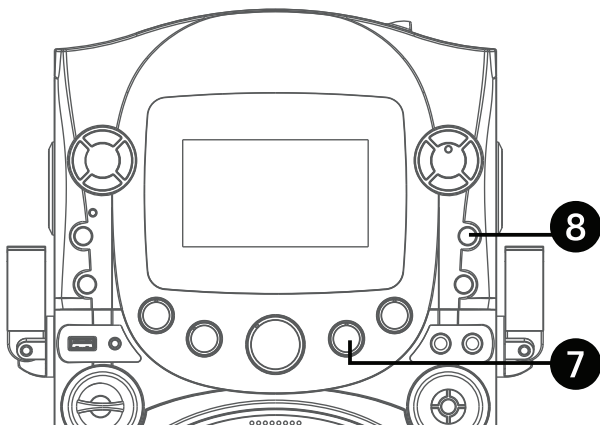
Operation

Using the LINE IN Jack (Continued)



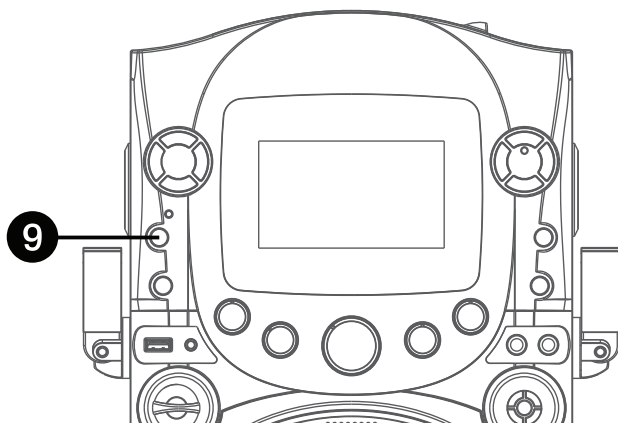
5 Adjust the **MIC VOLUME** control as desired. Increasing this control will increase the volume of both microphones.

6 Rotate the **ECHO** control to add an echo effect to your voice. Rotate clockwise to increase the echo effect.



7 Adjust the **BALANCE** control to move the audio from the left to right speaker or vice-versa.

8 **RECORDING YOUR SINGING:** Insert a USB drive first, then press the **REC** button; the song will start over and recording will begin. REC with track progress in percentage will appear at the top left of the screen. When done recording, press the **REC** button again to stop recording. See “Playing Songs from the USB” to play back your recorded files saved in the USB flash drive.



9 Press the **ON/OFF** button to turn the unit off.

Operation

Where to Download MP3+G Files

Helpful Hints:

The .mp3 and .cdg files are delivered for download in a single, compressed MP3+G.zip file. The MP3+G file cannot be played as a .zip file on a USB flash drive. To play karaoke songs using a USB flash drive, the MP3+G .zip file must be unzipped as follows:

- Connect a USB flash drive to your computer.
- Download the MP3+G file from your Digital Locker and save the .zip* file to a folder on your computer.
- Double click the .zip file to open the .zip (you will see the .mp3 and .cdg files).
- Drag and drop the .mp3 and .cdg files to the USB flash drive.
- Remove (eject) the USB flash drive from your computer.

Turn on the Singing Machine and connect the USB flash drive.

To purchase and download karaoke music, please visit <http://store.singingmachine.com> to access over 13,000+ of your favorite karaoke songs. You will need a USB flash drive (not included) to transfer the downloads to this unit.

Follow these easy steps:

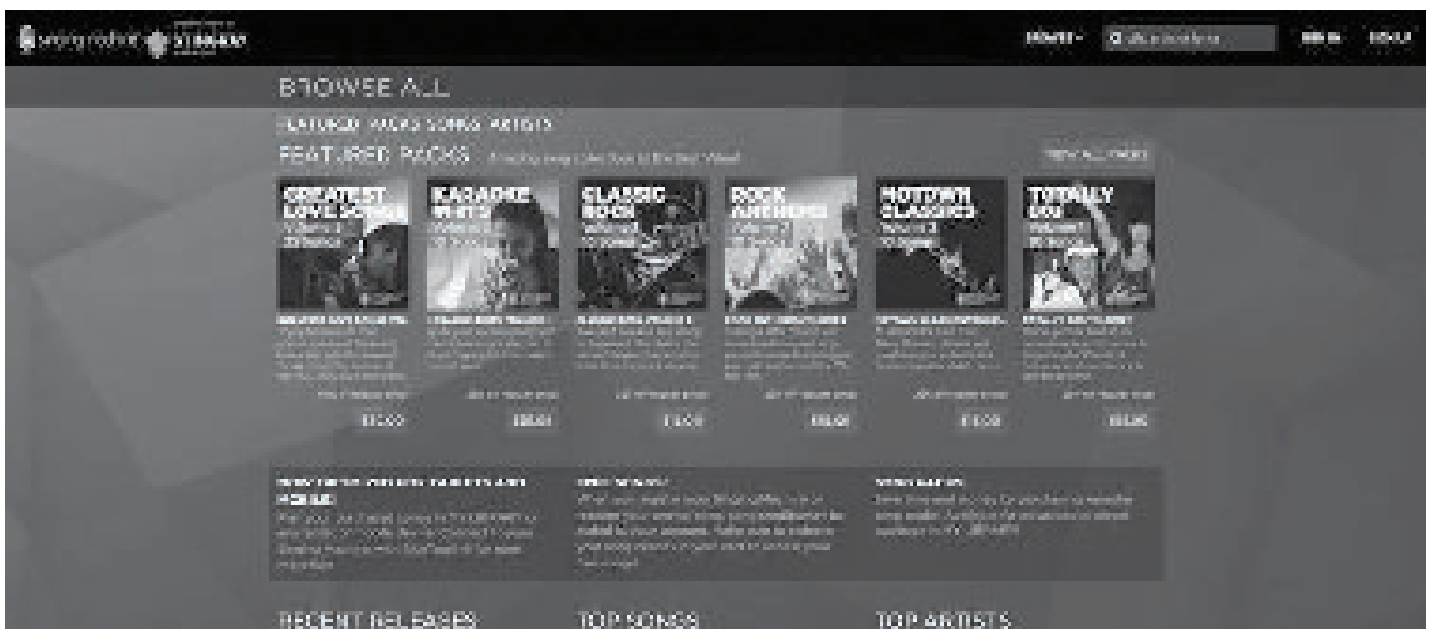
- 1 Go to <http://store.singingmachine.com> using your internet browser, and then register.
- 2 Select and purchase your favorite karaoke music from the Singing Machine Download Store.
- 3 Download your selected purchase(s) from the Singing Machine Digital Locker to your USB flash drive.
- 4 Insert the USB flash drive as shown on page E11 and enjoy!

FAQ

- Where can I get additional help with the file formats?

While on the Singing Machine Store's web page, simply click **FILE FORMATS** at the lower left.

Note: Your downloaded songs can also be burned to a blank CDR/CDRW.



Troubleshooting Guide

Should this unit exhibit a problem, check the following before seeking service:

No Power

- Power is not on; press the **⏻ ON/OFF** button to turn unit on.
- Confirm that the AC adapter is connected securely to the back of the unit.
- Connect the unit to a different outlet.

No Sound – General

- **Master Volume** is set to minimum; raise volume.
- Correct Function was not selected; press the **CDG/USB/BT** button to change the function.
- If using an external device, raise the volume.

No Sound – If connected to a TV

- Volume on the TV is muted or too low.
- Correct source (usually AV) was not selected on the TV's menu.

Lyrics do not appear on the TV screen

- If connected to a TV, Video plug is not connected properly; see page E5.
- If connected to a TV, select the correct source on the TV (usually AV).
- The file/track being played is not a track recording with lyrics. These are the only files that allow you to view the lyrics on the TV screen.
- Nothing will appear on the TV screen when using Line In or Bluetooth.

No sound from the microphone

- Make sure the microphone is firmly connected to the MIC 1 or MIC 2 jack.
- Make sure the **ON/OFF** switch on the microphone is set to the ON position.
- Make sure the **MIC VOLUME** control is not set too low.
- **MASTER VOLUME** is set to minimum; raise volume.
- Raise the **ECHO** control past mid point.

File(s) on USB jack not playing

- The file is corrupted; replace the file.
- The file is not in a format this unit will play.
- The connected USB device is not supported by the product.

The Bluetooth device cannot be paired or connected with the unit

- Ensure any other Bluetooth devices are turned off to avoid accidental pairing.
- You have not activated the Bluetooth function of your device; see page E15 or refer to the Bluetooth device user's manual.
- The system is not in pairing mode; press the **STOP ■ /PAIRING** button to restart pairing.

The Music is not available on the unit after successfully connecting the Bluetooth

- Ensure your Bluetooth device can support the A2DP Bluetooth profile.
- The volume on the external Bluetooth device is set too low or muted; raise as desired.
- Make sure your music's application is open.

Specifications

AUDIO

OUTPUT POWER (MAXIMUM)..... 3.5 Watts (RMS)
OUTPUT IMPEDANCE 3 Ohms

USB

Format.....FAT32
Maximum Capacity.....32GB

BLUETOOTH

Bluetooth Version V2.1+EDR
Working Distance..... Up to 30 feet/10 meters measured in open space

AUX IN SECTION 3.5 mm Stereo Headphone Jack

MICROPHONE -74db 600 Ohm Impedance with 6.3 mm Dynamic Microphone

POWER SECTION DC 5.8V, 1.5A

DIMENSIONS (HxWxD) 13.4 x 9.1 x 8.7 inches /
..... 34 x 23 x 22.2 cm

WEIGHT.....5.57lbs/2.53kgs

Specifications are subject to change without notice.

The Bluetooth® word mark and logos are registered trademarks owned by Bluetooth SIG, Inc. and any use of such marks and logos by The Singing Machine Company, Inc. is under license. Other trademarks and trade names are those of their respective owners.

Visit Our Website: www.singingmachine.com

Responsible Party Information as follow:

Company Name: The Singing Machine Company, Inc.

Address: 6301 NW 5th Way, Suite 2900, Fort Lauderdale, FL 33309, USA

Contact name: Gary Atkinson

Telephone: 954-596-1000

Website: www.singingmachine.com

Copyright © 2018 All Rights Reserved.

PRINTED IN CHINA
592-XXXX-ENG01-US