

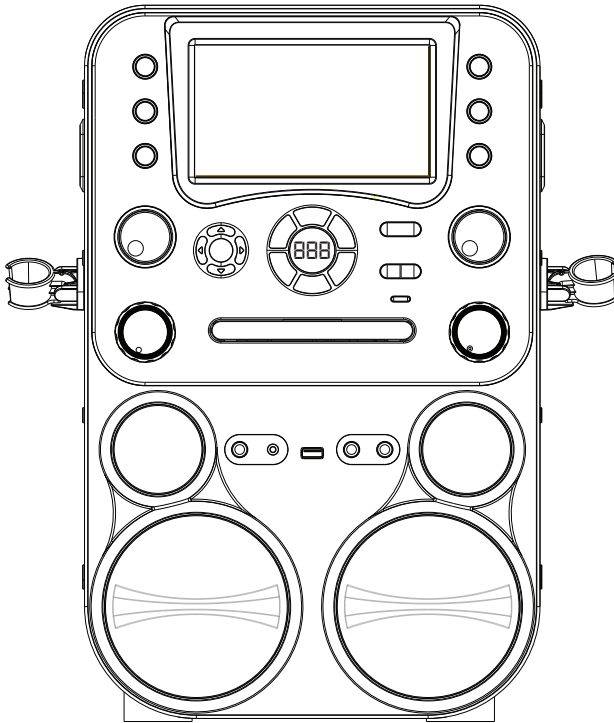


singing machine®

creating Joy through music™

STVG890BTBK/W


INSTRUCTION MANUAL



www.singingmachine.com

The Singing Machine® is a registered trademark of The Singing Machine Co., Inc.

Warnings

	CAUTION RISK OF ELECTRIC SHOCK DO NOT OPEN	
CAUTION: TO REDUCE THE RISK OF ELECTRIC SHOCK, DO NOT REMOVE COVER (OR BACK). NO USER-SERVICEABLE PARTS INSIDE. REFER SERVICING TO QUALIFIED SERVICE PERSONNEL. The Caution marking is located on the bottom panel.		



DANGEROUS VOLTAGE: The lightning flash with arrowhead symbol within an equilateral triangle is intended to alert the user to the presence of uninsulated dangerous voltage within the product's enclosure that may be of sufficient magnitude to constitute a risk of electric shock to persons.



ATTENTION: The exclamation point within an equilateral triangle is intended to alert the user to the presence of important operating and maintenance (servicing) instructions in the literature accompanying this product.



DANGER: This symbol is intended to alert the user to the risk of exposure to invisible and hazardous laser radiation if the cover or back is opened, the interlock fails or is defeated. Direct exposure to the beam may damage your eyesight.

DRIPPING WARNING: This product shall not be exposed to dripping or splashing, and no objects filled with liquids, such as vases, shall be placed on the product.

VENTILATION WARNING: The normal ventilation of the product shall not be impeded for intended use.

SAFETY VERIFICATION: This device is made and tested to meet safety standards of the FCC, requirements and compliance with safety performance of the U.S. Department of Health and Human Services and also with FDA Radiation Performance Standards 21 CFR Subchapter.

CAUTION: TO PREVENT ELECTRIC SHOCK, MATCH WIDE BLADE OF PLUG TO WIDE SLOT AND FULLY INSERT.

WARNING: TO PREVENT FIRE OR SHOCK HAZARD, DO NOT EXPOSE THIS UNIT TO RAIN OR MOISTURE.

FCC WARNING: This equipment may generate or use radio frequency energy. Changes or modifications to this equipment may cause harmful interference unless the modifications are expressly approved in the instruction manual. The user could lose the authority to operate this equipment if an unauthorized change or modification is made.

This device complies with part 15 of the FCC Rules. Operation is subject to the following two conditions: (1) This device may not cause harmful interference, and (2) this device must accept any interference received, including interference that may cause undesired operation.

NOTE: This equipment has been tested and found to comply with the limits for a Class B digital device, pursuant to part 15 of the FCC Rules. These limits are designed to provide reasonable protection against harmful interference in a residential installation. This equipment generates, uses and can radiate radio frequency energy and, if not installed and used in accordance with the instructions, may cause harmful interference to radio communications. However, there is no guarantee that interference will not occur in a particular installation. If this equipment does cause harmful interference to radio or television reception, which can be determined by turning the equipment off and on, the user is encouraged to try to correct the interference by one or more of the following measures:

- Reorient or relocate the receiving antenna.
- Increase the separation between the equipment and receiver.
- Connect the equipment into an outlet on a circuit different from that which the receiver is connected.
- Consult the dealer or an experienced radio/TV technician for help.
- The rating information is located at the rear of the unit.

This equipment complies with the FCC RF radiation exposure limits set forth for an uncontrolled environment. This equipment should be installed and operated with a minimum distance of 20 centimeters between the radiator and your body.

LASER SAFETY: This unit employs a laser. Only qualified service personnel should attempt to service this device due to possible eye injury.

CAUTION: USE OF CONTROLS, ADJUSTMENTS OR PERFORMANCE PROCEDURE HEREIN MAY RESULT IN HAZARDOUS RADIATION EXPOSURE.

INDUSTRY CANADA NOTICE:

This device complies with Industry Canada license-exempt RSS standard(s). Operation is subject to the following two conditions:

1. This device may not cause interference, and
2. This device must accept any interference, including interference that may cause undesired operation of the device.

CAN ICES-3(B)/NMB-3(B)

Important Safety Information

1. Read these Instructions.
2. Keep these Instructions.
3. Heed all Warnings.
4. Follow all Instructions.
5. Do not use this apparatus near water.
6. Clean only with a dry cloth.
7. Do not block any of the ventilation openings. Install in accordance with the Manufacturer's instructions.
8. Do not install near any heat sources such as radiators, heat registers, stoves, or other apparatus (including amplifiers) that produce heat.
9. Do not defeat the safety purpose of the polarized or grounding-type plug. A polarized plug has two blades with one wider than the other. A grounding type plug has two blades and a third grounding prong. The wide blade or the third prong are provided for your safety. When the provided plug does not fit into your outlet, consult an electrician for replacement of the obsolete outlet.
10. Protect the power cord from being walked on or pinched particularly at plugs, convenience receptacles, and the point where they exit from the apparatus.
11. Only use attachments/accessories specified by the manufacturer.
12. Use only with a cart, stand, tripod, bracket, or table specified by the manufacturer, or sold with the apparatus. When a cart is used,

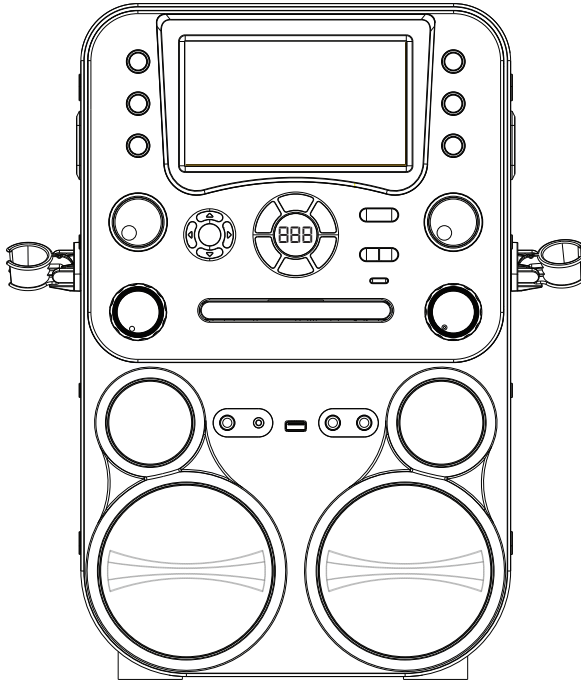
use caution when moving the cart/apparatus combination to avoid injury from tip-over.

13. Unplug this apparatus during lightning storms or when unused for long periods of time.
14. Refer all servicing to qualified service personnel. Servicing is required when the apparatus has been damaged in any way, such as power-supply cord or plug is damaged, liquid has been spilled or objects have fallen into the apparatus, the apparatus has been exposed to rain or moisture, does not operate normally, or has been dropped.
15. **WARNING:** To reduce the risk of fire or electric shock, do not expose this apparatus to rain or moisture. Do not place objects filled with water, such as a vase, on the apparatus.
16. The AC mains plug is used as the power disconnect device and it should remain readily accessible and operable during intended use. In order to completely disconnect the apparatus from power, the mains plug should be completely removed from the AC outlet socket.
17. **CAUTION:** To reduce the risk of fire or explosion, do not expose batteries to excessive heat such as sunshine, fire or other heat sources.

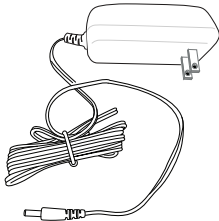
PORTABLE CART WARNING
(symbol provided by IRETAC)



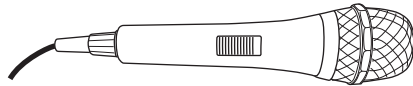
What's in the box.



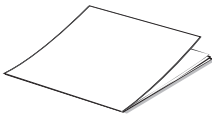
Main Unit



AC Adapter



Wired Microphone



Manual

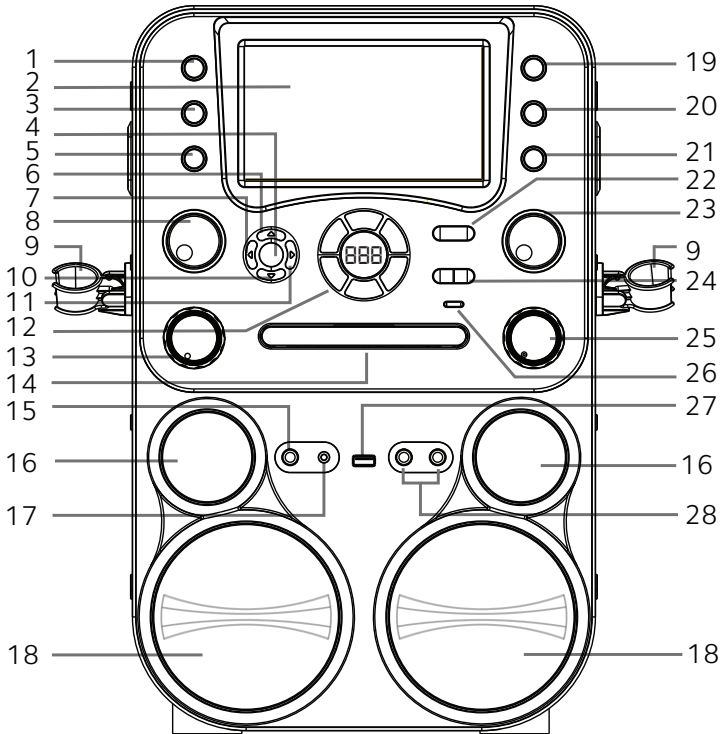


Welcome Kit



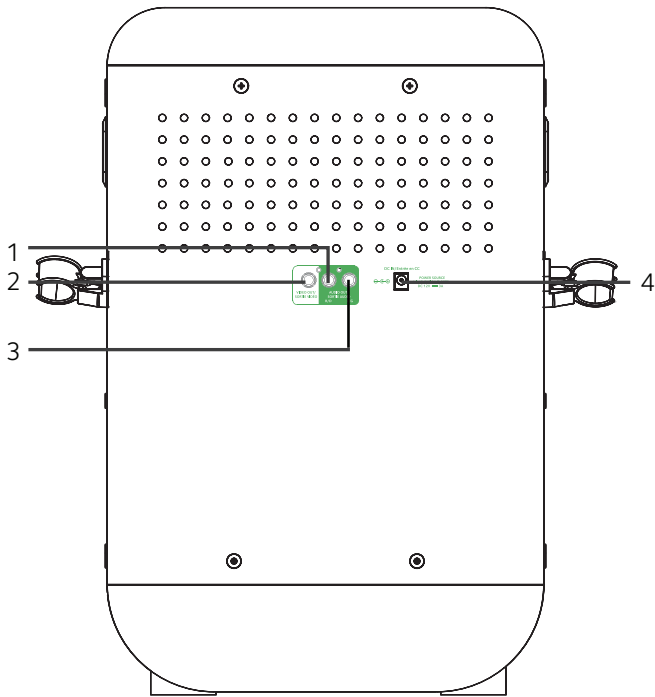
Audio/Video Cables

Location of Controls (Front)



- | | | |
|-----------------------------|---------------------------------|--|
| 1. STANDBY Button | 12. Listed clockwise, from top: | 16. Tweeters |
| 2. Screen | PROGRAM | 17. LINE IN Jack |
| 3. BLUETOOTH Button | Play/Pause ▶ Button | 18. Speakers |
| 4. SKIP 10+ Button | Skip/Search Forward ►► Button | 19. FUNCTION Control |
| 5. RECORD Button | REPEAT Button | 20. MONITOR Control |
| 6. Navigation Up Button | Skip/Search Back ◀◀ Button | 21. LED Light Control |
| 7. Navigation Left Button | Stop ■ Button | 22. AVC (Auto Voice Control) ON/OFF Button |
| 8. BALANCE Control | 13. MASTER VOLUME Control | 23. ECHO Control |
| 9. Mic Holders | 14. CD Compartment | 24. KEY -/+ Buttons |
| 10. Navigation Down Button | 15. GUITAR/KEYBOARD IN Jack | 25. MIC VOLUME Control |
| 11. Navigation Right Button | | 26. CD Open/Close Button |
| | | 27. USB Port |
| | | 28. MIC 1/MIC 2 In Jacks |

Location of Controls (Rear)

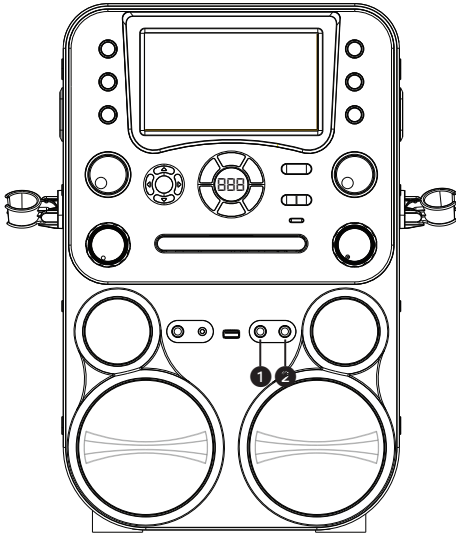


- 1. AUDIO OUT Right Jack
- 2. VIDEO OUT Jack

- 3. AUDIO OUT Left Jack
- 4. DC IN Jack

Connection

Connecting the Microphone(s)

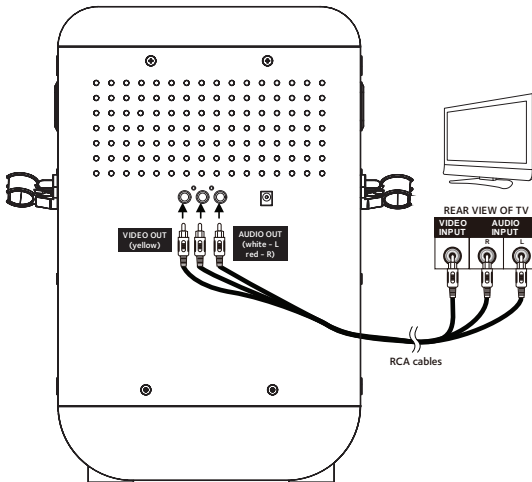


Microphones:

Connect a microphone into MIC jack 1 as well as MIC jack 2 (when desired).

Note: Do not drop or tap the Mic as damage to the Mic or speakers may occur. Do not twirl the microphone cord as it will cause damage to the encased wiring.

Connecting the Unit to a TV



To output the video, lyrics and audio to your TV, perform the following steps: Connect the RCA video cable (Yellow) to the VIDEO OUT jack and the audio cables (White and Red) to the AUDIO OUT jacks located on the back of the Singing Machine.

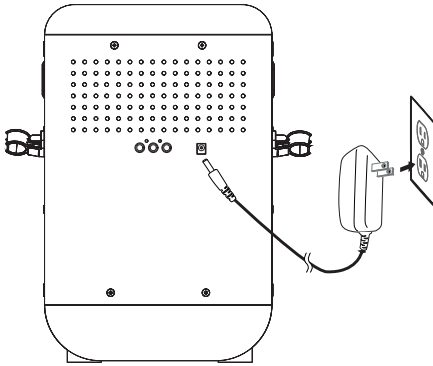
Connect the opposite end of the RCA video cable (Yellow) to the VIDEO IN jack and the audio cables (White and Red) to the AUDIO IN on your TV.

Notes:

- This unit can be used with or without a TV, but it is highly recommended to use a TV in order to utilize all the features.
- Also refer to the TV's User Guide.
- To see the lyrics on the screen, you must use a CD+G disc.

Connection

Connecting to AC Power

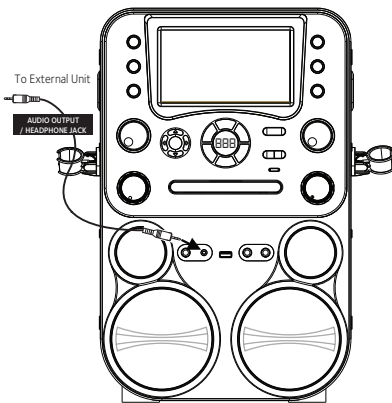


Insert the AC power cord into a conveniently located AC outlet having 120V AC, 60Hz.

Note:

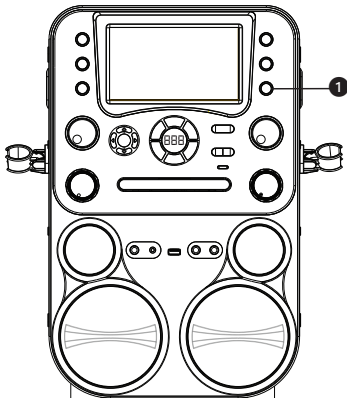
Make all connections before connecting to AC power.

Connecting to LINE IN Jack



Connect an external device by using an appropriate cable (3.5mm audio cable not included) as shown.

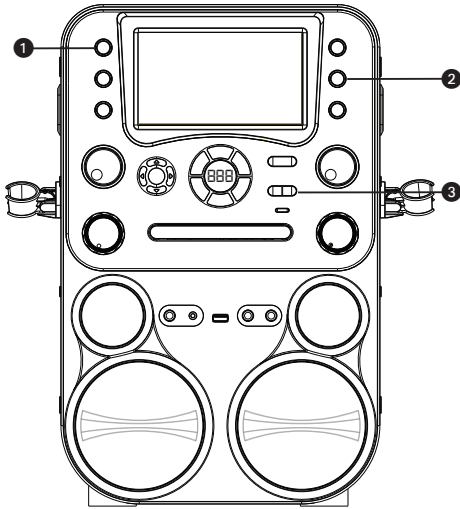
Speaker Lights



Press the **LIGHT** button to switch on the lighting effect, press again to switch off.

Operation

Playing a CDG



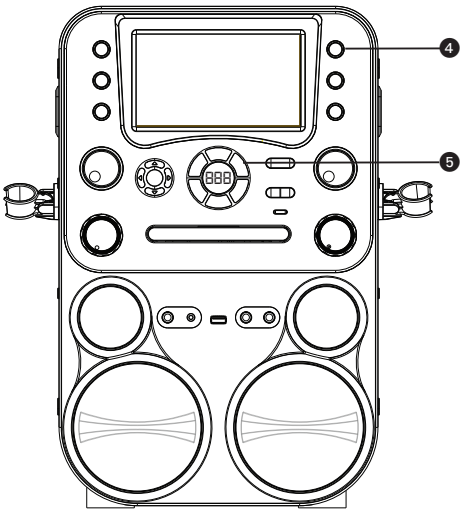
- 1 Connect the unit as described previously; if using a CD+G, it is recommended to connect to a TV. Press the **STANDBY** button to turn the unit on.
- 2 Press the **MONITOR** button to turn the screen on.
- 3 Press the CD Open/Close button to open the CD door and then insert a CD (with standard or MP3+G files) or CD+G. Close the CD door by pressing the CD Open/Close button again.

Note:

- **What is a CD+G?**

A CD+G (CD+Graphics) is the standard format for most karaoke discs that will display the words on the screen.

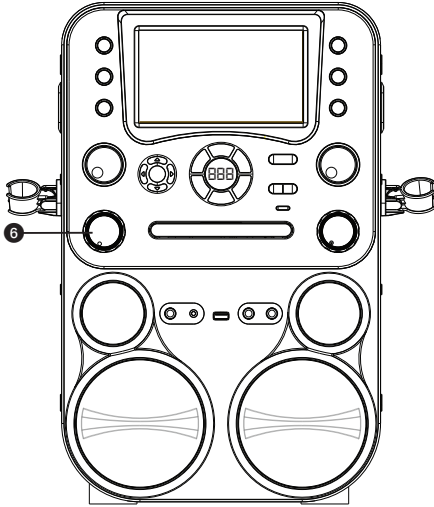
- Never place anything other than a CD in the compartment, as foreign objects can damage the unit.
- If no disc is inserted, "no" will appear on the display.
- If connected to a TV and/or other audio source, adjust the volume of the external unit using its own volume control.



- 4 Repeatedly press the **FUNCTION** button to select the CDG mode; "----" will appear when searching the disc and then the total number of tracks will appear.
- 5 Press the **Play/Pause** ►|| button to start playback.

Operation

Playing a CDG (Continued)

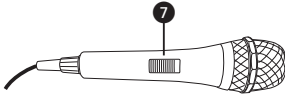


6 Adjust the volume to a comfortable level using the **MASTER VOLUME** control.

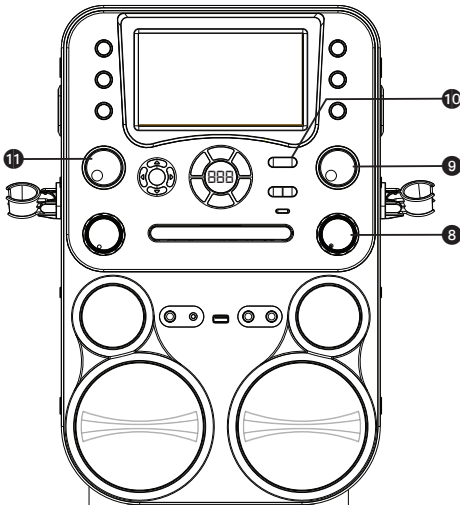
7 Connect microphone(s) and slide the **ON/OFF** switch on the microphone to the ON position.

8 Rotate the **MIC VOLUME** control as desired. Increasing this control will increase the volume of both microphones.

9 Rotate the **ECHO** control to add an echo effect to your voice. Rotate towards MAX to increase the echo effect



10 AUTO VOICE CONTROL can be activated by pressing the **AVC** button. The vocals on the multiplex recording will be muted when the singer starts to sing through the microphone. When the singer stops singing, the recorded vocals on the multiplex recording will resume to normal.

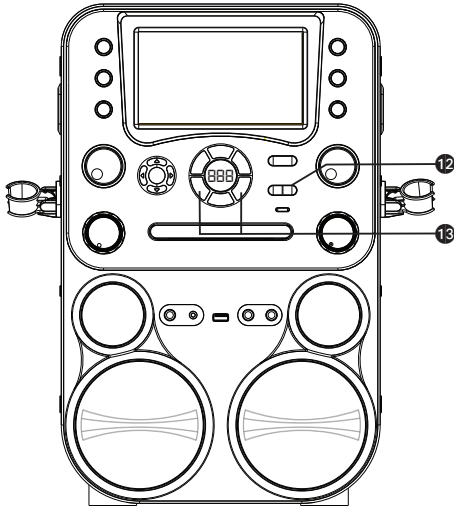


11 Rotate the **BALANCE** control clockwise to hear the music and recorded vocals from a multiplex recording or counterclockwise to hear the music only from a multiplex recording.

Note: To use the **BALANCE** control, a CD+G disc must be used, otherwise it will operate as a standard Balance control.

Operation

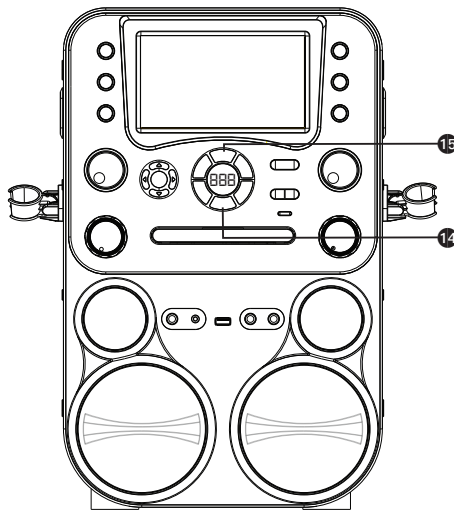
Playing a CDG (Continued)



12 Adjust the Key to obtain the best key for the singer on the track. Adjust the key using the **KEY -** and **KEY +** buttons.

13 **SKIP:** Advance or go back one track by pressing the **Skip Back** ⏮/**Skip Forward** ⏭ buttons.

14 **REPEAT:** During playback, press the **REPEAT** button once to repeatedly play the selected song C_1 will display. Press the **REPEAT** button a second time to repeatedly play the whole CD C^A will display. Press it again to cancel Repeat function C^X will display.



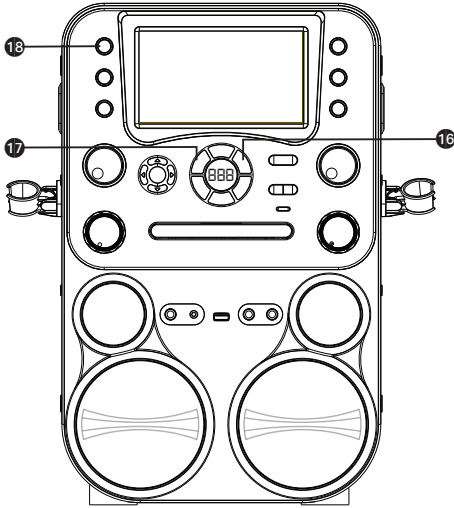
15 **PROGRAM:** You can program up to 20 tracks on any disc for playback in any desired order. While in the Stop mode, press the **PROGRAM** button; the Program indicator first track using the **Skip Back** ⏮/**Skip Forward** ⏭ buttons. Press the **PROGRAM** button again to confirm the entry. After selecting the desired tracks the display will show P01, P02, etc. recognizing the tracks selected have been programmed. Repeat to set up to 20 tracks into memory. When done, press the Play/Pause button to start playback.

Note:

- Press the **Stop** ■ button TWICE to stop and clear the program.

Operation

Playing a CDG (Continued)



During program playback, press the **REPEAT** button once to repeatedly play the selected song \curvearrowright^1 will display. Press the **REPEAT** button a second time to repeatedly play the whole CD \curvearrowright^A will display. Press it again to cancel Repeat function \curvearrowright^X will display.

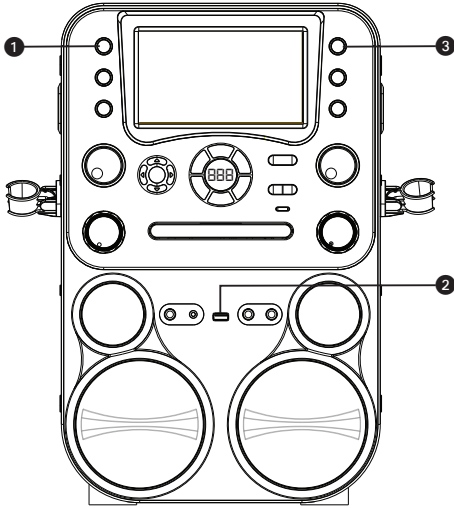
16 **PAUSE:** During playback, if you wish to pause the disc momentarily, press the **Play/Pause** $\blacktriangleright\parallel$ button. Press again to resume normal playback.

17 Press the **Stop** \blacksquare button to stop playback.

18 Press the **STANDBY** button to turn the unit off.

Operation

Playing Songs from the USB

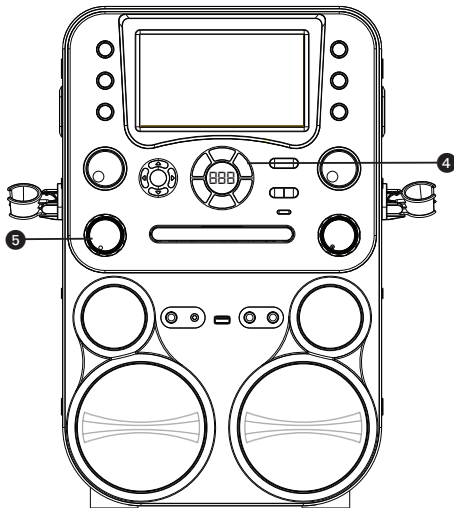


1 Connect the unit as described previously. Press the **STANDBY** button to turn the unit on.

2 Insert a USB flash drive into the USB port on the unit so it faces upward. Make sure to download music from the Karaoke store.

3 Repeatedly press the **FUNCTION** button to select the USB mode; “USB” will appear when searching the drive and then the total number of files will appear.

Note: The USB mode cannot be accessed until a flash drive is inserted.



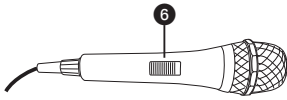
4 Press the **Play/Pause ▶||** button to start playback; if listening to an MP3+G file, the image and lyrics will appear on the TV screen (if connected).

5 Adjust the volume to a comfortable level using the **MASTER VOLUME** control.

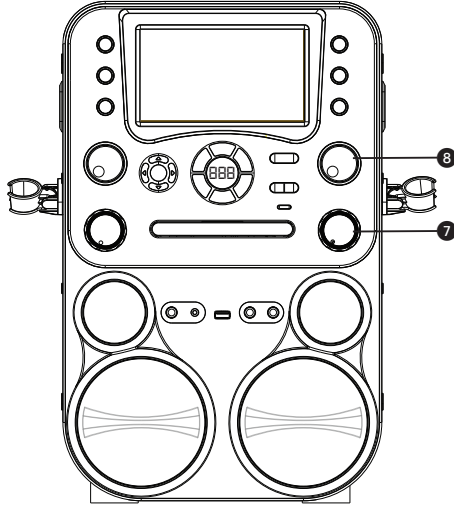
Note: If connected to a TV or other audio source, adjust the volume of the TV using its own volume control.

Operation

Playing Songs from the USB (Continued)

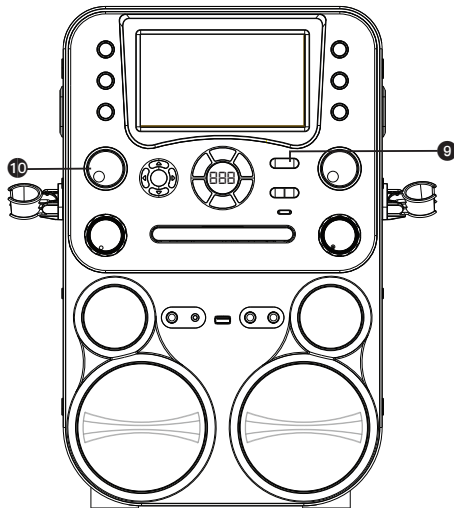


6 Connect microphone(s) and slide the **ON/OFF** switch on the microphone to the ON position.



7 Adjust the **MIC VOLUME** control as desired. Increasing this control will increase the volume of both microphones.

8 Rotate the **ECHO** control to add an echo effect to your voice. Rotate towards MAX to increase the echo effect.

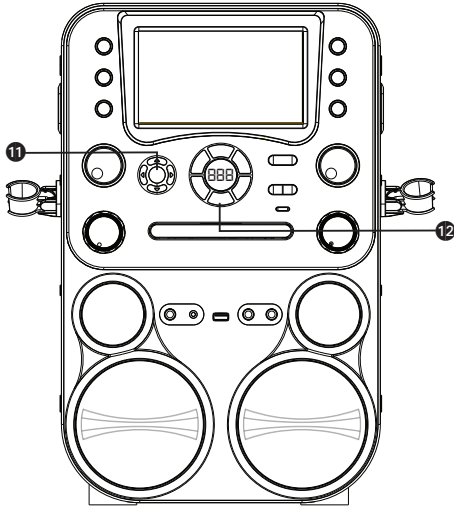


9 **AUTO VOICE CONTROL** can be activated by pressing the **AVC** button. The vocals on the multiplex recording will be muted when the singer starts to sing through the microphone. When the singer stops singing, the recorded vocals on the multiplex recording will resume to normal.

10 Rotate the **BALANCE** control clockwise to hear the music and recorded vocals from a multiplex recording or counterclockwise to hear the music only from a multiplex recording.

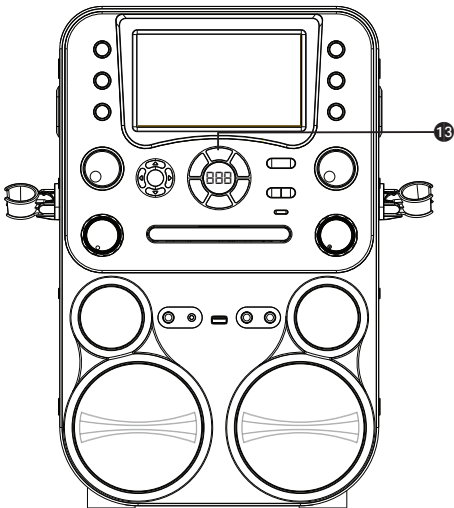
Operation

Playing Songs from the USB (Continued)



11 **SKIP:** Advance or go back one track by pressing the **⏮** or **⏭** buttons. You can also skip ahead 10 files/ tracks using the **Skip 10+** button.

SEARCH: When playing any audio from the USB, press and hold the **⏮** or **⏭** buttons. The USB will search at high speed in the forward or backward direction. Normal play will continue when you release the during Stop mode you can also use the navigation buttons **▶ ◀ ▲ ▼** to scroll right/left and up and down to select a folder or a certain track..

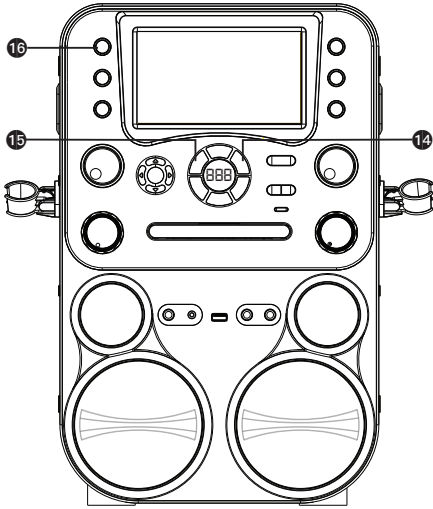


12 **REPEAT:** During playback, press the **REPEAT** button once to repeatedly play the selected song **↺** will display. Press the **REPEAT** button a second time to repeatedly play all tracks **↺^** will display. Press it again to cancel Repeat function **↺x** will display.

13 **PROGRAM:** You can program up to 20 tracks on any disc for playback in any desired order. While in the Stop mode, press the **PROGRAM** button; the Program indicator "P00" will appear. Select the first track using the **Skip Back ⏮/ Skip Forward ⏭** buttons. Press the **PROGRAM** button again to confirm the entry. After selecting the desired tracks the display will show P01, P02, etc. recognizing the tracks selected have been programmed. Repeat to set up to 20 tracks into memory. When done, press the **Play/Pause ▶ ||** button to start playback.

Operation

Playing Songs from the USB (Continued)



Note: Press the **Stop ■** button TWICE to stop and clear the program.

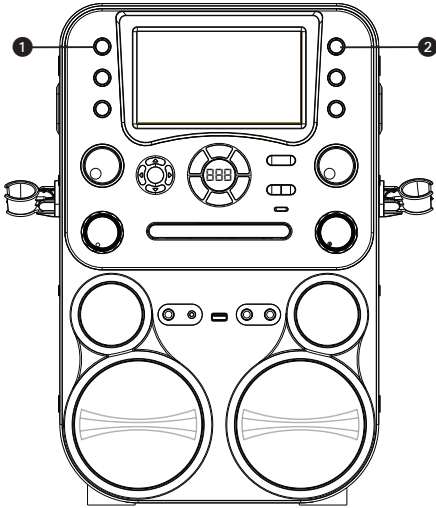
14 PAUSE: During playback, if you wish to pause the disc momentarily, press the **Play/Pause ►||** button. Press again to resume normal playback.

15 Press the **Stop ■** button to stop playback.

16 Press the **STANDBY** button to turn the unit off.

Operation

Using a Bluetooth Device



- 1 Connect the unit as described previously. Press the **STANDBY** button to turn the unit on.
- 2 Repeatedly press the **FUNCTION** button to select the Bluetooth mode; “bt” will blink on the display and “Bluetooth” will blink on the monitor as the unit automatically searches for and pairs a previously paired Bluetooth device (if previously paired). If no previously paired devices are present, connect as shown in the next step.

Note: You can also press the **BLUETOOTH** button to disconnect any paired devices in order to pair another device. Press the **BLUETOOTH** button again to reconnect the current device.

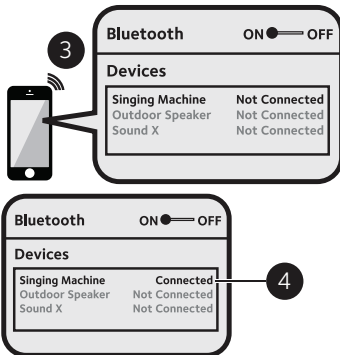
- 3 Turn on your device’s Bluetooth option in settings to search for a discoverable device with a Bluetooth signal. Select “**Singing Machine**” from the device results on the Bluetooth menu.

Note: Also refer to the user manual of your Bluetooth device for detailed instructions.

- 4 “bt” will light solid in the display and a successful pairing sound will be heard.

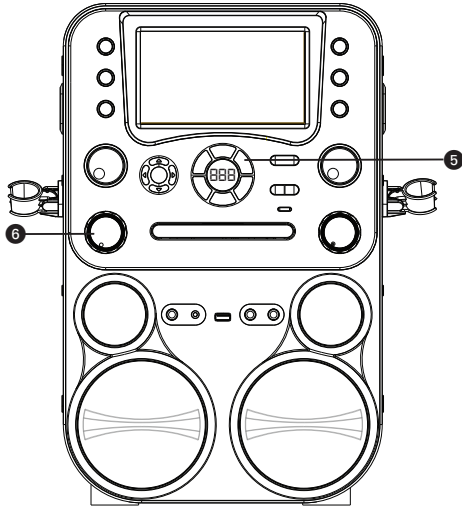
Notes:

- If your Bluetooth prompts you for a passcode during the pairing process, please enter “0000” to connect.
- On some Bluetooth devices, once pairing is complete, select your Bluetooth device as “Use as Audio Device” or similar.
- If connection is lost after successful pairing, check to make sure the distance between speaker and Bluetooth-enabled device does not exceed 30 feet/10 meters.
- “Bluetooth” will blink on TV screen, and will stop blinking after successful connection.



Operation

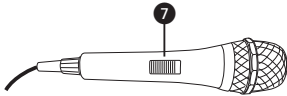
Using a Bluetooth Device (Continued)



5 To control your Bluetooth device from this unit, press the **Play/Pause ▶||** button to start playback. Press the **Play/Pause ▶||** button during playback to pause the song.

6 Adjust the volume to a comfortable level using the **MASTER VOLUME** control on this unit as well as the volume on your Bluetooth device.

7 Connect microphone(s) and slide the **ON/OFF** switch on the microphone to the ON position.



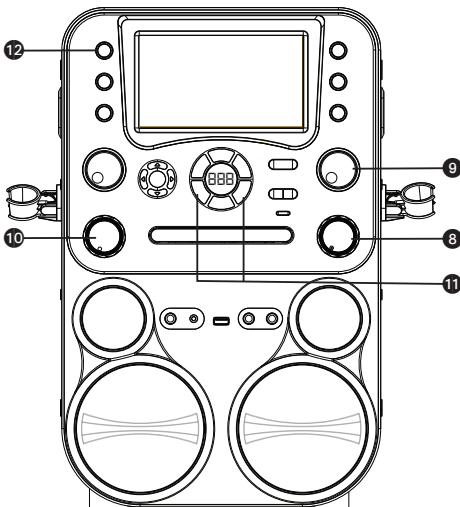
8 Adjust the **MIC VOLUME** control as desired. Increasing this control will increase the volume of both microphones.

9 Rotate the **ECHO** control to add an echo effect to your voice. Rotate towards MAX to increase the echo effect.

10 Adjust the balance between the speakers using the **BALANCE** control.

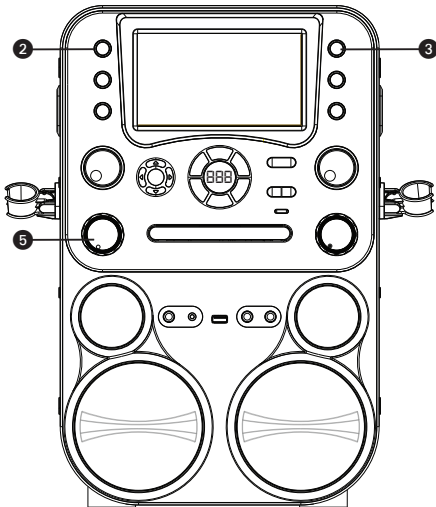
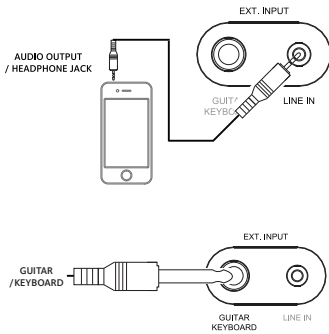
11 **SKIP:** Advance or go back one track by pressing the **Skip Back ◀◀/Skip Forward ▶▶** buttons.

12 Press the **STANDBY** button to turn the unit off.



Operation

Using the LINE IN Jack (Guitar or Keyboard)



1 Connect the unit as described previously.
GUITAR/KEYBOARD: Connect the Guitar or Keyboard to the GUITAR/KEYBOARD Ext. Input jack.
LINE IN: Connect a music player using a 3.5mm standard audio cable from the external unit's Audio Output/Headphone jack to the unit LINE IN Ext. Input jack.

2 Press the **STANDBY** button to turn the unit on.

3 Repeatedly press the **FUNCTION** button to select the LINE IN mode; "AU" will display and "LINE IN" will appear on the monitor.

4 Connect the external unit to the LINE IN Jack on the front of this unit. Connecting an external unit will allow the audio to be played through your Singing Machine.

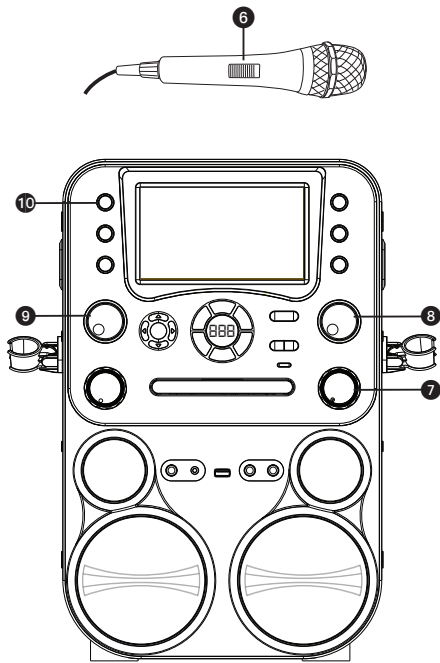
Notes:

- It is highly recommended to set the volume on the auxiliary unit to 1/3 or lower to avoid distortion.
- Skipping files/tracks is not possible on this unit when using an external device.

5 Adjust the volume using the **MASTER VOLUME** control on this unit or your external device's volume control.

Operation

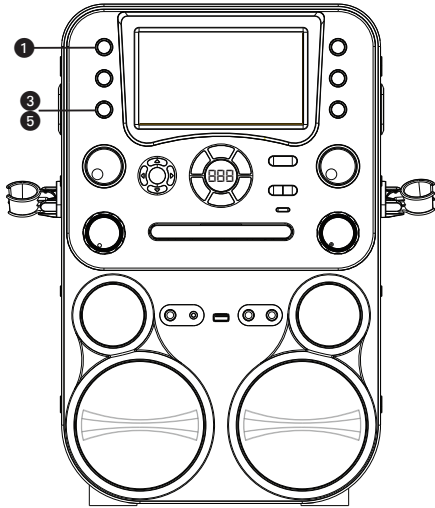
Using the LINE IN Jack (Guitar or Keyboard) (Continued)



- 6** Connect microphone(s) slide the **ON/OFF** switch on the microphone to the ON position.
- 7** Adjust the **MIC VOLUME** control as desired. Increasing this control will increase the volume of both microphones.
- 8** Rotate the **ECHO** control to add an echo effect to your voice. Rotate towards MAX to increase the echo effect.
- 9** Adjust the balance between the speakers using the **BALANCE** control.
- 10** Press the **STANDBY** button to turn the unit off.

Operation

Recording CDG/CD. Bluetooth to the USB



- 1 Connect the unit as described previously. Press the **STANDBY** button to turn the unit on.

RECORD CDG/CD MUSIC TO THE USB

- 2 Follow the “Playing a CDG” instruction to start the CDG/CD music playback.

- 3 Insert a USB flash drive into the USB port on the unit, press the **RECORD** button; OPEN FILE will appear on the monitor and recording will begin. When recording is finished, press the **RECORD** button again to stop.

RECORD BLUETOOTH MUSIC TO THE USB

- 4 Follow the “Using a Bluetooth Device” instruction to start the Bluetooth music playback.

- 5 Insert a USB flash drive into the USB port on the unit, press the **RECORD** button; OPEN FILE will appear on the monitor and RECORDING will start. When recording is finished, press the **RECORD** button again to stop.

- 6 All recorded music or recorded singing will be in the folder labeled REC, file name labeled TRK. Bluetooth music file labeled BT.

Note: You cannot record from the USB or Line in, only from a CD, CDG or Bluetooth.

Operation

Where to Download MP3+G Files

Helpful Hints:

The .mp3 and .cdg files are delivered for download in a single, compressed MP3+G.zip file. The MP3+G file cannot be played as a .zip file on a USB flash drive. To play karaoke songs using a USB flash drive, the MP3+G .zip file must be unzipped as follows:

- Connect a USB flash drive to your computer.
- Download the MP3+G file from your Digital Locker and save the .zip* file to a folder on your computer.
- Double click the .zip file to open the .zip (you will see the .mp3 and .cdg files).
- Drag and drop the .mp3 and .cdg files to the USB flash drive.
- Remove (eject) the USB flash drive from your computer.

Turn on the Singing Machine and connect the USB flash drive.

To purchase and download karaoke music, please visit <http://store.singingmachine.com> to access over 12,000 of your favorite karaoke songs. You will need a USB flash drive (not included) to transfer the downloads to this unit.

Follow these easy steps:

- 1 Go to <http://store.singingmachine.com> using your internet browser, and then register.
- 2 Select and purchase your favorite karaoke music from the Singing Machine Download Store.
- 3 Download your selected purchase(s) from the Singing Machine Digital Locker to your USB flash drive.
- 4 Insert the USB flash drive as shown on page 11 and enjoy!

Note: Your downloaded songs can also be burned to a blank CDR/CDRW.

FAQ

- Where can I get additional help with the file formats?

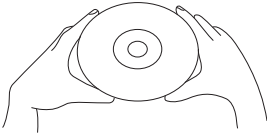
While on the Singing Machine Store's web page, simply click **FILE FORMATS** at the lower left.

The screenshot shows the Singing Machine Store website interface. At the top, there is a navigation bar with the Singing Machine logo, the text "presented by STINGRAY KARAOKE", a search bar with the placeholder "Q title, artist or lyrics", and "SIGN IN" and "SIGN UP" buttons. Below the navigation bar is a "BROWSE ALL" section. The main content area is titled "FEATURED PACKS SONGS ARTISTS" and "FEATURED PACKS" with the subtitle "Amazing song collections at the Best Value!". There is a "VIEW ALL PACKS" link on the right. The featured packs are displayed in a grid of six items, each with a cover image, title, volume, number of songs, and a price tag. Below the grid, there are three promotional banners: "NOW OPTIMIZED FOR TABLETS AND MOBILE!", "FREE SONGS!", and "SONG PACKS!". At the bottom, there are three tabs: "RECENT RELEASES", "TOP SONGS", and "TOP ARTISTS".

Product Name	Volume	Songs	Regular Price	Off Price
GREATEST LOVE SONGS	Volume 2	23 Songs	\$30.00	\$30.00
KARAOKE #HITS	Volumes 1-3	10 Songs	\$15.00	\$15.00
CLASSIC ROCK	Volume 3	10 Songs	\$15.00	\$15.00
ROCK ANTHEMS	Volume 2	10 Songs	\$15.00	\$15.00
MOTOWN CLASSICS	Volume 2	10 Songs	\$15.00	\$15.00
TOTALLY 80s	Volume 1	10 Songs	\$15.00	\$15.00

Care and Maintenance

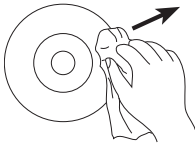
Care for Compact Discs



Treat the compact disc carefully. Handle the compact disc only by its edges. Never allow your fingers to come in contact with the shiny, unprinted side of the compact disc.



Do not attach adhesive tape, stickers, etc. to the compact disc label. Clean the compact disc periodically with a soft, lint-free, dry cloth. Never use detergents or abrasive cleaners to clean the compact disc. If necessary, use a CD cleaning kit.



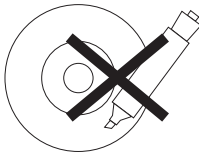
If a disc skips or gets stuck on a section of the compact disc, it is probably dirty or damaged (scratched).

When cleaning the compact disc, wipe in straight lines from the center of the compact disc to the outer edge of the compact disc. Never wipe in circular motions.



This unit is designed to play only compact discs bearing the identification logos as shown here. Other discs may not conform to the CD standard and may not play properly.

Compact discs should be stored in their cases after each use to avoid damage. Do not expose compact discs to direct sunlight, high humidity, high temperatures or dust, etc. Prolonged exposure or extreme temperatures can warp the compact disc.



Do not stick anything on either side of the compact disc. Also do not write on the shiny side of the disc, as sharp writing instruments, or the ink, may damage the surface.

Cleaning the Unit

To prevent fire or shock hazard, disconnect your unit from the AC power source when cleaning. The finish on your unit may be cleaned with a dust cloth and cared for as other furniture. Use caution when cleaning and wiping the plastic parts.

Troubleshooting Guide

Should this unit exhibit a problem, check the following before seeking service:

No Power

- Power is not on; press the **STANDBY** button to turn power on.
- Make sure the unit is connected to AC power.

No Sound – General

- Master Volume is set to minimum; raise volume.
- Correct Function was not selected; select using the FUNCTION button.

No Sound – If connected to a TV

- Volume on the TV is muted or too low.
- White and red audio plugs are not connected properly; see page 5.
- Correct source (usually AV) was not selected in the TV's menu.

CD is not working properly.

- No disc inserted, or disc inserted upside down; insert disc correctly.
- Make sure to use a CD, CD+G, or when downloaded music has been burned, ensure the disc is a CDR or CDRW.
- Lens is dirty. Disconnect the power and clean the lens with a CD lens cleaner.
- Moisture has formed. Turn the unit off, unplug the unit from the outlet and allow 20-30 minutes to dry.

No sound from the microphone.

- Make sure it is firmly connected to the MIC1 or MIC2 jack.
- Make sure the ON/OFF switch on the microphone is set to the ON position.
- Make sure the MIC VOLUME control is not on the lowest setting.
- MASTER VOLUME is set to minimum; raise volume.

File(s) on USB jack not playing.

- The file is corrupted; replace file.
- The file is not in a format this unit will play.
- The connected USB device is not supported by the product.

The Bluetooth device cannot be paired or connected with the unit.

- You have not activated the Bluetooth function of your device; see page 15 or refer to the Bluetooth device's user manual.
- The unit is not in pairing mode; see page 15 to pair.

The Music playback is not available on the unit after successfully connecting the Bluetooth.

- Ensure your Bluetooth device can support the A2DP Bluetooth profile.

Specifications

AUDIO

Output Power (Maximum)..... 20W (RMS)
Output Impedance..... 6 Ohms

CD PLAYER

Frequency Response..... 100 Hz-20 KHz
Signal to Noise Ratio..... 50 dB
Sampling System..... 8 Times Oversampling
Disc Diameter..... 4.72" (120 mm)/ 3.15" (80 mm) Single CD

BLUETOOTH

Bluetooth Version V2.1 + EDR
Working Distance..... Up to 10 meters measured in open space

GENERAL

Power AC 100-240 V, 50/60 Hz
Dimensions..... 11.85 x 9.35 x 18.65 inches / 301.0 x 237.5 x 473.8 mm
Weight 11.57 lbs / 5.25 kg (with accessories)
Microphone..... -68 dB 600 Ohms impedance with 6.3 mm Dynamic Microphone
Power DC12V, 3A Center Positive Adapter
USB..... Supports USB Flash up to 32 GB

Specifications are subject to change without notice.

The Bluetooth® word mark and logos are registered trademarks owned by Bluetooth SIG, Inc. and any use of such marks by The Singing Machine Company is under license. Other trademarks and trade names are those of their respective owners.

Visit Our Website: www.singingsmachine.com

The Singing Machine Company, Inc.
4060 E Jurupa Street, Unit B
Ontario, CA 91761-1413 USA

PRINTED IN CHINA
890BT-1708-ENG01