



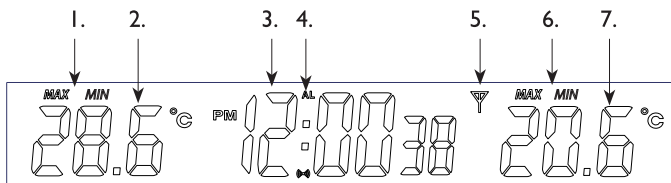
Digital Indoor/Outdoor Thermometer with Alarm

2 – 8

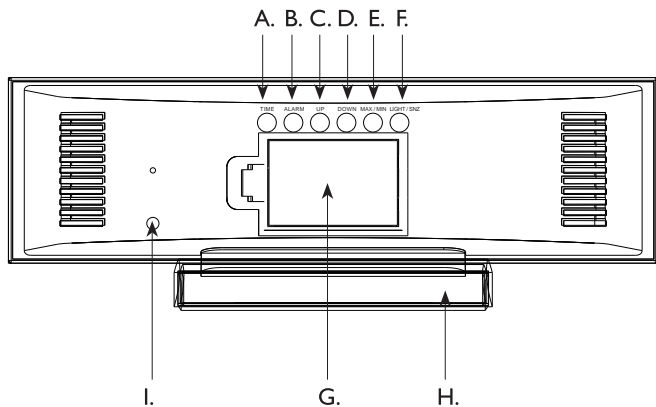
Thermomètre intérieur/extérieur numérique avec alarme

9– 15

Monitor LCD



Monitor Back



Digital Indoor / Outdoor Thermometer with Alarm

Monitor:

1. Min/max indoor temperature
2. Indoor temperature
3. Time
4. Alarm
5. Transmission signal
6. Min/max outdoor temperature
7. Outdoor temperature

- A. Time button
- B. Alarm button
- C. Up button
- D. Down button
- E. Max/min button
- F. Light/Snz button
- G. Battery compartment (3 x AAA batteries, not included)
- H. Stand
- I. Adapter port (Adapter included)

Outdoor Sensor:

- J. Battery compartment (2 x AAA batteries, not included)

Outdoor Sensor/
Capteur extérieur :



1.0 Care of the Device

Damage caused by failure to comply with this instruction manual will invalidate any warranty. The manufacturer and supplier will not be held liable for any damages due to failure to comply with this product. In case of harm or damage to a person or property caused by improper handling or failure to comply with this instruction manual, the manufacturer and supplier cannot be held liable.

- Avoid exposing units to extreme temperatures or severe shock.
- Avoid contact with any corrosive materials such as perfume, alcohol or cleaning agents.
- Do not subject the units to excessive force, shock, dust, temperature or humidity. Any of these conditions may shorten the life of the units.
- Do not tamper with any of the internal components of these units. This will invalidate the warranty and may cause damage.
- The outdoor sensor is designed to be splash proof; never immerse into water or expose to heavy rain.
- This product is not to be used for medical purpose or for public information.

1.1 Correct Usage of Batteries

- Do not mix standard and rechargeable batteries.
- Do not mix new and old batteries.
- When the backlight starts to appear dimmer on the display replace all batteries in the monitor with new ones. When the outdoor temperature doesn't appear on the display replace all batteries in the outdoor sensor with new ones.
- Do not leave discharged batteries in the device as these may corrode and release chemicals that may damage the unit.

2.0 Content List

- 1 Indoor Monitor
- 1 Outdoor Sensor
- 1 4.5V DC Adapter
- Instruction manual

2.1 Setup Procedure

1. Insert adapter into the wall outlet then into the monitor or insert 3 AAA batteries (not included) into the monitor. The monitor will light up and display indoor temperature and time. The transmission signal ▼ will flash on the monitor indicating it is ready to receive a signal from the outdoor sensor.
2. Remove the battery compartment from the outdoor sensor using a Phillips screwdriver. Insert 2 new AAA batteries (not included) into the outdoor sensor, observing the correct polarity.
3. Keep the outdoor sensor and monitor close together to establish a good connection.
4. Within 2 minutes the outdoor temperature should be displayed on the monitor. If the outdoor temperature is not displayed within 2 minutes remove power from the outdoor sensor and the monitor for 1 minute and start again from step 1.

5. Position the monitor and outdoor sensor within effective transmission range, which in usual circumstances is 30 meters (100 feet). The range is affected by the building materials and where the monitor and remote sensor are positioned; try various locations for the best results.

2.2 Environmental Reception Effects

With all wireless devices, the receiving ability may be affected by, but not limited to, the following, therefore for best accuracy avoid the following situations:

- Long transmitting distance
- Nearby mountains and valleys
- Among tall buildings
- Near railway, high voltage cable, etc.
- Near freeway, airport, etc.
- Near construction site
- Inside concrete buildings
- Near electrical appliances
- Bad weather
- Inside moving vehicles
- Nearby metallic structures

2.3 Troubleshooting

If the outdoor temperature cannot be received, check:

1. The distance between the monitor or outdoor sensor should be at least 1.2 meters (4 feet) away from any interfering sources such as computer monitors or TV sets.
2. Avoid placing the monitor onto or in the immediate proximity of metal window frames.
3. Using other electrical products such as headphones or speakers operating on the same frequency (433MHz) may prevent correct signal transmission and reception.
4. Neighbors using electrical devices operating on the 433MHz signal frequency can also cause interference.
5. Signals from other household devices, such as door bells and home security systems, may temporarily interfere with the units and cause reception failure. The transmission and reception of temperature reading will resume once the interference has stopped.

The maximum transmission range is 30 meters (100 feet) from the remote sensor to the monitor (in open space). However, this depends on the surrounding environment and interference levels. The temperature signal travels in a straight line from the remote sensor to the monitor. The signal will not curve around an object. If no reception is possible, despite the observation of these factors, all units will have to be reset.

3.0 Installing the Monitor

The monitor can be placed on any flat surface.

3.1 Installing the Outdoor Sensor

To prevent temperature interference, place the outdoor sensor outside away from direct sunlight, and rain. The outdoor sensor is designed to be splash proof; never immerse into water or expose to heavy rain.

NOTE: The temperature signal travels in a straight line from the outdoor sensor to the monitor. The signal will not curve around an object. Please take this into consideration when mounting the outdoor sensor.

The outdoor sensor can be placed on any flat surface or mounted on a wall outside. To mount on a wall you can use adhesive strips or nails.



— Wall Mount

— Stand

4.0 Manual Time Setup

The time default is 0:00

1. To set the time, press and hold the **TIME** button until the hour digit begins to flash.
2. Press the **UP or DOWN** button to set the correct hour.
3. Press the **TIME** button to set.
4. Next the minute digits will flash, press the **UP or DOWN** button to set the correct minutes.
5. Press the **TIME** button to set.
6. The default is 24 hours, to change the time from 24 hour format to 12 hour format press the **UP** button when in normal mode.

5.0 Setting the Alarm

1. To set the alarm, press and hold the **ALARM** button until the hour digit begins to flash.
2. Press the **UP or DOWN** button to set the correct hour.
3. Press the **ALARM** button to set.
4. Next the minute digits will flash, press the **UP or DOWN** button to set the correct minutes.
5. Press the **ALARM** button to set.
6. Once the alarm is set the monitor will go back to normal mode.

5.1 Activating and Deactivating the Alarm

1. To activate the alarm, press the **ALARM** button, the alarm time will be displayed.
2. Press the **UP** button, the  will display to show the alarm has been activated.
3. To deactivate the alarm, while the alarm time is displayed press the **UP** button until the  is no longer displayed on the monitor.

- When the alarm sounds press the **LIGHT/SNZ** button (on front or back of monitor), the alarm will sound again in 5 minutes.
- To turn the alarm off press the **ALARM** button when the alarm sounds.

6.0 Maximum and Minimum Memory

- Press the **MAX/MIN** button once to display the maximum indoor and outdoor temperature readings. Press the **MAX/MIN** button again to display the minimum indoor and outdoor temperature readings.
- To clear the memory, press and hold the **MAX/MIN** button for 3 seconds. This will reset the memory to the current temperature readings being displayed on the monitor.

7.0 Backlight

When using the adapter the backlight is on continuously.

When using batteries, press the **LIGHT** button to turn on the backlight.

8.0 Specifications

Temperature Measuring Range	
Indoor (Monitor)	-10°C to 50°C (14°F to 122°F)
Outdoor (Sensor)	-30°C to 60°C (-22°F to 140°F)
Temperature checking Interval	
Indoor	60 seconds
Outdoor	60 seconds
Temperature Accuracy	
	+/- 2°C (+/- 4°F)
Power Source	
Monitor	3 x AAA batteries, 1.5V (not included) or Adapter 4.5V (included)
Outdoor sensor	2 x AAA batteries, 1.5V (it is recommended to use Lithium batteries during the cold months)

9.0 Two Year Warranty

If this product proves to be defective in material or workmanship within two years of purchase, please return it to the address below. It will be repaired or replaced without charge upon receipt of the unit prepaid with \$5.00 to cover handling, packaging and return postage. Please include proof of purchase, your full name, address, daytime phone number or email address.

This warranty does not apply if the defect or malfunction is a result of user abuse, misuse, alteration, modification or damages in transit.

Thermor Ltd.
16975 Leslie Street
Newmarket, ON L3Y 9A1
1-800-387-8520

10.0 Industry Canada/FCC Statement

Operation is subject to the following two conditions: (1) this device may not cause interference, and (2) this device must accept any interference, including interference that may cause undesired operation of the device.

WARNING: Changes or modifications to this unit not expressly approved by the party responsible for compliance could void the user's authority to operate the equipment.

NOTE: This equipment has been tested and found to comply with the limits for a Class B digital device, pursuant to Part 15 of the FCC Rules. These limits are designed to provide reasonable protection against harmful interference in a residential installation. This equipment generates, uses and can radiate radio frequency energy and, if not installed and used in accordance with the instructions, may cause harmful interference to radio communications.

However, there is no guarantee that interference will not occur in a particular installation. If this equipment does cause harmful interference to radio or television reception, which can be determined by turning the equipment off and on, the user is encouraged to try to correct the interference by one or more of the following measures:

- Reorient or relocate the receiving antenna.
- Increase the separation between the equipment and receiver.
- Connect the equipment into an outlet on a circuit different from that to which the receiver is connected.
- Consult the dealer or an experienced radio/TV technician for help.