

EXHIBIT D

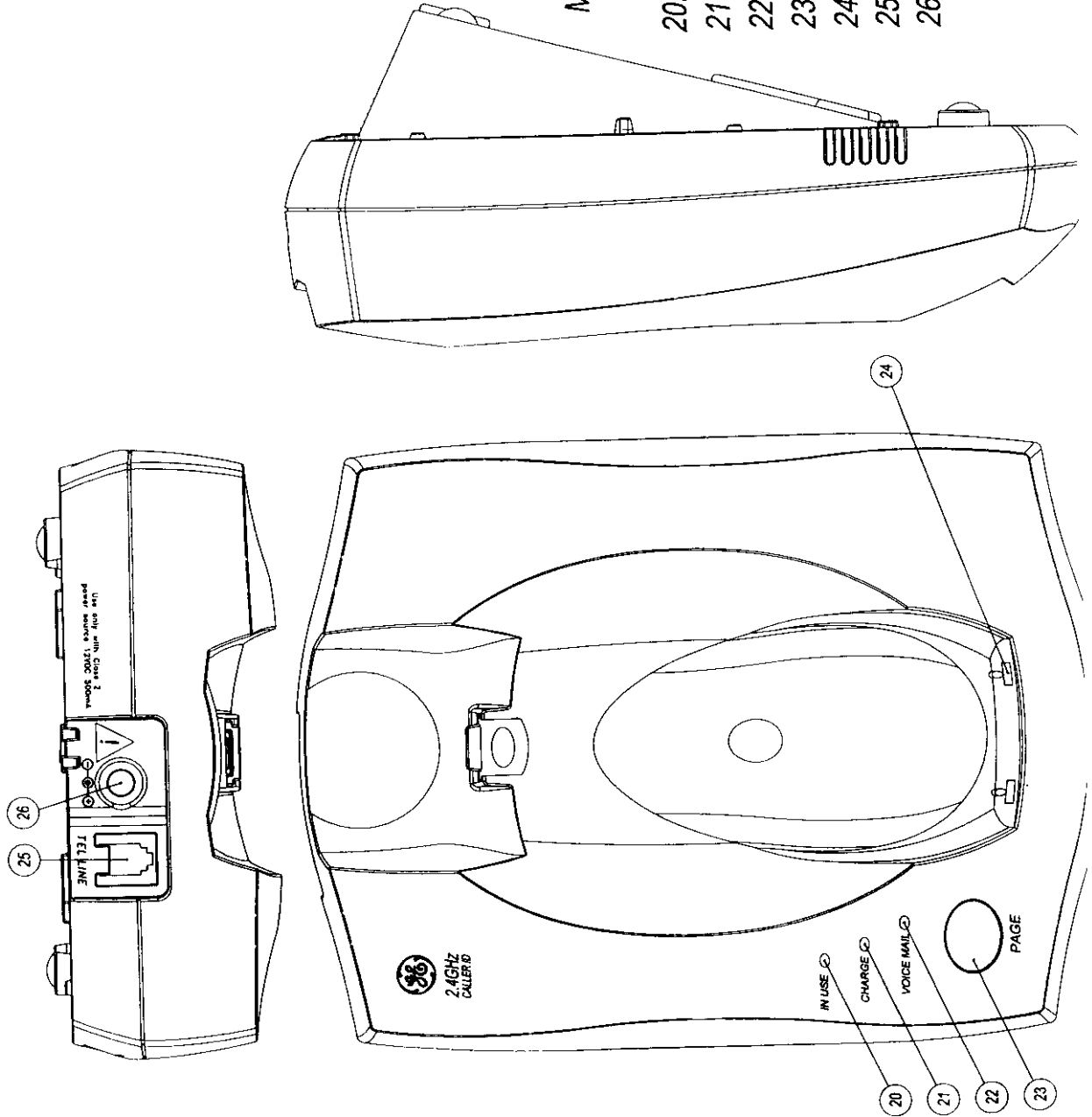
USER MANUAL

1-4. INSTRUCTION MANUAL

- OWNER'S GUIDE
- TEST METHOD
- DESCRIPTION OF CIRCUIT FUNCTION

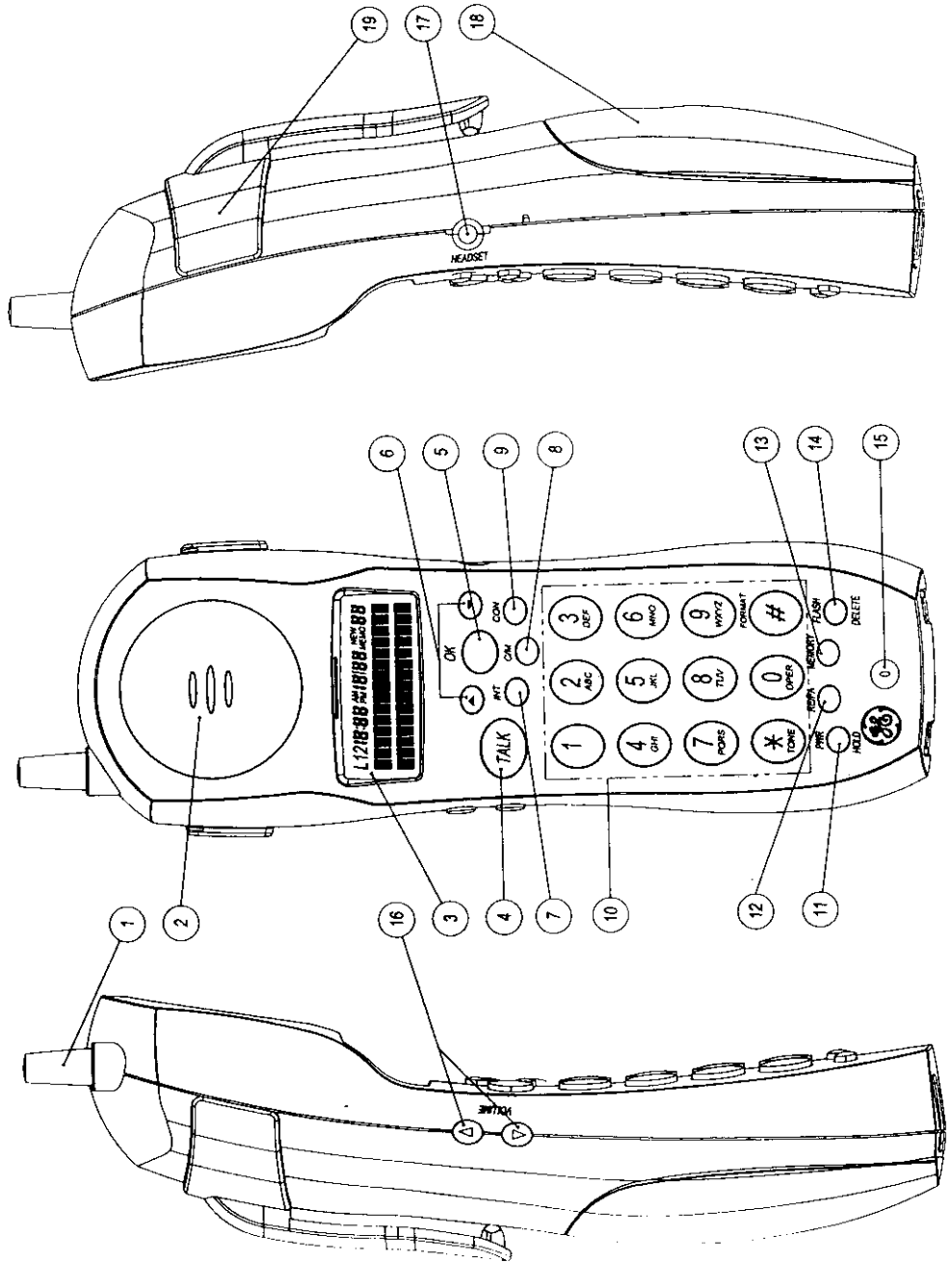
MODEL : 27730GE

- 20. In-use LED indicator
- 21. Charge LED indicator
- 22. Voice mail LED indicator
- 23. Page/Find Handset
- 24. Charging contacts
- 25. Telephone line cord socket
- 26. Power supply socket - 12V DC



MODEL : 27730GE

1. Antenna
2. Earpiece
3. LCD display
4. Talk
5. Confirmation of programming
6. Menu access & scroll
7. Internal call
8. Call/Mute
9. Conference
10. Keypad digits
11. Handset ON or OFF / Hold
12. Recall / Pause
13. Memory
14. Flash/Delete
15. Microphone
16. Volume increase/decrease on call
17. Headset socket
18. Door, battery
19. Belt, clip



MODEL : 27730GE

- 28. Charging contacts
- 29. Charge LED indicator

