

# Thrane IP Handset



# Thrane IP Handset

## User Manual

**Document number:** 98-126059-C

**Release date:** June 25, 2008

## Disclaimer

Any responsibility or liability for loss or damage in connection with the use of this product and the accompanying documentation is disclaimed by Thrane & Thrane. The information in this manual is provided for information purposes only, is subject to change without notice, may contain errors or inaccuracies, and represents no commitment whatsoever by Thrane & Thrane. This agreement is governed by the laws of Denmark.

Manuals issued by Thrane & Thrane are periodically revised and updated. Anyone relying on this information should satisfy himself/herself as to the most current version. Providers with access to Thrane & Thrane's Extranet may obtain current copies of manuals at: <http://extranet.thrane.com>.

Thrane & Thrane is not responsible for the content or accuracy of any translations or reproductions, in whole or in part, of this manual from any other source.

**Copyright** © 2008 Thrane & Thrane A/S. All rights reserved.

## Trademark Acknowledgements:

- **Thrane & Thrane** is a registered trademark of Thrane & Thrane A/S in the European Union and the United States.
- **Windows** and **Outlook** are registered trademarks of Microsoft Corporation in the United States and other countries.
- **Inmarsat** is a registered trademark of International Maritime Satellite Organisation (IMSO) and is licensed by IMSO to Inmarsat Limited and Inmarsat Ventures plc.
- Inmarsat's product names are trademarks or registered trademarks of Inmarsat.
- Other product and company names mentioned in this manual may be trademarks or trade names of their respective owners.

## **Safety Summary**

The following general safety precautions must be observed during all phases of operation, service and repair of this equipment. Failure to comply with these precautions or with specific warnings elsewhere in this manual violates safety standards of design, manufacture and intended use of the equipment. Thrane & Thrane A/S assumes no liability for the customer's failure to comply with these requirements.

### **DO NOT OPERATE IN AN EXPLOSIVE ATMOSPHERE**

Do not operate the IP Handset in the presence of flammable gases or fumes. Operation of any electrical equipment in such an environment constitutes a definite safety hazard.

### **KEEP AWAY FROM LIVE CIRCUITS**

Operating personnel must not remove equipment covers. Component replacement and internal adjustment must be made by qualified maintenance personnel. Do not replace components with the cable connected. Always disconnect power and discharge circuits before touching them.

---

# About the Manual

## Intended Readers

This manual is a user manual for the Thrane IP Handset. The readers of the manual include anyone who is using or intends to use the IP Handset. No specific skills are required to operate the IP Handset. However, it is important that you observe all safety requirements listed in the beginning of this manual, and operate the handset according to the guidelines in this manual.

## Manual Overview

This manual has the following chapters:

- **Introduction** contains an overview and a brief description of the IP Handset.
- **Getting started** explains how to connect and start up the handset and gives an overview of the display and keypad. It also contains a short guide to initial configuration and to making the first call.
- **Operating the IP Handset** describes how to use and configure the handset and explains the display menus.
- **Using the web server** explains how to use the built-in web server of the IP Handset.
- **Troubleshooting** contains a short troubleshooting guide and gives information on where to get further help if needed.

This manual may not always reflect the latest software functionality of your IP Handset. To obtain the latest version of the manual, please enter the Thrane & Thrane Extranet and download the latest version, or acquire it from your distributor.

---

## Typography

In this manual, typography is used as indicated below:

**Bold** is used for the following purposes:

- To emphasize words.  
Example: “Do **not** touch the antenna”.
- To indicate what the user should select in the user interface.  
Example: “Select **Settings > Display**”.

**Italic** is used to emphasize the paragraph title in cross-references.

Example: “For further information, see *Connecting Cables* on page...”.

**COURIER** is used to indicate display text.

Example: “The display shows **39558880**”.

---

# Table of Contents

---

	<b>Safety Summary</b> .....	iii
	<b>About the Manual</b> .....	iv
<b>Chapter 1</b>	<b>Introduction</b>	
	<b>Welcome</b> .....	1
	<b>In this chapter</b> .....	1
	<b>Your IP Handset</b> .....	2
	Description .....	2
	The wired IP handset .....	3
	The wireless IP handset .....	4
	<b>Features</b> .....	5
	<b>What's next?</b> .....	5
<b>Chapter 2</b>	<b>Getting started</b>	
	<b>In this chapter</b> .....	7
	<b>Getting started with the wired IP Handset</b> .....	8
	Introduction .....	8
	Connectors .....	8
	Connecting the cables to the IP cradle .....	9
	Installing the cradle .....	11
	Connecting the wired handset to a BGAN terminal .....	12
	Starting up the wired IP Handset .....	13
	<b>Getting started with the wireless IP Handset</b> .....	14
	Introduction .....	14
	Preparing the hardware .....	15
	Charging the handset .....	18
	Connecting the handset to your wireless access point .....	20



- Establishing a connection using BGAN terminal** ..... 21
- Using a BGAN terminal ..... 21
- Establishing a connection .....22
- Connecting subsequent handsets to the BGAN terminal .....24
- Making the first call** .....26
- The handset keypad and display** .....27
- The keypad .....27
- The display .....33
- What's next?** .....38

**Chapter 3      Operating the IP Handset**

- In this chapter** .....39
- User interfaces** .....39
- Handset functions** ..... 40
- Making calls ..... 40
- Making a call using a BGAN terminal .....43
- Quick settings .....45
- Writing text in the handset .....47
- Using a headset .....48
- The menu system** .....49
- Accessing the menu system .....49
- Menu overview ..... 50
- Call log ..... 51
- Contacts .....53
- Status .....55
- Network .....56
- Settings .....63
- SIP .....70
- BGAN .....74
- What's next?** .....75

**Chapter 4      Using the web server**

- In this chapter** .....77

	<b>Introduction</b> .....	77
	The web server .....	77
	Browser settings .....	77
	Accessing and navigating the web server .....	79
	<b>Pages in the web server</b> .....	81
	The Home page .....	81
	Contacts .....	82
	Call log .....	83
	SIP settings .....	84
	Uploading firmware .....	86
	Import/Export settings .....	87
	Help .....	89
	<b>What's next?</b> .....	90
<b>Chapter 5</b>	<b>Troubleshooting</b>	
	<b>In this chapter</b> .....	91
	<b>Getting support</b> .....	91
	<b>Troubleshooting guide</b> .....	92
<b>App. A</b>	<b>Technical specifications</b>	
	<b>In this appendix</b> .....	93
	<b>Thrane IP Handset, wired</b> .....	93
	Specifications, wired handset .....	93
	Outline dimensions, wired handset .....	95
	<b>Thrane IP Handset, wireless</b> .....	97
	Specifications, wireless handset .....	97
	Outline dimensions, wireless handset .....	99
	<b>Thrane IP cradle outline dimensions</b> .....	101
<b>App. B</b>	<b>Conformity</b>	

<b>Thrane IP Handset, wired</b> .....	103
CE (R&TTE) .....	103
FCC .....	103
<b>Thrane IP Handset, wireless</b> .....	105
CE (R&TTE) .....	105
FCC .....	105
FCC/IC Notice .....	106
<b>Glossary</b> .....	109
<b>Index</b> .....	113

## *Introduction*

### Welcome

Congratulations on the purchase of your IP Handset!

The IP Handset communicates using Voice over Internet Protocol (VoIP), which means that voice conversations are routed over the Internet or through an IP-based network.

There are two variants of the IP handset: A wired and a wireless variant.

### In this chapter

This chapter introduces the IP Handset and gives an overview of its features and functions.

## Your IP Handset

### Description

The IP Handset is used for making phone calls over an IP based network. When used with a BGAN terminal, the communication is only IP based between the handset and the BGAN terminal. From the BGAN terminal, the call is transmitted as a normal circuit-switched call.

The handset is designed specifically for use in harsh environments and it is dust proof and splash proof.

Excellent sound quality is achieved by including a state-of-the-art echo canceller and noise suppression software.

On the large 2.2" color TFT screen, a graphical user interface provides easy access to all functions including contacts and settings. The user interface also provides direct access to certain features of a connected BGAN terminal.

There are two variants of the handset: A wired model and a wireless model.



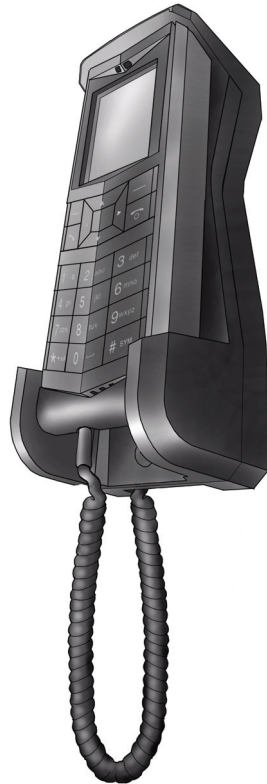
## The wired IP handset

The wired handset is powered directly from the LAN interface using Power over Ethernet (PoE), so an external power supply is not needed.

The TT-3670A Thrane IP Handset, wired, includes the following main units:

- TT-3672A Thrane IP Handset, wired
- TT-3674A Thrane IP cradle, wired

The IP Handset connects to the cradle with a coil cord. The cradle connects with a fixed LAN cable to a LAN port with PoE, for example in a BGAN terminal (Broadband Global Area Network) for satellite communication.



## The wireless IP handset

The wireless IP handset connects to a wireless access point using Wireless Local Area Networking (WLAN).

The internal battery is charged from the dedicated cradle, which connects to an external power supply (12-24 V DC).

The TT-3670B Thrane IP Handset & Cradle, wireless, includes the following main units:

- TT-3672B Thrane IP Handset, wireless
- TT-3674B Thrane IP cradle, wireless



## Features

The IP Handset offers the following features:

- Voice communication over Internet or IP based network
- Contacts list with up to 100 entries
- Intuitive user interface and menu system
- Built-in web interface
- High quality color display QVGA
- Rugged but elegant design
- Splash proof and dust proof
- Connectivity to Broadband Global Area Network (BGAN) terminal
- Dedicated menu for BGAN terminals

## What's next?

This chapter has provided an overview of the IP Handset.

The next chapters will go into more detail about how to set up and use your handset. The following chapter, *Getting started*, explains how to start up the handset and make the first call.





## *Getting started*

### **In this chapter**

This chapter describes how to install and start up the handset and make the first call. It also gives an overview of the display and keypad and explains how to navigate with the keypad.

# Getting started with the wired IP Handset

## Introduction

The wired IP Handset connects to the cradle with a coil cord. The cradle connects with a fixed LAN cable to a LAN port with PoE, for example in a BGAN terminal. The IP Handset is powered directly from the LAN (PoE) interface.



## Connectors

### *IP Handset connectors*

The IP Handset has a coil cord with a LAN connector for connecting to the cradle or directly to a LAN (PoE) interface.

The handset also has two connectors on the side of the handset:

- one connector for connecting a headset.
- one Mini-USB connector.

**Note**

These two connectors are currently not functional.

## IP cradle connectors

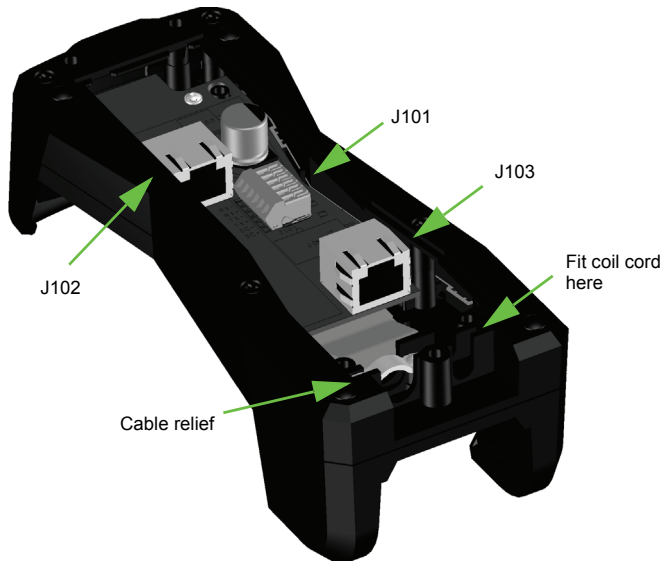
The cradle for the IP handset has two internal LAN connectors and an alternative terminal block for the LAN connection:

- One LAN connector connects to the coil cord from the IP Handset.
- The other LAN connector, or alternatively the terminal block, connects to your LAN cable between the cradle and the BGAN terminal.

## Connecting the cables to the IP cradle

Do as follows:

1. Remove the two screws holding the center cover in the bottom of the cradle and take off the cover.



2. Connect the coil cord from the IP Handset to the cradle connector marked J103. Then fit the cable relief mounted on the coil cord into the groove at the cradle exit.
3. To mount the external LAN cable, do one of the following:

- Connect a standard LAN cable to the connector marked J102 in the cradle. This is the cable for connecting to the BGAN terminal or other LAN (PoE) interface.

**Important**

The space between the cable LAN connector and the PCB is very scarce - make sure the housing of the cable connector is not too thick to allow for the connectors to fit properly.

- Connect the wires of a LAN cable to the terminal block marked J101. The text next to the terminal block indicates which signal goes where.
4. Mount cable relief at the cable exit from the cradle.

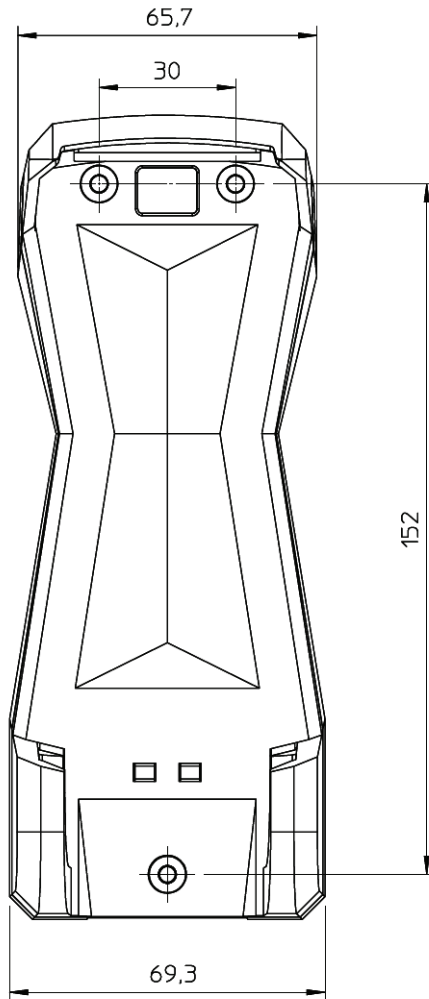
**Note**

Make sure the cable relief matches the size of the cable.

5. Mount the cover and fasten the two screws.

## Installing the cradle

Mount the cradle on a wall or a desktop with 3 screws fitting in the holes indicated in the drawing below (front view).



## Connecting the wired handset to a BGAN terminal

**Note**

The LAN interface on the BGAN terminal must supply Power over Ethernet.

Do as follows:

1. Start up the BGAN terminal as described in the user manual for the terminal.
2. Connect the LAN cable from the IP cradle to one of the LAN (PoE) connectors on the BGAN terminal.

The cable between cradle and terminal must be maximum 80 m.

**Note**

If you insert a switch or similar between the cradle and the terminal, make sure that it conforms to the industry PoE standard **IEEE 802.3 af (using data pairs)**.

The handset starts up automatically when connected to the BGAN terminal. However, you may have to configure user name and password if the handset has not been connected before. For further information, see *Establishing a connection using BGAN terminal* on page 21.

## Starting up the wired IP Handset

### To switch on the IP Handset

The wired IP Handset is automatically powered when it is connected to a LAN interface with PoE.

If the handset has been switched off, you can switch it back on by pressing and holding the on hook key until the display lights up.



If the handset does not start up, the reason may be that there is no PoE in the LAN interface. If you are connecting to a BGAN terminal, check that the PoE indicator on the terminal lights green for the connected port. For further information, refer to the installation manual for the BGAN terminal.

**To switch off** the IP Handset, press and hold the on hook key again until the display is turned off.



# Getting started with the wireless IP Handset

## Introduction

### Overview

The wireless IP handset connects to a wireless access point, which is connected to a BGAN terminal or other IP connection. The internal battery is charged from the dedicated cradle connected to an external power supply.

