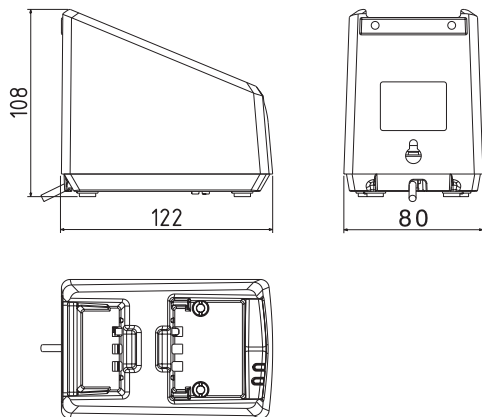
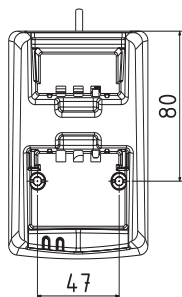


Dimensional drawing, chargers

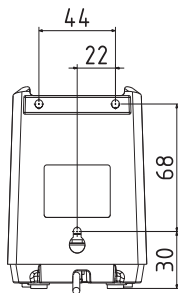


Mounting Possibilities

Desktop mounting, top view



Wall mounting, rear view



Thrane & Thrane

Thrane & Thrane A/S

Declaration of Conformity with R&TTE Directive

The undersigned of this letter declares that the following equipment complies with the specifications of EC directive 1999/5/EC concerning Radio & Telecommunications Terminal Equipment.

Equipment included in this declaration

SAILOR SP3550	Portable UHF radiotelephone	PN = 623550A
SAILOR B3502	Rechargeable Li-Ion Battery	PN = 403502A
SAILOR CH3507	Battery Charger	PN = 403507A
SAILOR CH3508	Dual Battery Charger	PN = 403508A
	AC/DC Adapter	PN = 88-125538

Equipment Applicability

SAILOR SP3550 is a simplex/semi-duplex handheld UHF radiotelephone designed for maritime & landmobile communication within the frequency range 440 MHz to 470 MHz.

Declaration

The requirement with respect to the LVD directive 73/23/EC is met by conforming to the harmonized EU standard EN 60950. The protection requirement with respect to the EMC directive 89/336/EC is met by conforming to the harmonized EU standard EN 60945. Effective use of frequency spectrum is met by conforming to the harmonized EU standard ETSI EN 300 720 and EN 300 086.

Manufacturer

Thrane & Thrane A/S Lundtoftegårdsvej 93D, DK-2800 Kgs. Lyngby, Denmark
Porsvej 2, DK-9200 Aalborg SV, Denmark

Place and Date

Aalborg, 8. January 2008



Chief Financial Officer
Svend Åge Lundgaard Jensen



Doc. no TT99-125716-C

Thrane & Thrane A/S • Lundtoftegårdsvej 93D • DK-2800 Kgs. Lyngby • Denmark
T +45 39 55 88 00 • F +45 39 55 88 88 • info@thrane.com • www.thrane.com
Bank: Danske Bank • Comp. reg.: 65 72 46 18 • VAT: DK-20 64 64 46



Attention

Goretex Membran

To keep the UHF watertight, it is very important that the goretex membran behind the label under no circumstances must be damaged or removed.



TT-98-124308-B Issue: B/0740