



Timelink Note

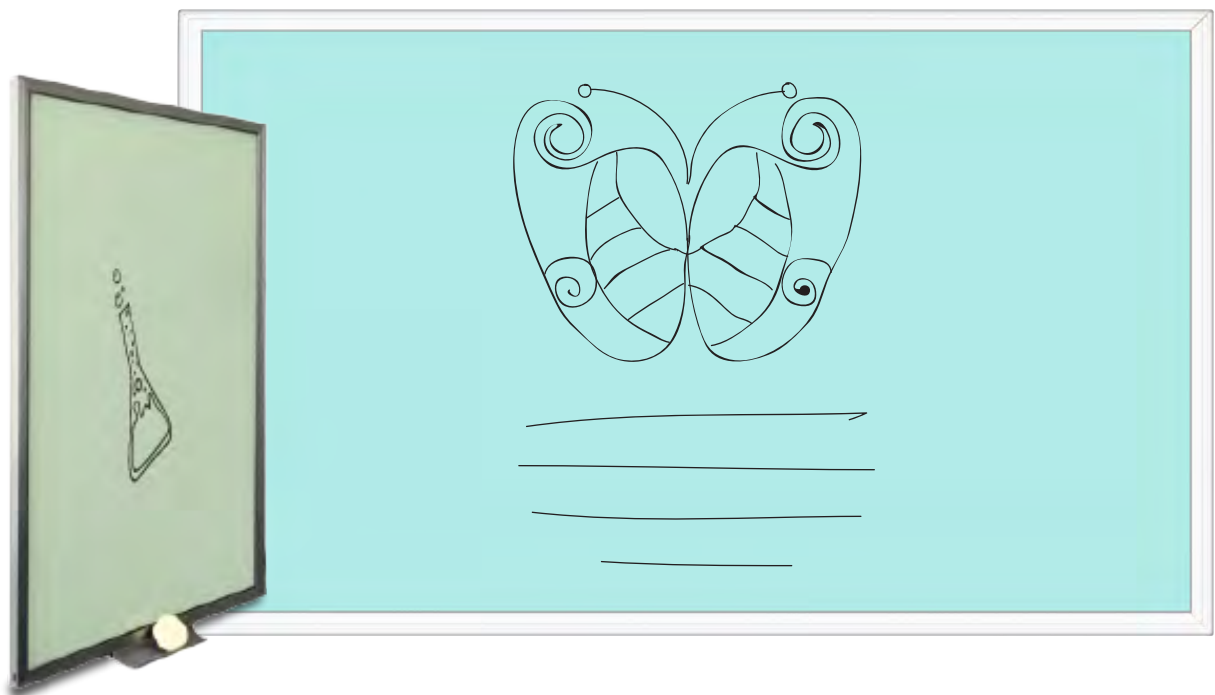
User Guide

For Timelink Note Version 1.0

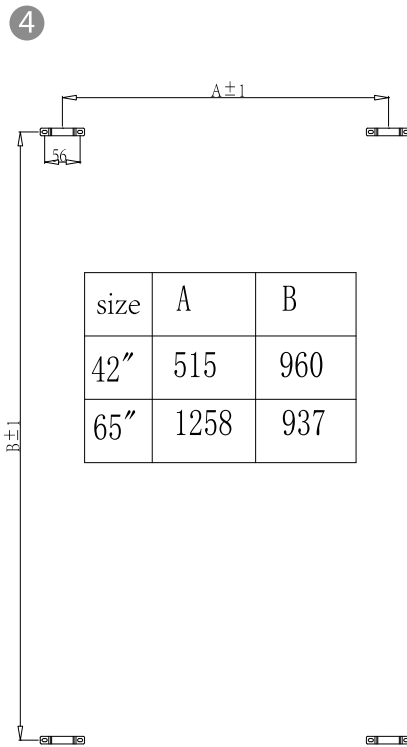
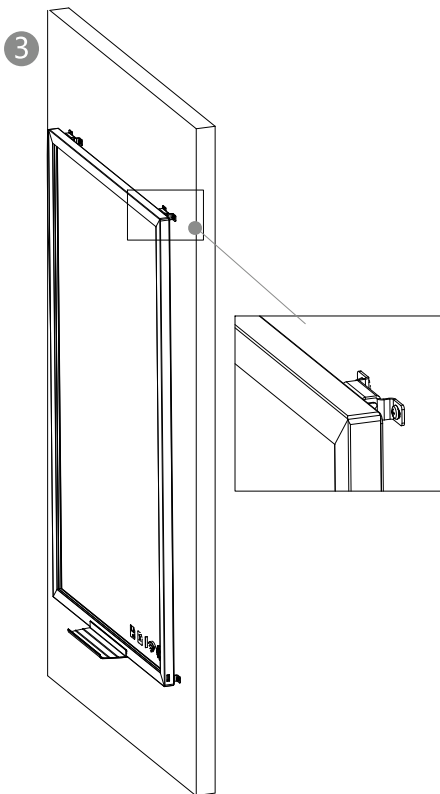
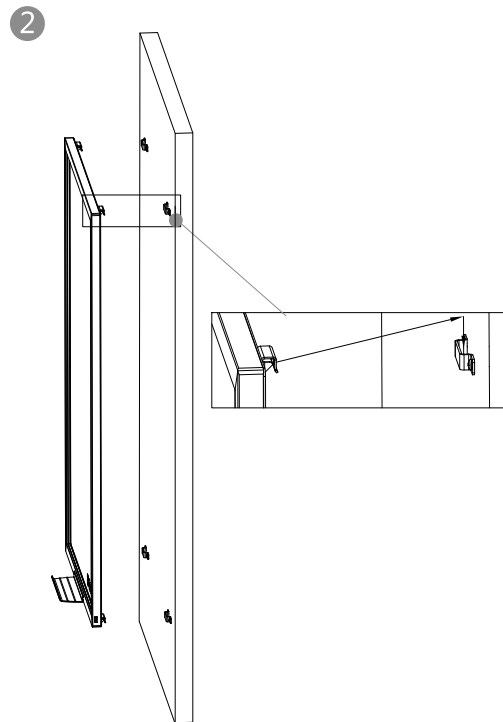
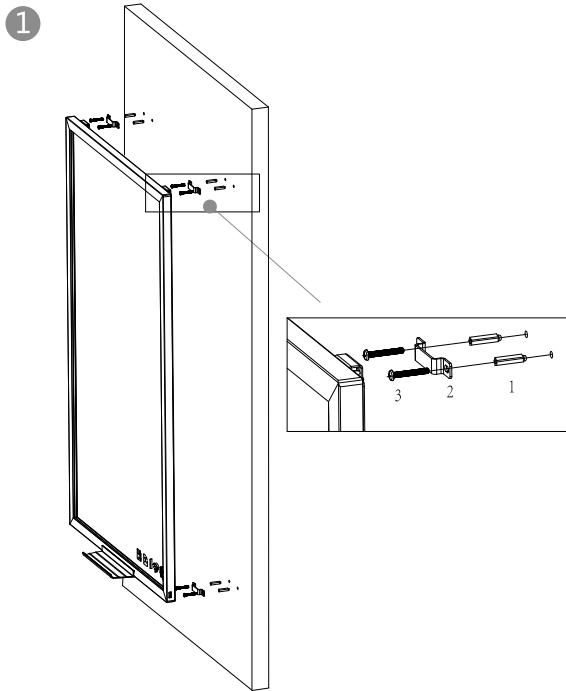
TimeLink Note Overview

TimeLink Note provides a solution that makes the traditional green board intelligent. Connecting the Note software with the hardware through Wifi or USB, it can not only save the original writing on board into the smart device in real time, but also can edit and share the contents on the smart device. It applies to the education, conference, seminar, etc.

Timelink Note



Installment guidance



Icon Introduction



Save



Clear



WIFI



Power

Save: Click 'Save' key, save the content onto the smart device.

Clear: Click 'Clear' key, all the content on the smart device will be cleared.

WIFI light: Show the current internet status.

Power: Show the device is on/off.

TimeLink Note app introduction



TimeLink Note app is developed under the concept of "green office". It comes with a friendly UI, and agile interactivities. It's a perfect combination with TimeLink Note device.

TimeLink Note features.

- Share in real time: Share all the snapshots by smart devices to your remote colleagues.
- Sync in real time: All the content on Note device will be synchronized to smart devices, you can re-compose, modify and delete the content on your smart device.
- Annotation: Users can make annotations on the content in smart devices.
- Save complete content online: All the content will be backed up in the cloud, free of losing any content.