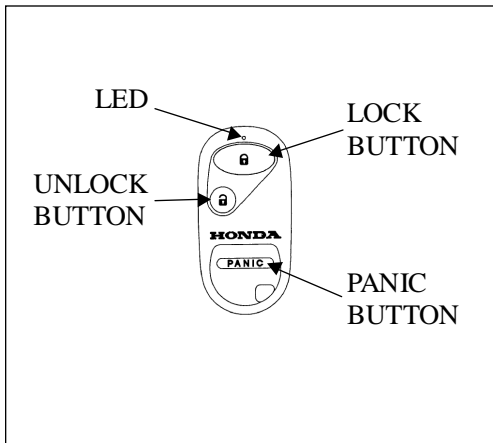


Users Manual

Remote Transmitter



Your vehicle comes with two transmitters.

You can lock and unlock your vehicle with the remote transmitter. When you push the Lock button, all the doors will lock.

When you push the Unlock button once, only the driver's door unlocks. The remaining doors unlock when you push the button a second time.

The ceiling light (if the ceiling light switch is in the center position) and the door courtesy lights come on when you unlock the doors. If you do not open any doors, the lights stay on for about 30 seconds, then fade out. If you re-lock the doors with the remote transmitter, the light go off immediately.

If you unlock the doors with the remote transmitter, but do not open any of the doors within 30 seconds, the doors automatically re-lock and the security system sets.

You can not lock any of the doors with the remote transmitter if any doors is open or key is in the ignition switch. You can not also unlock any of the doors with the key in the ignition switch.

NOTICE

This equipment has been tested and found to comply with the limits for a Class B digital device, pursuant to part 15 of the FCC Rules. These limits are designed to provide reasonable protection against harmful interference in a residential installation.

This equipment generates, uses and can radiate radio frequency energy and, if not installed and used in accordance with the instructions, may cause harmful interference to radio communications. However, there is no guarantee that interference will not occur in a particular installation. If this equipment dose cause harmful interference to radio or television reception, which can be determined by turning the equipment off and on, the user is encouraged to try to correct the interference by one or more of the following measures:

-Reorient or relocate the receiving antenna

-Increase the separation between the equipment and receiver.

-Connect the equipment into an outlet on a circuit different from that to which the receiver is connected.

-Consult the dealer or an experienced radio/TV technician for help.

FCC WARNING

Changes or modifications not expressly approved by the party responsible for compliance could void the user's authority to operate the equipment.

Operation is subject to the following two conditions;

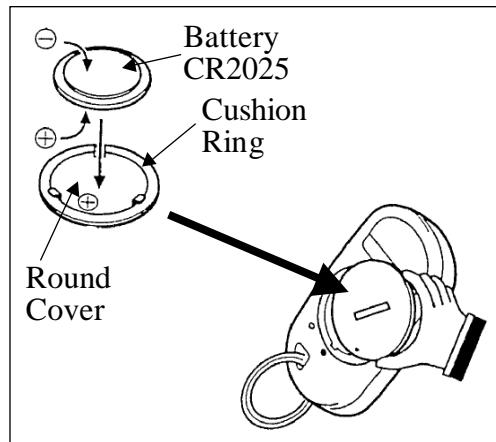
- (1) this device may not cause interference, and*
- (2) this device must accept any interference, including interference that may cause undesired operation of the device.*

Panic Mode

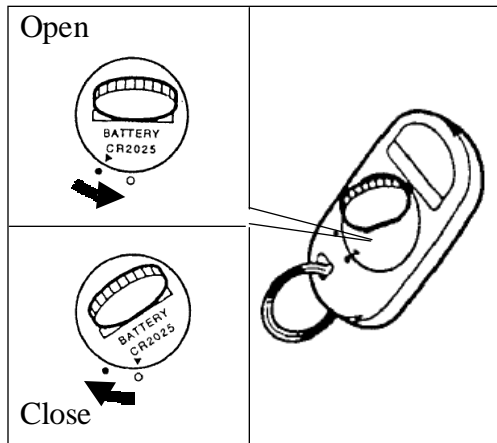
Panic mode allows you to remotely activate your vehicle's security system to attract attention. The horn will sound, and the exterior lights will flash, for about 30 seconds. To activate panic mode, press and hold the Panic button for about one second.

To cancel Panic mode before 30 seconds, press any button on the remote transmitter. You can also turn the ignition switch to ACCESSORY (I) or ON (II).

Panic mode will not activate if the ignition switch is in ACCESSORY (I) or ON (II).



Replacing the Battery



When the Remote Keyless Entry Transmitter's Battery begins to get weak, it may take several pushes on the button to lock or unlock the doors, and the LED will get dim.

Replace the Battery as soon as possible.

Battery type : CR2025

To replace the Battery, remove the round cover on the back of the Transmitter by turning it counter clock wise with a coin.

Remove the old Battery and note the polarity. Make sure the polarity of the new Battery is the same (+ side facing up), then insert it in the Transmitter.

Reinstall the cushion ring.

Align the ▼mark on the cover with the ⊙ mark on the Transmitter, then set the cover in place and turn it clock wise.

Transmitter Care

Avoid severe shock to the transmitter, such as dropping or throwing it. Also, protect it from extreme hot or cold temperatures.

Clean the transmitter case with a soft cloth. Do not use strong cleaners to solvents that could harm the case. Immersing the transmitter in any liquid will harm the transmitter and cause it to not function properly.

If you lose a transmitter, you will need to have the replacement programmed to your vehicle's system by your Honda Dealer. Any other transmitters you have will also need to be reprogrammed.