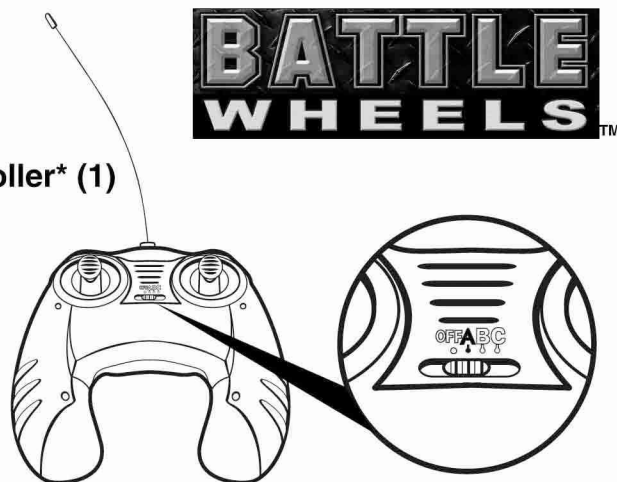


CONTENTS:

Vehicle (1)



Controller* (1)



BATTLE WHEELS™

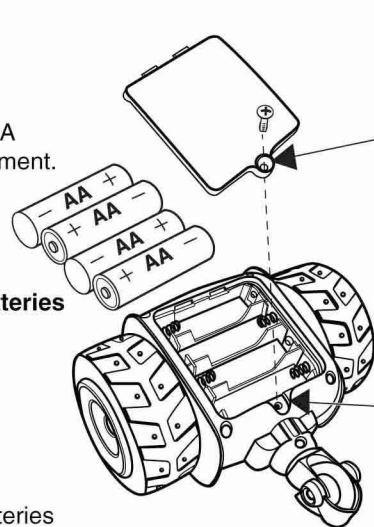
***IMPORTANT: BATTLE WHEELS USE MULTIBAND TECHNOLOGY, SO BE SURE TO SET YOUR CONTROLLER FREQUENCY SWITCH (ABC) TO MATCH THE LABEL (ABC) ON THE BACK OF YOUR BATTLEWHEEL.**

BATTERY INSTALLATION*:

Have an adult remove battery cover with screwdriver (not included).

Flip unit over and place 4 X AA batteries into battery compartment.

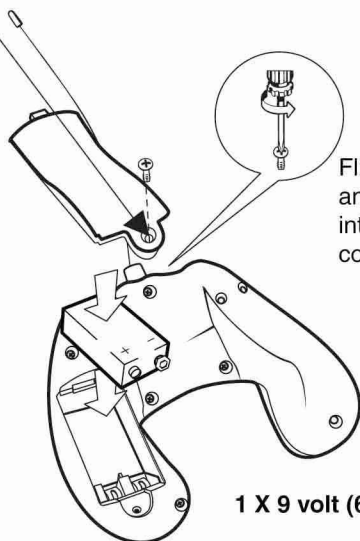
4 X AA (R6P) batteries



*For best results, alkaline batteries are recommended.

Flip controller over and place one 9v battery into battery compartment.

1 X 9 volt (6F22) battery



OPERATION

BattleWheels are powered by two separate motors. By manipulating the controls as shown below, the unit will perform as described.

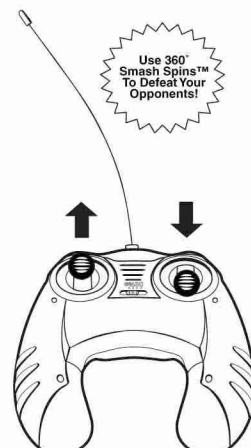
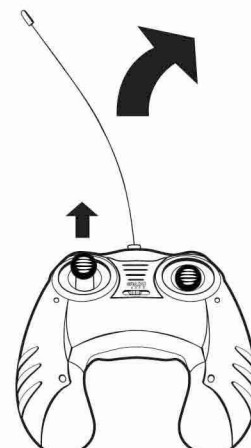
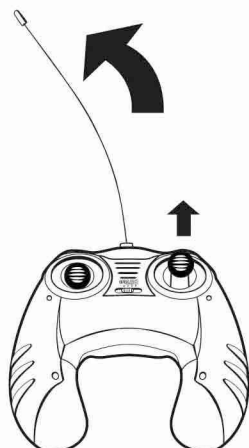
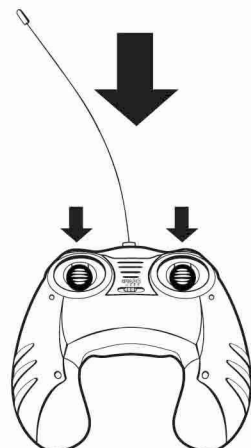
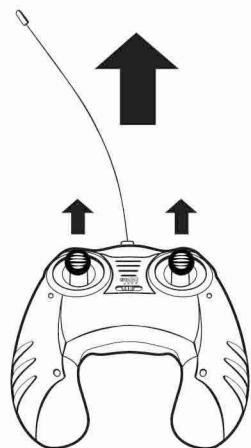
FORWARD

REVERSE

TURN LEFT

TURN RIGHT

SMASH SPIN™



Push Both Controls Up.

Push Both Controls Down.

Push Right Control Up.

Push Left Control Up.

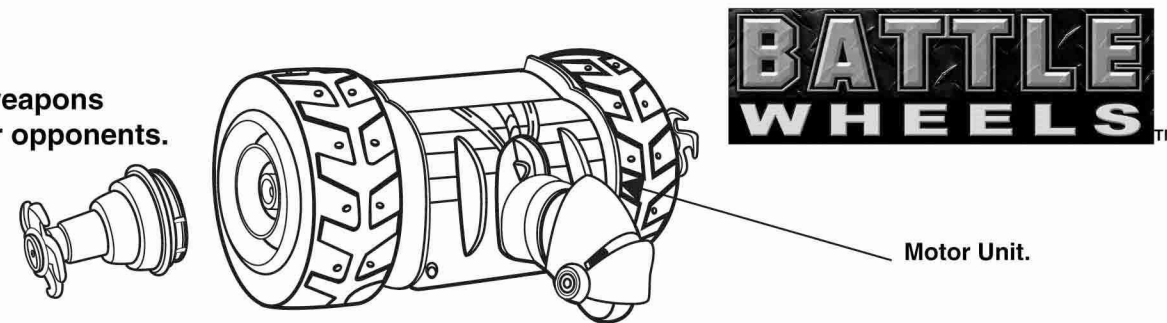
Push Left Control Up, Push Right Control Down.

For best performance, operate BattleWheels on a hard flat surface.

IMPORTANT: BATTLE WHEELS USE MULTIBAND TECHNOLOGY, SO BE SURE TO SET YOUR CONTROLLER FREQUENCY SWITCH (ABC) TO MATCH THE LABEL (ABC) ON THE BACK OF YOUR BATTLEWHEEL.

ASSEMBLY:

Position arms and weapons to triumph over your opponents.



BATTLE WHEELS™

Motor Unit.

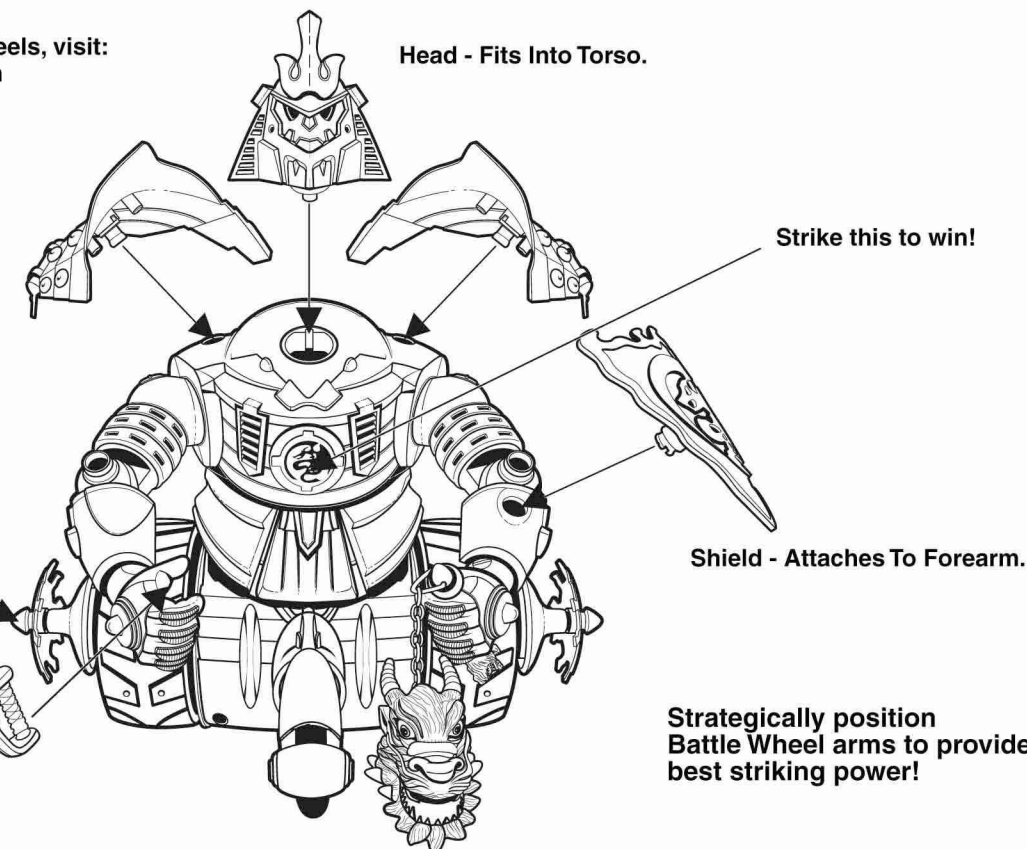
For more information on Battle Wheels, visit: www.thebattlewheels.com

Armor - Fits Into Shoulders.

Body is interchangeable with other BattleWheel Motor Units!

Wheel Blade - Fits Into Wheels.

Weapons - Fit Into Hands. Experiment with different weapon positions and tactics to defeat your opponents!



WARNING:

- Keep all batteries away from children.
- Do not dispose of batteries in fire; may explode.
- Do not attempt to recharge non-rechargeable batteries.
- If using rechargeable batteries, remove from product before recharging. Recharging should be done only under adult supervision.
- To avoid battery leakage:**
 - Be sure to position + and - symbols as indicated in battery compartment.
 - Never mix old and new batteries, rechargeable and non-rechargeable batteries, or standard (carbon zinc) with alkaline batteries.
 - Always remove exhausted batteries from the product.
 - Never use a screwdriver or any metal tool to pry batteries from compartment, as doing so may short circuit supply terminals.
 - ONLY batteries of the same or equal type as recommended are to be used.
 - The supply terminals are NOT to be short circuited.

NOTE: This equipment has been tested and found to comply with the limits for a Class B digital device, pursuant to part 15 of the FCC Rules. These limits are designed to provide reasonable protection against harmful interference in a residential installation. This equipment generates, uses and can radiate radio frequency energy and, if not installed and used in accordance with the instructions, may cause harmful interference to radio communications. However, there is no guarantee that interference will not occur in a particular installation. If this equipment does cause harmful interference to radio or television reception, which can be determined by turning the equipment off and on, the user is encouraged to try to correct the interference by one or more of the following measures:

- Reorient or relocate the receiving antenna.
- Increase the separation between the equipment and receiver.
- Connect the equipment into an outlet on a circuit different from that to which the receiver is connected.
- Consult the dealer or an experienced radio/TV technician for help.

Warning: Changes or modifications to this unit not expressly approved by the party responsible for compliance could void the user's authority to operate the equipment. This device complies with Part 15 of the FCC Rules. Operation is subject to the following two conditions: (1) this device may not cause harmful interference, and (2) this device must accept any interference received, including interference that may cause undesired operation.

WARRANTY

90 DAY LIMITED WARRANTY

This radio control vehicle has been manufactured and engineered to meet the highest quality standards. Please follow the guidelines and safety rules set forth in this owner's manual to keep your radio control vehicle operating at it's peak performance.

Your radio control vehicle is fully guaranteed against any manufacturing defects for a period of ninety (90 days) from the original date of purchase. This expressed warranty does NOT cover broken parts or damage resulting from misuse, accidents, part modification(s), unauthorized repairs, improper storage or care, or out of warranty service.

For questions, inquiries, or comments, please feel free to contact us by phone or email:

Customer Service: 800-704-8697

Email: faq@rc2corp.com



©2007 LEARNING CURVE BRANDS, INC.



©2007 BATTLE WHEELS
OAK BROOK IL 60523 USA
ALL RIGHTS RESERVED MADE IN CHINA
VISIT THE WEBSITE AT: www.thebattlewheels.com

Learning Curve Brands, Inc
1111 W. 22nd Street Suite 320, Oak Brook, IL 60523, United States
Tel : 630 573-7200
Contact person : Joseph Gheith