

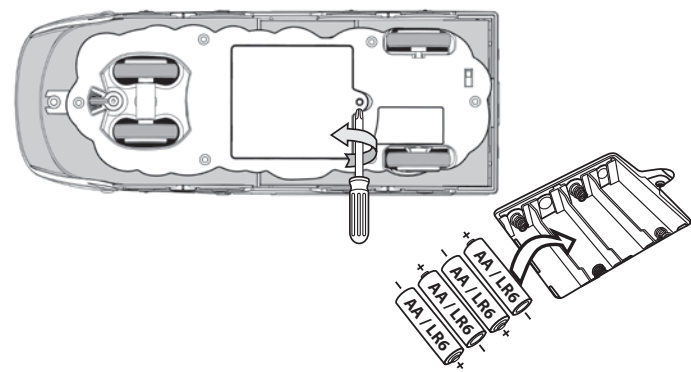


# Remote Control Blast-Off Action Chugger

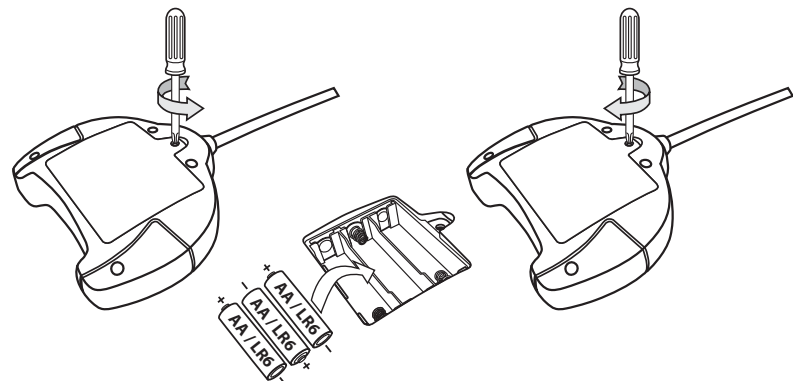
3+

### Battery Replacement Instructions:

Requires 4 AA / LR6 batteries (Included).

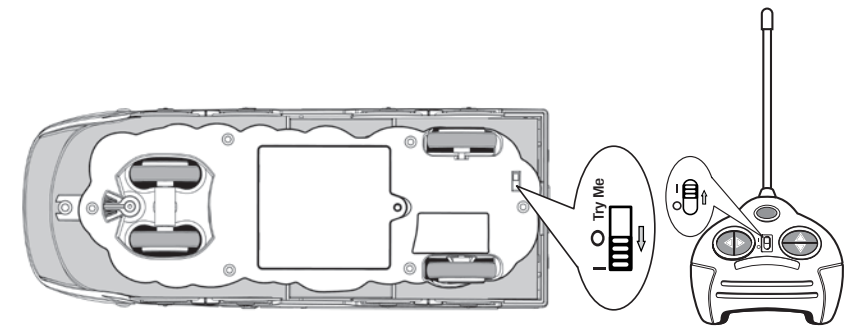


Requires 3 AA / LR6 batteries (not included).



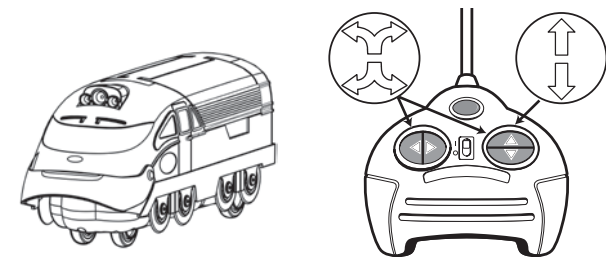
### Operation Instructions:

1 Slide the "ON/OFF" switch to the "I" position to turn the toy "ON".



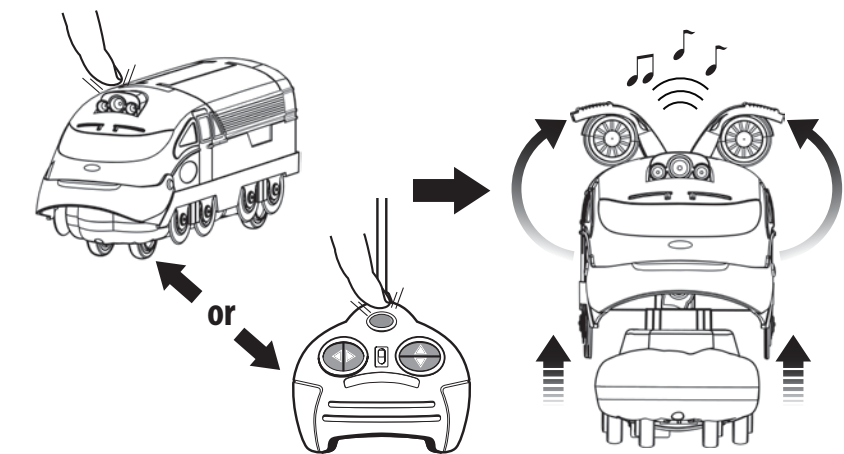
2 Place vehicle on hard flat surface.

3 Press right hand buttons (vertical arrows) to move vehicle forward and backward. Press left hand buttons (horizontal arrows) to steer vehicle left and right.



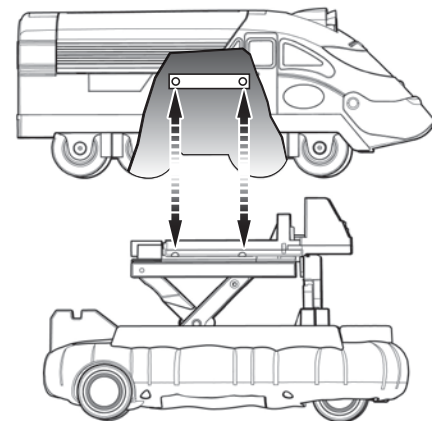
4 To transform into "Blast-Off" mode press center button on remote or horns on vehicle. Repeat to transform vehicle back.

\*Note vehicle can transform while moving.



#### TIP:

- If vehicle body disconnects from base, align the 4 connection points located on inner body and base to reconnect.



# TOMY®

SKU# LC55701

Please retain these instructions for future reference.

## Front

### Battery Tips:

- Do not use rechargeable batteries;
- Batteries must be removed and inserted under adult supervision;
- Non-rechargeable batteries are not to be recharged;
- Batteries are to be inserted with the correct polarity;
- Exhausted batteries are to be removed from the toy and disposed properly;
- Supply terminals are not to be short-circuited;
- Different types of batteries (e.g. alkaline, standard carbon-zinc or rechargeable) or new and used batteries are not to be mixed;
- Do not dispose of batteries in fire, may explode or leak.



In the European market the dustbin symbol indicates that batteries, rechargeable batteries, button cells, battery packs, etc. must not be put in the household waste. Batteries containing hazardous substances are harmful to the environment and to health. Please help to protect the environment from health risks and tell your children to dispose of batteries properly and take them to the local collecting points. Batteries are recycled safely in this manner. The chemical symbols Hg (Mercury), Cd (Cadmium) or Pb (Lead) shown on the dustbin symbol indicates that the content of that chemical exceeds a certain limit.



This symbol on the product or on its packaging indicates that this product shall not be treated as household waste. Instead it shall be handed over to the applicable collection point for the recycling of electrical and electronic equipment. By ensuring this product is disposed of correctly, you will help prevent potential negative consequences for the environment and human health, which could otherwise be caused by inappropriate waste handling of this product. The recycling of materials will help to conserve natural resources. For more detailed information about recycling of this product, please contact your local city office, your household waste disposal service or the shop where you purchased the product

**U.S. FCC Warning:** Changes or modifications to this unit not expressly approved by the party responsible for compliance could void the user's authority to operate the equipment.

**NOTE:** This equipment has been tested and found to comply with the limits for a Class B digital device, pursuant to Part 15 of the FCC Rules. These limits are designed to provide reasonable protection against harmful interference in a residential installation. This equipment generates, uses and can radiate radio frequency energy and, if not in stalled and used in accordance with the instructions, may cause harmful interference to radio communications. However, there is no guarantee that interference will not occur in a particular installation. If this equipment does cause harmful interference to radio or television reception, which can be determined by turning the equipment off and on, the user is encouraged to try to correct the interference by one or more of the following measures:

- Reorient or relocate the receiving antenna.
- Increase the separation between the equipment and receiver.
- Connect the equipment into an outlet on a circuit different from that to which the receiver is connected.
- Consult the dealer or an experienced radio/TV technician for help.

This device complies with Part 15 of the FCC Rules. Operation is subject to the following two conditions:

- (1) This device may not cause harmful interference, and
- (2) This device must accept any interference received, including interference that may cause undesired operation.

This Category II radiocommunication device complies with Industry Canada Standard RSS-310.

Ce dispositif de radiocommunication de catégorie II respecte la norme CNR-310 d'Industrie Canada.

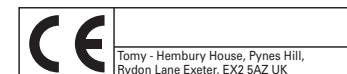
Operation is subject to the following two conditions: (1) this device may not cause interference, and (2) this device must accept any interference, including interference that may cause undesired operation of the device.

L'utilisation est soumise aux deux conditions suivantes : (1) l'appareil ne devrait pas provoquer d'interférence et (2) l'appareil accepte toute interférence, même celle provoquée par une utilisation inappropriée de l'appareil.

Carrier frequency 27.145MHz, Field strength: 74.89 dBuV/m at 3m  
Fréquence 27.145MHz, niveau de portée: 74.89 dBuV/m à 3m.

Questions? Comments?  
Contact Consumer Care  
www.tomy.com  
1-800-704-6697

\*Outside of the US,  
contact your local distributor.



www.tomy.com

© TOMY  
Oak Brook, Illinois 60523-1940 U.S.A. All Rights Reserved. Made in China.



© Ludorum plc, Racing Champions International Limited, 2011  
Chuggington™ is a trademark of Ludorum plc  
www.chuggington.com

## Back