

the first years™

Crisp & Clear™ Audio Monitor



NOTE: Y7568 comes with one Child Unit, one Parent Unit, one Parent Unit antenna and two AC adapters. Y7569 comes with one Child Unit, two Parent Units, two Parent Unit antennas and three AC adapters. Except for setting up (and using) the second Parent Unit, instructions for both models are the same.

Before returning this product to the store for any reason,
please contact our Customer Care at

1-800-704-8697 or www.thefirstyears.com

Often, we can provide helpful tips and instructions to resolve
your problem quickly over the phone.

Check our website: www.thefirstyears.com for the most up-to-date
instruction manual as well as tips and troubleshooting advice.

Y7568, Y7569

TOMY®

Please retain this instruction sheet for future reference as it contains important information.

SAFETY INSTRUCTIONS



This symbol is intended to warn the user of potential safety hazards.



This symbol is intended to alert the user to a potential risk of electric shock and other electrical safety issues.



WARNING:



- **Strangulation Hazard-Children have STRANGLED in cords. Keep cord out of the reach of children (more than 3 ft (0.9m) away).**
- **The product is designed to assist in the monitoring of children, not as a prevention for injury to or loss of a child.**
- **This product is not a substitute for proper adult supervision. All children should be supervised at all times by responsible adults.**



WARNING

To reduce the risk of fire or electrical shock, do not open this product or expose the product to:

- **Water and Moisture:** This product should not be used near water, for example, near a bathtub or sink, in a wet basement or near a swimming pool.
- **Heat:** This product should be situated away from heat sources such as radiators, heat registers, stoves, or other appliances that produce heat.

IMPORTANT

- **The user should not attempt to service this product. Read all safety and operating instructions before operating this product.**
- **Retain these instructions for future reference.**
- **Observe all warnings.**
- **Follow all operating instructions.**

- Do not tamper with the plug under any circumstances.
- Power Source – This product should be connected only to the power supply provided.
- Cleaning—Before cleaning, be sure to unplug. Clean only as recommended in these instructions.
- Object and Liquid Entry—Care should be taken so that objects do not fall and liquids are not spilled into the enclosure through the openings.
- Damage or Malfunction—Please contact our Parent Service Center at 800-704-8697 if:
 - a. The power supply cord or plug has been damaged
 - b. Objects have fallen or liquid has been spilled into it
 - c. The product has been exposed to rain
 - d. The product does not appear to operate normally or exhibits a marked change in its performance
 - e. The product has been dropped or the enclosure damaged.

Wall Mounting—The Child Unit should be mounted to a wall only as recommended in these instructions.

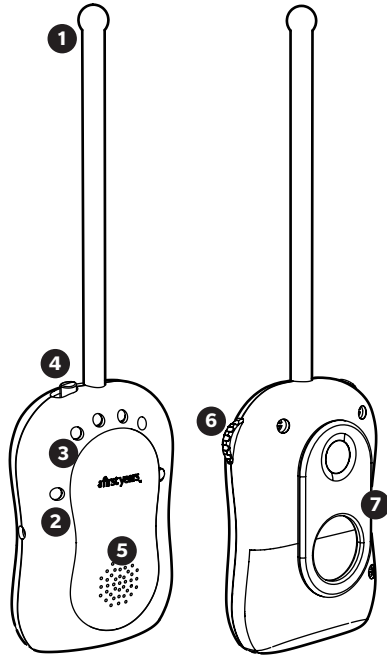
WARNING

Do not mount the Child Unit in a location where the unit or the adapter cord is within the child's reach. To prevent injury, this apparatus must be securely attached to the wall in accordance with the installation instructions.

Parts Diagram

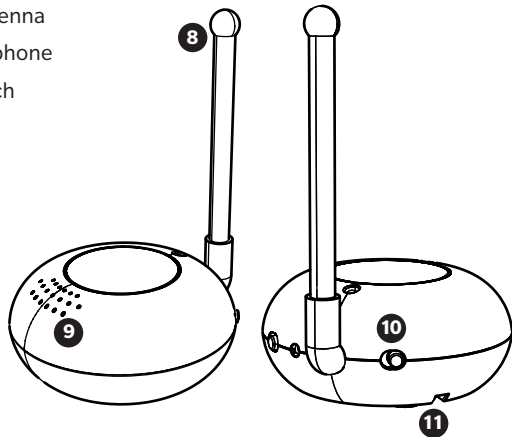
Parent Unit

- ❶ High performance antenna
- ❷ Low battery indicator
- ❸ Sound level lights
- ❹ Two channel A/B switch
- ❺ High quality speaker
- ❻ Volume and power switch
- ❼ Belt clip



Child Unit

- ❸ High performance antenna
- ❹ Super sensitive microphone
- ❺ Two channel A/B switch
- ❻ Wall mount



Quick Start Instructions

Please read the safety instructions on pages 2-3.

Set up the Parent Units

- Screw the antenna into the Parent Unit.
- Battery compartment is located on the back of unit. Unscrew to release cover lock.
- Install three AA batteries.
- Or, plug one of the AC adapters provided into each Parent Unit.

Set up the Child Unit

- Place the unit near your child (within 6 feet, but no closer than 3 feet).
- Position the antenna straight up.
- Plug in the AC adapter provided.
- Slide the channel switch to A or B.
- Press the ON/OFF button to turn on the unit.

Use the Monitor (Parent Unit)

- Slide the channel switch to the same channel as the Child Unit (A or B).
- Rotate the volume dial to turn on and adjust to desired volume level.
- Keep the Parent Unit with you and keep it positioned upright.

Monitor Setup

Parent Unit(s)

To operate with batteries:

1. Screw the antenna into the Parent Unit.
2. Loosen screw to release the battery compartment cover. Then lift the cover off (for easier access, rotate belt clip away from battery cover.)
3. Insert three AA batteries. Position them so the + and - contacts are aligned with the corresponding contacts on the battery compartment. Make sure the ribbon is placed under the batteries to allow assistance in removing.
4. Place cover back on battery compartment and secure it by tightening screw.
5. When it's time to change the batteries, the power indicator light will turn red. Replace batteries with three new AA batteries at that time.

To operate with AC adapter:

Insert AC adapter plug into the jack on the side of the unit, then plug the adapter into an electrical outlet.



CAUTION:

Always use the AC adapter supplied with this product. Do not use any other adapter. Monitor could become damaged, and warranty would become void.

Child Unit

1. Position the Child Unit within approximately 6 feet of your child, but no closer than 3 feet.



WARNING:

Do not place Child Unit in crib or attach to crib.

(To prevent heat build-up, place on an open surface away from heat sources; do not place in an enclosed space.)

2. Position antenna straight up as shown.
3. Insert the AC adapter plug into the jack on the side of the unit, then plug the adapter into an electrical outlet.

For wall mounting (optional):

1. Securely fasten one #8 pan head wood screw on the wall (For best results, use a 3/4-inch screw; mount in solid wood or use a screw wall anchor).
2. Leave the screw head protruding from the wall by at least 1/4-inch.
3. Press the adapter cord into the grooved channel on the back of the unit, making certain to slide it under the holding clips.
4. Fit the screw head slot (on the back of the unit) over the screw head and slide the unit down to seat it firmly.
5. Position antenna to the side.
6. To test the unit is securely mounted, press on its edges.

Monitor Use

1. Slide the channel A/B switch on the Child Unit to either A or B. Turn the unit on by pressing the ON/OFF button.
2. Turn the Parent Unit ON/OFF by rotating the volume switch.
3. Slide the channel selector switch on the Parent Units to the same channel as the Child Unit (A or B). For the Monitor to work properly, both units must be set to the same channel.
4. Turn the volume dial on the Parent Units counter clockwise to the desired loudness level.
5. Keep a Parent Unit with you. For best reception keep all units as near upright as possible.

Range:

The range of the Monitor will vary with the surroundings. You may want to test its workable range by walking through your house and yard and listening for the volume and clarity of the sounds being transmitted.

Using belt clip:

Slide onto your belt or waistband. The belt clip can rotate away from the battery compartment for easy access to batteries.

Changing channels:

Always keep both units set to the same channel (A or B). If you experience interference or static with one channel, switch to the other on both units.

Positioning antennas:

If the Child Unit is wall mounted, antenna should be to the side.

Lights

Here's how to interpret the lights on the Parent Units.

1 Power Indicator

- | | |
|-----------------------|---|
| Light is Green | Both units are ON and the Monitor is ready to transmit sound. |
| Light is Red | Batteries in Parent Unit are weak. Replace with three "AA" batteries. |
| Not Lit | Unit is not receiving power
(See "Troubleshooting," "No power"). |

2 Three Quiet Sound Lights

- | | |
|-------------------------|---|
| No Lights Lit | No sound from Child Unit (baby is quiet). |
| Lights are Green | Quiet sounds (baby may be whimpering or talking). |

3 One Loud Sound Light

- | | |
|---------------------|---|
| Light is Red | Loud sounds (baby may be crying or talking loudly). |
|---------------------|---|

4 Connectivity

- | | |
|-----------------------|---|
| Light is Green | Units are connected and the Monitor is ready to transmit sound. |
|-----------------------|---|

Replacing Batteries (Parent Units):

Remove old batteries and see "To operate with batteries" on page 6.

Troubleshooting

Problem	Possible Cause	Solution
No power	Parent Units: Unit is not turned on	Turn the unit on
	Batteries are dead	Replace batteries or plug in adapter (See “Monitor Setup” on page 6)
	Child Unit: Unit is not turned on	Press ON/OFF button
	Adapter not plugged in	Plug in adapter
	Adapter plugged into outlet which is turned off	If outlet is controlled by a wall switch, be sure switch is turned on
Hissing sound	Parent Unit is turned on, but Child Unit is off	Leave Child Unit plugged in and turned on at all times (or if you turn it off, turn off Parent Unit also)
Static or Interference	Units set to different channels	Set both units to same channel
	Appliances (fans, hair dryer, or mixer for example) causing interference	Try turning off any nearby appliances or switching channels or moving the monitors away from source of interference
	Cross talk from cordless phone or some other nearby transmitter	Try switching channels
	Child Unit not receiving power	Make sure adapter is plugged in and outlet is receiving power
	Batteries are low	Replace batteries or plug in adapter

Troubleshooting

Problem	Possible Cause	Solution
Noisy feedback (high-pitched “screech”)	Units too close together	Be sure Parent Unit is at least 3 feet from Child Unit
	Volume too high	Lower volume setting on Parent Unit
No sound or very weak reception	Unit is getting little or no power	Parent Unit: Replace batteries or plug in adapter Child Unit: Make sure adapter is plugged in and outlet is receiving power
	Out of range	Move Parent Unit closer to Child Unit (and be sure Child Unit is turned on)
	Antenna is not vertical or is covered	Be sure antenna is straight up and not obstructed
	Units are set to different channels	Set both units to the same channel
	Weak batteries	Replace batteries or use AC adapter
	Volume is set too low	Raise volume setting

Maintenance

WARNING

Keep batteries away from children. Parents are urged to exercise care in the storage, use and disposal of all batteries.

To avoid battery leakage:

- Do not use rechargeable batteries;
- Batteries must be removed and inserted under adult supervision;
- Non-rechargeable batteries are not to be recharged;
- Batteries are to be inserted with the correct polarity;
- Exhausted batteries are to be removed from the unit and disposed properly;
- Supply terminals are not to be short-circuited;
- Different types of batteries (e.g. alkaline, standard carbon-zinc or rechargeable) or new and used batteries are not to be mixed;
- Do not dispose of batteries in fire, may explode or leak.
- Never use a screwdriver or any other tool to pry batteries from the compartment, as the supply terminals could be short-circuited.
- Do not leave batteries in the Monitor for long periods of non-use.

Failure to follow these instructions may cause batteries to make popping sounds and leak battery acid, which could result in personal injury, as well as damage to the Monitor. If battery leakage occurs, avoid all contact with battery acid, being especially careful to keep it away from eyes and mouth. Should contact occur, wash any affected skin and clothing thoroughly.

IMPORTANT:

- ALWAYS DISPOSE OF USED BATTERIES IN AN ENVIRONMENTALLY FRIENDLY MANNER.

Alkaline batteries and Nickel Metal Hydride batteries (Ni-Li or Ni-Hydride), are classified as non-hazardous waste (except in California) and can be either disposed of in the trash or e-recycled at a local recycling center. In order to find a center near you, go to www.ehso.com; using the search function, type in “Batteries” and select the Battery Disposal Guide for Households. This will provide a link to nearby centers based on zip code.

To Clean Units

Wipe exterior surfaces with a clean, dry cloth.

FCC

Note: This equipment has been tested and found to comply with the limits for a Class B digital device, pursuant to Part 15 of the FCC Rules. These limits are designed to provide reasonable protection against harmful interference in a residential installation. This equipment generates, uses and can radiate radio frequency energy and, if not installed and used in accordance with the instructions, may cause harmful interference to radio communications.

However, there is no guarantee that interference will not occur in a particular installation. If this equipment does cause harmful interference to radio or television reception, which can be determined by turning the equipment off and on, the user is encouraged to try to correct the interference by one or more of the following measures:

- Reorient or relocate the receiving antenna.
- Increase the separation between the equipment and receiver.
- Connect the equipment into an outlet on a circuit different from that to which the receiver is connected.
- Consult the dealer or an experienced radio/TV technician for help.

This device complies with Part 15 of the FCC Rules. Operation is subject to the following two conditions: (1) this device may not cause harmful interference, and (2) this device must accept any interference received, including interference that may cause undesired operation.

These devices comply with FCC and Industry Canada RF radiation exposure limits set forth for the general population. They must not be operated when co-located with any other antenna or transmitter.

Caution: To maintain the compliance with the FCC's and Industry Canada's RF exposure guideline, place the child unit at least 20 cm (8 inches) from nearby persons.

* This device complies with RSS-310 of Industry Canada. Operation is subject to the condition that this device does not cause harmful interference.

CAUTION: Any changes or modifications not expressly approved by the party responsible for compliance could void the user's authority to operate this equipment.

WARNING

Changes or modifications to this unit not expressly approved by TOMY could void the user's authority to operate the equipment.

Warranty

Our Limited Warranty and Warranty Period

When we use the terms “we,” “us” and “our,” we are referring to TOMY, and when we use the terms “you” and “your” we mean the original end-user customer. Our products are guaranteed to be free from defects in material and workmanship under normal and intended use for a period of 90 days from the date of your purchase.

Repair/Replacement

If our product fails to meet our limited warranty during the warranty period, we will, at our option, repair or replace the product free of charge.

What Our Limited Warranty

Does Not Cover We offer this limited warranty only when the product is used by the original end-user customer. We offer no other warranty. Additionally, while our warranty is excellent, there are other limits to it. We offer NO WARRANTY in cases of damage in transit, inadequate care, abuse, abnormal use, misuse, accidents, normal wear and tear, damage due to environmental or natural elements, failure to follow product instructions, immersion in water (except for products specifically identified by us in writing as intended for water use), battery leakage or improper storage or maintenance of the products.

Disclaimer of Other Warranties

THE EXPRESS WARRANTIES IN THE PRECEDING SECTION ARE EXCLUSIVE AND IN LIEU OF ALL OTHER WARRANTIES. However, to the extent applicable law does not permit disclaimers of certain implied warranties, such warranties are limited to the warranty period identified above. Some states and countries do not allow limitations on how long an implied warranty lasts, so the above limitations may not apply to you.

Limitation on Damages

IN NO EVENT SHALL WE BE LIABLE FOR INCIDENTAL, COMPENSATORY, PUNITIVE, CONSEQUENTIAL, INDIRECT, SPECIAL OR OTHER DAMAGES. OUR AGGREGATE LIABILITY WITH RESPECT TO DEFECTIVE PRODUCTS IS LIMITED TO THE MONIES PAID TO US FOR THE DEFECTIVE GOOD. Some states and countries do not allow the exclusion or limitation of incidental, consequential or other damages, so the above limitation or exclusion may not apply to you.

State Variations

This warranty gives you specific legal rights, and you may also have other rights which vary based on state, province or country.

Contact Us

If you have a warranty claim or request, any customer care questions, please contact via our website www.thefirstyears.com or call us at 1-800-704-8697.