



## AOC LM720 Series LCD Monitor User's Guide

[Preface](#)

[Precautions](#)

[Introduction](#)

[Setup](#)

[Using the Monitor](#)

[Drivers](#)

[Technical Support FAQ](#)

[Specifications](#)

[FCC Notice](#)

[Warranty](#)

[Product Registration](#) (Requires Internet connection.)

---

**Information in this document is subject to change without notice.**

© 2002 AOC International (Europe) GmbH All rights reserved.

Reproduction in any manner whatsoever without the written permission of AOC International (Europe) GmbH is strictly forbidden.

Trademarks used in this text: *Microsoft*, *Windows*, and *Windows NT* are registered trademarks of Microsoft Corporation; *VESA* is a registered trademark of Video Electronics Standards Association; *IBM* is a registered trademark of International Business Machines Corporation; *Adobe* is a trademark of Adobe Systems Incorporated, which may be registered in certain jurisdictions. As an ENERGY STAR® Partner, AOC International (Europe) GmbH has determined that this product meets the ENERGY STAR® guidelines for energy efficiency.

Other trademarks and trade names may be used in this document to refer to either the entities claiming the marks and names or their products. AOC International (Europe) GmbH disclaims any proprietary interest in trademarks and trade names other than its own.

---

*Date Released: March 2002*

[Back to Contents Page](#)

## Preface: AOC LM720 Series LCD Monitor

[About This Guide](#) • [Notational Conventions](#)

---

### About This Guide

This guide is intended for anyone who uses the AOC LM720 Series LCD Monitor. It describes the monitor's features, setup, and operation.

The sections are as follows:

- [Safety Instructions](#) lists safety information.
- [Introduction](#) gives an overview of the monitor's features and provides an orientation to the monitor.
- [Setup](#) describes the initial setup process.
- [Using the Monitor](#) gives an overview of how to use the monitor.
- [Drivers](#) provides driver installation instructions for Windows.
- [Troubleshooting](#) provides tips and solutions for common problems.
- [Specifications](#) lists the technical specifications of the monitor.
- [FCC Notice](#) FCC Class B statement.
- [Warranty](#) describes the warranty information for this product.
- [\\*Product Registration](#) lets you register your product.

\*Requires Internet connection.




---

### Notational Conventions

The following subsections describe notational conventions used in this document.

#### Notes, Cautions, and Warnings

Throughout this guide, blocks of text may be accompanied by an icon and printed in bold type or in italic type. These blocks are notes, cautions, and warnings, and they are used as follows:


-  **NOTE:** A NOTE indicates important information that helps you make better use of your computer system.
-  **CAUTION:** A CAUTION indicates either potential damage to hardware or loss of data and tells you how to avoid the problem.
-  **WARNING:** A WARNING indicates the potential for bodily harm and tells you how to avoid the problem.

Some warnings may appear in alternate formats and may be unaccompanied by an icon. In such cases, the specific presentation of the warning is mandated by regulatory authority.

---

[Back to Contents Page](#)

## Precautions: AOC LM720 Series LCD Monitor

 **WARNING: Use of controls, adjustments, or procedures other than those specified in this documentation may result in exposure to shock, electrical hazards, and/or mechanical hazards.**

Read and follow these precautions when connecting and using your computer monitor:

### PRECAUTIONS

- Do not use the monitor near water, e.g. near a bathtub, washbowl, kitchen sink, laundry tub, swimming pool or in a wet basement.
- Do not place the monitor on an unstable cart, stand, or table. If the monitor falls, it can injure a person and cause serious damage to the appliance. Use only a cart or stand recommended by the manufacturer or sold with the monitor. If you mount the monitor on a wall or shelf, use a mounting kit approved by the manufacturer and follow the kit instructions.
- Slots and openings in the back and bottom of the cabinet are provided for ventilation. To ensure reliable operation of the monitor and to protect it from overheating, be sure these openings are not blocked or covered. Do not place the monitor on a bed, sofa, rug, or similar surface. Do not place the monitor near or over a radiator or heat register. Do not place the monitor in a bookcase or cabinet unless proper ventilation is provided.
- The monitor should be operated only from the type of power source indicated on the label. If you are not sure of the type of power supplied to your home, consult your dealer or local power company.
- The monitor is equipped with a three-pronged grounded plug, a plug with a third (grounding) pin. This plug will fit only into a grounded power outlet as a safety feature. If your outlet does not accommodate the three-wire plug, have an electrician install the correct outlet, or use an adapter to ground the appliance safely. Do not defeat the safety purpose of the grounded plug.
- Unplug the unit during a lightning storm or when it will not be used for long periods of time. This will protect the monitor from damage due to power surges.
- Do not overload power strips and extension cords. Overloading can result in fire or electric shock.
- Never push any object into the slot on the monitor cabinet. It could short circuit parts causing a fire or electric shock. Never spill liquids on the monitor.
- Do not attempt to service the monitor yourself; opening or removing covers can expose you to dangerous voltages and other hazards. Please refer all servicing to qualified service personnel.
- To ensure satisfactory operation, use the monitor only with UL listed computers which have appropriate configured receptacles marked between 100 - 240V AC, Min. 5A.
- The wall socket shall be installed near the equipment and shall be easily accessible.
- For use only with the attached power adaptor (Output 12Vdc) which have **UL, CSA** listed license .

[Back to Contents Page](#)

## Introduction: AOC LM720 Series LCD Monitor

[Overview](#) • [Photos](#)

---

### Overview

Congratulations on purchasing the **AOC LM720 Series** 17-inch LCD monitor. This monitor displays sharp and brilliant images at an optimal resolution of 1280 x 1024 pixels. The maximum resolution of this monitor is 1280 x 1024 pixels. The AOC LM720-Series was designed for a wide variety of users ranging from home and small office to large corporate environments. Customers requiring exceptional quality and reliability at an affordable price will appreciate the value that the AOC LM720 Series delivers.

For more details see [Specifications Section](#).

---

### Photos

The following links show various views of the monitor and its components.

[Front View](#)  
[Back View](#)  
[Bottom View](#)  
[Side View](#)

---

[Back to Contents Page](#)

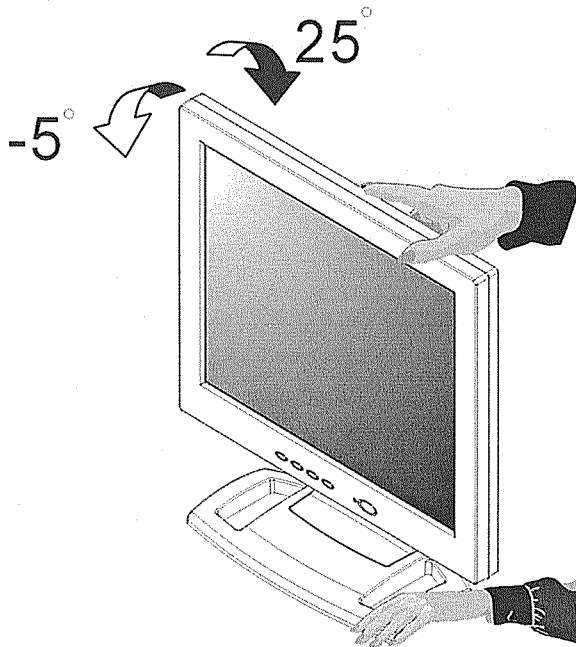
[Back to Contents Page](#)


## Tilt/Swivel Base: AOC LM720 Series LCD Monitor

- [Attaching the Tilt/Swivel Base](#) • [Removing the Tilt/Swivel Base](#)
- 

### Tilt/Swivel Base(The color of the cabinet may vary)

- For optimal viewing it is recommended to look at the full face of the monitor, then adjust the monitor's angle to your own preference.
- Hold the stand so you do not topple the monitor when you change the monitor's angle.
- You are able to adjust the monitor's angle from  $-5^{\circ}$  to  $25^{\circ}$ .



 **NOTE:** Do not touch the LCD screen when you change the angle. It may cause damage or break the LCD screen.

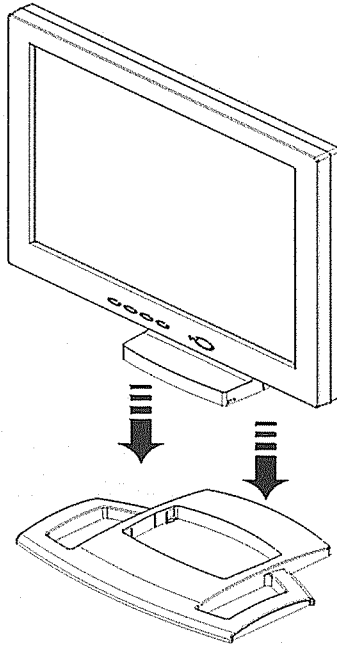
Careful attention is required not to catch your fingers or hands when you change the angle.

---

### Attaching the Tilt Swivel Base(The color of the cabinet may vary)

1. Turn off the monitor and unplug it from the electrical outlet.

2. Place the base on a flat work surface.



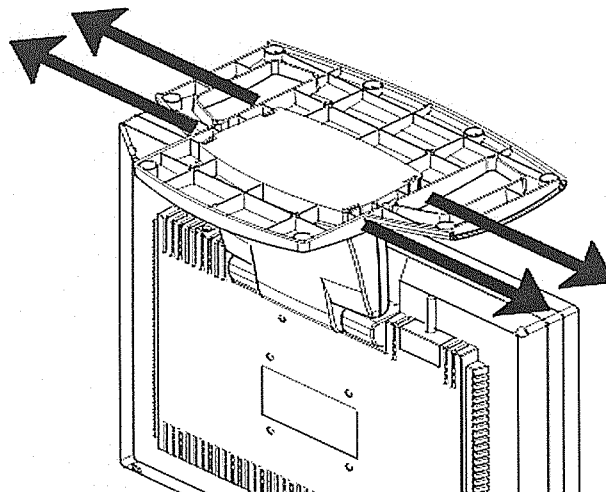
3. Align the tabs on the swivel base with the corresponding slots on the bottom of the monitor.

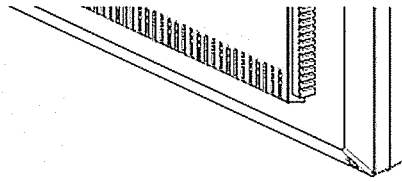
✓ *NOTE: The base will align with the monitor slots in only one position.*

---

### Removing the Tilt Swivel Base(The color of the cabinet may vary)

1. Place the monitor upside-down on a stable, flat work surface.
2. Push release latch on the bottom of the rear cabinet.





And push the swivel base toward the back of the monitor at the same time and lift up to remove the base.

**⚠ CAUTION:** Be careful to avoid pinching or scraping fingers when removing the tilt/swivel base.

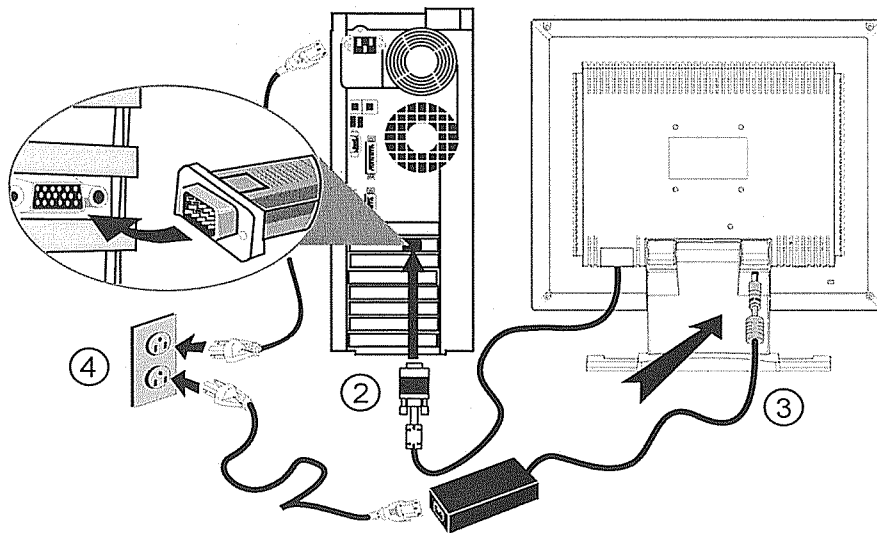
[Back to Contents Page](#)

[Back to Contents Page](#)

## Attaching the Cables: AOC LM720 Series LCD Monitor

---

### Cable Connections On Back of Monitor and Computer



1. Turn off your computer and unplug its power cable.
2. Connect the blue connector of signal cable to the blue video port on the back of your computer
3. Connect the power cable for your monitor to the power port on the back of the monitor.
4. Plug the power cables of your computer and your monitor into a nearby outlet.
5. Turn on your monitor and computer.

If your monitor displays an image, installation is complete. If it does not display an image, see [Troubleshooting](#).

---

[Back to Contents Page](#)

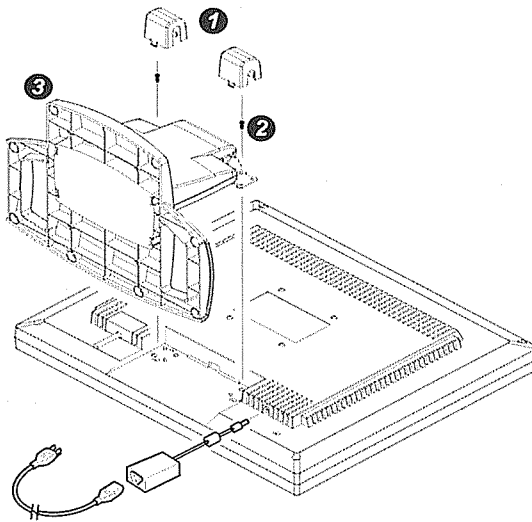


[Back to Contents Page](#)

## Attaching Wall Mounting Arm: AOC LM720 Series LCD Monitor

- [Preparing to Install An Optional Wall Mounting Arm \(Not supplied\)](#)
  - [Install An Optional Wall Mounting Arm \(Not supplied\)](#)
- 

### Preparing to Install An Optional Wall Mounting Arm (Not supplied)



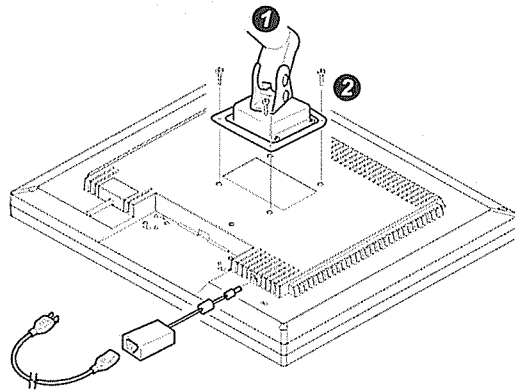
This monitor can be attached to a wall mounting arm you purchase separately. Disconnect power before this procedure. Follow these steps:

1. Pull the screw covers off the back of the monitor.
2. Support the base and remove the screws.
3. Remove the base.
4. Follow the manufacturer's instructions to assemble the wall mounting arm.

See next page for further installation instructions.


---

### Install An Optional Wall Mounting Arm (Not supplied)



Follow these steps to finish installing the wall mounting arm:

1. Place the wall mounting arm onto the back of the monitor. Line up the holes of the arm with the holes in the back of the monitor.
2. Insert the 4 screws into the holes and tighten.
3. Insert the power cable into the slot on the back of the monitor.

 **NOTE:** AOC's Model LM720 is compatible with the Ergotron line of mounting and arm solutions. Visit their website at [www.ergotron.com](http://www.ergotron.com) for more information on the many ways on which you can mount your AOC LCD monitor.

---

[Back to Contents Page](#)

[Back to Contents Page](#)

## Setting the Optimal Resolution: AOC LM720 Series LCD Monitor

The recommended resolution for this monitor is 1280 by 1024. To setup the monitor to this resolution, follow the steps below.

1. Click **START**.
  2. Click **SETTINGS**.
  3. Click **CONTROL PANEL**.
  4. Double click **DISPLAY**.
  5. Click **SETTINGS**.
  6. Set the resolution **SLIDE-BAR** to 1280 by 1024.
- 

[Back to Contents Page](#)

[Back to Contents Page](#)

## Controls & Indicators: AOC LM720 Series LCD Monitor

[Operating Instructions](#) • [External Controls](#) • [How to Adjust a Setting](#) • [Adjusting the Picture](#) • [LED Indicators](#)

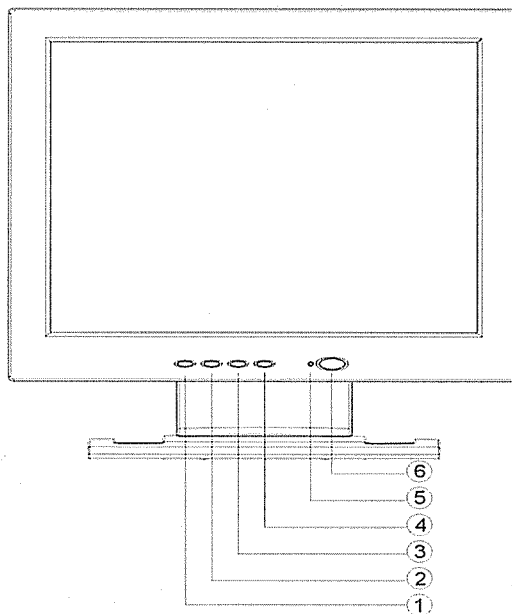
---

### Operating Instructions

#### General Instructions

Press the power button to turn the monitor on or off. The other control knobs are located at front panel of the monitor (See Figure). By changing these settings, the picture can be adjusted to your personal preferences.

- The power cord should be connected.
- Connect the video cable from the monitor to the video card.
- Press the power button to turn on the monitor position. The power indicator will light up.



The color of the cabinet may vary





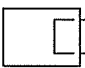
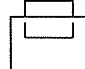
#### External Controls

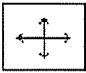

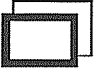

1. Auto Config / Exit
2. ◀ / Brightness
3. ▶ / Contrast
4. Menu / Enter
5. Power Button
6. Power Indicator

## How to Adjust a Setting

1. Press the MENU-button to activate the OSD window.
2. Press ◀ or ▶ to select the desired function.
3. Press the MENU-button to select the function that you want to adjust.
4. Press ◀ or ▶ to change the settings of the current function.
5. When the OSD window is active, it shows the input signal timing. The "H" stands for the horizontal frequency and "V" for the vertical frequency.
6. To exit and save, select the exit function, or leave the monitor alone for 10 seconds. If you want to adjust any other function, repeat steps 2-4.

## Adjusting the Picture

Icon		Adjustment
	Contrast	Adjusts the contrast between the foreground and background of the screen image.
	Brightness	Adjusts the background brightness of the screen image.
	Focus	Adjusts picture Focus.
	Clock	Adjusts picture Clock.
	H-position	Moves the screen image to the right or left.
	V-position	Moves screen image up or down.

	Auto Center	Used to center the picture automatically.
	Language	Select the language you like.
	Dos-mode selected	Dos-mode resolution selection for 720x400 @70Hz and 640x400 @70Hz
R⊕	Red	Adjusts Red intensity.
G⊕	Green	Adjusts Green intensity.
B⊕	Blue	Adjusts Blue intensity.
65	(6500K) Color	The color temperature for 6500°K is x=0.313, y=0.329.
78	(7800K) Color	The color temperature for 7800°K is x=0.296, y=0.311 .
R↩	Reset	Clear each old status of auto-configuration And re-do auto-configuration.
	Exit	Save user adjustment and OSD disappear.

See Specifications for the Horizontal and Vertical scan ranges addressable by this monitor.

### LED Indicators

Status	LED Color
Full Power Mode	Green
Active-off Mode	Orange

See [Troubleshooting](#) for more information.

[Back to Contents Page](#)

[Back to Contents Page](#)


---

## Installing Drivers: AOC LCD Monitor

Please note that monitor drivers do not control the number of colors you can display in Windows. They only enable Windows to recognize the maximum resolution and refresh rate of your monitor. If you are having problems displaying more than 16 colors in Windows, you need to install a driver for your Video Card. Contact your Video Card or Computer maker for help.

---

## How To Optimize The DOS-MODE


1. Use the full-screen pattern which is attached in your driver-disk to start the adjustment (press twice at **Dos1.exe**, and expand the picture to full screen with pressing the icon  on the top of window, but there is nothing to press if the picture is already full screen).

If you don't have monitor driver disk, you can try the following way to get the full screen pattern at **MS-DOS** mode, type in **C:\>EDIT** [press enter]

You will in the Dos-Editor screen

2. Press "AUTO" button (at front bezel) during 2 seconds, the monitors will do all the adjustment automatically

If the **DOS-MODE** character still have distortion (ex : the picture can't go to full screen, the background of white pattern has vertical stripe noise, the character twisted), that means your monitor parameter was in wrong resolution, please change the resolution to 640x400 as following process:

- A). Press MENU to activate the OSD windows
- B). Press ◀ or ▶ to selected the icon 
- C). Press MUNU TO CONTIRM
- D). Press ◀ or ▶ to change to 640x400
- E). Press MENU to confirm, then press POWER button off then on to activate the setup

Finally press " **AUTO**" button again to make sure your performance

(notice: above procedure must process in full-screen pattern)

3. Press "**ESC**" to quit the pattern file, or press **ALT-F**, and then **X** to exit from the Dos-Editor screen

---

[Windows 95](#) • [Windows 98](#) • [Windows ME & 2000](#) • [Windows XP](#)

---

## Windows 95

1. Click **START**.
2. Click **SETTINGS**.
3. Select **CONTROL PANEL**.
2. From the **CONTROL PANEL**, double click the **DISPLAY** icon.
3. From the Display Properties Window, select the **SETTINGS** tab.
4. Click **CHANGE DISPLAY TYPE** or **ADVANCED PROPERTIES**.
5. Select **MONITOR** & Click **CHANGE**.
6. Click **HAVE DISK**.
7. Enter "**D:\ENGLISH\DRIVERS**" (where "D" is the driver letter of your CD ROM drive) in the space provided.
8. Click **OK**.
9. Double click your monitor's **MODEL NUMBER**.
10. Click **OK** and then Click **CLOSE**.

[Back To Top](#)

---

## Windows 98

1. Click **START**.
2. Select **SETTINGS**.
3. Select **CONTROL PANEL**.
4. From the **CONTROL PANEL**, double click the **DISPLAY** icon.
5. From the Display Properties Window, select the **SETTINGS** tab.
6. Click the **ADVANCED** button.
7. Click the **MONITOR** tab.
8. Click **CHANGE**.

If the "Update Device Driver Wizard" appears on the screen, follow steps 9, 10, & 11 otherwise skip to step 12.

9. Click **NEXT**.
10. Select "Display all the drivers in a specific location, so you can select the driver you want".
11. Click **NEXT**.
12. Click **HAVE DISK**.
13. Enter "**D:\ENGLISH\DRIVERS**" (where "D" is the driver letter of your CD ROM drive) in the space provided.
14. Click **OK**.
15. Make sure that the line "**SHOW ALL HARDWARE**" is the one that is selected from the two available choices. Double click the model from the list provided that matches the **MODEL** of your monitor.



16. Click **NEXT**.
17. Click **FINISH**.
18. Click **CLOSE**.
19. Click **OK**.

[Back To Top](#)

---

## Windows ME & 2000

1. Click **START**.
2. Click **SETTINGS**.
3. Select **CONTROL PANEL**.
4. From the **CONTROL PANEL**, double click the **DISPLAY** icon.
5. From the Display Properties Window, select the **SETTINGS** tab.
6. Click **ADVANCED**.
7. Click **MONITOR**.
8. Click **PROPERTIES**.
9. Click **DRIVER**.
10. Click **UPDATE DRIVER**.
11. Click **NEXT**.
12. Select "DISPLAY a list .....".
13. Select **HAVE DISK**.
14. Enter "**D:\ENGLISH\DRIVERS**" (where "D" is the driver letter of your CD ROM drive) in the space provided.
15. Click **OK**.
16. Select your model from the list provided by double clicking the model.
17. Click **NEXT**.
18. Click **FINISH**.
19. Click **CLOSE**.
20. Click **OK**.
21. Click **OK**.

[Back To Top](#)

---

## Windows XP

1. "Right Click" the mouse anywhere on the "BLANK" area on the desktop and click on **PROPERTIES**.
2. Click the **SETTINGS** tab and then click **ADVANCED**.
3. Click the **MONITOR** tab and then click **PROPERTIES**.
4. Under **MONITOR PROPERTIES**, click **DRIVER** then click **UPDATE DRIVER**.
5. On the **HARDWARE UPDATE WIZARD**, select Install from a list of specific location (**ADVANCED**) then click Next.
6. On the next **HARDWARE UPDATE WIZARD** window, select **DON'T SEARCH, I WILL CHOOSE THE DRIVER TO INSTALL**. Then click **NEXT**.
7. On the following window, click on **HAVE DISK**.
8. Type "**D:\ENGLISH\DRIVERS**" (Where "D" is the drive letter of your CD ROM Drive) on **INSTALL FROM DISK** window then click on **OK**.
9. Highlight the model of your monitor on the following list under **HARDWARE UPDATE WIZARD** then click **NEXT**.

Note: If Windows prompts you that the driver is not signed, click **CONTINUE ANYWAY**.

10. On the last window of **HARDWARE UPDATE WIZARD** click **FINISH** to complete the installation.

11. After the monitor driver installation has been done, restart the computer to update the windows setup for driver installation.

[Back To Top](#)

---

[Back to Contents Page](#)

[Back to Contents Page](#)

## TECHNICAL SUPPORT (FAQ)

Problem & Question	Possible Solutions
<p><b>Power LED Is Not ON</b></p>	<ul style="list-style-type: none"> <li>• Make sure the power button is ON and the Power Cord is properly connected to a grounded power outlet and to the monitor.</li> </ul>
<p><b>No Plug &amp; Play</b></p>	<ul style="list-style-type: none"> <li>• In order for the Plug &amp; Play feature of the monitor to work, you need a Plug &amp; Play compatible computer &amp; video card. Check with your computer manufacturer. Also check the monitor's video cable and make sure none of the pins are bent.</li> <li>• Make sure the AOC Monitor Drivers are installed (AOC Monitor Drivers are available at : <a href="http://www.aoc-europe.com">http://www.aoc-europe.com</a>)</li> </ul>
<p><b>Picture Is Fuzzy &amp; Has Ghosting Shadowing Problem</b></p>	<ul style="list-style-type: none"> <li>• Adjust the Contrast and Brightness Controls.</li> <li>• Make sure you are not using an extension cable or switch box. We recommend plugging the monitor directly to the video card output connector on the back of your computer.</li> </ul>
<p><b>Picture Bounces, Flickers Or Wave Pattern Is Present In The Picture</b></p>	<ul style="list-style-type: none"> <li>• Move electrical devices that may cause electrical interference as far away from the monitor as possible.</li> <li>• Use the maximum refresh rate your monitor is capable of at the resolution you are using.</li> </ul>
<p><b>Monitor Is Stuck In "Active Off-Mode"</b></p>	<ul style="list-style-type: none"> <li>• The Computer Power Switch should be in the ON position.</li> <li>• The Computer Video Card should be snugly seated in its slot.</li> <li>• Make sure the monitor's video cable is properly connected to the computer.</li> <li>• Inspect the monitor's video cable and make sure none of the pins are bent.</li> <li>• Make sure your computer is operational</li> </ul>

	<p>by hitting the CAPS LOCK key on the keyboard while observing the CAPS LOCK LED. The LED should either turn ON or OFF after hitting the CAPS LOCK key.</p>
<p><b>Missing one of the primary colors (RED, GREEN, or BLUE)</b></p>	<ul style="list-style-type: none"> <li>• Inspect the monitor's video cable and make sure that none of the pins are bent.</li> <li>• Make sure the monitor's video cable is properly connected to the computer.</li> </ul>
<p><b>Screen image is not centered or sized properly</b></p>	<ul style="list-style-type: none"> <li>• Adjust pixel frequency (CLOCK) and FOCUS or press hot-key (AUTO)</li> </ul>
<p><b>Picture has color defects (white does not look white)</b></p>	<ul style="list-style-type: none"> <li>• Adjust RGB color or select color temperature</li> </ul>
<p><b>Poor brightness or contrast</b></p>	<ul style="list-style-type: none"> <li>• The life time of the back-light is limited. In 20,000 hours the luminance of the light could be reduced to half of its original value. Please send the monitor to an authorized service Agent for service.</li> </ul>
<p><b>Horizontal or vertical disturbances on the screen</b></p>	<ul style="list-style-type: none"> <li>• Use win 95/98 shut-down mode Adjust CLOCK and FOCUS or perform hot-key (AUTO-key )</li> </ul>
<p><b>LCD Pixel Criteria</b></p>	<ul style="list-style-type: none"> <li>• In order to provide the highest performing products, AOC has set the the following limit as to the maximum allowable number of pixel anomalies:  5 Bright Sub-pixels, 5 Dark Sub-pixels or a combination or 8 Dark &amp; Bright Sub-pixels</li> </ul>

The panel used on our LM720 series monitors has a total of 2,359,296 sub-pixels. So even the maximum allowed of 8 non-performing sub-pixels would only amount to a very small 0.00033% of the total sub-pixels.

[Back to Contents Page](#)

[Back to Contents Page](#)

## Specifications: AOC LM720 Series LCD Monitor

[General](#) • [LCD Panel](#) • [Speakers](#) • [Resolution](#) • [Preset Display Modes](#) • [Environmental](#) • [Physical Characteristics](#) • [Regulations](#) • [ENERGY STAR®](#) • [Pin Assignments](#) • [Plug and Play Feature](#)

---

### General

Model number	LM720 Series
--------------	--------------

---

### LCD Panel(17")

Driving system	TFT Color LCD
Size	43.2cm(17.0" )
Pixel pitch	0.264mm(H) x 0.264mm(V)
Viewable angle	130° (H) 110°(V)
Response time	30 ms
Video	R, G, B Analog Interface
Separate Sync.	H/V TTL
Display Color	16.7million Colors
Dot Clock	135MHz

---

### Resolution

Horizontal scan range	30 kHz to 80 kHz
Horizontal scan Size(Maximum)	13.3"(337.92mm)
Vertical scan range	55 Hz to 75 Hz
Vertical scan Size(Maximum)	10.6"(270.34mm)
Optimal preset resolution	1280 x 1024 at 60 Hz
Highest preset resolution	1280 x 1024 at 75 Hz
Highest addressable resolution	1280 x 1024 at 75 Hz
Plug & Play	VESA DDC1/2B™
Input Connector	D-Sub 15pin
Input Video Signal	Analog: 0.7Vp-p(standard), 75 OHM, Positive
Power Source	100~240VAC, 50~60Hz

---

## Preset Display Modes

Standard	Resolution	Horizontal Frequency (kHz)	Vertical Frequency (Hz)
Dos-mode	640 x 350	31.47	70.0
Dos-mode	640 x 400	31.47	70.0
Dos-mode	720 x 400	31.47	70.0
VGA	640 x 480	31.47	60.0
VGA	640 x 480	35.00	66.6
VGA	640 x 480	37.50	75.0
VGA	640 x 480	37.86	72.0
SVGA	800 x 600	37.879	60.0
SVGA	800 x 600	46.875	75.0
SVGA	800 x 600	35.16	56.0
SVGA	800 x 600	48.01	72.0
SVGA	832 x 624	49.725	75.0
XGA	1024 x 768	48.363	60.0
XGA	1024 x 768	56.476	70.0
XGA	1024 x 768	60.02	75.0
SXGA	1280 x 1024	64.00	60.0
SXGA	1280 x 1024	80.00	75.0

## Physical Characteristics

Connector Type                      15-pin Mini D-Sub  
Signal Cable Type                  Attached To Monitor

### Dimensions & Weight:

#### LM720

Height (with base)                      16.65 inches (423 mm )

Width    16.02 inches (407 mm )

Depth	8.5 inches (215 mm )
Weight (monitor only)	11.01 lb (5.0 kg )
Weight (with packaging)	14.76 lb (6.7 kg )

---

## Environmental

### Temperature:

Operating	+5° to +50°
Non-Operating	-20° to 65°

### Humidity:

Operating	10% to 85% (non-condensing)
Non-Operating	5% to 85% (non-condensing)

### Altitude:

Operating	0~3000m (0~10000 ft)
Non-Operating	0~5000m (0~15000 ft)

---

## Regulations

UL, FCC, CSA, TUV/GS, CE, ISO13406-2, TCO99, Windows® XP

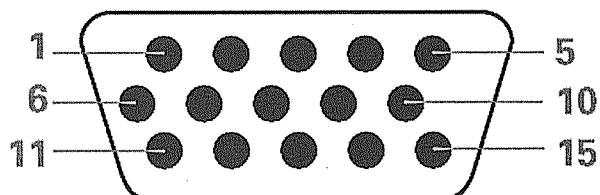
## EPA ENERGY STAR®



ENERGY STAR® is a U.S. registered mark. As an ENERGY STAR® Partner, AOC International (Europe) GmbH has determined that this product meets the ENERGY STAR® guidelines for energy efficiency.

---

## Pin Assignments





Pin Number	15-Pin Side of the Signal Cable
1	Video-Red
2	Video-Green
3	Video-Blue
4	GND
5	DDC-Return
6	GND-R
7	GND-G
8	GND-B
9	+5V
10	Detect Cable
11	Ground
12	DDC-Serial data
13	H-sync
14	V-sync
15	DDC-Serial clock

---

## Plug and Play DDC1/2B Feature

### Plug & Play DDC1/2B Feature

This monitor is equipped with VESA DDC1/2B capabilities according to the VESA DDC STANDARD. It allows the monitor to inform the host system of its identity and, depending on the level of DDC used, communicate additional information about its display capabilities. The communication channel is defined in two levels, DDC1 and DDC2B.

The DDC1 is a unidirectional data channel from the display to the host that continuously transmits EDID information. The DDC2B is a bi-directional data channel based on the I<sup>2</sup>C protocol. The host can request EDID information over the DDC2B channel.

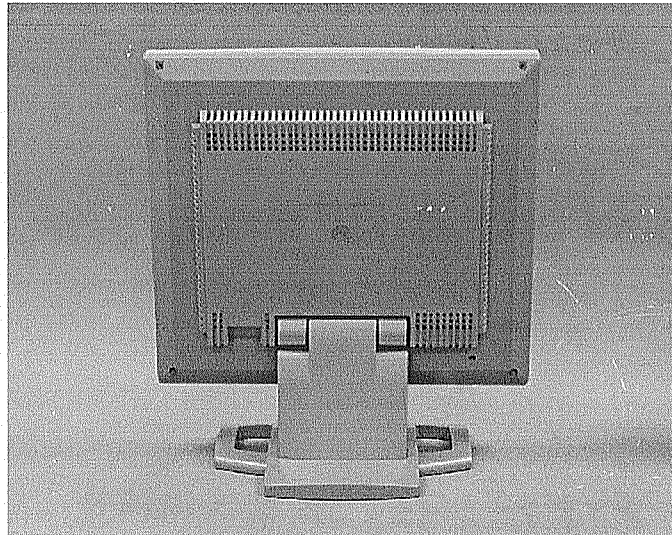
---

[Back to Contents Page](#)

[Back to Contents Page](#)

## Back View: AOC LM720 Series LCD Monitor

---



The color of the cabinet may vary

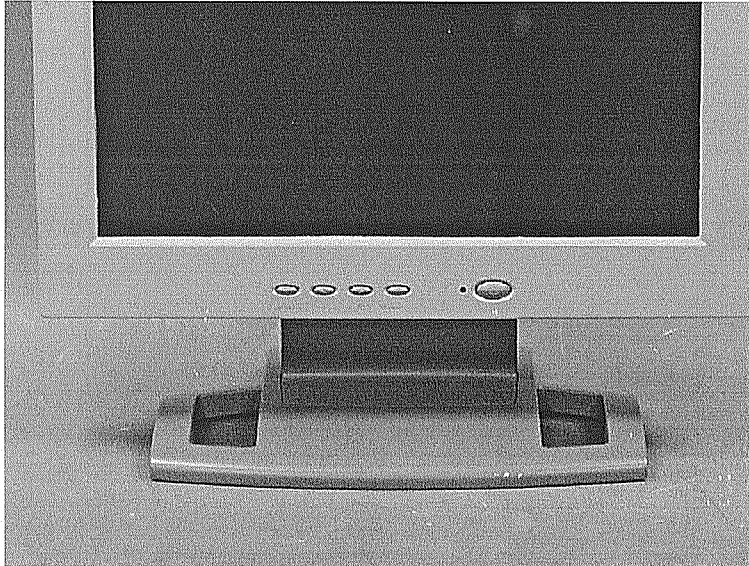
---

[Back to Contents Page](#)

[Back to Contents Page](#)

## Bottom View: AOC LM720 Series LCD Monitor

---



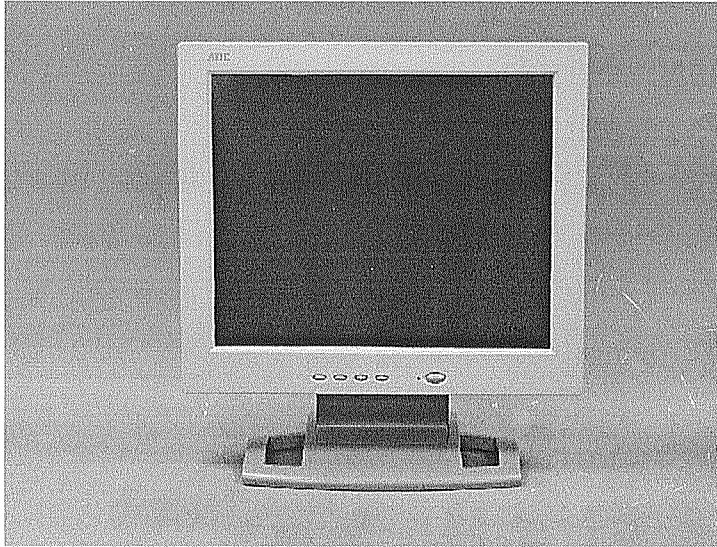
The color of the cabinet may vary

---

[Back to Contents Page](#)

[Back to Contents Page](#)

## Front View: AOC LM720 Series LCD Monitor



The color of the cabinet may vary

---

[Back to Contents Page](#)

[Back to Contents Page](#)

## Side View: AOC LM720 Series LCD Monitor



The color of the cabinet may vary

---

[Back to Contents Page](#)

[Back to Contents Page](#)

## FCC Class B Statement: AOC LCD Monitor

---

### FCC Class B Radio Frequency Interference Statement **WARNING: (FOR FCC CERTIFIED MODELS)**

**NOTE:** This equipment has been tested and found to comply with the limits for a Class B digital device, pursuant to Part 15 of the FCC Rules. These limits are designed to provide reasonable protection against harmful interference in a residential installation. This equipment generates, uses and can radiate radio frequency energy, and if not installed and used in accordance with the instructions, may cause harmful interference to radio communications. However, there is no guarantee that interference will not occur in a particular installation. If this equipment does cause harmful interference to radio or television reception, which can be determined by turning the equipment off and on, the user is encouraged to try to correct the interference by one or more of the following measures:

1. Reorient or relocate the receiving antenna.
2. Increase the separation between the equipment and receiver.
3. Connect the equipment into an outlet on a circuit different from that to which the receiver is connected.
4. Consult the dealer or an experienced radio/TV technician for help.

#### **NOTICE :**

1. The changes or modifications not expressly approved by the party responsible for compliance could void the user's authority to operate the equipment.
  2. Shielded interface cables and AC power cord, if any, must be used in order to comply with the emission limits.
  3. The manufacturer is not responsible for any radio or TV interference caused by unauthorized modification to this equipment. It is the responsibilities of the user to correct such interference.
- 

[Back to Contents Page](#)

[Back to Contents Page](#)

## Warranty Statement

---

### LIMITED THREE-YEAR WARRANTY\*

#### AOC Spectrum Color Monitors sold within Europe

AOC International (Europe) GmbH warrants this product to be free from defects in material and workmanship for a period of Three (3) years after the original date of consumer purchase. During this period, AOC International (Europe) GmbH will, at its option, either repair the defective product with new or rebuilt parts, or replace it with a new or rebuilt product at no charge except as \*stated below. The defective products that are replaced become the property of AOC International (Europe) GmbH.

If the product appears to be defective, please contact your local dealer or refer to the warranty card when attached to the product.

Deliver the product freight pre-paid, along with the dated proof of purchase, to the AOC Authorized Service Center. If you cannot deliver the product in person:

- Pack it in its original shipping container (or equivalent)
- Put the RMA number on the address label
- Put the RMA number on the shipping carton
- Insure it (or assume the risk of loss/damage during shipment)
- Pay all shipping charges

AOC International (Europe) GmbH is responsible neither for any damage or loss during inbound transport damage nor to inbound product that was not properly packaged.

AOC International (Europe) GmbH will pay the return shipping charges within one of the countries specified within this warranty statement. AOC International (Europe) GmbH is not responsible for any costs associated with the transportation of product across international borders. This includes the international border within the European Union.

\* This limited warranty does not cover any losses or damages that occur as a result of

- Shipping or improper installation or maintenance
- Misuse
- Neglect
- Any cause other than ordinary commercial or industrial application
- Adjustment by non-authorized source
- Repair, modification, or installation of options or parts by anyone other than an AOC Authorized Service Center
- Improper environment
- Excessive or inadequate heating or air conditioning or electrical powers failures, surges, or other irregularities

This limited warranty does not cover any of the product firmware or hardware that you or any third party have modified or altered; you bear the sole responsibility and liability for

any such modification or alteration.

ALL EXPRESS AND IMPLIED WARRANTIES FOR THIS PRODUCT (INCLUDING THE WARRANTIES OF MERCHANTABILITY AND FITNESS FOR A PARTICULAR PURPOSE) ARE LIMITED IN DURATION TO A PERIOD OF THREE (3) YEARS FOR PARTS AND LABOR FROM THE ORIGINAL DATE OF CONSUMER PURCHASE. NO WARRANTIES (EITHER EXPRESSED OR IMPLIED) APPLY AFTER THIS PERIOD.

AOC INTERNATIONAL (EUROPE) GMBH OBLIGATIONS AND YOUR REMEDIES HEREUNDER ARE SOLELY AND EXCLUSIVELY AS STATED HERE. AOC INTERNATIONAL (EUROPE) GMBH LIABILITY, WHETHER BASED ON CONTRACT, TORT, WARRANTY, STRICT LIABILITY, OR OTHER THEORY, SHALL NOT EXCEED THE PRICE OF THE INDIVIDUAL UNIT WHOSE DEFECT OR DAMAGE IS THE BASIS OF THE CLAIM. IN NO EVENT SHALL AOC INTERNATIONAL (EUROPE) GMBH BE LIABLE FOR ANY LOSS OF PROFITS, LOSS OF USE OR FACILITIES OR EQUIPMENT, OR OTHER INDIRECT, INCIDENTAL, OR CONSEQUENTIAL DAMAGE. SOME STATES DO NOT ALLOW THE EXCLUSION OR LIMITATION OF INCIDENTAL OR CONSEQUENTIAL DAMAGES, SO THE ABOVE LIMITATION MAY NOT APPLY TO YOU. ALTHOUGH THIS LIMITED WARRANTY GIVES YOU SPECIFIC LEGAL RIGHTS, YOU MAY HAVE OTHER RIGHTS, WHICH MAY VARY FROM COUNTRY TO COUNTRY. THIS LIMITED WARRANTY IS ONLY VALID FOR PRODUCTS PURCHASED IN THE MEMBER COUNTRIES OF THE EUROPEAN UNION.

---

[Back to Contents Page](#)