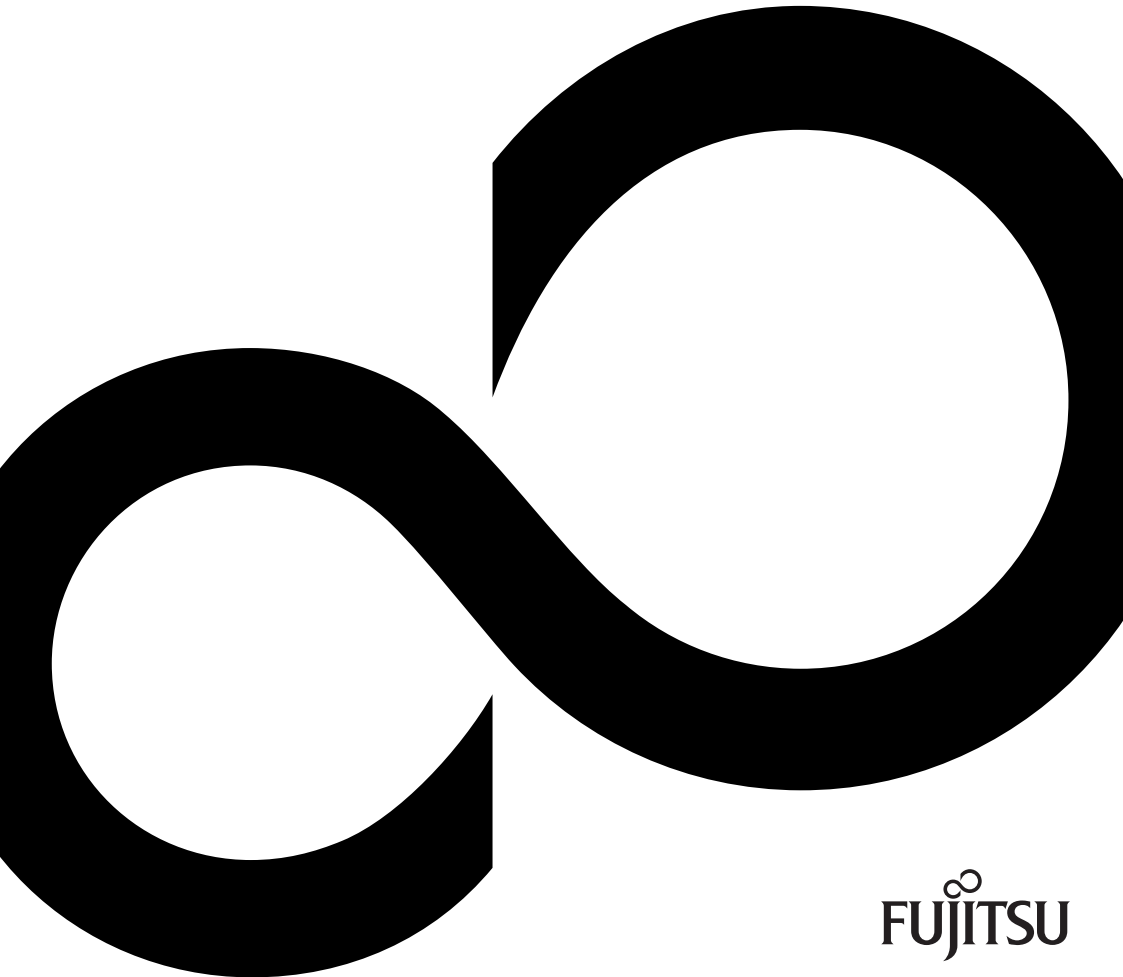


Presenter IV Air



Are there ...

... any technical problems or questions relating to the product?

Please contact:

- our Service Desk
- your Sales Partner
- your Sales Outlet

The latest information on our products, as well as tips, updates etc., can be found on the internet at <http://ts.fujitsu.com>

Service Desk on the Internet: <http://ts.fujitsu.com/support/servicedesk.html>

**Copyright**

© Fujitsu Technology Solutions 2009
2009/09

Published by

Fujitsu Technology Solutions GmbH
Mies-van-der-Rohe-Straße 8
80807 München, Germany

Contact

<http://ts.fujitsu.com/support>

All rights reserved, including intellectual property rights. Technical data subject to modifications and delivery subject to availability. Any liability that the data and illustrations are complete, actual or correct is excluded. Designations may be trademarks and/or copyrights of the respective manufacturer, the use of which by third parties for their own purposes may infringe the rights of such owner. For further information see http://ts.fujitsu.com/terms_of_use.html

Order-No. Fujitsu Technology Solutions: A26381-K440-Z200-1-7619, Edition 1

Presenter IV Air

Operating Manual

Fujitsu Presenter

Setting up the device

Troubleshooting and tips

Technical Data

September 2009 edition

Windows 7, Windows Vista and Windows XP are trademarks of Microsoft Corporation.

All other product and service marks referred to in this publication are trademarks of the respective owners, whose legal protection is hereby recognised.

Copyright © Fujitsu Technology Solutions GmbH 2009

All rights, including translation or reproduction (printing, copying or similar) of this manual in part or in whole, are reserved.

Noncompliance is subject to compensation for damages.

All rights, including rights created by patent grant or registration of a utility model or design, are reserved.

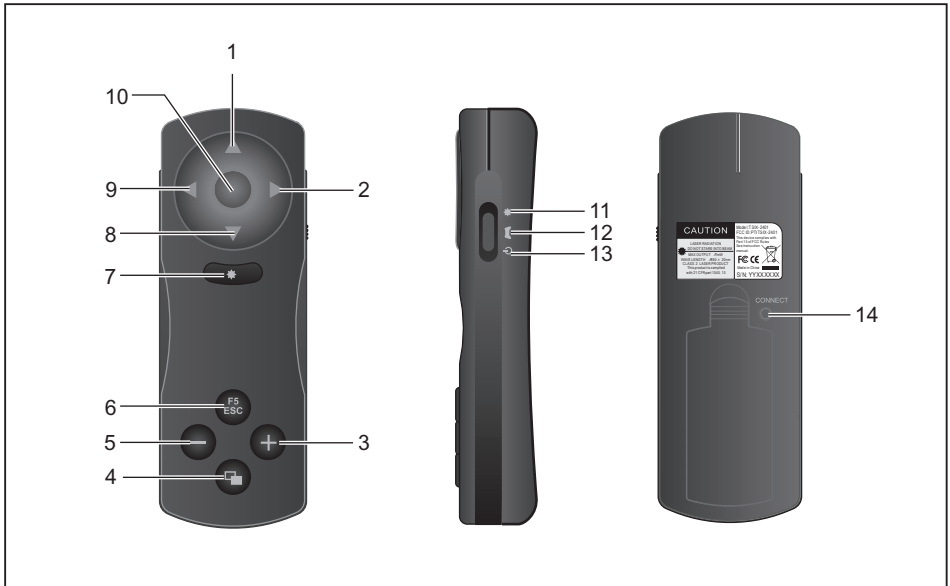
Delivery is subject to availability of the product. Subject to technical modifications.

Contents

Fujitsu Presenter...	1
Delivery package	2
Notational conventions	3
CE marking	3
Disposal of waste electrical and electronic equipment	3
Transportation	3
Safety notes	4
FCC Compliance Statement	5
Setting up the device	6
Installing Batteries	6
Synchronizing the Mini-receiver with the computer	6
Fujitsu Presenter basic operation	7
Presenter Mode	8
Game Mode	9
User information about Fujitsu Presenter	10
Troubleshooting and tips	11
Fujitsu Presenter cannot be used. Why?	11
Fujitsu receiver LED is not on	11
Technical data	12
Terms of responsibility	13

Fujitsu Presenter...

Congratulations on your purchase of the Fujitsu Presenter for amazing user experience of presenter, wireless game controller and air mouse functions. Before use, please review the user manual carefully and follow the instructions. In addition, keep this manual in a safe location for future reference.

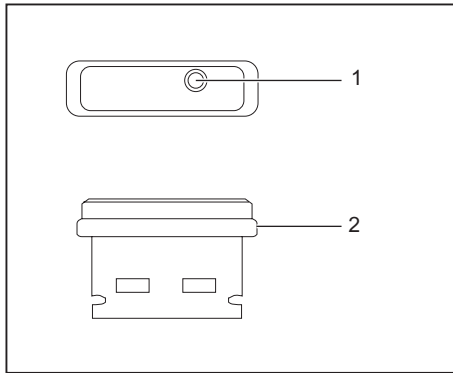


- 1 = Page up
- 2 = Mouse right key
- 3 = Volume up
- 4 = Blank page
- 5 = Volume down
- 6 = F5/ESC
- 7 = Laser

- 8 = Page down
- 9 = Mouse left key
- 10 = Mouse On/Off
- 11 = Presenter Mode
- 12 = Game Mode
- 13 = Power Off
- 14 = Connect Button

Mini Receiver

Shows the status of the Fujitsu Presenter. LED is lit when the presenter is on.



1 = Connect Button

2 = LED

Delivery package

Make sure the following components are in the package or otherwise contact your dealer for assistance.

- Fujitsu Presenter
- Mini-receiver
- Two AAA Alkaline Batteries
- Quick Start Guide and Helpdesk Flyer
- CD

Notational conventions

The following conventions apply in this manual:



indicates information that refers to risks of injury.



indicates information that must be complied with to ensure the correct use of the system.



indicates procedures that must be carried out.

This font

indicates programme names, commands or menu options.

"Quotation marks"

are used for names of chapters, data carriers or terms that require emphasis.

CE marking



At the time of delivery, the device complies with the following EU directives: Directive 2004/108/EC of the European Parliament regarding the approximation of the laws of the Member States relating to electromagnetic compatibility and Directive 2006/95/EC of the European Parliament regarding the approximation of the laws of the Member States relating to electrical equipment designed for use within certain voltage limits.

Disposal of waste electrical and electronic equipment



This device must not be disposed of with household waste. The device is subject to Directive 2002/96/EC of the European Parliament and the Council dated January 27, 2003 regarding waste electrical and electronic equipment. This directive contains provisions which apply throughout the EU regarding the return and recycling of waste equipment. To return your used device, please use the return and collection systems available to you. You will find further information on this at <http://ts.fujitsu.com/recycling>.

Transportation



Transport the device only in its original packaging or other suitable packaging to protect it from knocks and jolts.

The device should only be unpacked at the location where it is to be used.

Safety notes

Batteries



- If any battery leakage occurs, thoroughly wash the affected surfaces with a large amount of water and immediately obtain medical treatment.
- Do not dispose of batteries in a fire.
- Do not use deformed or non-assigned batteries.
- Do not use metal to short the positive (+) and negative (-) ends.
- Do not put the batteries in backwards. Make sure that the positive (+) and negative (-) ends are in their correct positions.



- Do not mix used and new batteries, and do not mix different brands of batteries.
- Do not recharge alkaline or non-rechargeable batteries.
- Do not leave batteries in the device for long periods of non-use.
- Do not use damaged, deformed or leaking batteries.
- If battery leakage occurs in the device, stop usage immediately and send it to the Fujitsu maintenance center for inspection.
- The device uses AAA batteries or AAA rechargeable nickel metal hydride (NiMH) batteries. If you use rechargeable NiMH batteries, be sure to follow the manufacturer's guidelines for safe and proper usage.
- Do not use batteries in locations where the temperature rapidly changes.
- When disposing of the batteries, follow the regulations of your local government.

Laser Pointer

Misuse the Laser Pointer with procedures other than those specified herein may result in hazardous radiation exposure.



- Do not stare into beam.
- Do not shine a laser pointer at anyone.
- Do not allow children to use a laser pointer without supervised.
- Do not point a laser pointer at a mirror-like surface.

FCC Compliance Statement

The following statement applies to the products covered in this manual, unless otherwise specified herein. The statement for other products will appear in the accompanying documentation.

NOTE:

This equipment has been tested and found to comply with the limits for a "Class B" digital device, pursuant to Part 15 of the FCC rules and meets all requirements of the Canadian Interference-Causing Equipment Regulations. These limits are designed to provide reasonable protection against harmful interference in a residential installation. This equipment generates, uses and can radiate radio frequency energy and, if not installed and used in strict accordance with the instructions, may cause harmful interference to radio communications. However, there is no guarantee that interference will not occur in a particular installation. If this equipment does cause harmful interference to radio or television reception, which can be determined by turning the equipment off and on, the user is encouraged to try to correct the interference by one or more of the following measures:

- Reorient or relocate the receiving antenna.
- Increase the separation between equipment and the receiver.
- Connect the equipment into an outlet on a circuit different from that to which the receiver is connected.
- Consult the dealer or an experienced radio/TV technician for help.

The manufacturer is not responsible for any radio or television interference caused by unauthorized modifications of this equipment or the substitution or attachment of connecting cables and equipment other than those specified by the manufacturer. The correction of interference caused by such unauthorized modification, substitution or attachment will be the responsibility of the user.

The use of shielded I/O cables is required when connecting this equipment to any and all optional peripheral or host devices. Failure to do so may violate FCC rules.

Contact persons

Applicant for this device:

Fujitsu Technology Solutions GmbH
Bürgermeister-Ulrich-Str. 100
86199 Augsburg
Germany
Alexander Peschka

Responsible Party (US):

Fujitsu America, Inc.
1250 E. Arques Avenue
Sunnyvale, CA 94085
U.S.A.
Bernd Henning
Phone No.: (408) 329-6737
Fax No.: (408) 746-8299

Setting up the device

Installing Batteries

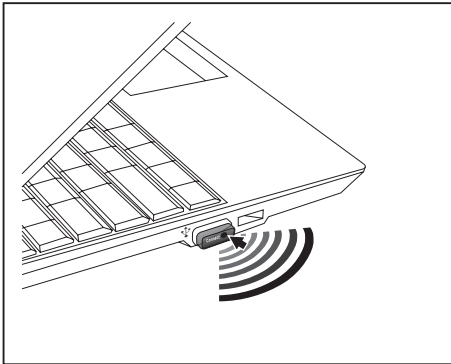
The device uses two AAA batteries. Fujitsu recommends high quality alkaline batteries for best performance and longevity of battery life. If you use rechargeable nickel metal hydride (NiMH) batteries, be sure to follow the manufacturer's guidelines for safety and proper usage.

- ▶ Remove the battery cover and put in two AAA alkaline batteries. Be sure to insert the negative (-) end first when inserting new batteries, and remove the plus (+) end first when replacing the batteries.
- ▶ Replace the battery cover, ensure that it slides closed with a "click".

Synchronizing the Mini-receiver with the computer



- ▶ The pairing between the Fujitsu Presenter and mini-receiver is completed by factory. In the event that the Presenter does not sync with the receiver, refer to the following instructions:



- ▶ Make sure the computer power is on.
- ▶ Insert the mini-receiver in a USB port and press the Connect button once.

At this time, the receiver LED will flash slowly.

- ▶ Make sure the Fujitsu Presenter is in either Game mode or Presenter mode.
- ▶ Press the Connect button on the presenter once.

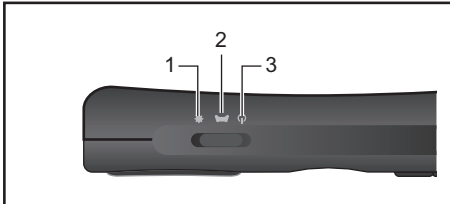
The blue LED on the receiver will then flash quickly and the synchronizing is completed now. After a successful connection, the receiver LED will stay on all the time.

If you do not have a successful connection, repeat above steps.

Fujitsu Presenter basic operation

There are two modes of this product:

- Presenter mode (Presenter and Air Mouse functions are available)
- Game mode (Standard Microsoft wireless game controller function is available)



- 1 = Presenter Mode
- 2 = Game Mode
- 3 = Power Off

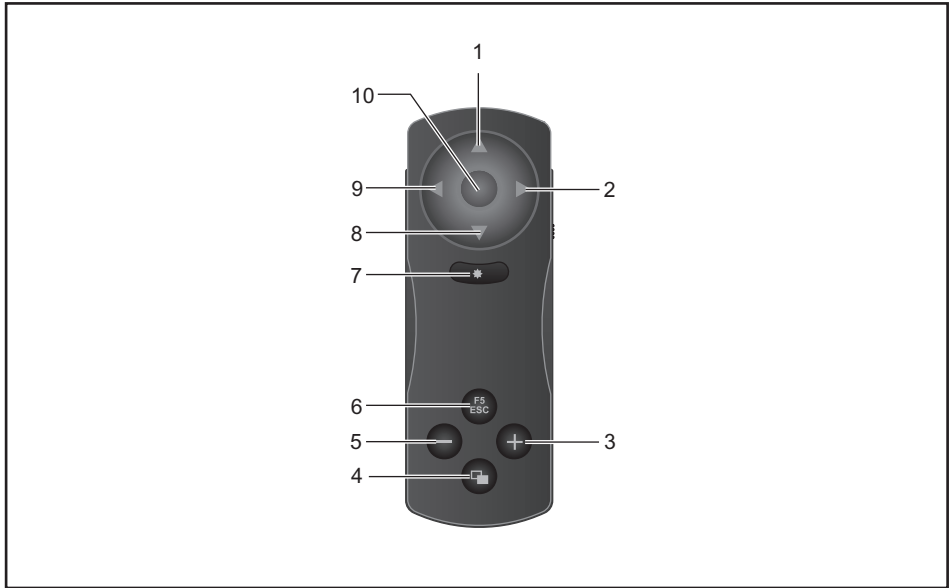
Mode Switch

- ▶ Use the switch to change modes you want or turn off the presenter.

Presenter mode

- ▶ Change the switch to Presenter mode on the Fujitsu Presenter.

Presenter Mode



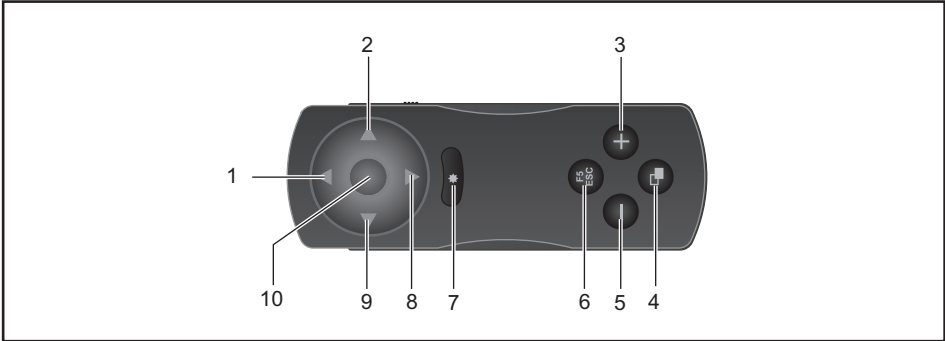
- 1 = Page up
- 2 = Mouse right key
- 3 = Volume up
- 4 = Blank Page
- 5 = Volume down
- 6 = F5/ESC
- 7 = Laser
- 8 = Page down
- 9 = Mouse left key
- 10 = Mouse On/Off

▲	UP	Power point page up
▶	RIGHT	Mouse right key
⊕	Volume up	Power point volume up
□	Blank page	Power point blank page
⊖	Volume down	Power point volume down
F5 ESC	F5/ESC	Power point F5 and ESC
*	Laser	Laser on / off button
▼	DOWN	Power point page down
◀	LEFT	Mouse left key
⊙	Mouse	Double click for turn on the cursor automatically. Press and hold for semi-automatically

Game Mode

► Change the switch to Game mode on the Fujitsu Presenter.

i The Fujitsu Presenter will only work on the PC in games that support “Microsoft Standard Game Controller” while switch to Game mode.



- 1 = Up
- 2 = Left
- 3 = Button 4
- 4 = Button 5
- 5 = Button 6
- 6 = Button 3
- 7 = Button 2
- 8 = Right
- 9 = Down
- 10 = Button 1

▲	UP	Microsoft standard game controller button up
▶	RIGHT	Microsoft standard game controller button right
⊕	Button 4	Microsoft standard game controller button 4
⊞	Button 5	Microsoft standard game controller button 5
⊖	Button 5	Microsoft standard game controller button 6
F5/ESC	Button 3	Microsoft standard game controller button 2
*	Button 2	Microsoft standard game controller button 2
▼	DOWN	Microsoft standard game controller button down
◀	LEFT	Microsoft standard game controller button left
○	Button 1	Microsoft standard game controller button 1

i Make sure your software supports Microsoft Standard Game Controller.
 The function of the game pad buttons may vary in different games. Read the manual of your games carefully to set the best game settings before proceeding to game settings.

User information about Fujitsu Presenter

- ▶ Facing the computer screen, the distance between the receiver and the tip of the Fujitsu Presenter should be maintained at 1~5 meters.
- ▶ Make sure there are no people or objects at arms length between the Fujitsu Presenter and the receiver.
- ▶ If there is any equipment that may interfere with the radio frequency in the surrounding area of the Fujitsu Presenter and the receiver, keep a distance from that area or stop using the other devices.



The Fujitsu Presenter must be synchronized with the mini receiver for usage. A successful synchronization will keep the receiver LED on at all times.

If the first connection fails, refer to section “Synchronizing the Mini-receiver with the computer” and follow the steps again.

Troubleshooting and tips

If any of the following situations occur while using the Fujitsu Presenter, refer to the following Q&A list for help:

Fujitsu Presenter cannot be used. Why?

Cause	Troubleshooting
Is the Fujitsu Presenter power on?	▶ Make sure the Fujitsu Presenter power is on. If so, make sure the batteries are correctly positioned in the Fujitsu Presenter.
Is the Fujitsu Presenter in standby mode?	▶ If the Fujitsu Presenter has not been used for 60 seconds, it will enter standby mode. Press any button of the Fujitsu Presenter to re-activate it.
Is the receiver plugged in?	▶ Make sure the receiver is plugged-in correctly and the LED is always on.
Is there any interference with the position of the receiver?	▶ Remove any obstacles in front of the receiver and make sure you can clearly see the front of the receiver.
Is the distance between the Fujitsu Presenter and the receiver too close or too far?	▶ Keep a distance between the Fujitsu Presenter and the receiver of 1~5 meters.

Fujitsu receiver LED is not on

Cause	Troubleshooting
Is the power on?	▶ Make sure the computer power is on and the Fujitsu Presenter is not in the Power Off mode.
Is the distance too far?	▶ If the Fujitsu Presenter is too far away, the receiver cannot detect it. Maintain a distance between the Fujitsu Presenter and the receiver of 1~5 meters.
Has the synchronization of the Fujitsu Presenter failed?	▶ Refer to section "Synchronizing the Fujitsu receiver with the computer" for synchronization information.



If any of the above solutions do not correct your problem or you have a question, visit our website, "<http://support.ts.fujitsu.com>", for supplemental and/or updated information about our product.

Technical data

General	
Interface	Compatible with USB 1.1 and 2.0
Frequency Band	2,402~2,480 GHz
Data rate (maximum)	2 Mbps
Laser class	Class 2 laser, red
Power supply	2 x AAA alkaline batteries
Battery life	95 Hr (under 2200 mA/h battery for max. continuous operating mode)
Operating range	10 m (depending on radio interference in the vicinity)
Dimensions and weight	
Dimension (L x W x H)	108.5 x 38 x 22.5 mm
Weight	Approx. 70 g (including 2 alkaline batteries)
Current consumption	
Presenter mode	<ul style="list-style-type: none"> ● Active mode: approx. 6.4 mA ● Sleep mode: approx. 1 uA ● Laser pointer active: approx. 23 mA
Game mode	<ul style="list-style-type: none"> ● Active mode: approx. 6.4 mA ● Sleep mode: approx. 1 uA
Receiver	<ul style="list-style-type: none"> ● Active mode: 25 mA ● USB suspend: 1 mA

Terms of responsibility

In addition to the relevant laws and regulations, the following situations are not included in the warranty scope or liability of the company:

- Product damage that has resulted from inappropriate product usage.
- Product damage that has resulted from product repair without written authorization of the company.
- User-inflicted product damage.
- Product damage that has resulted from using the product in an abnormal environment.
- Product damage caused by natural disasters.
- Products without Fujitsu-issued serial numbers.
- Damage caused by using software or an object not provided by the company.
- Samples, testers, non-mass production products and software.
- Products under an expired warranty.

The liabilities of the company only include direct and actual damage. It does not include indirect, incidental or special damage (such as expected profit loss and moral damage compensation) and punitive damages. In addition to other regulations, the liabilities of the company to users will require the company, at most, to replace the Fujitsu Presenter with the latest model.

REV	ECN NO.	DESCRIPTION OF REVISION	ENG APPD	DATE
2			Shely	2009.11.11

正面

90 mm

126 mm

FCC Caution:

Any changes or modifications not expressly approved by the party responsible for compliance could void the user's authority to operate this equipment.

This device complies with Part 15 of the FCC Rules.

Operation is subject to the following two conditions:
 (1) This device may not cause harmful interference, and (2) this device must accept any interference received, including interference that may cause undesired operation.

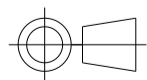
This device and its antenna(s) must not be co-located or operating in conjunction with any other antenna or transmitter.

背面

- ⚠ Laser Radiation
Do not stare into the beam
Laser Class II
- ⚠ Laserstrahlung
Niemals in den Laserstrahl sehen
Laserklasse II
- ⚠ Rayonnement laser
Ne regardez jamais dans le rayon
Laser Classe II
- ⚠ Radiazioni laser
Non fissare il raggio laser
Classe Laser II
- ⚠ Rayo laser
No mire al haz de luz
Clase de láser II

備註:

- 1.尺寸:L126*W90mm
- 2.顏色:白底黑字(雙面印刷)
- 3.材質:80P模造紙
- 4.詳細色澤及印刷請依照承認樣品
- 5.所有材質均要符合Topseed Green技術標準
TS-QA-M-001及Topseed客戶環保標準

topseed® TOPSEED TECHNOLOGY CORP.				REV	TYPE	PART NAME	PART NO.	
				2	PRCIX07G2404-0	FCC 警語	KAC0003750	
泡棉公差表	PE袋公差表		珍珠棉袋公差表	A	THE TOLERANCE OF GRAPHICS PRINTING CENTER IS ±0.3MM	UNIT	SCALE	THIRD ANGLE PROJECTION 
315-500	±5	500以上	±10			500以上	±10	
120-315	±4	300-500	±10	300-500	±10			
50-120	±3	125-300	10 -5	125-300	10 -5			
15-50	±2	50-125	±5	50-125	±5			
0-15	±1	1-50	±5	1-50	±5			
標籤±0.2mm,說明書±1mm;彩盒及背卡±1mm. 真空罩±0.5mm,紙箱±5mm. 彩盒與背卡印刷後扎的刀模偏位公差為±2mm.				APPD	Dan	DATE	2009.11.11	NOTICE OF PROPRIETARY PROPERTY: THE INFORMATION CONTAINED HEREIN IS THE PROPRIETARY PROPERTY OF TOPSEED TECH. CORP. THE POSSESSOR AGREES TO THE FOLLOWING: (i) TO MAINTAIN THIS DOCUMENT IN CONFIDENCE (ii) NOT TO REPRODUCE OR COPY IT (iii) NOT TO REVEAL OR PUBLISH IT IN WHOLE OR PART (iv) ALL RIGHTS RESERVED
SHEET 1 OF 1				DESIGN	Shely	DATE	2009.11.11	