

NJT528WLAN USER'S MANUAL

Over View

This device is a 802.11g/b WirelessLAN Module. Inter face is SDIO Bus.

Physical Specifications

Table A-1 Physical Specification

Dimensions	W:28mm D:13.5mm H:3.5mm
Weight	1g
Input / output	SDIO/Power/antenna
Input voltage	3.3V \pm 5% /320mA (typ)
Operating temperature	-15-+55
Strage temperaturere	-30-80

Wireless specifications

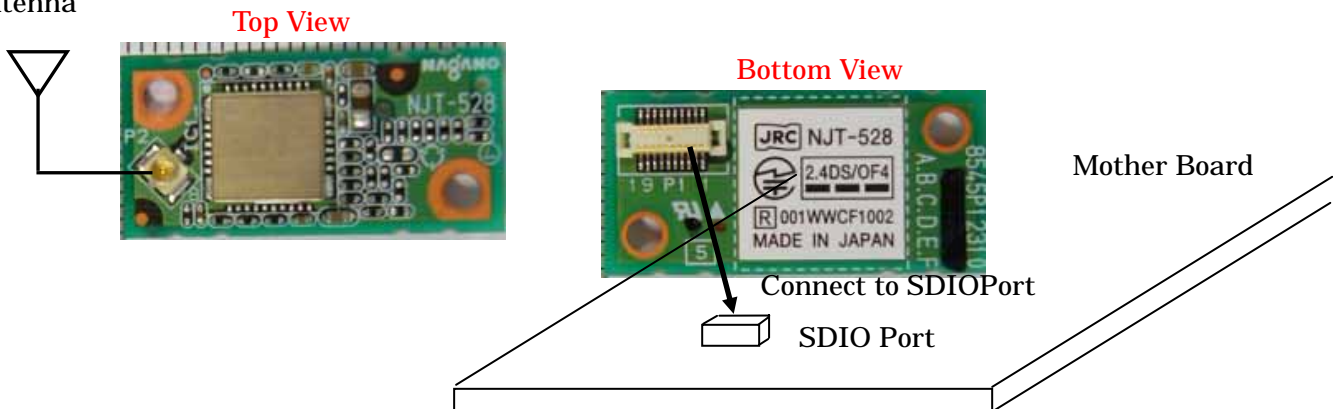
Table A-2 Wireless Specifications

Standard	IEEE802.11/b/g
Frequency modulation technique T	DS-SS(11b),OFDM(11g)
Data speed T	1,2,5.5,11,6,9,12,18,24,36,48,54Mbps
Frequency Range	2412-2462MHz
Channel	1-11
Output power	15dBm

Installation Guide

1. Module connected to SDIO Port on the mother Board in your Equipment. (see below)

Antenna



NAME	SPEC	MODEL
I/F Connector	SDIO Port	AXK5F20337YG
RF Connector	Antenna coaxial connector	U.FL-R-SMT

*We are preparing driver software.

Confirm the homepage of Microsoft to the method of installing the driver software.
You must make sure that 20cm minimum separation is maintained between users and the antenna.

Warning

Changes or modifications not expressly approved by the party responsible for compliance could void the user's authority to operate the equipment.

Regulatory Information

Compliance statement to FCC/IC

This module complies with part 15 of the FCC rules and IC RSS-210.

Operation is subject to the following conditions: (1) This device may not cause harmful interference, and (2) this device must accept any interference received, including interference that may cause undesired operation.

RF exposure compliance

1) To comply with FCC/IC RF exposure compliance requirements, a separation distance of at least 20 cm must be maintained between the antenna of this device and all persons.

2) This transmitter must not be co-located or operating in conjunction with any other antenna or transmitter.

Requirements to end product

This module must be integrated only by OEM integrators under the following conditions.

(1) OEM integrator has to be aware not provide information to the users regarding how to install or remove this module in the users manual of the end product which integrate this module. Installation by end users is strictly prohibited.

(2) Antenna

OEM integrator shall use this module without any modifications including antenna.

If module integrator uses a unique antenna, the FCC certification is required for the end product.

OEM integrator must make sure that 20cm minimum separation is maintained between users and the antenna.

(3) Co-location.

This module must not be co-located or operated in conjunction with any other antenna or transmitter. The module integrator shall obtain FCC approval for the end product, if the module is used for co-location operation.

(4) Markings

To satisfy FCC/IC exterior labeling requirements, the following text must be placed on the exterior of the end product.

Contains Module FCC ID: H5P-, IC: 6050A-

Any similar wording that expresses the same meaning may be used.

(5) Caution to user for modification

The following caution is expressed on the user's instruction manual.

The changes or modifications not expressly approved by the party responsible for compliance could void the user's authority to operate the device.

(6) Compliance statement to FCC

The following statement is expressed on the user's instruction manual.

For Class A device;

NOTE: This equipment has been tested and found to comply with the limits for a Class A digital device, pursuant to part 15 of the FCC Rules. These limits are designed to provide reasonable protection against harmful interference when the equipment is operated in a commercial environment. This equipment generates uses and can radiate radio frequency energy and, if not installed and used in accordance with the instruction manual, may cause harmful interference to radio communications. Operation of this equipment in a residential area is likely to cause harmful interference in which case the user will be required to correct the interference at his own expense.

For Class B device;

NOTE: This equipment has been tested and found to comply with the limits for a Class B digital device, pursuant to part 15 of the FCC Rules. These limits are designed to provide reasonable protection against harmful interference in a residential installation. This equipment generates uses and can radiate radio frequency energy and, if not installed and used in accordance with the instructions, may cause harmful interference to radio communications. However, there is no guarantee that interference will not occur in a particular installation. If this equipment does cause harmful interference to radio or television reception, which can be determined by turning the equipment off and on, the user is encouraged to try to correct the interference by one or more of the following measures:

- Reorient or relocate the receiving antenna.
- Increase the separation between the equipment and receiver.
- Connect the equipment into an outlet on a circuit different from that to which the receiver is connected.
- Consult the dealer or an experienced radio/TV technician for help.

(7) Compliance statement to IC

The following statement is expressed on the user's instruction manual.

Operation is subject to the following conditions: (1) This device may not cause harmful interference, and (2) this device must accept any interference received, including interference that may cause undesired operation.