



## Trimmer/Brushcutter

Model No. 51930—230000001 & Up

Model No. 51932—230000001 & Up

Model No. 51934—230000001 & Up

Model No. 51930A—230000001 & Up

Model No. 51932A—230000001 & Up

Model No. 51934A—230000001 & Up

Model No. 51936—230000001 & Up

Model No. 51938—230000001 & Up

Model No. 51940—230000001 & Up



## Operator's Manual



**WARNING:**

To reduce the risk of injury, the user must read and understand the operator's manual. Save this manual.



## READ THIS INFORMATION

Before you use your new trimmer/brushcutter, read the following helpful hints to get you started.

### Fueling

 **DANGER:**

Gasoline is extremely flammable and explosive. A fire or explosion from gasoline will burn you and others.

1. Obtain a clean container that is approved for use with gasoline.
2. Mix all of the 2-cycle oil provided with 1 US gallon of 87-octane, unleaded gasoline.
3. Fill the trimmer's gas tank carefully.

### Cold Starting vs. Warm Starting


When you restart the trimmer/brushcutter and you are not sure whether the engine is still warm, set the choke lever to **B** (Choke Open) and pull the starter cord. If the engine does not start within 5 pulls, refer to "To Start a Cold Engine" later in this manual.

### Flooded Engine

Will the engine start? If not, it may be flooded. Relax, this is easy to correct. Set the choke lever to **B** (Choke Open). Squeeze the trigger and pull the starter cord quickly for 10 to 12 pulls. If the engine does not start, refer to "Troubleshooting" later in this manual or call toll free at 1-866-574-9242 (US) or 1-866-574-9243 (Canada).



**For questions concerning your trimmer/  
brushcutter, call us toll free at  
1-866-574-9242.**

 **WARNING:** The engine exhaust from this product contains chemicals known to the State of California to cause cancer, birth defects, or other reproductive harm.

# Table of Contents

---

Introduction	4
Safety Rules	5
Symbols	6
Product Labels	7
Specifications	8
Applications	8
Features	9
Unpacking	11
Assembly	12
Connecting the Attachment to the Upper Shaft	12
Removing the Attachment from the Upper Shaft	12
Attaching the Front Handle	12
Attaching the Shoulder Strap	12
Attaching the Grass Deflector	13
Converting from Brushcutter to Trimmer	14
Converting from Trimmer to Brushcutter	15
Operation	16
Mixing the Fuel	16
Filling the Tank	16
Starting the Product	17
Stopping the Product	17
Operating the Trimmer	18
Operating the Brushcutter	19
Maintenance	20
Emissions Maintenance Schedule	20
Cleaning the Product	20
Servicing the Product	20
Replacing the Cutting Line	20
Replacing the Spool	21
Checking the Fuel Cap	22
Cleaning the Air Filter	22
Cleaning the Spark Arrester	22
Replacing the Spark Plug	23
Storing the Product	23
Transporting the Product	23
Troubleshooting	24
Warranty	26

# Introduction

---

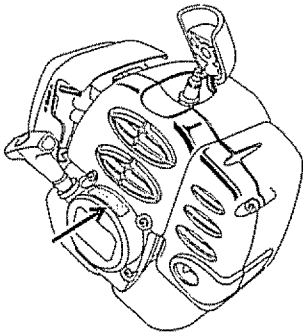
Thank you for purchasing a Toro product.

We would like for you to be completely satisfied with your new product, so feel free to contact an authorized service dealer for help with service, genuine Toro parts, or other information you may require.

Whenever you contact an authorized service dealer, always know the model and serial numbers of the product. These numbers will help the service representative provide exact information about your specific product. You will find the model and serial number decal located on the motor housing.

For your convenience, write the product model and serial numbers in the space below.

<b>Model No.</b>	
<b>Serial No.</b>	



Read this manual carefully to learn how to operate and maintain your product correctly. Reading this manual will help you and others avoid personal injury and damage to the product. Although Toro designs, produces, and markets safe, state-of-the-art products, you are responsible for using the product properly and safely. You are also responsible for training persons you allow to use the product about safe operation.

The Toro warning system in this manual identifies potential hazards and has special safety messages that help you and others avoid personal injury, even death. DANGER, WARNING, and CAUTION are signal words that identify the level of hazard. However, regardless of the hazard, be extremely careful. Two other words, "Important" and "Note," highlight information.

<b>Signal Word</b>	<b>Explanation</b>
<b>DANGER</b>	Indicates an imminently hazardous situation which, if not avoided, will result in death or serious injury.
<b>WARNING</b>	Indicates a potentially hazardous situation which, if not avoided, could result in death or serious injury.
<b>CAUTION</b>	Indicates a potentially hazardous situation which, if not avoided, may result in minor or moderate injury. It may also be used to alert against unsafe practices that may cause property damage.
<b>Important</b>	Advises you of important information or instructions vital to the operation or maintenance of the equipment.
<b>Note</b>	Advises you of additional information concerning the operation or maintenance of the equipment.

# Safety Rules

## **WARNING:**

**Read and understand all instructions.** Failure to follow all instructions may result in serious personal injury as well as damage to the product.

This product has been designed and manufactured to meet or exceed the requirements of the current version of ANSI B175.3, safety requirements for gasoline-powered string trimmers and brushcutters.

- **Physical Condition of the Operator.** Do not operate this product when tired, ill, or under the influence of alcohol, drugs, or medication.
- **Clothing Requirements.** Always wear long heavy pants, boots, and gloves. Do not wear loose clothing, jewelry, short pants, sandals, or go barefoot. Secure hair so that it is above shoulder level to avoid entanglement in moving parts.
- **Protective Accessories Requirements.** Wear eye protection marked to comply with ANSI Z87.1 standards when operating this product. Wear hearing protection during extended periods of operation.
- **Condition of Trimmer Before Use.** Inspect the product before each use. Replace damaged parts. Check for fuel leaks. Make sure all fasteners are in place and secure. Replace cutting attachment parts that are cracked, chipped, or damaged in any way. Make sure the cutting attachment is properly installed and securely fastened. Be sure the cutting attachment shield is properly attached, and in the position recommended by the manufacturer. Use only flexible, non-metallic line recommended by the manufacturer. For example, never use wire or wire-rope, which can break off and become a dangerous projectile.
- **Proper Stance.** Keep firm footing and balance. Do not overreach. Keep the cutting attachment below waist level. Keep all parts of your body away from the rotating cutting attachment and hot surfaces.
- **Exhaust Gases.** Never start or run the product inside a closed room or building; breathing exhaust fumes can cause illness or death.
- **Fueling.** Mix and pour fuel outdoors where there are no sparks and flames. Slowly remove the fuel cap only after stopping the engine. Do not smoke while fueling or mixing fuel. Wipe spilled fuel from the product. Move at least 30 ft. (9 m) away from the fueling source and site before starting the engine.
- **Work Area.** Clear the area to be cut before each use. Remove all objects, such as rocks, broken glass, nails, wire, or string, that can be thrown or become entangled in the cutting attachment. Clear the area of children, bystanders, and pets. At a minimum, keep all children, bystanders, and pets outside a 50 ft. (15 m) radius. Because there still may be a risk of injury to bystanders from thrown objects, bystanders should be encouraged to wear eye protection. If you are approached while operating the product, stop the engine and the cutting attachment.
- **Dangerous Environments.** To avoid falling, do not use the product in damp or wet locations.
- **Controlling the Product.** During carburetor adjustments the cutting attachment may spin. Therefore, you should wear protective equipment and observe all safety instructions when adjusting the carburetor. For products equipped with a clutch, be sure the cutting attachment stops turning when the engine idles. When the product is turned off, make sure the cutting attachment has stopped before setting down the product.
- **Use the Right Product.** Use the product for the intended purpose only.
- **Condition of Brushcutter Before Use.** The handles shall be mounted according to the manufacturer's instructions. Do not attach any blade to a product without proper installation of all required parts. Failure to use the proper parts can cause the blade to fly off and seriously injure the operator and/or bystanders. Discard blades that are bent, warped, cracked, broken, or damaged in any way.
- **Use the Right Equipment.** Always use the barrier bar on the front handle and the shoulder strap with the brushcutter.
- **Blade Thrust.** Blade thrust may occur when the spinning blade contacts an object that it does not immediately cut. A blade thrust can be violent enough to cause the product and/or operator to be propelled in any direction, and possibly lose control of the product. Blade thrust can occur without warning if the blade snags, stalls, or binds. This is more likely to occur in areas where it is difficult to see the material being cut.
- **Stopping the Product.** A coasting blade can cause injury while it continues to spin after the engine is stopped or throttle is released. Maintain proper control until the blade has completely stopped rotating.

**Important:** This engine is equipped with a spark arrester muffler. It is a violation of California Public Resource Code Section 4442 to use or operate this engine without a spark arrester muffler on any forest-covered, brush-covered, or grass-covered land. Other states or federal areas may have similar laws.





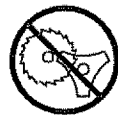



This spark ignition system complies with Canadian ICES-002.

**Save these instructions.** Refer to them frequently and use them to instruct others who may use this product. If you loan someone this product, loan these instructions also.

## Save These Instructions





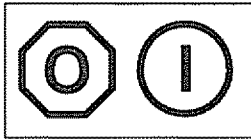
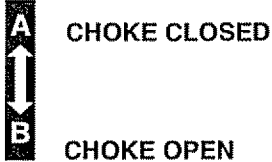

### Symbols

The following symbols are located on the product. Please study them and learn their meaning. Proper interpretation of these symbols allows you to operate the product better and safer.

Symbol	Name	Explanation
	Safety Alert	Indicates danger, warning, or caution. Attention is required in order to avoid serious personal injury. May be used in conjunction with other symbols or pictographs.
	Thrown Objects	Thrown objects can cause severe injury. Wear protective clothing and boots.
	Keep Bystanders Away	Keep all bystanders, especially children and pets, at least 50 feet (15 m) from the operating area.
	Blade Thrust	Beware of blade thrust. Blade thrust is the sudden sideways, forward, or backward motion of the product that may occur when the blade jams or catches on an object such as a sapling or a tree stump.
	No Blade	Do not install any type of blade on Model No. 51930 or 51936 and Model No. 51932 or 51938. Use only flexible, non-metallic line recommended by the manufacturer.
	Read Operator's Manual	Read the operator's manual before starting or operating this product. Failure to follow operating instructions and safety precautions in the operator's manual can result in serious injury.
	Eye and Ear Protection	Thrown objects can cause severe eye injury. Wear eye protection marked to comply with ANSI Z87.1 standards when operating this product. Wear hearing protection during extended periods of operation.
	Gasoline and Oil	Use unleaded gasoline intended for motor vehicle use with an octane rating of 87 $([R + M] / 2)$ or higher. This product is powered by a 2-cycle engine and requires pre-mixing gasoline and 2-cycle oil.

# Product Labels

Product labels and instructions are easily visible to the operator and are located near any area of potential danger. Replace damaged or lost labels.

<p>Part No. 983647-001</p> 	<p>Part No. 983648-001</p> <table border="1"> <tr> <td>1</td> <td></td> <td>set SWITCH to ON</td> <td></td> </tr> <tr> <td>2</td> <td></td> <td></td> <td>Push bulb x 8</td> </tr> <tr> <td>3</td> <td></td> <td>Choke Position A</td> <td>Set lever to A →</td> </tr> <tr> <td>4</td> <td></td> <td>Squeeze trigger Pull rope ONLY 3 times</td> <td></td> </tr> <tr> <td>5</td> <td></td> <td>Choke Position B</td> <td>Move to B →</td> </tr> <tr> <td>4</td> <td></td> <td></td> <td>Repeat until run</td> </tr> <tr> <td>6</td> <td></td> <td></td> <td>Repeat until run</td> </tr> </table>	1		set SWITCH to ON		2			Push bulb x 8	3		Choke Position A	Set lever to A →	4		Squeeze trigger Pull rope ONLY 3 times		5		Choke Position B	Move to B →	4			Repeat until run	6			Repeat until run
1		set SWITCH to ON																											
2			Push bulb x 8																										
3		Choke Position A	Set lever to A →																										
4		Squeeze trigger Pull rope ONLY 3 times																											
5		Choke Position B	Move to B →																										
4			Repeat until run																										
6			Repeat until run																										
<p>Part No. 984032-001</p> 	<p>Part No. 985102-001</p> 																												
<p>Part No. 984105-001</p> 	<p>Part No. 984240-001</p>  <p>OFF ON</p>																												
<p>Part No. 983780-001</p> 	<p>Part No. 983961-001 (Shoulder Strap)</p> 																												

## Specifications

---

Name	Specification
Engine	25.4 cc Full Crank
Durability	300 hours
Cutting Width	
Model Nos. 51930 & 51936	17 in.
Model Nos. 51932 & 51938	18 in.
Model Nos. 51934 & 51940	8 in. for brushcutter, 18 in. for trimmer
Line Size	.095 in.
Weight	
Model Nos. 51930 & 51936	12-1/2 lbs.
Model Nos. 51932 & 51938	13-1/2 lbs.
Model Nos. 51934 & 51940	13-1/2 lbs.

## Applications

---

Use this product for the following applications:

- Cutting grass, weeds, and light undergrowth (all models)
- Edging along sidewalks and driveways (all models)
- Cutting pulpy weeds, vines, and light brush (Model Nos. 51934 & 51940)



# Features

---

Before using the product, familiarize yourself with all operating features and safety requirements. However, do not let familiarity with the product make you careless.

 **WARNING:**

Exercise caution when using the product. Careless actions, for even a fraction of a second, can result in serious personal injury.

Your new product is equipped with the following features. See Figure 1.

## Common Features

### Engine

The engine is powerful and easy to start. It is effectively counterbalanced, which allows for less vibration and more durability.

### Dual Line

The dual line permits more efficient cutting than a single line.

### Grass Deflector

The grass deflector helps protect you from flying debris.

### Ergonomic Design

The design of the product provides for easy handling. It is designed for comfort and ease of grasp when operating in different positions and at different angles.

## Curved Shaft Trimmer Feature

(Model Nos. 51930 & 51936)

### Grass Barrier

The grass barrier keeps grass from getting wrapped around the drive shaft.

## Brushcutter Features

(Model Nos. 51934 & 51940)

### Blade

The Tri-Arc™ blade allows you to brushcut weeds, vines and light brush.

### Brushcutter Guard

The brushcutter guard helps protect you from the blade and from flying debris.

### Shoulder Strap

The brushcutter includes a shoulder strap that helps support the product.

### Barrier Bar

The handle on the brushcutter contains a barrier bar that restrains the operator in position and maintains a proper distance between the operator and the blade.

 **WARNING:**

Do not attempt to modify this product or create accessories not recommended for use with this product. Any such alteration or modification is misuse and could result in a hazardous condition leading to serious personal injury.

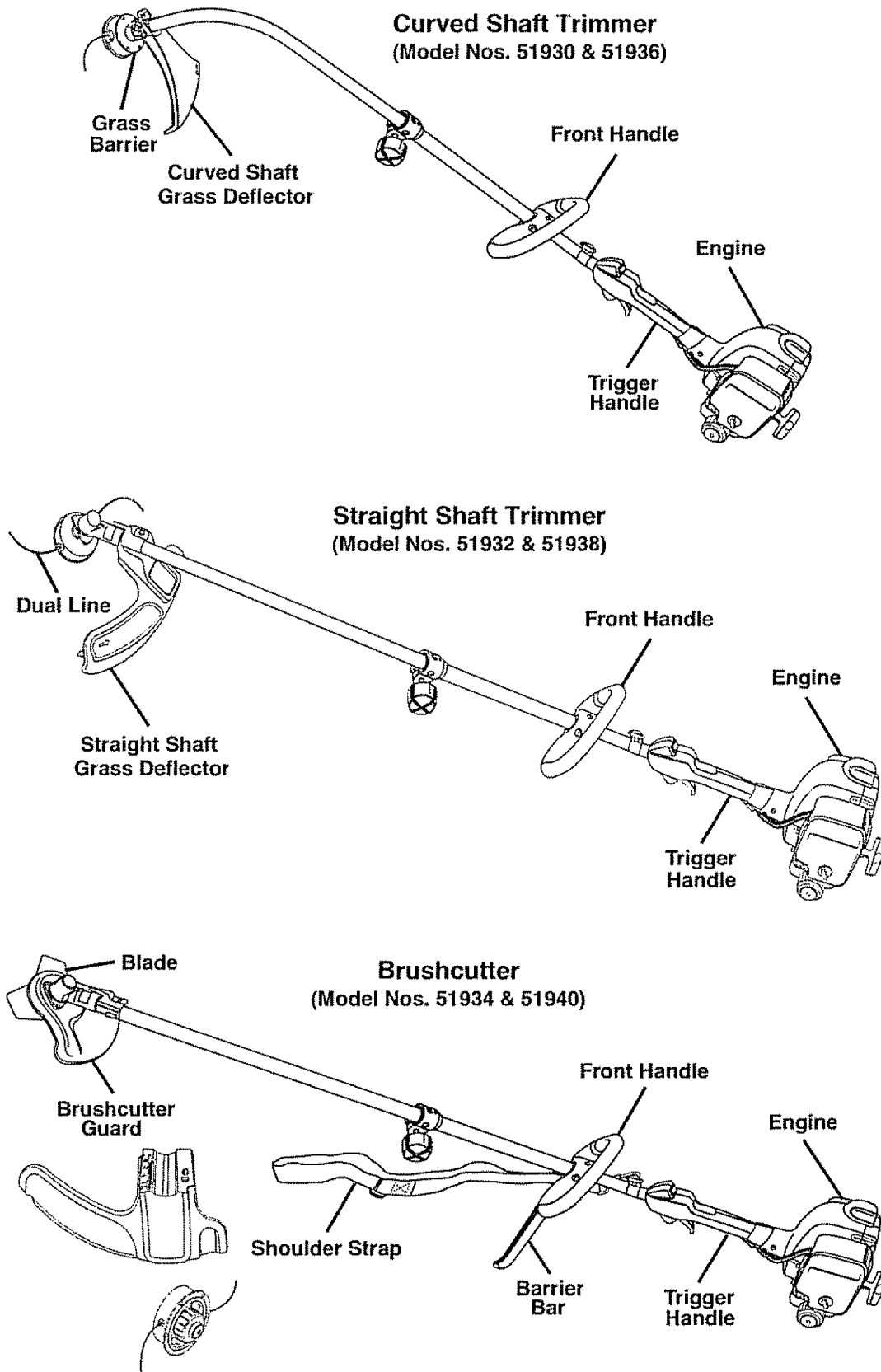


Figure 1

# Unpacking

---

## Instructions

- Carefully remove the product from the box.
- Inspect the product carefully to make sure no breakage or damage occurred during shipping.
- Do not discard the packing material until you have carefully inspected and satisfactorily operated the product.
- If any parts are damaged or missing, please call toll free 1-866-574-9242 (US) or 1-866-574-9243 (Canada) for assistance.

### **WARNING:**

If any parts are missing, do not operate the product until the missing parts are replaced. Failure to do so could result in serious personal injury.

## Packing List

Upper shaft (Power head) (1)  
Attachment shaft (Cutting head) (1)  
Handle (1)  
Curved shaft grass deflector (1) (Model Nos. 51930 & 51936)  
Straight shaft grass deflector (1) (Model Nos. 51932 & 51938 and Model Nos. 51934 & 51940)  
Grass barrier (Model Nos. 51930 & 51936)  
Hex head cap screw - 1/4-20 x 2 in. (1)  
(Model Nos. 51930 & 51936)  
Lock washer (1) (Model Nos. 51930 & 51936)  
Flat washer (1) (Model Nos. 51930 & 51936)  
Wing nut (1) (Model Nos. 51930 & 51936)  
Hex nut (Model Nos. 51930 & 51936)  
Oil  
Head locking tool (1) (Model Nos. 51934 & 51940)  
Shoulder strap (1) (Model Nos. 51934 & 51940)  
Storage cap

# Assembly

## Connecting the Attachment to the Upper Shaft

See Figure 2.

Follow these steps to connect the attachment to the upper shaft.

1. Loosen the knob by turning it counterclockwise.
2. Remove the end cap from the attachment shaft.
3. Align the button on the attachment shaft with the guide recess on the upper shaft.
4. Slide the attachment shaft into the upper shaft until the attachment shaft clicks into place.  
**Note:** You may need to turn the attachment shaft to properly align the two shafts.
5. Tighten the knob securely by turning it clockwise.

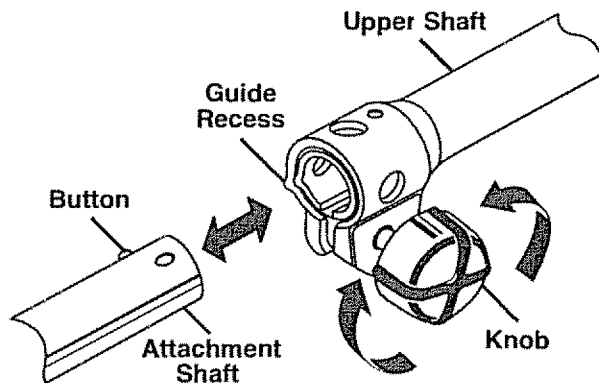


Figure 2

## Removing the Attachment from the Upper Shaft

See Figure 2.

Follow these steps to remove the attachment from the upper shaft.

1. Loosen the knob by turning it counterclockwise.
2. Push the button while pulling out the attachment.

## Attaching the Front Handle

See Figure 3.

Follow these steps to attach the front handle.

1. Remove the slotted Torx™ screws to separate the handle from the handle support.
2. Press the handle onto the top of the upper shaft, no less than 10 in. (25.4 cm) from the center of the trigger handle, angling the handle toward the trigger handle.

3. Place the handle along the upper shaft to a position that allows for comfortable operation.
4. Place the handle support on the bottom of the tube on the opposite side of the front handle.
5. Secure the handle with the slotted Torx™ screws.

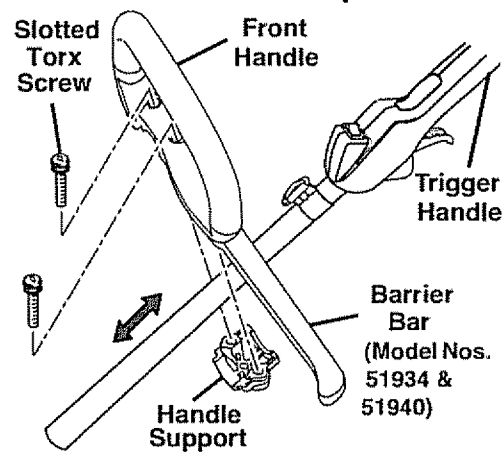


Figure 3

## Attaching the Shoulder Strap

Model Nos. 51934 & 51940

See Figure 4.

Follow these steps to attach the shoulder strap.

1. Connect the latch on the strap to the hanger bracket.
2. Adjust the strap to a comfortable position.

**Note:** To quickly release the product from the shoulder strap, sharply pull the quick release tab.

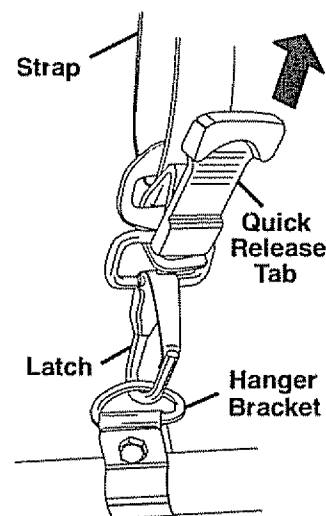


Figure 4

## Attaching the Grass Deflector

Attaching the grass deflector differs depending on the type of trimmer: curved shaft or straight shaft.

### **WARNING:**

The line cutting blade on the grass deflector is sharp. Avoid contact with the blade. Failure to avoid contact can result in serious personal injury.

**Note:** To protect the operator, always be sure to attach the grass deflector.

### To Attach the Curved Shaft Grass Deflector Model Nos. 51934 & 51940

See Figure 5.

Follow these steps to attach the curved shaft grass deflector.

1. Press the grass deflector onto the bottom of the curved shaft as shown.
2. Lift the grass barrier up slightly.
3. Insert the hex head cap screw through the grass deflector, bracket, and grass barrier.
4. Place the flat washer and lock washer on the hex head cap screw.
5. Place the wing nut or hex nut on the hex head cap screw and turn clockwise to secure.

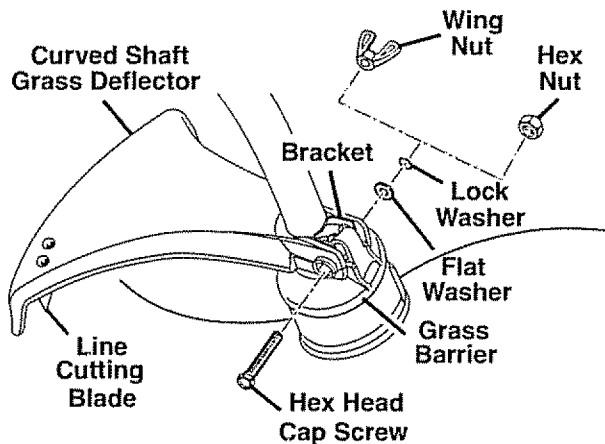


Figure 5

### To Attach the Straight Shaft Grass Deflector Model Nos. 51932 & 51938 and Model Nos. 51934 & 51940

See Figure 6.

Follow these steps to attach the straight shaft grass deflector.

1. Remove the slotted hex head screw from the grass deflector.
2. Insert the tab on the mounting bracket in the slot on the grass deflector.

3. Align the screw hole in the mounting bracket with the screw hole in the grass deflector.
4. Insert the slotted hex head screw through the mounting bracket and into the grass deflector.
5. Tighten the screw securely.

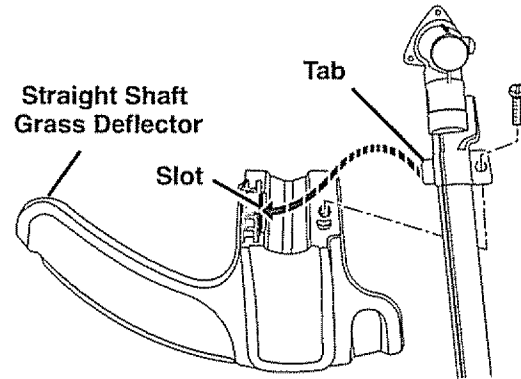


Figure 6

## Converting from Brushcutter to Trimmer Model Nos. 51934 & 51940

To convert from the brushcutter to the trimmer, remove the blade, remove the brushcutter guard, attach the grass deflector, and install the trimmer head assembly.

### To Remove the Blade and Brushcutter Guard

See *Figure 7* and *Figure 8*.

Follow these steps to remove the blade and brushcutter guard.

1. Align the slot in the flanged washer with the slot in the gear head.
2. Place the head locking tool through the slot in the flanged washer and gear head.
3. Remove the blade nut by turning it clockwise (left-handed threads).
4. Remove the cupped washer and the blade.



#### **WARNING:**

Be careful when handling the blade. It is sharp. Failure to heed this warning can result in serious personal injury.

5. Remove the flanged washer from the gear shaft and retain it for the trimmer head assembly installation.
6. Remove the three screws securing the brushcutter guard.
7. Remove the brushcutter guard.

**Note:** Store the brushcutter parts together for future use.

### To Attach the Grass Deflector

Refer to "To Attach the Straight Shaft Grass Deflector" earlier in this manual.

### To Install the Trimmer Head Assembly

See *Figure 9*.

Follow these steps to install the trimmer head assembly.

1. Align the slot in the flanged washer with the slot in the gear head.
2. Insert the head locking tool through the flanged washer and gear head.
3. Install the drive shaft and trimmer head assembly onto the gear shaft by turning the drive shaft counterclockwise (left-handed threads).
4. Tighten the drive shaft securely.

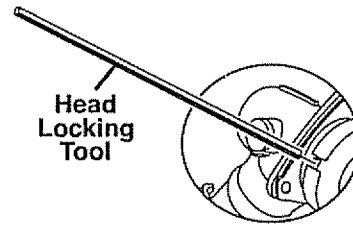


Figure 7

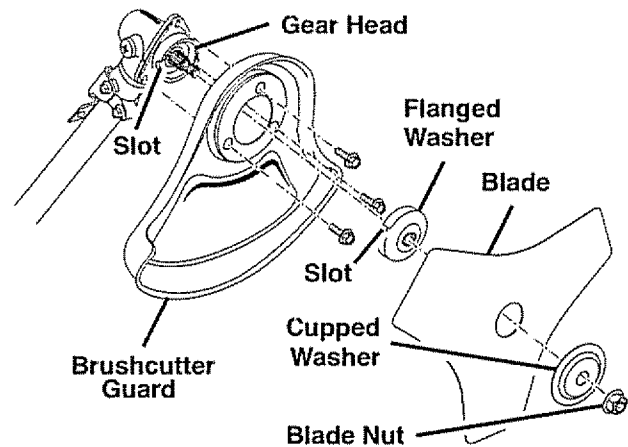


Figure 8

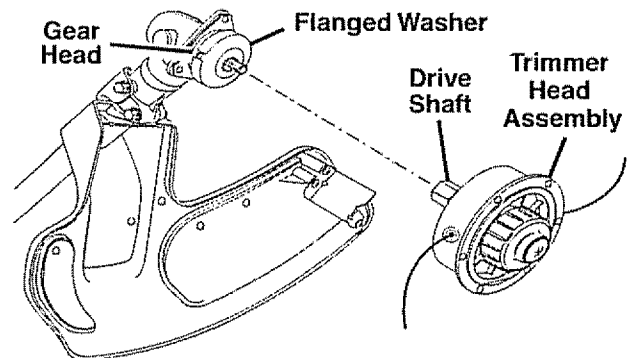


Figure 9

## Converting from Trimmer to Brushcutter Model Nos. 51934 & 51940

To convert from the trimmer to the brushcutter, remove the trimmer head assembly, remove the grass deflector, attach the brushcutter guard, and install the blade.

### To Remove the Trimmer Head Assembly and Grass Deflector

See Figure 10 and Figure 11.

Follow these steps to remove the trimmer head assembly and grass deflector.

1. Align the slot in the flanged washer with the slot in the gear head.
2. Insert the head locking tool through the flanged washer and gear head.
3. Remove the drive shaft and trimmer head assembly by turning the drive shaft clockwise (left-handed threads).
4. Remove the flanged washer and retain it for the blade installation.
5. Remove the screw securing the grass deflector.
6. Remove the grass deflector.

**Note:** Store the trimmer head assembly parts together for future use.

### To Attach the Brushcutter Guard

See Figure 12.

**Note:** To protect the operator, always be sure to attach the brushcutter guard.

Follow these steps to attach the brushcutter guard.

1. Place the guard onto the gear head as shown.
2. Insert the three hex head screws from the bottom through the guard into the gear head.
3. Tighten the screws securely and torque to 40-50 in.lb.

### To Install the Blade

See Figure 13.

Follow these steps to install the blade.

1. Place flanged washer over the gear shaft with the hollow side toward the brushcutter guard.
2. Center the blade on the flanged washer, making sure the blade fits flat and the raised hub goes through the hole in the blade.
3. Install the cupped washer with the raised center away from the blade.
4. Place the blade nut onto the gear shaft.
5. Insert the head locking tool through the flanged washer and gear head.

6. Install the blade nut by turning it counterclockwise (left-handed threads).
7. Tighten the blade nut and torque to 120 in. lb. minimum (finger tight plus 1/2 turn).

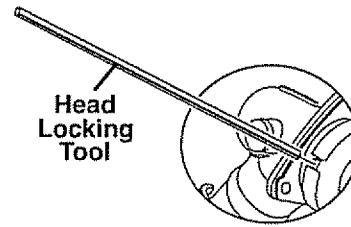


Figure 10

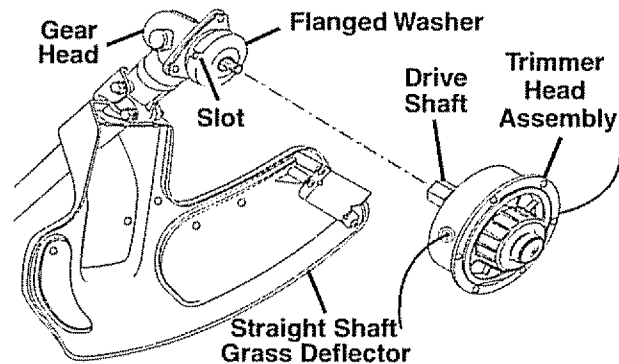


Figure 11

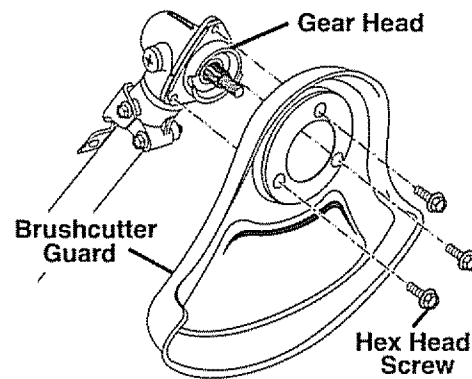


Figure 12

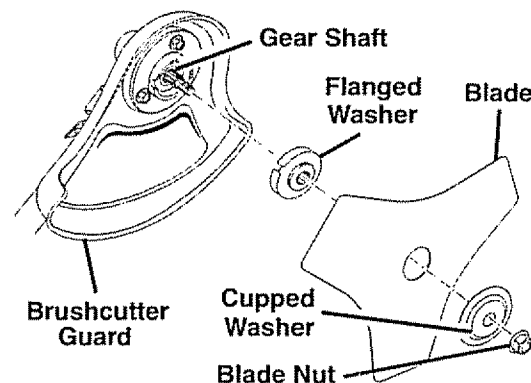


Figure 13

# Operation

## Mixing the Fuel

### DANGER:

Gasoline is extremely flammable and explosive. A fire or explosion from gasoline will burn you and others.

This product is powered by a 2-cycle engine and requires pre-mixing gasoline and 2-cycle oil. The oil mix should be 50:1, using oil that meets or exceeds JASO-FC specifications.

Follow these steps to mix the fuel.

1. Obtain a clean container that is approved for use with gasoline.
2. Mix the 2-cycle engine oil provided with unleaded gasoline in the container, according to the instructions on the oil carton.

**Important:** This engine is certified to operate on unleaded gasoline intended for automotive use with an octane rating of 87 ( $(R + M) / 2$ ) or higher. Do not use automotive oil or 2-cycle outboard oil. Store the container out of the reach of children.

### 50:1 Gasoline to Oil Mixing Chart

Gasoline	Oil
1/2 US gallon	1.3 oz.
1 US gallon	2.6 oz.
2 US gallons	5.2 oz.
1 liter	20 ml
2 liters	40 ml
3 liters	60 ml
4 liters	80 ml
5 liters	100 ml



## Filling the Tank

### WARNING:

Always stop the engine before filling the tank. Never add fuel to a machine with a running or hot engine. Move at least 30 ft. (9 m) away from the refueling site before starting the engine. Do not smoke while filling the tank.

Follow these steps to fill the tank.

1. Clean the surface around the fuel cap to prevent contamination.
2. Loosen the fuel cap by turning it counterclockwise.
3. Pour the fuel mixture carefully into the tank.
4. Clean and inspect the gasket.  
**Note:** Replace the fuel cap if the gasket is damaged.
5. Install the fuel cap and tighten it by turning it clockwise.

### WARNING:

Check for fuel leaks. If you find any leaks, correct the problem before using the product.

6. Wipe spilled fuel from the product.
7. Move at least 30 ft. (9 m) away before starting the product.  
**Note:** It is normal for the engine to emit smoke during use.



**⚠ WARNING:**

The product may throw objects during operation, causing injury to the operator or to bystanders. Always wear suitable eye protection, long heavy pants, and boots while operating the product.

### Starting the Product

See Figure 14a, Figure 14b, and Figure 15.

Starting the product differs depending on whether the engine is cold or warm. Refer to the label on the air filter cover.

#### To Start a Cold Engine

Follow these steps to start a cold engine.

1. Lay the product on a flat, bare surface.
2. Toggle the switch to the **I** (ON) position.
3. Push the primer bulb approximately eight times.
4. Set the choke lever to **A** (Choke Closed).
5. Press the lock-off button and squeeze the trigger.
6. Pull the starter cord three times.
7. Set the choke lever to **B** (Choke Open).
8. Press the lock-off button and squeeze the trigger.
9. Pull the starter cord.

**Note:** If the product starts, let it run for 30 seconds before using it. If the product does not start, repeat the previous steps.

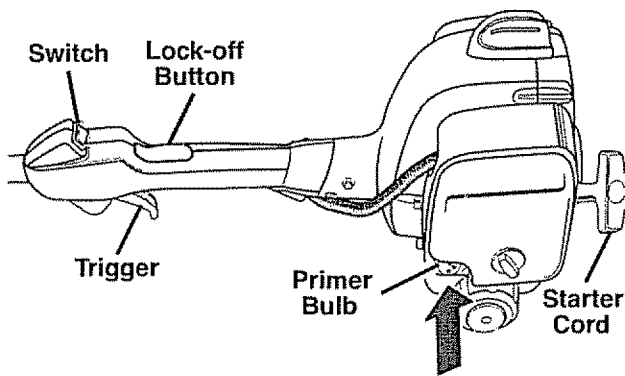
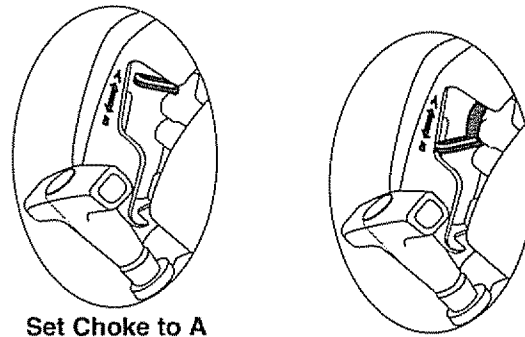


Figure 14a



Set Choke to B

Figure 14b

#### To Start a Warm Engine

Follow these steps to start a warm engine.

1. Lay the product on a flat, bare surface.
2. Toggle the switch to the **I** (ON) position.
3. Push the primer bulb up to eight times.
4. Set the choke lever to **B** (Choke Open).
5. Do not squeeze the trigger.
6. Pull the starter cord.

**Note:** If the product does not start, repeat the previous steps.

#### Stopping the Product

See Figure 15.

Follow these steps to stop the product.

1. Release the trigger.
2. Toggle the switch to the **O** (OFF) position.

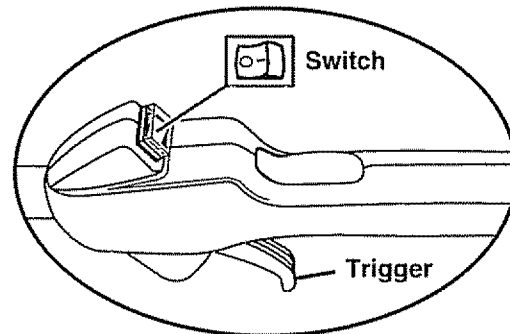


Figure 15

## Operating the Trimmer

Operating the trimmer differs, depending on whether you are using the curved shaft trimmer or the straight shaft trimmer.

### To Operate the Curved Shaft Trimmer (Model Nos. 51930 & 51936)

See Figure 16a.

Follow these steps to operate the curved shaft trimmer.

1. Start the trimmer.
2. Hold the trimmer at waist level with your right hand on the trigger handle and your left hand on the front handle.
3. Place the product on the right side of your body with the engine behind and away from your body.
4. Trim grass and weeds in a right-to-left motion with the line parallel to the ground.



Figure 16a

### To Operate the Straight Shaft Trimmer (Model Nos. 51932 & 51938)

See Figure 16b.

Follow these steps to operate the straight shaft trimmer.

1. Start the trimmer.
2. Hold the trimmer at waist level with your right hand on the trigger handle and your left hand on the front handle.
3. Place the product on the right side of your body with the engine behind and away from your body.
4. Trim grass and weeds in a left-to-right motion with the line parallel to the ground.



Figure 16b

### To Advance the Cutting Line

See Figure 16c.

Follow these steps to advance the cutting line.

1. Start the trimmer.
2. Tap the retaining cap lightly on the ground while the motor is running. The line will only advance with the engine at full throttle. **Do not hold the retaining cap on the ground.**

**Note:** The line cutting blade on the grass deflector will cut the line to the proper length.

**Note:** To help prevent line tangle, tap only once to lengthen the line. If additional line is required, wait a few seconds before retapping the retaining cap. Do not allow the line to wear too short. Keep the cutting line at full length.

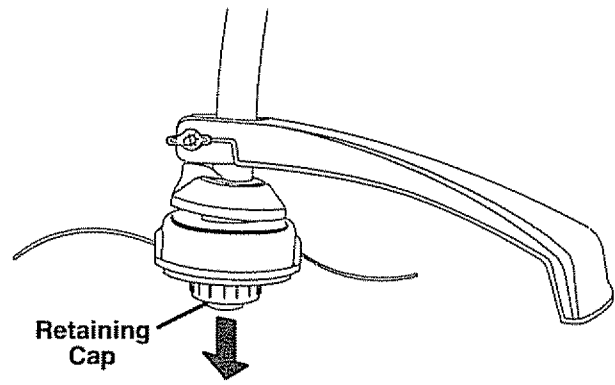


Figure 16c

## Operating the Brushcutter (Model Nos. 51934 & 51940)

See Figure 17.

Follow these steps to operate the brushcutter.

1. Start the brushcutter.
2. Hold the brushcutter at waist level with your right hand (arm extended) on the trigger handle and your left hand on the front handle.
3. Place the product on the right side of your body with the engine behind and away from your body.
4. Brushcut weeds and vines in a right-to-left motion with the blade parallel to the ground.



Figure 17

# Maintenance

## Emissions Maintenance Schedule

Maintenance, replacement, or repair of the emission control device and systems may be performed by any non-road engine repair establishment or individual.

Emission Part	Inspect before each use	Clean every 5 hours	Replace every 25 hours or yearly	Clean every 25 hours or yearly
Fuel Tank Assembly (Includes Fuel Lines, Fuel Cap, and Fuel Filter)	X			
Air Filter		X	X	
Spark Arrester				X
Spark Plug			X	

### WARNING:

When replacing parts other than engine or emissions parts, Use only Toro replacement parts. Use of any other parts may create a hazard or cause product damage.

## Cleaning the Product

- Stop the product before cleaning.
- Clean the exterior of the product with a damp cloth.
- Avoid using solvents when cleaning plastic parts. Most plastics are susceptible to damage from various types of commercial solvents and may be damaged by their use.
- Wipe or scrape the trimmer head and spool area when they accumulate dirt or clippings.
- Scrape debris away from air intake vents on both sides of the motor housing.

### CAUTION:

Keeping air intake vents free of grass and debris prevents motor overheating and possible failure.

**Note:** Depending on the type of fuel used, the type and amount of oil used, and/or your operating conditions, the exhaust port and muffler may become blocked with carbon deposits. If you notice a power loss with your gas powered tool, you may need to remove these deposits to restore performance. We highly recommend that only qualified service technicians perform this service.

## Servicing the Product

- Check and tighten all fasteners. If any part is damaged or lost, repair it or replace it.

## Replacing the Cutting Line

See Figure 18 and Figure 19.

### WARNING:

Use of line other than the proper monofilament cutting line could cause personal injury.

Follow these steps to replace the cutting line.

1. Stop the trimmer.

### WARNING:

Make sure the trimmer head stops rotating. Contact with a rotating trimmer head could cause personal injury.

2. Remove the spark plug boot. See Figure 22.
3. Remove the retaining cap.
4. Remove the empty spool.
5. Clean the trimmer head thoroughly. Inspect the trimmer head for any damaged or worn parts.
6. Hold the spool with the spring positioned upward.
7. Insert the end of the new line into the hole in the upper threaded area of the spool.
8. Wind the line around the spool as indicated by the arrows on the top of the spool until the line reaches the edge of the spool. **Do not wind the line beyond the edge of the inner ring.**
9. Secure the line temporarily by pushing it into one of the slotted tabs on the spool.
10. Measure six inches of line from the slotted tab and cut the line at that point.

11. Repeat the process for the lower threaded area of the spool, winding the line and securing it in the slotted tab opposite the first secured line.
12. Insert the lines into the eyelets on the trimmer head.
13. Place the spool on the drive shaft.

**Note:** To install the spool, you may need to rotate it slightly. If the line should tangle or break at the eyelet, remove the spool, refeed the line through the eyelets, and reassemble the spool on the trimmer.

14. Release the lines from the tabs by sharply pulling each line.
15. Push down on the spool to reveal the threads inside the drive shaft.
16. Thread the retaining cap on the drive shaft.
17. Secure the retaining cap.

**WARNING:**

An improperly installed retaining cap or spool could fly off the trimmer. Contact with a thrown retaining cap or spool could cause personal injury.

18. Replace the spark plug boot. *See Figure 22.*

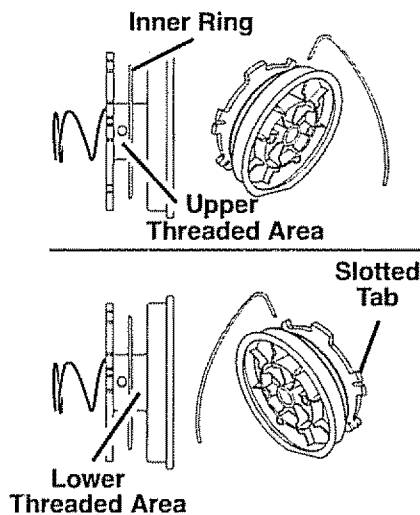


Figure 18

## Replacing the Spool

*See Figure 19.*

**Note:** For best performance, use only Toro spools (Part No. 88046). The spool may wear during normal use of the line advance feature and may require occasional replacement. Replacement spools are available through your Toro retailer.

Follow these steps to replace the spool.

1. Stop the trimmer.

**WARNING:**

Make sure the trimmer head stops rotating when you release the trigger. Contact with a rotating trimmer head could cause personal injury.

2. Remove the spark plug boot. *See Figure 22.*
3. Remove the retaining cap by turning as indicated by the arrow on the cap.
4. Remove the empty spool.
5. Clean the trimmer head thoroughly. Inspect the trimmer head for any damaged or worn parts.
6. Remove the lines from the slotted tabs on the spool and unwind approximately six inches.
7. Secure the lines temporarily by pushing them into the slotted tabs on the spool.
8. Insert the lines of the new spool into the eyelets on the trimmer head.
9. Place the spool on the drive shaft.

**Note:** To install the spool, you may need to rotate it slightly.

**Note:** If the line should tangle or break at the eyelet, remove the spool, refeed the line through the eyelets, and reassemble the spool on the trimmer.

10. Release the lines from the tabs by sharply pulling each line.
11. Push down on the spool to reveal the drive shaft.
12. Thread the retaining cap on the drive shaft.
13. Secure the retaining cap.
14. Replace the spark plug boot. *See Figure 22.*

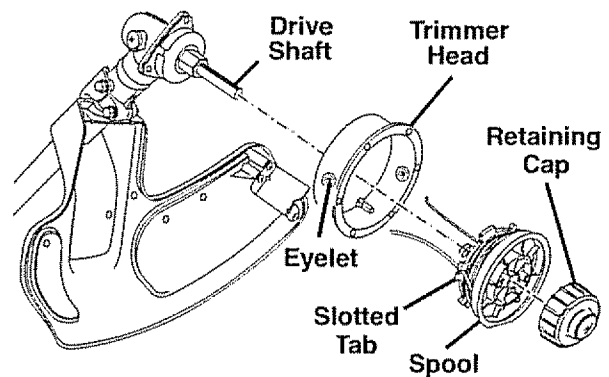


Figure 19

## Checking the Fuel Cap

### **WARNING:**

A leaking fuel cap is a fire hazard and must be replaced immediately.

The fuel cap contains a non-serviceable filter and check valve. A clogged fuel filter causes poor engine performance. If performance improves when the fuel cap is loosened, the check valve may be faulty or the filter may be clogged. Replace the fuel cap if necessary.

## Cleaning the Air Filter

See Figure 20 and Figure 22.

Clean the air filter as indicated by the maintenance schedule.

Follow these steps to clean the air filter.

1. Stop the trimmer.

### **WARNING:**

Make sure the trimmer head stops rotating when you release the trigger. Contact with a rotating trimmer head could cause personal injury.

2. Remove the spark plug boot.
3. Loosen the air filter cover by turning the knob counterclockwise.
4. Remove the air filter cover.
5. Remove the air filter.
6. Clean the air filter with warm soapy water.
7. Rinse the air filter and let it dry completely.
8. Work two drops of oil into the air filter.
9. Replace the air filter (fits only one way).
10. Replace the air filter cover.
11. Tighten the air filter cover by turning the knob clockwise.
12. Replace the spark plug boot.

**Note:** Replace the air filter (Part No. 88048) as indicated by the maintenance schedule.

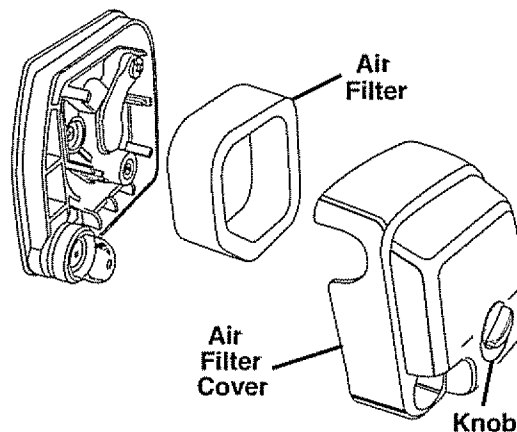


Figure 20

## Cleaning the Spark Arrester

See Figure 21

Follow these steps to clean the spark arrester.

1. Locate the spark arrester through the hole on the muffler-side engine cover.
2. Remove the spark arrester by pulling it out with needle-nosed pliers.
3. Clean the spark arrester with a small wire brush.
4. Replace the spark arrester.

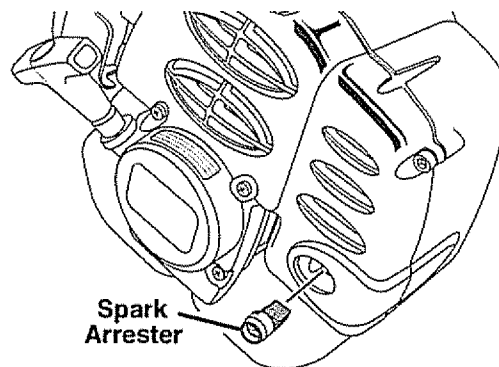


Figure 21

## Replacing the Spark Plug

See Figure 22.

Model Nos. 51930, 51932, & 51934 use a NGK BPMR7A or Champion RCJ-6Y spark plug.

Model Nos. 51930A, 51932A, 51934A, 51936, 51938, & 51940 use a NGK CMR7A spark plug. Use an exact replacement and replace annually.

Follow these steps to replace the spark plug.

1. Remove the spark plug boot.
2. Loosen the spark plug by turning it counterclockwise with a socket.
3. Remove the spark plug.
4. Hand thread the new spark plug, turning it clockwise.
5. For Model Nos. 51930, 51932: Tighten with a socket and torque to 170 in.lb. minimum, 190 in.lb. maximum. **Do not over tighten.**
6. For Model Nos. 51930A, 51932A, 51934A, 51936, 51938, & 51940: Tighten with a socket and torque to 87 in.lb. minimum, 104 in.lb. maximum. **Do not over tighten.**

### CAUTION:

Be careful not to cross-thread the spark plug. Cross-threading will seriously damage the product.

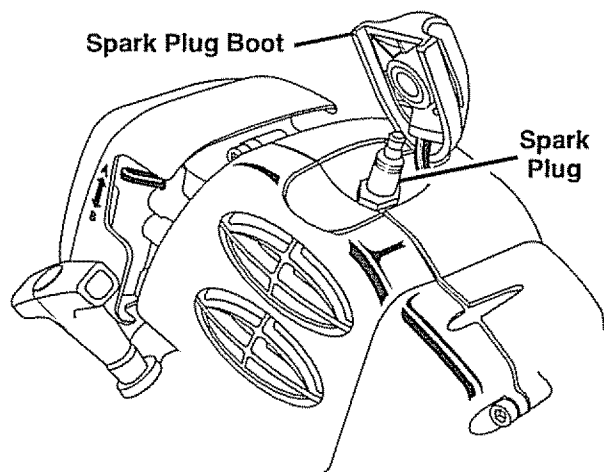


Figure 22

## Storing the Product

Storing the product differs depending on the amount of time it will be in storage.

**Note:** If the product includes another attachment, place the storage cap on the end of the attachment shaft and hang it up to store.

### To Store the Product Short Term

Follow these steps to store the product short term.

1. Clean all foreign material from the product.
2. Store the product in a well-ventilated place that is inaccessible to children.

### To Store the Product Long Term

If you do not intend to use the product for more than one month, follow the storage procedures below.

Follow these steps to store the product long term.

1. Drain all of the fuel from the tank into a container approved for gasoline.
2. Run the engine until it stops.
3. Clean all foreign material from the product.
4. Store the product in a well-ventilated place that is inaccessible to children.

**Note:** Keep the product away from corrosive agents such as garden chemicals and de-icing salts.

**Important:** Abide by all federal and local regulations for the safe storage and handling of gasoline.

## Transporting the Product

Follow these steps to transport the product.

1. Drain the fuel mixture into a container that is approved for use with gasoline.
2. Carry the product by the front handle.
3. Secure the product in your vehicle or on a trailer.

# Troubleshooting

Problem	Possible Cause	Solution
Engine will not start	<ol style="list-style-type: none"> <li>1. Switch set to the <b>O</b> (OFF) position.</li> <li>2. No spark</li> <li>3. No fuel</li> <li>4. Flooded engine</li> <li>5. Starter cord pulls harder now than when new</li> </ol>	<ol style="list-style-type: none"> <li>1. Set switch to the <b>I</b> (ON) position.</li> <li>2. Remove the spark plug. Reattach the spark plug cap and lay the spark plug on the metal cylinder. Pull the starter cord and watch for a spark at the spark plug tip. If there is no spark, repeat the test with a new spark plug.</li> <li>3. Push primer bulb until the bulb is full of fuel. If the bulb does not fill, the primary fuel delivery system is blocked. If the primer bulb fills, the engine may be flooded. (See next item.)</li> <li>4. Remove the spark plug. Turn the product so that the spark plug hole is aimed at the ground. Make sure the choke lever is set to <b>B</b> and pull the starter cord 10 to 14 times. This clears excess fuel from the engine. Clean and reinstall the spark plug. With the trigger fully depressed, pull the starter cord 3 times. If the engine does not start, set the choke lever to <b>A</b> and follow normal starting instructions. If the engine still fails to start, repeat the procedure with a new spark plug.</li> <li>5. Contact an authorized service dealer.</li> </ol>
Engine does not reach full speed and emits excessive smoke	<ol style="list-style-type: none"> <li>1. Check oil fuel mixture</li> <li>2. Air filter is dirty</li> <li>3. Spark arrestor screen is dirty</li> </ol>	<ol style="list-style-type: none"> <li>1. Use fresh fuel and the correct 2-cycle oil mix.</li> <li>2. Clean the air filter.</li> <li>3. Clean the spark arrestor.</li> </ol>
Line will not advance when using automatic line lengthening	<ol style="list-style-type: none"> <li>1. Line welded to itself</li> <li>2. Not enough line on the spool</li> <li>3. Line worn too short</li> <li>4. Line tangled on spool</li> <li>5. Engine speed too slow</li> </ol>	<ol style="list-style-type: none"> <li>1. Lubricate with silicone spray.</li> <li>2. Install more line</li> <li>3. Pull line while alternately pressing down on and releasing the retaining cap.</li> <li>4. Remove line from spool and rewind.</li> <li>5. Advance line at full throttle.</li> </ol>
Retaining cap hard to turn when using automatic line lengthening	Screw threads are dirty or damaged	Clean the threads and lubricate with grease. If this does not solve the problem, replace the retaining cap.
Grass wraps around the trimmer head assembly and the attachment shaft	<ol style="list-style-type: none"> <li>1. Cutting tall grass at ground level</li> <li>2. Operating the product at part throttle</li> </ol>	<ol style="list-style-type: none"> <li>1. Cut tall grass from the top down.</li> <li>2. Operate the product at full throttle.</li> </ol>
Oil drips from muffler	<ol style="list-style-type: none"> <li>1. Operating the product at part throttle</li> <li>2. Check oil/fuel mixture</li> <li>3. Air filter is dirty</li> </ol>	<ol style="list-style-type: none"> <li>1. Operate the product at full throttle.</li> <li>2. Use fresh fuel and the correct 2-cycle oil mix.</li> <li>3. Clean the air filter.</li> </ol>





# Warranty

---

## OWT Industries, Inc. Gas Trimmer Products Limited Warranty

OWT INDUSTRIES, INC. warrants to the original retail purchaser that this Gas Trimmer Product is free from defects in material and workmanship and agrees to repair or replace, at our option, any defective Product free of charge within these time periods from the date of purchase:

- Two years for Gas Trimmer Products, if the Product is used for personal, family, or household use;
- 90 days, if Gas Trimmer Products are used for any other purpose, such as commercial or rental.
- Two years for emissions control systems on Gas Trimmer Products used for any purpose, as provided below.

Except as provided in the Emission Control Warranty Statement, this warranty extends to the original retail purchaser only and commences on the date of original retail purchase.

### Instructions for Obtaining Warranty Service

Any part of the Product manufactured or supplied by OWT Industries, Inc. and found in the reasonable judgement of OWT, Industries, Inc. to be defective in material or workmanship will be repaired or replaced by an authorized service dealer for this product without charge for parts and labor. To locate your nearest authorized service dealer for this product, contact us at Toll free 1-866-574-9242 US and Toll free 1-866-574-9243 Canada.

The Product including any defective part must be returned to an Authorized Service Dealer for this product within the warranty period. The expense of delivering the Gas Trimmer Product to the service dealer for warranty work and the expense of returning it back to the owner after repair or replacement will be paid for by the owner. OWT Industries, Inc.'s responsibility in respect to claims is limited to making the required repairs or replacements and no claim of breach of warranty shall be cause for cancellation or rescission of the contract of sale of any Product. Proof of purchase will be required by the dealer to substantiate any warranty claim. All warranty work must be performed by a service dealer authorized by OWT Industries, Inc. to service this product.

This warranty does not cover any Gas Trimmer Product that has been subject to misuse, neglect, negligence, or accident, or that has been operated in any way contrary to the operating instructions as specified in the Operator's Manual. This warranty does not apply to any damage to the Gas Trimmer Product that is the result of improper maintenance or to any Gas Trimmer Product that has been altered or modified so as to adversely affect the products operation, performance or durability or that has been altered or modified so as to change its intended use. The warranty does not extend to repairs made necessary by normal wear or by the use of parts or accessories which are either incompatible with the Gas Trimmer Product or adversely affect its operation, performance or durability.

In addition, this warranty does not cover the following (except to the extent covered by the emissions control warranty set forth below):

- A. Tune-ups – Spark Plugs, Carburetor Adjustments, Filters
- B. Wear Items – Bump Knobs, Outer Spools, Cutting Line, Inner Reels, Starter Pulley, Starter Ropes, Drive Belts

OWT Industries, Inc. reserves the right to change or improve the design of any Gas Trimmer Product without assuming any obligation to modify any product previously manufactured.

ALL IMPLIED WARRANTIES ARE LIMITED IN DURATION TO THE STATED WARRANTY PERIOD. ACCORDINGLY, ANY SUCH IMPLIED WARRANTIES INCLUDING MERCHANTABILITY, FITNESS FOR A PARTICULAR PURPOSE, OR OTHERWISE, ARE DISCLAIMED IN THEIR ENTIRETY AFTER THE EXPIRATION OF THE APPROPRIATE TWO-YEAR OR NINETY DAY WARRANTY PERIOD. OWT INDUSTRIES INC.'S OBLIGATION UNDER THIS WARRANTY IS STRICTLY AND EXCLUSIVELY LIMITED TO THE REPAIR OR REPLACEMENT OF DEFECTIVE PARTS AND OWT DOES NOT ASSUME OR AUTHORIZE ANYONE TO ASSUME FOR THEM ANY OTHER OBLIGATION. SOME STATES DO NOT ALLOW LIMITATIONS ON HOW LONG AN IMPLIED WARRANTY LASTS, SO THE ABOVE LIMITATION MAY NOT APPLY TO YOU.

OWT INDUSTRIES INC. ASSUMES NO RESPONSIBILITY FOR INCIDENTAL, CONSEQUENTIAL OR OTHER DAMAGES INCLUDING, BUT NOT LIMITED TO EXPENSE OF RETURNING THE GAS TRIMMER PRODUCT TO A GAS TRIMMER AUTHORIZED SERVICE DEALER AND EXPENSE OF DELIVERING IT BACK TO THE OWNER, MECHANIC'S TRAVEL TIME, TELEPHONE OR TELEGRAM CHARGES, RENTAL OF A LIKE PRODUCT DURING THE TIME WARRANTY SERVICE IS BEING PERFORMED, TRAVEL, LOSS OR DAMAGE TO PERSONAL PROPERTY, LOSS OF REVENUE, LOSS OF USE OF THE PRODUCT, LOSS OF TIME, OR INCONVENIENCE. SOME STATES DO NOT ALLOW THE EXCLUSION OR LIMITATION OF INCIDENTAL OR CONSEQUENTIAL DAMAGES, SO THE ABOVE LIMITATION OR EXCLUSION MAY NOT APPLY TO YOU.

This warranty gives you specific legal rights, and you may also have other rights, which vary, from state to state.

This product is manufactured under license from The Toro Company by OWT Industries, Inc.

## FEDERAL AND CALIFORNIA EMISSION CONTROL WARRANTY STATEMENT

### YOUR WARRANTY RIGHTS AND OBLIGATIONS

OWT Industries, Inc. specifically warrants the emissions control system of this Gas Trimmer Product in accordance with the California and Federal legal requirements described below:

OWT Industries, Inc. warrants to the original retail purchasers and subsequent purchasers that the nonroad engine included with this product has been designed, built and equipped, at the time of sale, to comply with applicable EPA regulations, and that the engine is free from defects in material and workmanship that would cause it to fail to conform with the applicable regulations for its warranty period.

The following CARB statement only applies to model numbers 51936, 51938, and 51940.

The California Air Resources Board (CARB), and OWT Industries, Inc. are pleased to explain the Emission Control System Warranty on your nonroad or small off-road engine. In California, new small off-road engines must be designed, built and equipped to meet the state's stringent anti-smog standards. OWT Industries, Inc. must (and does) warrant the emission control system on your nonroad or small off-road engine for the period of time listed above provided there has been no abuse, neglect, or improper maintenance of your nonroad or small off-road engine.

Your emission control system may include parts such as the carburetor or fuel injection system, the ignition system, the catalytic converter. Also included may be hoses, belts, and connectors and other emission related assemblies.

Where a warrantable condition exists, OWT Industries, Inc. will repair your nonroad or small off-road engine at no cost to you, including diagnosis (if the diagnostic work is performed at an authorized dealer), parts, and labor.

#### **Manufacturer's Warranty Coverage**

The 1995 and later small off-road engines are warranted for two years in California from original date of purchase. If any emission-related part on your engine is defective, the part will be repaired or replaced by OWT Industries, Inc. free of charge.

#### **Owner's Warranty Responsibilities**

As the non-road or small off-road engine owner, you are responsible for the performance of the required maintenance listed in your owner's manual. OWT Industries, Inc. recommends that you retain all receipts covering maintenance on your non-road or small off-road engine, but OWT Industries, Inc. cannot deny warranty solely for the lack of receipts or for your failure to ensure the performance of all scheduled maintenance.

As the non-road or small off-road engine owner, you should however, be aware that OWT Industries, Inc. may deny you warranty coverage if your non-road or small off-road engine or a part has failed due to abuse, neglect, improper maintenance or unapproved modifications.

You are responsible for presenting your nonroad or small off-road engine to an OWT Industries, Inc distribution center or authorized service center as soon as a problem exists. The warranty repairs should be completed in a reasonable amount of time, not to exceed 30 days.

If you have any questions regarding your warranty rights and responsibilities, you should contact an OWT Industries, Inc., Customer Representative at 1-866-574-9242 (US) or 1-866-574-9243 (Canada)

Emission-related warranted parts for this product include: Carburetor, Spark Plug, Ignition, Air Filter and Fuel Filter.

#### **Maintenance Requirements**

The owner is responsible for the performance of the required maintenance as defined by OWT Industries, Inc. in the owner's manual.

#### **Limitations**

The Emission Control Systems Warranty shall not cover any of the following:

- (a) repair or replacement required because of misuse or neglect, lack of required maintenance, repairs improperly performed or replacements not conforming to OWT Industries, Inc. specifications that adversely affect performance and/or durability, and alterations or modifications not recommended or approved in writing by OWT Industries, Inc., and
- (b) replacement of parts and other services and adjustments necessary for required maintenance at and after the first scheduled replacement point.

The Emissions Compliance Period referred to on the Emissions Compliance label indicates the number of operating hours for which the engine has been shown to meet Federal emission requirements. Category C=50 hours, B=125 hours, and A=300 hours.



### **Customer Service Information**

If your product requires service or maintenance, contact your nearest authorized service dealer. To locate your nearest authorized service dealer for this product, contact us toll free at 1-866-574-9242 (US) or 1-866-574-9243 (Canada).

### **OWT Industries, Inc.**

P.O. Box 35  
Highway 8  
Pickens, SC 29671  
USA